

2001 JEEP CHEROKEE (XJ)

PARTS CATALOG

ILLUSTRATION AND TEXT
(CHASSIS - BODY - TRIM)

May 2002

SUPERSEDES
October 2001
ENGLISH



Jeep

CHRYSLER • PLYMOUTH • DODGE • JEEP

THE MOPAR DIFFERENCE

INDEX TO INFORMATION PAGES

The use of this Parts Catalog and the arrangement of information herein is explained in the General Information Section as indexed below.

Abbreviations	INF-13
Alphabetic Index	INF-10
Body Code Plate Interpretation	INF-12
Catalog Groups - Titles & Contents	INF-2
How to Use This Catalog and Locate Parts	INF-8
Illustration Index	INF-10
Illustration Numbering Index	INF-9
Index.....	INF-1
Logical Illustration Index.....	INF-3
Logical Illustrations	INF-9
Numerical Index	INF-10
Page Numbering.....	INF-9
Part Packages	INF-10
Standard Parts.....	INF-10
Symbols Used in this Catalog.....	INF-9
VIN Plate Decoding Information	INF-11

CATALOG GROUPS - TITLES & CONTENT

Group	Content
001	Component Parts for Mopar Accessories
002	Front Suspension & Drive
003	Rear Axle
004	Parking Brake
005	Service Brakes
006	Clutch
007	Cooling
008	Electrical
009	Engine Mounting
011	Exhaust
013	Frames and Bumpers
014	Fuel
016	Propeller Shafts and U-Joints
017	Rear Suspension
019	Steering
022	Wheels, Covers and Jacks
024	Air Conditioning & Heater
025	Emission Systems
08A	Instrument Panel and Radios and Consoles
2.5LD	Engine 2.5L Four Cylinder (Turbo Diesel)
21P	Speedometer Pinions
231	Transfer Case Model 231
23D	Wiper/Lock Cylinder and Keys
242	Transfer Case Model 242
3550	Manual Transmission 5 Speed
4.0L	Engine 4.0L Six Cylinder
AW4	Automatic Transmission 4 Speed
DXJ	Doors and Related Parts
EXJ	Exterior Ornamentation
IXJ	Interior Trim
SXJ	Body Sheet Metal Except Doors

LOGICAL ILLUSTRATION INDEX

Group	Logical Illustration	Logical Illustration Name
001	100	Audio & Electronics
001	1000	4 - Wheeling & Off Road
001	200	Carriers & Cargo Hauling
001	300	Driving Convenience
001	400	Exterior Appearance
001	500	Exterior Protection
001	600	Fog Lights & Electrical
001	900	Security
002	100	Front Suspension & Strut
002	200	Front Axle Drive Shafts
002	300	Front Axle Housing
002	400	Front Axle Assembly
002	600	Front Axle Differential
003	100	Rear Axle
003	200	Differential and Housing
003	300	Rear Axle Vent
003	400	Rear Axle Shafts
004	100	Parking Brake Lever and Cables
005	100	Front Brakes
005	200	Rear Brakes
005	300	Power Brake Booster
005	400	Brake Master Cylinder
005	500	Brake Lines and Hoses
005	600	Brake Pedals
006	100	Clutch
006	200	Clutch Housing
006	300	Clutch Controls
006	400	Clutch Pedals
007	100	Radiator and Related Parts
007	200	Water Pump and Related Parts
007	300	Tank, Coolant Engine
007	400	Pulleys and Related Parts
007	500	Drive Belts

007	600	Lines, Transmission Oil Cooler
007	700	Grilles
008	100	Starters
008	1000	Battery Tray and Cables
008	1100	Lamps - Front, Rear and Courtesy
008	1200	Wiring-Engine & Related Parts
008	1300	Wiring-Headlamp to Dash
008	1400	Wiring-Instrument Panel
008	1500	Wiring-Body & Accessories
008	1600	Wiring Repair
008	1900	Spark Plugs-Cables-Coils
008	200	Alternators
008	400	Modules
008	500	Relays
008	600	Sensors
008	700	Single Board Engine Controllers
008	800	Switches
008	900	Horns
009	100	Engine Mounting
011	100	Exhaust System
011	200	Heat Shields
013	200	Front Bumper and Fascia
013	300	Rear Bumper and Fascia
013	600	Trailer Tow
014	100	Tank, Fuel
014	1000	Speed Control
014	1100	Accelerator Pedal
014	200	Fuel Tank Filler Tube
014	300	Fuel Lines
014	400	Fuel Rail
014	500	Fuel Pump and Sending Unit
014	600	Throttle Body
014	700	Throttle Controls
014	800	Air Cleaner
016	100	Propeller Shaft
017	100	Rear Suspension

019	100	Steering Wheel
019	200	Steering Column
019	300	Steering Gear
019	400	Steering Linkage
019	500	Power Steering Pump
019	700	Power Steering Hoses
022	100	Wheels and Hardware
022	200	Wheel Covers and Center Caps
022	300	Jack Stowage
022	400	Spare Tire Stowage
024	100	Air Conditioner and Heater Units
024	200	Air Conditioner and Heater Plumbing
024	300	Air Conditioner and Heater Controls
024	400	Air Conditioning Compressor
024	500	Air Conditioning Compressor Mounting
024	600	Air Ducts and Outlets
025	100	Emission Labels
025	200	EGR System
025	300	Vacuum Canister
025	400	Emission Harness
08A	100	Instrument Panel
08A	200	Instrument Panel Cluster
08A	300	Radio, Antenna, and Speakers
08A	400	Consoles
2.5LD	200	Cylinder Head
2.5LD	300	Cylinder Block
2.5LD	400	Crankshaft, Piston and Drive Plate
2.5LD	500	Camshafts & Valves
2.5LD	600	Timing Belt and Cover
2.5LD	700	Engine Oiling
2.5LD	800	Manifolds
2.5LD	900	Crankcase Ventilation
21P	100	Speedometer Pinions
231	100	Transfer Case Assembly
231	1200	Gearshift Controls
231	200	Case and Related Parts

231	400	Gear Train
231	900	Fork and Rails
23D	100	Lock Cylinders and Keys
23D	200	Windshield Wiper and Washer Systems
23D	300	Rear Wiper and Washer System
242	100	Transfer Case Assembly
242	1200	Gearshift Controls
242	200	Case and Related Parts
242	400	Gear Train
242	900	Fork and Rails
3550	100	Transmission Assembly
3550	1200	Gearshift Controls
3550	200	Case and Extension
3550	400	Gear Train
3550	900	Fork and Rails
4.0L	200	Cylinder Head
4.0L	300	Cylinder Block
4.0L	400	Crankshaft, Piston and Torque Converter
4.0L	500	Camshafts & Valves
4.0L	600	Timing Belt and Cover
4.0L	700	Engine Oiling
4.0L	800	Manifolds
4.0L	900	Crankcase Ventilation
AW4	100	Transmission Assembly
AW4	1200	Gearshift Controls
AW4	200	Case and Extension
AW4	300	Oil Pump
AW4	400	Gear Train
AW4	500	Bands, Reverse and Kickdown
AW4	700	Valve Body
DXJ	100	Front Door
DXJ	200	Rear Door
DXJ	500	Exterior Mirror
DXJ	600	Weatherstrips and Seals
EXJ	100	Nameplates
EXJ	200	Moldings and Ornamentation

EXJ	300	Decals and Tapestripes
IXJ	100	Headliner and Visor
IXJ	1000	Lift Gate Trim
IXJ	200	Moldings, Scuff Plates
IXJ	300	Carpet and Tonneau Cover
IXJ	400	Door Trim Panels-Front and Sliding
IXJ	500	Front Seats and Attaching Parts
IXJ	600	Rear Seats and Attaching Parts
IXJ	700	Seat Belts-Front and Rear
IXJ	800	Adjusters, Covers, Shields, and Risers
SXJ	1100	Roof Panels
SXJ	1300	Liftgate Panel
SXJ	1600	Luggage Rack
SXJ	200	Floor Pans
SXJ	300	Plugs
SXJ	400	Front Fenders
SXJ	500	Hood & Hood Release
SXJ	600	Cowl and Dash Panel
SXJ	700	Glass and Rear View Mirror
SXJ	800	Aperture Panel
SXJ	900	Quarter Panel and Pillar

HOW TO USE THIS CATALOG AND LOCATE PARTS

This Catalog is divided into Part Groups in which illustrations for parts of a similar function and/or location are published. The Group contents listing on the next page shows the type of parts contained in each group. Tabs are provided or available to separate each group.

Several methods may be used to locate a specific part:

- Option 1: From the Group Contents listing. Select the group which would most logically contain the part to be found. Open the catalog to the beginning of that group. The first page of the group will contain the part. Turn to the selected illustration and locate the part by reviewing the illustration item numbers and associated text information following the illustration.
- Option 2: If the "noun" name of the part you seek is known, an alphabetical index of Nouns and illustration titles is provided to assist in finding the part. Several keys may be found in this index.

RESERVOIR, Power Steering Oil Pump Group 19	Group Reference
ALTERNATOR All Engines 8-210	Illustration Reference
BELT, Front Seat Imdl/710/3	Illustration/Item Reference

Group by Model _____	}
Illustration Number _____	
Item _____	

- Option 3: If the part number is known but the applications need to be determined, refer to the numerical index. This index shows the group, illustration number and each part listed in the catalog. Multiple references mean the part is listed more than once.
- Option 4: Other options such as group identifiers exist in these catalogs. For Example, Group 23 Body has been broken in sections, i.e. 23A Sheet Metal now is S(model code). Example: SGS for model GS. Group 23C Doors now is D(model code) ex. DGS. Group 23 Exterior Ornamentation now is E(model code). This same logic applies to the Interior Trim Section (ex. IGS).

The Group 9 Engine sections in prior parts catalogs had been numbered 9A, 9B, 9C, etc. There was no real meaning to this numbering scheme. In this new MACS produced catalog the group numbering scheme is as follows: 2.5LD means 2.5 Liter Diesel Engine; 2.0L means 2.0 Liter Four Cylinder Gas Engine; 3.3L6T means 3.3 Liter Six Cylinder Transverse Mounted Engine; and 3.8L means 3.8 Liter Six Cylinder Engine. Also note that Engine Mounting parts are located in Group 9.

PAGE NUMBERING

Two-part page numbers are used throughout this catalog. The first part of the page designation indicates one major group or section. The second part indicates the actual page number in the group. For example:

2-1 indicates Group 2, Front Suspension, Page 1
3-4 indicates Group 3, Axle Rear, Page 4

In the maintenance of the Loose Leaf Parts Catalog Revision Service, it may become necessary to add information beyond the capacity of the page. In this event, an "A" page will be used. For example, if it becomes necessary, because of change, to add several part numbers to page 2-1 and space does not permit the addition, you will be given Page 2-1A. Page 2-1A should be filed immediately following Page 2-1.

Figure and Item Numbers are also commonly used to identify locations in the Catalog, ie., 14-910/8 refers to Group 14, illustration 910, Item Number 8. Illustration Numbers are always ascending sequential within the Groups.

SYMBOLS USED IN THIS CATALOG

The Following symbols are commonly used with Part Number and Quantity information in this Catalog:

AR - Indicates the quantity required may vary or is to be determined by the user.

PAR - Indicates "Paint As Required"

BLANK - Indicates "All Condition"

- = "Not Illustrated"

LOGICAL ILLUSTRATIONS

Refer to Illustration in front of each group. This will give assistance to as how each group is broken down and what Specific Illustration should be referenced.

ILLUSTRATION NUMBERING INDEX

Illustration numbers in this Catalog are Group standards. This indicates group and consistent content. EXAMPLE: 8-100 is a Logical Illustration for Starters. 8-101 to 8-199 are Specific Illustrations used for Starters for all Catalogs. 8-200 will contain Alternators for all Catalogs and so on. Always refer to group index in front of each group.

ILLUSTRATION INDEX

This index is a compilation of catalog parts description data with reference to illustrations, figures and key numbers as shown:

Fender ie; Model.....Group: S(Model)Illustration 410
(Fender is located in Sheet Metal Section (S) in Illustration 410)

The first page of each group contains a listing of all illustrations and group breakdown within that group. Also refer to illustrations alphabetically listed in information section.

ALPHABETIC INDEX

This index is a compilation of catalog parts description data with a reference to the location of the item by Group, Figure, and Key Number as shown in the following example:

Housing, w/Pump.....Group 7 Illustration 210 Item 10
(Housing, w/Pump.....7-210/10)

The index will be expanded progressively as data is added to computer files. To locate a part by name refer to the Alphabetical Index. This index indicates the group and illustration and item number where the part is located. Alphabetical Index can be found in INF section of this Catalog.

NUMERICAL INDEX

A listing of Part Numbers contained in the catalog. The numbers are in numerical sequence with reference to the group and Illustration and item number where the part is located.

PARTS PACKAGES

Service Parts Packages, containing all parts needed for specific service operation, are listed in their respective groups with related parts. The listing will show adaptability and model application.

STANDARD PARTS

Important attaching standard parts such as bolts, nuts, etc, are generally listed in the text of the respective major parts groups.

VIN PLATE DECODING INFORMATION

1	2	3	4	5	6	7	8	9	10	11	12 thru 17
Country	Make	Vehicle Type	Other	Line	Series	Body Style	Engine	Check Digit	Model Year	Assy. Plant	Sequence No.

The following table interprets the VIN Plate positions shown above.

Position	Interpretation	Codes = Description
1	Country of Origin	1 = U.S.
2	Make	J = Jeep
3	Vehicle type	4 = Multipurpose Passenger Vehicle Less Side Air Bags
4	GVWR & Pass. Safety	E=1361-1814 kg (3001-4000 lbs) F=1815-2267 kg (5001-6000 lbs) G 2268-2721 kg (5001-6000 lbs) H=2722-3175 kg (6001-7000 lbs) J=3176-3628 kg (8001-9000 lbs) K = 3629-4082 kg (8001-9000 lbs) L=4083-4535 kg (9001-10000 lbs) M=4536-6350 kg (10001-14000 lbs)
5	Vehicle Line	F = Cherokee 4x4 (LHD) J = Cherokee 4x4 (RHD) BUX W/ABB T = Cherokee 4x2 (LHD)
6	Series	2 = SE 4 = Sport 5 = Classic 6 = Limited avec MZG 6 = Country sans MZG
7	Body Style	6 = 4 Door Sedan
8	Engine	S = 4.0L Power Tech (ERH) M = 2.5L Diesel Turbo (ENC)
9	Check Digit	
10	Model Year	1 = 2001
11	Assembly Plant	L = Toledo #1
12 thru 17	Vehicle Build Sequence	Model Year Assembly Sequence

BODY CODE PLATE INTERPRETATION

The Body Code Plate is located on the Left Front Side Shield or Wheel Housing or the Upper Radiator Support. The Plate contains 7 rows of data. The bottom 3 rows are reserved for the specific information as depicted below. Starting at the fourth row (following the reserved portion), other Sales Codes used to build a specific vehicle are listed in the ascending order by ALPHA sequence.

1	2	3	4	5	6	7	8	9	10	11	12	13	14	15	16	17	18	19	20	21
22	23	24	25	26	27	28	29	30	31	32	33	34	35	36	37	38	39			
40	41	42	43	44	45	46	47	48	49	50	51	52	53	54	55	56	57	58	59	60

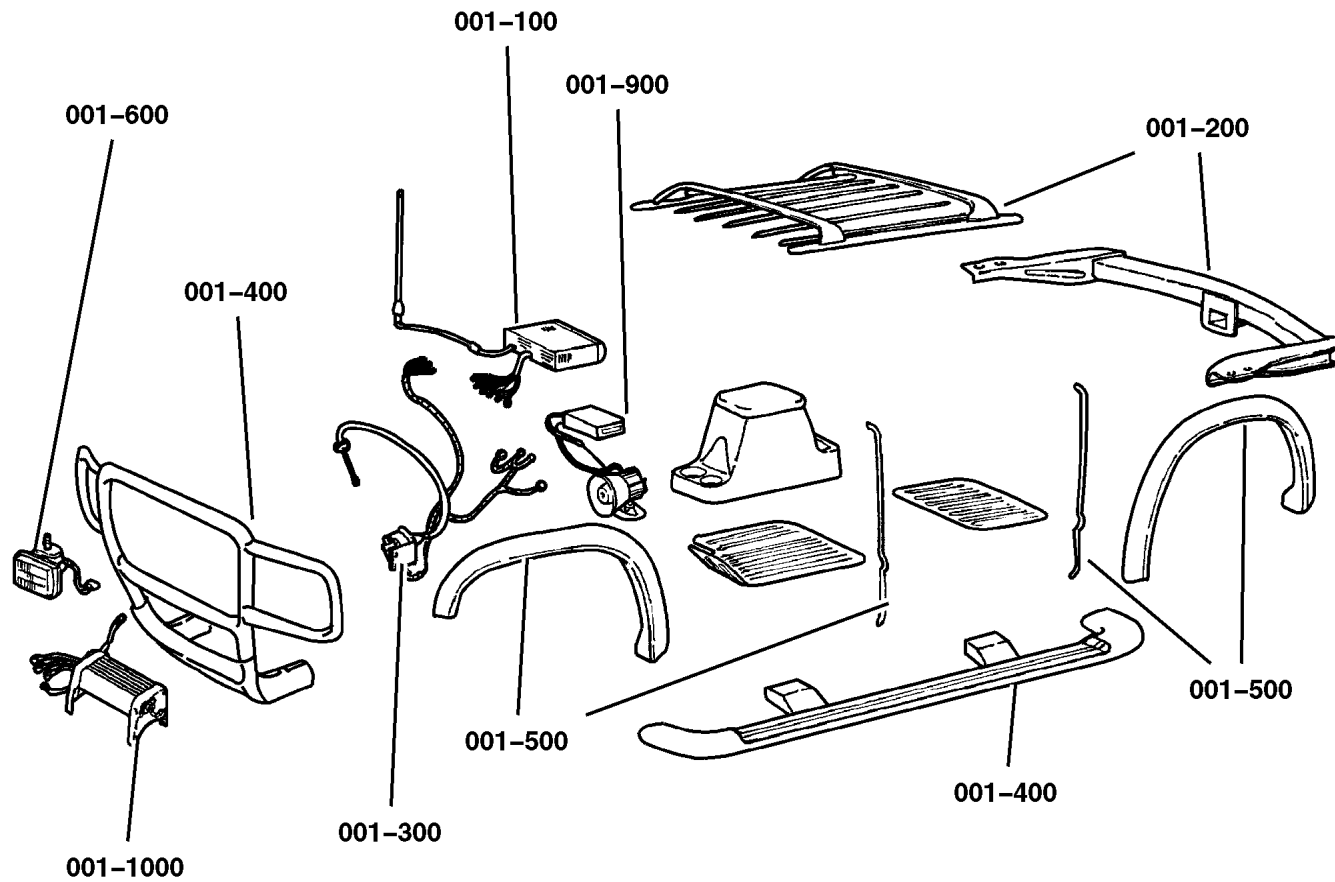
1-12	VEHICLE ORDER NUMBER
13-15	VINYL ROOF CODE/DOOR COMBO CODES
16-18	VEHICLE SHELL CAR LINE
19	PRICE CLASS
20-21	BODY TYPE
22-24	PAINT PROCEDURE
25-28	PRIMARY PAINT
29-32	SECONDARY PAINT
33-36	INTERIOR TRIM CODE
37-39	ENGINE CODES
40-42	TRANSMISSION CODES
43	MARKET CODES
44-46	VEHICLE IDENTIFICATION NUMBER (VIN) For definition of the Elements and the individual position see Vin Plate Defined.

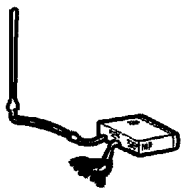
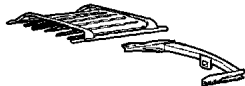

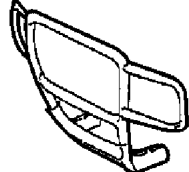

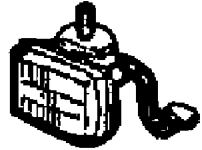

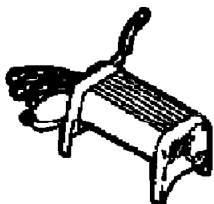
ABBREVIATIONS

A/C	Air Conditioner
ABS	Anti-Lock Brakes System
AR	As Required
ATC	Automatic Temperature Control
AWD	All Wheel Drive
BUX	Built Up Export
CV	Constant Velocity
DOHC	Dual (or Double) OverHead Cam
EFI	Electronic Fuel Injection
EGR	Exhaust Gas Recirculation
ECU	Electronic Control Unit
FWD	Front Wheel Drive
HEX	HEXagon
HCU	Hydraulic Control Unit
I/D	Inside Diameter
L	Liter
LED	Light Emitting Diode
MAP	Manifold Absolute Pressure
MPH	Miles Per Hour
O/D	Outside Diameter
P/S	Power Steering
PSI	Pounds per Square Inch
PSF	Pounds per Square Foot
PRNODL	Park, Reverse, Neutral, Overdrive, Drive, Low
PRNDL	Park, Reverse, Neutral, Drive, Low
PTO	Power Take Off
RFI	Radio Frequency Interference
RPM	Revolutions Per Minute
RTV	Room Temperature Vulcanizer (sealant)
T/BODY	Throttle BODY
U/BODY	Under BODY
SOHC	Single OverHead Cam
PAR	Paint As Required

Group - 001

Component Parts for Mopar Accessories



001-100 Audio & Electronics 	001-200 Carriers & Cargo Hauling 	001-300 Driving Convenience 	001-400 Exterior Appearance 
001-500 Exterior Protection 	001-600 Fog Lights & Electrical 	001-900 Security 	001-1000 4 - Wheeling & Off Road 

GROUP 1 - Component Parts for Mopar Accessories

Illustration Title

Group-Fig. No.

Audio & Electronics

Player Kit - CD Changer - 6 Disc	Fig. 001-110
Player Kit - CD Changer - 12 Disc	Fig. 001-112
Install Kit - CD Changer - Trunk	Fig. 001-130

Carriers & Cargo Hauling

Bike Carrier - Hitch Mount	Fig. 001-210
Bike Carrier - Roof Mount	Fig. 001-212
Bike Carrier - Roof Mount Upright Style	Fig. 001-214
Carrier Kit - Canoe	Fig. 001-220
Carrier Kit - Water Sports	Fig. 001-225
Carrier Kit - Ski- Hitch Mount	Fig. 001-230
Carrier Kit - Ski (Two Pair) Roof Mount	Fig. 001-232
Carrier Kit - Ski (Four Pair) Roof Mount	Fig. 001-234
Carrier Kit - Ski (Six Pair) Roof Mount	Fig. 001-236
Tire Carrier - Roof Mount	Fig. 001-240
Luggage Rack Package - Roof	Fig. 001-260
Utility Bar Package - Roof	Fig. 001-262
Carrier Kit - Multipurpose	Fig. 001-270
Carrier Kit - Basket Type	Fig. 001-272
Luggage Carrier - Roof Mount	Fig. 001-274
Trailer Tow Kit	Fig. 001-280
Wiring Kit -Trailer Tow	Fig. 001-285
Cooler Kit - Transmission Oil	Fig. 001-290

Driving Convenience

Speed Control Package	Fig. 001-310
Mounting Kit - Cellular Phone	Fig. 001-320

Exterior Appearance

Brush Guard	Fig. 001-410
Running Board Kit	Fig. 001-430
Step Kit - Side Molded	Fig. 001-432
Step Kit - Side Tubular	Fig. 001-434

Exterior Protection

Shield Kit	Fig. 001-510
Skid Plate - Front	Fig. 001-520
Skid Plate - Transfer Case	Fig. 001-522
Skid Plate - Fuel Tank	Fig. 001-524

Fog Lights & Electrical

Light Kit - Fog	Fig. 001-610
Installation Kit - Fog	Fig. 001-616
Heater Kit Engine Block	Fig. 001-620



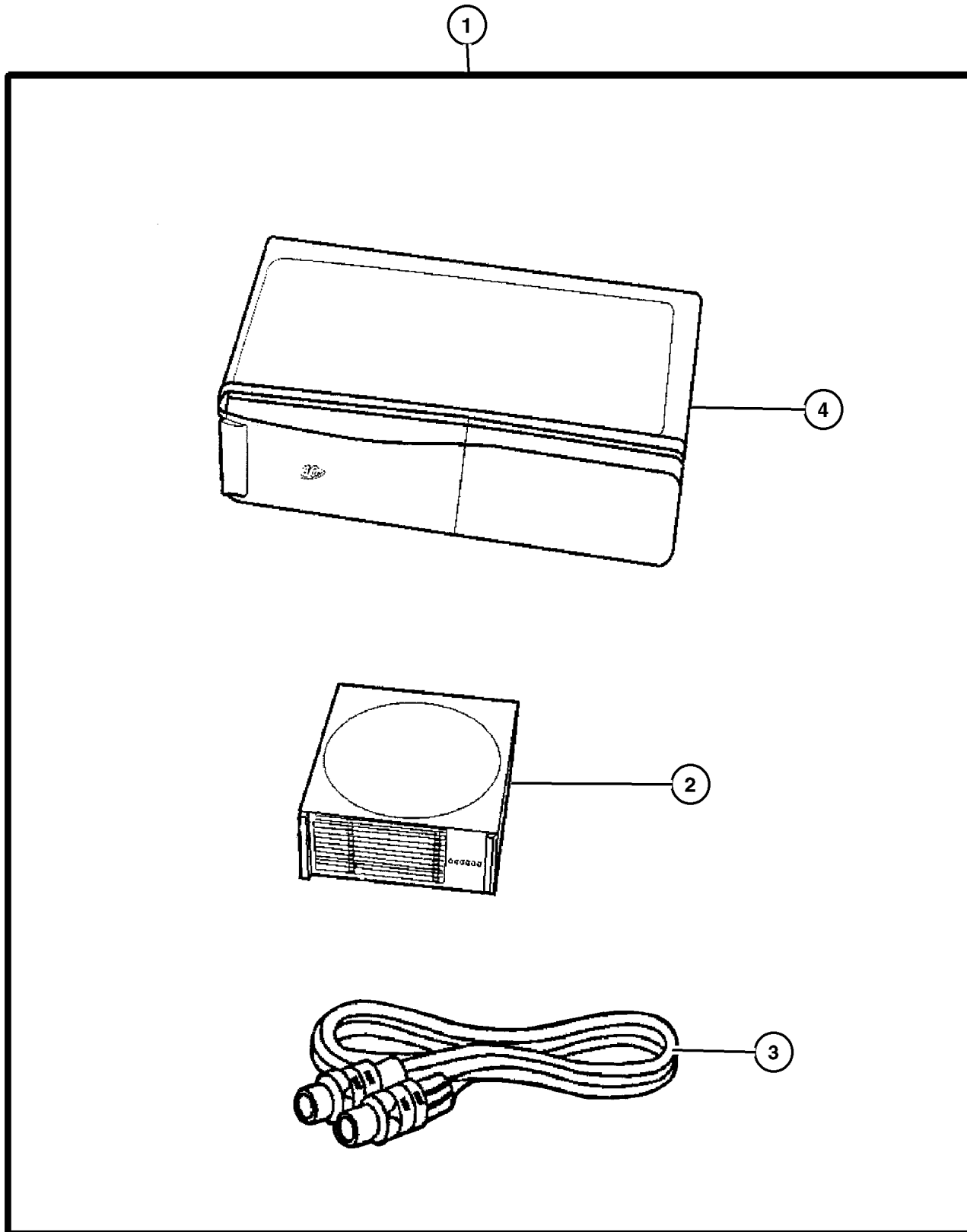
GROUP 1 - Component Parts for Mopar Accessories

Illustration Title	Group-Fig. No.
Security	
Alarm - EVS Base System	Fig. 001-910
Alarm - EVS Plus System	Fig. 001-914
4 - Wheeling & Off Road	
Guard - Rock Rails	Fig. 001-1020
Winch Kit - Power	Fig. 001-1030



**Player Kit - CD Changer - 6 Disc
Figure 001-110**

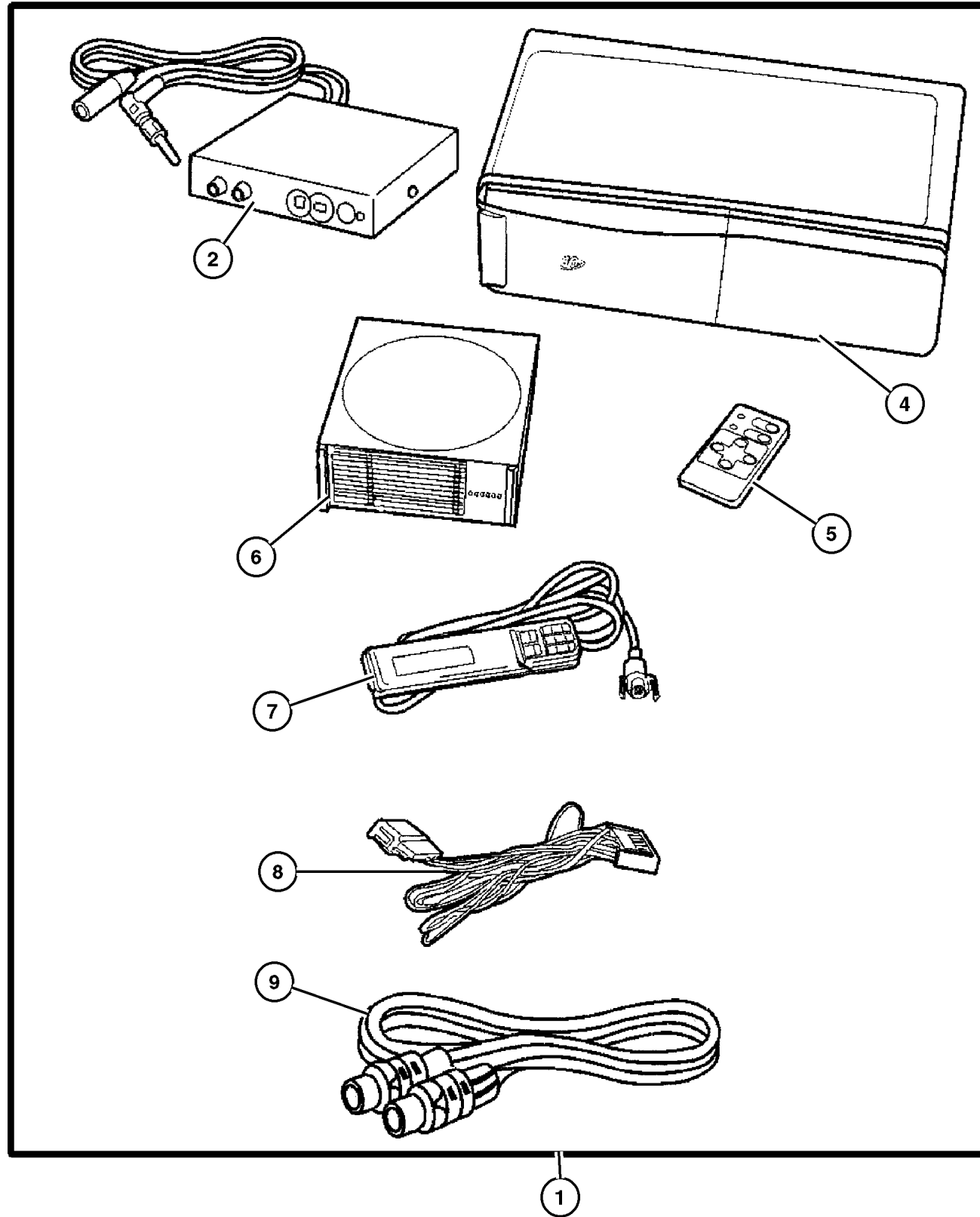
ITEM	PART NUMBER	QTY	LINE	BODY	DESCRIPTION
NOTE; Use with CD-Controlled radios. For radios without CD Changer controls, use FM-Modulator Kit 82202292					
1	8220 2700	1			PLAYER KIT, CD Changer - 6 Disc
2	4797 433	1			MAGAZINE, CD Changer
3	4465 113	1			CABLE, Din
4					CHANGER, CD, (NOT SERVICED)



JEEP CHEROKEE (XJ)				
SERIES	LINE	BODY	ENGINE	TRANSMISSION
P = Limited	J = LHD (4WD)	74=4 Dr. (101.4 WB)	ENC, EN0 = 2.5L 4 Cyl Turbo	DDD = 5 Speed Manual
S = Limited	U = RHD (4WD)	72=2 Dr. (101.4 WB)	ERH, ER0 = 4.0L Power Tech	DGS = 4 Speed Auto AISIN
H = Sport	T = LHD (2WD)			DG0 = All Automatic Trans
L = SE	B = RHD (2WD)			DBB = All Manual Trans

AR = Use as required - = Non illustrated part # = New this model year

**Player Kit - CD Changer - 12 Disc
Figure 001-112**



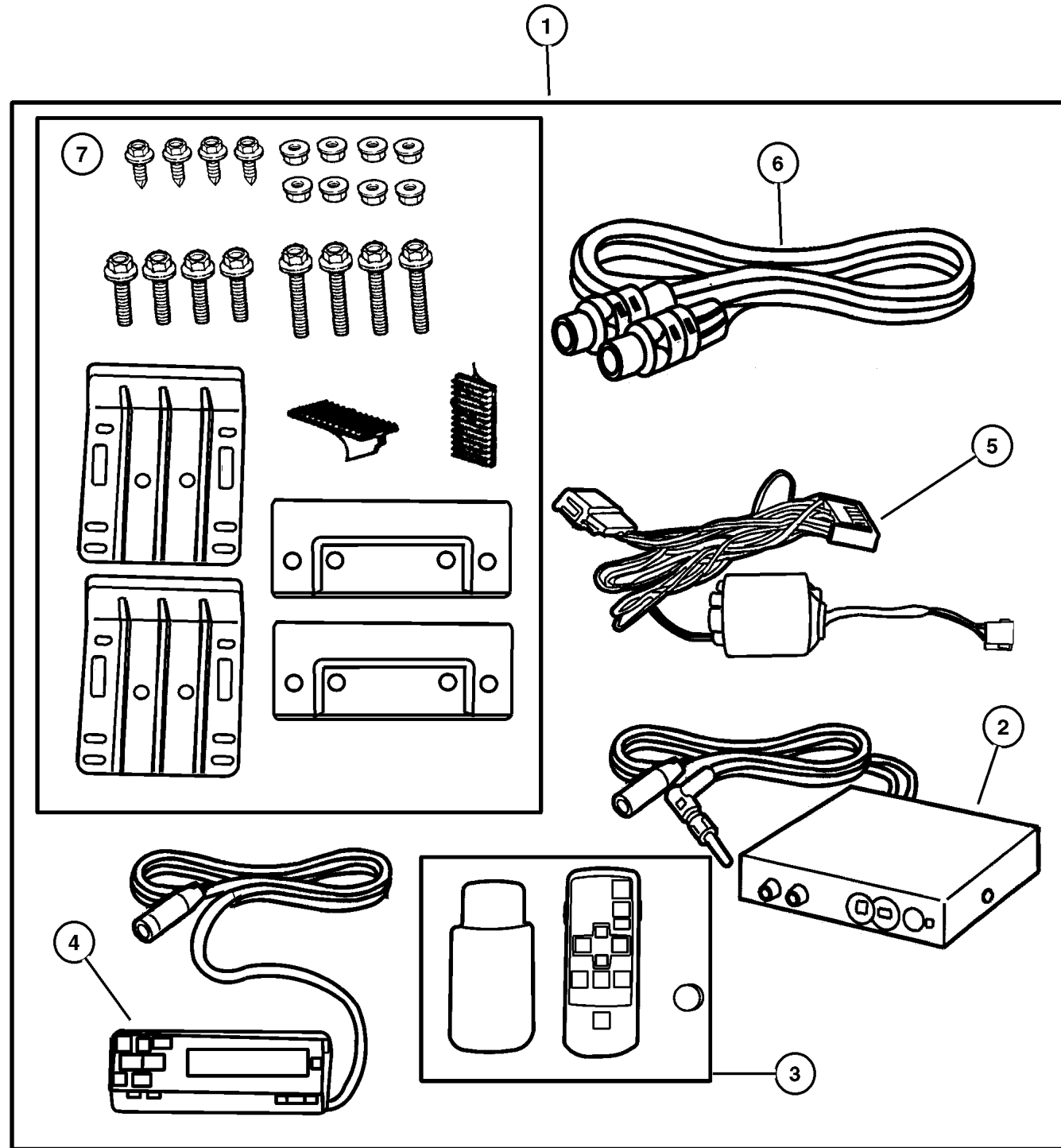
ITEM	PART NUMBER	QTY	LINE	BODY	DESCRIPTION
NOTE; For radio without CD controls. Pentastar Logo, Includes RF Modulator, Power Cord, Din Cord, Hand Held and IR Remote Controller and Operating manual, 12 Disc Magazine.					
1	8220 4730	1	J, T	72, 74	PLAYER KIT, CD Changer - 12 Disc
2	5013 804AA	1	J, T	72, 74	MODULATOR, FM
-3	5013 800AA	1	J, T	72, 74	HARDWARE KIT, Mounting
4	5013 806AA	1	J, T	72, 74	CHANGER, CD
5	5013 802AA	1	J, T	72, 74	CONTROLLER, CD Wireless
6	5013 805AA	1	J, T	72, 74	MAGAZINE, CD Changer
7	5013 803AA	1	J, T	72, 74	CONTROLLER, CD Wired
8	4465 117	1	J, T	72, 74	ADAPTOR, A/C
9	5013 801AA	1	J, T	72, 74	DIN CORD, CD Player, 5 Meter

JEEP CHEROKEE (XJ)				
SERIES	LINE	BODY	ENGINE	TRANSMISSION
P = Limited	J = LHD (4WD)	74=4 Dr. (101.4 WB)	ENC, EN0 = 2.5L 4 Cyl Turbo	DDD = 5 Speed Manual
S = Limited	U = RHD (4WD)	72=2 Dr. (101.4 WB)	ERH, ER0 = 4.0L Power Tech	DGS = 4 Speed Auto AISIN
H = Sport	T = LHD (2WD)			DG0 = All Automatic Trans
L = SE	B = RHD (2WD)			DBB = All Manual Trans

AR = Use as required - = Non illustrated part # = New this model year

May 2, 2002

Install Kit - CD Changer - Trunk
Figure 001-130



ITEM	PART NUMBER	QTY	LINE	BODY	DESCRIPTION
1	8220 2292	1			INSTALL KIT, CD Changer - Trunk
2	5012 349AA	1			MODULATOR, FM Changer
3	5017 217AA	1			CONTROLLER, CD Wireless
4					CONTROLLER, CD Wired, (NOT SERVICED)
5	4465 117	1			ADAPTOR, A/C
6	4465 113	1			CABLE, Din
7					HARDWARE KIT, Mounting, (NOT SERVICED)

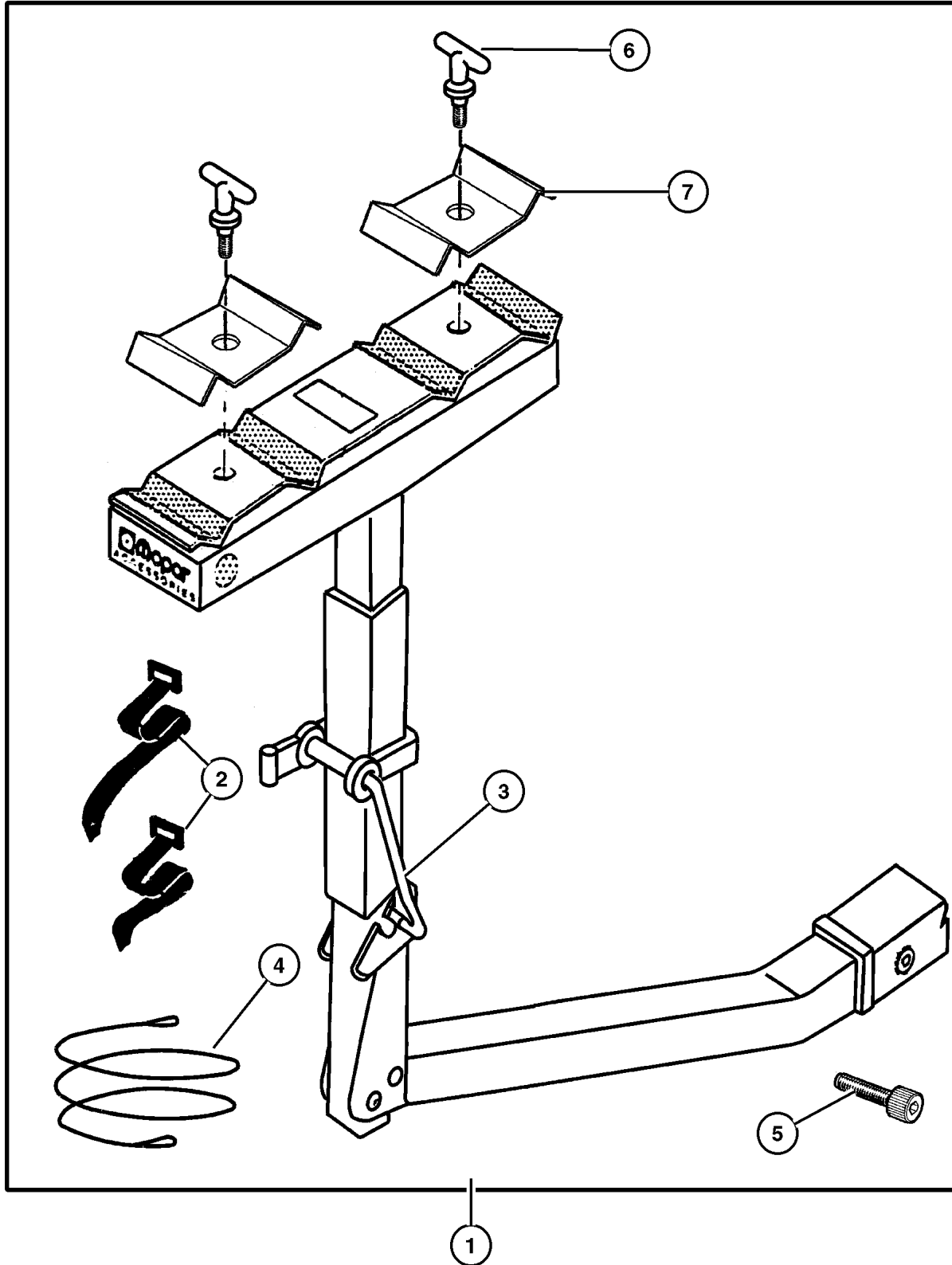
JEEP CHEROKEE (XJ)				
SERIES	LINE	BODY	ENGINE	TRANSMISSION
P = Limited	J = LHD (4WD)	74=4 Dr. (101.4 WB)	ENC, EN0 = 2.5L 4 Cyl Turbo	DDD = 5 Speed Manual
S = Limited	U = RHD (4WD)	72=2 Dr. (101.4 WB)	ERH, ER0 = 4.0L Power Tech	DGS = 4 Speed Auto AISIN
H = Sport	T = LHD (2WD)			DG0 = All Automatic Trans
L = SE	B = RHD (2WD)			DBB = All Manual Trans

AR = Use as required - = Non illustrated part # = New this model year

May 2, 2002

Bike Carrier - Hitch Mount
Figure 001-210

ITEM	PART NUMBER	QTY	LINE	BODY	DESCRIPTION
1					CARRIER KIT, Bike, 2 inch hitch opening
	8220 4328	1	J, T	72, 74	Four Bike
	8220 4453	1	J, T	72, 74	Two Bike
2	4762 880	1	J, T	72, 74	STRAP KIT, Velcro, Consists of: 1- Long and 1- Short
3	5016 775AA	1	J, T	72, 74	STRAP KIT, Bike Carrier Latch, Consists of : Two Rubber Straps
4	4762 882	1	J, T	72, 74	LOCK KIT, Bike Carrier Handle
5	5016 776AA	1	J, T	72, 74	BOLT KIT, Security, Consists of: 1- Security Bolt,1-Security Wrench, washer and nut. For use with a 2 inch Receiver.
6	5016 610AA	1	J, T	72, 74	HARDWARE KIT, Accessory, T-Handle
7	5016 657AA	1	J, T	72, 74	HARDWARE KIT, Accessory, Top Clamp - 82204328 uses Two Total

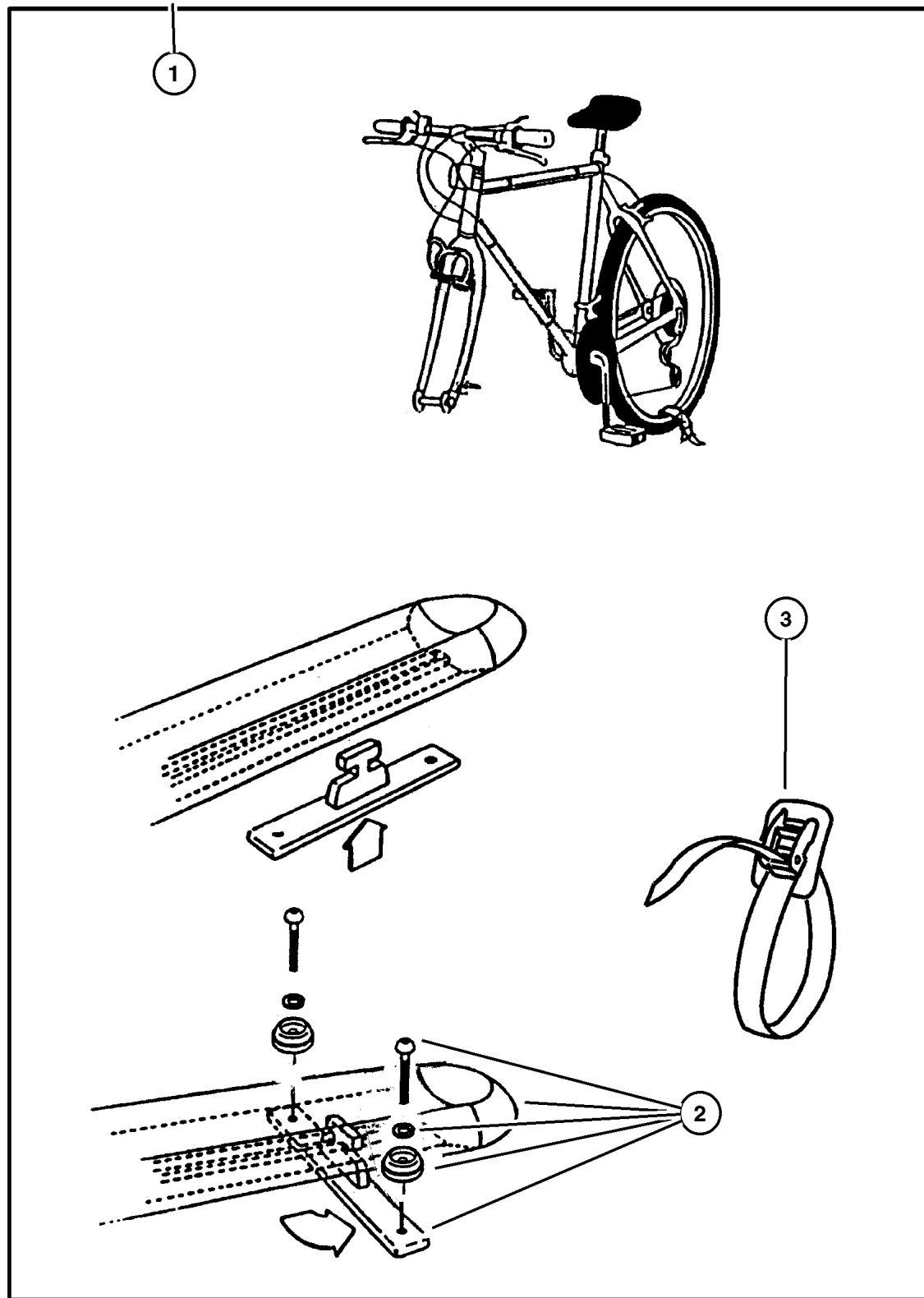


JEEP CHEROKEE (XJ)				
SERIES	LINE	BODY	ENGINE	TRANSMISSION
P = Limited	J = LHD (4WD)	74=4 Dr. (101.4 WB)	ENC, EN0 = 2.5L 4 Cyl Turbo	DDD = 5 Speed Manual
S = Limited	U = RHD (4WD)	72=2 Dr. (101.4 WB)	ERH, ER0 = 4.0L Power Tech	DGS = 4 Speed Auto AISIN
H = Sport	T = LHD (2WD)			DG0 = All Automatic Trans
L = SE	B = RHD (2WD)			DBB = All Manual Trans

AR = Use as required - = Non illustrated part # = New this model year

May 2, 2002

Bike Carrier - Roof Mount
Figure 001-212



ITEM	PART NUMBER	QTY	LINE	BODY	DESCRIPTION
					manual, 12 Disc Magazine.
					manual, 12 Disc Magazine.
					NOTE: Hardware Kit also contained in Carrier Kit. manual, 12 Disc Magazine.
					NOTE: Carrier Kit has Upright Clamp for bike. manual, 12 Disc Magazine.
1	8230 0585	1	J, T	72, 74	CARRIER KIT, Bike, Fork - Mount
2	5016 512AA	1	J, T	72, 74	HARDWARE KIT, Accessory, Consists of: 2-T-Slot Bars, 4-Round Dome Washers, 4- M6X1.0 X 16MM Machine Screws, 2 M6 Lockwashers
3	5016 513AA	1	J, T	72, 74	STRAP, Cargo Tie Down, Consists of ; 2 Straps for securing the tire(s) onto the rack.NOTE: 82300585 only needs one strap but will receive 2 in this kit.

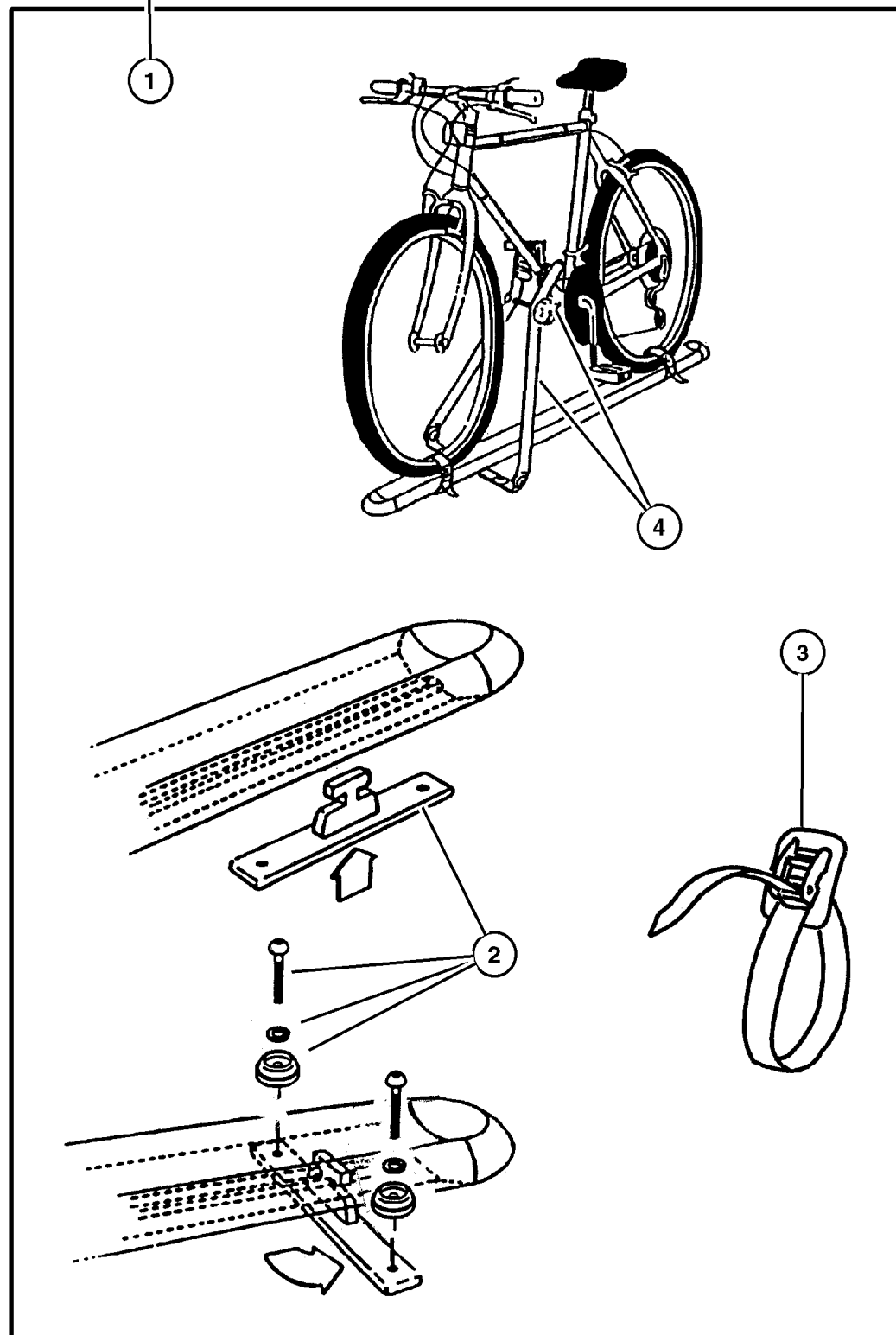
JEEP CHEROKEE (XJ)				
SERIES	LINE	BODY	ENGINE	TRANSMISSION
P = Limited	J = LHD (4WD)	74=4 Dr. (101.4 WB)	ENC, EN0 = 2.5L 4 Cyl Turbo	DDD = 5 Speed Manual
S = Limited	U = RHD (4WD)	72=2 Dr. (101.4 WB)	ERH, ER0 = 4.0L Power Tech	DGS = 4 Speed Auto AISIN
H = Sport	T = LHD (2WD)			DG0 = All Automatic Trans
L = SE	B = RHD (2WD)			DBB = All Manual Trans

AR = Use as required - = Non illustrated part # = New this model year

May 2, 2002

**Bike Carrier - Roof Mount Upright Style
Figure 001-214**

ITEM	PART NUMBER	QTY	LINE	BODY	DESCRIPTION
NOTE: Kit has Upright Clamp for Bike. manual, 12 Disc Magazine.					
1	8220 3471	1			CARRIER KIT, Bike, Upright - Mount
2	5016 512AA	1			HARDWARE KIT, Accessory
3	5016 513AA	1			STRAP, Cargo Tie Down
4	5018 194AA	1			HARDWARE KIT, Bike Carrier

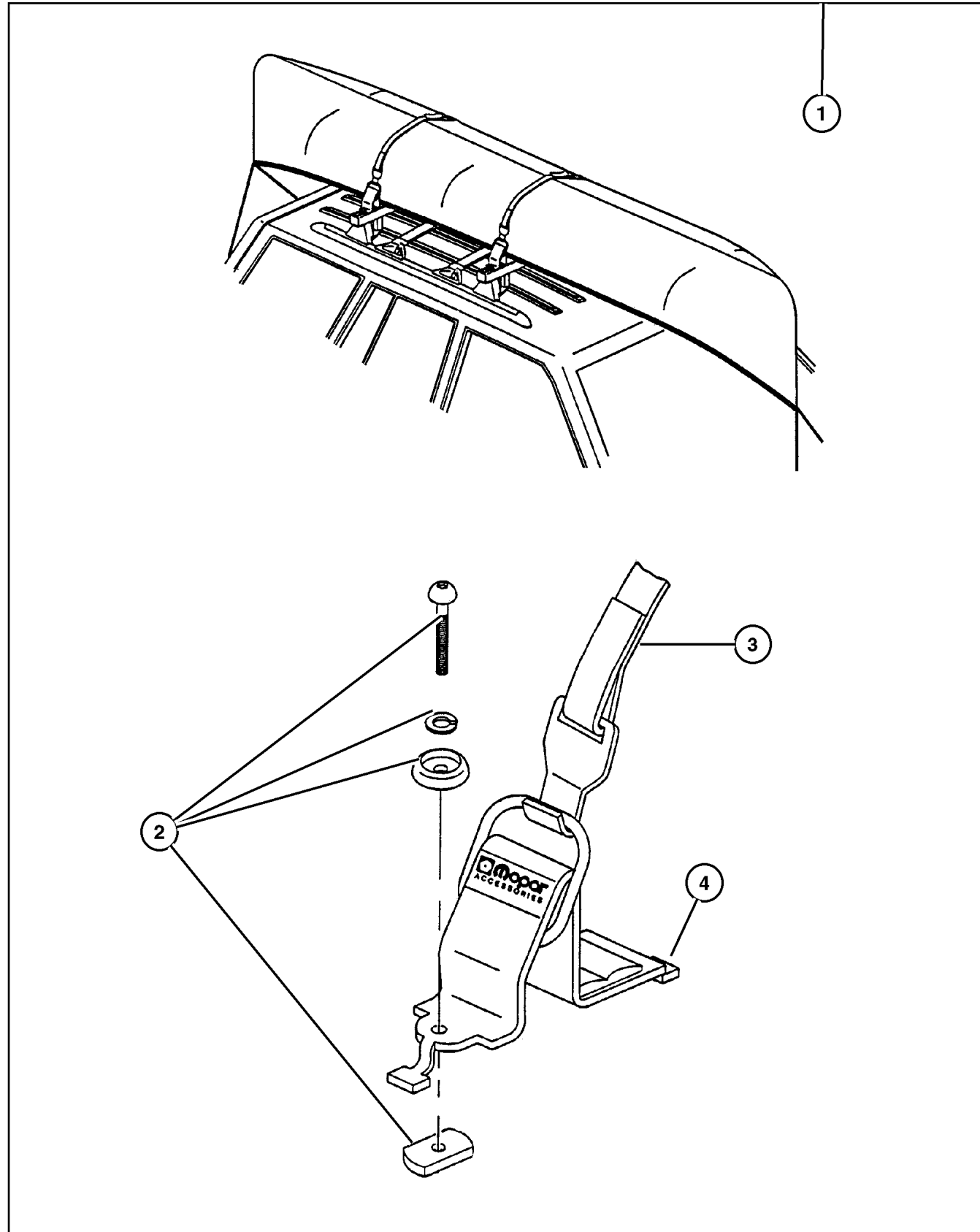


JEEP CHEROKEE (XJ)				
SERIES	LINE	BODY	ENGINE	TRANSMISSION
P = Limited	J = LHD (4WD)	74=4 Dr. (101.4 WB)	ENC, EN0 = 2.5L 4 Cyl Turbo	DDD = 5 Speed Manual
S = Limited	U = RHD (4WD)	72=2 Dr. (101.4 WB)	ERH, ER0 = 4.0L Power Tech	DGS = 4 Speed Auto AISIN
H = Sport	T = LHD (2WD)			DG0 = All Automatic Trans
L = SE	B = RHD (2WD)			DBB = All Manual Trans

AR = Use as required - = Non illustrated part # = New this model year

May 2, 2002

Carrier Kit - Canoe
Figure 001-220



ITEM	PART NUMBER	QTY	LINE	BODY	DESCRIPTION
NOTE: Use only with Sport Utility Bar manual, 12 Disc Magazine.					
NOTE: Hardware Kit also contained in Carrier Kit manual, 12 Disc Magazine.					
1	8220 4700	1	J, T	72, 74	CARRIER KIT, Water Sports
2	5016 389AA	1	J, T	72, 74	HARDWARE KIT, Accessory, Consists of: 4- 25MM Button Head Screws, 4- 30MM Button Head Screws, 4- Lock Washers, 4- Dome Washer, 4- Rubber Washers and 4- T-Nuts.
3	5016 511AA	1	J, T	72, 74	STRAP, Cargo Tie Down
4	5016 510AA	1	J, T	72, 74	BRACKET, Cargo Tie Down

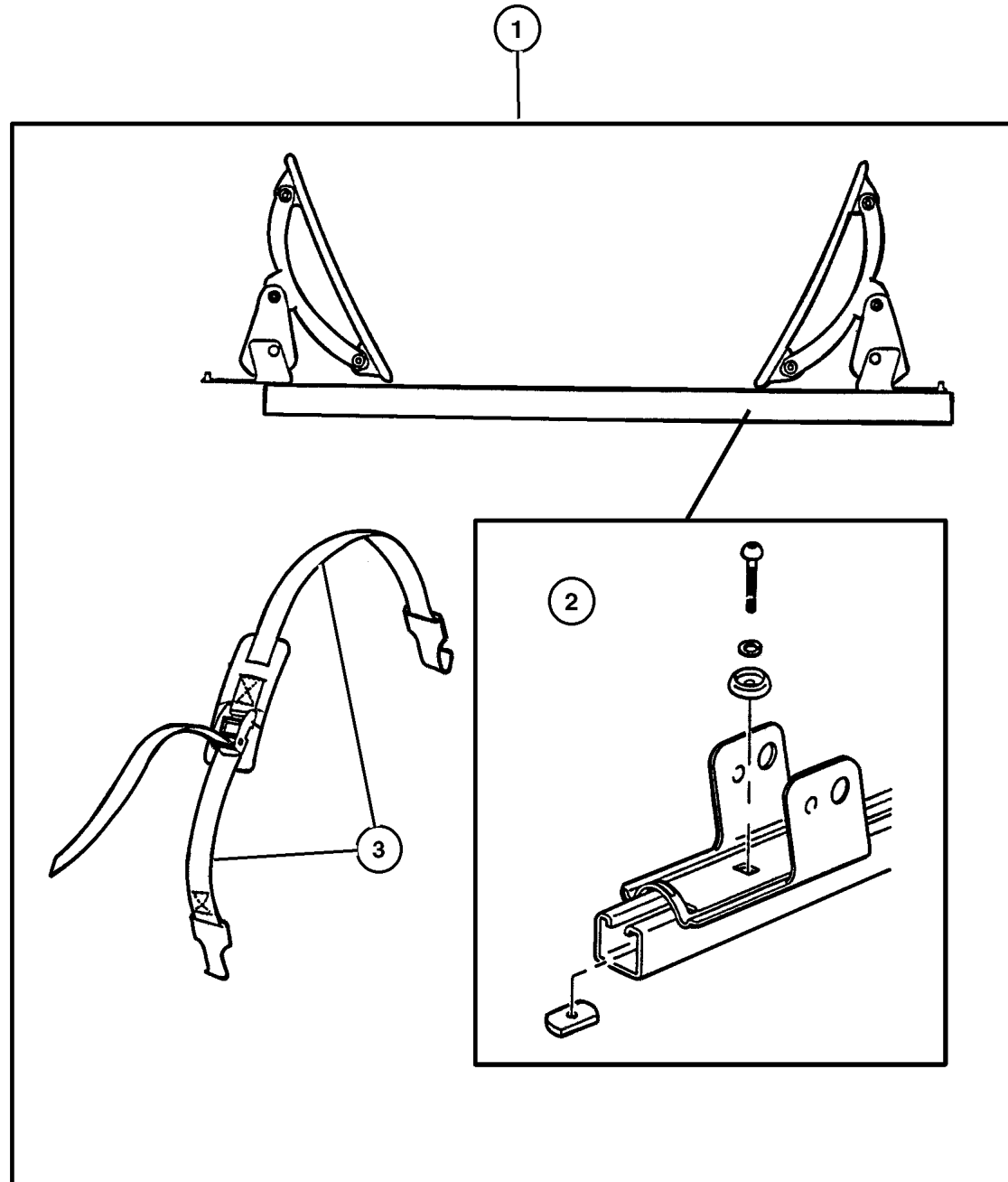
JEEP CHEROKEE (XJ)				
SERIES	LINE	BODY	ENGINE	TRANSMISSION
P = Limited	J = LHD (4WD)	74=4 Dr. (101.4 WB)	ENC, EN0 = 2.5L 4 Cyl Turbo	DDD = 5 Speed Manual
S = Limited	U = RHD (4WD)	72=2 Dr. (101.4 WB)	ERH, ER0 = 4.0L Power Tech	DGS = 4 Speed Auto AISIN
H = Sport	T = LHD (2WD)			DG0 = All Automatic Trans
L = SE	B = RHD (2WD)			DBB = All Manual Trans

AR = Use as required - = Non illustrated part # = New this model year

May 2, 2002

Carrier Kit - Water Sports
Figure 001-225

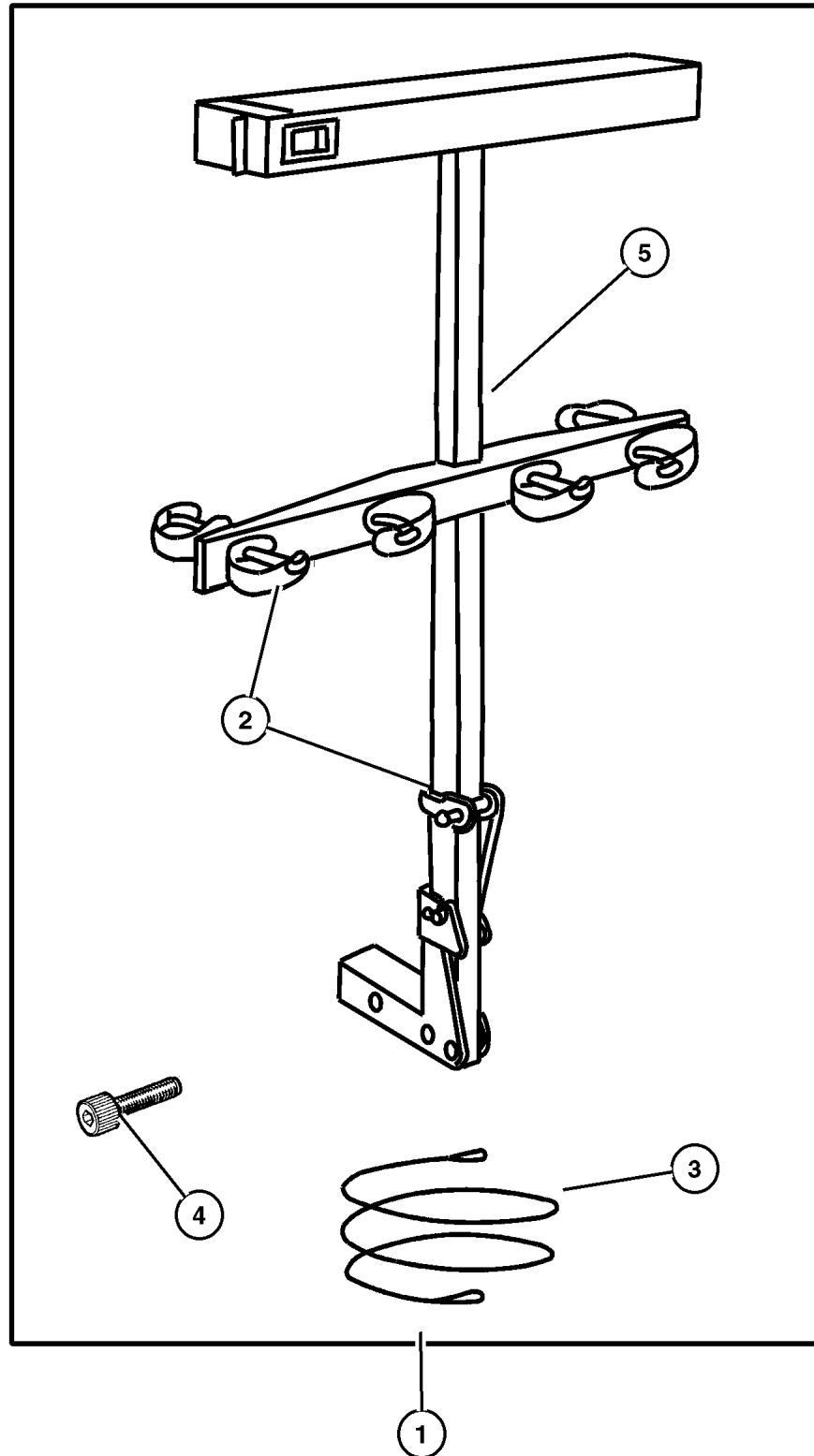
ITEM	PART NUMBER	QTY	LINE	BODY	DESCRIPTION
1	8220 4701	1	J, T	72, 74	CARRIER KIT, Water Sports
2	5016 389AA	1	J, T	72, 74	HARDWARE KIT, Accessory, Consists of: 4- 25MM Buton Head Screws, 4-30MM Button Head Screws, 4- Lock Washers, 4- Rubber Washers and 4- T-Nuts.
3	5016 511AA	1	J, T	72, 74	STRAP, Cargo Tie Down



JEEP CHEROKEE (XJ)				
SERIES	LINE	BODY	ENGINE	TRANSMISSION
P = Limited	J = LHD (4WD)	74=4 Dr. (101.4 WB)	ENC, EN0 = 2.5L 4 Cyl Turbo	DDD = 5 Speed Manual
S = Limited	U = RHD (4WD)	72=2 Dr. (101.4 WB)	ERH, ER0 = 4.0L Power Tech	DGS = 4 Speed Auto AISIN
H = Sport	T = LHD (2WD)			DG0 = All Automatic Trans
L = SE	B = RHD (2WD)			DBB = All Manual Trans

AR = Use as required - = Non illustrated part # = New this model year

Carrier Kit - Ski- Hitch Mount
Figure 001-230



ITEM	PART NUMBER	QTY	LINE	BODY	DESCRIPTION
1	8220 4454	1	J, T	72, 74	CARRIER KIT, Ski - 4 Pair
2	4762 881	1	J, T	72, 74	STRAP KIT, Bike Carrier Latch, Consists of: 2 - Rubber Straps
3	4762 882	1	J, T	72, 74	LOCK KIT, Bike Carrier Handle
4	5016 774AA	1	J, T	72, 74	BOLT KIT, Security, Consists of: 1- Security Bolt, 1- Security Wrench, 1- Washer, 1- Nut. For 1.25 inch Receiver
5	5016 610AA	1	J, T	72, 74	HARDWARE KIT, Accessory, T-Handle

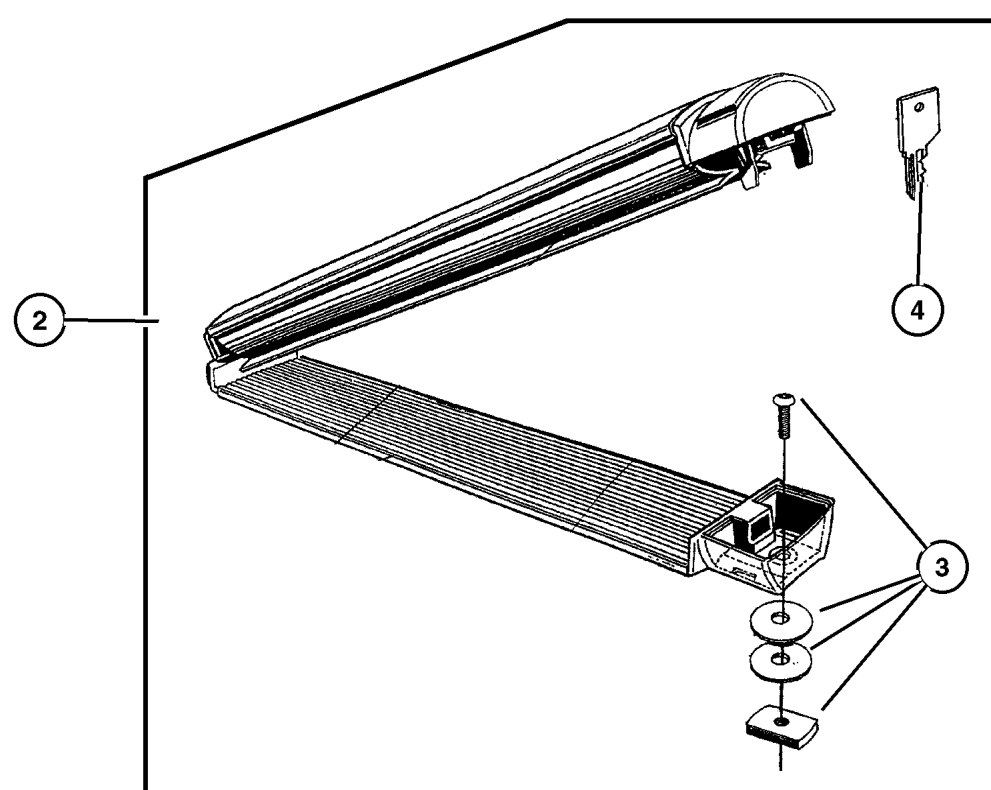
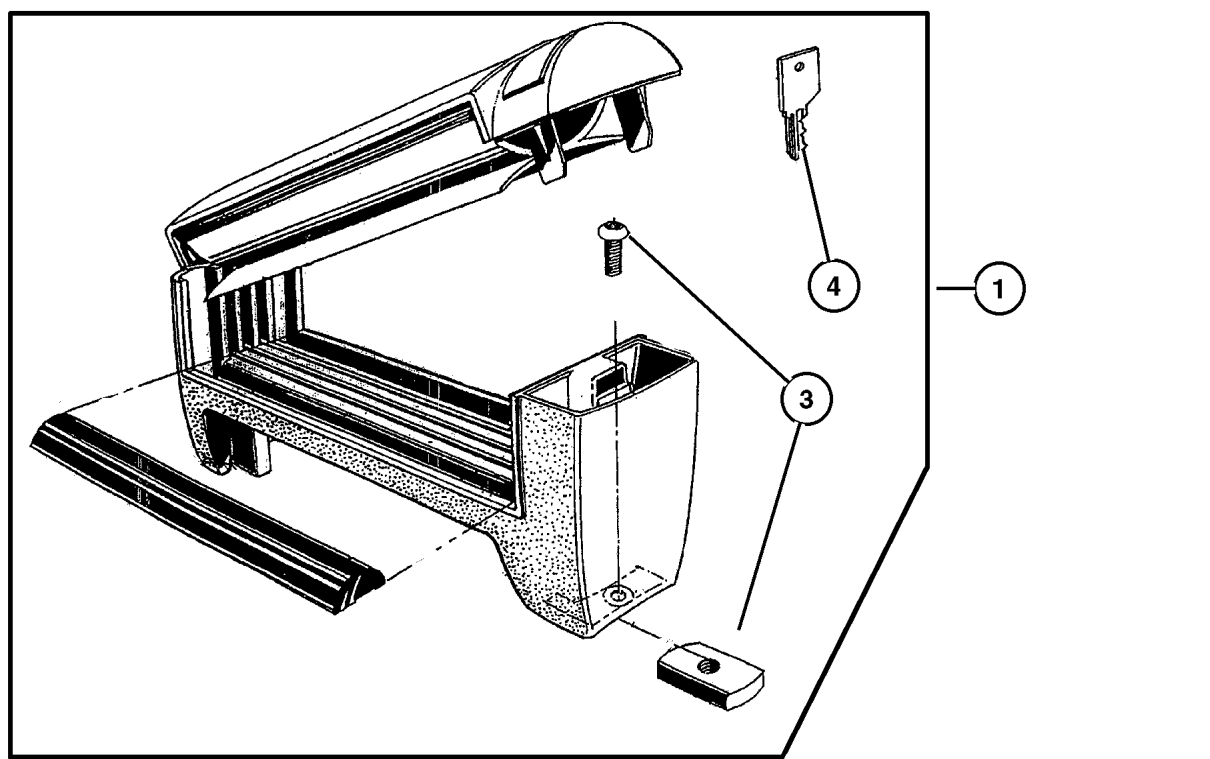
JEEP CHEROKEE (XJ)				
SERIES	LINE	BODY	ENGINE	TRANSMISSION
P = Limited	J = LHD (4WD)	74=4 Dr. (101.4 WB)	ENC, EN0 = 2.5L 4 Cyl Turbo	DDD = 5 Speed Manual
S = Limited	U = RHD (4WD)	72=2 Dr. (101.4 WB)	ERH, ER0 = 4.0L Power Tech	DGS = 4 Speed Auto AISIN
H = Sport	T = LHD (2WD)			DG0 = All Automatic Trans
L = SE	B = RHD (2WD)			DBB = All Manual Trans

AR = Use as required - = Non illustrated part # = New this model year

May 2, 2002

Carrier Kit - Ski (Two Pair) Roof Mount
Figure 001-232

ITEM	PART NUMBER	QTY	LINE	BODY	DESCRIPTION
1	8220 3474	1			CARRIER KIT, Ski - 2 Pair, High Mount
2	8220 3472	1			CARRIER KIT, Ski
3	5018 389AA	1			HARDWARE KIT, Mounting High Mount
	5019 077AA	1			
4					KEY, Master, (NOT SERVICED)
-5	5016 513AA	1			STRAP, Cargo Tie Down, Use with 2 Pair

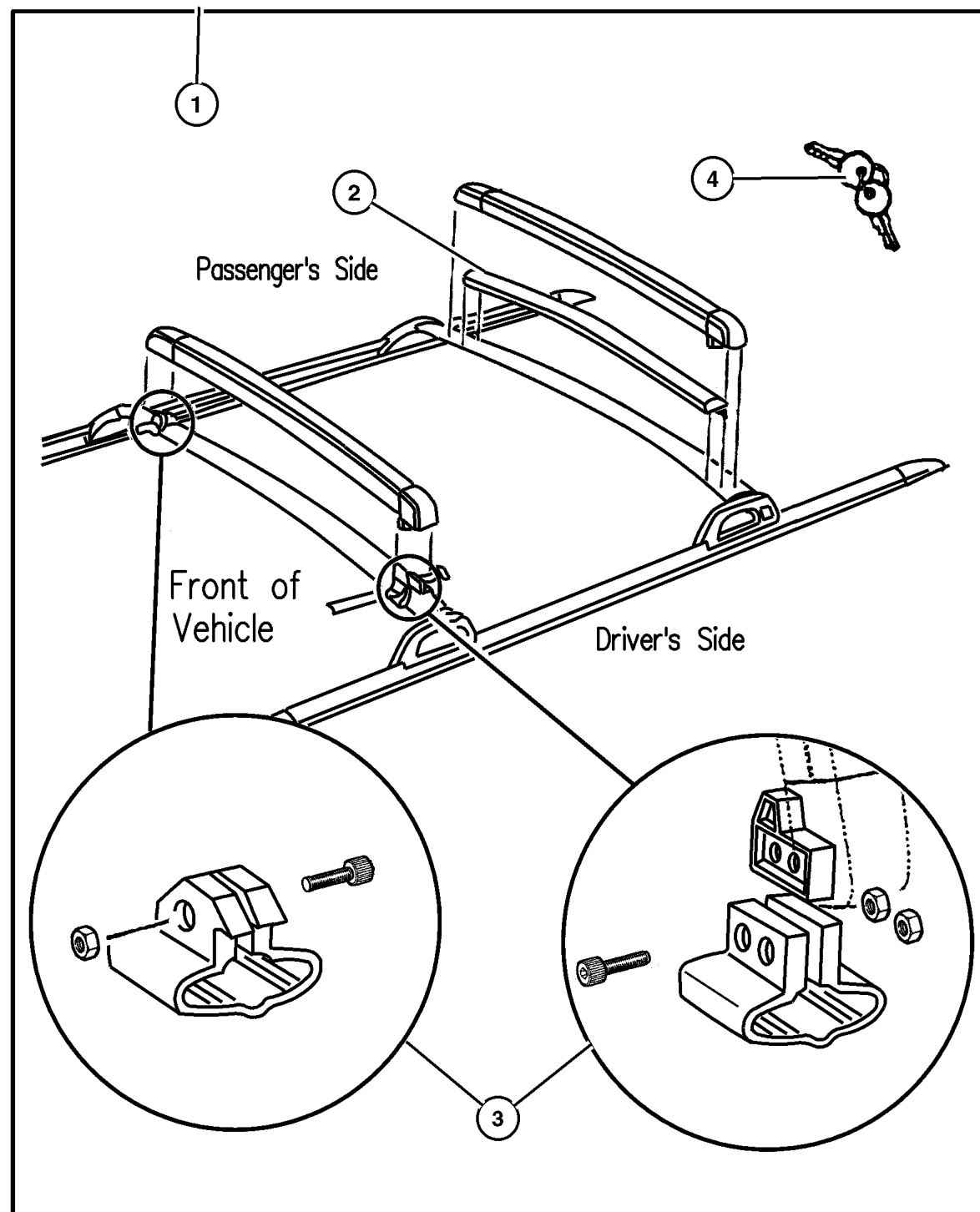


JEEP CHEROKEE (XJ)				
SERIES	LINE	BODY	ENGINE	TRANSMISSION
P = Limited	J = LHD (4WD)	74=4 Dr. (101.4 WB)	ENC, EN0 = 2.5L 4 Cyl Turbo	DDD = 5 Speed Manual
S = Limited	U = RHD (4WD)	72=2 Dr. (101.4 WB)	ERH, ER0 = 4.0L Power Tech	DGS = 4 Speed Auto AISIN
H = Sport	T = LHD (2WD)			DG0 = All Automatic Trans
L = SE	B = RHD (2WD)			DBB = All Manual Trans

AR = Use as required - = Non illustrated part # = New this model year

Carrier Kit - Ski (Four Pair) Roof Mount
Figure 001-234

ITEM	PART NUMBER	QTY	LINE	BODY	DESCRIPTION
1	8220 4101	1	J, T	72, 74	CARRIER KIT, Ski - 4 Pair
2	4797 617	1	J, T	72, 74	PAD, Crossbar, Comes in 36 inches - Cut to Size
3	4797 618	1	J, T	72, 74	HARDWARE KIT, Accessory
4	4796 058	1	J, T	72, 74	LOCK KIT, Carrier, Consists of: 2 Lock Assy, with Keys and 2 Clips



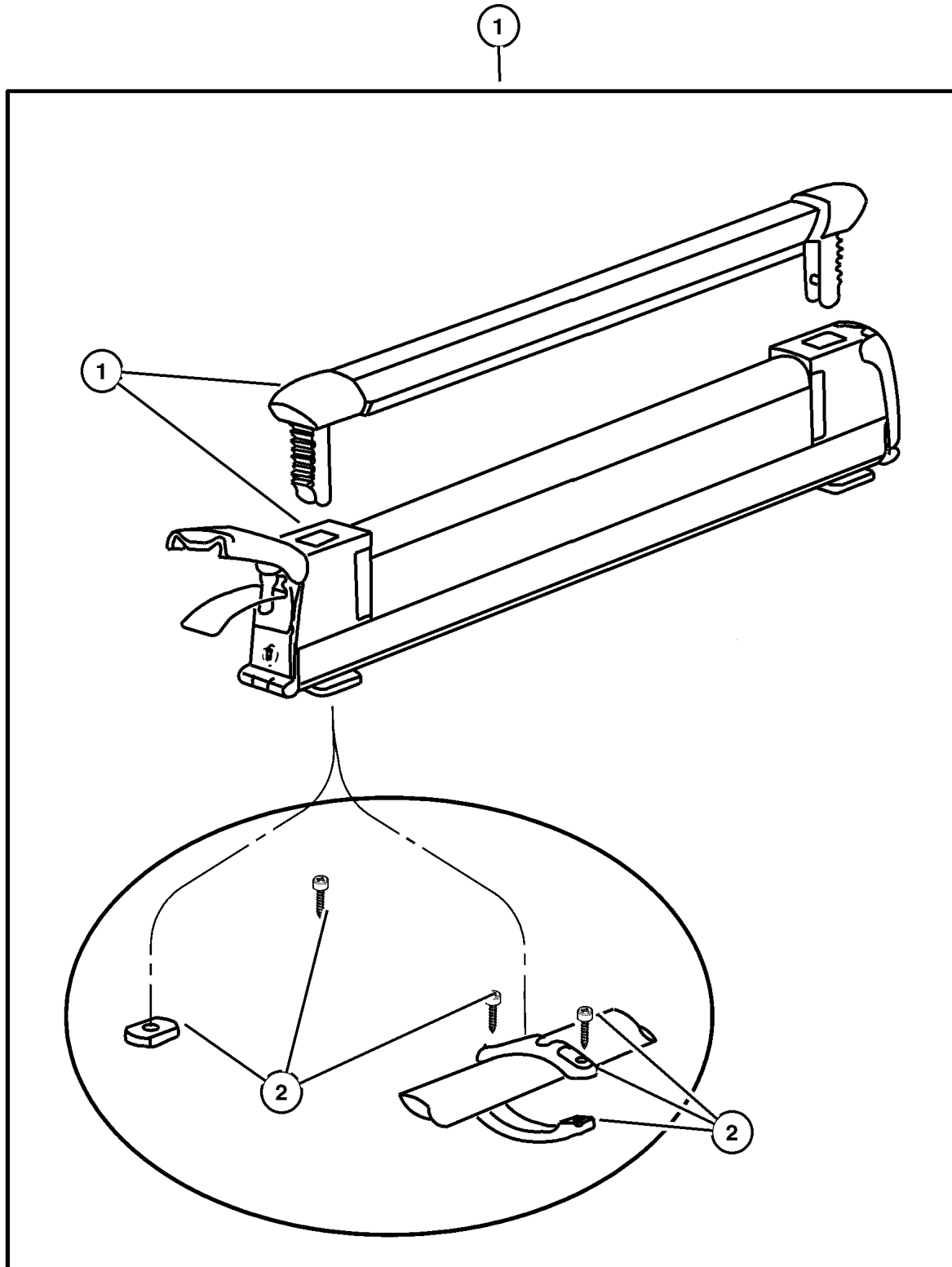
JEEP CHEROKEE (XJ)				
SERIES	LINE	BODY	ENGINE	TRANSMISSION
P = Limited	J = LHD (4WD)	74=4 Dr. (101.4 WB)	ENC, EN0 = 2.5L 4 Cyl Turbo	DDD = 5 Speed Manual
S = Limited	U = RHD (4WD)	72=2 Dr. (101.4 WB)	ERH, ER0 = 4.0L Power Tech	DGS = 4 Speed Auto AISIN
H = Sport	T = LHD (2WD)			DG0 = All Automatic Trans
L = SE	B = RHD (2WD)			DBB = All Manual Trans

AR = Use as required - = Non illustrated part # = New this model year

May 2, 2002

Carrier Kit - Ski (Six Pair) Roof Mount
Figure 001-236

ITEM	PART NUMBER	QTY	LINE	BODY	DESCRIPTION
1	8220 5994	1			CARRIER KIT, Ski
2	5019 362AA	1			HARDWARE KIT, Mounting



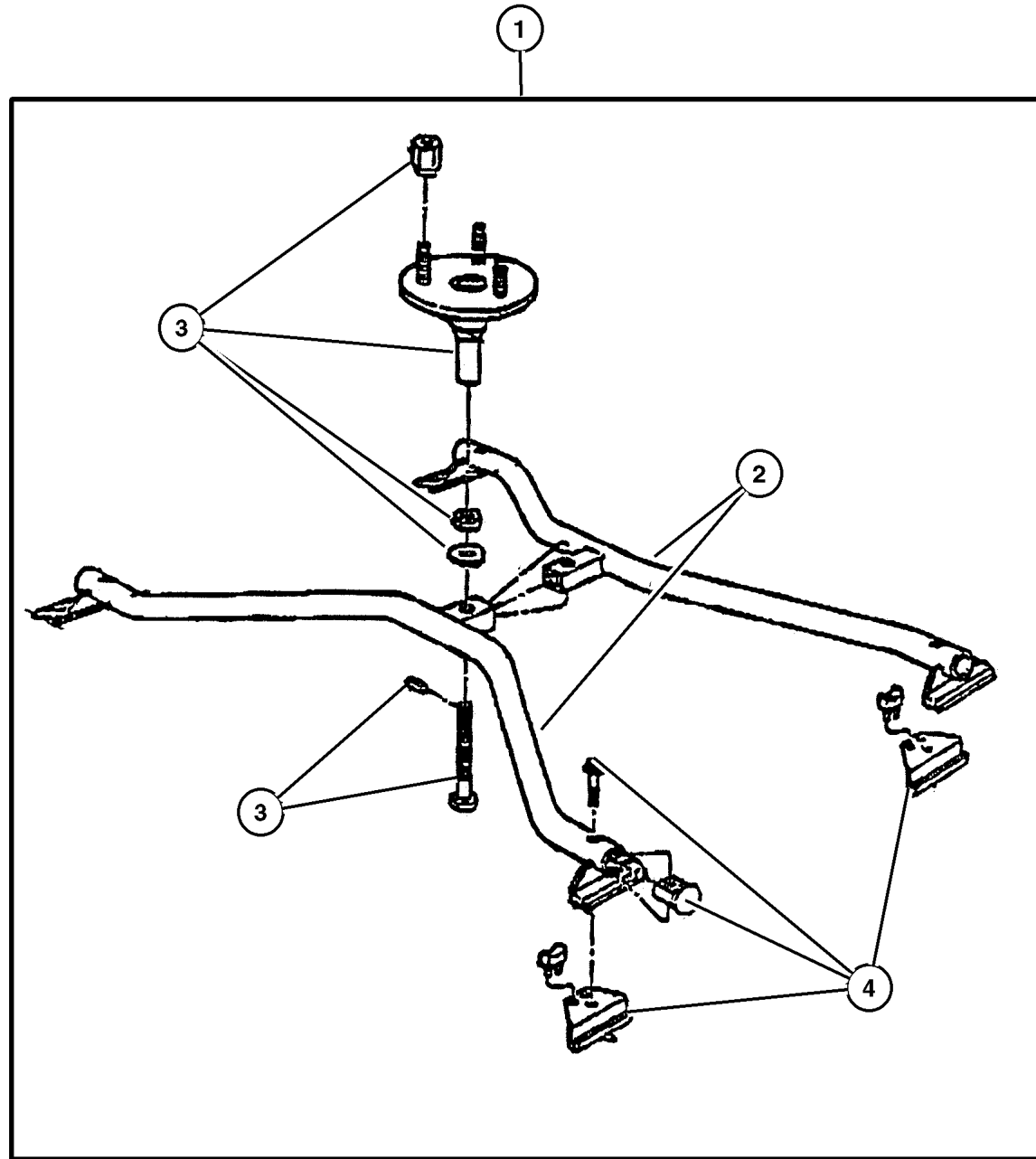
JEEP CHEROKEE (XJ)				
SERIES	LINE	BODY	ENGINE	TRANSMISSION
P = Limited	J = LHD (4WD)	74=4 Dr. (101.4 WB)	ENC, EN0 = 2.5L 4 Cyl Turbo	DDD = 5 Speed Manual
S = Limited	U = RHD (4WD)	72=2 Dr. (101.4 WB)	ERH, ER0 = 4.0L Power Tech	DGS = 4 Speed Auto AISIN
H = Sport	T = LHD (2WD)			DG0 = All Automatic Trans
L = SE	B = RHD (2WD)			DBB = All Manual Trans

AR = Use as required - = Non illustrated part # = New this model year

May 2, 2002

Tire Carrier - Roof Mount
Figure 001-240

ITEM	PART NUMBER	QTY	LINE	BODY	DESCRIPTION
1	8220 3257	1	J, T	72, 74	CARRIER KIT, Tire-Roof Rack Mount
2					FRAME, Sedrviced in Assembly, (NOT SERVICED)
3	5019 304AA	1	J, T	72, 74	HARDWARE KIT, Tire-Roof Rack Mount, Tire to Carrier
4	5019 305AA	1	J, T	72, 74	HARDWARE KIT, Tire-Roof Rack Mount, Carrier to Roof Rack

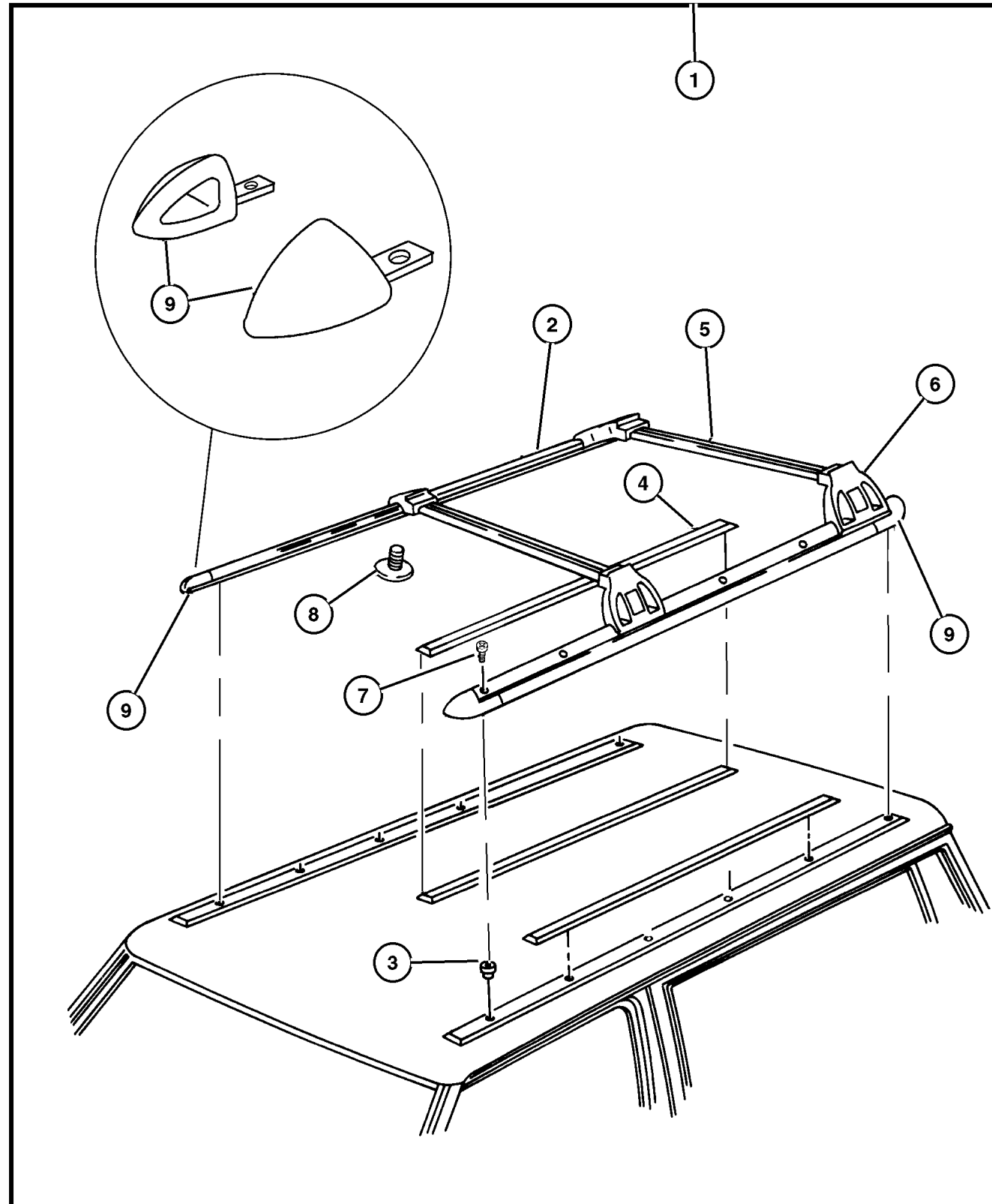


JEEP CHEROKEE (XJ)				
SERIES	LINE	BODY	ENGINE	TRANSMISSION
P = Limited	J = LHD (4WD)	74=4 Dr. (101.4 WB)	ENC, EN0 = 2.5L 4 Cyl Turbo	DDD = 5 Speed Manual
S = Limited	U = RHD (4WD)	72=2 Dr. (101.4 WB)	ERH, ER0 = 4.0L Power Tech	DGS = 4 Speed Auto AISIN
H = Sport	T = LHD (2WD)			DG0 = All Automatic Trans
L = SE	B = RHD (2WD)			DBB = All Manual Trans

AR = Use as required - = Non illustrated part # = New this model year

May 2, 2002

Luggage Rack Package - Roof
Figure 001-260



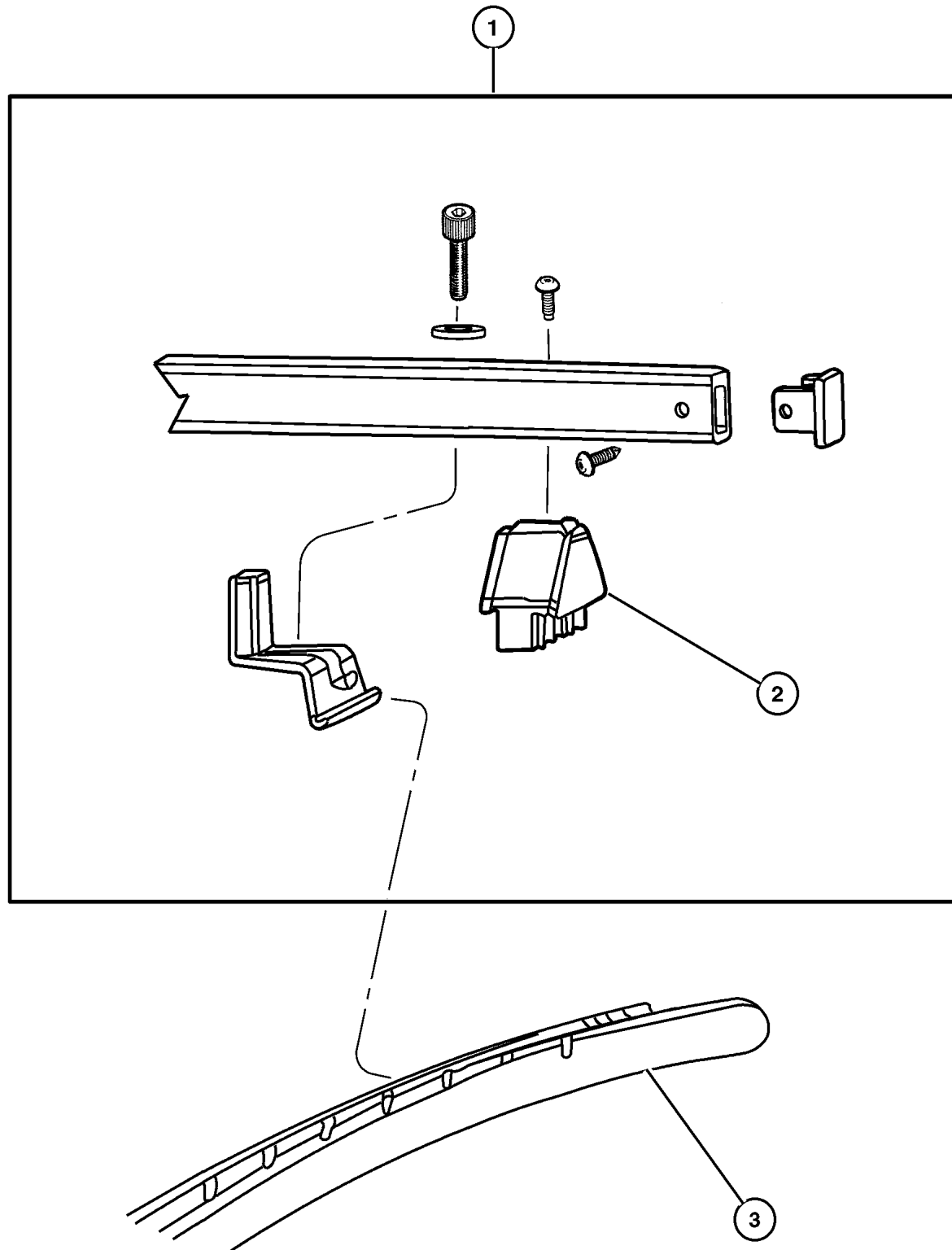
ITEM	PART NUMBER	QTY	LINE	BODY	DESCRIPTION
1	8220 6323	1			RACK KIT, Roof
2	55235 999AA	2			RAIL, Luggage Rack Side
3	6503 910	10			NUT
4	55075 106AB	4			SKID STRIP, Roof Rack
5	55235 978AA	2			CROSS BAR, Roof Rack
6					STANCHION, LUGG RACK CROSS RAIL
	55076 028AB	2			Right
	55076 029AB	2			Left
7	6505 937AA	10			SCREW, Pan Head
8	6035 499	4			SCREW, Pan Head Tapping, .242-10x.625
9					CAP, Side Rail
	55236 002AA	2			Right
	55236 003AA	2			Left

JEEP CHEROKEE (XJ)				
SERIES	LINE	BODY	ENGINE	TRANSMISSION
P = Limited	J = LHD (4WD)	74=4 Dr. (101.4 WB)	ENC, EN0 = 2.5L 4 Cyl Turbo	DDD = 5 Speed Manual
S = Limited	U = RHD (4WD)	72=2 Dr. (101.4 WB)	ERH, ER0 = 4.0L Power Tech	DGS = 4 Speed Auto AISIN
H = Sport	T = LHD (2WD)			DG0 = All Automatic Trans
L = SE	B = RHD (2WD)			DBB = All Manual Trans

AR = Use as required - = Non illustrated part # = New this model year

May 2, 2002

**Utility Bar Package - Roof
Figure 001-262**



ITEM	PART NUMBER	QTY	LINE	BODY	DESCRIPTION
------	-------------	-----	------	------	-------------

Note: Utility type rack, used with other roof top accessories. manual, 12 Disc Magazine.

1	8220 3447	1	J, T	72, 74	RACK KIT, Sport - Rail Mount
2	5066 452AA	1	J, T	72, 74	SUPPORT, Roof Rack
3	55235 999AA	2			RAIL, Luggage Rack Side, not serviced with this kit

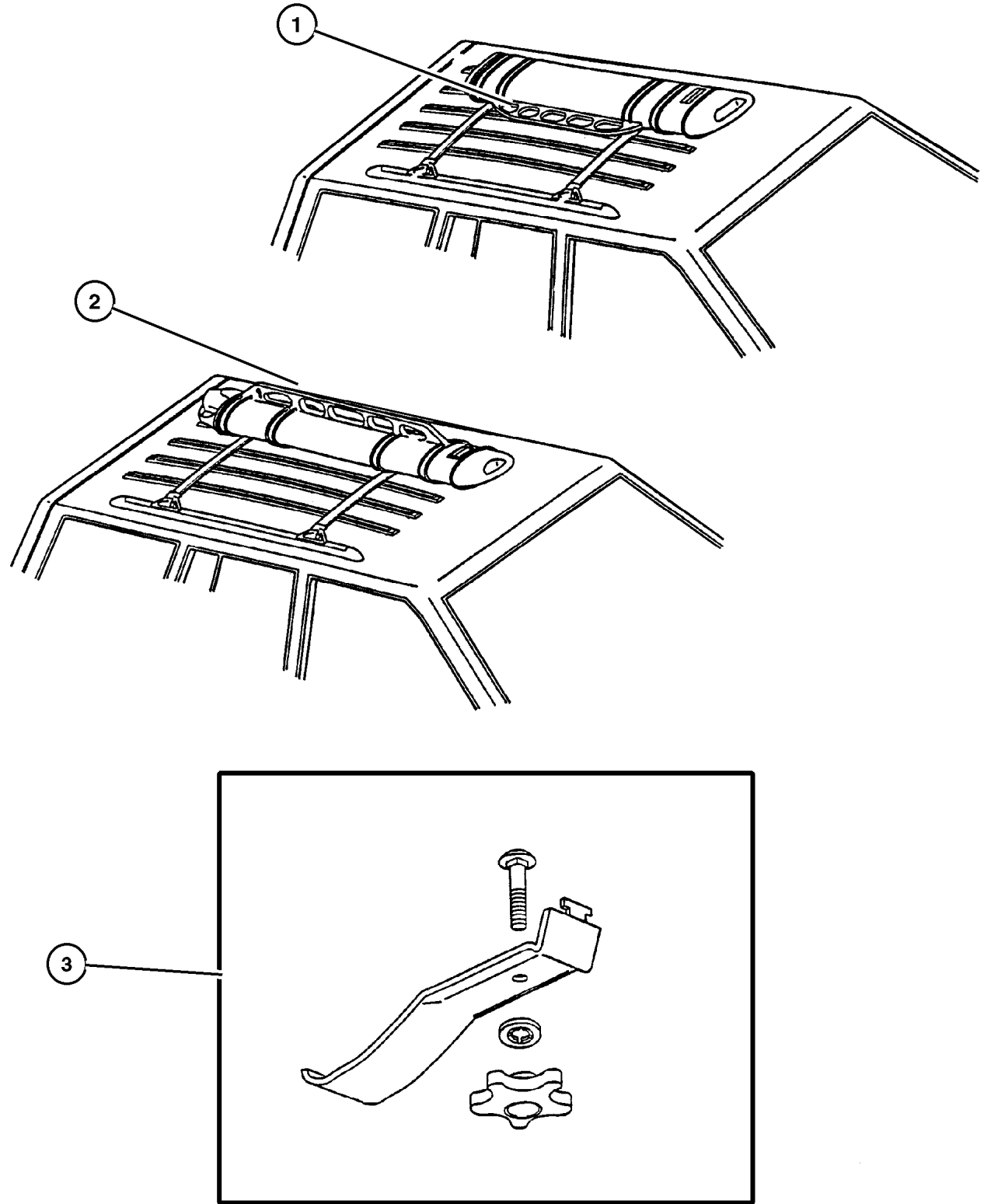
JEEP CHEROKEE (XJ)				
SERIES	LINE	BODY	ENGINE	TRANSMISSION
P = Limited	J = LHD (4WD)	74=4 Dr. (101.4 WB)	ENC, EN0 = 2.5L 4 Cyl Turbo	DDD = 5 Speed Manual
S = Limited	U = RHD (4WD)	72=2 Dr. (101.4 WB)	ERH, ER0 = 4.0L Power Tech	DGS = 4 Speed Auto AISIN
H = Sport	T = LHD (2WD)			DG0 = All Automatic Trans
L = SE	B = RHD (2WD)			DBB = All Manual Trans

AR = Use as required - = Non illustrated part # = New this model year

May 2, 2002

**Carrier Kit - Multipurpose
Figure 001-270**

ITEM	PART NUMBER	QTY	LINE	BODY	DESCRIPTION
NOTE: Carrier Kits - Multipurpose: Skis or Fishing Pole manual, 12 Disc Magazine. Snow Board or Surfboard manual, 12 Disc Magazine.					
NOTE: Hardware Kit also contained in Carrier Kit manual, 12 Disc Magazine.					
1	8220 4699	1	J, T	72, 74	CARRIER KIT, Wind/Surf Boards
2	8220 4698	1	J, T	72, 74	CARRIER KIT, Ski
3	5016 509AA	1	J, T	72, 74	HARDWARE KIT, Accessory, Consists of: 1- Carriage Bolt, 1- Retaining Knob, 1- Retaining Washer, 1- Attachment Bracket
-4	5016 617AA	1	J, T	72, 74	LOCK KIT, Carrier, Consists of: 2- Locks

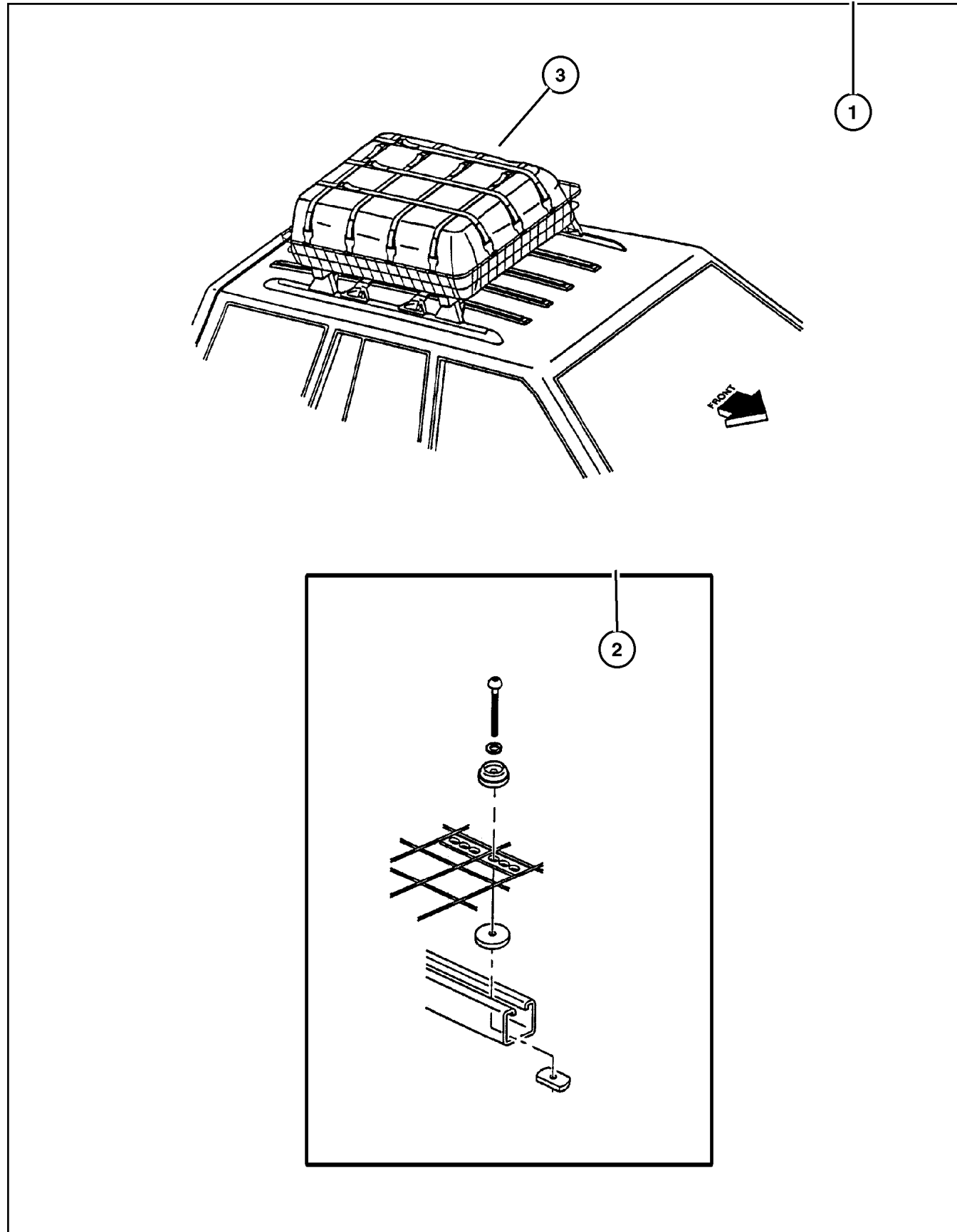


JEEP CHEROKEE (XJ)				
SERIES	LINE	BODY	ENGINE	TRANSMISSION
P = Limited	J = LHD (4WD)	74=4 Dr. (101.4 WB)	ENC, EN0 = 2.5L 4 Cyl Turbo	DDD = 5 Speed Manual
S = Limited	U = RHD (4WD)	72=2 Dr. (101.4 WB)	ERH, ER0 = 4.0L Power Tech	DGS = 4 Speed Auto AISIN
H = Sport	T = LHD (2WD)			DG0 = All Automatic Trans
L = SE	B = RHD (2WD)			DBB = All Manual Trans

AR = Use as required - = Non illustrated part # = New this model year

May 2, 2002

Carrier Kit - Basket Type
Figure 001-272



ITEM	PART NUMBER	QTY	LINE	BODY	DESCRIPTION
manual, 12 Disc Magazine.					
NOTE; Hardware Kit also contained in Carrier Kit. manual, 12 Disc Magazine.					
1	8220 4697	1	J, T	72, 74	CARRIER KIT, Basket
2	5016 389AA	1	J, T	72, 74	HARDWARE KIT, Accessory, Consists of: 4- 25MM Button Head Screws, 4- 30MM Button Head Screws, 4- Lock Washers, 4- Dome Washers, 4- Rubber Washers and 4- T-Nuts.
3	8220 4857	1	J, T	72, 74	NET KIT, Cargo

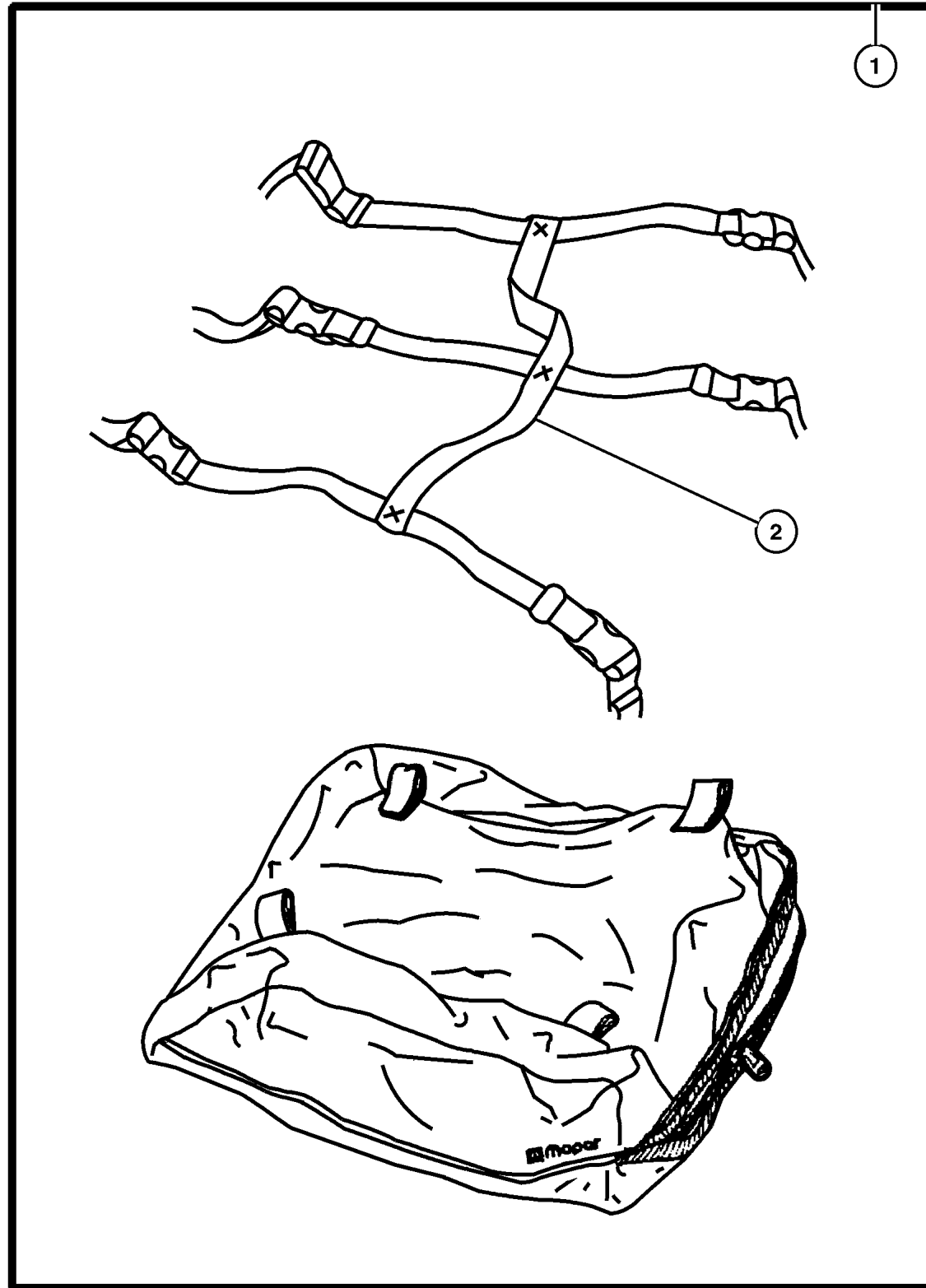
JEEP CHEROKEE (XJ)				
SERIES	LINE	BODY	ENGINE	TRANSMISSION
P = Limited	J = LHD (4WD)	74=4 Dr. (101.4 WB)	ENC, EN0 = 2.5L 4 Cyl Turbo	DDD = 5 Speed Manual
S = Limited	U = RHD (4WD)	72=2 Dr. (101.4 WB)	ERH, ER0 = 4.0L Power Tech	DGS = 4 Speed Auto AISIN
H = Sport	T = LHD (2WD)			DG0 = All Automatic Trans
L = SE	B = RHD (2WD)			DBB = All Manual Trans

AR = Use as required - = Non illustrated part # = New this model year

May 2, 2002

Luggage Carrier - Roof Mount
Figure 001-274

ITEM	PART NUMBER	QTY	LINE	BODY	DESCRIPTION
1	8220 4344	1		72, 74	CARRIER KIT, Luggage
2	5066 332AA	1		72, 74	STRAP KIT, Luggage Carrier

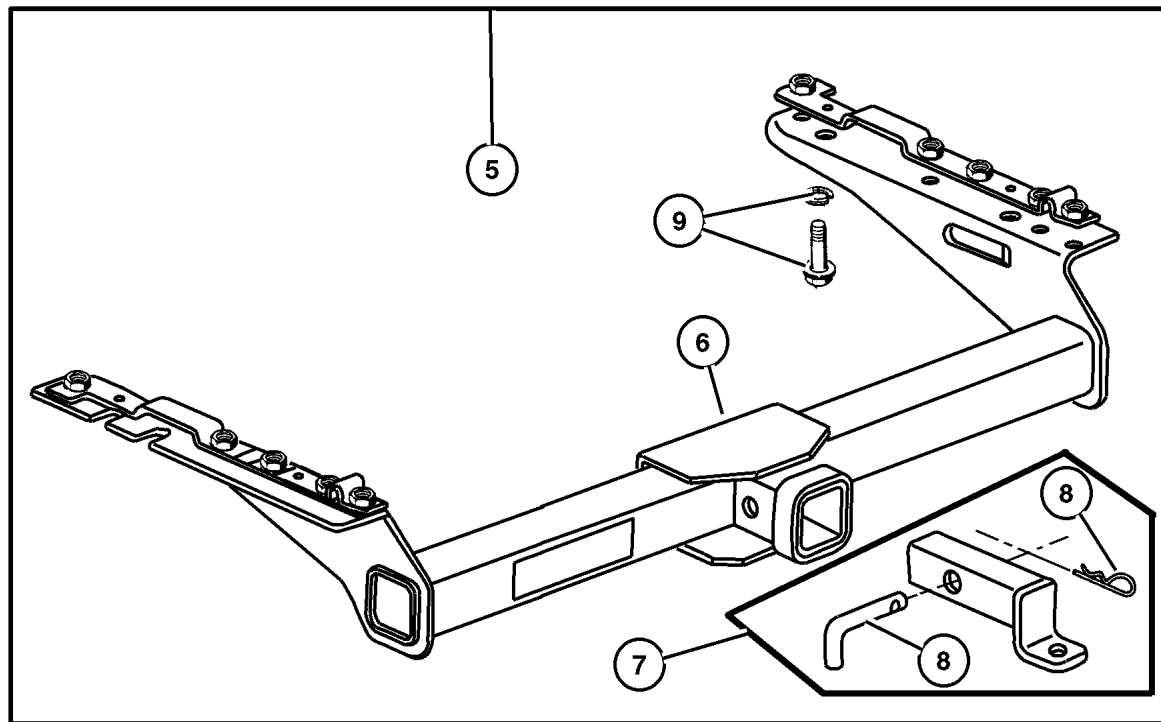
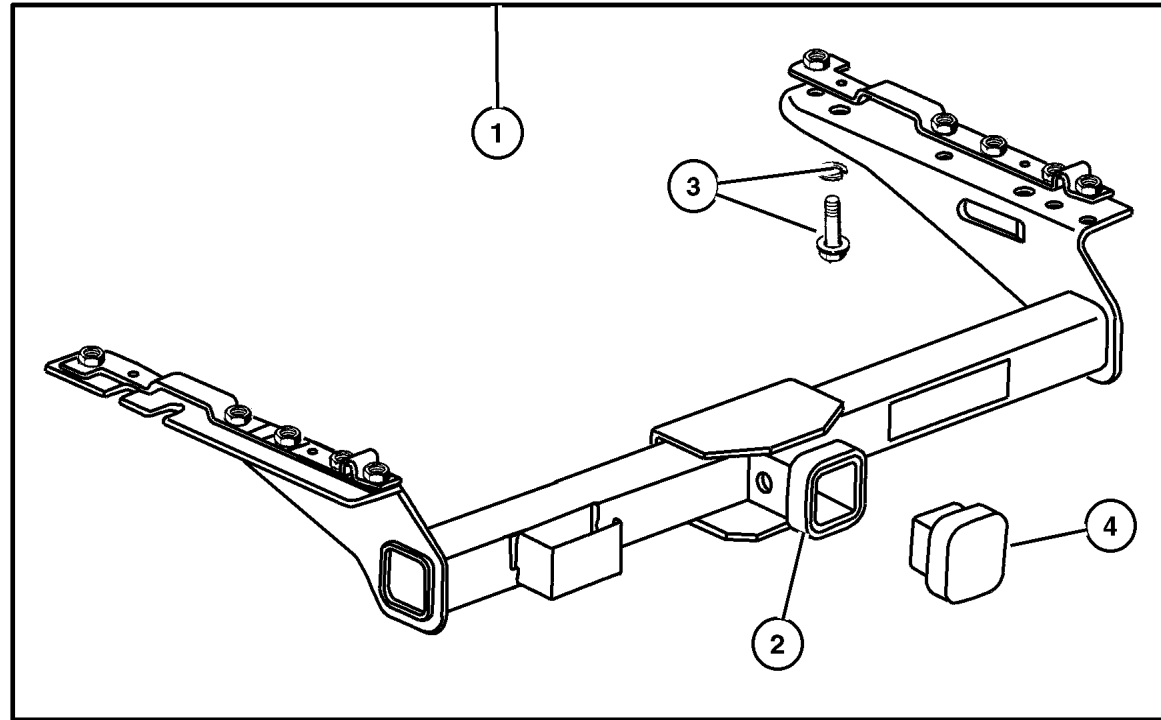


JEEP CHEROKEE (XJ)				
SERIES	LINE	BODY	ENGINE	TRANSMISSION
P = Limited	J = LHD (4WD)	74=4 Dr. (101.4 WB)	ENC, EN0 = 2.5L 4 Cyl Turbo	DDD = 5 Speed Manual
S = Limited	U = RHD (4WD)	72=2 Dr. (101.4 WB)	ERH, ER0 = 4.0L Power Tech	DGS = 4 Speed Auto AISIN
H = Sport	T = LHD (2WD)			DG0 = All Automatic Trans
L = SE	B = RHD (2WD)			DBB = All Manual Trans

AR = Use as required - = Non illustrated part # = New this model year

May 2, 2002

**Trailer Tow Kit
Figure 001-280**



ITEM	PART NUMBER	QTY	LINE	BODY	DESCRIPTION
1	8220 4709	1	J, T	72, 74	RECEIVER KIT, Trailer Tow, 2 inch Receiver
2					HITCH, Trailer, (NOT SERVICED)
3	5019 470AA	1	J, T	72, 74	HARDWARE KIT, Hitch
4	8220 3600	1	J, T	72, 74	COVER KIT, Trailer Tow, With Jeep Logo
5	8220 2852	1	J, T	72, 74	RECEIVER KIT, Trailer Tow, 1 1/4 inch Receiver
6					HITCH, Trailer, (NOT SERVICED)
7					ADAPTER KIT, Ball Mount
	8220 0248	1	J, T	72, 74	3/4 inch shank
	8220 1148	1	J, T	72, 74	1.0 inch shank, 1 3/4 inch rise 1.0 inch drop
	8220 1149	1	J, T	72, 74	1.0 inch shank, 3.0 inch rise 2 1/4 inch drop
8	5016 666AA	1	J, T	72, 74	PIN, Hitch
9	5019 470AA	1	J, T	72, 74	HARDWARE KIT, Hitch, Consists of: 4 - 1/2 inch Lock Washers, 4 - 12MM Hex Bolts
-10					BALL KIT, Trailer Tow
	8240 1102	1	J, T	72, 74	1 7/8 ball, 1.0X2 1/8 inch shank
	8240 1103	1	J, T	72, 74	2.0 ball, 1.0X2 1/8 inch shank
	8240 1104	1	J, T	72, 74	1 7/8 ball, 3/4X2 3/4 inch shank
	8240 1197	1	J, T	72, 74	1 7/8 ball, 3/4X2 5/16 inch shank

JEEP CHEROKEE (XJ)

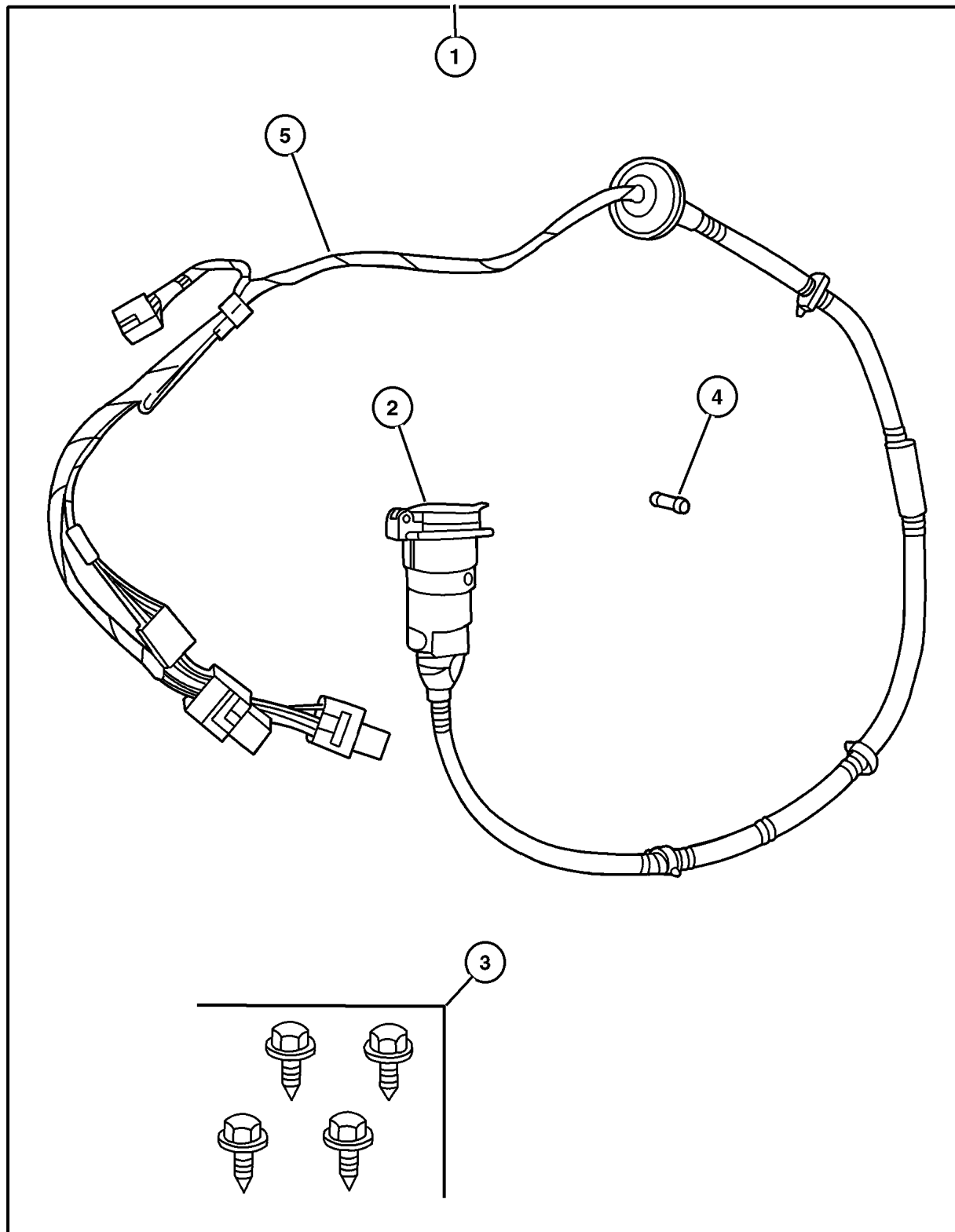
SERIES	LINE	BODY	ENGINE	TRANSMISSION
P = Limited	J = LHD (4WD)	74=4 Dr. (101.4 WB)	ENC, EN0 = 2.5L 4 Cyl Turbo	DDD = 5 Speed Manual
S = Limited	U = RHD (4WD)	72=2 Dr. (101.4 WB)	ERH, ER0 = 4.0L Power Tech	DGS = 4 Speed Auto AISIN
H = Sport	T = LHD (2WD)			DG0 = All Automatic Trans
L = SE	B = RHD (2WD)			DBB = All Manual Trans

AR = Use as required - = Non illustrated part # = New this model year

May 2, 2002

Wiring Kit -Trailer Tow Figure 001-285

ITEM	PART NUMBER	QTY	LINE	BODY	DESCRIPTION
1	8220 4634	1	J, T	72, 74	WIRING PACKAGE, Trailer Tow
2	56038 366AB	1	J, T	72, 74	CONNECTOR, 7 Way
3	0154 633	1	J, T	72, 74	SCREW, .164-18x.625
4	6101 486	1	J, T	72, 74	FUSE, Mini, 10 AMP, Red
5	5600 9832	1	J, T	72, 74	WIRING, Trailer Tow

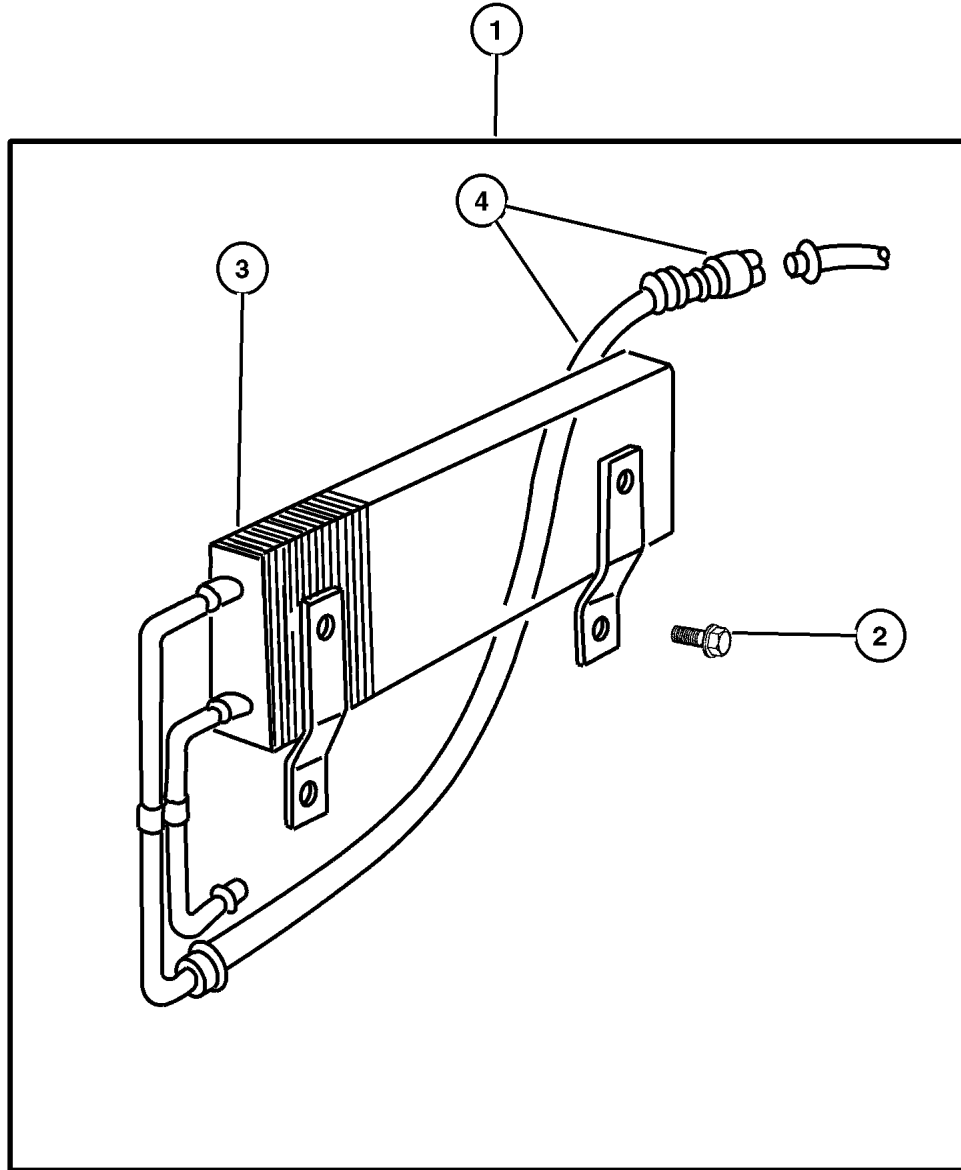


JEEP CHEROKEE (XJ)				
SERIES	LINE	BODY	ENGINE	TRANSMISSION
P = Limited	J = LHD (4WD)	74=4 Dr. (101.4 WB)	ENC, EN0 = 2.5L 4 Cyl Turbo	DDD = 5 Speed Manual
S = Limited	U = RHD (4WD)	72=2 Dr. (101.4 WB)	ERH, ER0 = 4.0L Power Tech	DGS = 4 Speed Auto AISIN
H = Sport	T = LHD (2WD)			DG0 = All Automatic Trans
L = SE	B = RHD (2WD)			DBB = All Manual Trans

AR = Use as required - = Non illustrated part # = New this model year

Cooler Kit - Transmission Oil
Figure 001-290

ITEM	PART NUMBER	QTY	LINE	BODY	DESCRIPTION
1	8220 4191	1	J, T	72, 74	COOLER PACKAGE, Transmission Oil
2					SCREW, Hex Head with Washer .164-18x.818, (NOT SERVICED)
3	52028 516AE	1	J, T	72, 74	COOLER, Auxiliary Oil, Includes: Hose and Connector
4	5003 096AC	1	J, T		HOSE AND CONNECTOR, Oil Cooler

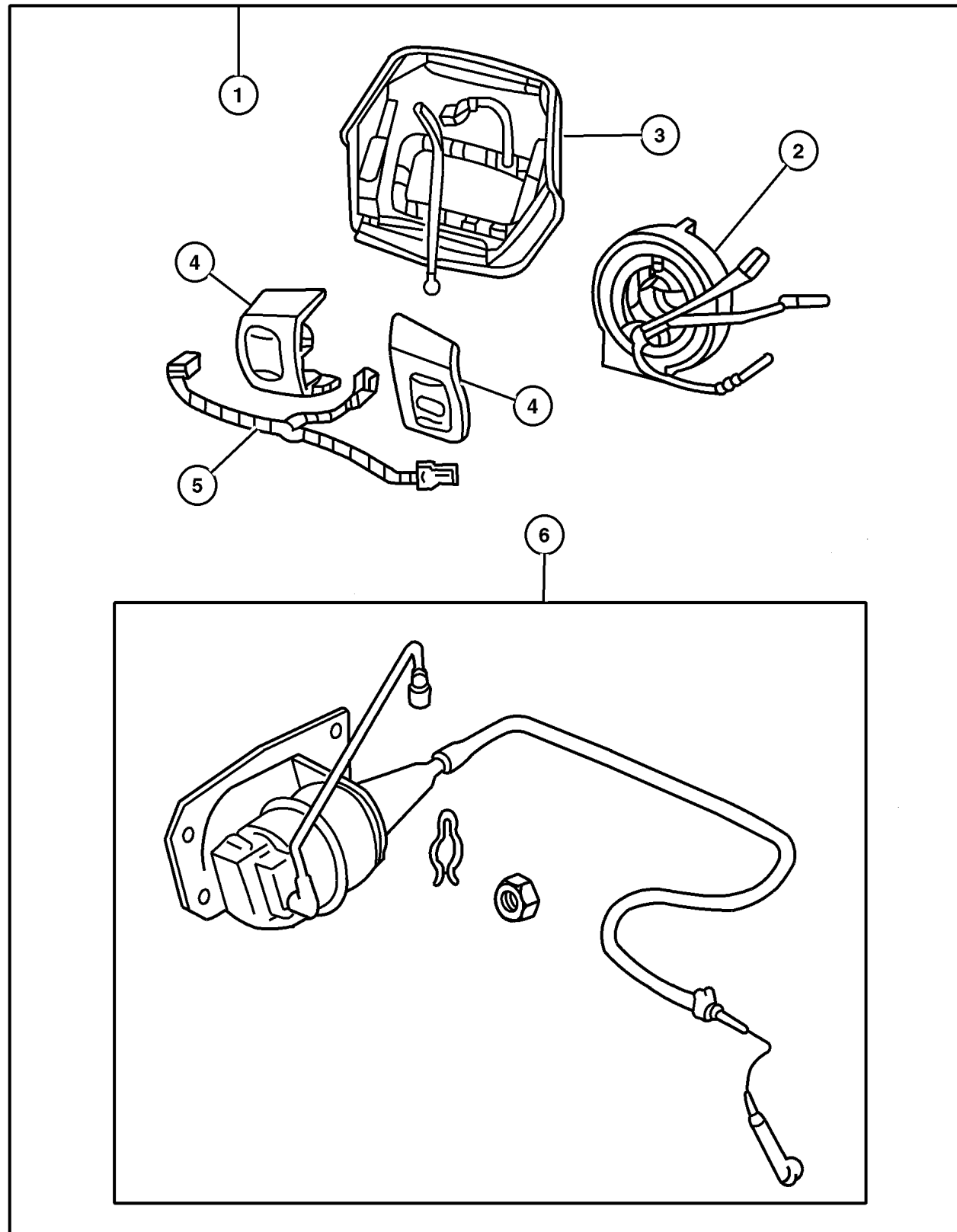


JEEP CHEROKEE (XJ)				
SERIES	LINE	BODY	ENGINE	TRANSMISSION
P = Limited	J = LHD (4WD)	74=4 Dr. (101.4 WB)	ENC, EN0 = 2.5L 4 Cyl Turbo	DDD = 5 Speed Manual
S = Limited	U = RHD (4WD)	72=2 Dr. (101.4 WB)	ERH, ER0 = 4.0L Power Tech	DGS = 4 Speed Auto AISIN
H = Sport	T = LHD (2WD)			DG0 = All Automatic Trans
L = SE	B = RHD (2WD)			DBB = All Manual Trans

AR = Use as required - = Non illustrated part # = New this model year

May 2, 2002

**Speed Control Package
Figure 001-310**



ITEM	PART NUMBER	QTY	LINE	BODY	DESCRIPTION
Note: Servo Package contains Servo , Bracket, Clip, Nut , Vacuum Harness and Cable manual, 12 Disc Magazine.					
1	8220 4703	1			CONTROL PACKAGE, Speed Control
2	5600 9071	1			CLOCKSPRING
3	#5073 556AA	1			COVER, Air Bag Module
4					SWITCH, Speed Control
	56007 530AD	1			Right
	56007 531AD	1			Left
5	5600 9437	1			WIRING, Steering Wheel
6					SERVO PACKAGE, Speed Control, Serviced Parts Listed in Group 14 - Speed Control, (NOT SERVICED)

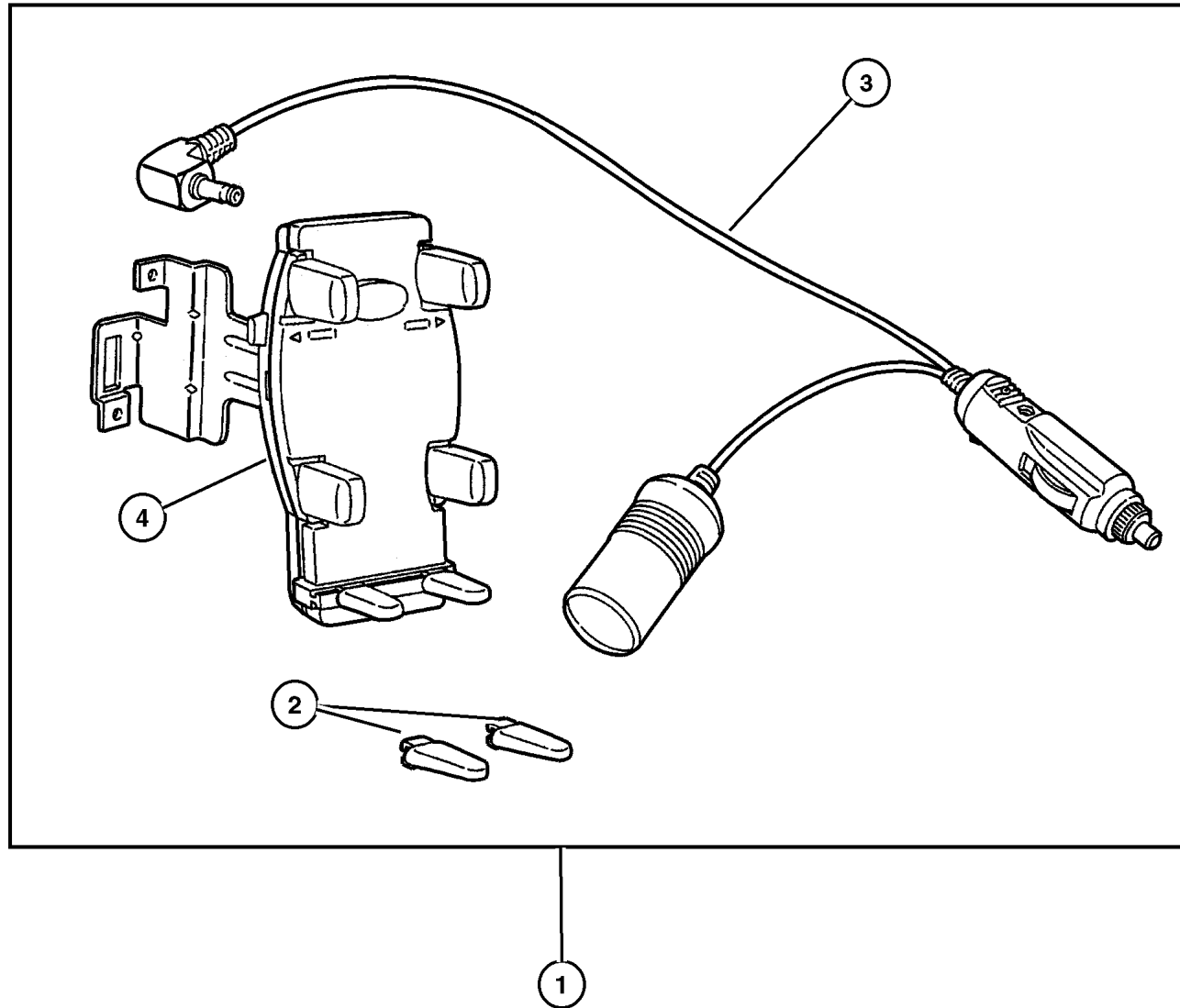
JEEP CHEROKEE (XJ)				
SERIES	LINE	BODY	ENGINE	TRANSMISSION
P = Limited	J = LHD (4WD)	74=4 Dr. (101.4 WB)	ENC, EN0 = 2.5L 4 Cyl Turbo	DDD = 5 Speed Manual
S = Limited	U = RHD (4WD)	72=2 Dr. (101.4 WB)	ERH, ER0 = 4.0L Power Tech	DGS = 4 Speed Auto AISIN
H = Sport	T = LHD (2WD)			DG0 = All Automatic Trans
L = SE	B = RHD (2WD)			DBB = All Manual Trans

AR = Use as required - = Non illustrated part # = New this model year

May 2, 2002

Mounting Kit - Cellular Phone
Figure 001-320

ITEM	PART NUMBER	QTY	LINE	BODY	DESCRIPTION
NOTE; Smart Holder and Bracket Assy. with Jeep Logo, Bracket to be black powder coated low gloss. manual, 12 Disc Magazine.					
NOTE: Holder is free of knee and airbag deployment area. manual, 12 Disc Magazine.					
1	8220 5274	1	J, T	72, 74	MOUNTING KIT, Cellular Phone
2	5018 103AA	1	J, T	72, 74	HARDWARE KIT, Accessory, Consists of : 1-Set of Long Support Feet.
3	5019 524AA	1	J, T	72, 74	CORD, Cellular Phone, 6' Cord with 'Y' Accessory Feed.
4					HOLDER KIT, Cellular Phone, Serviced in assembly, (NOT SERVICED)

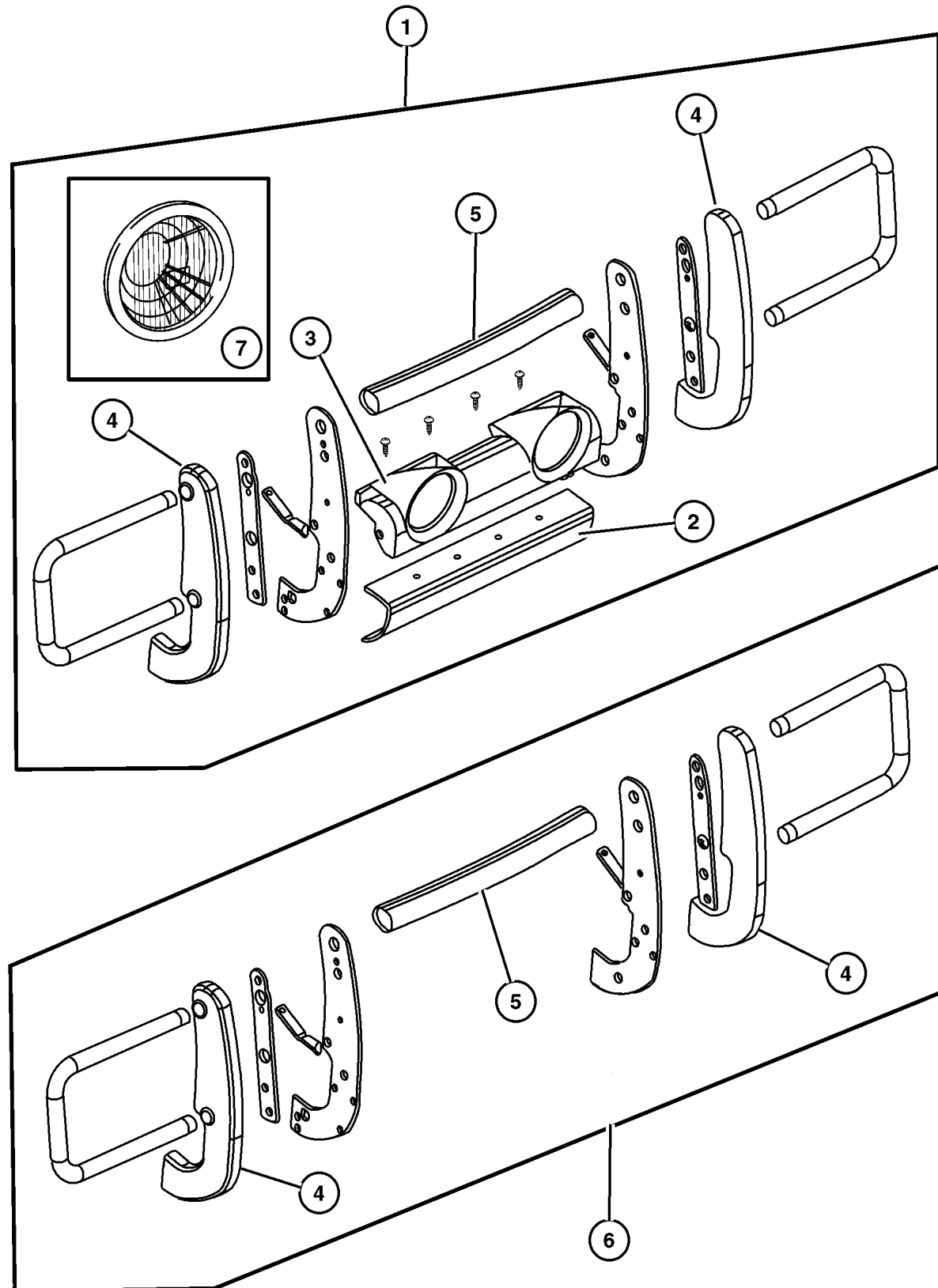


JEEP CHEROKEE (XJ)				
SERIES	LINE	BODY	ENGINE	TRANSMISSION
P = Limited	J = LHD (4WD)	74=4 Dr. (101.4 WB)	ENC, EN0 = 2.5L 4 Cyl Turbo	DDD = 5 Speed Manual
S = Limited	U = RHD (4WD)	72=2 Dr. (101.4 WB)	ERH, ER0 = 4.0L Power Tech	DGS = 4 Speed Auto AISIN
H = Sport	T = LHD (2WD)			DG0 = All Automatic Trans
L = SE	B = RHD (2WD)			DBB = All Manual Trans

AR = Use as required - = Non illustrated part # = New this model year

May 2, 2002

**Brush Guard
Figure 001-410**



ITEM	PART NUMBER	QTY	LINE	BODY	DESCRIPTION
1					GUARD KIT, Brush, With Fog Lamps and Lower Fascia
	8220 3417	1	J, T	72, 74	Natural Aluminum
	8220 3418	1	J, T	72, 74	Chromed Steel
	8220 3419	1	J, T	72, 74	Black Steel
2	5066 461AA	1	J, T	72, 74	FASCIA, Front, Primed
3	5019 289AA	1	J, T	72, 74	HOUSING, Fog Lamp
4	5019 288AA	1	J, T	72, 74	END CAP, Grille Guard
5	5066 491AA	1	J, T	72, 74	CROSSTUBE, Grille Guard, Chromed
6					GUARD KIT, Brush
	8220 3340	1	J, T	72, 74	Natural Aluminum
	8220 3341	1	J, T	72, 74	Chromed Steel
	8220 3342	1	J, T	72, 74	Black Steel
7	8220 4418	1	J, T	72, 74	LIGHT PACKAGE, Fog
-8	4864 773	1	J, T	72, 74	RETAINER, Fog Lamp Bulb
-9	L00H 355W	1	J, T	72, 74	BULB, Fog Lamp, H-3 55 WATT

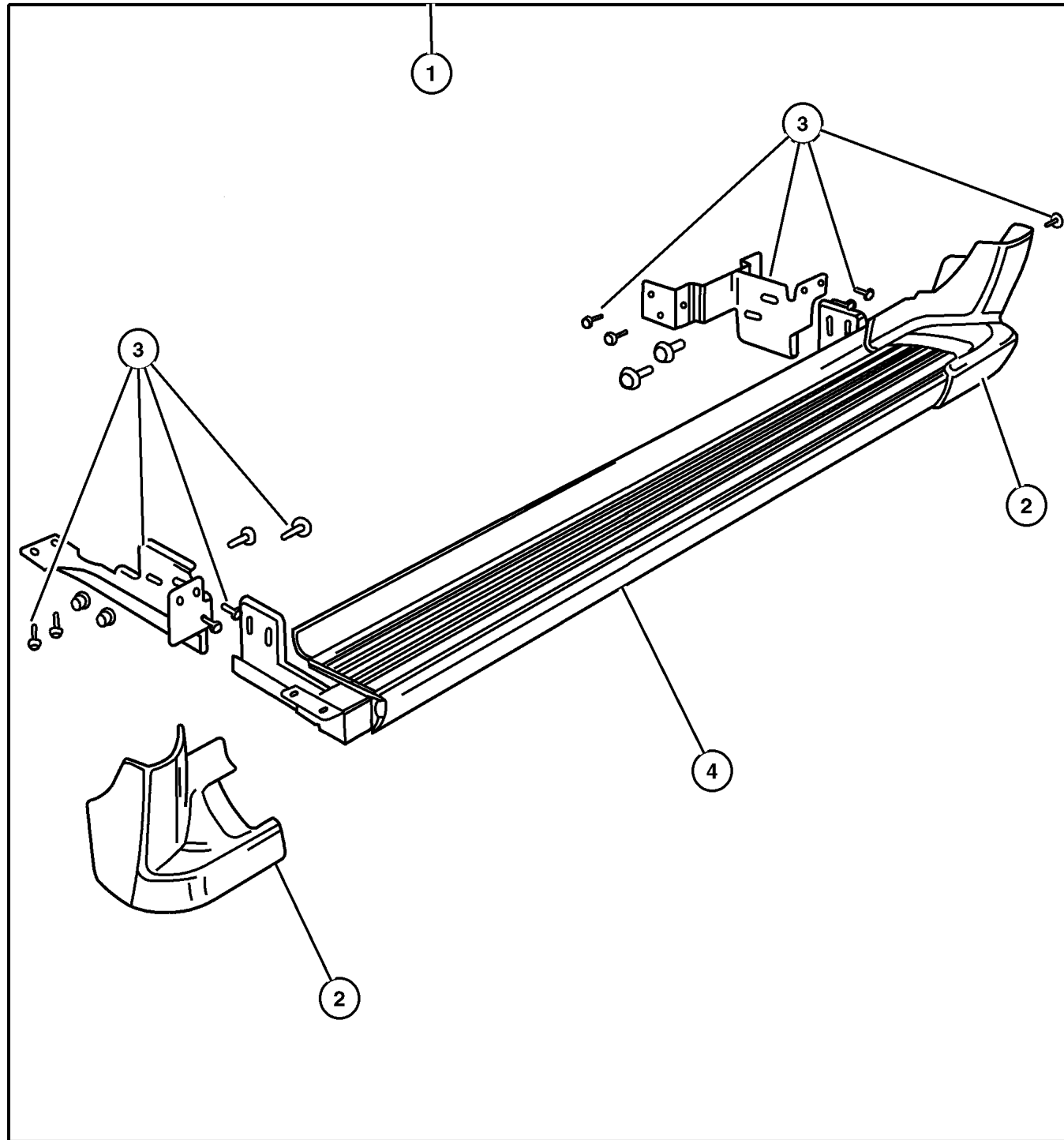
JEEP CHEROKEE (XJ)

SERIES	LINE	BODY	ENGINE	TRANSMISSION
P = Limited	J = LHD (4WD)	74=4 Dr. (101.4 WB)	ENC, EN0 = 2.5L 4 Cyl Turbo	DDD = 5 Speed Manual
S = Limited	U = RHD (4WD)	72=2 Dr. (101.4 WB)	ERH, ER0 = 4.0L Power Tech	DGS = 4 Speed Auto AISIN
H = Sport	T = LHD (2WD)			DG0 = All Automatic Trans
L = SE	B = RHD (2WD)			DBB = All Manual Trans

AR = Use as required - = Non illustrated part # = New this model year

May 2, 2002

Running Board Kit
Figure 001-430



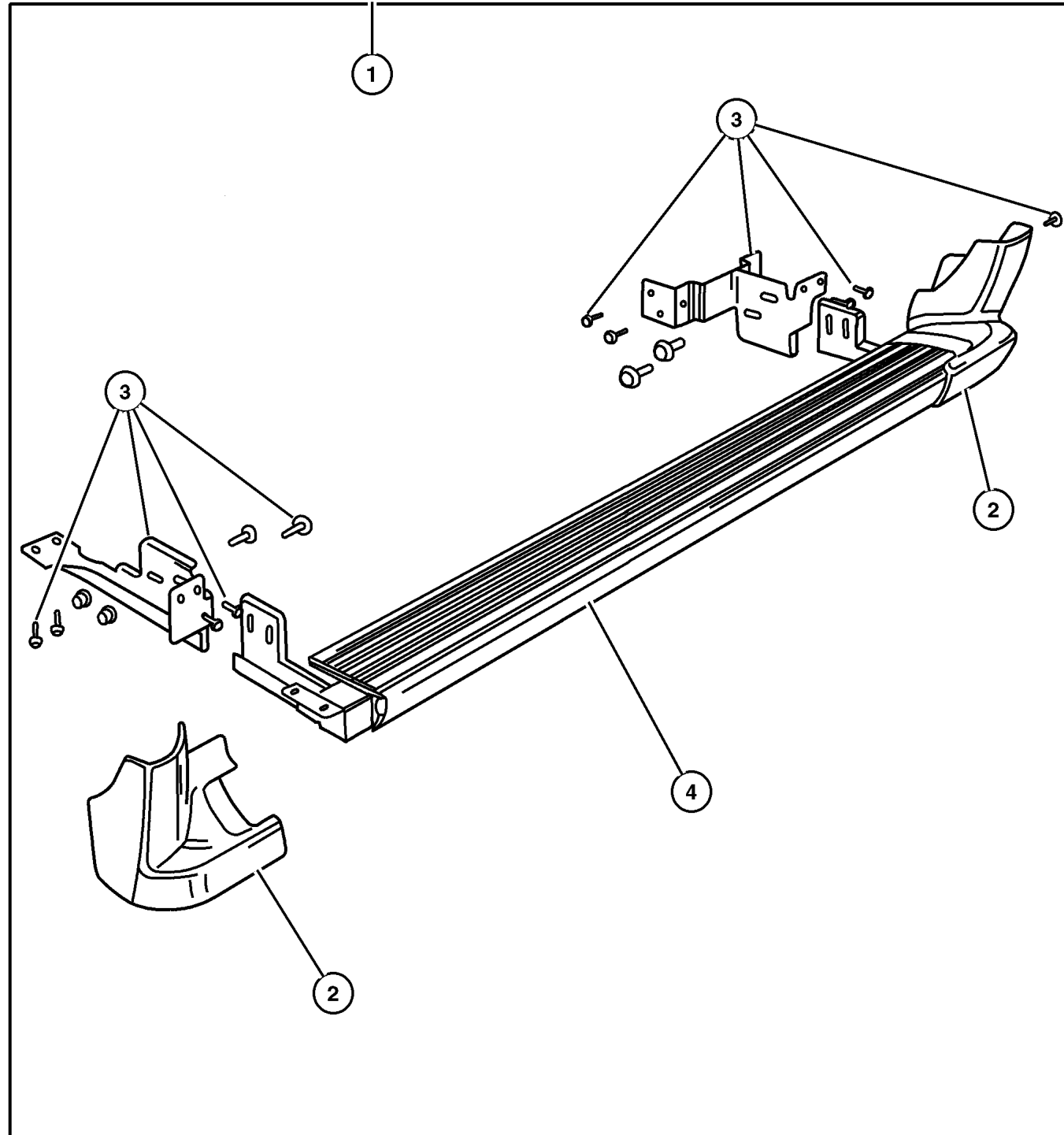
ITEM	PART NUMBER	QTY	LINE	BODY	DESCRIPTION
1					RUNNING BOARD KIT, Full
	8220 2701	1	J, T	72, 74	Black, Low Gloss
	8220 2702	1	J, T	72, 74	Black [PX8]
	8220 2703	1	J, T	72, 74	Flame Red [PR4]
	8220 2706	1	J, T	72, 74	Stone White [PW1]
	8220 4906	1	J, T	72, 74	Forrest Green [PG8]
	8220 5765	1	J, T	72, 74	Patriot Blue [WBT]
	8220 5766	1	J, T	72, 74	Sienna [WU7]
	8220 5767	1	J, T	72, 74	Silverstone Metallic [XS5]
2	5019 260AA	1	J, T	72, 74	END CAP, Running Board
3					HARDWARE KIT, Running Board
	5019 261AA	1	J, T	72, 74	Left
	5019 262AA	1	J, T	72, 74	Right
4	5019 263AA	1	J, T	72, 74	RUNNING BOARD, Board

JEEP CHEROKEE (XJ)				
SERIES	LINE	BODY	ENGINE	TRANSMISSION
P = Limited	J = LHD (4WD)	74=4 Dr. (101.4 WB)	ENC, EN0 = 2.5L 4 Cyl Turbo	DDD = 5 Speed Manual
S = Limited	U = RHD (4WD)	72=2 Dr. (101.4 WB)	ERH, ER0 = 4.0L Power Tech	DGS = 4 Speed Auto AISIN
H = Sport	T = LHD (2WD)			DG0 = All Automatic Trans
L = SE	B = RHD (2WD)			DBB = All Manual Trans

AR = Use as required - = Non illustrated part # = New this model year

May 2, 2002

Step Kit - Side Molded
Figure 001-432



ITEM	PART NUMBER	QTY	LINE	BODY	DESCRIPTION
1	8220 3399	1	J, T	72, 74	STEP KIT, Side
2	5010 731AA	1			END CAP, Running Board, Stone White [PW1]
3					HARDWARE KIT, Running Board
	5019 261AA	1	J, T	72, 74	Left
	5019 262AA	1	J, T	72, 74	Right
4	5010 740AA	1			STEP KIT, Left Side
-5	5010 749AA	1			STEP KIT, Right Side

JEEP CHEROKEE (XJ)				
SERIES	LINE	BODY	ENGINE	TRANSMISSION
P = Limited	J = LHD (4WD)	74=4 Dr. (101.4 WB)	ENC, EN0 = 2.5L 4 Cyl Turbo	DDD = 5 Speed Manual
S = Limited	U = RHD (4WD)	72=2 Dr. (101.4 WB)	ERH, ER0 = 4.0L Power Tech	DGS = 4 Speed Auto AISIN
H = Sport	T = LHD (2WD)			DG0 = All Automatic Trans
L = SE	B = RHD (2WD)			DBB = All Manual Trans

AR = Use as required - = Non illustrated part # = New this model year

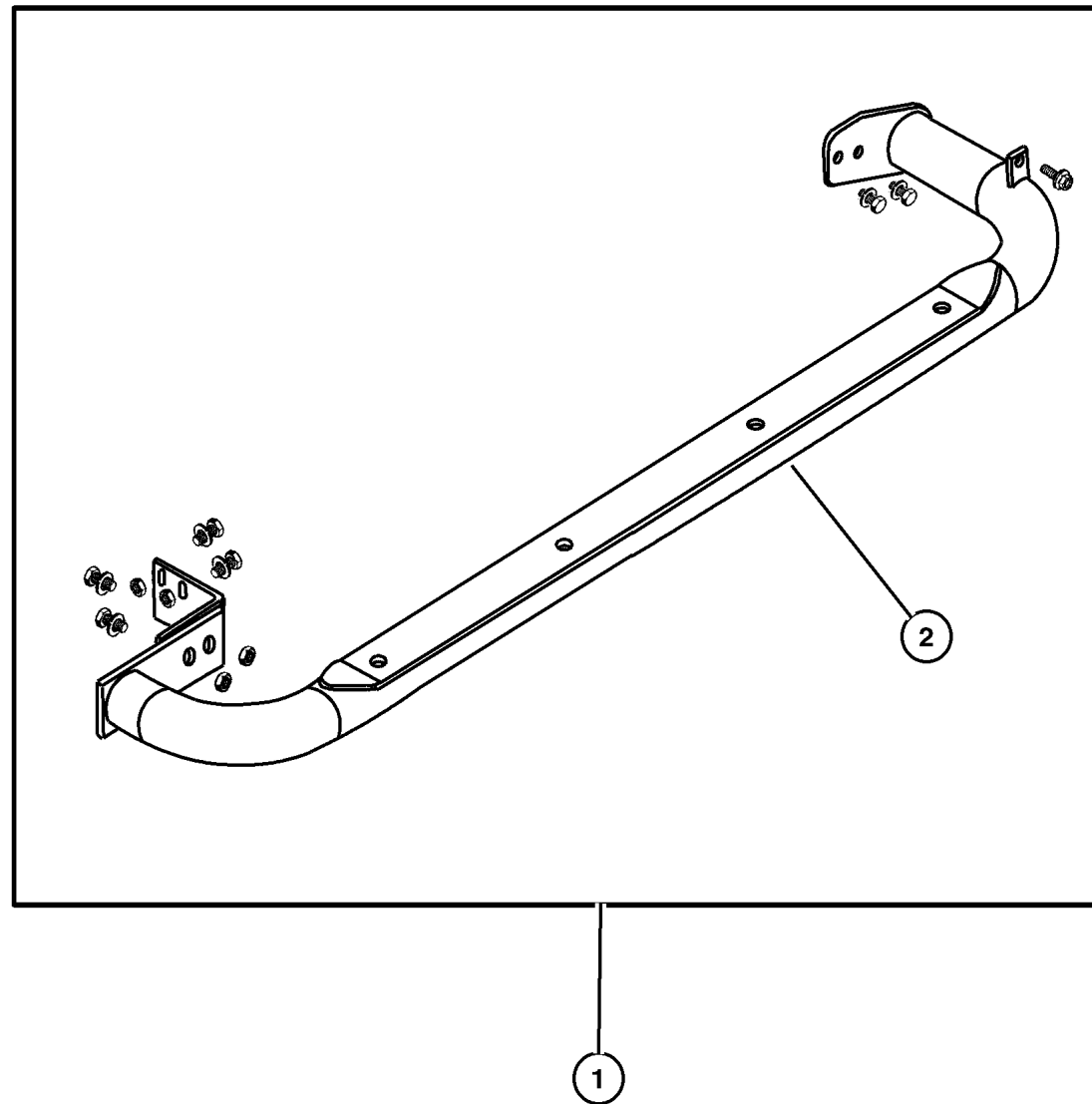
May 2, 2002

Step Kit - Side Tubular
Figure 001-434

ITEM	PART NUMBER	QTY	LINE	BODY	DESCRIPTION
------	-------------	-----	------	------	-------------

NOTE: Each Right and Left Kit contains it's own Mounting Bracket and Hardware. manual, 12 Disc Magazine.

1					STEP KIT, Tubular Side, Right and Left Steps Included
	8220 3388	1	J, T	72, 74	Natural Aluminum
	8220 3390	1	J, T	72, 74	Chromed Steel
	8220 3391	1	J, T	72, 74	Black Steel
2					STEP KIT, Tubular Side
	5019 269AA	1	J, T	72, 74	Natural Aluminum, Left
	5019 272AA	1	J, T	72, 74	Natural Aluminum, Right
	5019 273AA	1	J, T	72, 74	Chromed Steel, Left
	5019 274AA	1	J, T	72, 74	Chromed Steel, Right
	5019 275AA	1	J, T	72, 74	Black Steel, Left
	5019 276AA	1	J, T	72, 74	Black Steel, Right



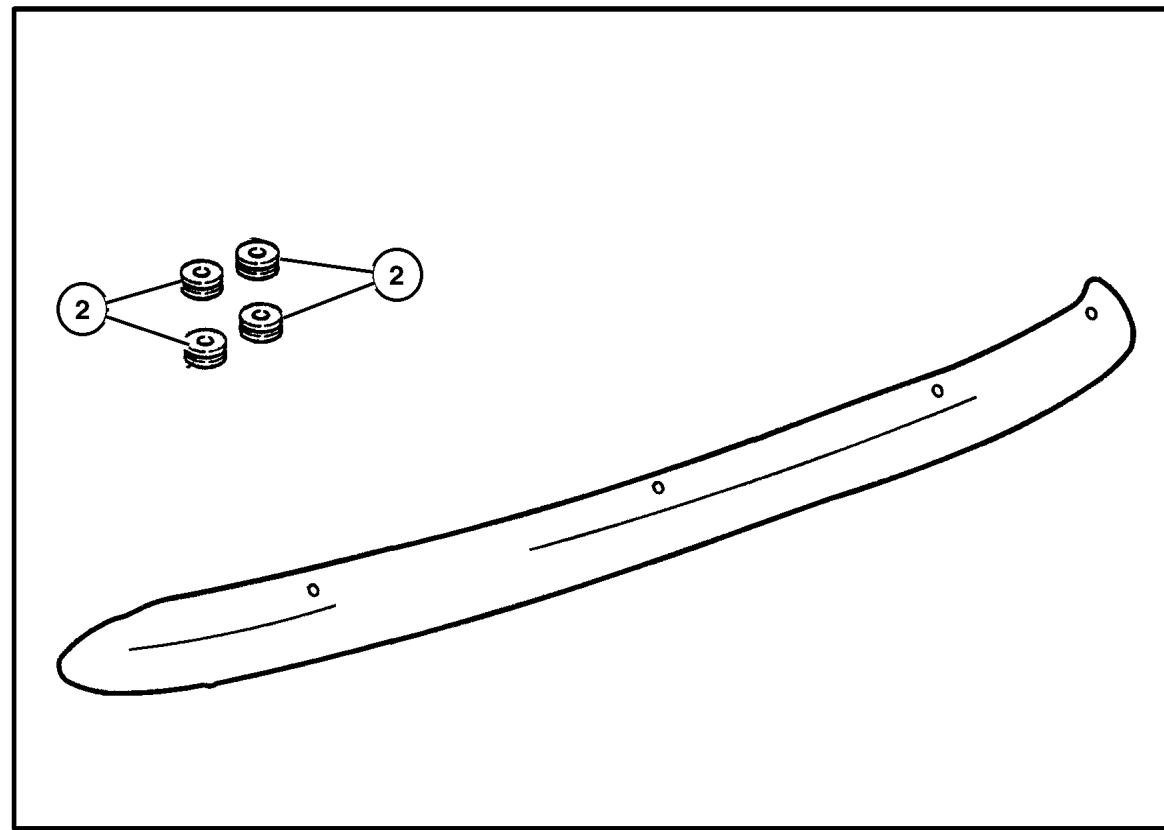
JEEP CHEROKEE (XJ)				
SERIES	LINE	BODY	ENGINE	TRANSMISSION
P = Limited	J = LHD (4WD)	74=4 Dr. (101.4 WB)	ENC, EN0 = 2.5L 4 Cyl Turbo	DDD = 5 Speed Manual
S = Limited	U = RHD (4WD)	72=2 Dr. (101.4 WB)	ERH, ER0 = 4.0L Power Tech	DGS = 4 Speed Auto AISIN
H = Sport	T = LHD (2WD)			DG0 = All Automatic Trans
L = SE	B = RHD (2WD)			DBB = All Manual Trans

AR = Use as required - = Non illustrated part # = New this model year

May 2, 2002

**Shield Kit
Figure 001-510**

ITEM	PART NUMBER	QTY	LINE	BODY	DESCRIPTION
1	8220 3379	1	J, T	72, 74	SHIELD KIT, Air - Front
2	5014 754AA	1	J, T	74	SPACER, Air Deflector



1

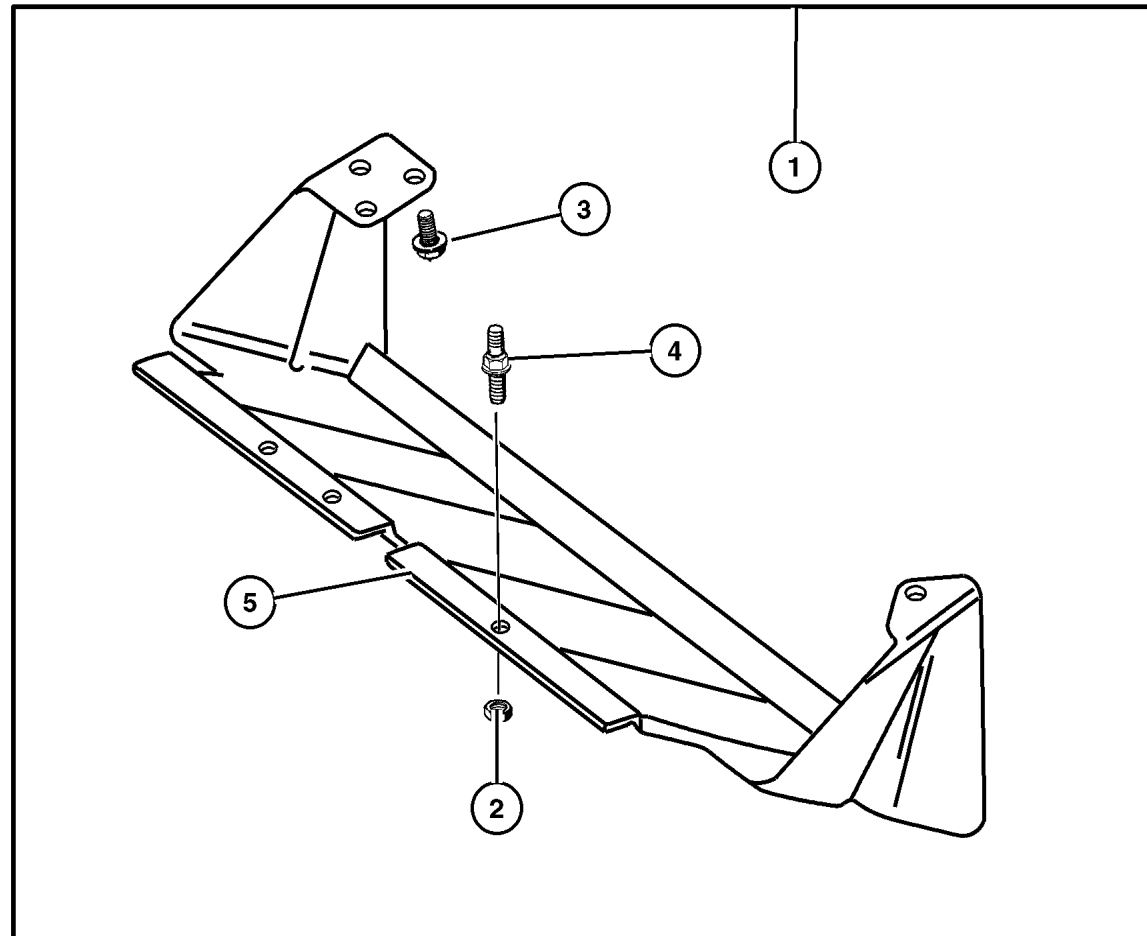
JEEP CHEROKEE (XJ)				
SERIES	LINE	BODY	ENGINE	TRANSMISSION
P = Limited	J = LHD (4WD)	74=4 Dr. (101.4 WB)	ENC, EN0 = 2.5L 4 Cyl Turbo	DDD = 5 Speed Manual
S = Limited	U = RHD (4WD)	72=2 Dr. (101.4 WB)	ERH, ER0 = 4.0L Power Tech	DGS = 4 Speed Auto AISIN
H = Sport	T = LHD (2WD)			DG0 = All Automatic Trans
L = SE	B = RHD (2WD)			DBB = All Manual Trans

AR = Use as required - = Non illustrated part # = New this model year

May 2, 2002

Skid Plate - Front
Figure 001-520

ITEM	PART NUMBER	QTY	LINE	BODY	DESCRIPTION
1	8220 2851	1			PLATE PACKAGE, Skid - Front
2					NUT AND WASHER, Hex Flange, M8x1.25, Serviced in Assembly , (NOT SERVICED)
3	6502 467	1			SCREW AND WASHER, Hex Head, M10x1.5x30
4	3420 2209	1	J, T	72, 74	STUD, Collared, M8x1.25x44.00
5					SKID PLATE, Front, Serviced in Assembly , (NOT SERVICED)



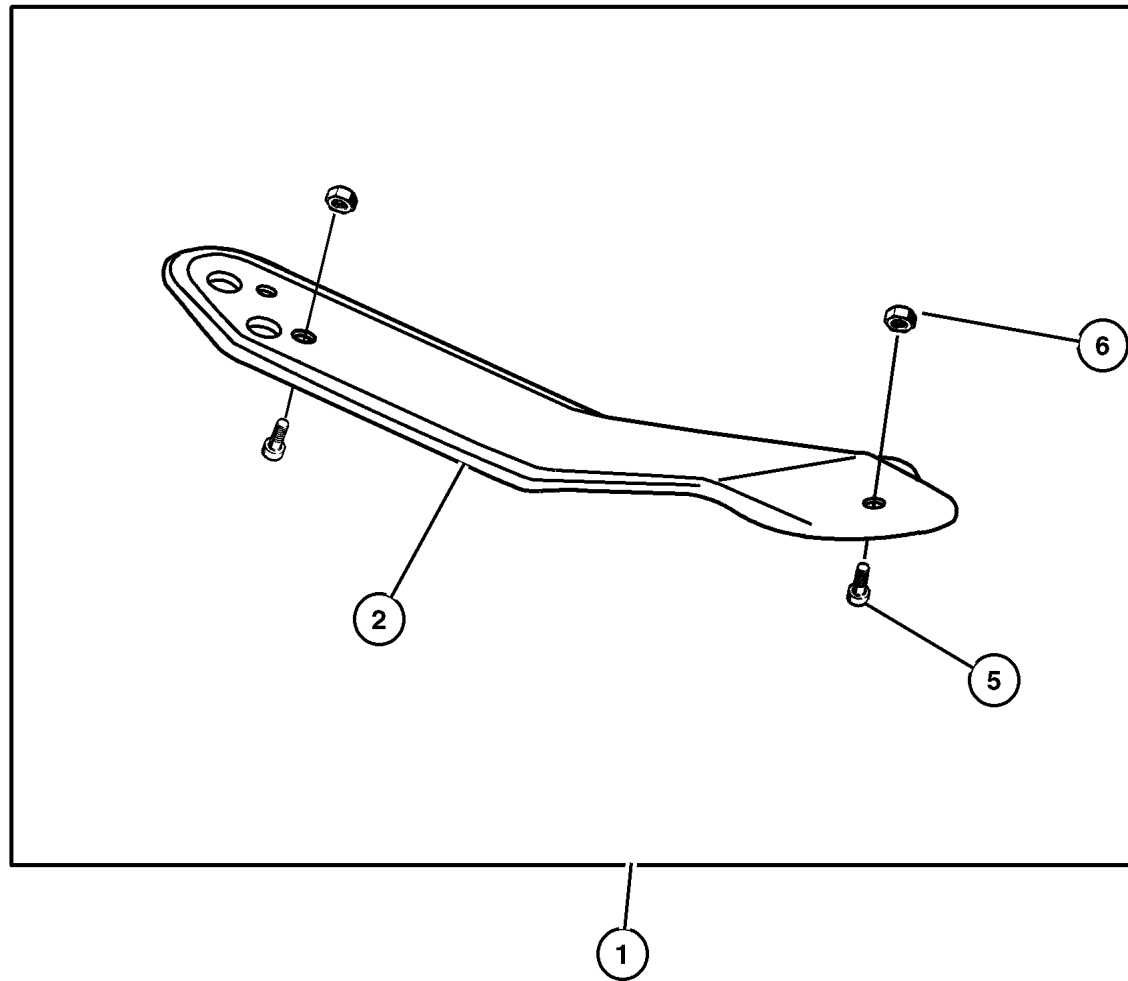
JEEP CHEROKEE (XJ)				
SERIES	LINE	BODY	ENGINE	TRANSMISSION
P = Limited	J = LHD (4WD)	74=4 Dr. (101.4 WB)	ENC, EN0 = 2.5L 4 Cyl Turbo	DDD = 5 Speed Manual
S = Limited	U = RHD (4WD)	72=2 Dr. (101.4 WB)	ERH, ER0 = 4.0L Power Tech	DGS = 4 Speed Auto AISIN
H = Sport	T = LHD (2WD)			DG0 = All Automatic Trans
L = SE	B = RHD (2WD)			DBB = All Manual Trans

AR = Use as required - = Non illustrated part # = New this model year

May 2, 2002

Skid Plate - Transfer Case
Figure 001-522

ITEM	PART NUMBER	QTY	LINE	BODY	DESCRIPTION
1	8220 5147	1	J	72, 74	PLATE PACKAGE, Skid - Transfer Case
2					PLATE, Transfer Case Skid, Serviced in Assembly , (NOT SERVICED)
-3	5011 659AA	1	J	72, 74	RIVNUT, Installation
-4	#5066 562AA	1	J	72, 74	TOOL, Rivnut
5	1150 2850	1	J	72, 74	BOLT, Hex Flange Head, M8x1.25x20
6	3420 1575	1	J	72, 74	NUT, Insert, M8 x 1.25 x 18.29



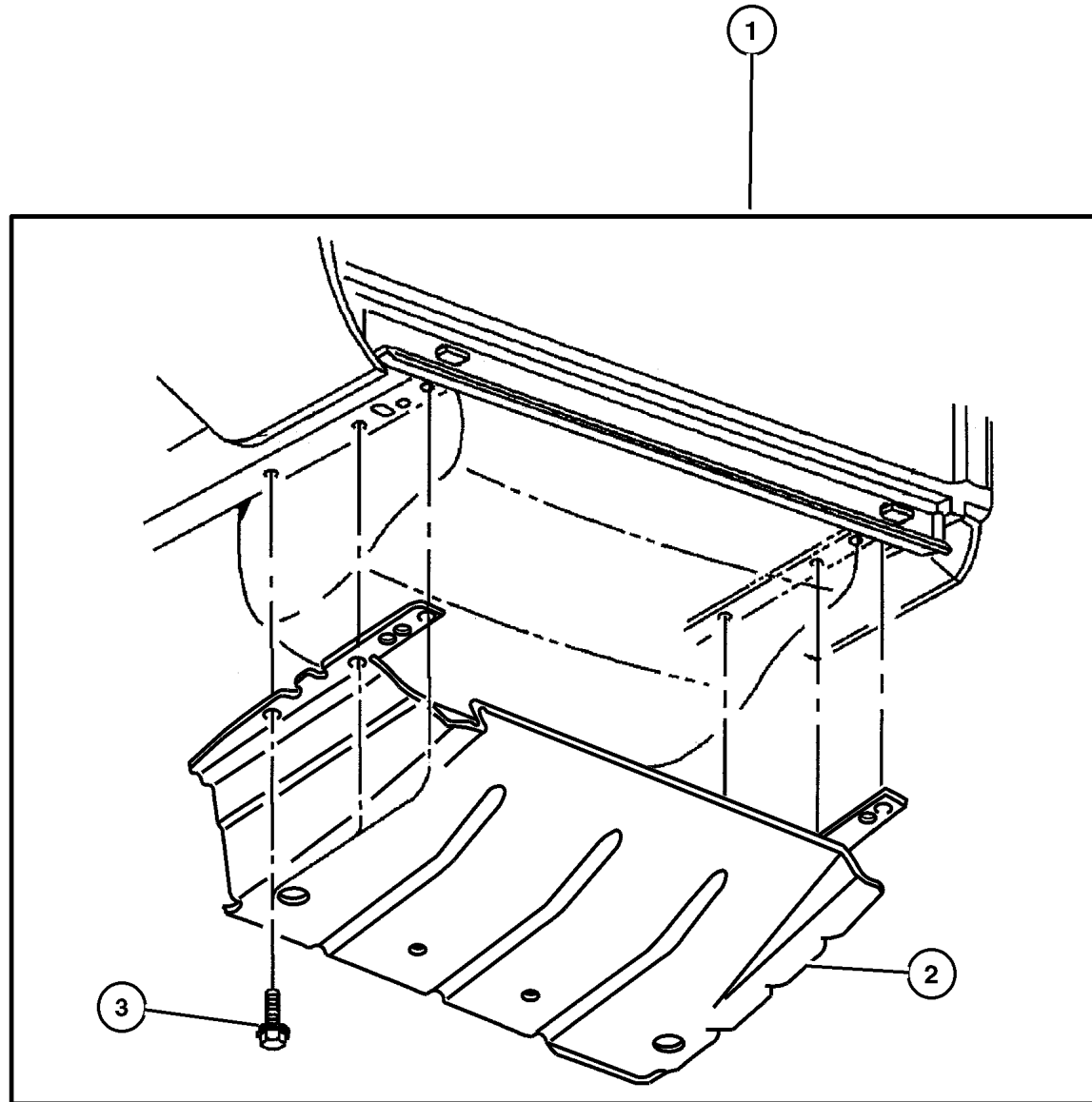
JEEP CHEROKEE (XJ)				
SERIES	LINE	BODY	ENGINE	TRANSMISSION
P = Limited	J = LHD (4WD)	74=4 Dr. (101.4 WB)	ENC, EN0 = 2.5L 4 Cyl Turbo	DDD = 5 Speed Manual
S = Limited	U = RHD (4WD)	72=2 Dr. (101.4 WB)	ERH, ER0 = 4.0L Power Tech	DGS = 4 Speed Auto AISIN
H = Sport	T = LHD (2WD)			DG0 = All Automatic Trans
L = SE	B = RHD (2WD)			DBB = All Manual Trans

AR = Use as required - = Non illustrated part # = New this model year

May 2, 2002

Skid Plate - Fuel Tank
Figure 001-524

ITEM	PART NUMBER	QTY	LINE	BODY	DESCRIPTION
1	8220 3726	1	J, T	72, 74	SKID PLATE PACKAGE, Fuel Tank
2	52100 328AA	1	J, T	72, 74	PLATE, Skid
3	3420 1964	6			BOLT, Hex Flange Head, M12x1.75x40
-4					REINFORCEMENT, Sill
	5200 1174	1	J, T	72, 74	Right
	5200 1175	1	J, T	72, 74	Left
-5	1150 1060	5			NUT, Hex, M12x1.75



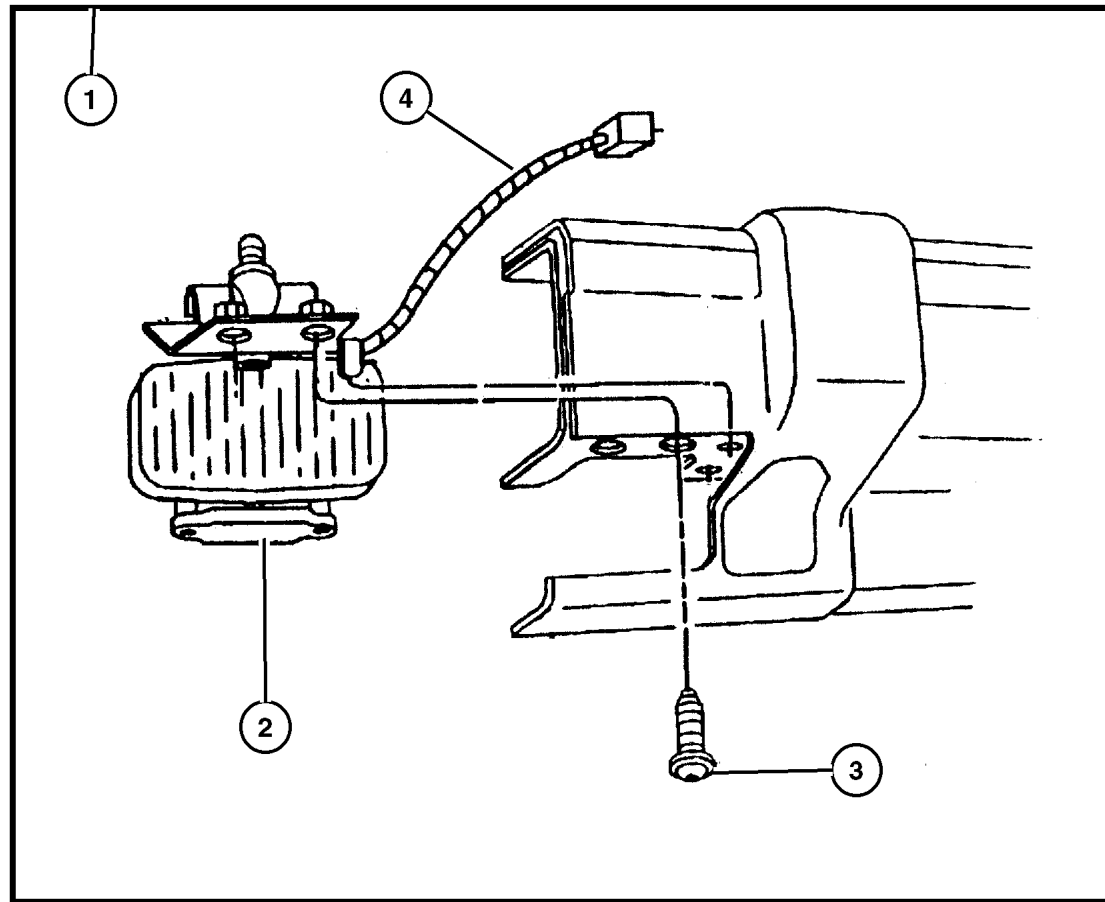
JEEP CHEROKEE (XJ)				
SERIES	LINE	BODY	ENGINE	TRANSMISSION
P = Limited	J = LHD (4WD)	74=4 Dr. (101.4 WB)	ENC, EN0 = 2.5L 4 Cyl Turbo	DDD = 5 Speed Manual
S = Limited	U = RHD (4WD)	72=2 Dr. (101.4 WB)	ERH, ER0 = 4.0L Power Tech	DGS = 4 Speed Auto AISIN
H = Sport	T = LHD (2WD)			DG0 = All Automatic Trans
L = SE	B = RHD (2WD)			DBB = All Manual Trans

AR = Use as required - = Non illustrated part # = New this model year

May 2, 2002

Light Kit - Fog
Figure 001-610

ITEM	PART NUMBER	QTY	LINE	BODY	DESCRIPTION
1	8220 3403	1	J, T	72, 74	LIGHT PACKAGE, Fog
2					LAMP AND BRACKET, Off Road Lamp
	55055 274AB	1	J, T	72, 74	Right Side
	55055 275AB	1	J, T	72, 74	Left Side
3	6503 448	1	J, T	72, 74	SCREW, Round Head, M8x1.25x30
4	8220 3670	1	J, T	72, 74	WIRING, Fog Lamp



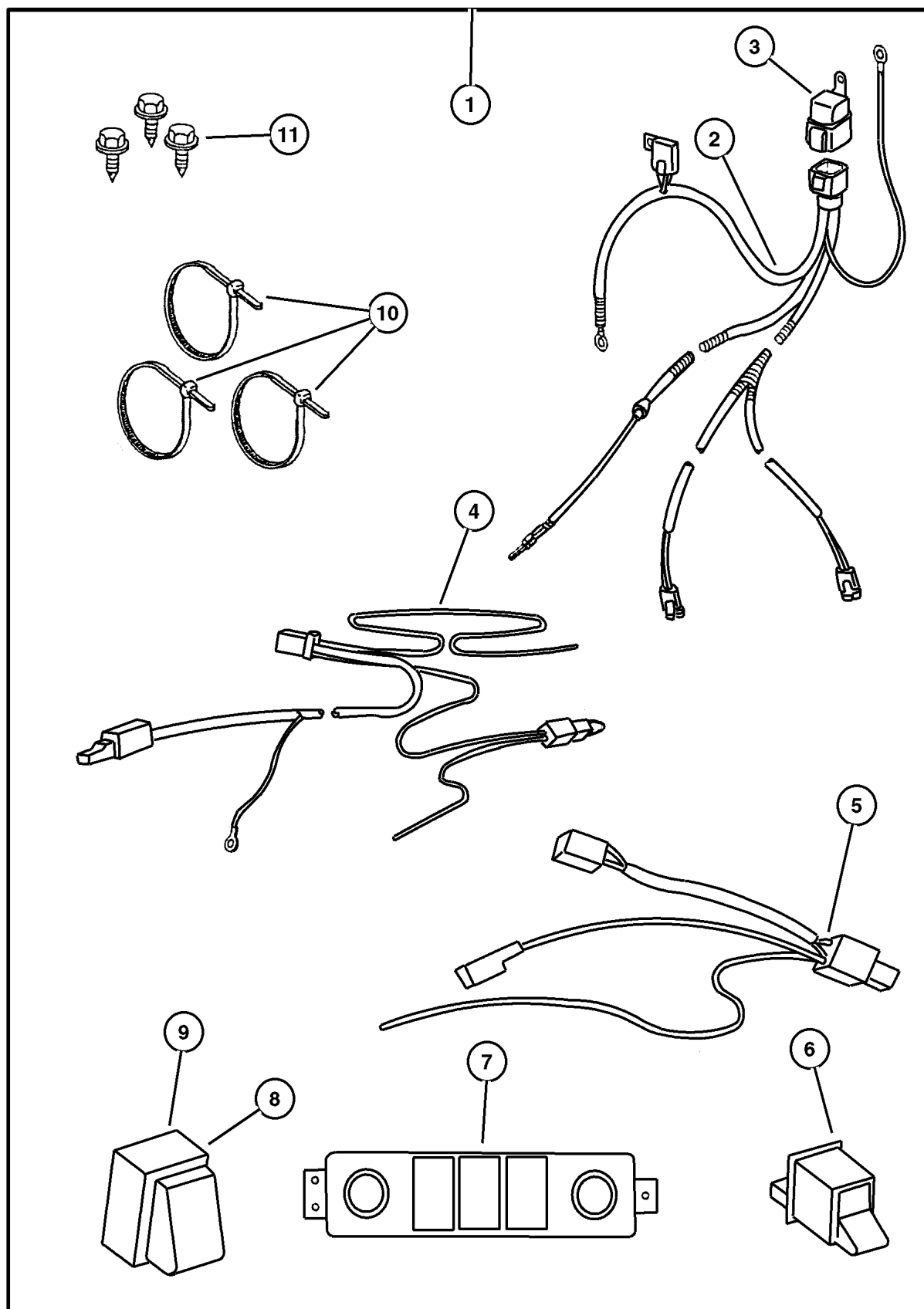
JEEP CHEROKEE (XJ)				
SERIES	LINE	BODY	ENGINE	TRANSMISSION
P = Limited	J = LHD (4WD)	74=4 Dr. (101.4 WB)	ENC, EN0 = 2.5L 4 Cyl Turbo	DDD = 5 Speed Manual
S = Limited	U = RHD (4WD)	72=2 Dr. (101.4 WB)	ERH, ER0 = 4.0L Power Tech	DGS = 4 Speed Auto AISIN
H = Sport	T = LHD (2WD)			DG0 = All Automatic Trans
L = SE	B = RHD (2WD)			DBB = All Manual Trans

AR = Use as required - = Non illustrated part # = New this model year

May 2, 2002

Installation Kit - Fog
Figure 001-616

ITEM	PART NUMBER	QTY	LINE	BODY	DESCRIPTION
1	8220 4235	1	J, T	72, 74	INSTALL PACKAGE, Off Road Light
2					WIRING KIT, Fog Light, (NOT SERVICED)
3	4638 271	1	J, T	72, 74	RELAY PACKAGE, Electrical
4					WIRING, Jumper, Switch, (NOT SERVICED)
5					WIRING, Hi Beam Cut/Off, (NOT SERVICED)
6	5600 7247	1	J, T	72, 74	SWITCH, Fog Lamp
7	4897 502AF	1	J, T	72, 74	BEZEL, Switch
8	5600 7329	1	J, T	72, 74	PLUG, Switch Opening, Heated Back Light
9	5600 7330	1	J, T	72, 74	PLUG, Switch Opening, Wiper Washer
10					STRAP, Tie, (NOT SERVICED)
11					SCREW, Hex Head, (NOT SERVICED)



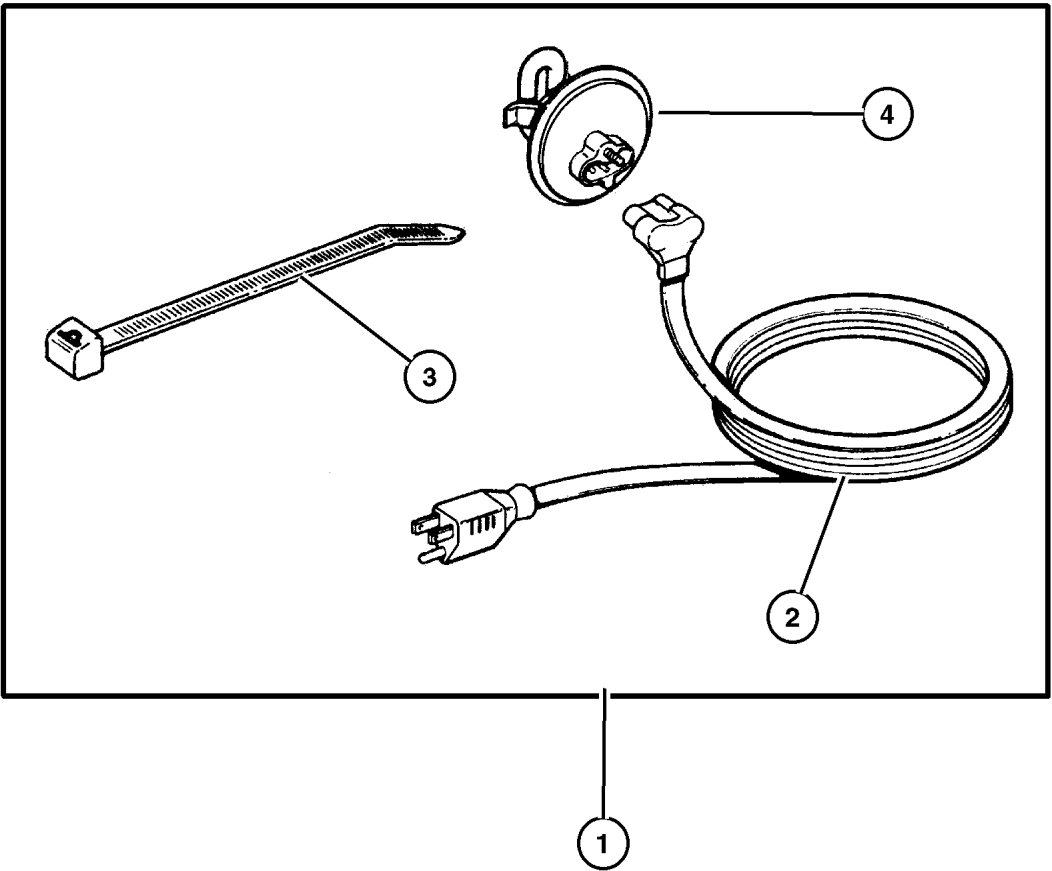
JEEP CHEROKEE (XJ)				
SERIES	LINE	BODY	ENGINE	TRANSMISSION
P = Limited	J = LHD (4WD)	74=4 Dr. (101.4 WB)	ENC, EN0 = 2.5L 4 Cyl Turbo	DDD = 5 Speed Manual
S = Limited	U = RHD (4WD)	72=2 Dr. (101.4 WB)	ERH, ER0 = 4.0L Power Tech	DGS = 4 Speed Auto AISIN
H = Sport	T = LHD (2WD)			DG0 = All Automatic Trans
L = SE	B = RHD (2WD)			DBB = All Manual Trans

AR = Use as required - = Non illustrated part # = New this model year

May 2, 2002

**Heater Kit Engine Block
Figure 001-620**

ITEM	PART NUMBER	QTY	LINE	BODY	DESCRIPTION
1	8220 1506	1	J, T	72, 74	HEATER PACKAGE, Engine Block
2	J575 2677	1	J, T	72, 74	CORD, Engine Block Heater
3	4641 780	1	J, T	72, 74	STRAP, Tie
4					HEATER, Engine Block, Serviced only in package, (NOT SERVICED)

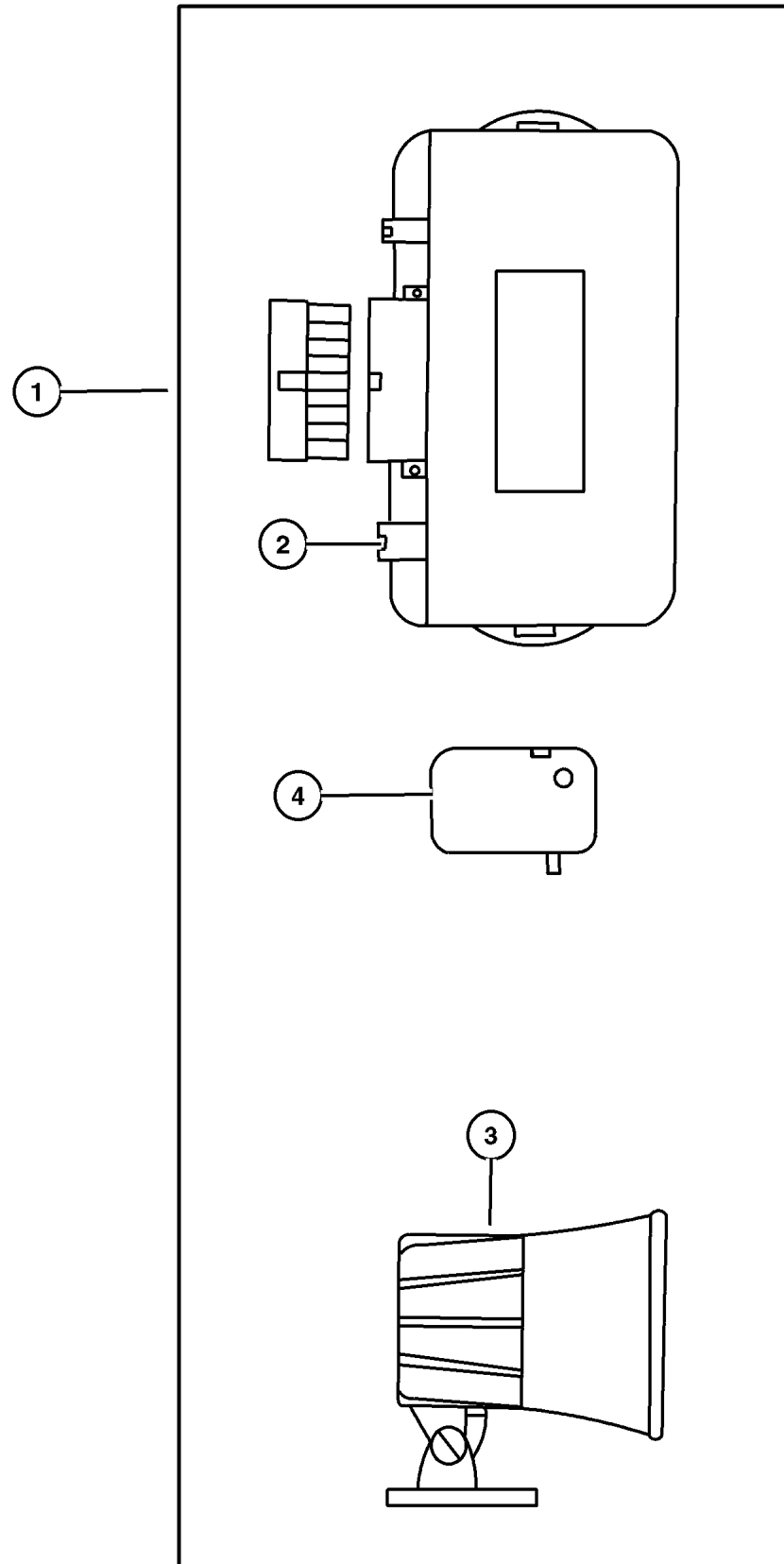


JEEP CHEROKEE (XJ)				
SERIES	LINE	BODY	ENGINE	TRANSMISSION
P = Limited	J = LHD (4WD)	74=4 Dr. (101.4 WB)	ENC, EN0 = 2.5L 4 Cyl Turbo	DDD = 5 Speed Manual
S = Limited	U = RHD (4WD)	72=2 Dr. (101.4 WB)	ERH, ER0 = 4.0L Power Tech	DGS = 4 Speed Auto AISIN
H = Sport	T = LHD (2WD)			DG0 = All Automatic Trans
L = SE	B = RHD (2WD)			DBB = All Manual Trans

AR = Use as required - = Non illustrated part # = New this model year

May 2, 2002

**Alarm - EVS Base System
Figure 001-910**



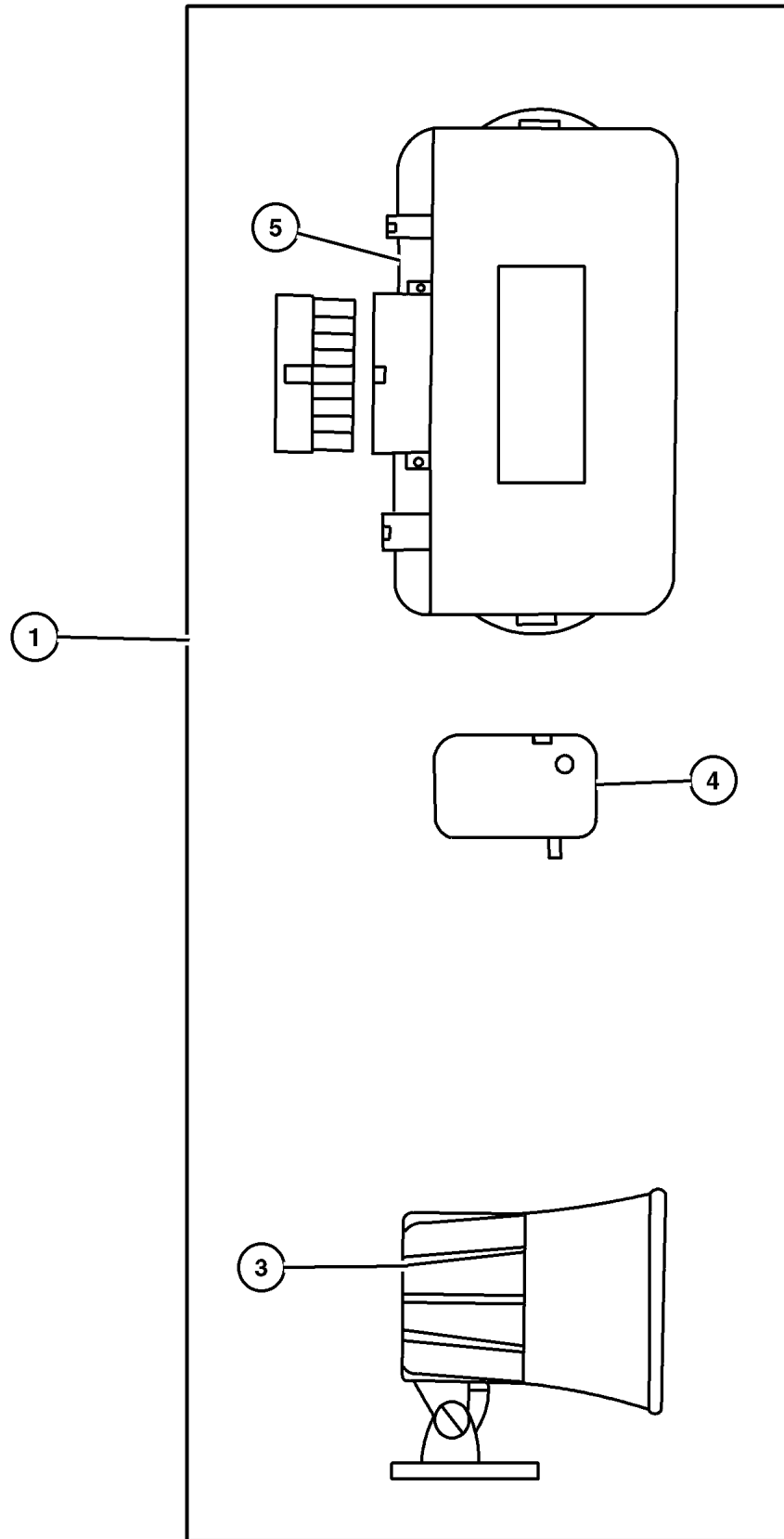
ITEM	PART NUMBER	QTY	LINE	BODY	DESCRIPTION
1	8220 3763	1	J, T	72, 74	MODULE KIT, Alarm without Keyless
2	5012 164AA	1	J, T	72, 74	MODULE, Security Alarm
3	8220 3198	1	J, T	72, 74	SIREN, Alarm
4	4886 374AA	1	J, T	72, 74	TRANSMITTER, Alarm or Keyless
-5	4636 141	1	J, T	72, 74	BATTERY, Transmitter

JEEP CHEROKEE (XJ)				
SERIES	LINE	BODY	ENGINE	TRANSMISSION
P = Limited	J = LHD (4WD)	74=4 Dr. (101.4 WB)	ENC, EN0 = 2.5L 4 Cyl Turbo	DDD = 5 Speed Manual
S = Limited	U = RHD (4WD)	72=2 Dr. (101.4 WB)	ERH, ER0 = 4.0L Power Tech	DGS = 4 Speed Auto AISIN
H = Sport	T = LHD (2WD)			DG0 = All Automatic Trans
L = SE	B = RHD (2WD)			DBB = All Manual Trans

AR = Use as required - = Non illustrated part # = New this model year

May 2, 2002

**Alarm - EVS Plus System
Figure 001-914**



ITEM	PART NUMBER	QTY	LINE	BODY	DESCRIPTION
1	8220 4268	1	J, T	72, 74	MODULE, Security Alarm
-2	4636 141	1	J, T	72, 74	BATTERY, Transmitter
3	8220 3198	1	J, T	72, 74	SIREN, Alarm
4	4886 374AA	1	J, T	72, 74	TRANSMITTER, Alarm or Keyless
5	5011 619AA	1	J, T	72, 74	MODULE, Security Alarm
-6	4886 260AB	1	J, T	72, 74	SENSOR, Shock, With Terminals
-7	8220 4682	1	J, T	72, 74	WIRING KIT, Alarm Security Plus, Required for Instalation

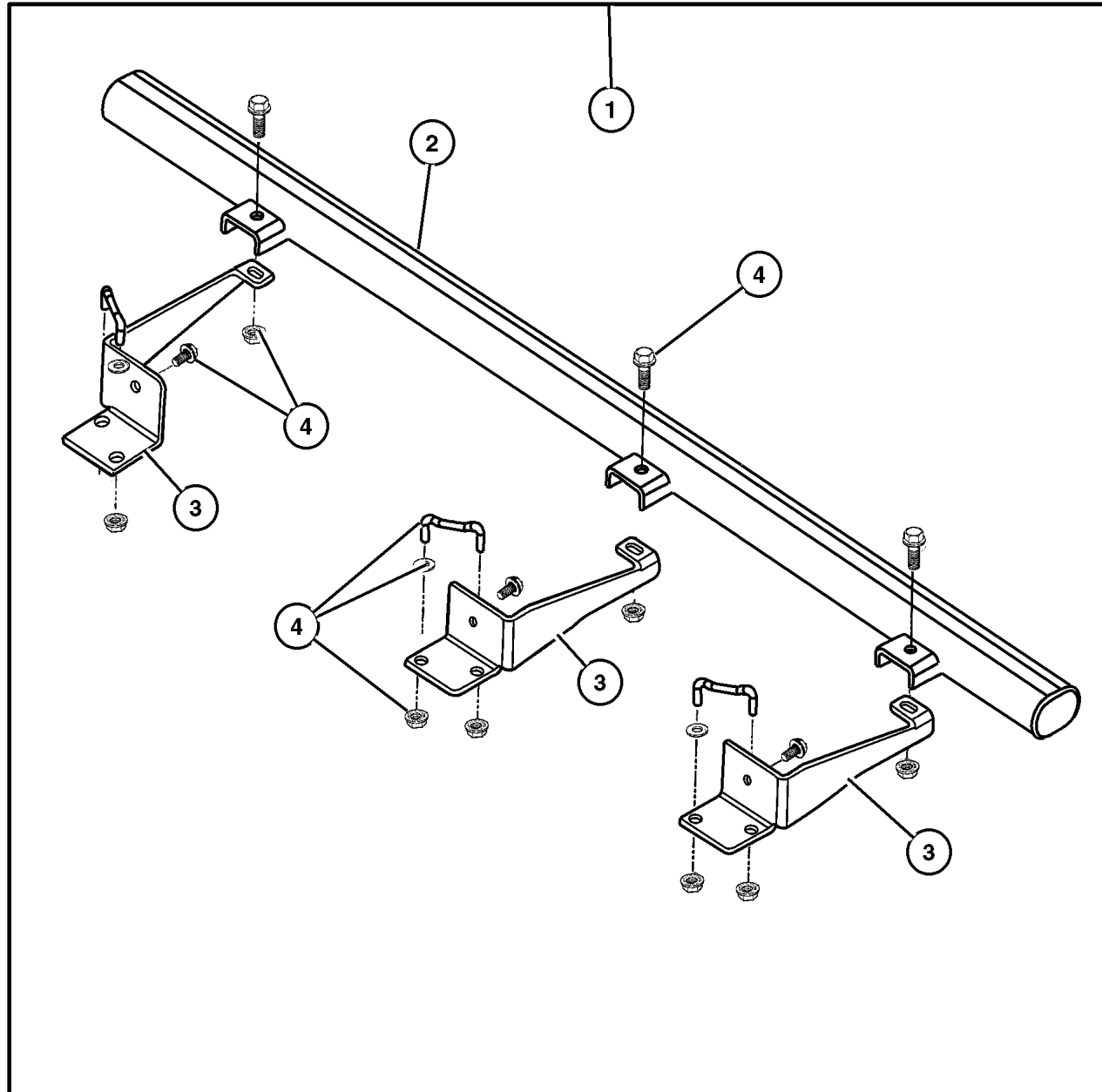
JEEP CHEROKEE (XJ)

SERIES	LINE	BODY	ENGINE	TRANSMISSION
P = Limited	J = LHD (4WD)	74=4 Dr. (101.4 WB)	ENC, EN0 = 2.5L 4 Cyl Turbo	DDD = 5 Speed Manual
S = Limited	U = RHD (4WD)	72=2 Dr. (101.4 WB)	ERH, ER0 = 4.0L Power Tech	DGS = 4 Speed Auto AISIN
H = Sport	T = LHD (2WD)			DG0 = All Automatic Trans
L = SE	B = RHD (2WD)			DBB = All Manual Trans

AR = Use as required - = Non illustrated part # = New this model year

May 2, 2002

Guard - Rock Rails
Figure 001-1020



ITEM	PART NUMBER	QTY	LINE	BODY	DESCRIPTION
1	8220 5091	1	J, T	72, 74	GUARD KIT, Bodyside, Tubular Black Steel w/Moulded Splash Guards
2	5018 983AA	1	J, T	72, 74	GUARD KIT, Bodyside Left
	5018 984AA	1	J, T	72, 74	Right
3	5018 985AA	1	J, T	72, 74	BRACKET, Mounting, Front, Center and Rear Left Side
	5019 248AA	1	J, T	72, 74	Right Side
4	5019 247AA	1	J, T	72, 74	HARDWARE KIT, Mounting

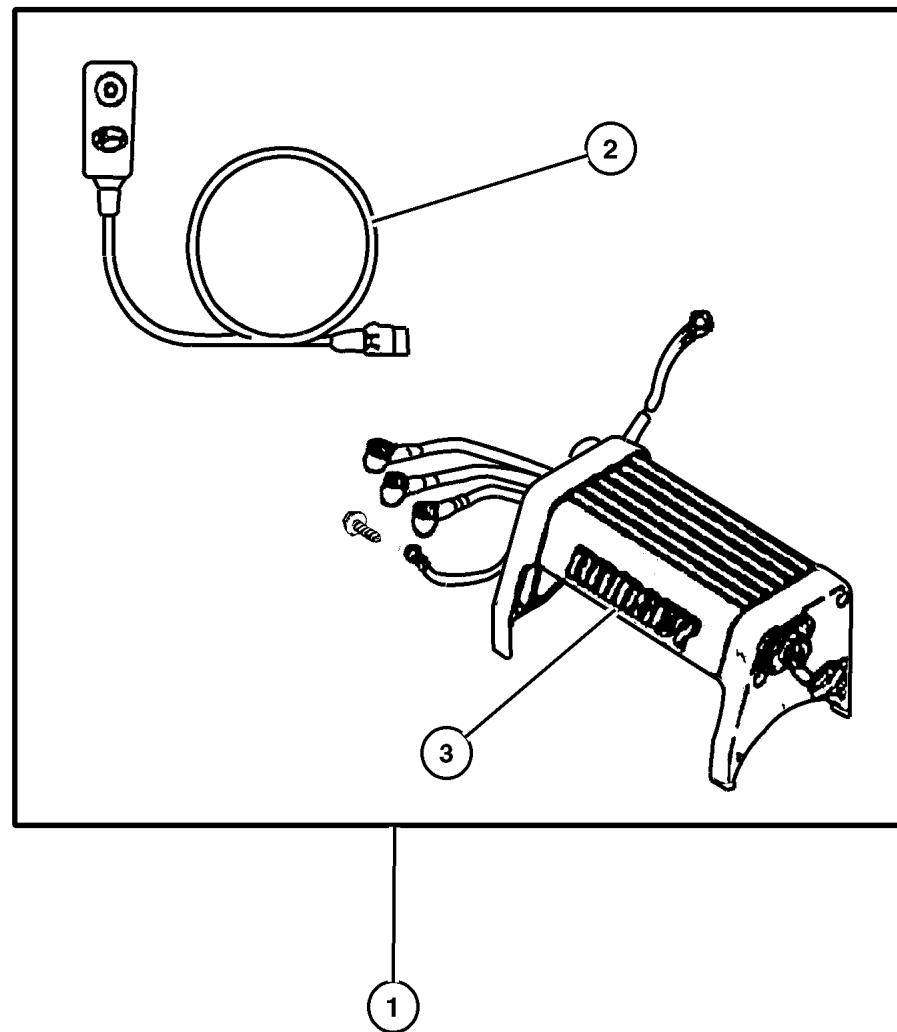
JEEP CHEROKEE (XJ)				
SERIES	LINE	BODY	ENGINE	TRANSMISSION
P = Limited	J = LHD (4WD)	74=4 Dr. (101.4 WB)	ENC, EN0 = 2.5L 4 Cyl Turbo	DDD = 5 Speed Manual
S = Limited	U = RHD (4WD)	72=2 Dr. (101.4 WB)	ERH, ER0 = 4.0L Power Tech	DGS = 4 Speed Auto AISIN
H = Sport	T = LHD (2WD)			DG0 = All Automatic Trans
L = SE	B = RHD (2WD)			DBB = All Manual Trans

AR = Use as required - = Non illustrated part # = New this model year

May 2, 2002

Winch Kit - Power
Figure 001-1030

ITEM	PART NUMBER	QTY	LINE	BODY	DESCRIPTION
1					WINCH KIT, Power
	8220 4129	1	J	72, 74	9000H Series with 95 foot Cable.
	8220 4130	1	J	72, 74	6000H Series
	8220 4131	1	J	72, 74	8000H Series with 95 foot Cable.
	8220 4134	1	J	72, 74	8000HX Series
2	5018 221AA	1	J	72, 74	CABLE KIT, Winch, Switch Assembly is 12 feet long. Use only with Power Winch.
3					SOLENOID, Winch
	5018 363AA	1	J	72, 74	Includes Hardware, 12 Volt rated.
	5018 366AA	1	J	72, 74	Use with 8000HX Series



JEEP CHEROKEE (XJ)				
SERIES	LINE	BODY	ENGINE	TRANSMISSION
P = Limited	J = LHD (4WD)	74=4 Dr. (101.4 WB)	ENC, EN0 = 2.5L 4 Cyl Turbo	DDD = 5 Speed Manual
S = Limited	U = RHD (4WD)	72=2 Dr. (101.4 WB)	ERH, ER0 = 4.0L Power Tech	DGS = 4 Speed Auto AISIN
H = Sport	T = LHD (2WD)			DG0 = All Automatic Trans
L = SE	B = RHD (2WD)			DBB = All Manual Trans

AR = Use as required - = Non illustrated part # = New this model year

May 2, 2002

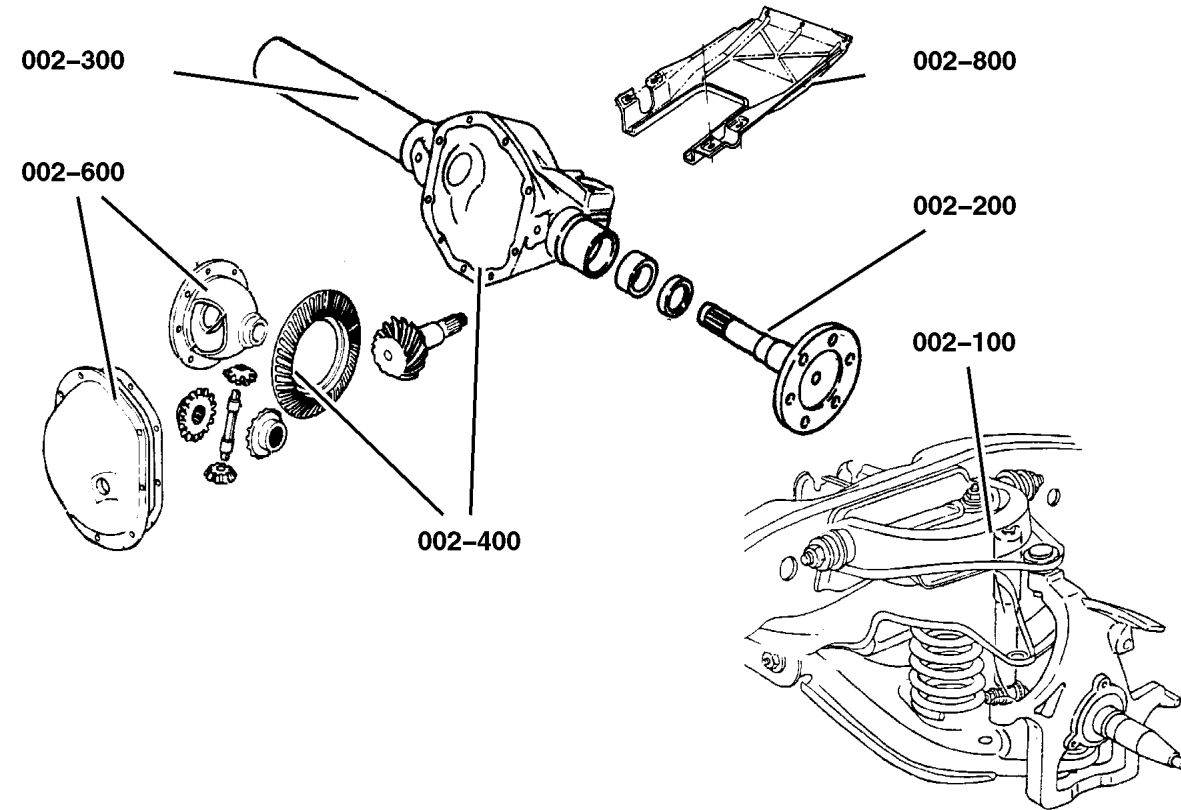
Group – 002

Front Suspension & Drive

GROUP 2 - Front Suspension & Drive

Illustration Title

Group-Fig. No.



Front Suspension

Arms,Control,Upper and Lower	Fig. 002-110
Springs and Shocks,Front	Fig. 002-120
Front Stabilizer Bar and Track Bar	Fig. 002-130

Front Axle Drive Shafts

Shafts, Front Axle	Fig. 002-210
--------------------------	--------------

Front Axle Housing

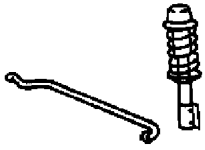
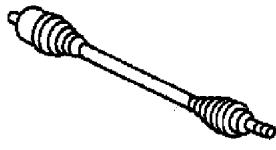
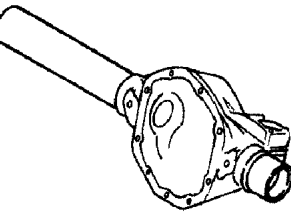
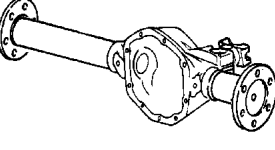
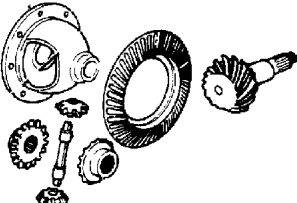
Housing, Front Axle,2 Wheel Drive	Fig. 002-310
Housing, Front Axle,4 Wheel Drive	Fig. 002-320

Front Axle Assembly

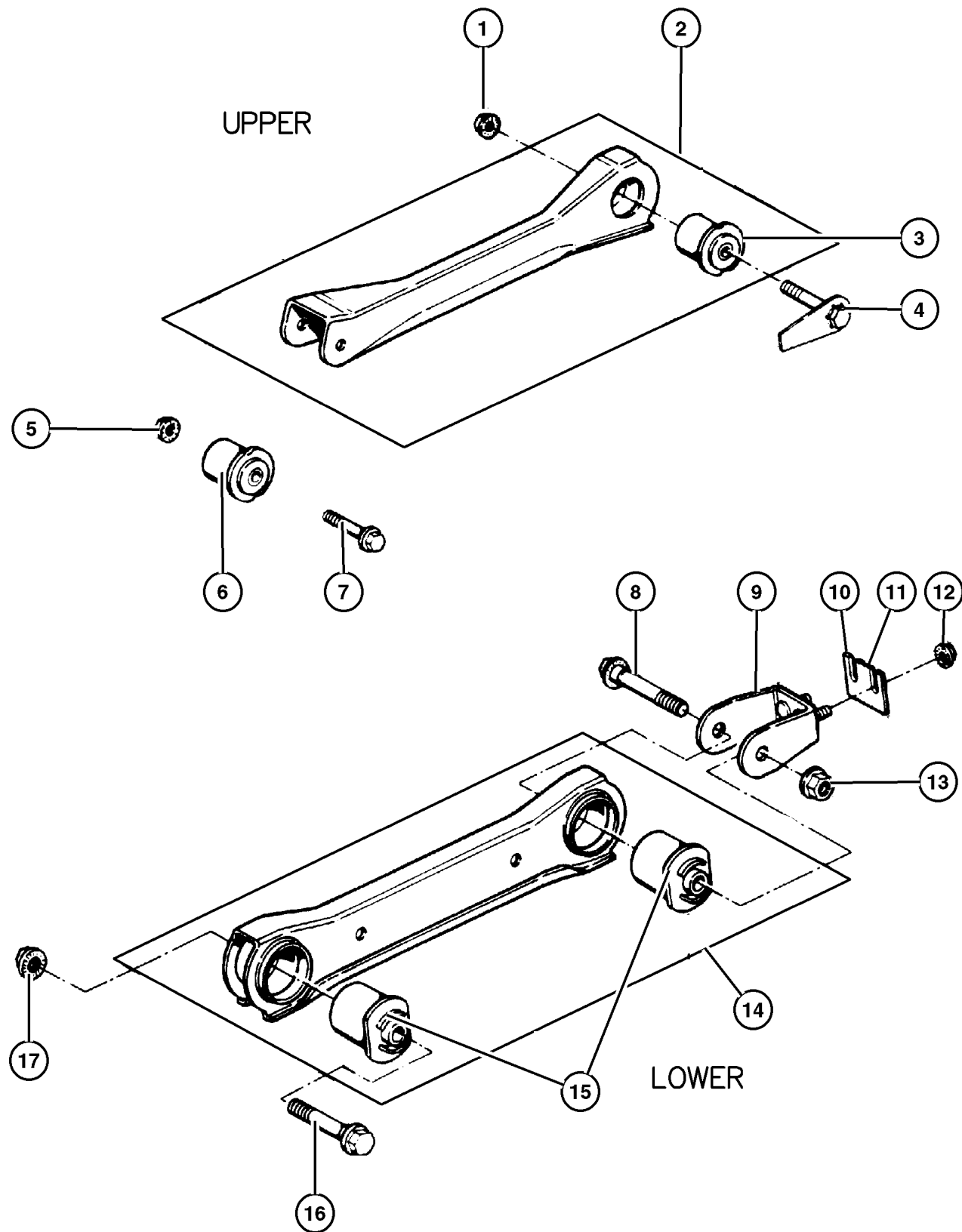
Axle Assembly, Front,4 Wheel Drive	Fig. 002-410
--	--------------

Front Axle Differential

Differential, Front Axle	Fig. 002-610
--------------------------------	--------------

<p>002-100 Front Suspension</p> 	<p>002-200 Front Axle Drive Shafts</p> 	<p>002-300 Front Axle Housing</p> 	<p>002-400 Front Axle Assembly</p> 
<p>002-600 Front Axle Differential</p> 			

**Arms,Control,Upper and Lower
Figure 002-110**



ITEM	PART NUMBER	QTY	LINE	BODY	ENGINE	TRANS	DESCRIPTION
Note: manual, 12 Disc Magazine.							
LCA = Lower Control Arm manual, 12 Disc Magazine.							
UCA = Upper Control Arm manual, 12 Disc Magazine.							
1	1150 6007	2					NUT, Hex Flange, M10x1.5, UCA to Sill Attaching
2	5208 7711	2					ARM, Control, Includes 1 Bushing, Upper
3	5208 7852	2					BUSHING, Control Arm, UCA to Sill
4	6505 153AA	2					BOLT, M10x1.50x85, UCA to Sill Attaching
5	1150 6007	2					NUT, Hex Flange, M10x1.5, UCA to Axle Mounting
6	5208 7852	2					BUSHING, Control Arm, UCA to Axle, Upper Front
7							BOLT, M10x1.50x75, (NOT SERVICED)
8	3420 1334	4					BOLT, Hex Flange Head, M14x2.00x110, LCA to Clevis Mounting
9	5200 0532	2					CLEVIS, Lower Suspension Arm, To Sill
10	5200 0234	AR					SHIM, Control Arm, Caster and Pinion Angle Adjusting-.9mm Thick
11	5200 3976	AR					SHIM, Pinion Angle, Caster and Pinion Angle Adjusting-.4mm Thick
12	6101 695	4					NUT, Hex Flange Lock, M8x1.25, Clevis to Sill Mounting
13	6503 672	4					NUT, Hex, M14-2, LCA to Clevis Mounting
14	52001 162AB	2					ARM, Control, Includes 2 Bushings, Lower Front
15	52001 161AB	4					BUSHING, Control Arm, Lower Front
16	3420 1334	4					BOLT, Hex Flange Head, M14x2.00x110, LCA to Axle
17	6503 672	2					NUT, Hex, M14-2, LCA to Axle

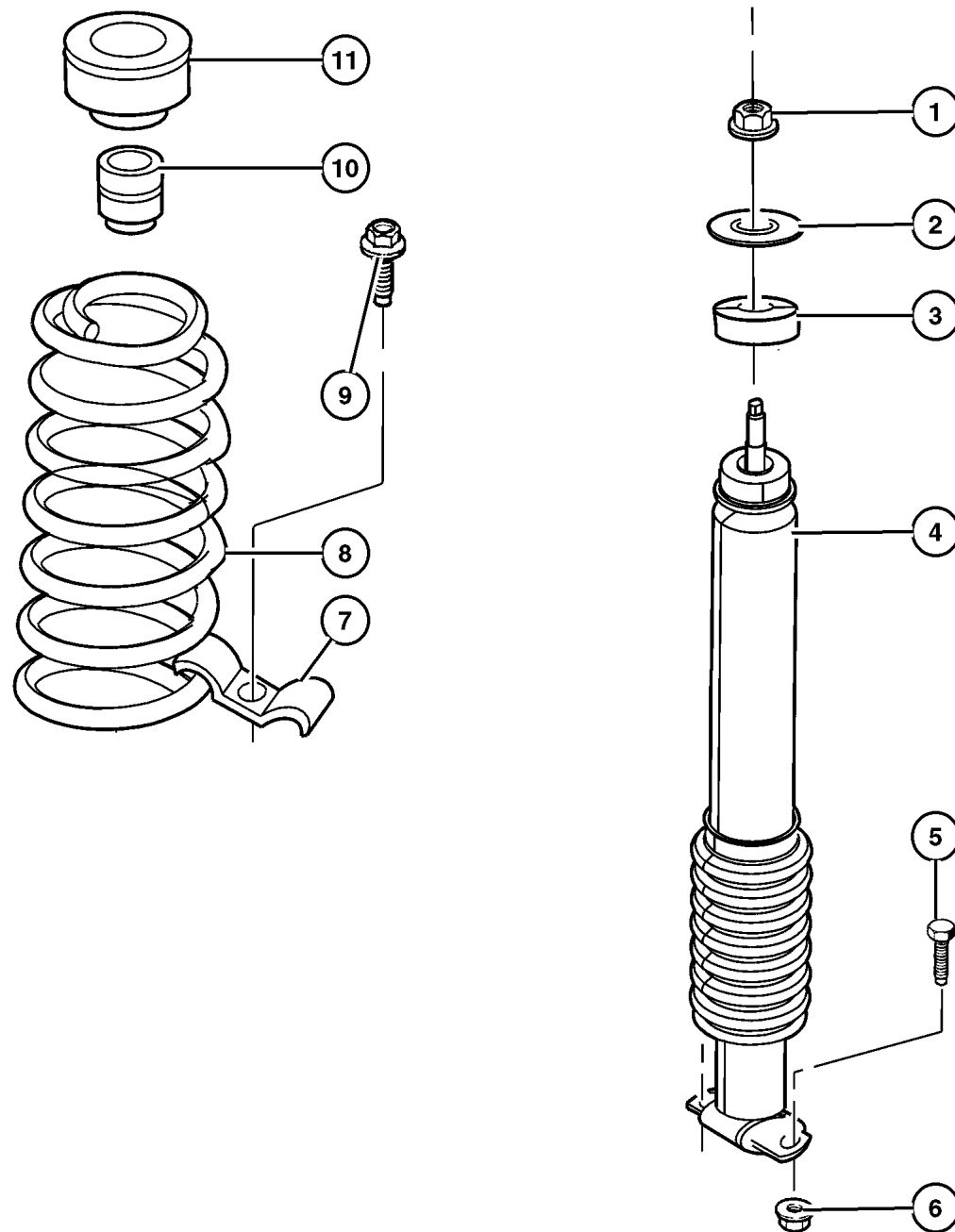
JEEP CHEROKEE (XJ)

SERIES	LINE	BODY	ENGINE	TRANSMISSION
P = Limited	J = LHD (4WD)	74=4 Dr. (101.4 WB)	ENC, EN0 = 2.5L 4 Cyl Turbo	DDD = 5 Speed Manual
S = Limited	U = RHD (4WD)	72=2 Dr. (101.4 WB)	ERH, ER0 = 4.0L Power Tech	DGS = 4 Speed Auto AISIN
H = Sport	T = LHD (2WD)			DG0 = All Automatic Trans
L = SE	B = RHD (2WD)			DBB = All Manual Trans

AR = Use as required - = Non illustrated part # = New this model year

May 2, 2002

Springs and Shocks, Front Figure 002-120



ITEM	PART NUMBER	QTY	LINE	BODY	ENGINE	TRANS	DESCRIPTION
Note:SDA=Normal Duty Suspension---SDB=Heavy Duty Suspension---SDU=High Pressuer Gas Filled Shocks---Check VIN Number for The Type of 'Z' Code Springs are on The Truck							
1	6502 556	2					NUT, Hex, M10-1.5, Upper
2	5203 8805	2					RETAINER, Shock Absorber, Upper
3	5208 7768	2					GROMMET, Shock Absorber, Upper
4	4897 413AF	2					SHOCK ABSORBER PACKAGE, Suspension, Front [SDA]
	4897 414AE	2					[SDB]
	4897 412AF	2	J, U				[SDU]
5	6502 555	4					BOLT, M8x1.25x30, Lower Shock Mounting, Lower
6	6101 695	4					NUT, Hex Flange Lock, M8x1.25, Lower Shock Mounting, Lower
7	5300 0899	2					BRACKET, Spring, Coil Spring Retainer, Lower
8	5200 1113	1					SPRING, Front Coil [ZUD,ZFD]
	5200 1114	1					[ZUE,ZFE]
	5200 1115	1					[ZUF,ZFF]
	5200 1116	1					[ZUG,ZFG]
	5200 1117	1					[ZUH,ZFH]
	5200 1118	1					[ZUJ,ZFJ]
	5200 1119	1					[ZUK,ZFK]
	5200 1120	1					[ZVD,ZGD]
	5200 1121	1					[ZVE,ZGE]
	5200 1122	1					[ZVF,ZGF]
	5200 1123	1					[ZVG,ZGG]
	5200 1124	1					[ZVH,ZGH]
	5200 1125	1					[ZVJ,ZGJ]
	5200 1793	1					[ZVK,ZGK]
	5200 1794	1					[ZVL,ZGL]
9	3420 1888	2					SCREW, Hex Head, Coil Spring Retainer, Lower
10	5200 4295	2					BUMPER, Jounce, Upper
11	5200 0229	2					ISOLATOR, Spring, Upper

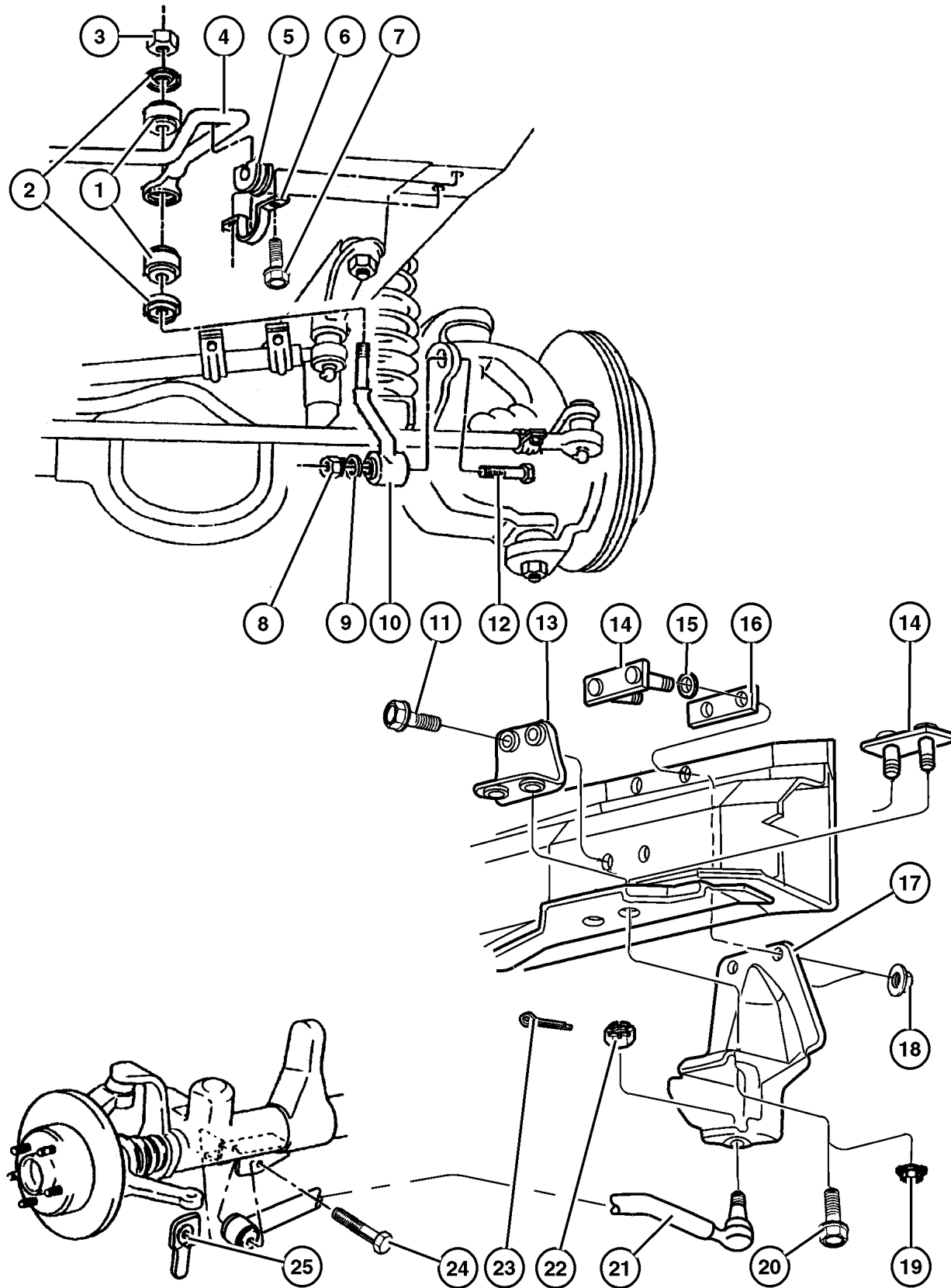
JEEP CHEROKEE (XJ)

SERIES	LINE	BODY	ENGINE	TRANSMISSION
P = Limited	J = LHD (4WD)	74=4 Dr. (101.4 WB)	ENC, EN0 = 2.5L 4 Cyl Turbo	DDD = 5 Speed Manual
S = Limited	U = RHD (4WD)	72=2 Dr. (101.4 WB)	ERH, ER0 = 4.0L Power Tech	DGS = 4 Speed Auto AISIN
H = Sport	T = LHD (2WD)			DG0 = All Automatic Trans
L = SE	B = RHD (2WD)			DBB = All Manual Trans

AR = Use as required - = Non illustrated part # = New this model year

May 2, 2002

**Front Stabilizer Bar and Track Bar
Figure 002-130**



ITEM	PART NUMBER	QTY	LINE	BODY	ENGINE	TRANS	DESCRIPTION
Note: Sales Codes are on The Truck							
ENC= Engine - 2.5L 4 Cylinder Turbo Diesel are on The Truck							
1	5200 1132	4					GROMMET, Sway Bar
2	5208 7668	4					RETAINER, Sway Bar
3							NUT, M10x1.50, (NOT SERVICED)
4	5208 7859	1					BAR, Front Sway
5	5208 8523	2					CUSHION, Sway Eliminator
6	5208 7865	2					RETAINER, Sway Bar
7	3420 1540	4					BOLT AND WASHER, Implement Attaching, Sway Bar Retainer, Mounting
8	6502 697	2					NUT, Hex Flange Lock, M12x1.75, Sway Bar Link to Axle, Mounting
9							WASHER, Flat, (NOT SERVICED)
10	5203 7849	2					LINK, Sway Eliminator
11	6502 137	2			ENC		BOLT, Hex Flange Head, M10x1.50x35, Track Bar Reinforcement, Mounting
12	6503 032	2					SCREW, Pan Head, M12 x 1.75 x 58.00, Sway Bar Link to Axle, Mounting
13							REINFORCEMENT, Track Bar
	5208 7861	1	J, T		ENC		
	5203 7507	1	B, U				
14	5200 1493	1					PLATE, Track Bar, Mounting
15	J012 0396	1	B, U				WASHER, Flat, .531x1.09
16							BRACKET, Sill, (NOT SERVICED)
17							BRACKET, Track Bar
	52007 121AC	1	J, T				Mounting
	52006 508AC	1	B, U				Mounting
18	6502 697	2					NUT, Hex Flange Lock, M12x1.75, Track Bar Bracket, Mounting
19	6502 697	2					NUT, Hex Flange Lock, M12x1.75
20	3420 1964	2					BOLT, Hex Flange Head, M12x1.75x40, Track Bar Mounting Bracket to Sill, Mounting
21							BAR, Track
	5200 7118	1	J, T				
	5305 4317	1	B, U				
22	J027 4428	1					NUT, Hex Slotted, Track Bar to Track Bar Bracket, Mounting
23	3420 2101	1					PIN, Cotter
24	6505 549AA	1					SCREW, Track Bar To Axle, Mounting
25							NUT, Hex Flange Lock, M10x1.5
	6506 264AA	1	J, T				Track Bar To Axle, Mounting
	5208 7888	1	B, U				Track Bar To Axle, Mounting

JEEP CHEROKEE (XJ)

SERIES	LINE	BODY	ENGINE	TRANSMISSION
P = Limited	J = LHD (4WD)	74=4 Dr. (101.4 WB)	ENC, EN0 = 2.5L 4 Cyl Turbo	DDD = 5 Speed Manual
S = Limited	U = RHD (4WD)	72=2 Dr. (101.4 WB)	ERH, ER0 = 4.0L Power Tech	DGS = 4 Speed Auto AISIN
H = Sport	T = LHD (2WD)			DG0 = All Automatic Trans
L = SE	B = RHD (2WD)			DBB = All Manual Trans

AR = Use as required - = Non illustrated part # = New this model year

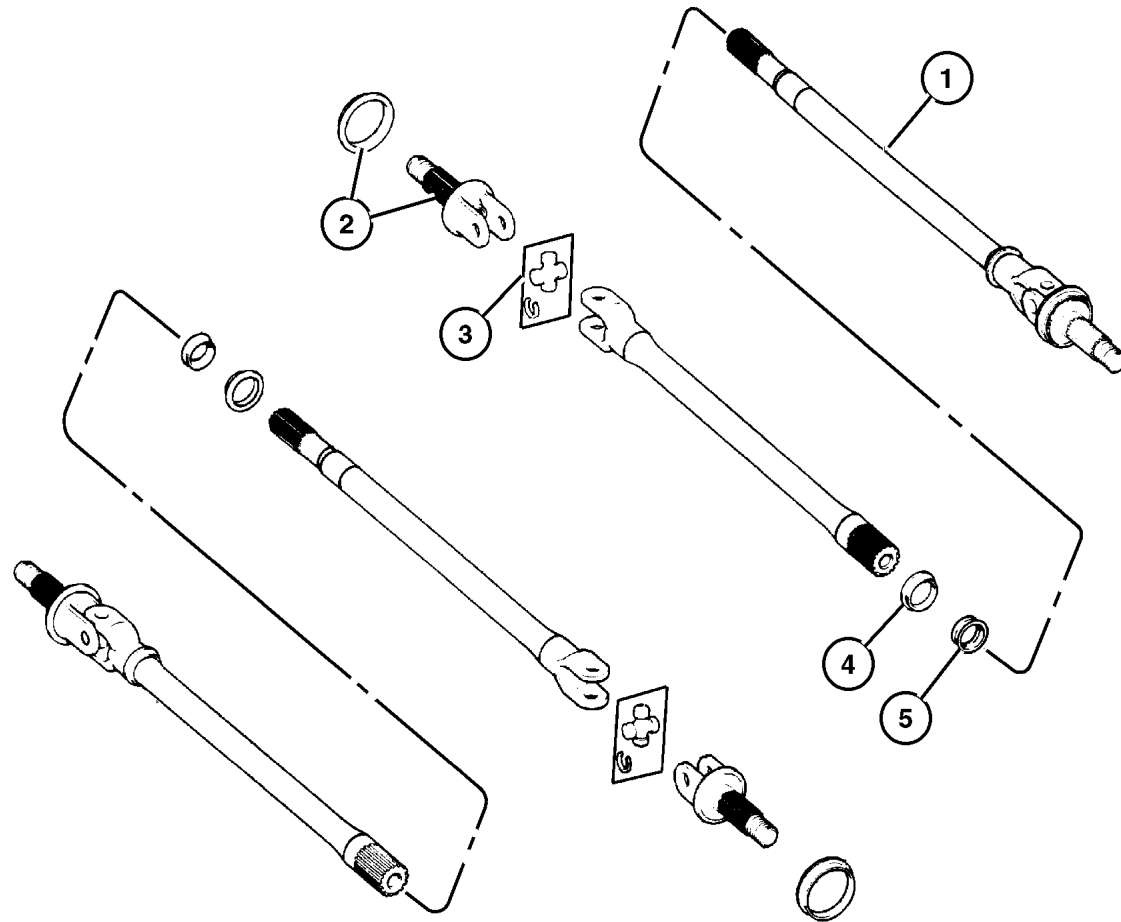
May 2, 2002

Shafts, Front Axle
Figure 002-210

ITEM	PART NUMBER	QTY	LINE	BODY	ENGINE	TRANS	DESCRIPTION
------	-------------	-----	------	------	--------	-------	-------------

Note: BGA=Power Front Disc/Rear Shoes---BGK=4 Wheel Anti-Lock Brakes are on The Truck

1							SHAFT, Axle
	4874 302	1	J				[BGA], Right
	4874 303	1	J				[BGA], Left
	4874 306	1	J				[BGK], Right
	4874 307	1	J				[BGK], Left
	4874 302	1	U				[BGA], Right
	4874 303	1	U				[BGA], Left
	4874 306	1	U				[BGK], Right
	4874 307	1	U				[BGK], Left
2							SHAFT, Axle
	8350 0184	2	J				[BGA]
	4728 984	2	J				[BGK]
	8350 0184	2	U				[BGA]
	4728 984	2	U				[BGK]
3							U JOINT, Front Axle
	4137 757	1	J				
		1	U				
4							SEAL, Axle Drive Shaft
	4874 477	2	J				
		2	U				
5							SLINGER, Oil
	4882 135	2	J				
		2	U				



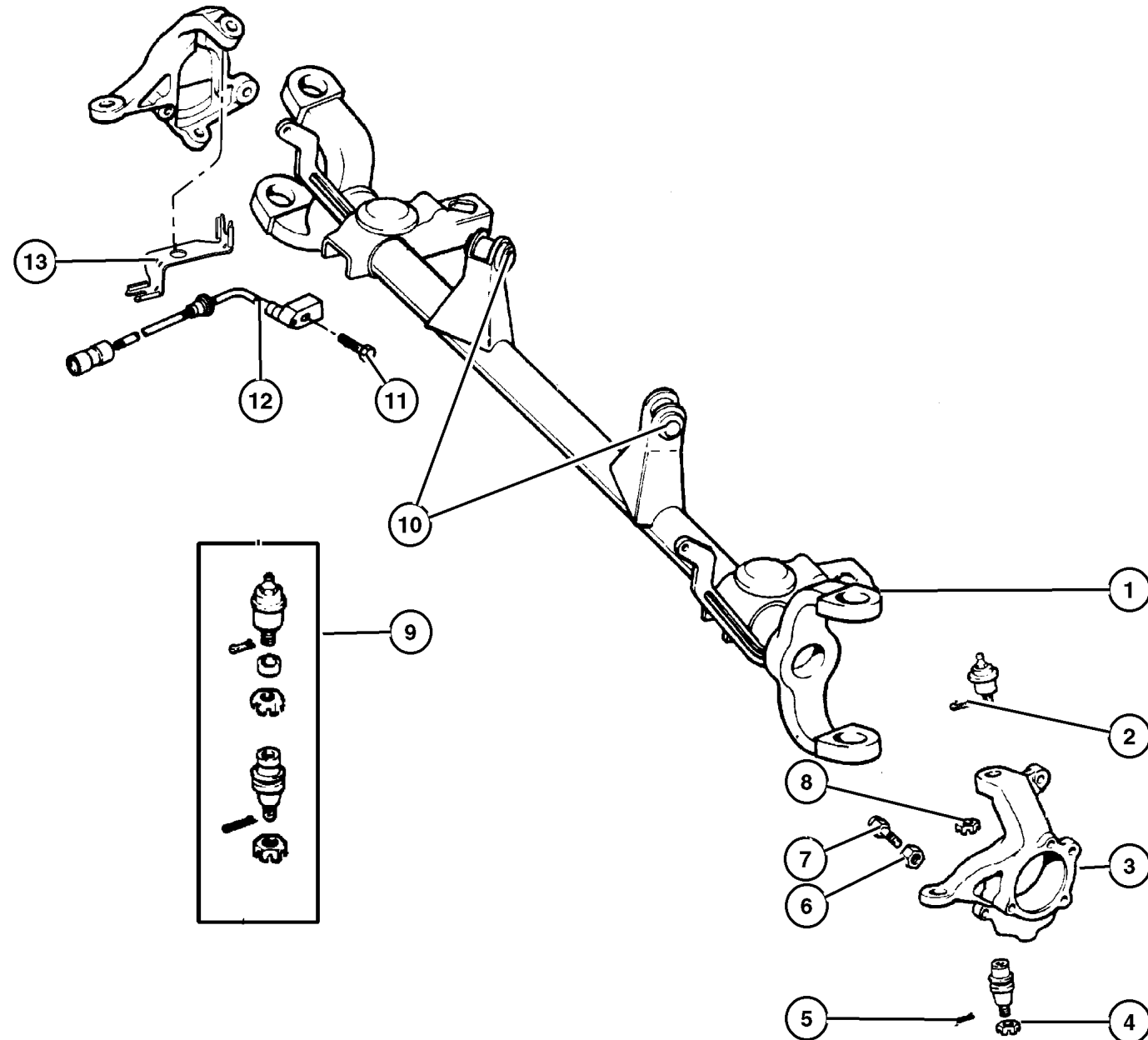
JEEP CHEROKEE (XJ)

SERIES	LINE	BODY	ENGINE	TRANSMISSION
P = Limited	J = LHD (4WD)	74=4 Dr. (101.4 WB)	ENC, EN0 = 2.5L 4 Cyl Turbo	DDD = 5 Speed Manual
S = Limited	U = RHD (4WD)	72=2 Dr. (101.4 WB)	ERH, ER0 = 4.0L Power Tech	DGS = 4 Speed Auto AISIN
H = Sport	T = LHD (2WD)			DG0 = All Automatic Trans
L = SE	B = RHD (2WD)			DBB = All Manual Trans

AR = Use as required - = Non illustrated part # = New this model year

May 2, 2002

Housing, Front Axle, 2 Wheel Drive
Figure 002-310



ITEM	PART NUMBER	QTY	LINE	BODY	ENGINE	TRANS	DESCRIPTION
1							HOUSING, Front Axle
	5017 166AA	1	T				with Bushings
		1	B	74			with Bushings
2	J812 1392	2	T				PIN, Cotter
		2	B	74			Upper
3							Upper
	5206 7576	1	T				Right
	5206 7577	1	T				Left
	5206 7576	1	B	74			Right
	5206 7577	1	B	74			Left
4							NUT
	J812 3318	1	T				Ball Joint, Lower,Mounting
		1	B	74			Ball Joint, Lower,Mounting
5							PIN, Cotter, M4x40.00
	1101 0069	1	T				Ball Joint, Lower,Mounting
		1	B	74			Ball Joint, Lower,Mounting
6							NUT, Steering Knuckle
	S011 4494	1	T				Bolt, Stop
		1	B	74			Bolt, Stop
7							BOLT, Steering Knuckle Stop
	1791 701	2	T				
		2	B	74			
8							NUT, Hex Slotted
	J012 5258	1	T				Ball Joint, Upper,Mounting
		1	B	74			Ball Joint, Upper,Mounting
9							BALL JOINT KIT, Knuckle
	8350 0202	1	T				
		1	B	74			
10							BUSHING, Control Arm
	5208 7852	2	T				Front, Upper
		2	B	74			Front, Upper
11	8350 4920	2	T				BOLT, ABS Sensor, Mounting
12	5600 5217	2	T				SENSOR, Anti-Lock Brakes
13							BRACKET, Brake Sensor
	5602 6766	1	T				ABS Sensor, Right,Mounting
	5602 6767	1	T				ABS Sensor, Left,Mounting

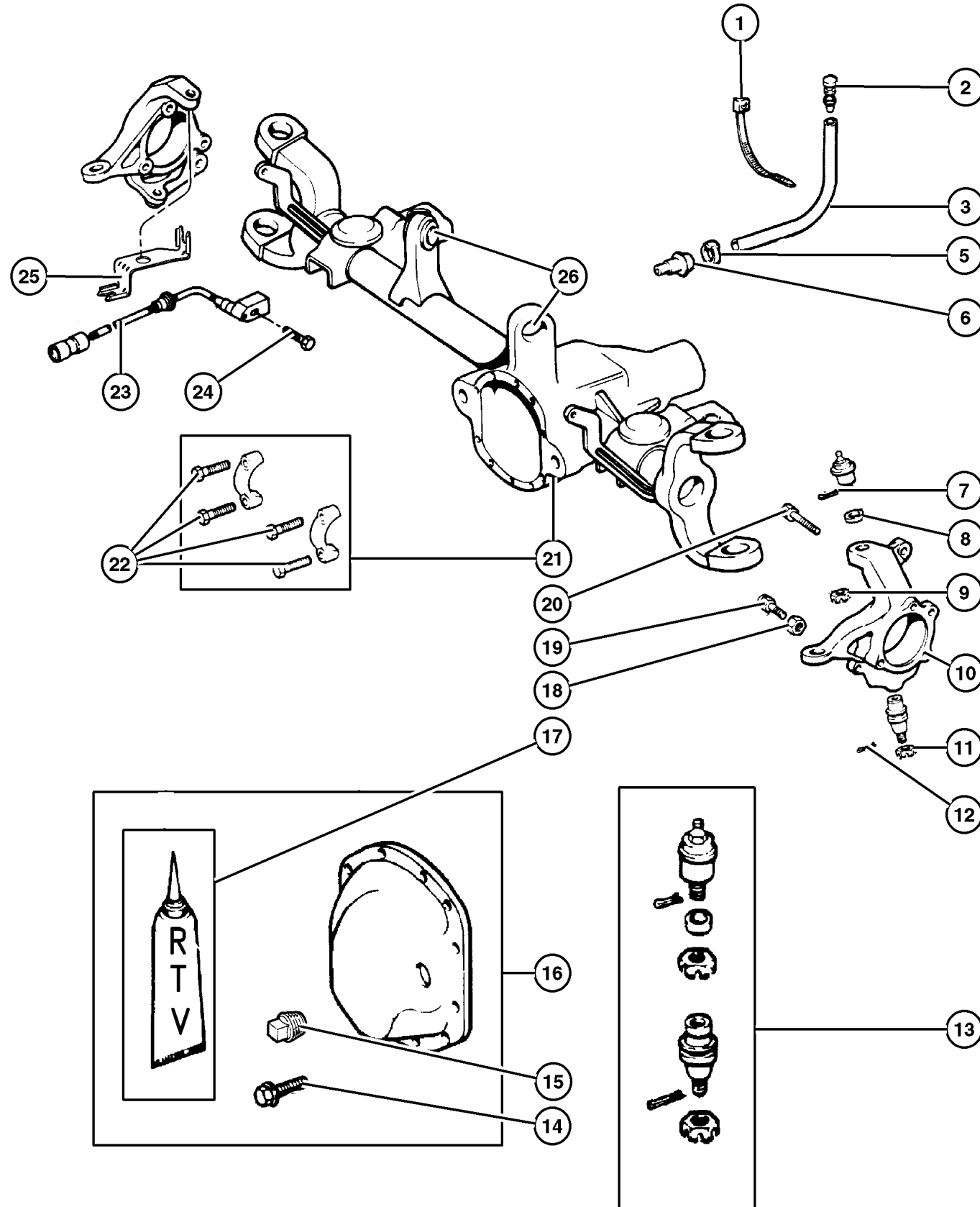
JEEP CHEROKEE (XJ)

SERIES	LINE	BODY	ENGINE	TRANSMISSION
P = Limited	J = LHD (4WD)	74=4 Dr. (101.4 WB)	ENC, EN0 = 2.5L 4 Cyl Turbo	DDD = 5 Speed Manual
S = Limited	U = RHD (4WD)	72=2 Dr. (101.4 WB)	ERH, ER0 = 4.0L Power Tech	DGS = 4 Speed Auto AISIN
H = Sport	T = LHD (2WD)			DG0 = All Automatic Trans
L = SE	B = RHD (2WD)			DBB = All Manual Trans

AR = Use as required - = Non illustrated part # = New this model year

May 2, 2002

Housing, Front Axle, 4 Wheel Drive Figure 002-320



ITEM	PART NUMBER	QTY	LINE	BODY	ENGINE	TRANS	DESCRIPTION
Note: Sales Codes; are on The Truck							
[DMD]=Axle Ratio - 3.55 are on The Truck							
[DME]=Axle Ratio - 3.73 are on The Truck							
[DMM]=Axle Ratio - 3.07 are on The Truck							
[ENC]=Engine - 2.5L 4 Cylinder Turbo Diesel are on The Truck							
[EN0]=Engines - All 4/5 Cylinder Turbo Diesel are on The Truck							
[EP0]=Engines - All 2.5L 4 Cylinder Gas are on The Truck							
[ER0]=Engines - All 4.0L 6 Cylinder Gas are on The Truck							
1	4641 780	1	J, U				STRAP, Tie, Holds Upper Vent Hose in Place
2							VENT, Axle
	J535 2955	1	J, U		EN0, EP0		Upper
		1	J, U		ER0		Upper
3	HFV0 0516	1	J, U				HOSE, Fuel And Vapor, 25 Foot Roll 5/16", Axle Vent
-4	52099 355AA	1	J, U		ER0		HOSE, Axle Vent, Contains Upper Vent, Heat Shield, Strap and Hose
5	6502 081	1	J, U				CLAMP, Oil Cooler Line, Lower
6							VENT, Axle
	8350 4653	1	J				Up To and Including 10-01-00, Lower
	5017 482AA	1	J				10-02-00 and After, Lower
	8350 4653	1	U				Up To and Including 10-01-00, Lower
	5017 482AA	1	U				10-02-00 and After, Lower
7							PIN, Cotter, M4x40.00
	1101 0069	1	J				Ball Joint Mounting, Upper
		2	U				Ball Joint Mounting, Upper
8							RING, Ball Joint
	8350 0203	1	J				Upper
		1	U				Upper
9							NUT, Hex Slotted
	J012 5258	1	J				Ball Joint Mounting, Upper
		1	U				Ball Joint Mounting, Upper
10							KNUCKLE, Front
	5015 980AA	1	J				Right
	5015 981AA	1	J				Left
	5015 980AA	1	U				Right
	5015 981AA	1	U				Left
11							NUT
	J812 3318	1	J				Ball Joint Mounting, Lower
		1	U				Ball Joint Mounting, Lower
12							PIN, Cotter, M4x40.00
	1101 0069	1	J				Ball Joint Mounting, Lower

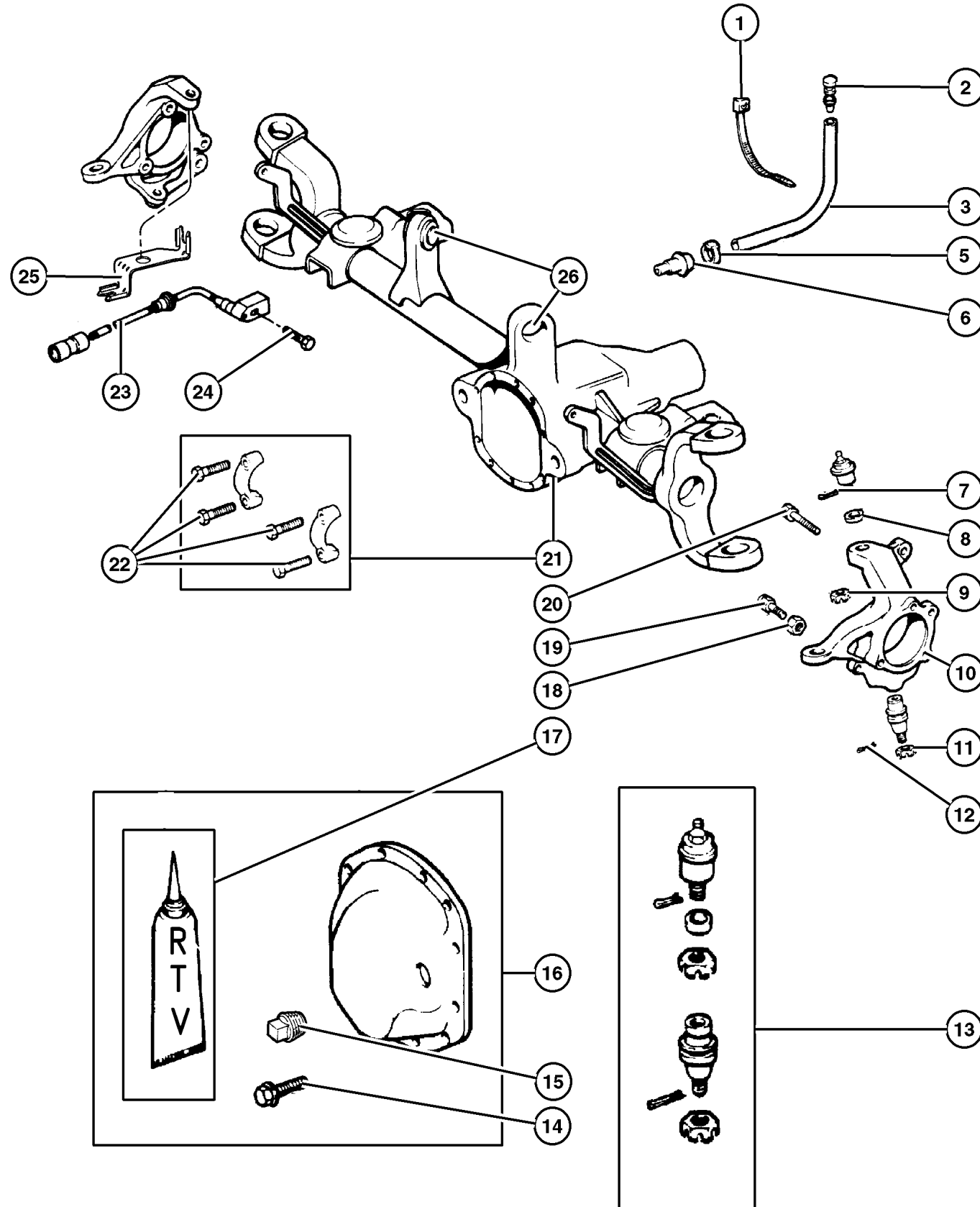
JEEP CHEROKEE (XJ)

SERIES	LINE	BODY	ENGINE	TRANSMISSION
P = Limited	J = LHD (4WD)	74=4 Dr. (101.4 WB)	ENC, EN0 = 2.5L 4 Cyl Turbo	DDD = 5 Speed Manual
S = Limited	U = RHD (4WD)	72=2 Dr. (101.4 WB)	ERH, ER0 = 4.0L Power Tech	DGS = 4 Speed Auto AISIN
H = Sport	T = LHD (2WD)			DG0 = All Automatic Trans
L = SE	B = RHD (2WD)			DBB = All Manual Trans

AR = Use as required - = Non illustrated part # = New this model year

May 2, 2002

Housing, Front Axle, 4 Wheel Drive Figure 002-320



ITEM	PART NUMBER	QTY	LINE	BODY	ENGINE	TRANS	DESCRIPTION
		2	U				Ball Joint Mounting, Lower
13	8350 0202	2	J				BALL JOINT KIT, Knuckle
		2	U				
14	2954 031	10	J				BOLT, Differential Cover
		10	U				
15	J400 4751	1	J				PLUG, Differential Cover
		1	U				
16	4713 451	1	J				COVER, Differential
		1	U				
17	5010 884AA	1	J, U		EN0	DD0	SEALANT, RTV
18	S011 4494	2	J				NUT, Steering Knuckle Stop
		2	U				Stop
19	1791 701	2	J				BOLT, Steering Knuckle Stop
		2	U				
20							BOLT
	3420 1535	6	J				Knuckle to Hub and Bearing Mounting
		6	U				Knuckle to Hub and Bearing Mounting
21							HOUSING, Front Axle
	5015 978AA	1	J				[DMD,DMM]-Up To and Including 10-01-00
	#5015 978AC	1	J				[DMD,DMM]-10-02-00 and After
	4778 905	1	J		ENC		[DME]-Up To and Including 10-01-00
	4778 905AB	1	J		ENC		[DME]-10-02-00 and After
	5016 112AA	1	U				[DMD]-Up To and Including 10-01-00
	#5016 112AB	1	U				[DMD]-10-02-00 and After
	4797 774	1	U		ENC		[DME]-Up To and Including 10-01-00
	#4797 774AB	1	U		ENC		[DME]-10-02-00 and After
22							BOLT, Differential
	4897 482AB	1	J				Bearing Cap Mounting
		4	U				Bearing Cap Mounting
23	5600 5217	2	J				SENSOR, Anti-Lock Brakes
		2	U				
24							BOLT
	8350 4920	2	U				ABS Sensor Mounting
		2	J				ABS Sensor Mounting
25							BRACKET, Brake Sensor

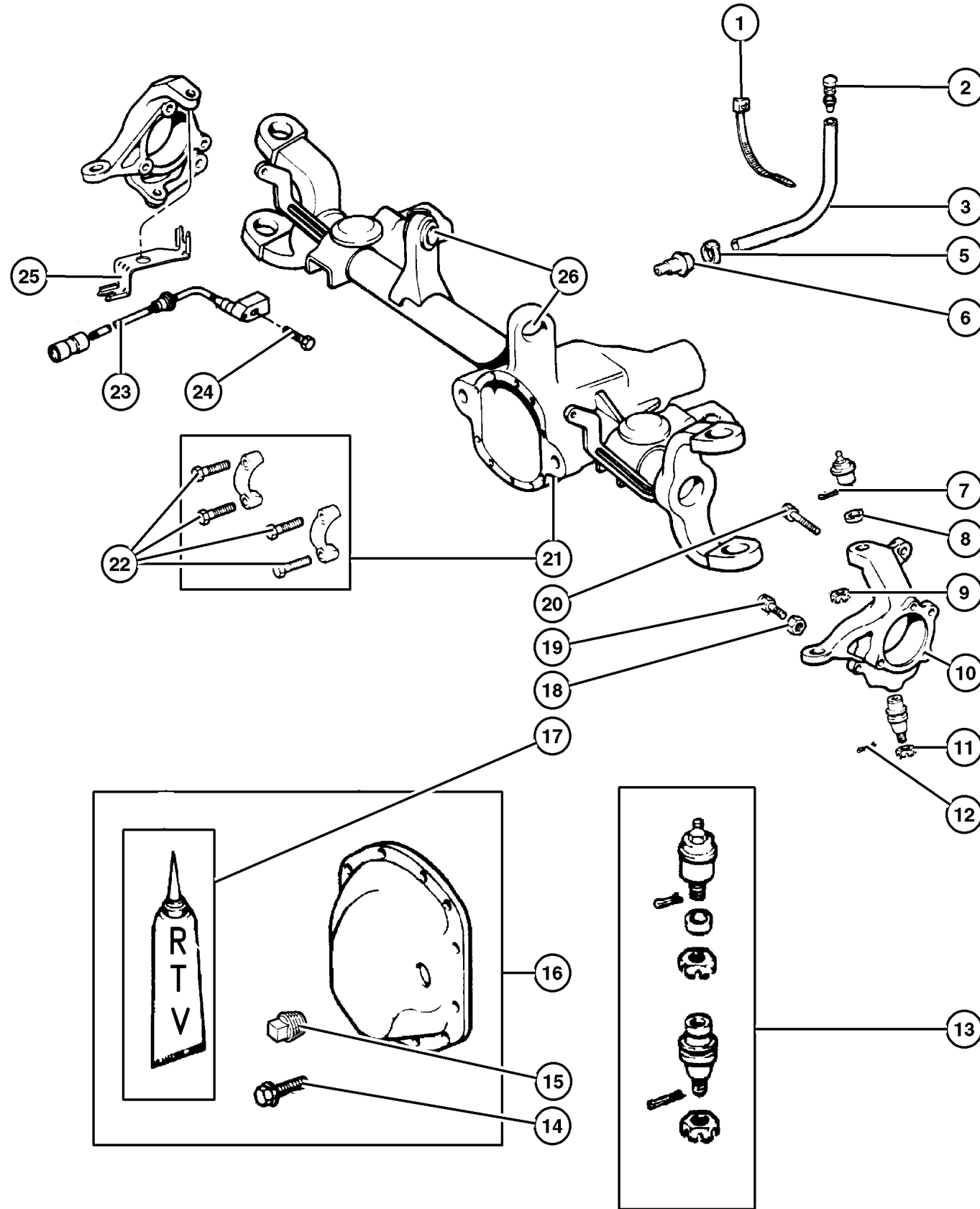
JEEP CHEROKEE (XJ)

SERIES	LINE	BODY	ENGINE	TRANSMISSION
P = Limited	J = LHD (4WD)	74=4 Dr. (101.4 WB)	ENC, EN0 = 2.5L 4 Cyl Turbo	DDD = 5 Speed Manual
S = Limited	U = RHD (4WD)	72=2 Dr. (101.4 WB)	ERH, ER0 = 4.0L Power Tech	DGS = 4 Speed Auto AISIN
H = Sport	T = LHD (2WD)			DG0 = All Automatic Trans
L = SE	B = RHD (2WD)			DBB = All Manual Trans

AR = Use as required - = Non illustrated part # = New this model year

May 2, 2002

Housing, Front Axle, 4 Wheel Drive Figure 002-320



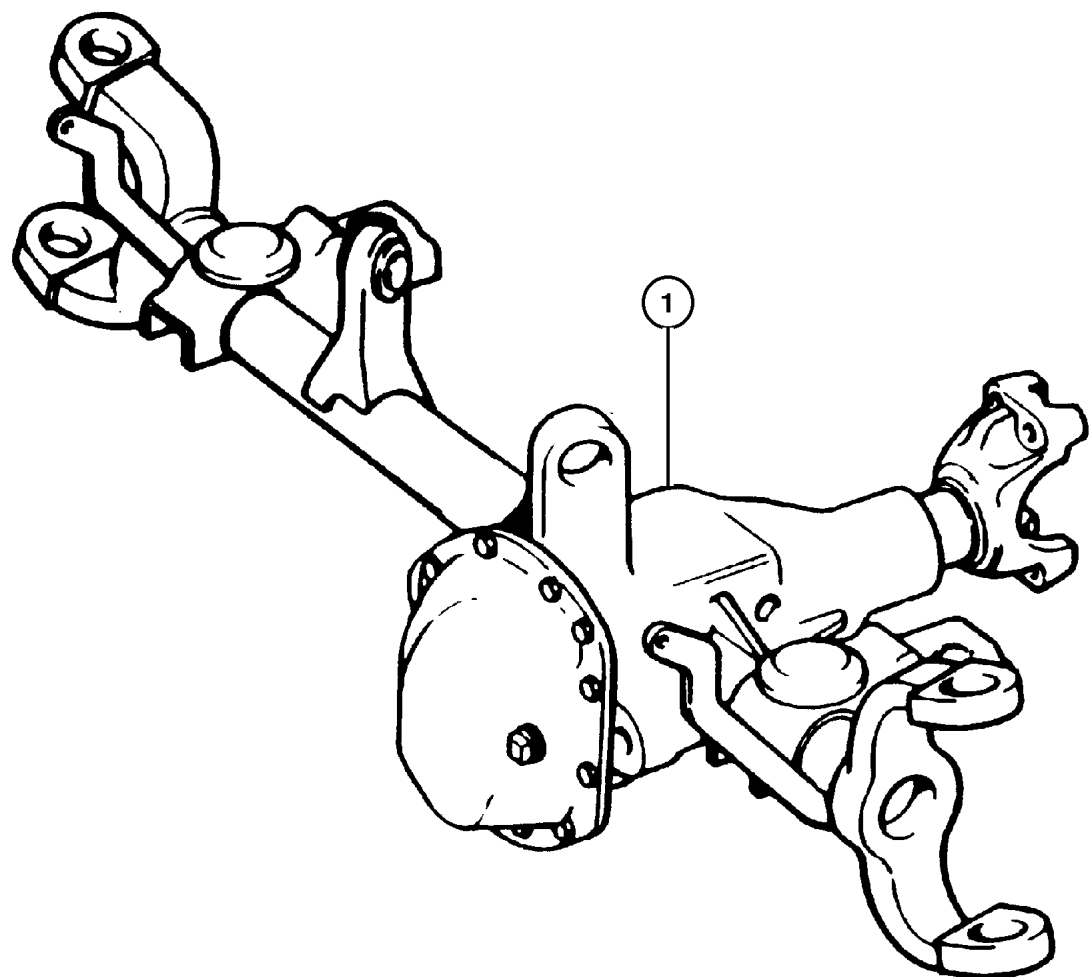
ITEM	PART NUMBER	QTY	LINE	BODY	ENGINE	TRANS	DESCRIPTION
	5602 6766	1	J		ENC		ABS Sensor Mounting, Right
		1	U		ENC		ABS Sensor Mounting, Right
	5602 6767	1	J				ABS Sensor Mounting, Left
		1	U				ABS Sensor Mounting, Left
26							BUSHING, Control Arm
	5208 7852	2	B	74			Front, Upper
		2	T				Front, Upper

JEEP CHEROKEE (XJ)				
SERIES	LINE	BODY	ENGINE	TRANSMISSION
P = Limited	J = LHD (4WD)	74=4 Dr. (101.4 WB)	ENC, EN0 = 2.5L 4 Cyl Turbo	DDD = 5 Speed Manual
S = Limited	U = RHD (4WD)	72=2 Dr. (101.4 WB)	ERH, ER0 = 4.0L Power Tech	DGS = 4 Speed Auto AISIN
H = Sport	T = LHD (2WD)			DG0 = All Automatic Trans
L = SE	B = RHD (2WD)			DBB = All Manual Trans

AR = Use as required - = Non illustrated part # = New this model year

May 2, 2002

**Axle Assembly, Front, 4 Wheel Drive
Figure 002-410**



ITEM	PART NUMBER	QTY	LINE	BODY	ENGINE	TRANS	DESCRIPTION
Note: Sales Codes; are on The Truck							
[DMD]=Axle Ratio - 3.55 are on The Truck							
[DME]=Axle Ratio - 3.73 are on The Truck							
[DMM]=Axle Ratio - 3.07 are on The Truck							
[ENC]=Engine - 2.5L 4 Cylinder Turbo Diesel are on The Truck							
1							AXLE, Service Front
	5015 982AA	1	J				[DMD] with Tag 52099371AA-Up To and Including 10-01-00
	#5015 982AB	1	J				[DMD] with Tag 52099371AB-10-02-00 and After
	5015 982AA	1	J				[DMD] with Tag 52111216AA-Up To and Including 10-01-00
	#5015 982AB	1	J				[DMD] with Tag 52111216AB-10-02-00 and After
	4778 909	1	J		ENC		[DME] with Tag 52068737AE-Up To and Including 10-01-00
	#4778 909AB	1	J		ENC		[DME] with Tag 52068737AF-10-02-00 and After
	4778 909	1	J		ENC		[DME] with Tag 52068738AE-Up To and Including 10-01-00
	#4778 909AB	1	J		ENC		[DME] with Tag 52068738AF-10-02-00 and After
	5015 979AA	1	J				[DMM] with Tag 52099368AA-Up To and Including 10-01-00
	#5015 979AB	1	J				[DMM] with Tag 52099368AB-10-02-00 and After
	5015 979AA	1	J				[DMM] with Tag 52099369AA-Up To and Including 10-01-00
	#5015 979AB	1	J				[DMM] with Tag 52099369AB-10-02-00 and After
	5015 979AA	1	J				[DMM] with Tag 52111051AA-Up To and Including 10-01-00
	#5015 979AB	1	J				[DMM] with Tag 52111051AB-10-02-00 and After
	5015 979AA	1	J				[DMM] with Tag 52111052AA-Up To and Including 10-01-00
	#5015 979AB	1	J				[DMM] with Tag 52111052AB-10-02-00 and After
	5015 982AA	1	J				[DMD] With Tag 52111053AA-Up To and Including 10-01-00
	#5015 982AB	1	J				[DMD] With Tag 52111053AB-10-02-00 and After
	5015 982AA	1	J				[DMD] With Tag 52111054AA-Up To and Including 10-01-00
	#5015 982AB	1	J				[DMD] With Tag 52111054AB-10-02-00 and After
	5016 113AA	1	U				[DMD] with Tag 52099372AA-Up To and Including 10-01-00
	#5016 113AB	1	U				[DMD] with Tag 52099372AB-10-02-00 and After
	5016 113AA	1	U				[DMD] with Tag 52099373AA-Up To and Including 10-01-00
	#5016 113AB	1	U				[DMD] with Tag 52099373AB-10-02-00 and After

JEEP CHEROKEE (XJ)

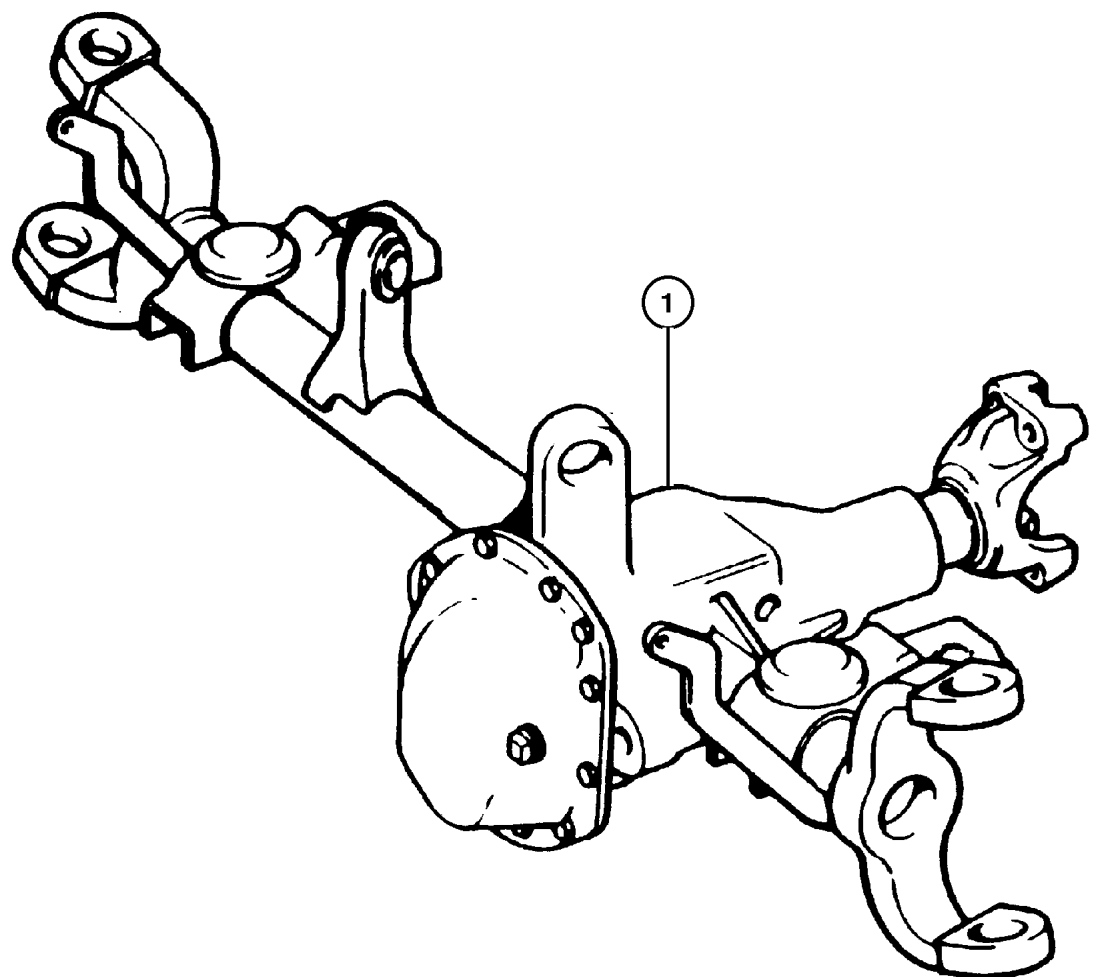
SERIES	LINE	BODY	ENGINE	TRANSMISSION
P = Limited	J = LHD (4WD)	74=4 Dr. (101.4 WB)	ENC, EN0 = 2.5L 4 Cyl Turbo	DDD = 5 Speed Manual
S = Limited	U = RHD (4WD)	72=2 Dr. (101.4 WB)	ERH, ER0 = 4.0L Power Tech	DGS = 4 Speed Auto AISIN
H = Sport	T = LHD (2WD)			DG0 = All Automatic Trans
L = SE	B = RHD (2WD)			DBB = All Manual Trans

AR = Use as required - = Non illustrated part # = New this model year

May 2, 2002

Axle Assembly, Front, 4 Wheel Drive
Figure 002-410

ITEM	PART NUMBER	QTY	LINE	BODY	ENGINE	TRANS	DESCRIPTION
	5016 113AA	1	U				[DMD] with Tag 52111055AA-Up To and Including 10-01-00
	#5016 113AB	1	U				[DMD] with Tag 52111055AC-10-02-00 and After
	5016 113AA	1	U				[DMD] with Tag 52111056AA-Up To and Including 10-01-00
	#5016 113AB	1	U				[DMD] with Tag 52111056AC-10-02-00 and After
	4797 780	1	U		ENC		[DME] with Tag 52099300AE-Up To and Including 10-01-00
	#4797 780AB	1	U		ENC		[DME] with Tag 52099300AF-10-02-00 and After
	4797 780	1	U		ENC		[DME] with Tag 52099301AE-Up To and Including 10-01-00
	#4797 780AB	1	U		ENC		[DME] with Tag 52099301AF-10-02-00 and After



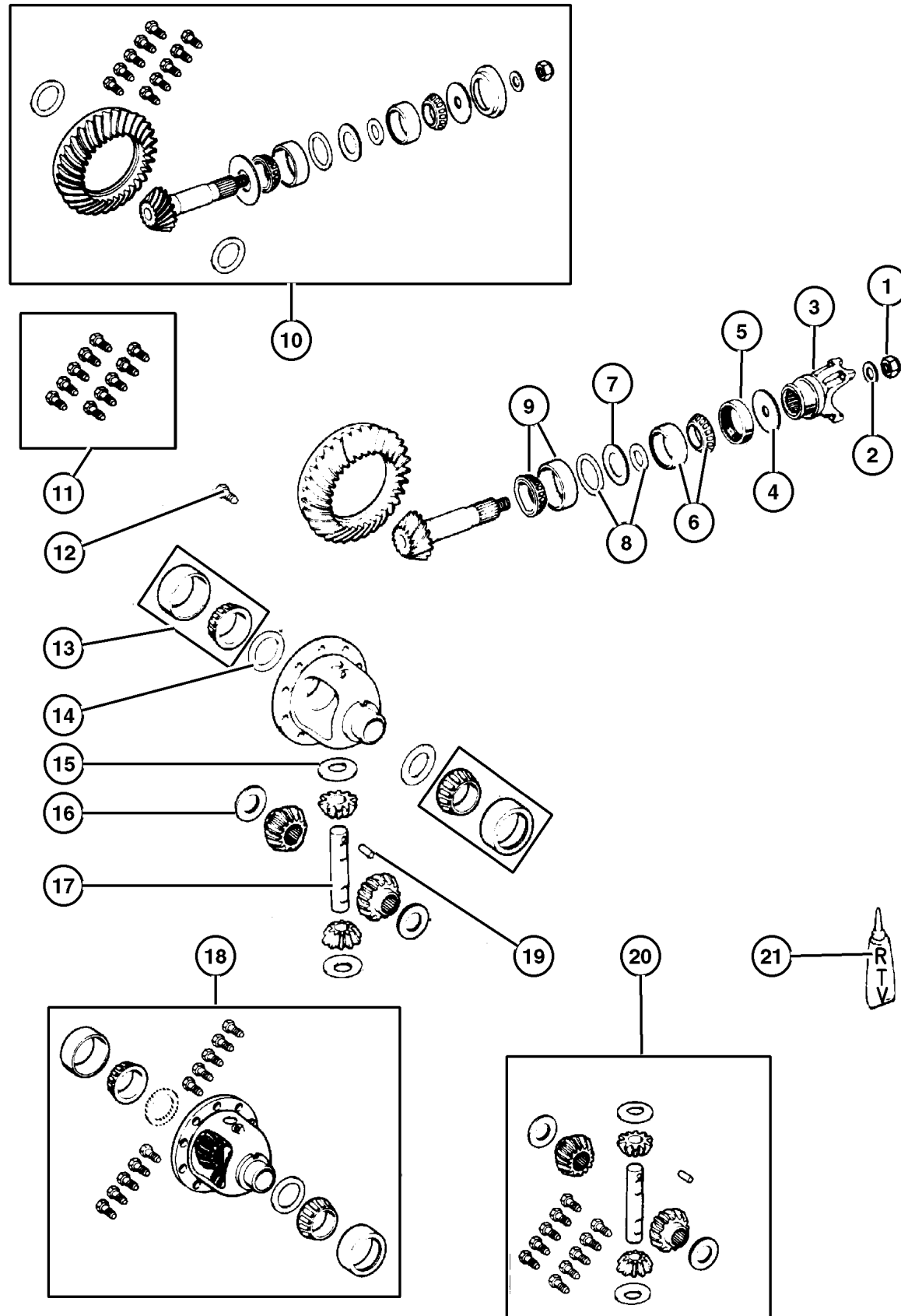
JEEP CHEROKEE (XJ)

SERIES	LINE	BODY	ENGINE	TRANSMISSION
P = Limited	J = LHD (4WD)	74=4 Dr. (101.4 WB)	ENC, EN0 = 2.5L 4 Cyl Turbo	DDD = 5 Speed Manual
S = Limited	U = RHD (4WD)	72=2 Dr. (101.4 WB)	ERH, ER0 = 4.0L Power Tech	DGS = 4 Speed Auto AISIN
H = Sport	T = LHD (2WD)			DG0 = All Automatic Trans
L = SE	B = RHD (2WD)			DBB = All Manual Trans

AR = Use as required - = Non illustrated part # = New this model year

May 2, 2002

Differential, Front Axle Figure 002-610



ITEM	PART NUMBER	QTY	LINE	BODY	ENGINE	TRANS	DESCRIPTION
Note: Sales Codes; are on The Truck							
[DMD]=Axle Ratio - 3.55 are on The Truck							
[DME]=Axle Ratio - 3.73 are on The Truck							
[DMM]=Axle Ratio - 3.07 are on The Truck							
[ENC]=Engine - 2.5L 4 Cylinder Turbo Diesel are on The Truck							
[EN0]=Engines - All 4/5 Cylinder Turbo Diesel are on The Truck							
1							NUT, Pinion Yoke
	1791 575	1	J				Up To and Including 10-01-00
	5017 755AA	1	J				10-02-00 and After
	1791 575	1	U				Up To and Including 10-01-00
	5017 755AA	1	U				10-02-00 and After
2							WASHER, Pinion Yoke
	1791 576	1	J				
		1	U				
3							YOKE, Axle
	8350 3388	1	J				
		1	U				
4							SLINGER, Drive Pinion
	4031 974	1	J				
		1	U				
5							SEAL, Drive Pinion
	4746 772	1	J				Non Flanged
	#5072 473AA	1	J				Flanged
	4746 772	1	U				Non Flanged
	#5072 473AA	1	U				Flanged
6							BEARING, Drive Pinion
	5252 508	1	J				Bearing and Cup, Front
	J812 6499	1	U				Bearing and Cup, Front
7							SPACER
	4864 845AB	1	J				Crush
		1	U				Crush
8							SHIM KIT, Pinion Shaft
	8350 0192	1	J				
		1	U		ENC		
9							BEARING, Drive Pinion
	J812 6499	1	J				Bearing and Cup, Rear
		1	U				Bearing and Cup, Rear
10							GEAR KIT, Ring And Pinion
	5012 476AA	1	J				[DMD]-Up To and Including 10-01-00
	5012 476AB	1	J				[DMD]-10-02-00 and After
	4746 074	1	J		ENC		[DME]-Up To and Including 10-01-00
	#5073 234AA	1	J		ENC		[DME]-10-02-00 and After

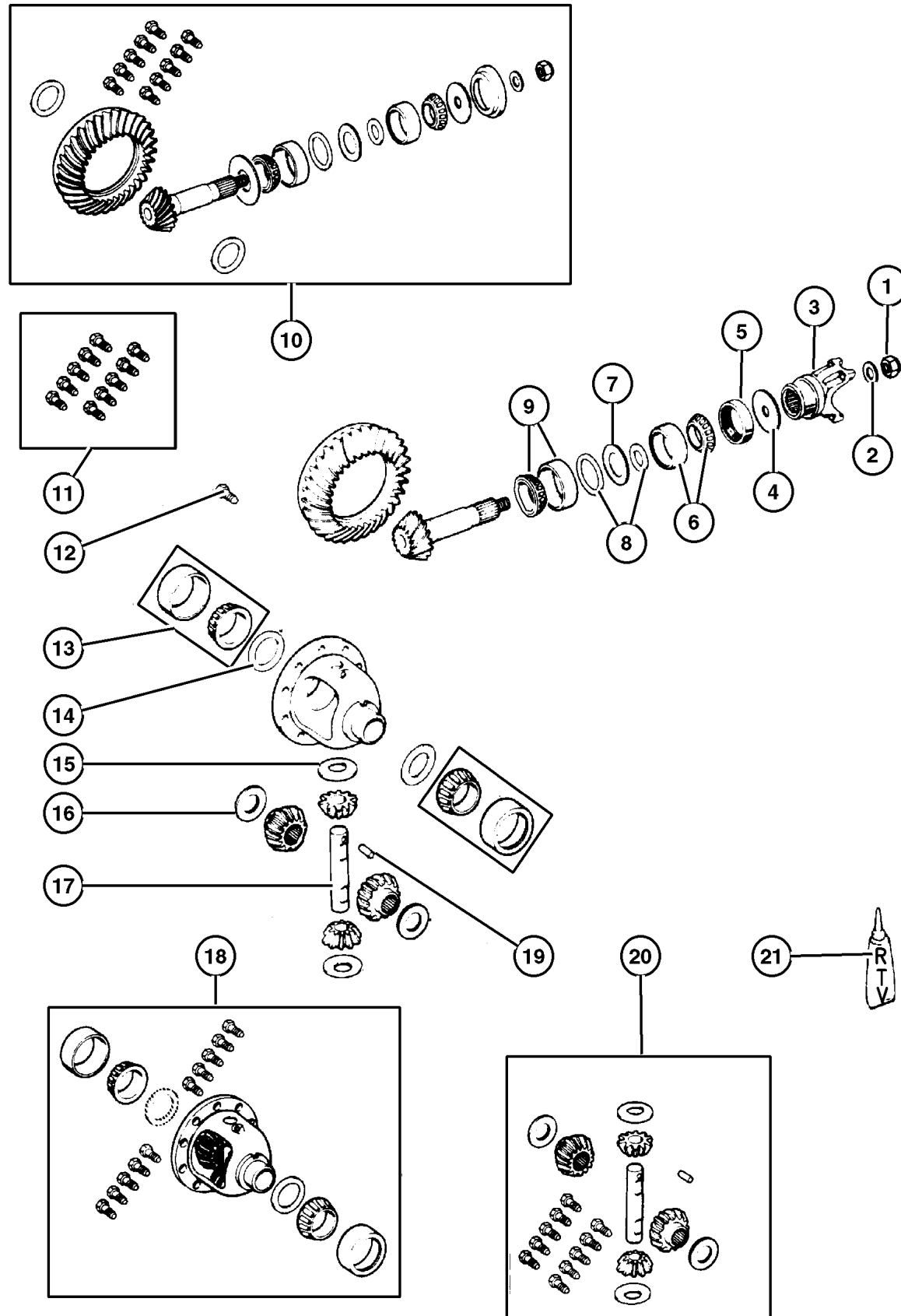
JEEP CHEROKEE (XJ)

SERIES	LINE	BODY	ENGINE	TRANSMISSION
P = Limited	J = LHD (4WD)	74=4 Dr. (101.4 WB)	ENC, EN0 = 2.5L 4 Cyl Turbo	DDD = 5 Speed Manual
S = Limited	U = RHD (4WD)	72=2 Dr. (101.4 WB)	ERH, ER0 = 4.0L Power Tech	DGS = 4 Speed Auto AISIN
H = Sport	T = LHD (2WD)			DG0 = All Automatic Trans
L = SE	B = RHD (2WD)			DBB = All Manual Trans

AR = Use as required - = Non illustrated part # = New this model year

May 2, 2002

Differential, Front Axle Figure 002-610



ITEM	PART NUMBER	QTY	LINE	BODY	ENGINE	TRANS	DESCRIPTION
	4864 853	1	J				[DMM]-Up To and Including 10-01-00
	#5072 997AB	1	J				[DMM]-10-02-00 and After
	5012 476AA	1	U				[DMD]-Up To and Including 10-01-00
	#5072 997AB	1	U				[DMD]-10-02-00 and After
	4746 074	1	U		ENC		[DME]-Up To and Including 10-01-00
	#5073 234AA	1	U		ENC		[DME]-10-02-00 and After
11							BOLT KIT
	4720 891	1	J				
		1	U				
12							SCREW, Drive Gear
	5252 503	1	J				
		1	U				
13							BEARING, Differential
	J812 6500	1	J				Consists of 2 Bearings and 2 Cups, Side
		1	U				Consists of 2 Bearings and 2 Cups, Side
14							SHIM KIT, Differential
	4720 863	1	J				
		1	U				
15							WASHER, Flat
	J812 0831	1	J				Pinion Gear Thrust
		1	U				Pinion Gear Thrust
16							WASHER, Flat
	J813 3724	1	J				Side Gear
		1	U				Side Gear
17							SHAFT, Differential
	5003 840AA	1	J				
		1	U				
18							CASE, Differential
	5252 582	1	J				[DMD,DMM]
	5252 590	1	J		ENC		[DME]
	5252 582	1	U				[DMD]
	5252 590	1	U		ENC		[DME]
19							PIN, Differential Shaft
	1791 563	1	J				
		1	U				
20							GEAR KIT, Center Differential
	5252 591	1	J				
		1	U				
21	5010 884AA	1	J, U		EN0	DD0	SEALANT, RTV

JEEP CHEROKEE (XJ)

SERIES	LINE	BODY	ENGINE	TRANSMISSION
P = Limited	J = LHD (4WD)	74=4 Dr. (101.4 WB)	ENC, EN0 = 2.5L 4 Cyl Turbo	DDD = 5 Speed Manual
S = Limited	U = RHD (4WD)	72=2 Dr. (101.4 WB)	ERH, ER0 = 4.0L Power Tech	DGS = 4 Speed Auto AISIN
H = Sport	T = LHD (2WD)			DG0 = All Automatic Trans
L = SE	B = RHD (2WD)			DBB = All Manual Trans

AR = Use as required - = Non illustrated part # = New this model year

May 2, 2002

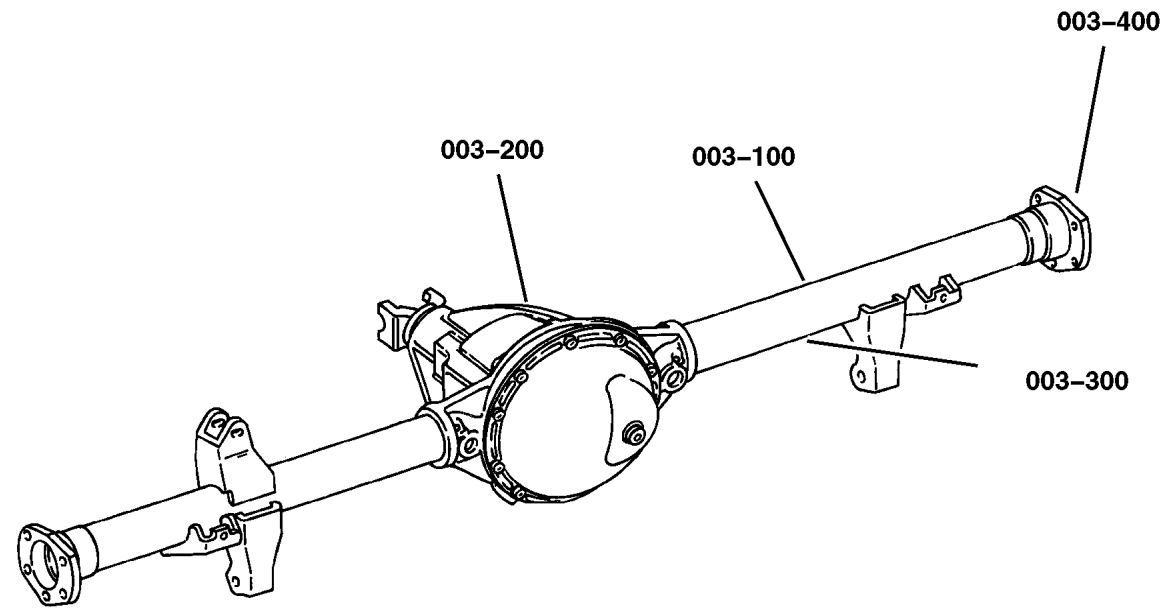
Group – 003

Rear Axle

GROUP 3 - Rear Axle

Illustration Title

Group-Fig. No.



Rear Axle

Axle Assembly,Rear-Chrysler Model 8.25 Fig. 003-110

Axle Assembly,Rear,Dana M35/194MM [DRJ] and Dana 35C/194MM [DRM] Fig. 003-120

Differential and Housing

Differential and Housing-Chrysler Model 8.25 Fig. 003-210

Housing,Rear Axle,Dana M35/194MM [DRJ] and Dana 35C/194MM [DRM] Fig. 003-220

Differential,Without Trac-Lok,Dana M35/194MM [DRJ] and Dana 35C/194MM [DRM] Fig. 003-230

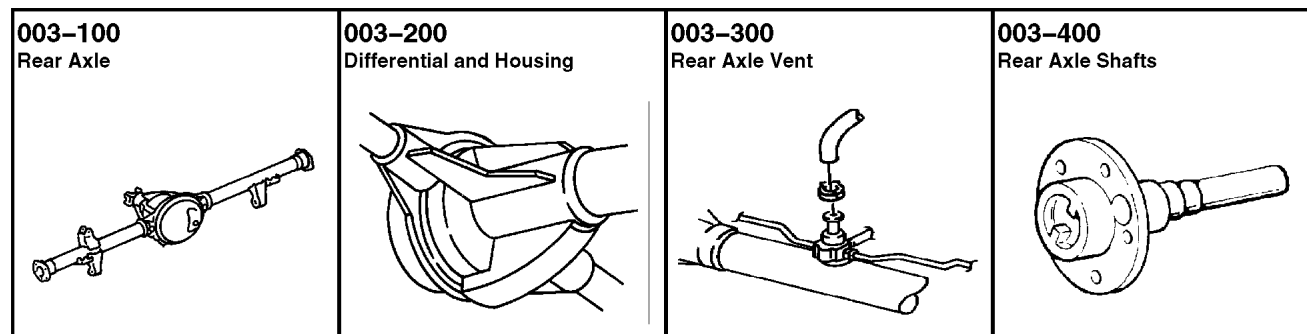
Differential, With Trac-Lok,Dana M35/194MM [DRJ] and Dana 35C/194MM [DRM] Fig. 003-240

Rear Axle Vent

Vent, Axle Fig. 003-310

Rear Axle Shafts

Shaft, Rear Axle Dana Model 35 Fig. 003-410

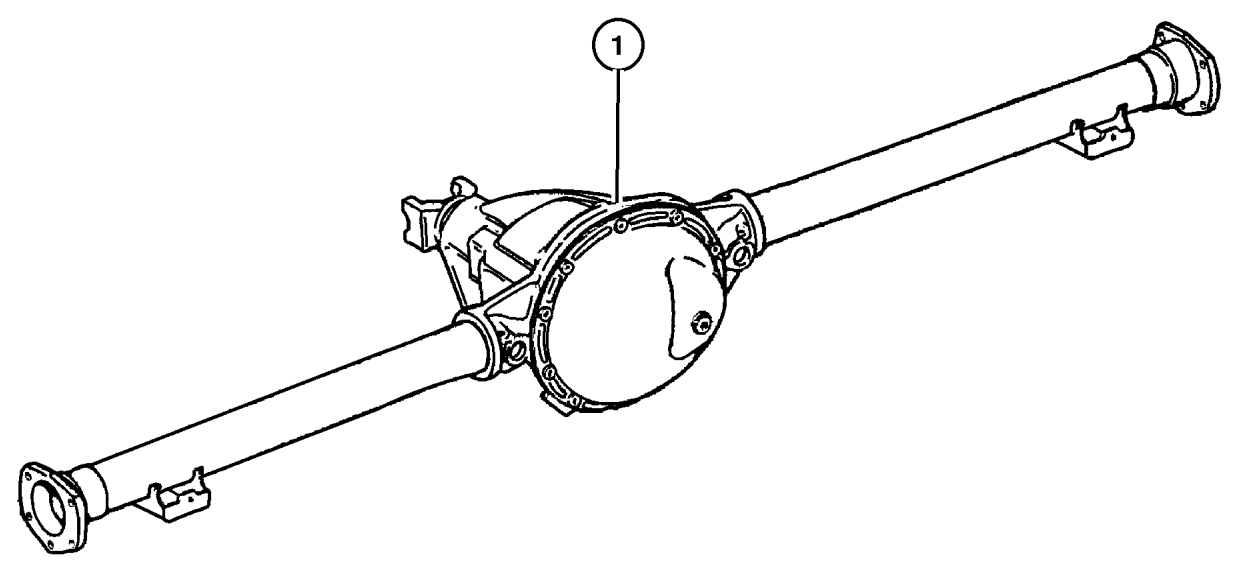


**Axle Assembly,Rear-Chrysler Model 8.25
Figure 003-110**

ITEM	PART NUMBER	QTY	LINE	SERIES	BODY	DESCRIPTION
------	-------------	-----	------	--------	------	-------------

Note: are on The Truck
DMM = 3.07 Ratio are on The Truck
DMD = 3.55 Ratio are on The Truck
DSA = Axle - Anti-Spin Differential are on The Truck

1						AXLE, Service Rear
	4886 139AB	1				[DMM,-DSA] with Tag 52098715AE
	4886 140AB	1				[DMM,+DSA] with Tag 52099380AE
	4886 138AA	1				[DMD,-DSA] with Tag 52098716AE
	4886 133AA	1				[DMD,+DSA] with Tag 52098717AE

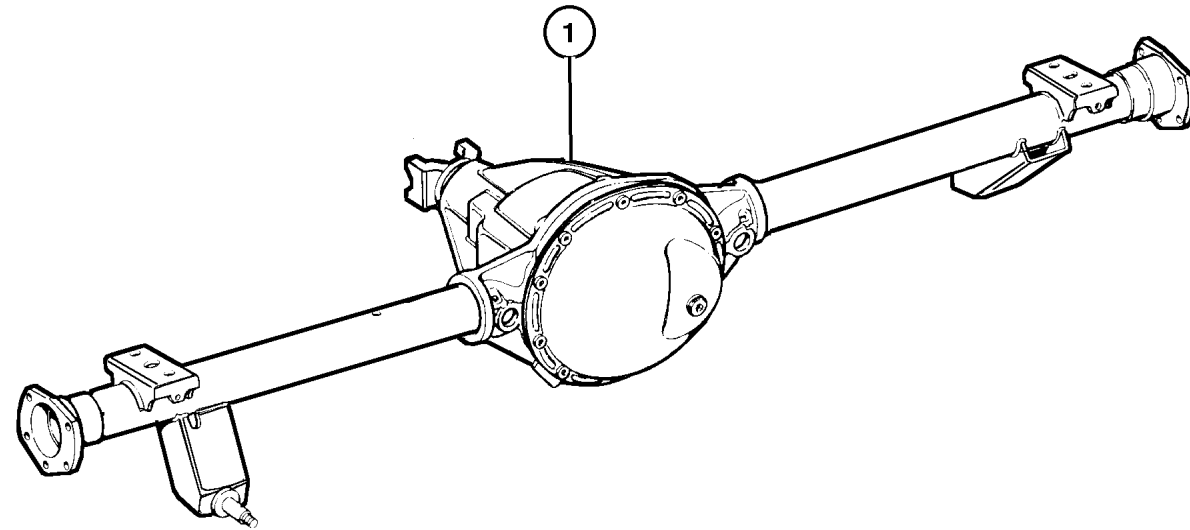


JEEP CHEROKEE (XJ)				
SERIES	LINE	BODY	ENGINE	TRANSMISSION
P = Limited	J = LHD (4WD)	74=4 Dr. (101.4 WB)	ENC, EN0 = 2.5L 4 Cyl Turbo	DDD = 5 Speed Manual
S = Limited	U = RHD (4WD)	72=2 Dr. (101.4 WB)	ERH, ER0 = 4.0L Power Tech	DGS = 4 Speed Auto AISIN
H = Sport	T = LHD (2WD)			DG0 = All Automatic Trans
L = SE	B = RHD (2WD)			DBB = All Manual Trans

AR = Use as required - = Non illustrated part # = New this model year

May 2, 2002

**Axle Assembly,Rear,Dana M35/194MM [DRJ] and Dana 35C/194MM [DRM]
Figure 003-120**



ITEM	PART NUMBER	QTY	LINE	SERIES	BODY	DESCRIPTION
Note:Sales Codes; are on The Truck						
[DMD]=Axle Ratio - 3.55 are on The Truck						
[DME]=Axle Ratio - 3.73 are on The Truck						
[DMM]=Axle Ratio - 3.07 are on The Truck						
[DRJ]=Axle - Rear,Dana M35/194MM are on The Truck						
[DRM]=Axle - Rear,Dana 35C/194MM are on The Truck						
[DSA]=Axle - Trac-Lok Differential are on The Truck						
1						AXLE, Service Rear
	4882 529	1				[DRJ,DMM] Tag-52099474AC-Up To and Including 10-01-00
	#4882 529AB	1				[DRJ,DMM] Tag-52099474AE-10-02-00 and After
	4882 527	1				[DRJ,DMM,DSA] Tag-52099459AC-Up To and Including 10-01-00
	#4882 527AB	1				[DRJ,DMM,DSA] Tag-52099459AE-10-02-00 and After
	5011 693AA	1				[DRJ,DMM,DSA] Tag-52111769AB-Up To and Including 10-01-00
	#4882 527AB	1				[DRJ,DMM,DSA] Tag-52111769AD-10-02-00 and After
	#5073 268AA	1				[DRJ,DMD] Tag-52104588AA
	4797 553	1				[DRM,DMD] Tag 52099473AC-Up To and Including 10-01-00
	4797 553AB	1				[DRM,DMD] Tag 52099473AE-10-02-00 and After
	4797 571	1				[DRM,DMD,DSA,] Tag-52099457AC-Up To and Including 10-01-00
	#4797 571AB	1				[DRM,DMD,DSA,] Tag-52099457AE-10-02-00 and After
	4797 571	1				[DRM,DMD,DSA,] Tag-52099458AC-Up To and Including 10-01-00
	#4797 571AB	1				[DRM,DMD,DSA,] Tag-52099458AE-10-02-00 and After
	5011 690AA	1				[DRM,DMD,DSA,] Tag-52111770AB-Up To and Including 10-01-00
	#5011 690AB	1				[DRM,DMD,DSA,] Tag-52111770AD-10-02-00 and After
	4882 560	1				[DRM,DME,DSA] Tag-52099460AC-Up To and Including 10-01-00
	#4882 560AB	1				[DRM,DME,DSA] Tag-52099460AE-10-02-00 and After
	4798 093	1				[DRM,DME,DSA] Tag-52099468AC-Up To and Including 10-01-00
	#4882 560AB	1				[DRM,DME,DSA] Tag-52099468AE-10-02-00 and After

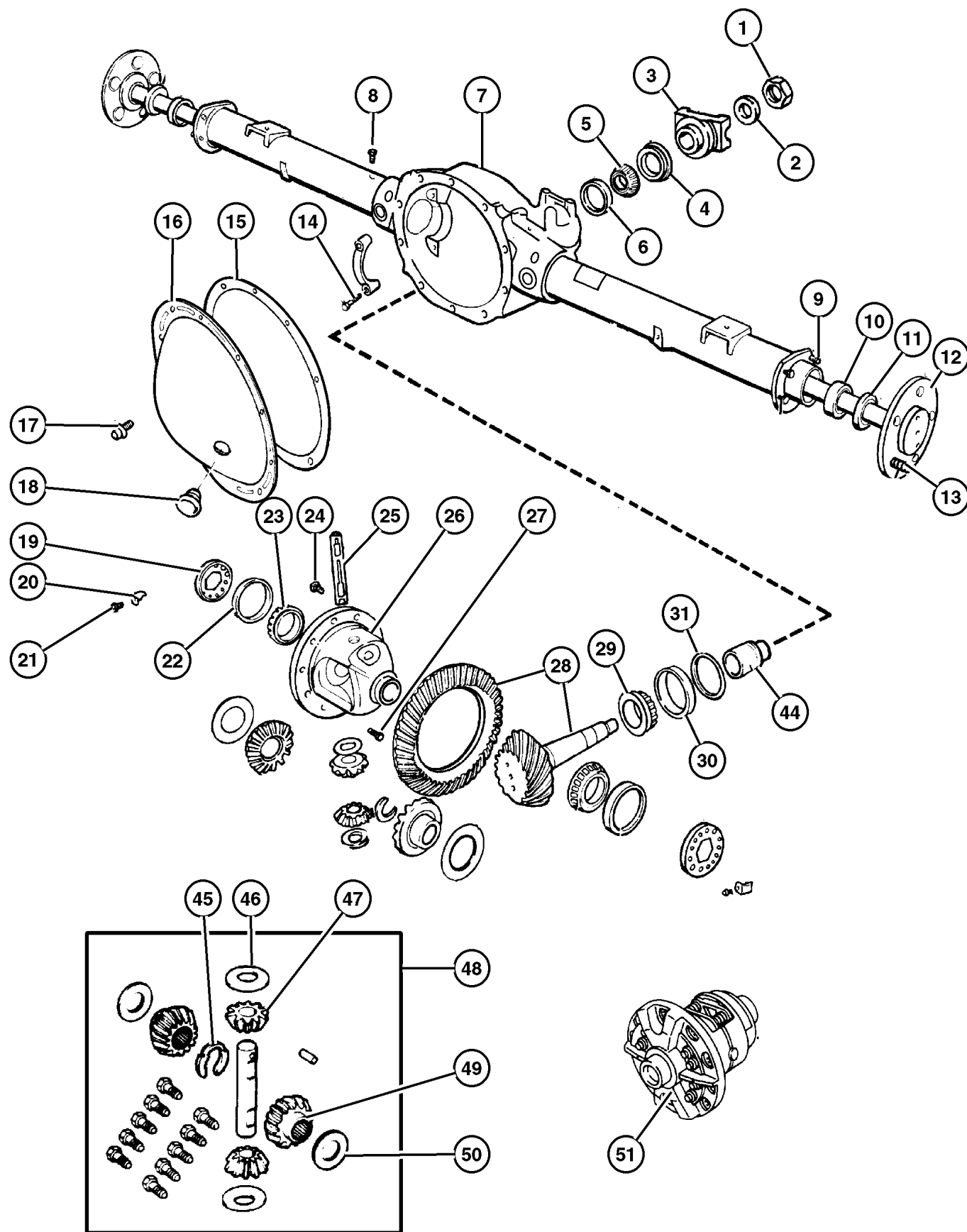
JEEP CHEROKEE (XJ)

SERIES	LINE	BODY	ENGINE	TRANSMISSION
P = Limited	J = LHD (4WD)	74=4 Dr. (101.4 WB)	ENC, EN0 = 2.5L 4 Cyl Turbo	DDD = 5 Speed Manual
S = Limited	U = RHD (4WD)	72=2 Dr. (101.4 WB)	ERH, ER0 = 4.0L Power Tech	DGS = 4 Speed Auto AISIN
H = Sport	T = LHD (2WD)			DG0 = All Automatic Trans
L = SE	B = RHD (2WD)			DBB = All Manual Trans

AR = Use as required - = Non illustrated part # = New this model year

May 2, 2002

Differential and Housing-Chrysler Model 8.25
Figure 003-210



ITEM	PART NUMBER	QTY	LINE	SERIES	BODY	DESCRIPTION
Note:DRA = 8.25 Chrysler Axle---DMM=3.07 Ratio---DMD=3.55 Ratio--DSA= Anti-Spin Differential are on The Truck						
1	6028 041	1				NUT, Pinion Yoke
2	2070 117	1				WASHER, Pinion Yoke
3	5206 8839	1				YOKE, Axle
4	5206 7595	1				SEAL, Drive Pinion
5	2070 316	1				BEARING, Drive Pinion, Front
6	2070 317	1				CUP, Drive Pinion Bearing, Front
7	4886 134AA	1				HOUSING, Axle
8	5206 7508	1				BOLT, Axle Vent
9	3723 668	8				STUD, Axle Housing to Backing Plate
10	3507 898AB	2				BEARING, Wheel
11	52070 427AA	2				SEAL, Axle Drive Shaft
12	5209 8902	2				SHAFT, Axle
13	5300 8135	10				STUD, Hub, Wheel
14	3432 695	4				SCREW, Hex Head, .50-13x2.38, Carrier Cap Mounting
15	5010 884AA	1	J, U			SEALANT, RTV
16	3723 681AC	1				COVER, Differential
17	6033 043	10				SCREW AND WASHER, Hex Flange Head, .312-18x.562, Differential Cover
18	52070 428AA	1				PLUG, Differential Cover
19	3507 876	2				ADJUSTER, Differential Bearing
20	3723 859	2				LOCK, Differential Bearing
21	6023 092	2				SCREW AND WASHER, Hex Head, .25-20x.50, Differential Bearing Lock
22	3723 569	2				CUP, Differential Side Bearing
23	1790 541	2				BEARING, Differential
24	4443 158	1				SCREW PACKAGE, Axle Drive Gear, Ring Gear Attaching
25	5206 9657	1				SHAFT, Differential Pinion
26	5209 8776	1				CASE, Differential, [-DSA]
27	3507 724	1				SCREW, Hex Head, .312-18x1.80, Differential Pinion Shaft Lock
28						GEAR KIT, Ring And Pinion
	4728 707AC	1				[DMM]
	4856 540AB	1				[DMD]
29	2800 484	1				BEARING, Drive Pinion, Rear
30	2800 485	1				CUP, Drive Pinion Bearing, Rear
31	3723 520	AR				SHIM, Drive Pinion Bearing, .020
-32	3723 522	AR				SHIM, Drive Pinion Bearing, .022
-33	3723 524	AR				SHIM, Drive Pinion Bearing, .024
-34	3723 526	AR				SHIM, Drive Pinion Bearing, .026
-35	3723 527	AR				SHIM, Drive Pinion Bearing, .027
-36	3723 528	AR				SHIM, Drive Pinion Bearing, .028
-37	3723 529	AR				SHIM, Drive Pinion Bearing, .029

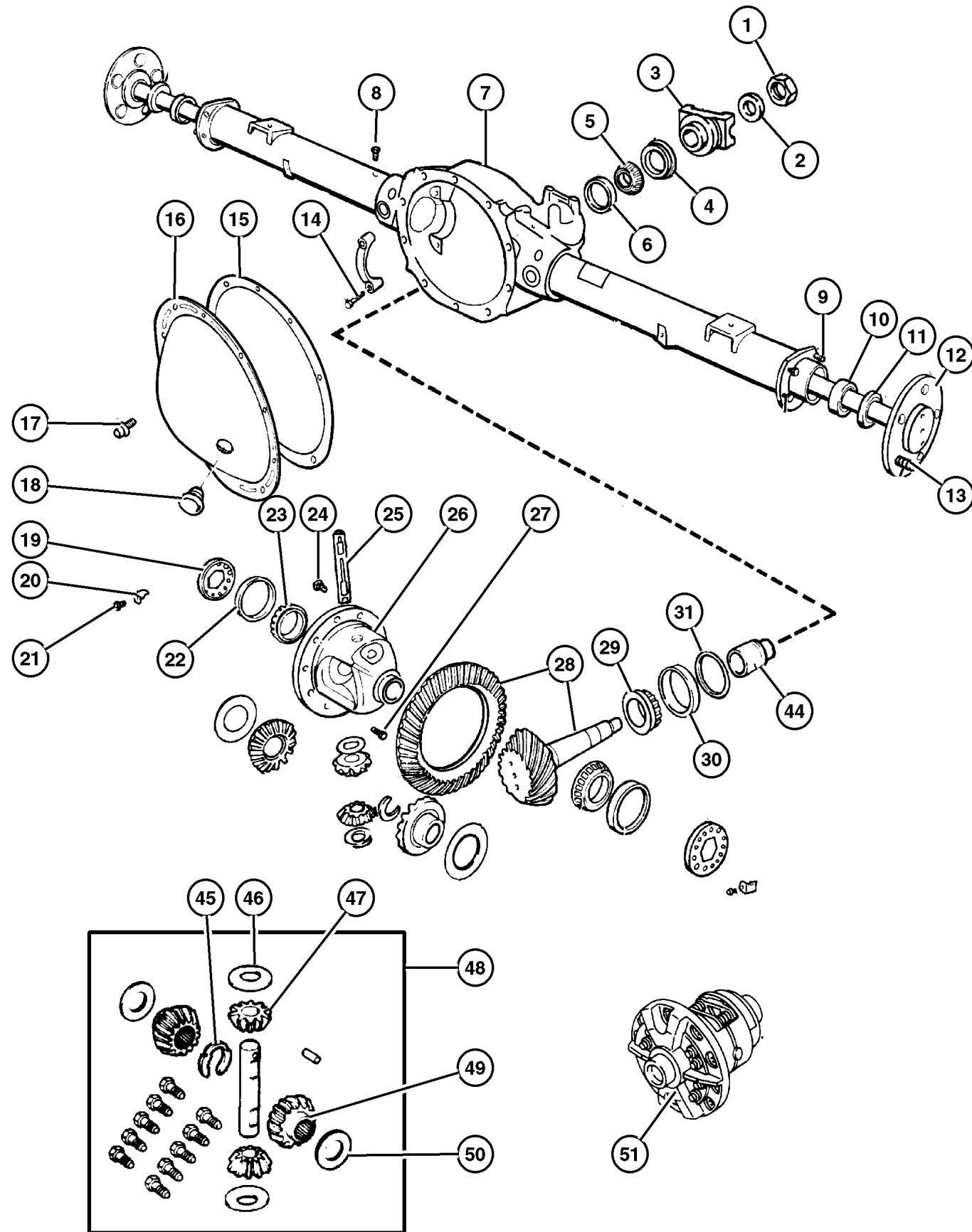
JEEP CHEROKEE (XJ)

SERIES	LINE	BODY	ENGINE	TRANSMISSION
P = Limited	J = LHD (4WD)	74=4 Dr. (101.4 WB)	ENC, EN0 = 2.5L 4 Cyl Turbo	DDD = 5 Speed Manual
S = Limited	U = RHD (4WD)	72=2 Dr. (101.4 WB)	ERH, ER0 = 4.0L Power Tech	DGS = 4 Speed Auto AISIN
H = Sport	T = LHD (2WD)			DG0 = All Automatic Trans
L = SE	B = RHD (2WD)			DBB = All Manual Trans

AR = Use as required - = Non illustrated part # = New this model year

May 2, 2002

Differential and Housing-Chrysler Model 8.25
Figure 003-210



ITEM	PART NUMBER	QTY	LINE	SERIES	BODY	DESCRIPTION
-38	3723 530	AR				SHIM, Drive Pinion Bearing, .030
-39	3723 531	AR				SHIM, Drive Pinion Bearing, .031
-40	3723 532	AR				SHIM, Drive Pinion Bearing, .032
-41	3723 534	AR				SHIM, Drive Pinion Bearing, .034
-42	3723 536	AR				SHIM, Drive Pinion Bearing, .036
-43	3723 538	AR				SHIM, Drive Pinion Bearing, .038
44	3507 575	1				SPACER, Drive Pinion Bearing, Crush
45	5206 9426	2				RETAINER, Axle Shaft
46	2852 912	2				WASHER, Pinion Thrust
47	5206 9655	2				PINION, Differential
48	4883 087	1				GEAR PACKAGE, Differential
49	5206 9429	2				GEAR, Differential, Side
50	4883 085	1				WASHER PACKAGE, Side Gear Thrust
51	5209 8778	1				CASE, Differential, [+DSA]

JEEP CHEROKEE (XJ)

SERIES	LINE	BODY	ENGINE	TRANSMISSION
P = Limited	J = LHD (4WD)	74=4 Dr. (101.4 WB)	ENC, EN0 = 2.5L 4 Cyl Turbo	DDD = 5 Speed Manual
S = Limited	U = RHD (4WD)	72=2 Dr. (101.4 WB)	ERH, ER0 = 4.0L Power Tech	DGS = 4 Speed Auto AISIN
H = Sport	T = LHD (2WD)			DG0 = All Automatic Trans
L = SE	B = RHD (2WD)			DBB = All Manual Trans

AR = Use as required - = Non illustrated part # = New this model year

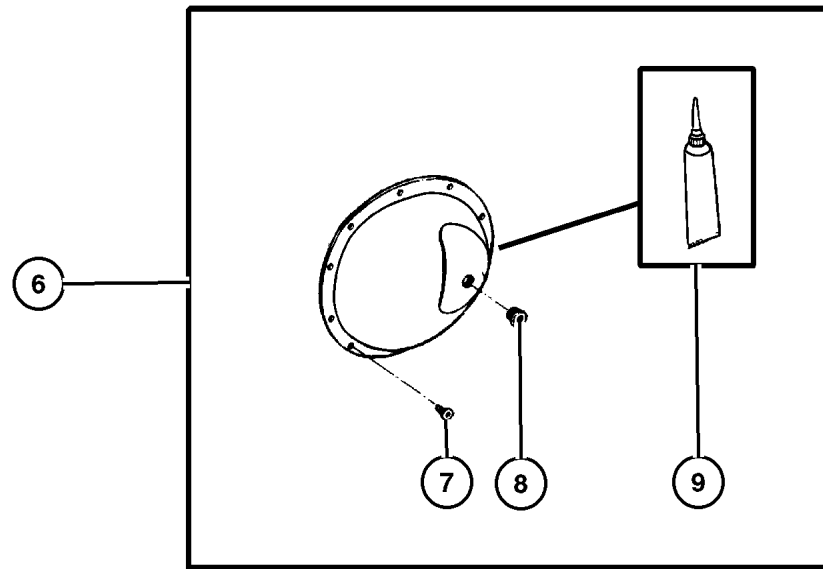
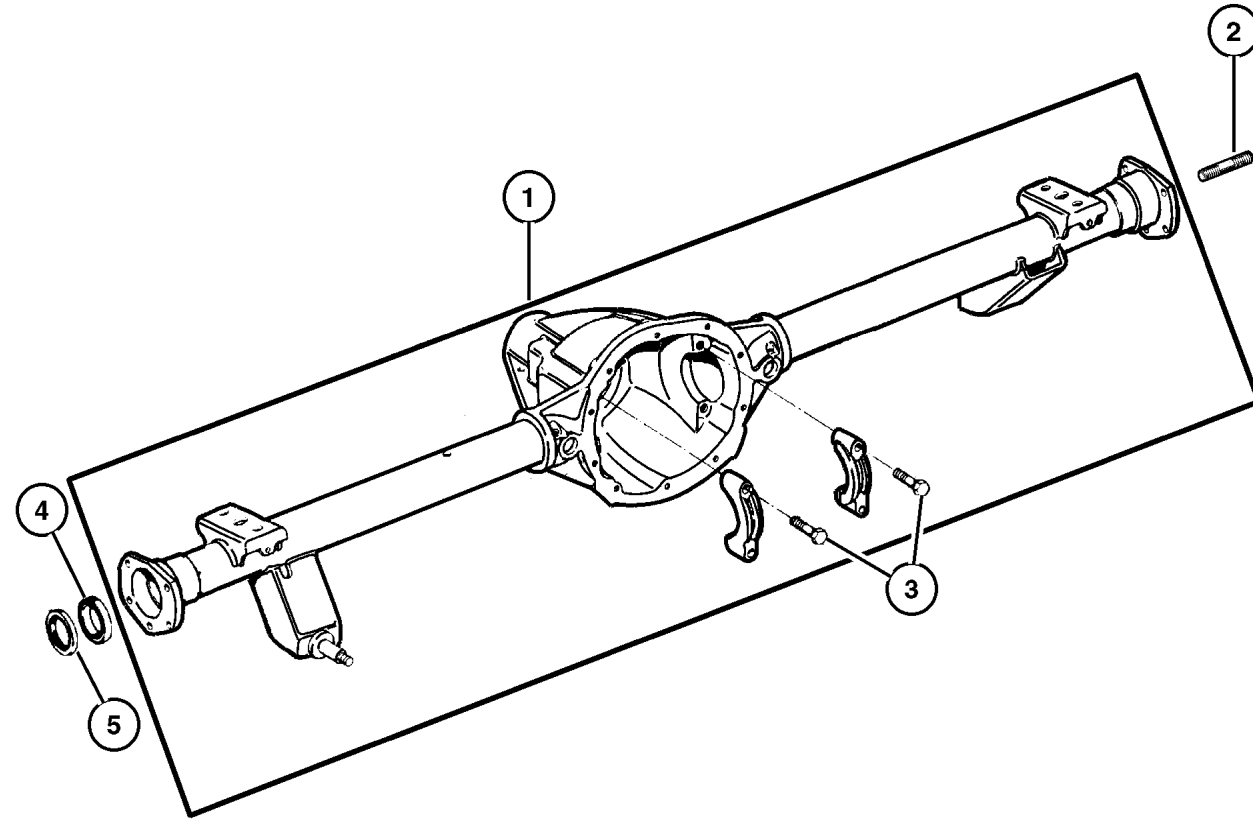
May 2, 2002

Housing,Rear Axle,Dana M35/194MM [DRJ] and Dana 35C/194MM [DRM]
Figure 003-220

ITEM	PART NUMBER	QTY	LINE	SERIES	BODY	DESCRIPTION
------	-------------	-----	------	--------	------	-------------

Note:Sales Codes; are on The Truck
 [DMD]=Axle Ratio - 3.55 are on The Truck
 [DME]=Axle Ratio - 3.73 are on The Truck
 [DRJ]=Axle - Rear,Dana M35/194MM are on The Truck
 [DRM]=Axle - Rear,Dana 35C/194MM are on The Truck

1						HOUSING, Rear Axle
	4798 092	1				[DRJ]
	4636 168	1				[DRM,DMD]
	4798 092	1				[DRM,DMD] Tag-52111770AB-Up To and Including 10-01-00
	#5072 770AA	1				[DRM,DMD] Tag-52111770AD,52104588AA-10-02-00 and After
	4798 092	1				[DRM,DME]
2	J099 4313	8				STUD, Backing Plate to Housing Mounting
3	4897 482AB	4				BOLT, Differential, Carrier Cap Mounting
4	J8134 586AB	2				BEARING, Axle Shaft
5	4856 336	2				SEAL, Axle Drive Shaft
6	5252 493	1				COVER, Differential, with Cover Screws,Plug, and Gasket
7	J400 6708	10				SCREW, Pan Head, .312-18x.56, Cover Attaching
8	5252 504	1				PLUG, Differential Cover
9	5010 884AA	1	J, U			SEALANT, RTV



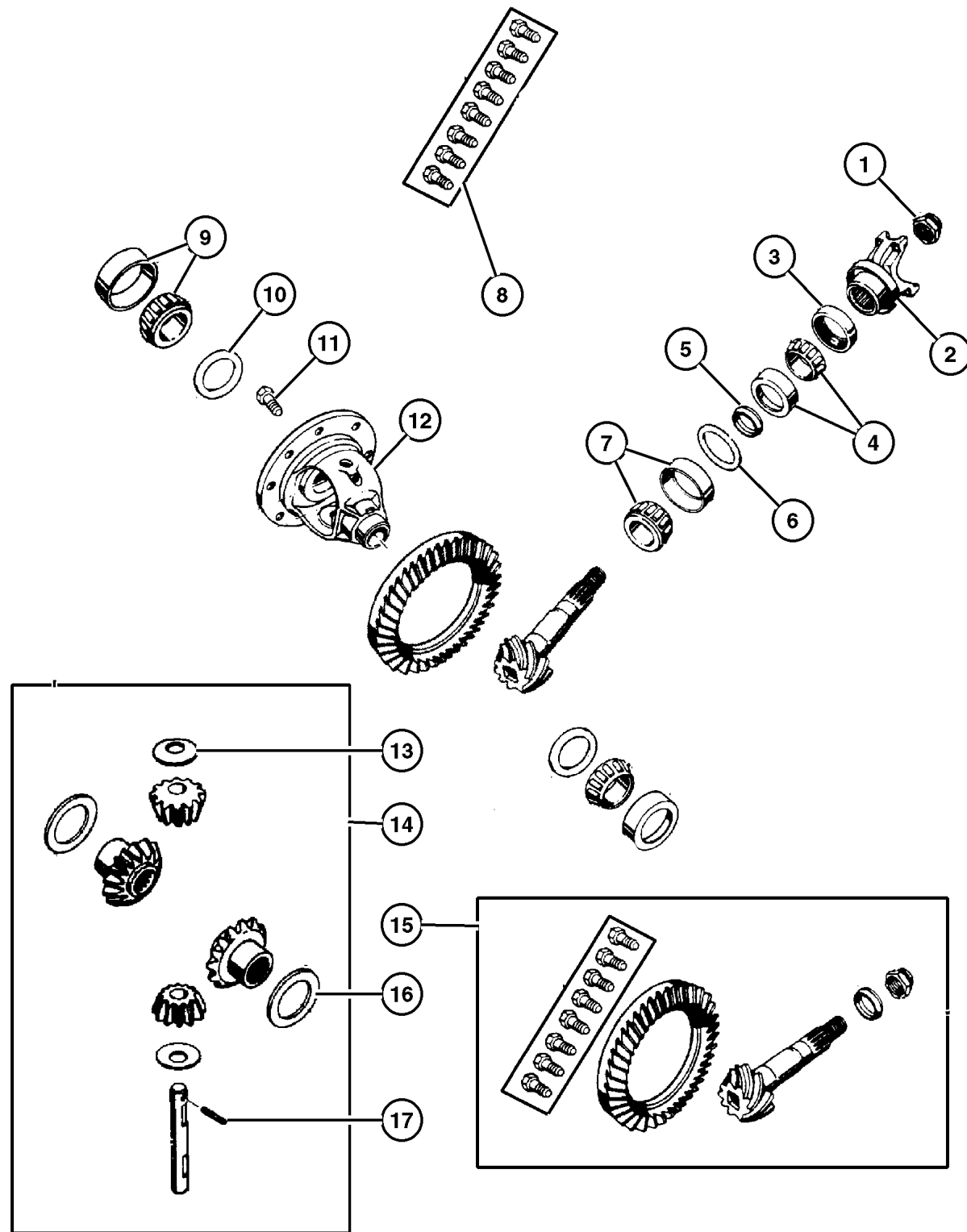
JEEP CHEROKEE (XJ)

SERIES	LINE	BODY	ENGINE	TRANSMISSION
P = Limited	J = LHD (4WD)	74=4 Dr. (101.4 WB)	ENC, EN0 = 2.5L 4 Cyl Turbo	DDD = 5 Speed Manual
S = Limited	U = RHD (4WD)	72=2 Dr. (101.4 WB)	ERH, ER0 = 4.0L Power Tech	DGS = 4 Speed Auto AISIN
H = Sport	T = LHD (2WD)			DG0 = All Automatic Trans
L = SE	B = RHD (2WD)			DBB = All Manual Trans

AR = Use as required - = Non illustrated part # = New this model year

May 2, 2002

**Differential, Without Trac-Lok, Dana M35/194MM [DRJ] and Dana 35C/194MM [DRM]
Figure 003-230**



ITEM	PART NUMBER	QTY	LINE	SERIES	BODY	DESCRIPTION
Note: Sales Codes; are on The Truck						
[DMD]=Axle Ratio - 3.55 are on The Truck						
[DME]=Axle Ratio - 3.73 are on The Truck						
[DMM]=Axle Ratio - 3.07 are on The Truck						
[DRJ]=Axle - Rear, Dana M35/194MM are on The Truck						
[DRM]=Axle - Rear, Dana 35C/194MM are on The Truck						
1	4720 895	1				NUT, Pinion Yoke
2						YOKE, Axle
	4797 552	1				[DMD]
	4746 835	1				DME, DMM]
3	8350 4946	1				SEAL, Drive Pinion
4	5252 508	1				BEARING, Drive Pinion, Bearing and Cup, Front
5	J317 5779	1				SPACER, Drive Pinion Bearing, Crush
6	4720 922	1				SHIM KIT, Pinion Shaft
7	5252 507	1				BEARING, Drive Pinion, Bearing and Cup, Rear
8						BOLT KIT
	4720 891	1				Up To and Including 10-01-00
	5012 810AC	1				10-02-00 and After
9	J812 6500	1				BEARING, Differential, Consists of 2 Bearings and 2 Cups
10	8350 3004	1				SHIM KIT, Differential, Carrier Bearing
11	5252 503	10				SCREW, Drive Gear, Ring Gear, Mounting
12						CASE, Differential
	4740 834	1				[DMD]-Up To and Including 10-01-00
	#5072 976AA	1				[DMD]-10-02-00 and After
	4740 833	1				[DMM]-Up To and Including 10-01-00
	#5073 110AA	1				[DMM]-10-02-00 and After
13	J812 0831	2				WASHER, Flat, Pinion Thrust
14	4740 670	1				GEAR KIT, Center Differential
15						GEAR KIT, Ring And Pinion
	8350 5472	1				[DMM]-Up To and Including 10-01-00
	#5073 013AA	1				[DMM]-10-02-00 and After
	4761 676	1				[DMD]-Up To and Including 10-01-00
	5012 828AC	1				[DMD]-10-02-00 and After
	4761 678	1				[DME]-Up To and Including 10-01-00
	5012 807AC	1				[DME]-10-02-00 and After
16	J812 0832	2				WASHER, Differential Side Gear, Thrust
17	5252 502	1				PIN, Differential Shaft

JEEP CHEROKEE (XJ)

SERIES	LINE	BODY	ENGINE	TRANSMISSION
P = Limited	J = LHD (4WD)	74=4 Dr. (101.4 WB)	ENC, EN0 = 2.5L 4 Cyl Turbo	DDD = 5 Speed Manual
S = Limited	U = RHD (4WD)	72=2 Dr. (101.4 WB)	ERH, ER0 = 4.0L Power Tech	DGS = 4 Speed Auto AISIN
H = Sport	T = LHD (2WD)			DG0 = All Automatic Trans
L = SE	B = RHD (2WD)			DBB = All Manual Trans

AR = Use as required - = Non illustrated part # = New this model year

May 2, 2002

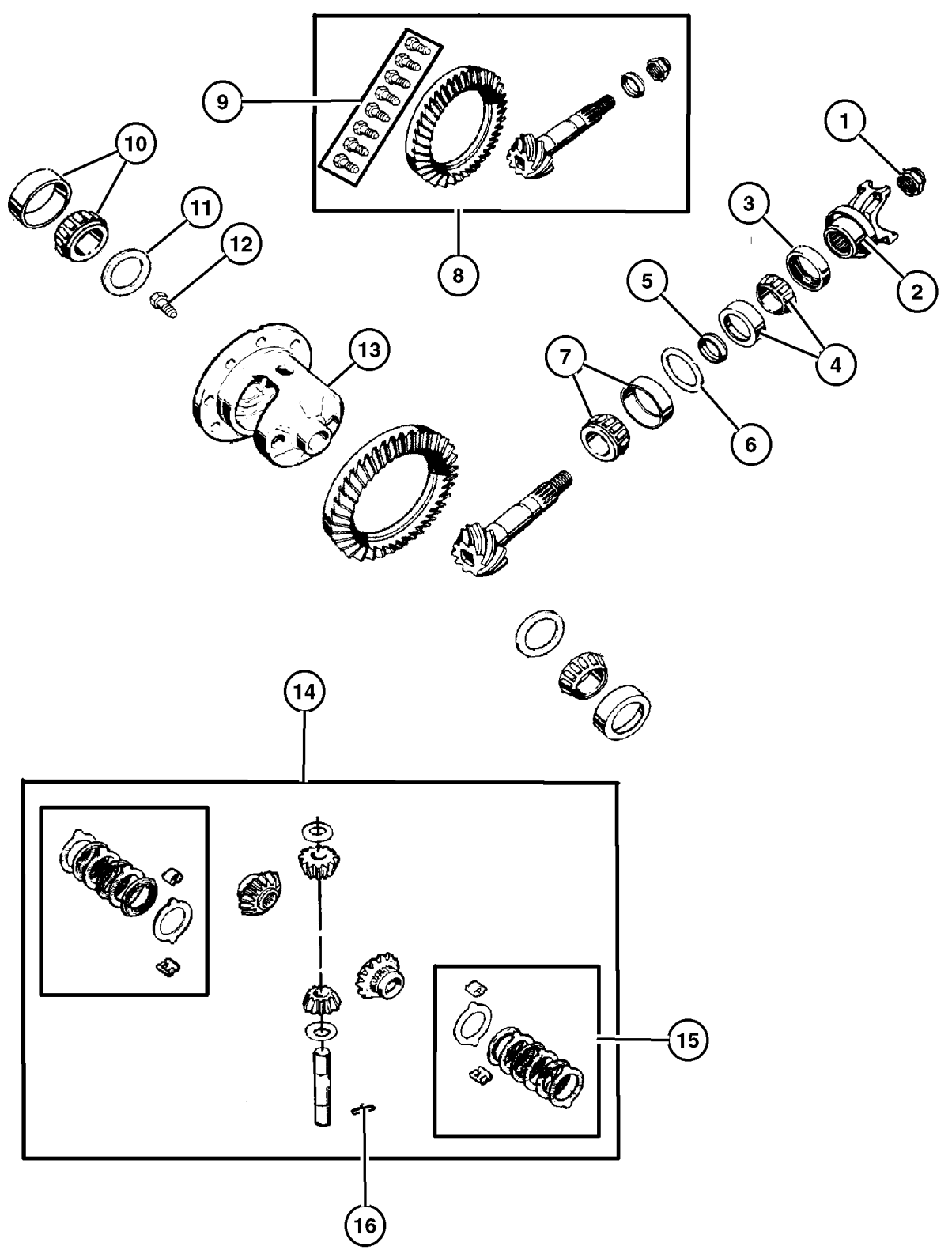
Differential, With Trac-Lok, Dana M35/194MM [DRJ] and Dana 35C/194MM [DRM]
Figure 003-240

ITEM	PART NUMBER	QTY	LINE	SERIES	BODY	DESCRIPTION
Note: Sales Codes; are on The Truck						
[DMD]=Axle Ratio - 3.55 are on The Truck						
[DME]=Axle Ratio - 3.73 are on The Truck						
[DMM]=Axle Ratio - 3.07 are on The Truck						
[DRJ]=Axle - Rear, Dana M35/194MM are on The Truck						
[DRM]=Axle - Rear, Dana 35C/194MM are on The Truck						
1	4720 895	1				NUT, Pinion Yoke
2						YOKE, Axle
	4797 552	1				[DMD]
	4746 835	1				[DME, DMM]
3	8350 4946	1				SEAL, Drive Pinion
4	5252 508	1				BEARING, Drive Pinion, Bearing and Cup, Front
5	J317 5779	1				SPACER, Drive Pinion Bearing, Crush
6	4720 922	1				SHIM KIT, Pinion Shaft
7	5252 507	1				BEARING, Drive Pinion, Bearing and Cup, Rear
8						GEAR KIT, Ring And Pinion
	8350 5472	1				[DMM]-Up To and Including 10-01-00
	#5073 013AA	1				[DMM]-10-02-00 and After
	4761 676	1				[DMD]-Up To and Including 10-01-00
	5012 828AC	1				[DMD]-10-02-00 and After
	4761 678	1				[DME]-Up To and Including 10-01-00
	5012 807AC	1				[DME]-10-02-00 and After
9						BOLT KIT
	4720 891	1				Up To and Including 10-01-00
	5012 810AC	1				10-02-00 and After
10	J812 6500	1				BEARING, Differential, Consists of 2 Bearings and 2 Cups
11	8350 3004	1				SHIM KIT, Differential, Carrier Bearing
12	5252 503	1				SCREW, Drive Gear, Ring Gear, Mounting
13						CASE, Differential
	5252 512	1				[DMM]-Up To and Including 10-01-00
	#5073 014AA	1				[DMM]-10-02-00 and After
	5252 496	1				[DMD, DME]-Up To and Including 10-01-00
	5012 831AB	1				[DMD, DME]-10-02-00 and After
14	4773 010	1				GEAR KIT, Center Differential
15	5252 506	1				DISC AND PLATE KIT, Differential
16	5252 502	1				PIN, Differential Shaft

JEEP CHEROKEE (XJ)				
SERIES	LINE	BODY	ENGINE	TRANSMISSION
P = Limited	J = LHD (4WD)	74=4 Dr. (101.4 WB)	ENC, EN0 = 2.5L 4 Cyl Turbo	DDD = 5 Speed Manual
S = Limited	U = RHD (4WD)	72=2 Dr. (101.4 WB)	ERH, ER0 = 4.0L Power Tech	DGS = 4 Speed Auto AISIN
H = Sport	T = LHD (2WD)			DG0 = All Automatic Trans
L = SE	B = RHD (2WD)			DBB = All Manual Trans

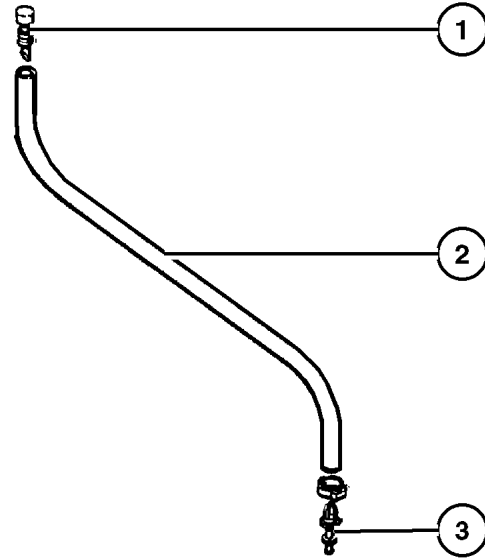
AR = Use as required - = Non illustrated part # = New this model year

May 2, 2002



Vent, Axle
Figure 003-310

ITEM	PART NUMBER	QTY	LINE	SERIES	BODY	DESCRIPTION
1	J318 7999	1				VENT, Axle, Upper
2	4443 176	1	J, U			HOSE, Fuel, .31 I.D. 50 Foot Roll
3	5206 7508	1				BOLT, Axle Vent, Lower



JEEP CHEROKEE (XJ)

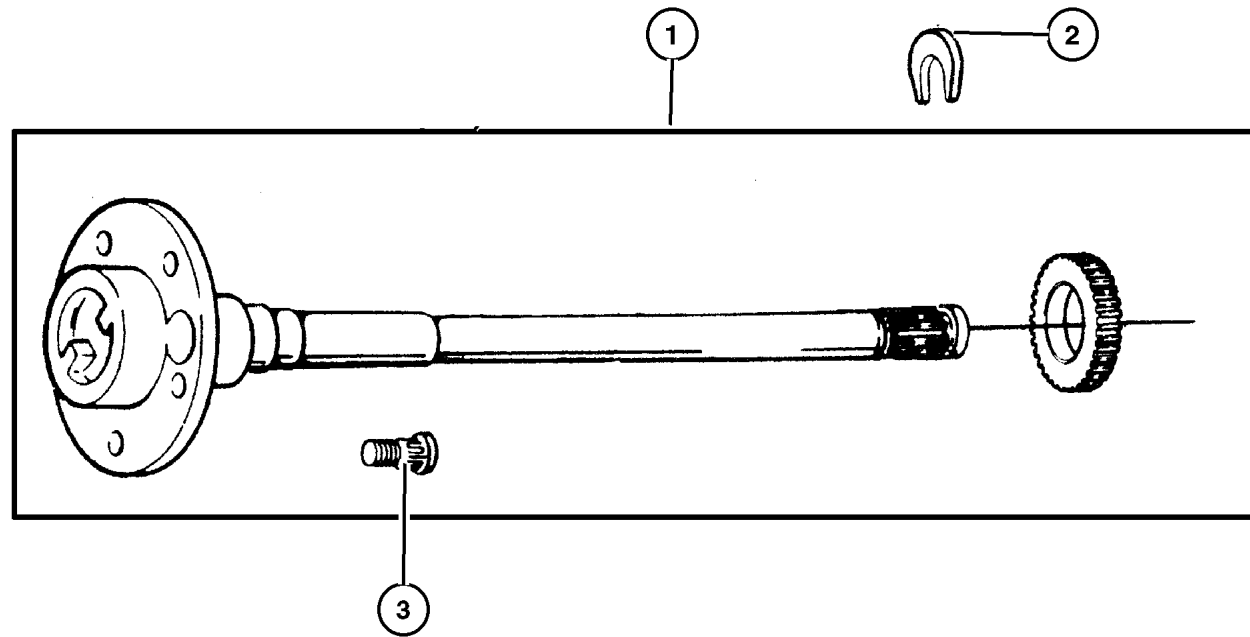
SERIES	LINE	BODY	ENGINE	TRANSMISSION
P = Limited	J = LHD (4WD)	74=4 Dr. (101.4 WB)	ENC, EN0 = 2.5L 4 Cyl Turbo	DDD = 5 Speed Manual
S = Limited	U = RHD (4WD)	72=2 Dr. (101.4 WB)	ERH, ER0 = 4.0L Power Tech	DGS = 4 Speed Auto AISIN
H = Sport	T = LHD (2WD)			DG0 = All Automatic Trans
L = SE	B = RHD (2WD)			DBB = All Manual Trans

AR = Use as required - = Non illustrated part # = New this model year

May 2, 2002

**Shaft, Rear Axle Dana Model 35
Figure 003-410**

ITEM	PART NUMBER	QTY	LINE	SERIES	BODY	DESCRIPTION
1						SHAFT, Axle
	4713 192	1				Right
	4713 193	1				Left
2	5252 505	2				RETAINER, Axle Shaft
3	5011 312AA	10				STUD, Hub



JEEP CHEROKEE (XJ)				
SERIES	LINE	BODY	ENGINE	TRANSMISSION
P = Limited	J = LHD (4WD)	74=4 Dr. (101.4 WB)	ENC, EN0 = 2.5L 4 Cyl Turbo	DDD = 5 Speed Manual
S = Limited	U = RHD (4WD)	72=2 Dr. (101.4 WB)	ERH, ER0 = 4.0L Power Tech	DGS = 4 Speed Auto AISIN
H = Sport	T = LHD (2WD)			DG0 = All Automatic Trans
L = SE	B = RHD (2WD)			DBB = All Manual Trans

AR = Use as required - = Non illustrated part # = New this model year

May 2, 2002

Group – 004

Parking Brake

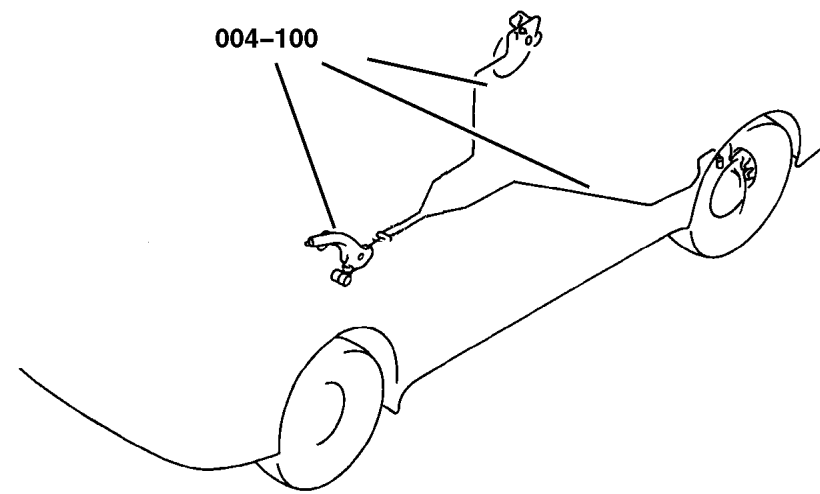
GROUP 4 - Parking Brake


Illustration Title

Group-Fig. No.

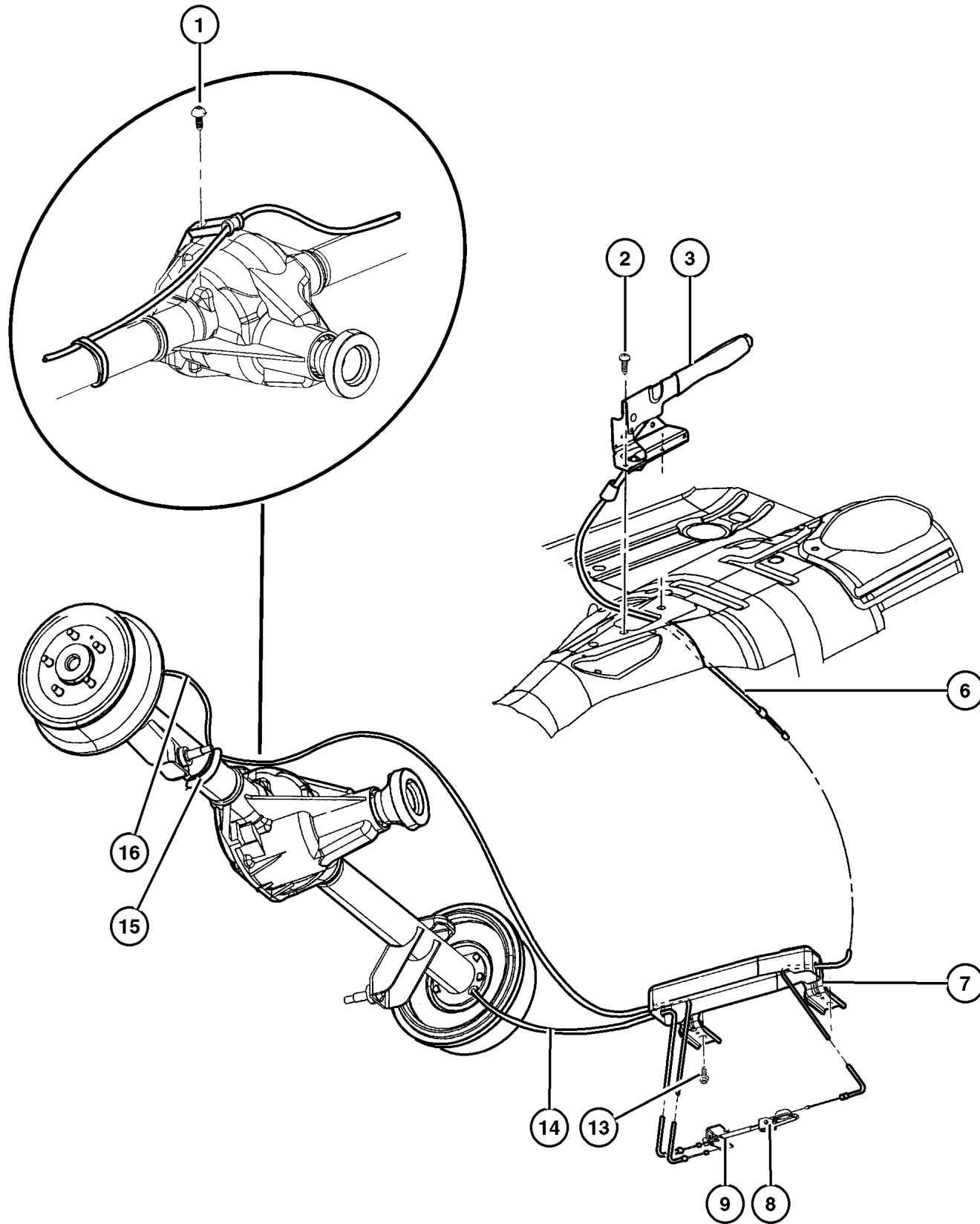
Parking Brake Lever and Cables

Lever Assembly and Cables Fig. 004-110



004-100 Parking Brake Lever and Cables			
			

Lever Assembly and Cables
Figure 004-110



ITEM	PART NUMBER	QTY	LINE	BODY	DESCRIPTION
1					SCREW AND LOCK WASHER, Hex Head, .25-20x.625, (NOT SERVICED)
2	6102 141AA	3			SCREW, M6x1x25
3	52078 943AC	1			LEVER, Park Brake
-4	5212 7960	1			SWITCH, Parking Brake
-5	5207 8012	1			CLIP, Parking Brake Cable
6	52128 164AB	1			CABLE, Parking Brake
7	5212 8172	1			BRACKET, Parking Brake
8	5212 8185	1			ADJUSTER, Parking Brake Cable
9	4423 264	1			EQUALIZER, Parking Brake Cable
-10	4423 735	1			WASHER, Teflon, ID=.380 /OD=.760/THK=.025
-11	0274 865	1			SPACER, Parking Brake
-12	6030 607	1			NUT, Hex Flange Lock, .312-18
13	6100 582	2			BOLT AND CONED WASHER, Hex Head, M8x20x20
14	5212 8073	1			CABLE, Parking Brake
15	5200 7800	1			CLIP, Brake Tube
16	52128 072AD	1			CABLE, Parking Brake
-17	52128 235AA	1			BRACKET, Brake Cable Guide

JEEP CHEROKEE (XJ)

SERIES	LINE	BODY	ENGINE	TRANSMISSION
P = Limited	J = LHD (4WD)	74=4 Dr. (101.4 WB)	ENC, EN0 = 2.5L 4 Cyl Turbo	DDD = 5 Speed Manual
S = Limited	U = RHD (4WD)	72=2 Dr. (101.4 WB)	ERH, ER0 = 4.0L Power Tech	DGS = 4 Speed Auto AISIN
H = Sport	T = LHD (2WD)			DG0 = All Automatic Trans
L = SE	B = RHD (2WD)			DBB = All Manual Trans

AR = Use as required - = Non illustrated part # = New this model year

May 2, 2002

Group – 005

Service Brakes

GROUP 5 - Service Brakes

Illustration Title

Group-Fig. No.

Front Brakes

Brakes,Front Fig. 005-110

Rear Brakes

Brakes,Rear,9 Inches X 2.5 Inches Fig. 005-210

Brakes,Rear,10 Inches-Police Package (AHB) Fig. 005-220

Power Brake Booster

Master Cylinder and Booster Fig. 005-310

Power Brake Vacuum Booster Hose Fig. 005-320

Brake Master Cylinder

Hydraulic Control Unit Fig. 005-410

Brake Lines and Hoses

Brake Lines,Front,LHD Without Anti-Lock Brakes Fig. 005-510

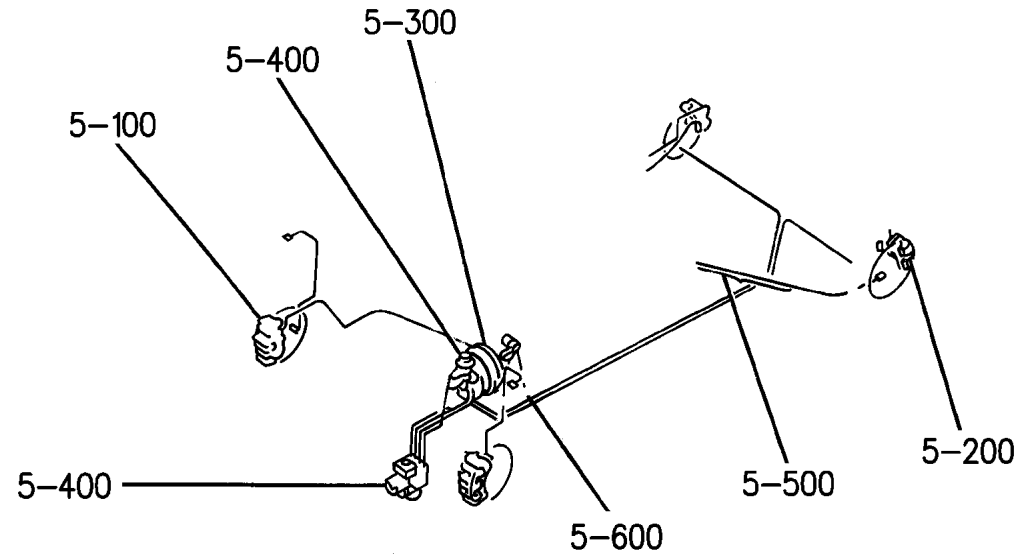
Brake Lines,Front,RHD,Without Anti-Lock Brakes Fig. 005-520

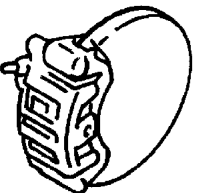
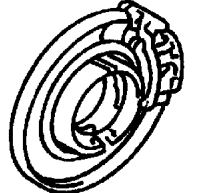
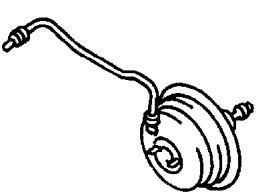
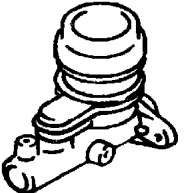
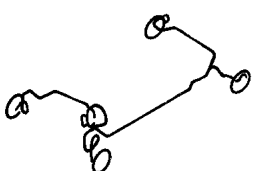

Brake Lines, Front,LHD,RHD,With Anti-Lock Brakes Fig. 005-530

Brake Lines and Hoses, Rear Fig. 005-540

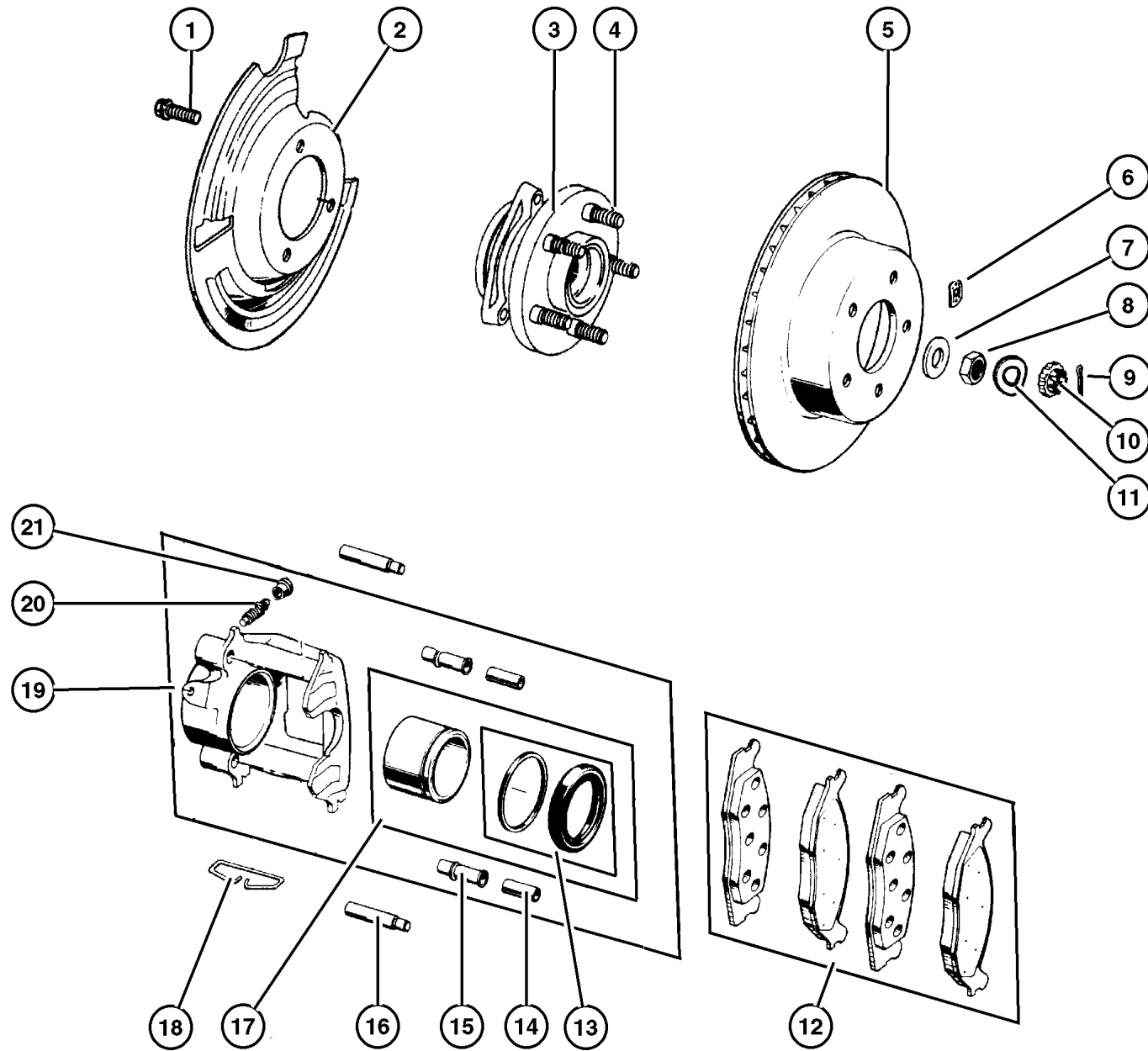
Brake Pedals

Brake Pedal Fig. 005-610



<p>005-100 Front Brakes</p> 	<p>005-200 Rear Brakes</p> 	<p>005-300 Power Brake Booster</p> 	<p>005-400 Brake Master Cylinder</p> 
<p>005-500 Brake Lines and Hoses</p> 	<p>005-600 Brake Pedals</p> 		

**Brakes,Front
Figure 005-110**



ITEM	PART NUMBER	QTY	LINE	BODY	DESCRIPTION
1	3420 1535	6	J		BOLT
		6	B	74	Knuckle to Hub and Bearing Mounting
		6	T		
		6	U		
2	5200 5476	1	B	74	SHIELD, Brake
		1	B	74	Right
		1	B	74	Left
		1	J		Right
		1	J		Left
		1	T		Right
		1	T		Left
		1	U		Right
3	53007 449AC	2	B	74	HUB AND BEARING, Brake
		2	J		
		2	T		
		2	U		
4	6036 194AA	10	B	74	STUD, Hub
		10	J		
		10	T		
		10	U		
5	52008 440AB	2	B	74	ROTOR, Brake
		2	J		
		2	T		
		2	U		
6	6026 430	AR			SPRING RETAINER, Push On, .50x20
7	J420 0096	2	B	74	WASHER, Flat
		2	J		
		2	T		
		2	U		
8	J420 0095	2	B	74	NUT, Hex
		2	J		
		2	T		
		2	U		
9	1101 0069	1	B	74	PIN, Cotter, M4x40.00

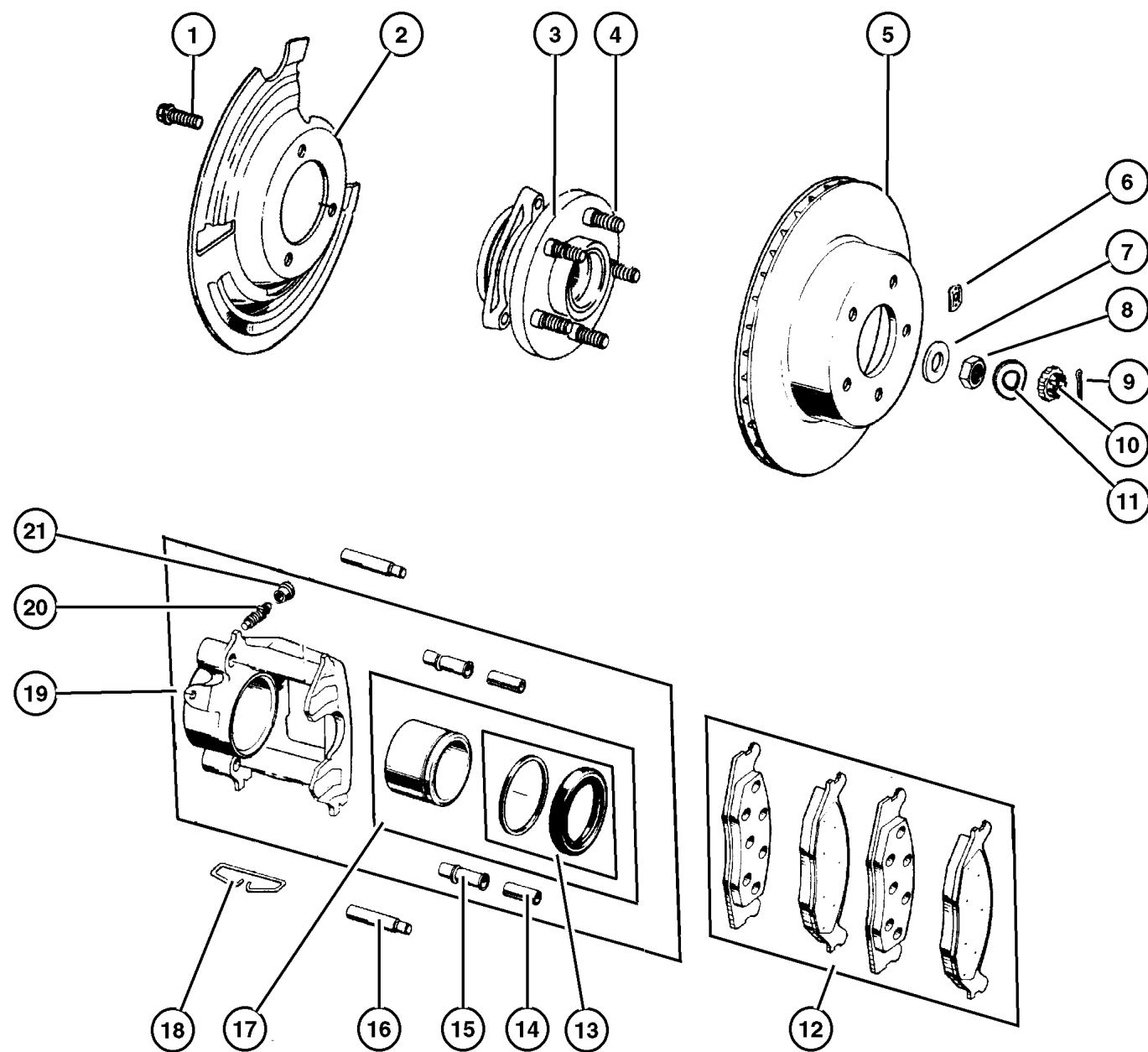
JEEP CHEROKEE (XJ)

SERIES	LINE	BODY	ENGINE	TRANSMISSION
P = Limited	J = LHD (4WD)	74=4 Dr. (101.4 WB)	ENC, EN0 = 2.5L 4 Cyl Turbo	DDD = 5 Speed Manual
S = Limited	U = RHD (4WD)	72=2 Dr. (101.4 WB)	ERH, ER0 = 4.0L Power Tech	DGS = 4 Speed Auto AISIN
H = Sport	T = LHD (2WD)			DG0 = All Automatic Trans
L = SE	B = RHD (2WD)			DBB = All Manual Trans

AR = Use as required - = Non illustrated part # = New this model year

May 2, 2002

Brakes, Front Figure 005-110



ITEM	PART NUMBER	QTY	LINE	BODY	DESCRIPTION
		2	J		
		2	T		
		2	U		
10	J420 0097	2	B	74	RETAINER, Hub Nut
		2	J		
		2	T		
		2	U		
11	4740 749	2	B	74	WASHER, Wave
		2	J		
		2	T		
		2	U		
12	4883 344AD	1	B	74	PAD KIT, Front Disc Brake
	4778 058AB	1	J		
		1	T		
		1	U		
13	J813 3852	1	B	74	BOOT AND SEAL, Disc Brake
		1	J		
		1	T		
		1	U		
14	4383 471	2	B	74	BUSHING, Disc Brake Caliper
		2	J		
		2	T		
		2	U		
15	4423 573	2	B	74	SLEEVE, Disc Brake Caliper
		2	J		
		2	T		
		2	U		
16	5253 000	4	B	74	PIN, Caliper
		4	J		
		4	T		
		4	U		
17	5252 614	1	B	74	PISTON, Brake
		1	J		
		1	T		

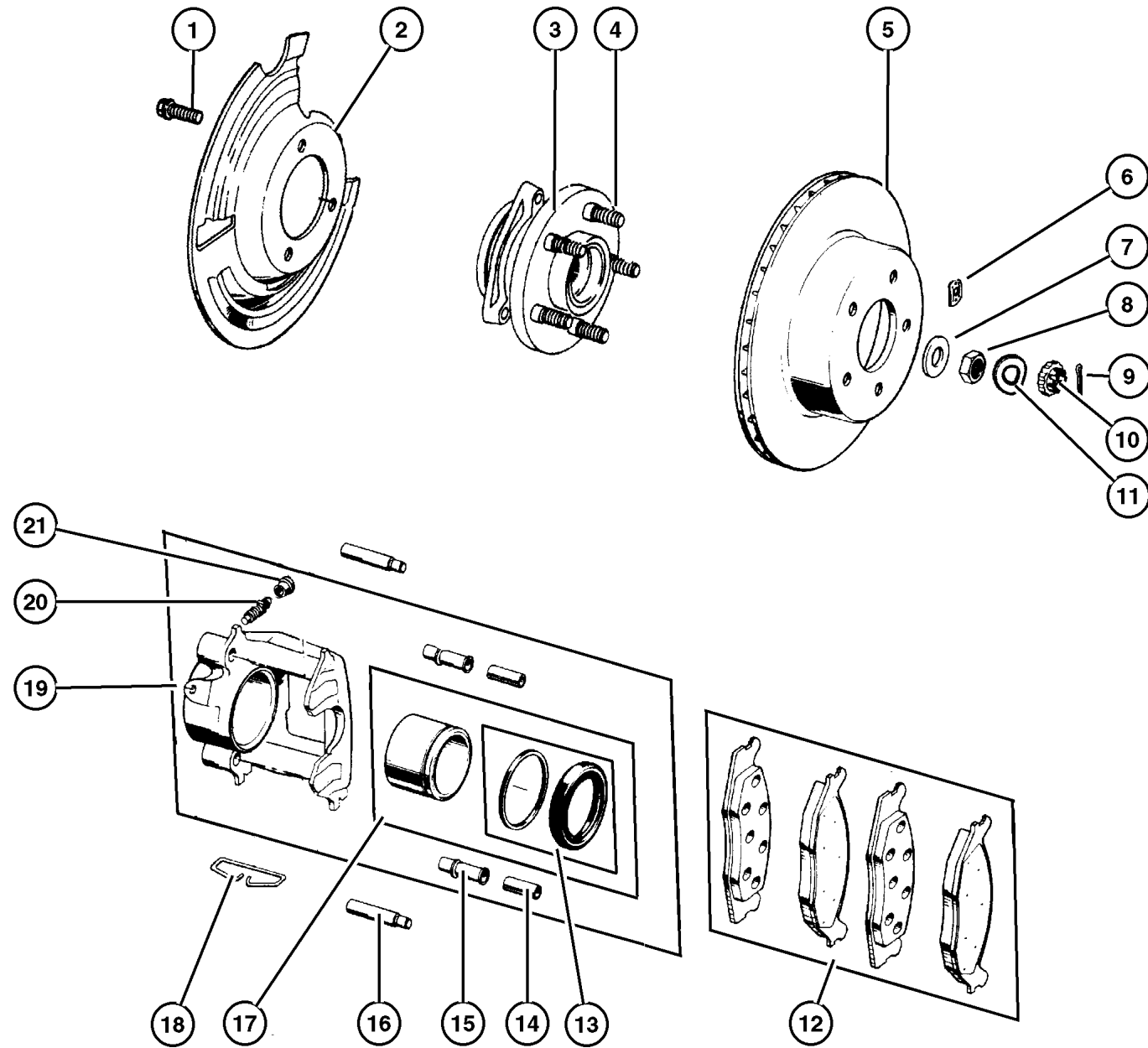
JEEP CHEROKEE (XJ)

SERIES	LINE	BODY	ENGINE	TRANSMISSION
P = Limited	J = LHD (4WD)	74=4 Dr. (101.4 WB)	ENC, EN0 = 2.5L 4 Cyl Turbo	DDD = 5 Speed Manual
S = Limited	U = RHD (4WD)	72=2 Dr. (101.4 WB)	ERH, ER0 = 4.0L Power Tech	DGS = 4 Speed Auto AISIN
H = Sport	T = LHD (2WD)			DG0 = All Automatic Trans
L = SE	B = RHD (2WD)			DBB = All Manual Trans

AR = Use as required - = Non illustrated part # = New this model year

May 2, 2002

**Brakes,Front
Figure 005-110**



ITEM	PART NUMBER	QTY	LINE	BODY	DESCRIPTION
		1	U		
18	J323 9865	2	B	74	CLIP, Brake Caliper
		2	J		
		2	T		
		2	U		
19					CALIPER, Disc Brake
	5252 984	1	B	74	Right
	5252 985	1	B	74	Left
	5252 984	1	J		Right
	5252 985	1	J		Left
	5252 984	1	T		Right
	5252 985	1	T		Left
	5252 984	1	U		Right
	5252 985	1	U		Left
20					SCREW, Bleeder
	J320 3313	1	B	74	
		1	J		
		1	T		
		1	U		
21					CAP, Bleeder
	4238 717	1	B	74	
		1	J		
		1	T		
		1	U		

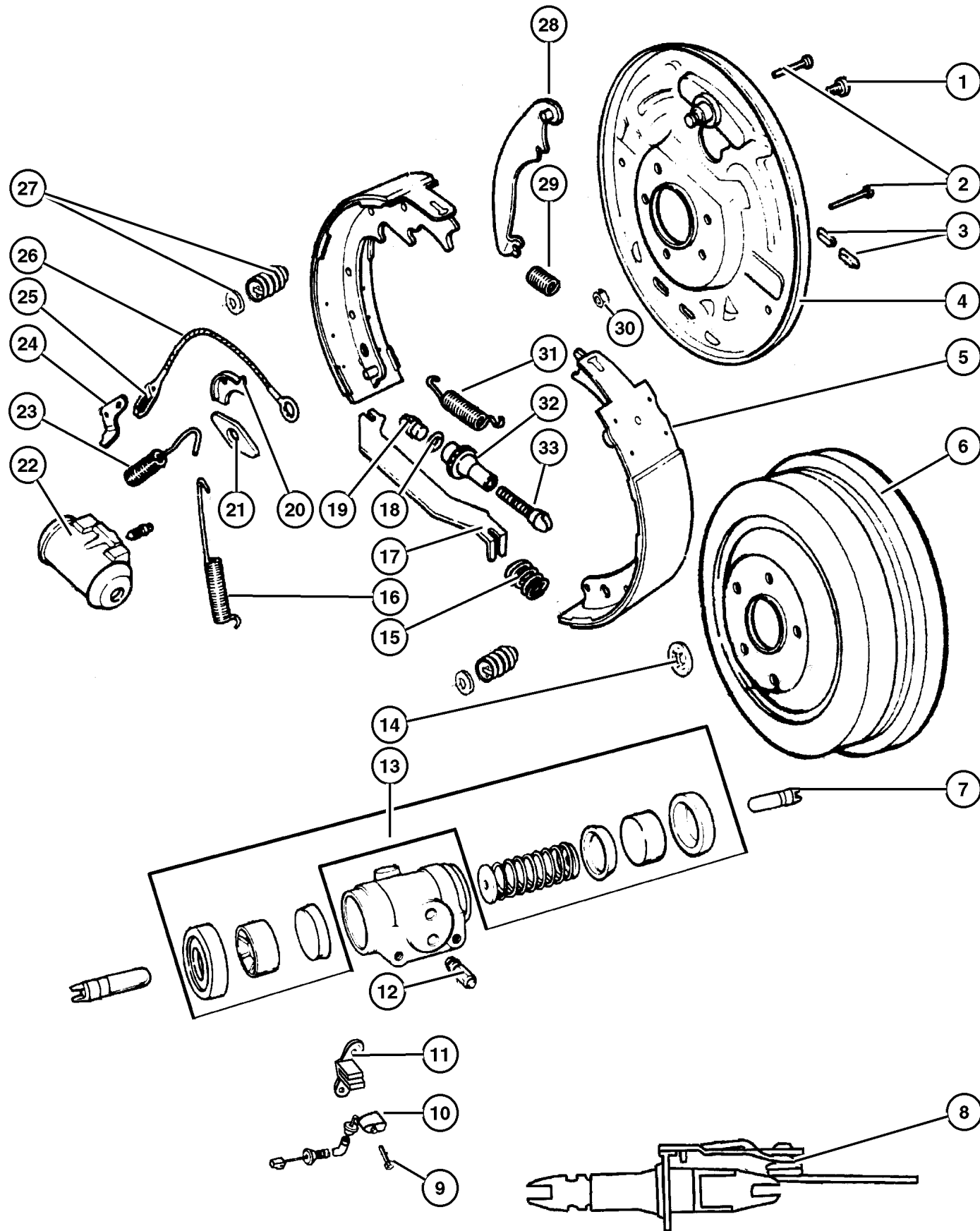
JEEP CHEROKEE (XJ)

SERIES	LINE	BODY	ENGINE	TRANSMISSION
P = Limited	J = LHD (4WD)	74=4 Dr. (101.4 WB)	ENC, EN0 = 2.5L 4 Cyl Turbo	DDD = 5 Speed Manual
S = Limited	U = RHD (4WD)	72=2 Dr. (101.4 WB)	ERH, ER0 = 4.0L Power Tech	DGS = 4 Speed Auto AISIN
H = Sport	T = LHD (2WD)			DG0 = All Automatic Trans
L = SE	B = RHD (2WD)			DBB = All Manual Trans

AR = Use as required - = Non illustrated part # = New this model year

May 2, 2002

**Brakes,Rear,9 Inches X 2.5 Inches
Figure 005-210**



ITEM	PART NUMBER	QTY	LINE	BODY	DESCRIPTION
Note: BGA=Front Disc;/Rear Drum---BGK=Antilock Brakes are on The Truck					
1	6028 921	2			BOLT, Hex Head, Wheel Cylinder Mounting
2	2260 548	2			PIN, Brake Shoe Hold Down
3	4238 721	1			PLUG, Brake Adjusting Hole
4					PLATE, Brake Backing
	4856 718AB	1			[BGK], Right
	4856 719AB	1			[BGK], Left
	5017 760AA	1			[BGA], Right
	5017 761AA	1			[BGA], Left
5	5019 536AA	1			SHOE AND LINING KIT, drum
6	5200 5350	2			DRUM, Brake
7					LINK, Brake, Purchase Wheel Cylinder , (NOT SERVICED)
8					SPRING, Brake Auto Adjuster Lever
	2944 580	1			Right
	2944 581	1			Left
9	8350 4920	2			BOLT
10					SENSOR, Anti-Lock Brakes
	5200 5932	1			Right
	5200 5933	1			Left
11					BRACKET, Brake Sensor
	5200 7804	1			Right
	5200 7805	1			Left
12	3766 674	1			SCREW, Bleeder
13	5252 630	1			REPAIR KIT, Wheel Cylinder
14	J400 6185	4			NUT, Push, .25, Brake Drum Retainer
15					SPRING, Parking Brake Strut, Purchase Strut, (NOT SERVICED)
16	2881 676	2			SPRING, Brake Shoe Return
17	4713 590	1			STRUT, Parking Brake
18	6027 559	1			WASHER, Adjuster Button
19	2944 586	1			BUTTON, Rear Brake Auto Adjust
20	2260 793	1			GUIDE, Brake Adjusting Cable
21	4313 075	1			PLATE, Brake Shoe Guide
22	4423 601	1			CYLINDER, Wheel
23	2881 676	1			SPRING, Brake Shoe Return
24	4761 759	1			LEVER, Park Brake Adjusting
25	3461 660	1			SPRING, Adjuster Cable
26	3461 662	1			CABLE, Brake Automatic Adjuster
27	4313 062	1			SPRING, Brake Shoe Hold Down
28					LEVER, Park Brake
	4313 810	1			Right
	4313 811	1			Left
29					SPRING, Brake Auto Adjuster Lever

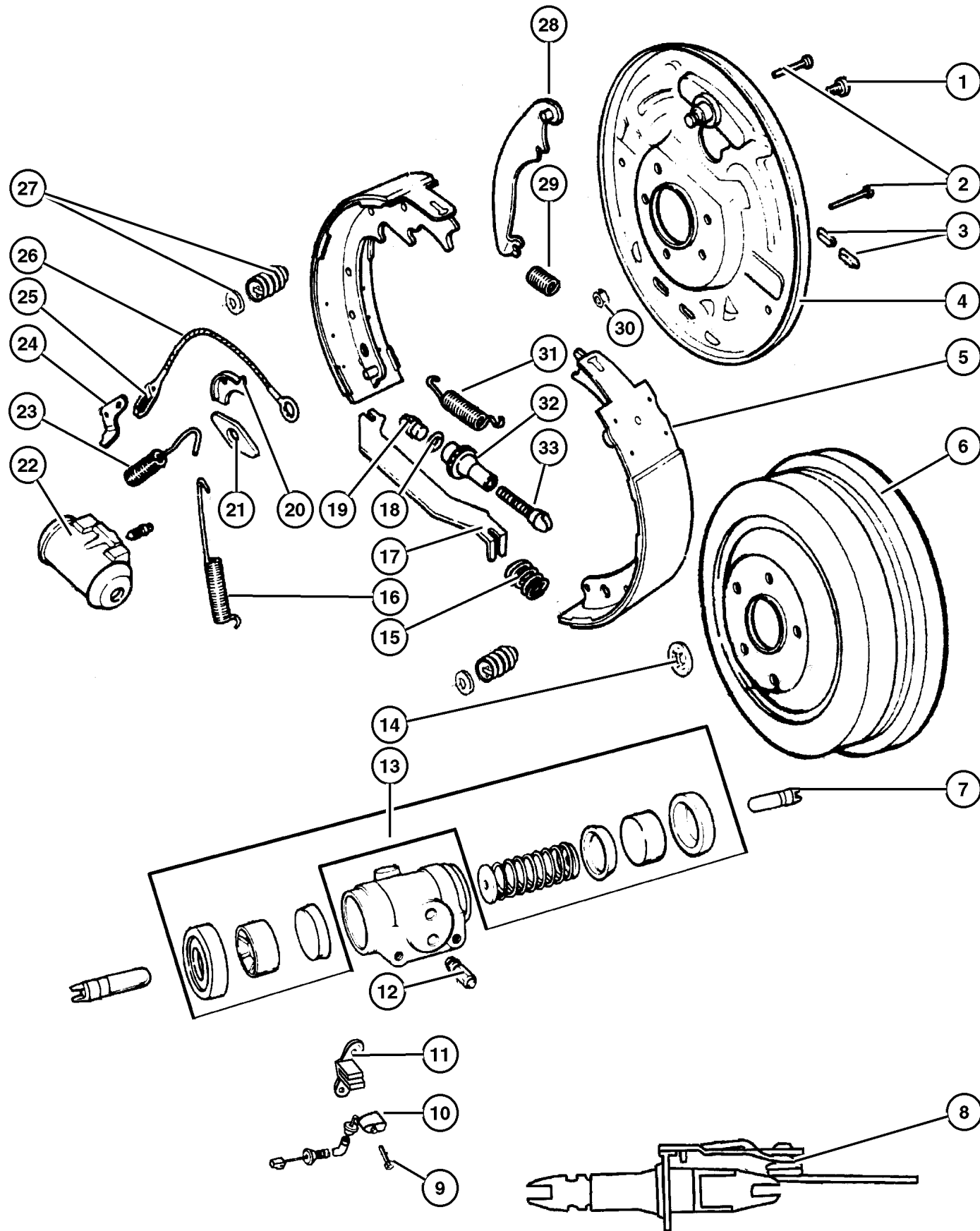
JEEP CHEROKEE (XJ)

SERIES	LINE	BODY	ENGINE	TRANSMISSION
P = Limited	J = LHD (4WD)	74=4 Dr. (101.4 WB)	ENC, EN0 = 2.5L 4 Cyl Turbo	DDD = 5 Speed Manual
S = Limited	U = RHD (4WD)	72=2 Dr. (101.4 WB)	ERH, ER0 = 4.0L Power Tech	DGS = 4 Speed Auto AISIN
H = Sport	T = LHD (2WD)			DG0 = All Automatic Trans
L = SE	B = RHD (2WD)			DBB = All Manual Trans

AR = Use as required - = Non illustrated part # = New this model year

May 2, 2002

**Brakes,Rear,9 Inches X 2.5 Inches
Figure 005-210**



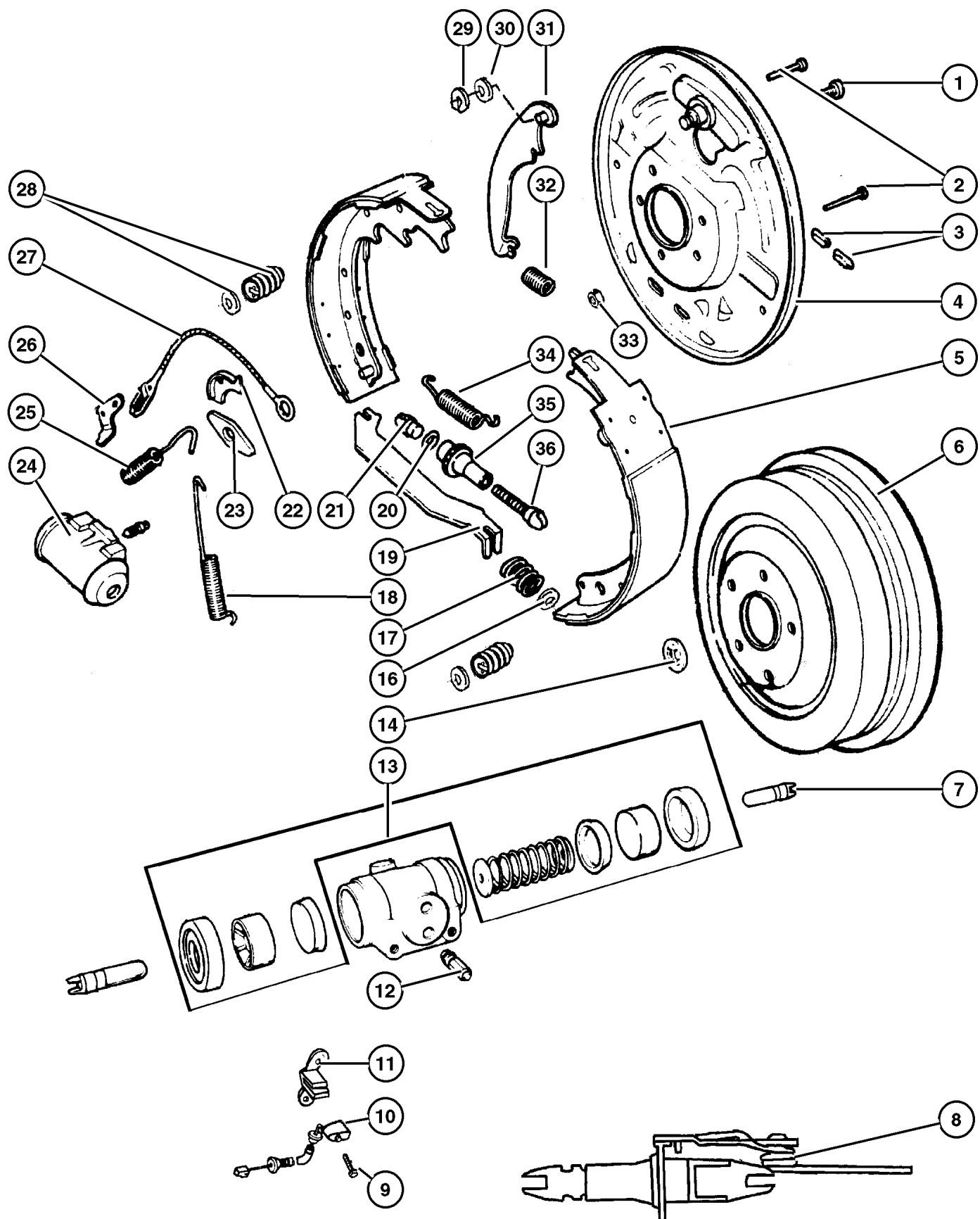
ITEM	PART NUMBER	QTY	LINE	BODY	DESCRIPTION
	2944 580	1		Right	
	2944 581	1		Left	
30	0152 345	8			NUT, Hex Flange Lock, Backing Plate Attaching
31	4423 085	1			SPRING, Brake Shoe to Shoe
32					NUT, Rear Brake Auto Adjust Pivot
	2944 692	1		Right	
	2944 693	1		Left	
33					SCREW, Brake Adjusting
	4423 898	1		Right	
	4423 899	1		Left	

JEEP CHEROKEE (XJ)				
SERIES	LINE	BODY	ENGINE	TRANSMISSION
P = Limited	J = LHD (4WD)	74=4 Dr. (101.4 WB)	ENC, EN0 = 2.5L 4 Cyl Turbo	DDD = 5 Speed Manual
S = Limited	U = RHD (4WD)	72=2 Dr. (101.4 WB)	ERH, ER0 = 4.0L Power Tech	DGS = 4 Speed Auto AISIN
H = Sport	T = LHD (2WD)			DG0 = All Automatic Trans
L = SE	B = RHD (2WD)			DBB = All Manual Trans

AR = Use as required - = Non illustrated part # = New this model year

May 2, 2002

**Brakes,Rear,10 Inches-Police Package (AHB)
Figure 005-220**



ITEM	PART NUMBER	QTY	LINE	BODY	DESCRIPTION
1	6028 921	2			BOLT, Hex Head, Wheel Cylinder Mounting
2	4746 783	2			PIN, Brake Shoe Hold Down
3	3200 0147	2			PLUG, Brake Adjusting Hole
4	4773 490	1			PLATE, Brake Backing Right
	4773 491	1			Left
5	4796 310	1			SHOE AND LINING KIT, drum
6	5200 7502	2			DRUM, Brake
7	J004 8331	2			LINK, Brake Cylinder
8	4746 582	1			SPRING, Auto Adjusting Right
	4746 583	1			Left
9	8350 4920	2	J		BOLT, ABS Sensor Mounting
10	5200 5932	1			SENSOR, Anti-Lock Brakes Right
	5200 5933	1			Left
11	5200 7804	1			BRACKET, Brake Sensor Right
	5200 7805	1			Left
12	J320 3313	1			SCREW, Bleeder
13	8350 0987	1			REPAIR KIT, Wheel Cylinder
14	J400 6185	4			NUT, Push, .25, Brake Drum Retainer
-15	4773 762	1			CLIP, Park Brake Strut
16	4713 364	1			WASHER
17	8350 4918	2			SPRING, Parking Brake Strut
18	J311 2780	2			SPRING, Brake Shoe Return
19	4713 366	1			STRUT, Parking Brake Right
	4713 367	1			Left
20	4746 585	1			WASHER, Rear Brake Adjuster
21	4746 586	1			SOCKET, Brake Adjusting
22	J320 1947	1			GUIDE, Brake Adjusting Cable
23	2260 788	1			PLATE, Brake Shoe Guide
24	5200 0848	1			CYLINDER, Wheel Right
	5200 0849	1			Left
25	J311 2780	2			SPRING, Brake Shoe Return
26	4728 546	1			LEVER, Park Brake Adjusting Right
	4728 547	1			Left
27	4713 350	1			CABLE, Brake Automatic Adjuster
28	4746 782	2			SPRING, Brake Shoe Hold Down
29	J310 8202	1			RETAINER, Parking Brake Lever

JEEP CHEROKEE (XJ)

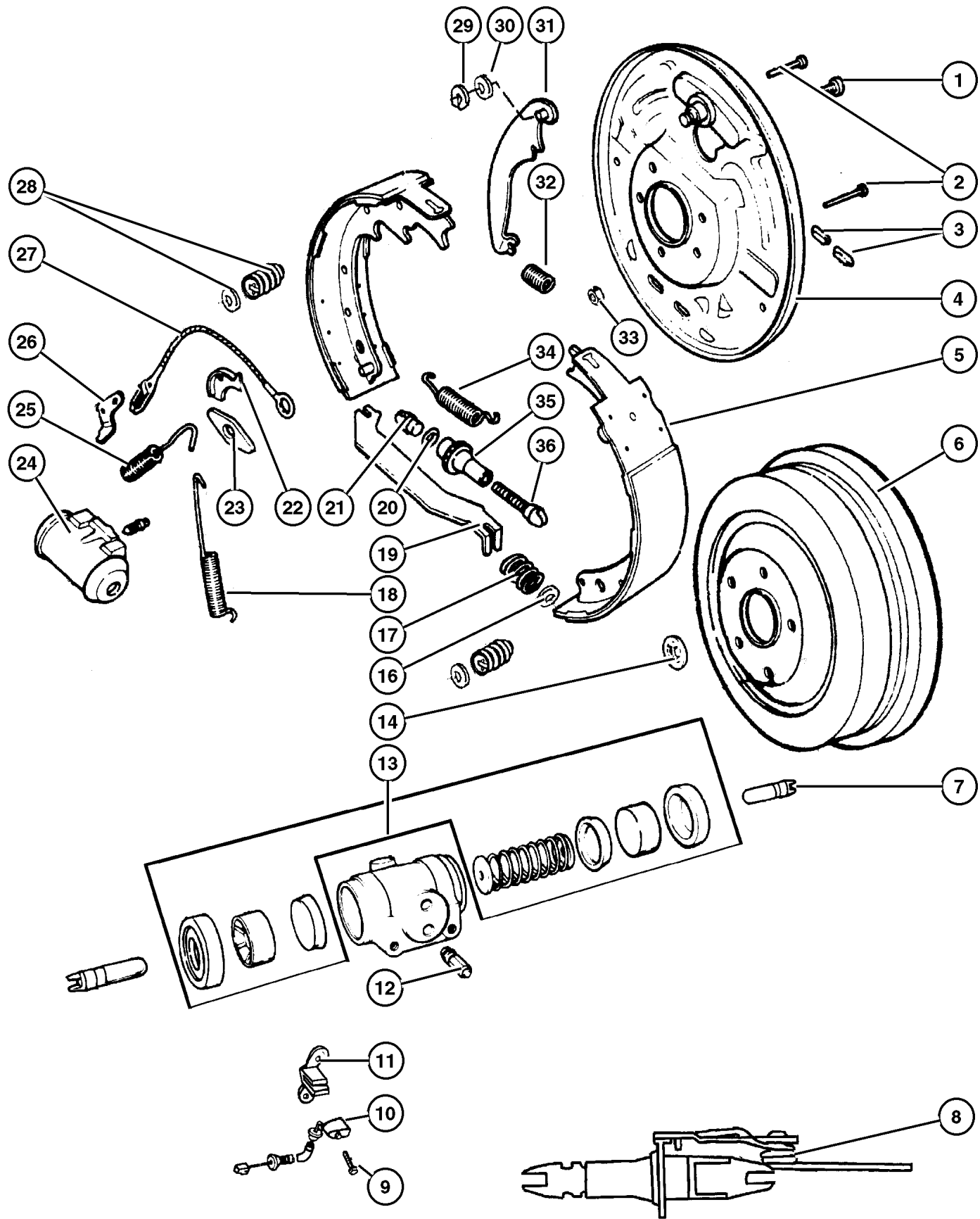
SERIES	LINE	BODY	ENGINE	TRANSMISSION
P = Limited	J = LHD (4WD)	74=4 Dr. (101.4 WB)	ENC, EN0 = 2.5L 4 Cyl Turbo	DDD = 5 Speed Manual
S = Limited	U = RHD (4WD)	72=2 Dr. (101.4 WB)	ERH, ER0 = 4.0L Power Tech	DGS = 4 Speed Auto AISIN
H = Sport	T = LHD (2WD)			DG0 = All Automatic Trans
L = SE	B = RHD (2WD)			DBB = All Manual Trans

AR = Use as required - = Non illustrated part # = New this model year

May 2, 2002

Brakes,Rear,10 Inches-Police Package (AHB)

Figure 005-220



ITEM	PART NUMBER	QTY	LINE	BODY	DESCRIPTION
30	8350 2900	1			WASHER, Parking Brake Lever
31					LEVER, Park Brake
	4713 362	1			Right
	4713 363	1			Left
32					SPRING, Auto Adjusting
	4746 582	1			Right
	4746 583	1			Left
33	J941 1783	8			NUT, Hex Flange Lock, Backing Plate Attaching
34	4746 588	1			SPRING, Brake Shoe to Shoe
35					NUT, Rear Brake Auto Adjust Pivot
	2944 692	1			Right
	2944 693	1			Left
36					SCREW, Brake Adjusting
	2881 686	1			Right
	2881 687	1			Left

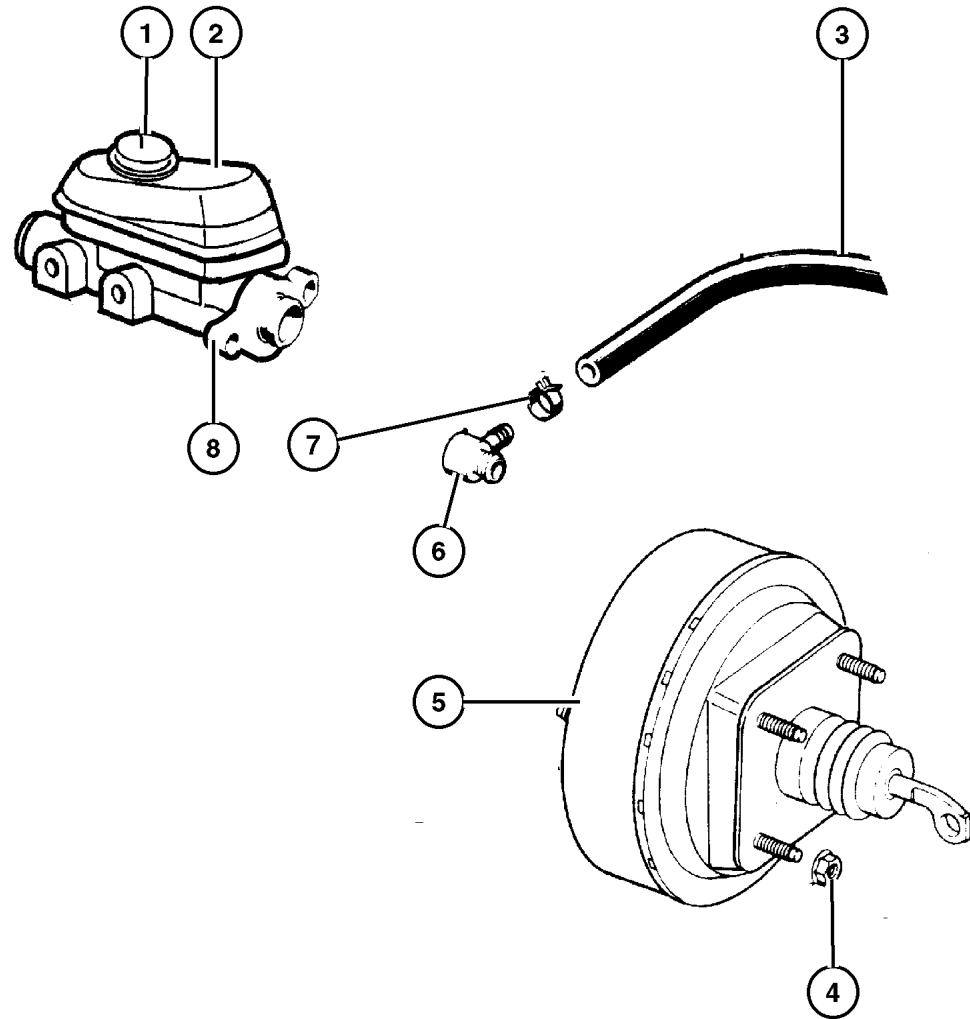
JEEP CHEROKEE (XJ)

SERIES	LINE	BODY	ENGINE	TRANSMISSION
P = Limited	J = LHD (4WD)	74=4 Dr. (101.4 WB)	ENC, EN0 = 2.5L 4 Cyl Turbo	DDD = 5 Speed Manual
S = Limited	U = RHD (4WD)	72=2 Dr. (101.4 WB)	ERH, ER0 = 4.0L Power Tech	DGS = 4 Speed Auto AISIN
H = Sport	T = LHD (2WD)			DG0 = All Automatic Trans
L = SE	B = RHD (2WD)			DBB = All Manual Trans

AR = Use as required - = Non illustrated part # = New this model year

May 2, 2002

**Master Cylinder and Booster
Figure 005-310**



ITEM	PART NUMBER	QTY	LINE	BODY	DESCRIPTION
------	-------------	-----	------	------	-------------

Note:EP0= 2.5L Gas Engine, ERO= 4.0L Gas Engine, ENC 2.5L Diesel Engine are on The Truck

1	4761 944	1			CAP, Master Cylinder Reservoir [ENC] [EP0,ER0]
2	4761 942	1			RESERVOIR, Brake Master Cylinder [ENC] [EP0,ER0]
3	5212 8232	1	J, T		HOSE, Vacuum Supply w/ ENC
	5200 9407	1	J, T		w/ EP0
	5200 8761	1	B, U		w/ EP0
	5212 8003	1	J, T		w/ ER0
	52128 290AA	1	B, U		w/ ER0
4	5017 194AA	2			NUT [ENC] Master Cylinder to Booster Mounting [EP0,ER0] Master Cylinder to Booster Mounting
5	4856 673AB	1			BOOSTER, Power Brake [ENC]
	4856 672AB	1			[EP0,ER0]
6	4798 873	1			VALVE, Vacuum Check [ENC]
	J448 7455	1			[EP0,ER0]
7	2448 770	2			CLAMP, Hose [ENC,EP0] [ER0]
		2	J, T		
8	4761 941	1			MASTER CYLINDER, Brake [ENC] [EP0,ER0]
		1			

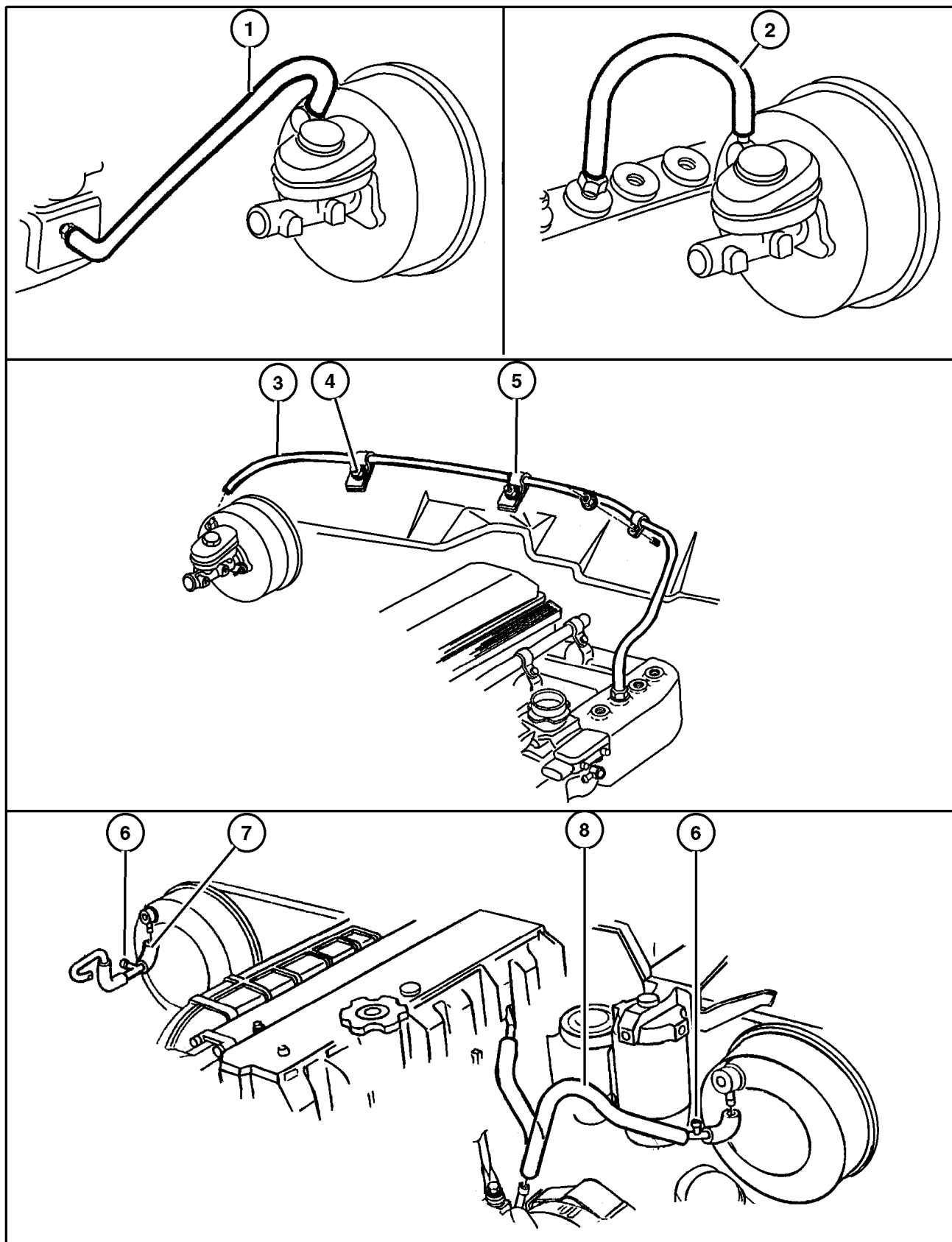
JEEP CHEROKEE (XJ)

SERIES	LINE	BODY	ENGINE	TRANSMISSION
P = Limited	J = LHD (4WD)	74=4 Dr. (101.4 WB)	ENC, EN0 = 2.5L 4 Cyl Turbo	DDD = 5 Speed Manual
S = Limited	U = RHD (4WD)	72=2 Dr. (101.4 WB)	ERH, ER0 = 4.0L Power Tech	DGS = 4 Speed Auto AISIN
H = Sport	T = LHD (2WD)			DG0 = All Automatic Trans
L = SE	B = RHD (2WD)			DBB = All Manual Trans

AR = Use as required - = Non illustrated part # = New this model year

May 2, 2002

**Power Brake Vacuum Booster Hose
Figure 005-320**



ITEM	PART NUMBER	QTY	LINE	BODY	DESCRIPTION
Note: Sales Codes: are on The Truck					
EN0 = All Turbo Diesel Engines are on The Truck					
EP0 = All 2.5L 4 Cyl Gas Engines are on The Truck					
ER0 = All 4.0L 6 Cyl Gas Engines are on The Truck					
1	5200 9407	1	J, T		HOSE, Vacuum Supply
2	5212 8003	1	J, T		HOSE, Vacuum Supply
3	52128 290AA	1	B, U		HOSE, Vacuum Supply [ER0]
	5200 8761	1	B, U		[EP0]
4	6100 839	2			NUT, Push, M5
5					CLIP, (NOT SERVICED)
6					TEE, Brake Vacuum
	4343 852	1	J, T		
		1	B, U		
7	3879 277	1	J, T		HOSE, Brake Vacuum
8					HOSE, Vacuum Supply
	5212 8232	1	J, T		
	52128 290AA	1	B, U		

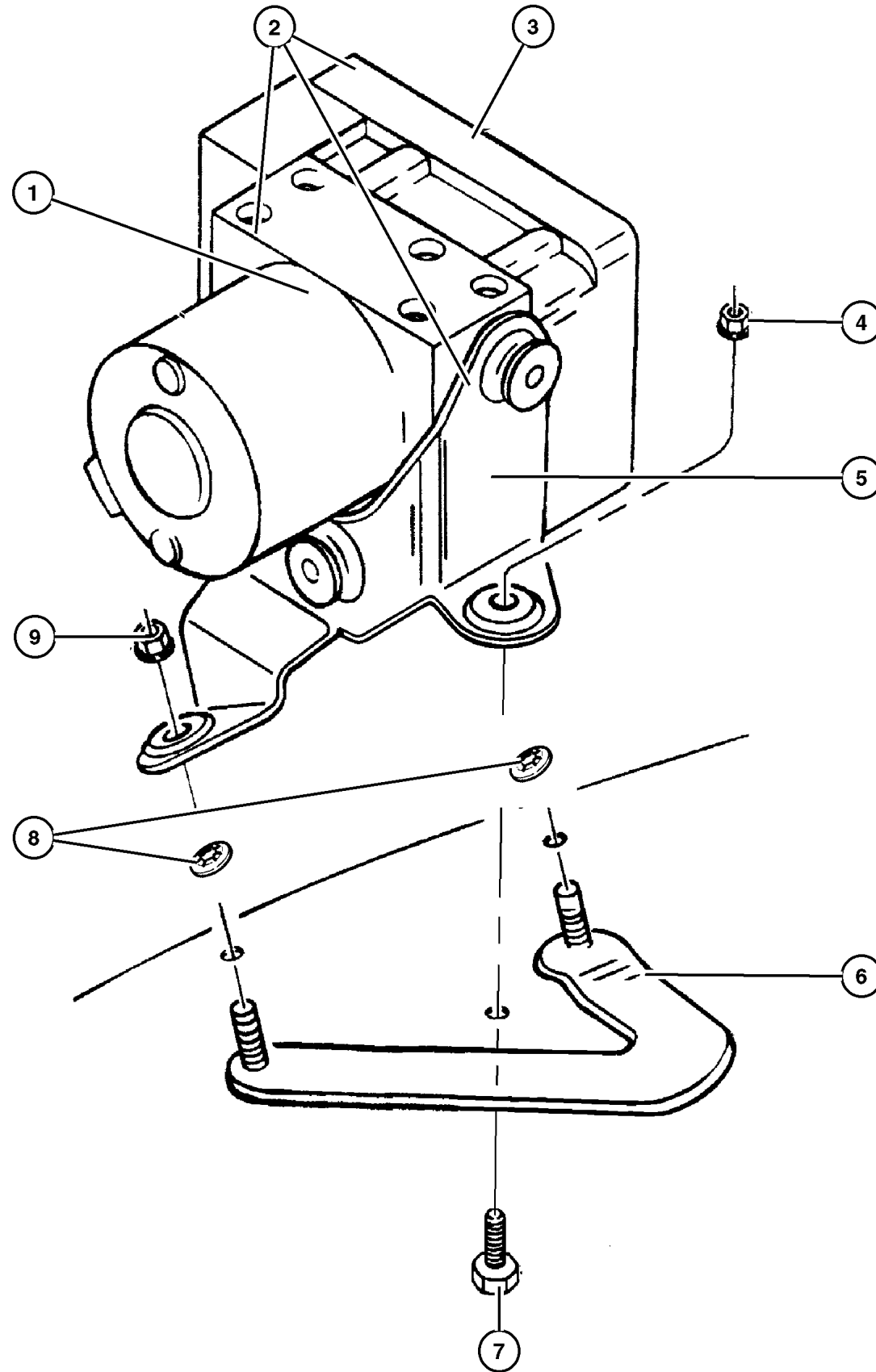
JEEP CHEROKEE (XJ)

SERIES	LINE	BODY	ENGINE	TRANSMISSION
P = Limited	J = LHD (4WD)	74=4 Dr. (101.4 WB)	ENC, EN0 = 2.5L 4 Cyl Turbo	DDD = 5 Speed Manual
S = Limited	U = RHD (4WD)	72=2 Dr. (101.4 WB)	ERH, ER0 = 4.0L Power Tech	DGS = 4 Speed Auto AISIN
H = Sport	T = LHD (2WD)			DG0 = All Automatic Trans
L = SE	B = RHD (2WD)			DBB = All Manual Trans

AR = Use as required - = Non illustrated part # = New this model year

May 2, 2002

**Hydraulic Control Unit
Figure 005-410**



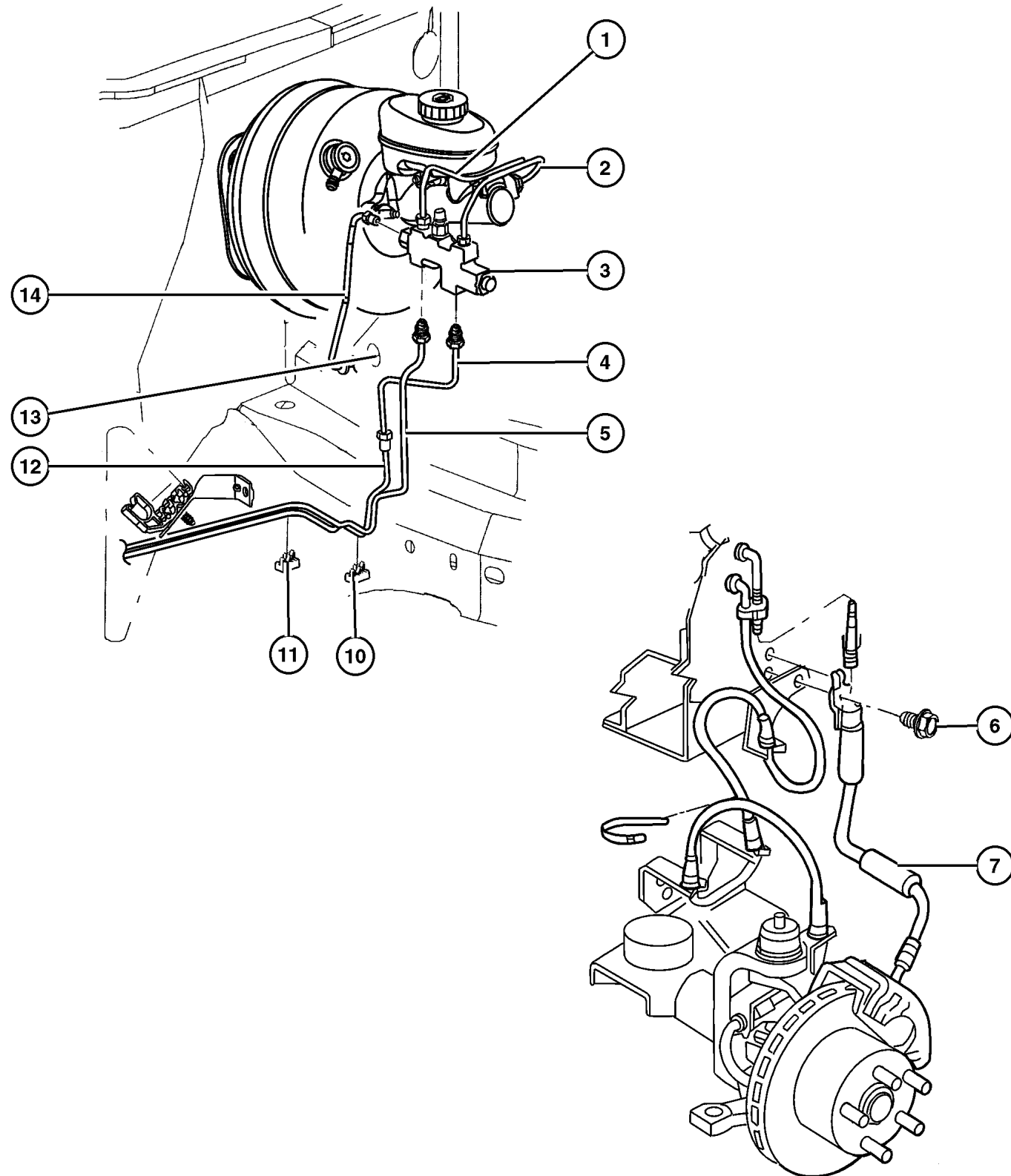
ITEM	PART NUMBER	QTY	LINE	BODY	DESCRIPTION
1	#5073 778AA	1			CONTROL UNIT, Anti-Lock Brake
2	#52128 138AE	1			CONTROL UNIT, Anti-Lock Brake, Complete Assembly with Items 1,3,5
3	#5073 784AA	1			MODULE, Anti-lock Brakes
4	6503 445	1			NUT
5	#5073 787AA	1			BRACKET, Hydraulic Control Unit
6	5200 8230	1			STUD PLATE, Hydraulic Control Unit
7	6101 453	1			SCREW AND WASHER, Hex Head, M8x1.25x30
8	6100 841	2			PUSH NUT, M8
9	3420 1711	2			NUT, Hex Flange, M8x1.25

JEEP CHEROKEE (XJ)				
SERIES	LINE	BODY	ENGINE	TRANSMISSION
P = Limited	J = LHD (4WD)	74=4 Dr. (101.4 WB)	ENC, EN0 = 2.5L 4 Cyl Turbo	DDD = 5 Speed Manual
S = Limited	U = RHD (4WD)	72=2 Dr. (101.4 WB)	ERH, ER0 = 4.0L Power Tech	DGS = 4 Speed Auto AISIN
H = Sport	T = LHD (2WD)			DG0 = All Automatic Trans
L = SE	B = RHD (2WD)			DBB = All Manual Trans

AR = Use as required - = Non illustrated part # = New this model year

May 2, 2002

**Brake Lines,Front,LHD Without Anti-Lock Brakes
Figure 005-510**



ITEM	PART NUMBER	QTY	LINE	BODY	DESCRIPTION
1	5200 9069	1			TUBE, Brake, Master Cylinder to Proportioning Valve-Primary
2	5200 9074	1			TUBE, Brake, Master Cylinder to Proportioning Valve-Secondary
3	52128 420AA	1			VALVE, Proportioning
4	5212 8170	1	J, T		TUBE, Brake, Proportioning Valve to Union
5	52127 988AC	1	J, T		TUBE, Brake, Proportioning Valve to Right Front
6	6502 711	2			BOLT, ABS Sensor
7					HOSE, Brake
	52008 674AC	1			Right
	52008 675AC	1			Left
-8	J400 6700	2			BOLT, Banjo, Hose to Caliper Mounting
-9	J323 7672	4			GASKET, Brake Hose To Caliper, Hose to Caliper Mounting
10	5200 8940	5	J, T		CLIP, Brake Line
11	3420 2688	2			CLIP, Latch&Line
12	5212 7967	1			TUBE, Brake, Union to Rear
13	J312 6237	2			GROMMET, Front Brake Tube
14	5212 8381	1	J, T		TUBE, Brake, Proportioning Valve to Left Front

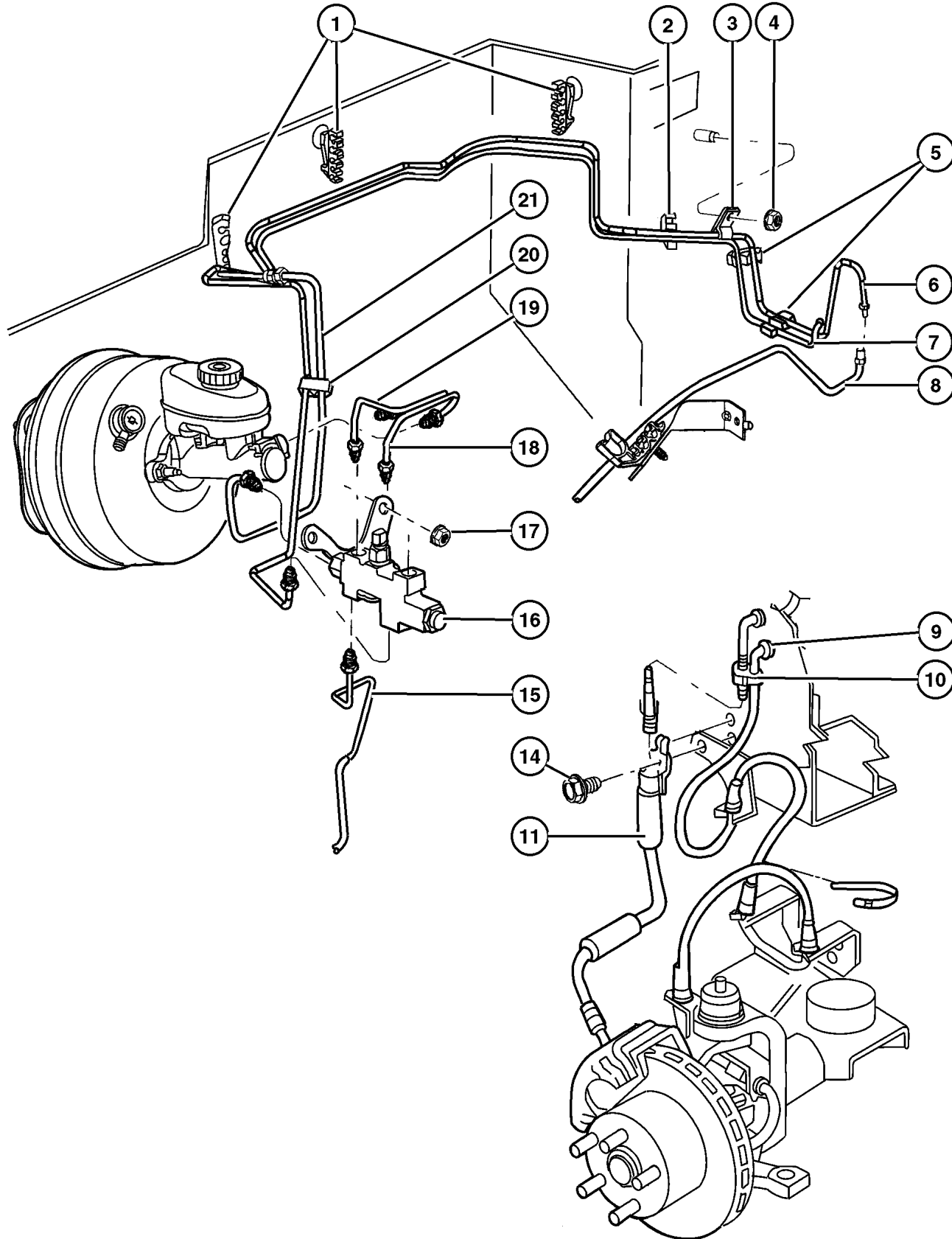
JEEP CHEROKEE (XJ)				
SERIES	LINE	BODY	ENGINE	TRANSMISSION
P = Limited	J = LHD (4WD)	74=4 Dr. (101.4 WB)	ENC, EN0 = 2.5L 4 Cyl Turbo	DDD = 5 Speed Manual
S = Limited	U = RHD (4WD)	72=2 Dr. (101.4 WB)	ERH, ER0 = 4.0L Power Tech	DGS = 4 Speed Auto AISIN
H = Sport	T = LHD (2WD)			DG0 = All Automatic Trans
L = SE	B = RHD (2WD)			DBB = All Manual Trans

AR = Use as required - = Non illustrated part # = New this model year

May 2, 2002

**Brake Lines,Front,RHD,Without Anti-Lock Brakes
Figure 005-520**

ITEM	PART NUMBER	QTY	LINE	BODY	DESCRIPTION
1	5212 8060	3	B, U		CLIP, Five Way
2	5200 8940	1	B, U		CLIP, Brake Line
3	5212 8215	1	B, U		CLIP, Brake Line, Brake Tube to Dash
4	6100 840	1	B, U		NUT, Spring
5	5200 8940	2	B, U		CLIP, Brake Line, 2 Way
6	52128 171AB	1	B, U		TUBE, Brake, Combination Valve to Rear Brake Hose
7	52128 327AA	1	B, U		TUBE, Brake, Coupling to Left Front Brake Hose
8	5212 7967	1			TUBE, Brake, Union to Rear Brake Hose
9	J312 6237	2			GROMMET, Front Brake Tube, Front Brake Tube to Wheelhouse
10	5200 8940	1	B, U		CLIP, Brake Line, 2 Way
11					HOSE, Brake
	52008 674AC	1			Right
	52008 675AC	1			Left
-12	J323 7672	4			GASKET, Brake Hose To Caliper, Front Brake Hose to Caliper Mounting
-13	J400 6700	2			BOLT, Banjo, Front Brake Hose to Caliper Mounting
14	6502 711	2			BOLT, ABS Sensor, Left Front Brake Hose Mounting
15	52129 084AB	1	B, U		TUBE, Brake, Combination Valve to Right Front Brake Hose
16	52128 420AA	1			VALVE, Proportioning
17	5017 194AA	2			NUT, Proportioning Valve Mounting
18	5200 9074	1			TUBE, Brake, Master Cylinder to Combination Valve- Secondary
19	5200 9069	1			TUBE, Brake, Master Cylinder to Combination Valve-Primary
20	5200 8940	1	B, U		CLIP, Brake Line, 2 Way
21	52128 321AA	1	B, U		TUBE, Brake, Combination Valve to Coupling



JEEP CHEROKEE (XJ)

SERIES	LINE	BODY	ENGINE	TRANSMISSION
P = Limited	J = LHD (4WD)	74=4 Dr. (101.4 WB)	ENC, EN0 = 2.5L 4 Cyl Turbo	DDD = 5 Speed Manual
S = Limited	U = RHD (4WD)	72=2 Dr. (101.4 WB)	ERH, ER0 = 4.0L Power Tech	DGS = 4 Speed Auto AISIN
H = Sport	T = LHD (2WD)			DG0 = All Automatic Trans
L = SE	B = RHD (2WD)			DBB = All Manual Trans

AR = Use as required - = Non illustrated part # = New this model year

May 2, 2002

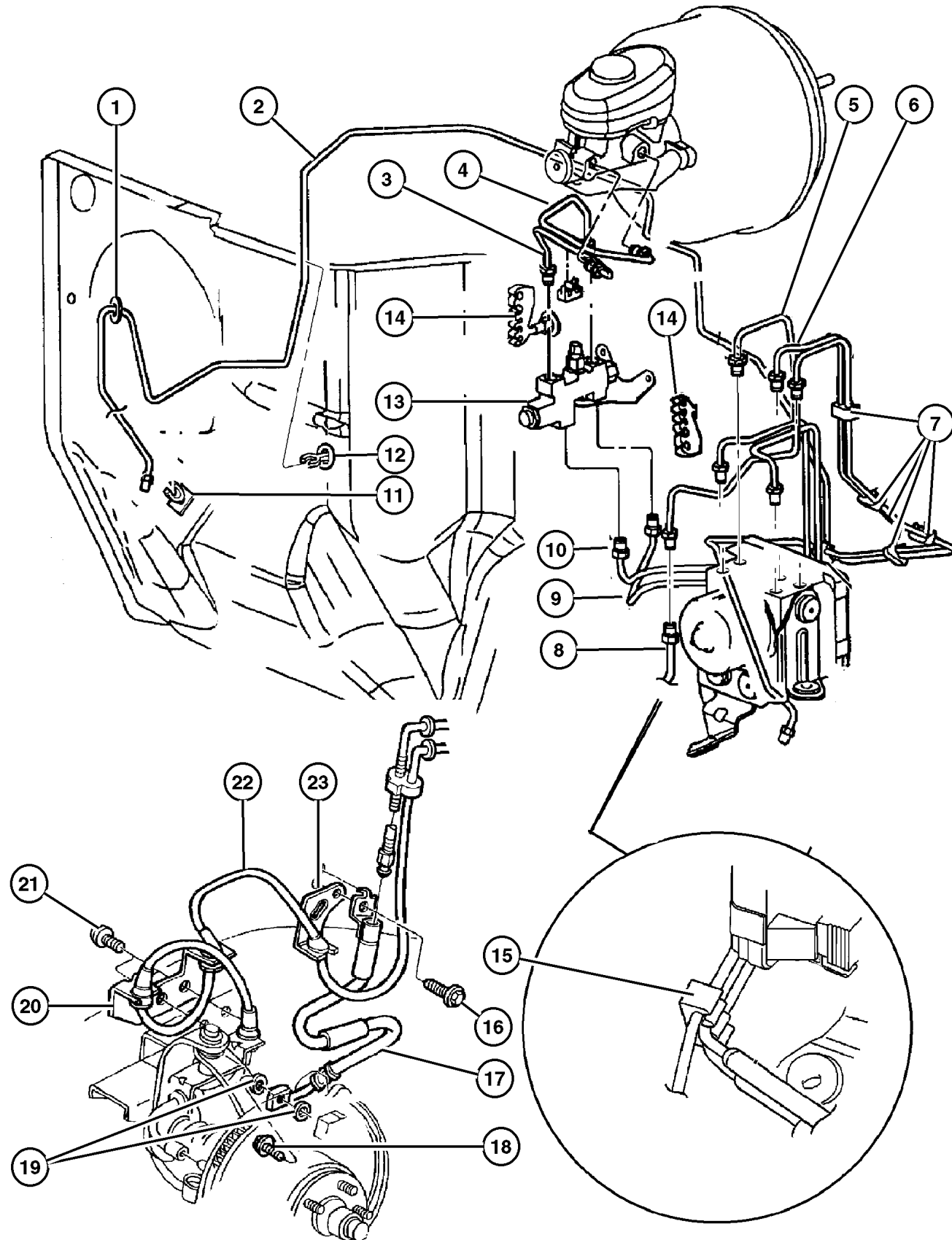
**Brake Lines, Front,LHD,RHD,With Anti-Lock Brakes
Figure 005-530**

ITEM	PART NUMBER	QTY	LINE	BODY	DESCRIPTION
Note:ERO= 2.5L Gas Engine--- ENC 2.5L Diesel Engine are on The Truck					
1	J312 6237	2			GROMMET, Front Brake Tube
2					TUBE, Brake
	52009 072AB	1	J, T		HCU to Right Front Hose
	52009 078AB	1	B, U		HCU to Right Front Hose
3	5200 9074	1			TUBE, Brake, Master Cylinder to Proportioning Valve-Secondary
4	5200 9069	1			TUBE, Brake, Master Cylinder to Proportioning Valve-Primary
5	5200 9146	1			TUBE, Brake, HCU to Rear Hose
6					TUBE, Brake
	5200 9073	1	J, T		HCU to Left Front Hose
	52009 079AB	1	B, U		HCU to Left Front Hose
7					CLIP, Brake Line
	5200 8940	5	J, T		2 Way
		5	B, U		2 Way
8	5212 7967	1			TUBE, Brake, HCU Union to Rear Hose
9					TUBE, Brake
	5200 9067	1	J, T		Proportioning Valve to HCU-Primary
	52009 075AB	1	B, U		Proportioning Valve to HCU-Primary
10					TUBE, Brake
	5200 9068	1	J, T		Proportioning Valve to HCU-Secondary
	52009 075AB	1	B, U		Proportioning Valve to HCU-Secondary
11	3420 2688	2			CLIP, Latch&Line, 1 Way-Brake Line to Left Sill
12	5212 8157	1			CLIP, Brake Line, 1 Way-Brake Line to Right Sill
13					VALVE, Proportioning
	52128 419AA	1	J, T		
	52128 421AA	1			
14					CLIP, Five Way
	5212 8060	2	J, T		
		3	B, U		
15					CLIP, Brake Line
	5200 9163	1	B, U		
		1	J, T		
16	6502 711	2			BOLT, ABS Sensor
17					HOSE, Brake
	52008 674AC	1			Right
	52008 675AC	1			Left
18	J400 6700	2			BOLT, Banjo, Hose to Caliper Mounting
19	6035 886	4			GASKET, Brake Hose To Caliper, Hose to Caliper Mounting
20					BRACKET, Brake Sensor
	5602 6996	1			Right
	5602 6997	1			Left

JEEP CHEROKEE (XJ)				
SERIES	LINE	BODY	ENGINE	TRANSMISSION
P = Limited	J = LHD (4WD)	74=4 Dr. (101.4 WB)	ENC, EN0 = 2.5L 4 Cyl Turbo	DDD = 5 Speed Manual
S = Limited	U = RHD (4WD)	72=2 Dr. (101.4 WB)	ERH, ER0 = 4.0L Power Tech	DGS = 4 Speed Auto AISIN
H = Sport	T = LHD (2WD)			DG0 = All Automatic Trans
L = SE	B = RHD (2WD)			DBB = All Manual Trans

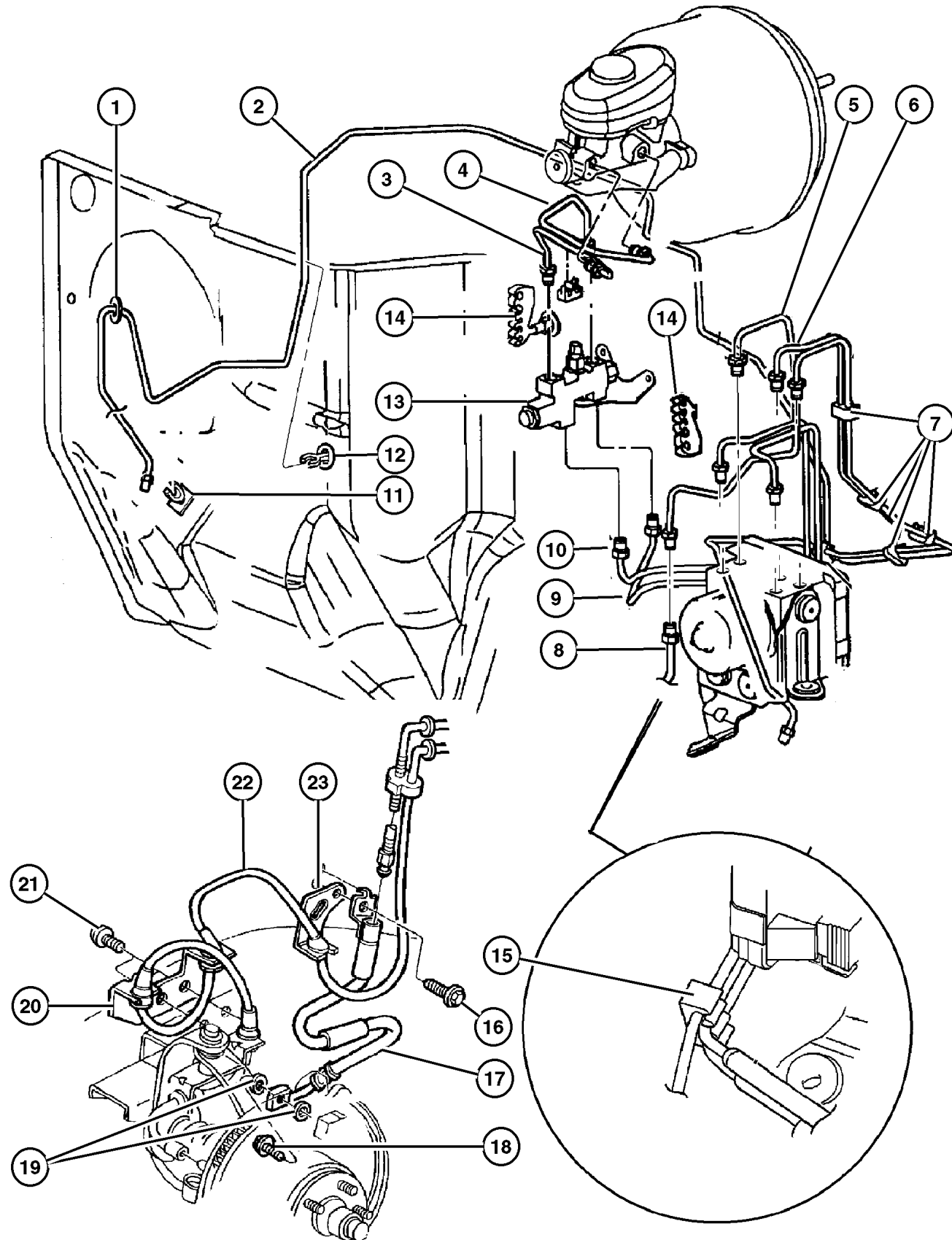
AR = Use as required - = Non illustrated part # = New this model year

May 2, 2002



**Brake Lines, Front,LHD,RHD,With Anti-Lock Brakes
Figure 005-530**

ITEM	PART NUMBER	QTY	LINE	BODY	DESCRIPTION
21	3420 1912	4			SCREW, Self Tapping, M6x1x14, Brake Sensor Bracket Mounting
22	5600 5217	2	J		SENSOR, Anti-Lock Brakes
		2	U		
23	5602 6836	1			BRACKET, ABS Sensor Right
	5602 6837	1			Left

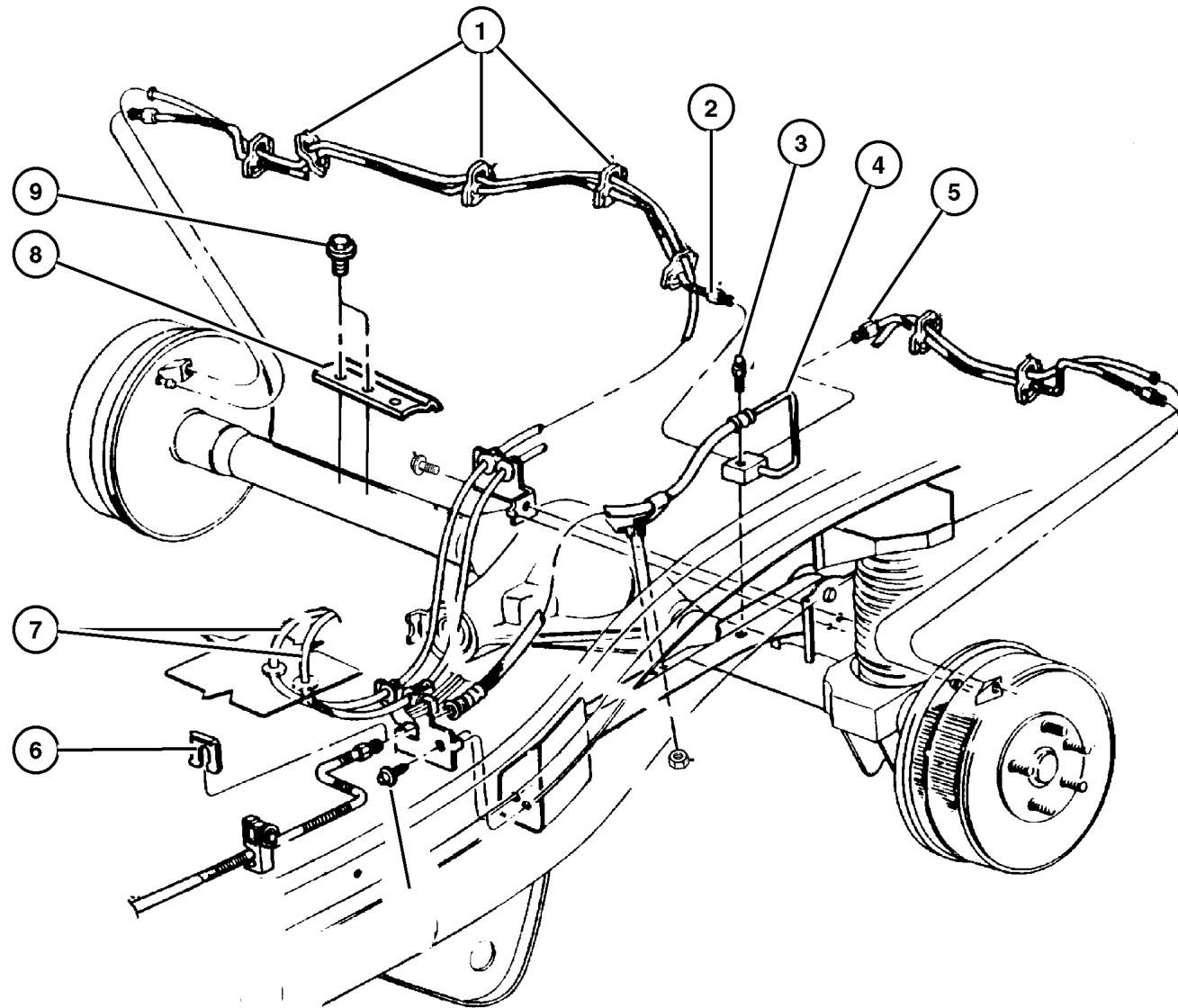


JEEP CHEROKEE (XJ)				
SERIES	LINE	BODY	ENGINE	TRANSMISSION
P = Limited	J = LHD (4WD)	74=4 Dr. (101.4 WB)	ENC, EN0 = 2.5L 4 Cyl Turbo	DDD = 5 Speed Manual
S = Limited	U = RHD (4WD)	72=2 Dr. (101.4 WB)	ERH, ER0 = 4.0L Power Tech	DGS = 4 Speed Auto AISIN
H = Sport	T = LHD (2WD)			DG0 = All Automatic Trans
L = SE	B = RHD (2WD)			DBB = All Manual Trans

AR = Use as required - = Non illustrated part # = New this model year

May 2, 2002

Brake Lines and Hoses, Rear Figure 005-540



ITEM	PART NUMBER	QTY	LINE	BODY	DESCRIPTION
NOTE: AHB= Police Package---DRA=8.25 Corporate Rear Axle---DRJ=Dana 35---DRM=Dana 44 are on The Truck					
1	5602 6775	10			CLIP, Tube To Speed Sensor
2					TUBE, Brake
	52128 264AC	1			[DRJ,DRM,+AHB], Right
	5212 9022	1			[DRA], Right
	5213 0024	1			[DRJ,DRM,-AHB], Right
3	5206 7508	1			BOLT, Axle Vent
4	52007 562AC	1			HOSE, Brake, Rear
5					TUBE, Brake
	52128 265AC	1			[DRJ,DRM,+AHB], Left
	5212 9023	1			[DRA], Left
	5213 0025	1			[DRJ,DRM,-AHB], Left
6	2208 893	1			LOCK, Brake Hose
7					SENSOR, Anti-Lock Brakes
	5200 5932	1			Right
	5200 5933	1			Left
8	5200 7800	1			CLIP, Brake Tube
9	3420 1912	4			SCREW, Self Tapping, M6x1x14

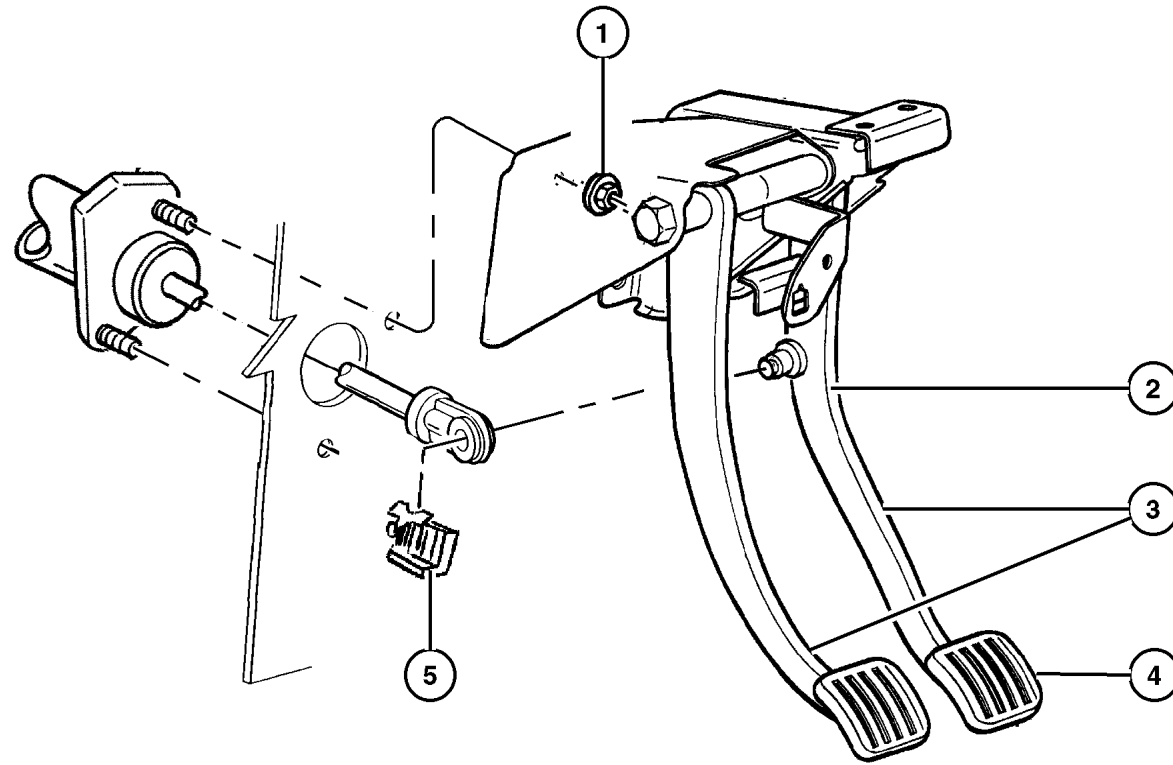
JEEP CHEROKEE (XJ)

SERIES	LINE	BODY	ENGINE	TRANSMISSION
P = Limited	J = LHD (4WD)	74=4 Dr. (101.4 WB)	ENC, EN0 = 2.5L 4 Cyl Turbo	DDD = 5 Speed Manual
S = Limited	U = RHD (4WD)	72=2 Dr. (101.4 WB)	ERH, ER0 = 4.0L Power Tech	DGS = 4 Speed Auto AISIN
H = Sport	T = LHD (2WD)			DG0 = All Automatic Trans
L = SE	B = RHD (2WD)			DBB = All Manual Trans

AR = Use as required - = Non illustrated part # = New this model year

May 2, 2002

Brake Pedal Figure 005-610



ITEM	PART NUMBER	QTY	LINE	BODY	DESCRIPTION
Note:DBB= All Manual Transmissions---DG0=All Automatic Transmissions are on The Truck					
1	J400 3909	2			NUT, Hex Flange With Serration
2					PEDAL, Brake
	52129 061AG	1	J, T		[DG0]
	52078 848AE	1	B, U		[DG0]
3					PEDAL, Brake And Clutch
	52128 398AA	1	J, T		[DBB]
	52079 254AC	1	B, U		[DBB]
4					PAD, Pedal
	4779 027	1	J, T		[DG0]
		1	B, U		[DG0]
	5200 2750	1	J, T		[DBB]
		2	B, U		[DBB]
5	6035 334	1			CLIP, Brake Push Rod

JEEP CHEROKEE (XJ)

SERIES	LINE	BODY	ENGINE	TRANSMISSION
P = Limited	J = LHD (4WD)	74=4 Dr. (101.4 WB)	ENC, EN0 = 2.5L 4 Cyl Turbo	DDD = 5 Speed Manual
S = Limited	U = RHD (4WD)	72=2 Dr. (101.4 WB)	ERH, ER0 = 4.0L Power Tech	DGS = 4 Speed Auto AISIN
H = Sport	T = LHD (2WD)			DG0 = All Automatic Trans
L = SE	B = RHD (2WD)			DBB = All Manual Trans

AR = Use as required - = Non illustrated part # = New this model year

May 2, 2002

Group – 006

Clutch

GROUP 6 - Clutch

Illustration Title

Group-Fig. No.

Clutch

Clutch Fig. 006-110

Clutch Housing

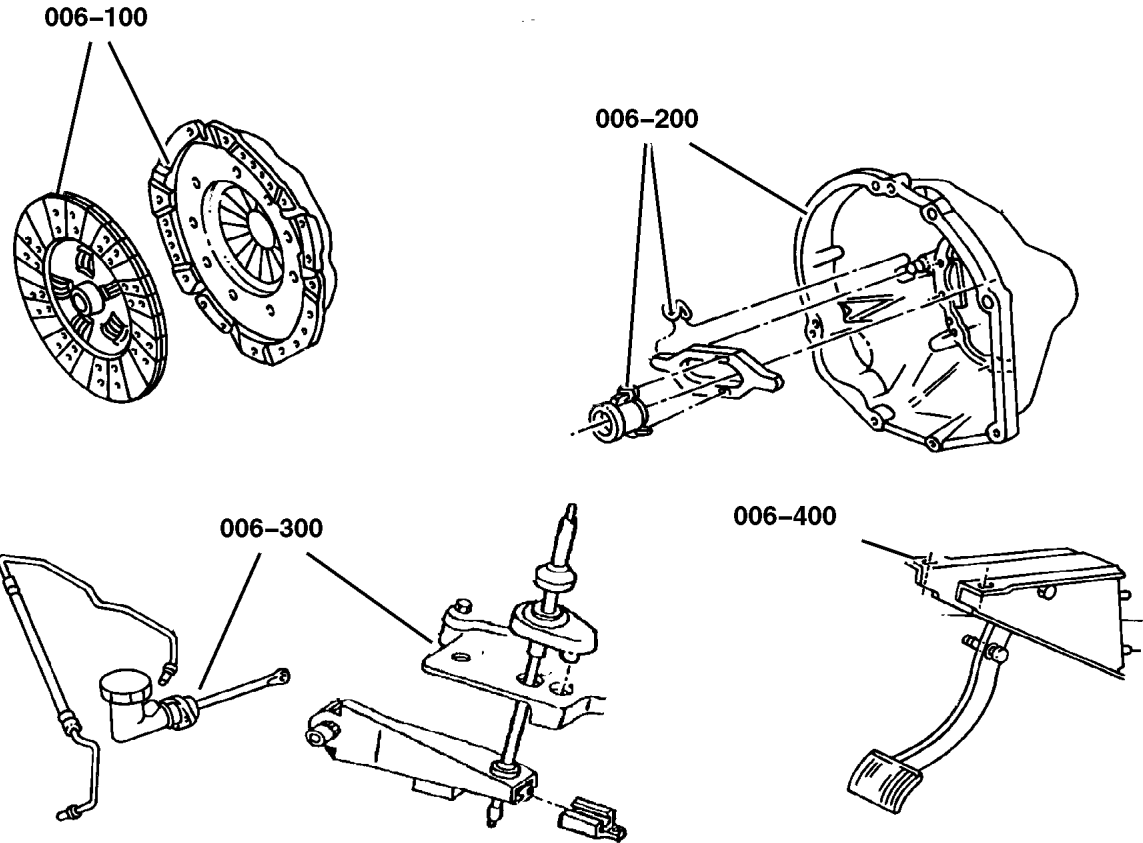
Clutch Housing Fig. 006-210

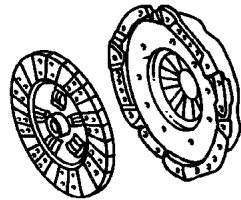
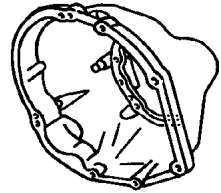
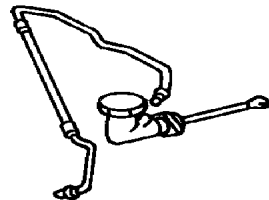
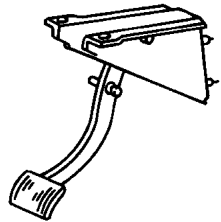
Clutch Controls

Clutch Control Fig. 006-320

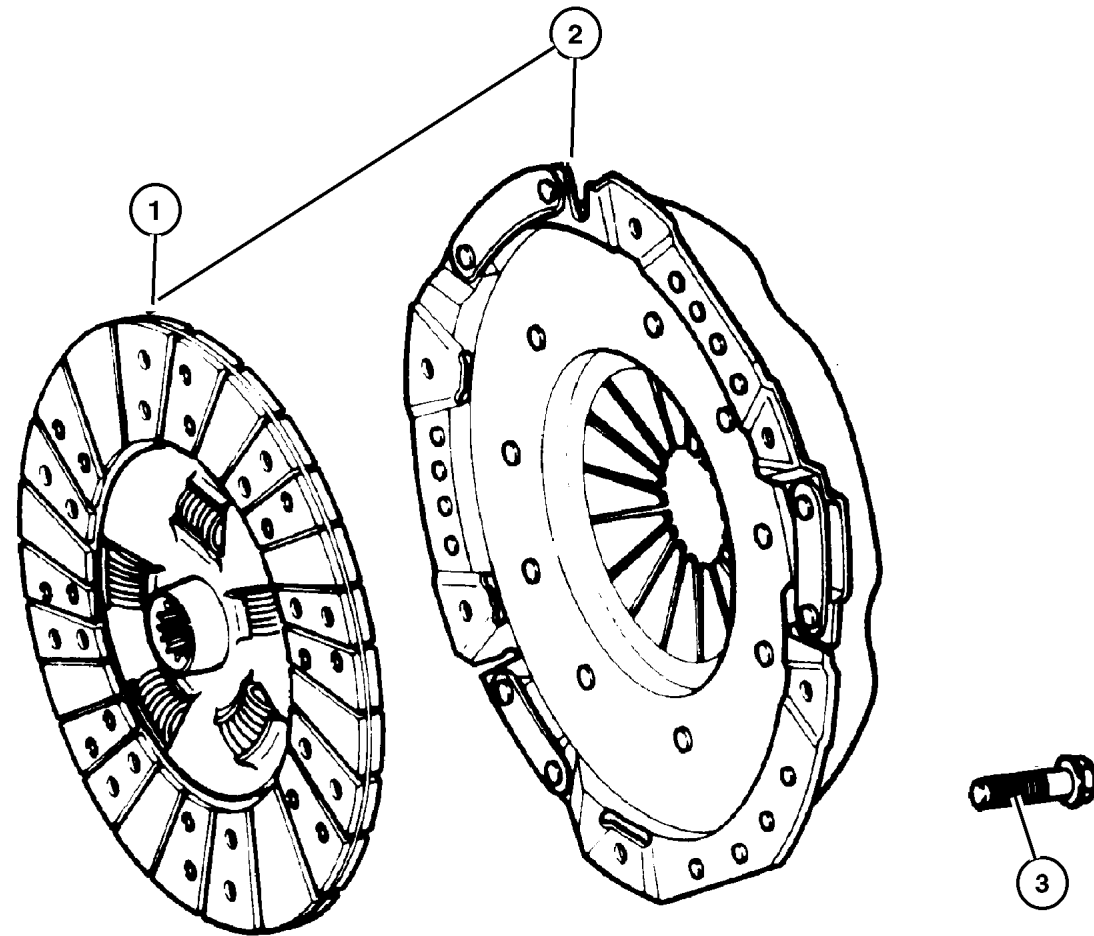
Clutch Pedals

Pedal Clutch Fig. 006-420



<p>006-100 Clutch</p> 	<p>006-200 Clutch Housing</p> 	<p>006-300 Clutch Controls</p> 	<p>006-400 Clutch Pedals</p> 
--	--	--	---

Clutch Figure 006-110



ITEM	PART NUMBER	QTY	LINE	ENGINE	TRANS	DESCRIPTION
Notes: are on The Truck						
EN0 = All 4/5 Turbo Diesel Engines are on The Truck						
ER0 = All 4.0L 6 Cylinder Engines are on The Truck						
DDD = 5 Speed Heavy Duty Manual Transmissions are on The Truck						
DBB = All MAnnual Transmissions are on The Truck						
1						DISC, Clutch
	52104 363AA	1		ER0	DDD	
	53008 259AB	1		EN0	DDD	
2						CLUTCH PACKAGE
	4874 175AC	1		EN0	DDD	
	5015 606AA	1		ER0	DDD	
3						BOLT, Hex Head, .375-16x.84
	6035 626	6		ER0	DBB	
		6		EN0	DBB	

JEEP CHEROKEE (XJ)				
SERIES	LINE	BODY	ENGINE	TRANSMISSION
P = Limited	J = LHD (4WD)	74=4 Dr. (101.4 WB)	ENC, EN0 = 2.5L 4 Cyl Turbo	DDD = 5 Speed Manual
S = Limited	U = RHD (4WD)	72=2 Dr. (101.4 WB)	ERH, ER0 = 4.0L Power Tech	DGS = 4 Speed Auto AISIN
H = Sport	T = LHD (2WD)			DG0 = All Automatic Trans
L = SE	B = RHD (2WD)			DBB = All Manual Trans

AR = Use as required - = Non illustrated part # = New this model year

May 2, 2002

Clutch Housing Figure 006-210

ITEM	PART NUMBER	QTY	LINE	ENGINE	TRANS	DESCRIPTION
------	-------------	-----	------	--------	-------	-------------

Notes: are on The Truck

EN0 = All 4/5 Turbo Diesel Engines are on The Truck

ER0 = All 4.0L 6 Cylinder Engines are on The Truck

DDD = 5 Speed Heavy Duty Manual Transmissions are on The Truck

DBB = All MAnnual Transmissions are on The Truck

DG0 = All Automatic Transmissions are on The Truck

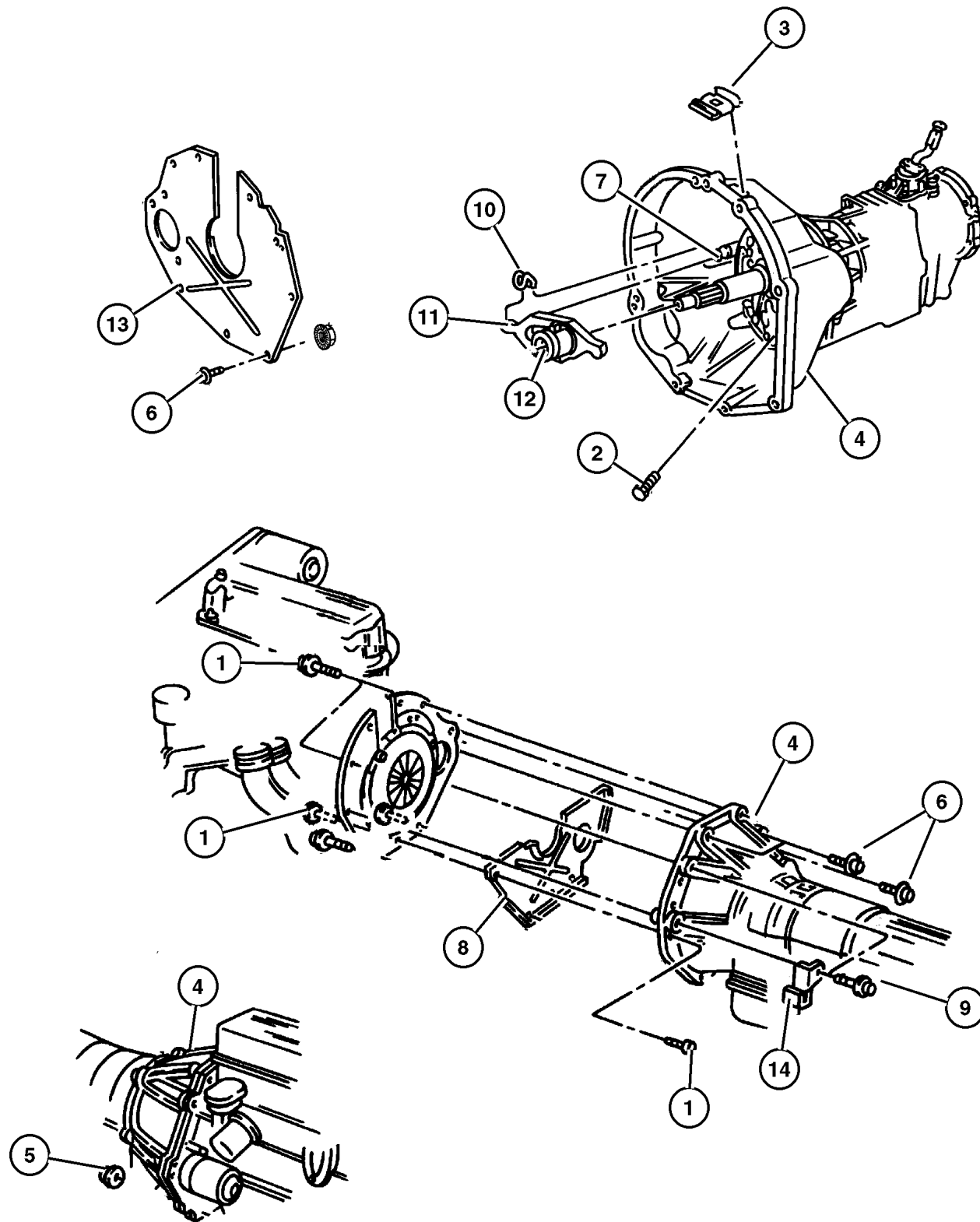
1	1150 0986	3		ER0	DBB	BOLT, Hex Flange Head, M8x2.12x16
2	6503 299	9			DBB	BOLT, Hex Head
3						GROMMET, Timing Probe
	5210 7589	1		EN0	DBB	
	5300 6010	1		ER0	DBB	
4						HOUSING, Clutch
	5210 4045	1		ER0	DDD	
	5210 7552	1		EN0, ER0	DBB	
5	0152 344	1		EN0, ER0	DBB	NUT, .375-16
6						BOLT, Hex Head, M12x1.75x50, (NOT SERVICED)
7	5208 7542	1		EN0, ER0	DBB	PIVOT, Clutch Release
8	52118 078AB	1		ER0	DG0	COVER, Transmission Dust
9						BOLT, Hex Flange Head, M12x1.75x90, (NOT SERVICED)
10	4338 855	1			DBB	SPRING, Clutch Release
11	5210 7555	1			DBB	FORK, Clutch Release
12	5300 8342	1			DBB	BEARING, Clutch Release
13	53004 473AB	1		ER0	DBB	SPACER, Clutch Housing
14	52107 595AB	1		EN0	DBB	BRACKET, Clutch Tube

JEEP CHEROKEE (XJ)

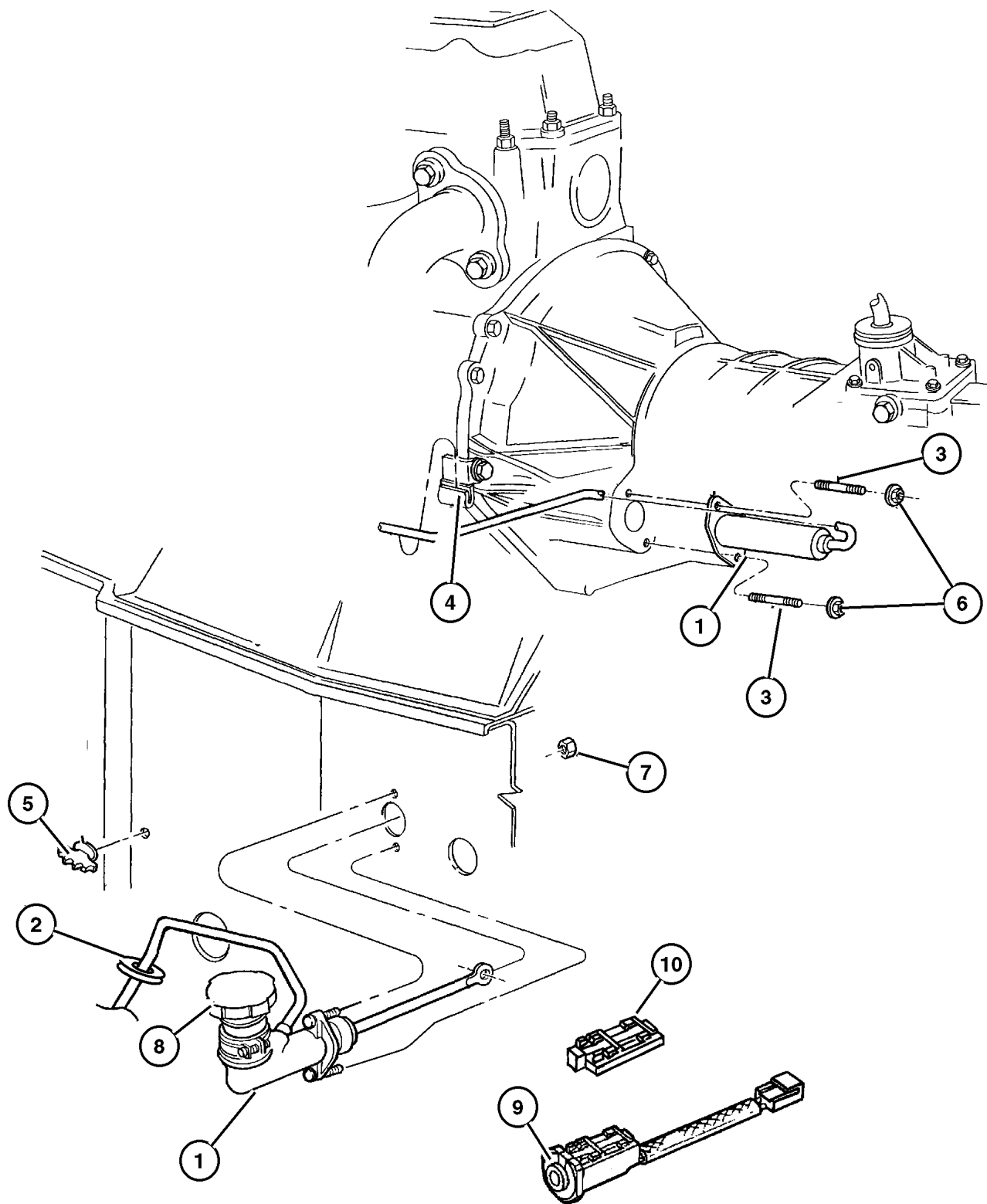
SERIES	LINE	BODY	ENGINE	TRANSMISSION
P = Limited	J = LHD (4WD)	74=4 Dr. (101.4 WB)	ENC, EN0 = 2.5L 4 Cyl Turbo	DDD = 5 Speed Manual
S = Limited	U = RHD (4WD)	72=2 Dr. (101.4 WB)	ERH, ER0 = 4.0L Power Tech	DGS = 4 Speed Auto AISIN
H = Sport	T = LHD (2WD)			DG0 = All Automatic Trans
L = SE	B = RHD (2WD)			DBB = All Manual Trans

AR = Use as required - = Non illustrated part # = New this model year

May 2, 2002



Clutch Control Figure 006-320



ITEM	PART NUMBER	QTY	LINE	ENGINE	TRANS	DESCRIPTION
Notes: are on The Truck						
EN0 = All 4/5 Turbo Diesel Engines are on The Truck						
DBB = All MAnual Transmissions are on The Truck						
1						HYDRAULIC CONTROL, Clutch Actuator
	52107 654AC	1	J, T	EN0	DBB	
	52107 657AB	1	U	EN0	DBB	
	52119 686AA	1	J, T	ER0	DBB	
	52119 687AA	1	B, U	ER0	DBB	
2						CLIP, Tube
	3200 0404	3	B, U			
		2	J, T			
3	6032 878	2			DBB	STUD, .312-18x2.00
4	52107 595AB	1		EN0	DBB	BRACKET, Clutch Tube
5						CLIP, Five Way
	5212 8060	3	B, U			
		2	J, T			
6	0152 472	2			DBB	NUT, Hex Flange Lock, .312-18
7	J400 3909	4				NUT, Hex Flange With Serration
8						CAP, Clutch Reservoir
	4883 544AA	1	J, T	EN0	DBB	
		1	U	EN0	DBB	
9						SWITCH, Clutch Starter Interlock
	53007 944AB	1	U	EN0	DBB	
		1	J, T	EN0	DBB	
10						COVER, Switch
	5015 960AA	1	J, T	EN0	DBB	
		1	U	EN0	DBB	

JEEP CHEROKEE (XJ)

SERIES	LINE	BODY	ENGINE	TRANSMISSION
P = Limited	J = LHD (4WD)	74=4 Dr. (101.4 WB)	ENC, EN0 = 2.5L 4 Cyl Turbo	DDD = 5 Speed Manual
S = Limited	U = RHD (4WD)	72=2 Dr. (101.4 WB)	ERH, ER0 = 4.0L Power Tech	DGS = 4 Speed Auto AISIN
H = Sport	T = LHD (2WD)			DG0 = All Automatic Trans
L = SE	B = RHD (2WD)			DBB = All Manual Trans

AR = Use as required - = Non illustrated part # = New this model year

May 2, 2002

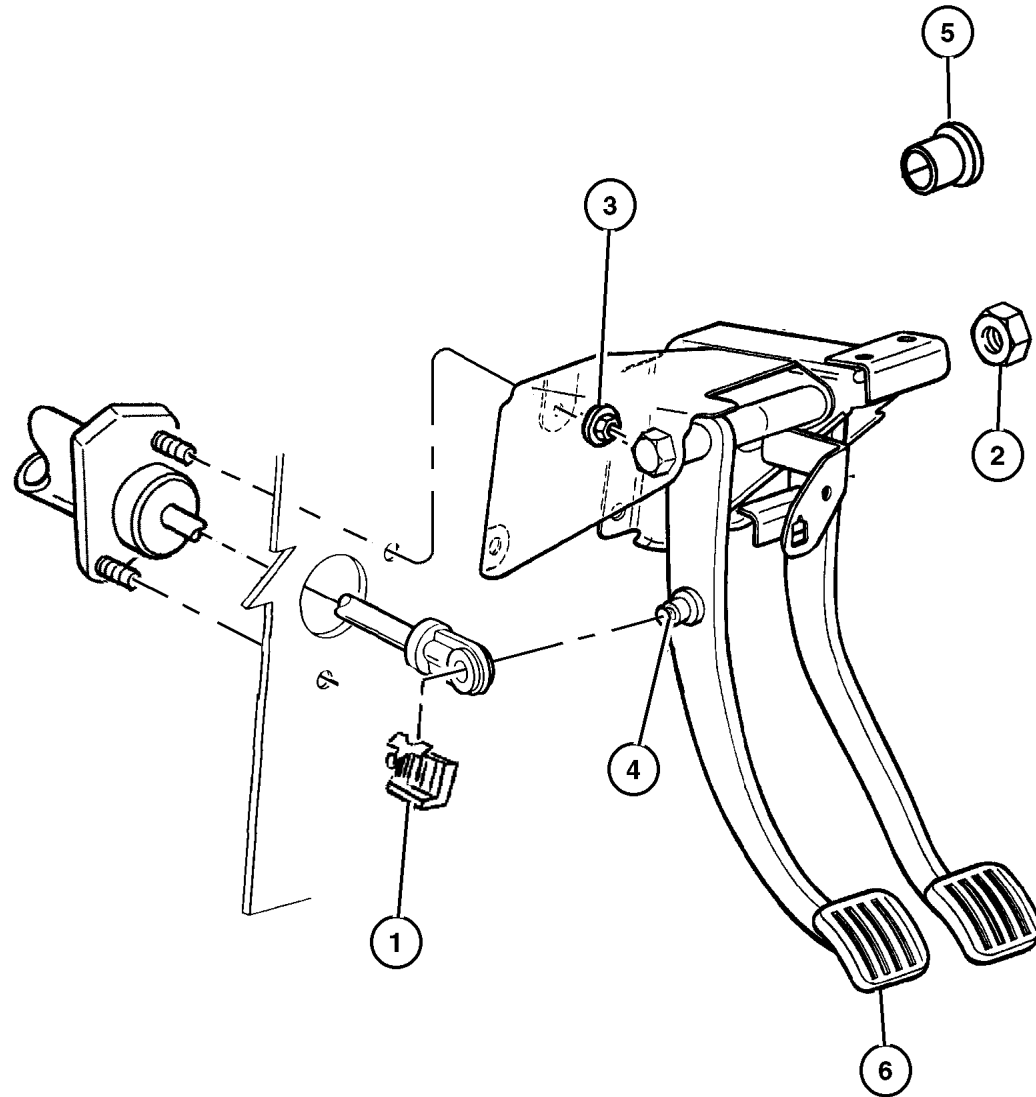
Pedal Clutch
Figure 006-420

ITEM	PART NUMBER	QTY	LINE	ENGINE	TRANS	DESCRIPTION
------	-------------	-----	------	--------	-------	-------------

Notes: are on The Truck

DBB = All Manual Transmissions are on The Truck

1	6035 334	1				CLIP, Brake Push Rod
2						NUT, Engine Mounting, M12 x 1.75, (NOT REQUIRED)
3	J400 3909	2			DBB	NUT, Hex Flange With Serration
4	4446 361	1				BUSHING, Hydraulic Clutch Actuator
5						BUSHING, Clutch and Brake Pedal, (NOT REQUIRED)
6	5200 2750	2	B, U		DBB	PAD, Pedal
		1	J, T		DBB	



JEEP CHEROKEE (XJ)

SERIES	LINE	BODY	ENGINE	TRANSMISSION
P = Limited	J = LHD (4WD)	74=4 Dr. (101.4 WB)	ENC, EN0 = 2.5L 4 Cyl Turbo	DDD = 5 Speed Manual
S = Limited	U = RHD (4WD)	72=2 Dr. (101.4 WB)	ERH, ER0 = 4.0L Power Tech	DGS = 4 Speed Auto AISIN
H = Sport	T = LHD (2WD)			DG0 = All Automatic Trans
L = SE	B = RHD (2WD)			DBB = All Manual Trans

AR = Use as required - = Non illustrated part # = New this model year

May 2, 2002

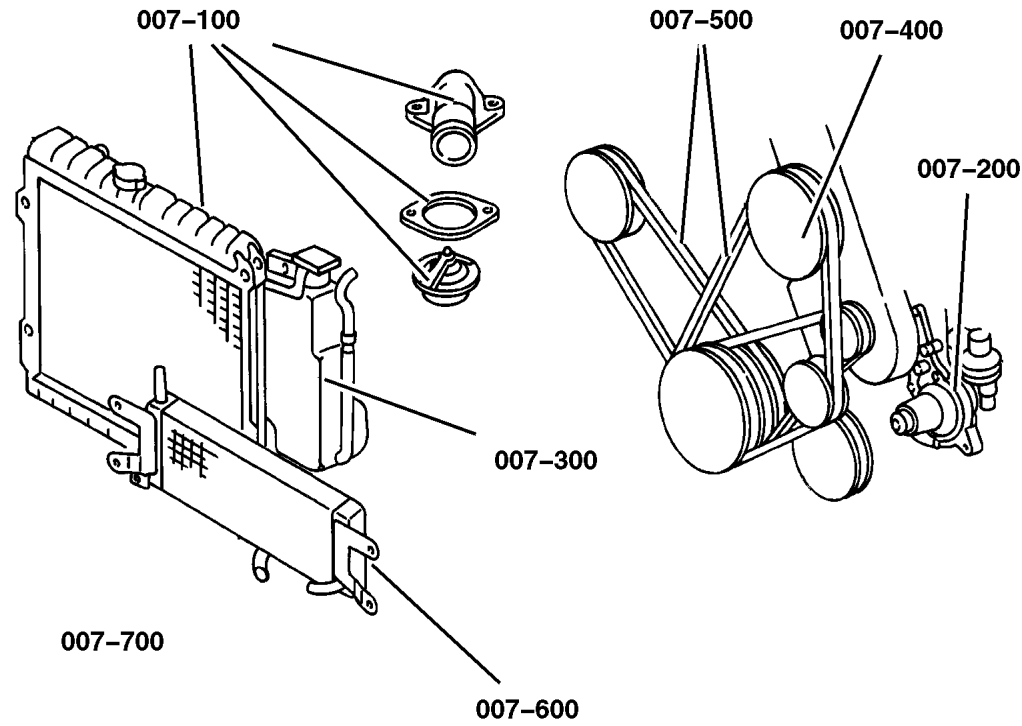
Group – 007

Cooling

GROUP 7 - Cooling

Illustration Title

Group-Fig. No.



Radiator and Related Parts

Radiator and Related Parts, 4.0L Engine	Fig. 007-120
Radiator and Related Parts, 2.5L Diesel Engine	Fig. 007-145
Charge Air Cooler, 2.5L Diesel Engine	Fig. 007-147

Water Pump and Related Parts

Water Pump and Related Parts, 4.0L Gas Engines	Fig. 007-210
Water Pump and Water Manifold, 2.5L Diesel Engine	Fig. 007-215

Tank, Coolant Engine

Bottle, Coolant Recovery, LHD	Fig. 007-305
Bottle, Coolant Recovery, RHD	Fig. 007-310

Pulleys and Related Parts

Drive Pulleys, 4.0L Engine, LHD	Fig. 007-408
Drive Pulleys, 4.0L Engine, RHD	Fig. 007-409
Drive Pulleys, 2.5L Diesel Engine	Fig. 007-415

Drive Belts

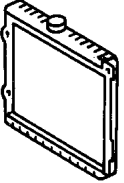
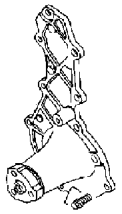

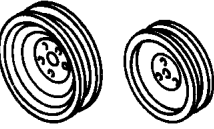
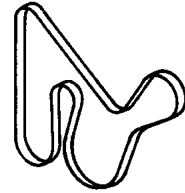
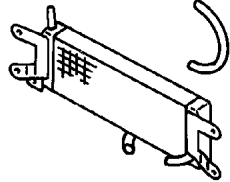
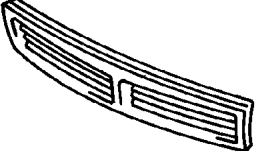
Drive Belts	Fig. 007-510
-------------------	--------------

Lines, Transmission Oil Cooler

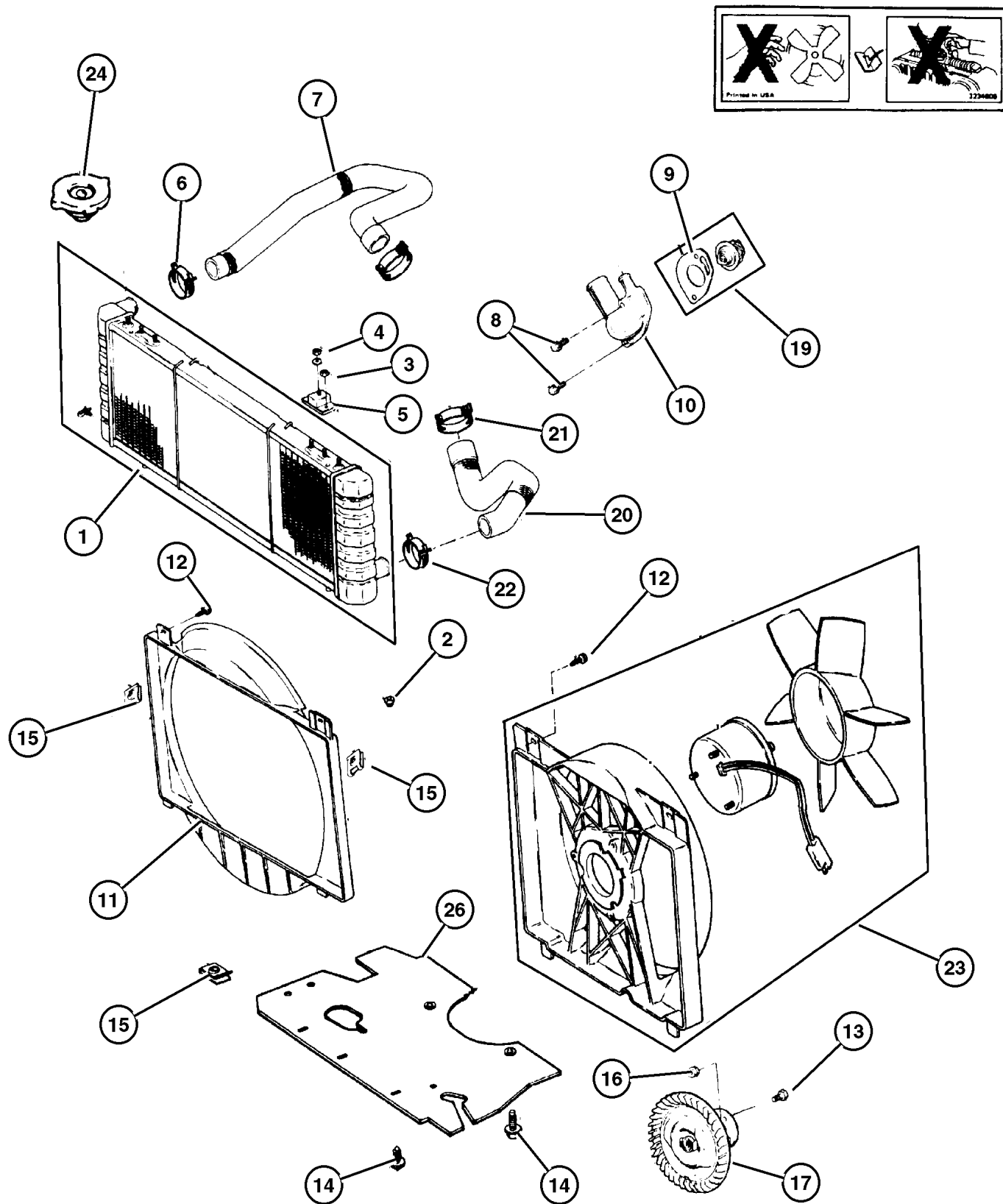
Oil Cooler Lines, LHD	Fig. 007-610
Oil Cooler Lines, RHD	Fig. 007-620

Grilles

Grille and Related Parts	Fig. 007-710
--------------------------------	--------------

<p>007-100 Radiator and Related Parts</p> 	<p>007-200 Water Pump and Related Parts</p> 	<p>007-300 Tank, Coolant Engine</p> 	<p>007-400 Pulleys and Related Parts</p> 
<p>007-500 Drive Belts</p> 	<p>007-600 Lines, Transmission Oil Cooler</p> 	<p>007-700 Grilles</p> 	

Radiator and Related Parts, 4.0L Engine Figure 007-120



ITEM	PART NUMBER	QTY	LINE	ENGINE	TRANS	DESCRIPTION
Note: Sales Code are on The Truck						
DBB = All Manual Trans are on The Truck						
DG0 = All Auto Trans are on The Truck						
EN0 = All Turbo Diesel Engines are on The Truck						
EP0 = All 2.5L 4 Cyl Gas Engines are on The Truck						
ER0 = All 4.0L 6 Cyl Gas Engines are on The Truck						
NMC = Heavy Duty Cooling are on The Truck						
1	5202 8133	1	J, T	ER0	DBB	RADIATOR, Engine Cooling Copper Brass Middle East
	5202 8537	1	B, U	ER0	DG0	
	5202 8544	1	B, U	ER0	DBB	
	52080 104AC	1	J, T	ER0	DG0	with Heavy Duty Cooling [NMC]
	52080 115AC	1	J, T	ER0	DBB	with Heavy Duty Cooling [NMC]
	52079 682AE	1	J, T	ER0	DG0	without Heavy Duty Cooling [NMC]
	52079 693AD	1	J, T	ER0	DBB	without Heavy Duty Cooling [NMC]
2	J068 7550	2		EN0, EP0, ER0		GROMMET, Radiator
3	1150 2722	2		EN0, ER0		NUT, Hex Flange, M5x.8
4	1150 3745	2		EN0, EP0, ER0		NUT, Hex, M6x1
5	5200 2585	2		EN0, EP0, ER0		ISOLATOR, Radiator
6	3200 2983	1		EP0, ER0		CLAMP, Hose, 32mm Black
7						HOSE, Radiator
	5200 6301	1	J, T	ER0		
	5202 9635	1	B, U	ER0		
8	6034 927	1		ER0		SCREW AND WASHER, Hex Head, .312-18x.970
9	53020 547AB	1		ER0		GASKET, Thermostat
10	5300 6192	1		ER0		HOUSING, Thermostat
11						SHROUD, Fan
	52027 501AB	1	J, T	ER0		
	5202 8324	1	B, U	ER0		
12						SCREW, (NOT SERVICED)
13	6034 860	4		EP0, ER0		BOLT AND WASHER, Implement Attaching
14	5200 9234	1				FASTENER, Push Pin
15	1150 0662	2				NUT, U Type, M10 x 1.50
16						NUT, (NOT SERVICED)

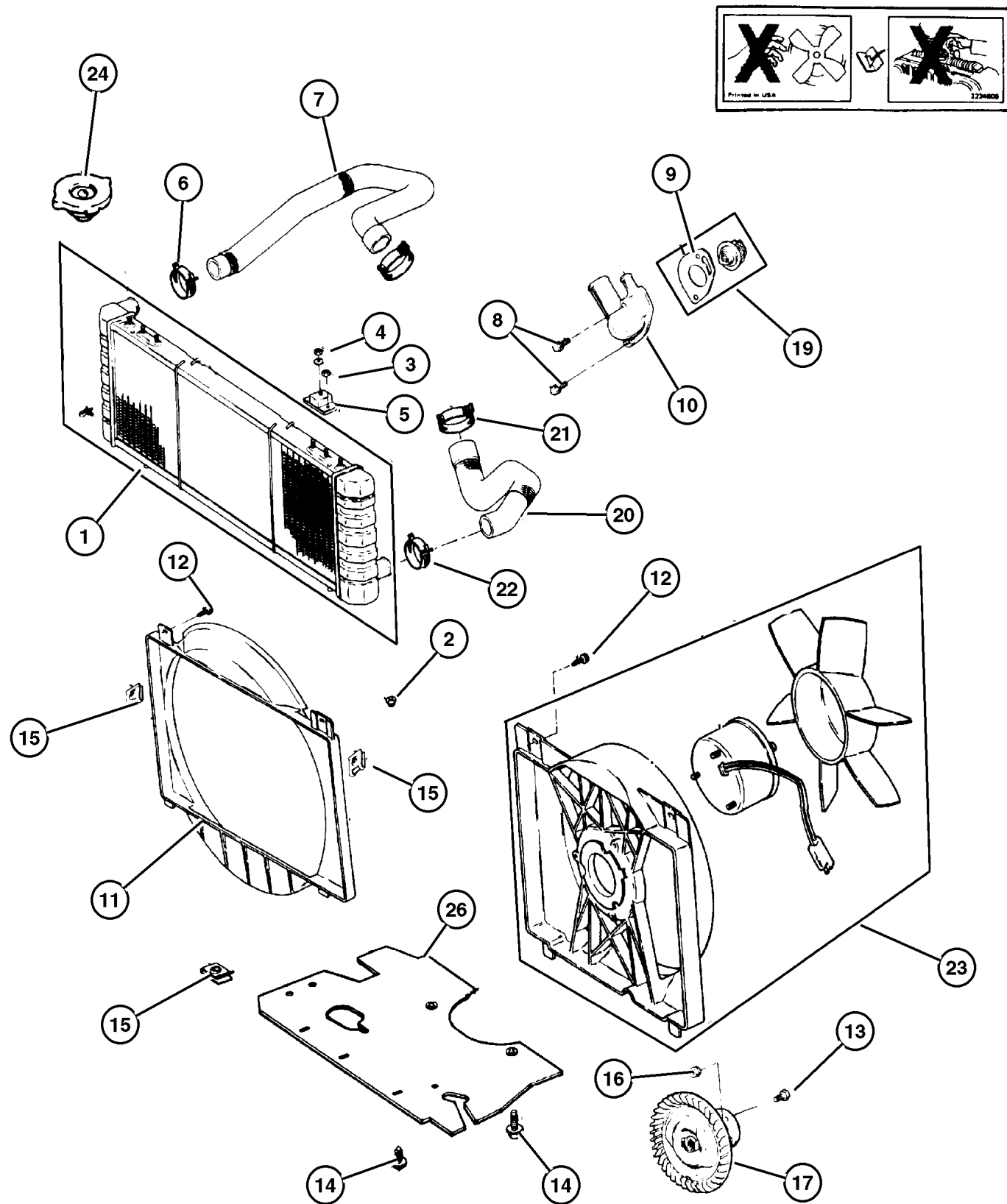
JEEP CHEROKEE (XJ)

SERIES	LINE	BODY	ENGINE	TRANSMISSION
P = Limited	J = LHD (4WD)	74=4 Dr. (101.4 WB)	ENC, EN0 = 2.5L 4 Cyl Turbo	DDD = 5 Speed Manual
S = Limited	U = RHD (4WD)	72=2 Dr. (101.4 WB)	ERH, ER0 = 4.0L Power Tech	DGS = 4 Speed Auto AISIN
H = Sport	T = LHD (2WD)			DG0 = All Automatic Trans
L = SE	B = RHD (2WD)			DBB = All Manual Trans

AR = Use as required - = Non illustrated part # = New this model year

May 2, 2002

Radiator and Related Parts, 4.0L Engine Figure 007-120



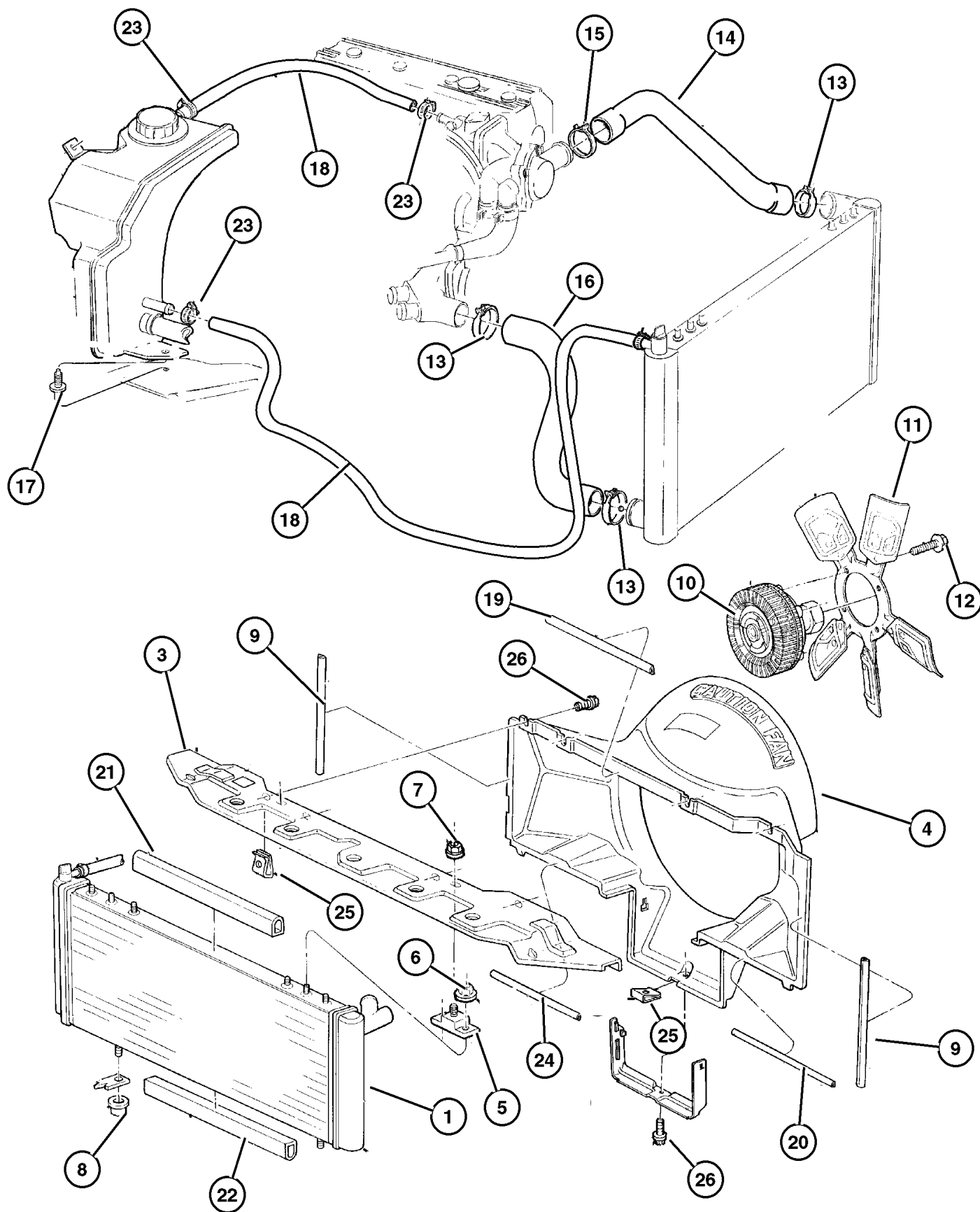
ITEM	PART NUMBER	QTY	LINE	ENGINE	TRANS	DESCRIPTION
17	5207 9625	1		ER0		VISCOUS CLUTCH, Fan Drive
-18	5200 2593	1		ER0		FAN
19	5202 8186	1		ER0		THERMOSTAT, 195 Degrees
20	52028 286AE	1		ER0		HOSE, Radiator Inlet
21	3200 2366	1		EP0, ER0		CLAMP, Hose, 55mm Black
22	3200 2366	1		EP0, ER0		CLAMP, Hose, 55mm Black
23						FAN MODULE, Radiator Cooling
	52028 337AB	1	J, T	ER0		
	52028 338AB	1	J	ER0		Middle East
	52028 339AB	1	B, U	ER0		
24	3781 830	1	J, T	ER0	DBB	CAP, Radiator
-25						DRAINCOCK, Radiator
	4546 100	1	J, T	ER0	DG0	
		1	J, T	ER0	DBB	
26	5517 4736	1		EP0, ER0		SHIELD, Engine

JEEP CHEROKEE (XJ)				
SERIES	LINE	BODY	ENGINE	TRANSMISSION
P = Limited	J = LHD (4WD)	74=4 Dr. (101.4 WB)	ENC, EN0 = 2.5L 4 Cyl Turbo	DDD = 5 Speed Manual
S = Limited	U = RHD (4WD)	72=2 Dr. (101.4 WB)	ERH, ER0 = 4.0L Power Tech	DGS = 4 Speed Auto AISIN
H = Sport	T = LHD (2WD)			DG0 = All Automatic Trans
L = SE	B = RHD (2WD)			DBB = All Manual Trans

AR = Use as required - = Non illustrated part # = New this model year

May 2, 2002

Radiator and Related Parts, 2.5L Diesel Engine Figure 007-145



ITEM	PART NUMBER	QTY	LINE	ENGINE	TRANS	DESCRIPTION
Note: Sales Code are on The Truck						
DD0 = All 5 Speed Manual Trans. are on The Truck						
EN0 = All Turbo Diesel Engines are on The Truck						
EP0 = All 2.5L 4 Cyl Gas Engines are on The Truck						
ER0 = All 4.0L 6 Cyl Gas Engines are on The Truck						
1	5202 9100	1		EN0		RADIATOR, Engine Cooling
-2	5202 8256	1		EN0	DD0	CAP, Radiator
3	55235 830AA	1		EN0, EP0, ER0		CROSSMEMBER, Radiator
4	52079 624AB	1		EN0		SHROUD, Fan
5	5200 2585	2		EN0, EP0, ER0		ISOLATOR, Radiator
6	1150 2722	4		EN0, EP0, ER0		NUT, Hex Flange, M5x.8
7	1150 3745	2		EN0, EP0, ER0		NUT, Hex, M6x1
8	J068 7550	2		EN0, EP0, ER0		GROMMET, Radiator
9	5202 8230	2		EN0		SEAL, Radiator Shroud
10	52028 370AC	1		EN0		DRIVE, Fan
11	5202 8200	1		EN0		FAN, Cooling
12	6034 860	4		EN0		BOLT AND WASHER, Implement Attaching
13						CLAMP, Radiator, 55mm Silver, (NOT SERVICED)
14	5207 9690	1		EN0		HOSE, Radiator Inlet
15	3200 2983	1		EN0		CLAMP, Hose, 32mm Black
16	52028 407AC	1		EN0		HOSE, Radiator Outlet
17	6032 824	1		EN0		BOLT, Hex Flange Head, .25-14x.625
18	5207 9457	1		EN0		HOSE, Coolant Recovery Bottle
19	5202 8234	1		EN0		SEAL, Radiator Shroud, Upper
20	5202 8216	1		EN0		SEAL, Radiator Shroud, Lower
21	5202 8238	1		EN0		SEAL, Crossmember
22	5202 8237	1		EN0		SEAL, Crossmember
23	6502 081	1		EN0		CLAMP, Oil Cooler Line
24	5202 8223	1		EN0		SEAL, Radiator Shroud
25	6503 998	5		EN0		NUT, U Multi Thread, M5 x .80
26	4886 243AA	1		EN0		SCREW
-27	52079 626AC	1		EN0		FAN MODULE, Radiator Cooling

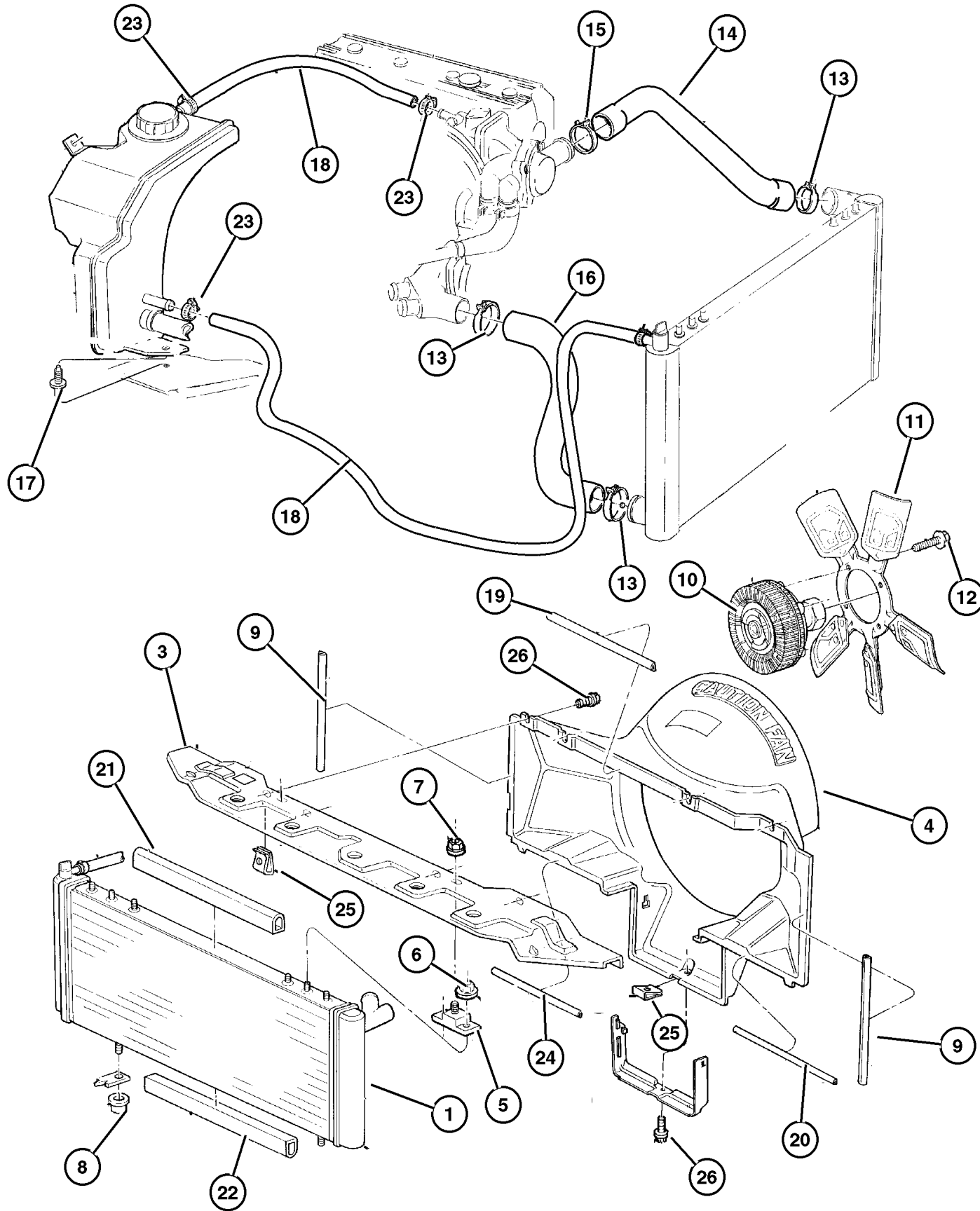
JEEP CHEROKEE (XJ)

SERIES	LINE	BODY	ENGINE	TRANSMISSION
P = Limited	J = LHD (4WD)	74=4 Dr. (101.4 WB)	ENC, EN0 = 2.5L 4 Cyl Turbo	DDD = 5 Speed Manual
S = Limited	U = RHD (4WD)	72=2 Dr. (101.4 WB)	ERH, ER0 = 4.0L Power Tech	DGS = 4 Speed Auto AISIN
H = Sport	T = LHD (2WD)			DG0 = All Automatic Trans
L = SE	B = RHD (2WD)			DBB = All Manual Trans

AR = Use as required - = Non illustrated part # = New this model year

May 2, 2002

Radiator and Related Parts, 2.5L Diesel Engine Figure 007-145



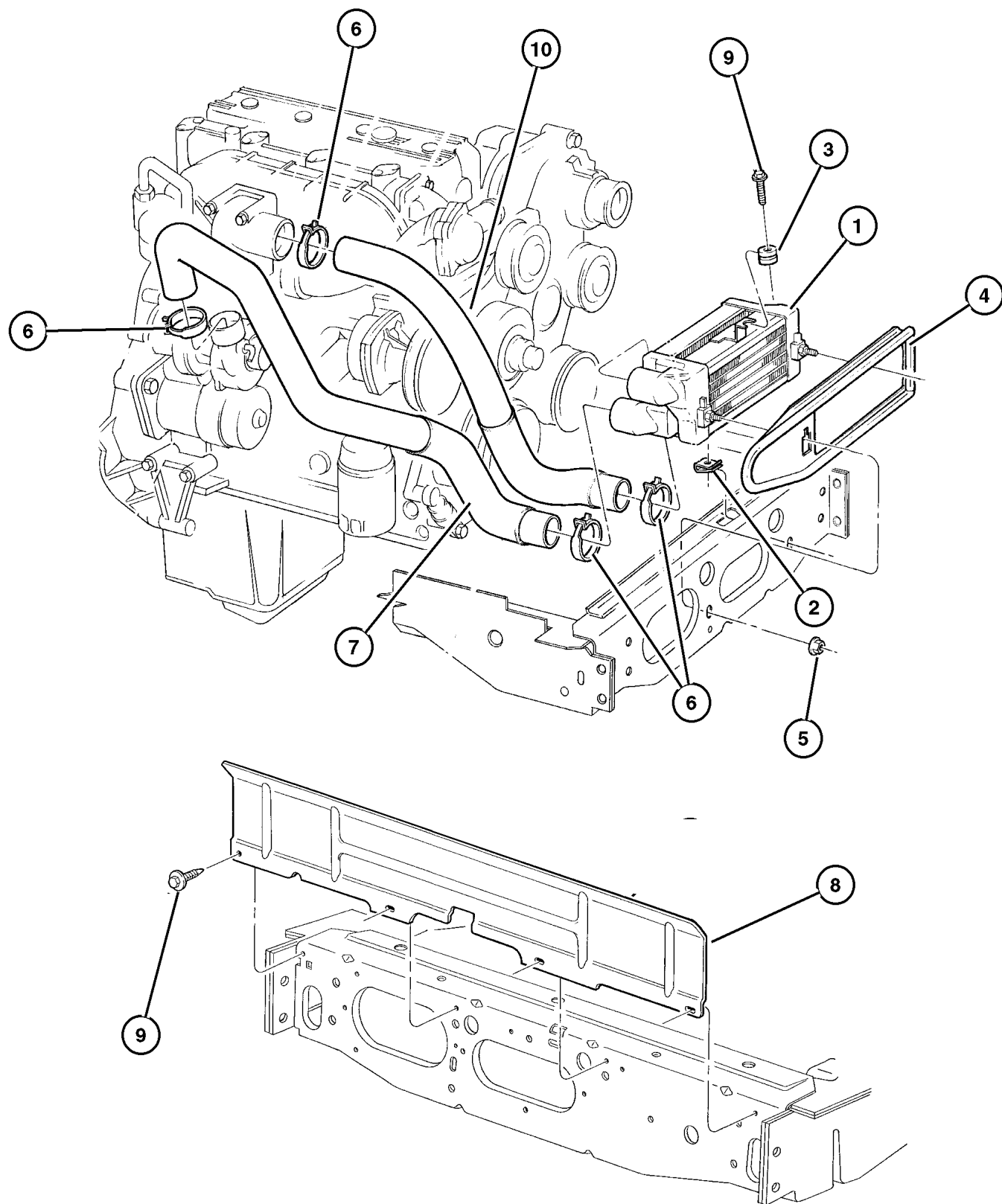
ITEM	PART NUMBER	QTY	LINE	ENGINE	TRANS	DESCRIPTION
-28	4644 269	1		EN0		DRAINCOCK, Radiator

JEEP CHEROKEE (XJ)				
SERIES	LINE	BODY	ENGINE	TRANSMISSION
P = Limited	J = LHD (4WD)	74=4 Dr. (101.4 WB)	ENC, EN0 = 2.5L 4 Cyl Turbo	DDD = 5 Speed Manual
S = Limited	U = RHD (4WD)	72=2 Dr. (101.4 WB)	ERH, ER0 = 4.0L Power Tech	DGS = 4 Speed Auto AISIN
H = Sport	T = LHD (2WD)			DG0 = All Automatic Trans
L = SE	B = RHD (2WD)			DBB = All Manual Trans

AR = Use as required - = Non illustrated part # = New this model year

May 2, 2002

Charge Air Cooler, 2.5L Diesel Engine Figure 007-147



ITEM	PART NUMBER	QTY	LINE	ENGINE	TRANS	DESCRIPTION
Note: Sales Code EN0 = 2.5L Diesel Engine are on The Truck						
1	5202 8089	1		EN0		COOLER, Engine Oil
2	6101 442	1		EN0		U-NUT, M6 x 1.00, M6x1.00
3	5202 8236	1		EN0		ISOLATOR
4	5202 8235	1		EN0		SEAL, Cooler
5	3420 1358	2				NUT AND WASHER, Hex Nut-Sealing Washer, M6 x 1.00
6	5202 8008	2		EN0		CLAMP, Hose, 64mm
7	5207 9581	1		EN0		HOSE, Charge Air Cooler
8	5202 8374	1		EN0		DEFLECTOR, Air
9						SCREW, (NOT SERVICED)
10	5207 9496	1		EN0		HOSE, Charge Air Cooler

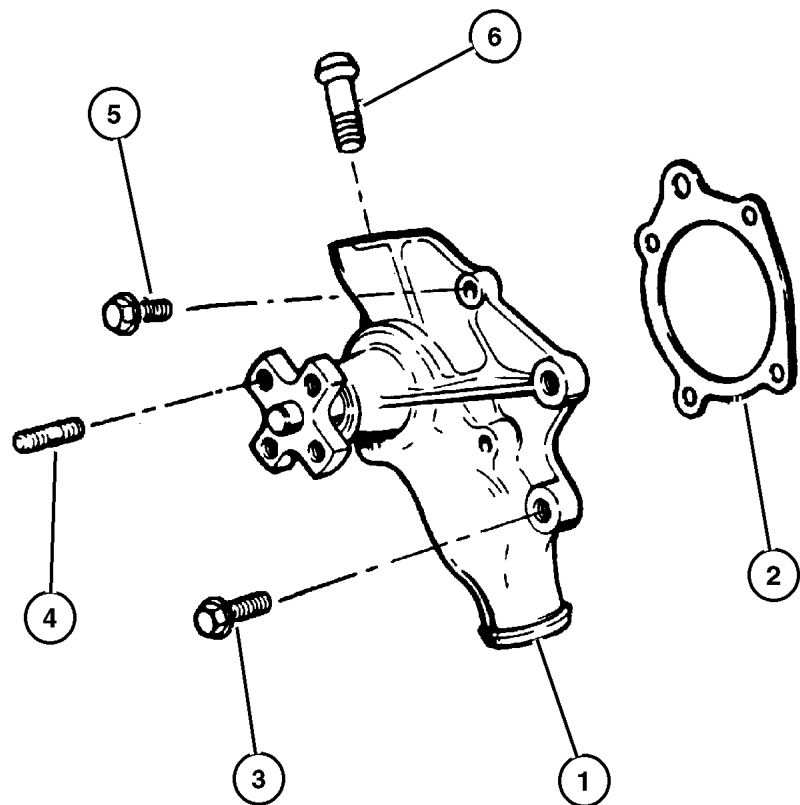
JEEP CHEROKEE (XJ)				
SERIES	LINE	BODY	ENGINE	TRANSMISSION
P = Limited	J = LHD (4WD)	74=4 Dr. (101.4 WB)	ENC, EN0 = 2.5L 4 Cyl Turbo	DDD = 5 Speed Manual
S = Limited	U = RHD (4WD)	72=2 Dr. (101.4 WB)	ERH, ER0 = 4.0L Power Tech	DGS = 4 Speed Auto AISIN
H = Sport	T = LHD (2WD)			DG0 = All Automatic Trans
L = SE	B = RHD (2WD)			DBB = All Manual Trans

AR = Use as required - = Non illustrated part # = New this model year

May 2, 2002

**Water Pump and Related Parts, 4.0L Gas Engines
Figure 007-210**

ITEM	PART NUMBER	QTY	LINE	ENGINE	TRANS	DESCRIPTION
Note: Sales Codes: are on The Truck						
EN0 = All Turbo Diesel Engines are on The Truck						
EP0 = All 2.5L 4 Cyl Gas Engines are on The Truck						
ER0 = All 4.0L 6 Cyl Gas Engines are on The Truck						
1	4626 215AE	1		ER0		PUMP PACKAGE, Water
2	5301 0419	1		ER0		GASKET, Water Pump
3						SCREW AND WASHER, Hex Head, .312-18x1.75, (NOT SERVICED)
4						STUD, .312-18/.312-24x1.250
	J400 6714	4		EP0		
		4		ER0		
5						SCREW AND WASHER, Hex Head, .312-18x1.12, (NOT SERVICED)
6	5300 7978	1		ER0		TUBE, Water Pump Heater Return



JEEP CHEROKEE (XJ)

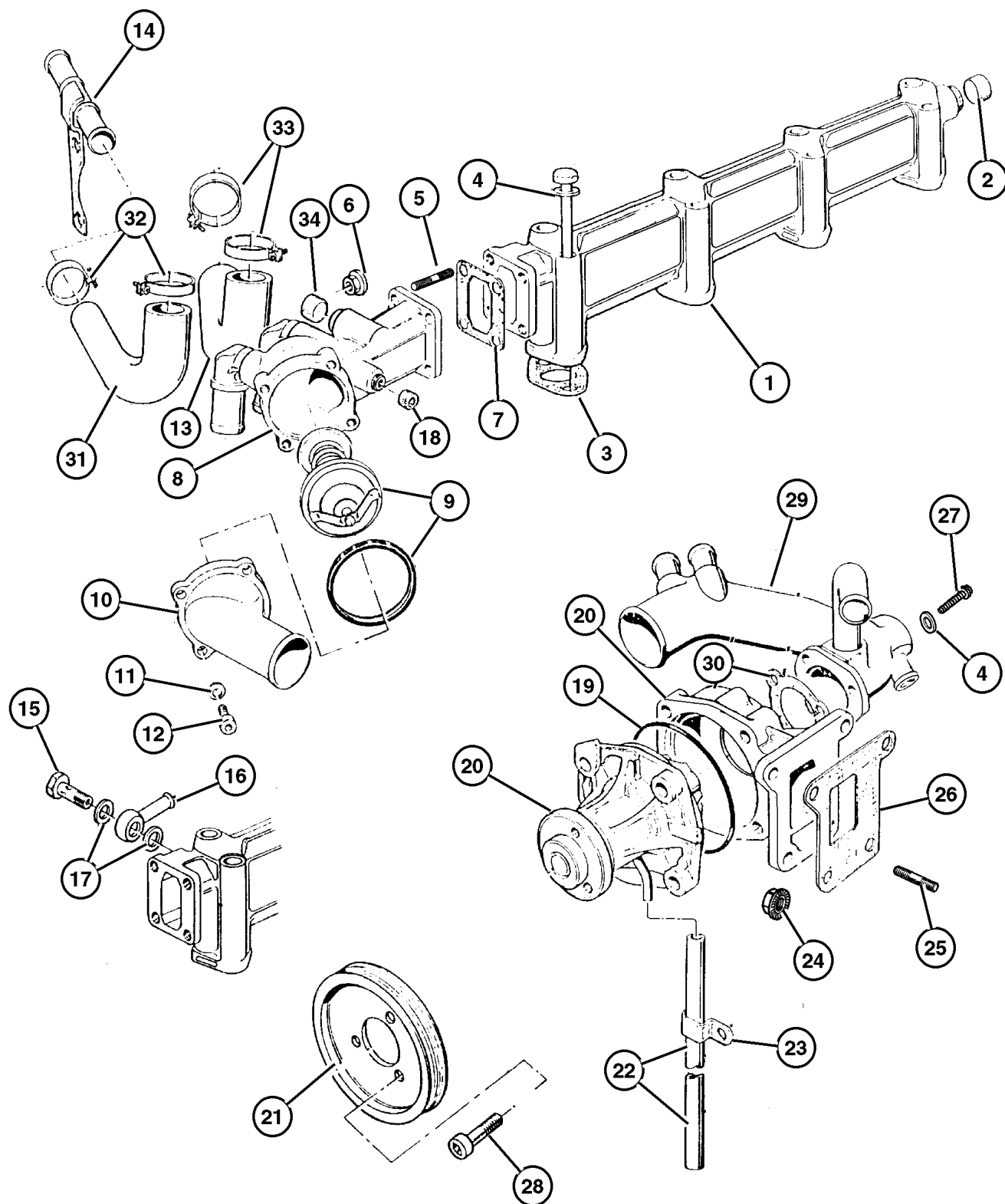
SERIES	LINE	BODY	ENGINE	TRANSMISSION
P = Limited	J = LHD (4WD)	74=4 Dr. (101.4 WB)	ENC, EN0 = 2.5L 4 Cyl Turbo	DDD = 5 Speed Manual
S = Limited	U = RHD (4WD)	72=2 Dr. (101.4 WB)	ERH, ER0 = 4.0L Power Tech	DGS = 4 Speed Auto AISIN
H = Sport	T = LHD (2WD)			DG0 = All Automatic Trans
L = SE	B = RHD (2WD)			DBB = All Manual Trans

AR = Use as required - = Non illustrated part # = New this model year

May 2, 2002

Water Pump and Water Manifold, 2.5L Diesel Engine Figure 007-215

ITEM	PART NUMBER	QTY	LINE	ENGINE	TRANS	DESCRIPTION
Note: Sales Code EN0 = 2.5L Diesel Engine are on The Truck						
1	4797 748	1		EN0		MANIFOLD, Water
2	4864 753	1		EN0		PLUG
3	4720 450	4		EN0		GASKET, Water Manifold
4	4720 305	2		EN0		WASHER, Plain
5	4797 764	4		EN0		STUD, M6x14
6	4778 936	4		EN0		NUT, Suction Pipe Attaching
7	4778 971	1		EN0		GASKET, Thermostat
8	4778 974AB	1		EN0		HOUSING, Thermostat
9	4778 975	1		EN0		THERMOSTAT
10	4778 976	1		EN0		COVER, Thermostat Housing
11	4720 305	2		EN0		WASHER, Plain
12	4720 658	4		EN0		SCREW, Intake Manifold Elbow
13	4778 977	1		EN0		HOSE, Water Pump Bypass
14	4778 980	1		EN0		TUBE, Heater Feed
15	4720 358	5		EN0		BOLT, Banjo
16	4797 755	1		EN0		BANJO, Air Bleed
17	4720 554	10		EN0		WASHER, Banjo
18						PLUG, Water Manifold, (NOT SERVICED)
19	4723 198	1		EN0		O RING, Water Pump
20	4864 566	1		EN0		PUMP, Water
21	4864 567	1		EN0		PULLEY, Water Pump
22	4720 438	1		EN0		PIPE, Water Pump Drain
23	4720 446	1		EN0		CLIP, Drain Pipe
24	4778 961	5		EN0		NUT
25	4720 550	4		EN0		STUD, Water Pump To Block
26	4864 575	1		EN0		GASKET, Water Pump
27						SCREW, Water Pump To Pipe, (NOT SERVICED)
28	5003 554AA	3		EN0		SCREW
29						ADAPTER, Water Return To Pump, (NOT REQUIRED)
30	4864 575	1		EN0		GASKET, Water Pump
31	4883 431AA	1		EN0		HOSE, Heater Feed
32	4883 924AA	1		EN0		CLAMP, Heater Hose
33						CLAMP, Heater Hose, (NOT SERVICED)
34						PLUG, Water Manifold, (NOT SERVICED)



JEEP CHEROKEE (XJ)

SERIES	LINE	BODY	ENGINE	TRANSMISSION
P = Limited	J = LHD (4WD)	74=4 Dr. (101.4 WB)	ENC, EN0 = 2.5L 4 Cyl Turbo	DDD = 5 Speed Manual
S = Limited	U = RHD (4WD)	72=2 Dr. (101.4 WB)	ERH, ER0 = 4.0L Power Tech	DGS = 4 Speed Auto AISIN
H = Sport	T = LHD (2WD)			DG0 = All Automatic Trans
L = SE	B = RHD (2WD)			DBB = All Manual Trans

AR = Use as required - = Non illustrated part # = New this model year

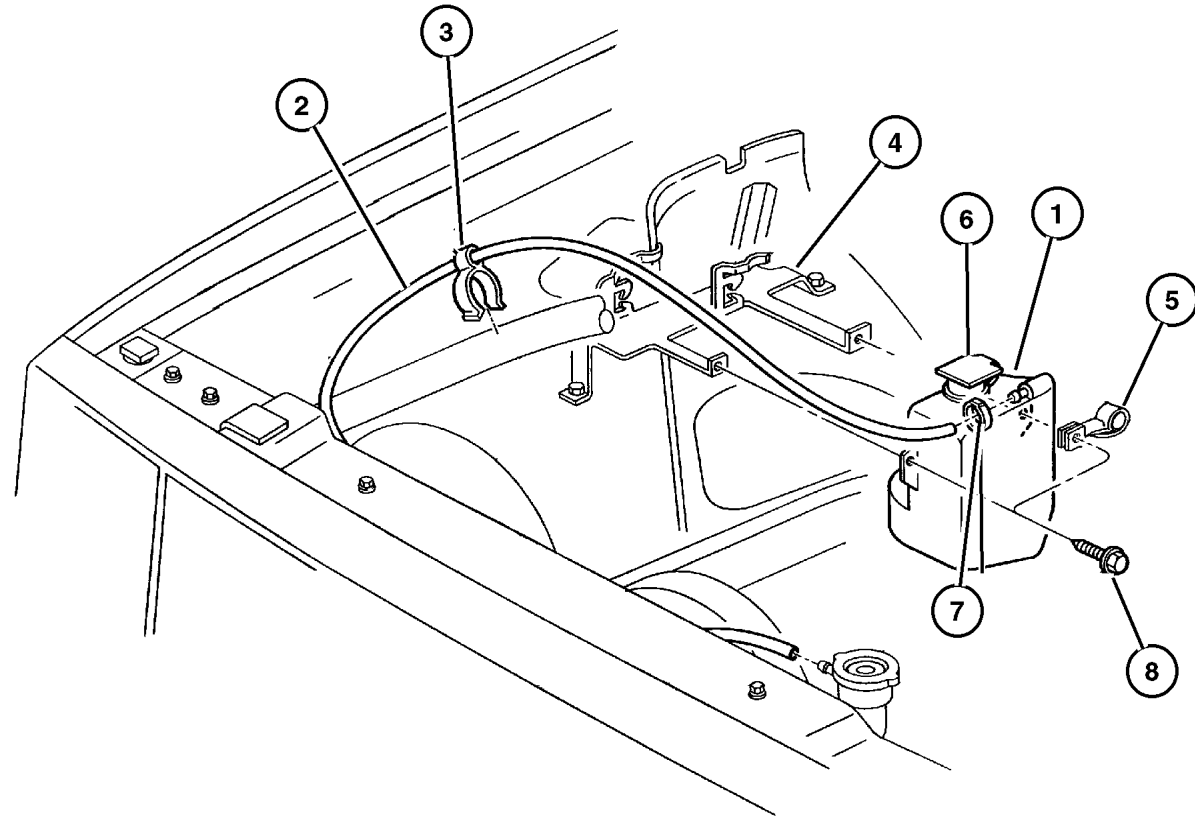
May 2, 2002

**Bottle, Coolant Recovery, LHD
Figure 007-305**

ITEM	PART NUMBER	QTY	LINE	ENGINE	TRANS	DESCRIPTION
------	-------------	-----	------	--------	-------	-------------

Note: Sales Code EN0 = 2.5L Diesel Engine are on The Truck
 Note: Sales Code EP0 = 2.5L Gas Engine are on The Truck
 Note: Sales Code ER0 = 4.0L Engine are on The Truck
 Note: Sales Code DD0 = Manual Trans. are on The Truck

1	5202 7984	1		EP0, ER0		TANK, Coolant Reserve
2	4026 148	1	J, T	ER0		HOSE, Coolant Reserve Tank
		1	B, U	ER0		
3	5200 7404	1		ER0		CLIP, Hose
	6034 648	2		EP0		
4	5600 8885	1	J, T	EP0, ER0		BRACKET, Power Distribution Center
5						CLIP, Cable, (NOT SERVICED)
6	5207 9331	1		EP0, ER0		CAP, Coolant Reserve Tank
7		3	B, U			CLAMP, Hose
	2448 770	2	J, T	ER0		
8						SCREW, (NOT SERVICED)



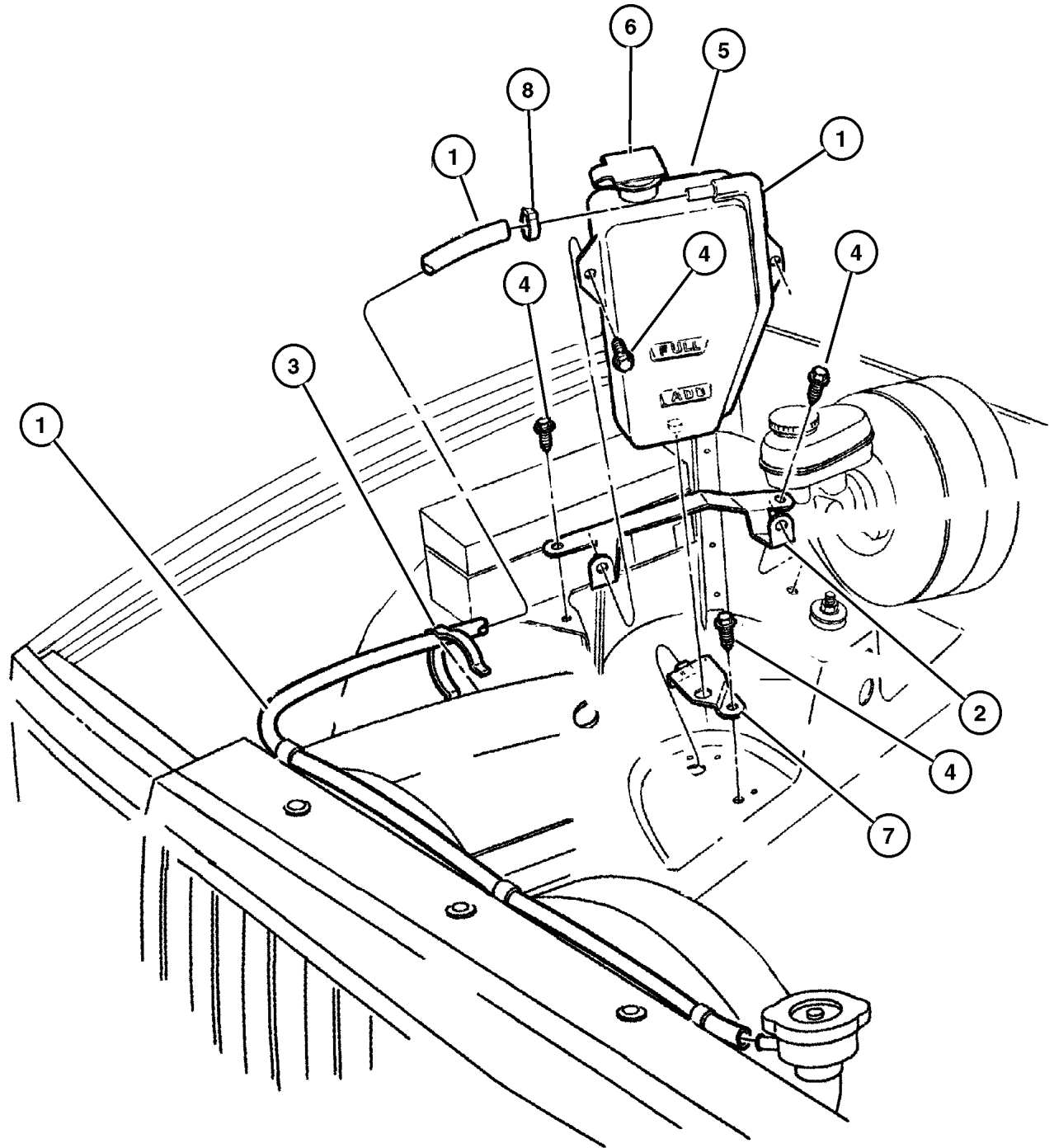
JEEP CHEROKEE (XJ)

SERIES	LINE	BODY	ENGINE	TRANSMISSION
P = Limited	J = LHD (4WD)	74=4 Dr. (101.4 WB)	ENC, EN0 = 2.5L 4 Cyl Turbo	DDD = 5 Speed Manual
S = Limited	U = RHD (4WD)	72=2 Dr. (101.4 WB)	ERH, ER0 = 4.0L Power Tech	DGS = 4 Speed Auto AISIN
H = Sport	T = LHD (2WD)			DG0 = All Automatic Trans
L = SE	B = RHD (2WD)			DBB = All Manual Trans

AR = Use as required - = Non illustrated part # = New this model year

May 2, 2002

Bottle, Coolant Recovery, RHD
Figure 007-310



ITEM	PART NUMBER	QTY	LINE	ENGINE	TRANS	DESCRIPTION
Note: Sales Code EN0 = 2.5L Diesel Engine are on The Truck						
Note: Sales Code EP0,EPE = 2.5L Gas Engine are on The Truck						
Note: Sales Code ER0 = 4.0L Engine are on The Truck						
1	4026 148	1	B, U	ER0		HOSE, Coolant Reserve Tank
2	5202 8346	1	B, U	EP0, ER0		BRACKET, Coolant Recovery Bottle
3	5200 7404	1		ER0		CLIP, Hose
4	6100 557	1	B, U	EPE, ER0		BOLT AND CONED WASHER, Hex Head, M6x20x14
5	5202 7984	1		EP0, ER0		TANK, Coolant Reserve
6	5207 9331	1		EP0, ER0		CAP, Coolant Reserve Tank
7	5202 8347	1	B, U	EP0, ER0		BRACKET, Coolant Recovery Bottle
8	2448 761	1	J, T	EP0		CLAMP, Hose
		1	B, U	EP0		

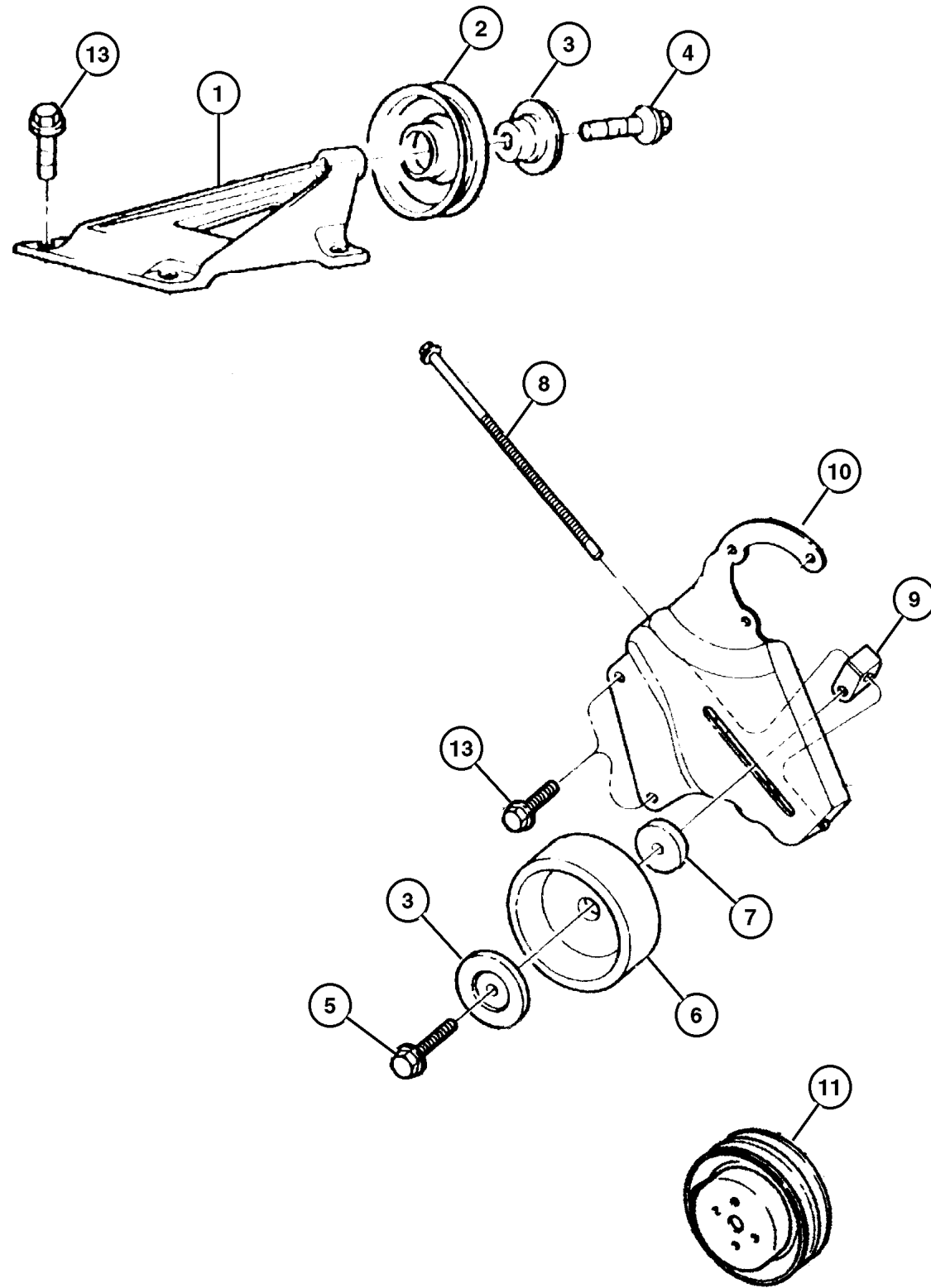
JEEP CHEROKEE (XJ)

SERIES	LINE	BODY	ENGINE	TRANSMISSION
P = Limited	J = LHD (4WD)	74=4 Dr. (101.4 WB)	ENC, EN0 = 2.5L 4 Cyl Turbo	DDD = 5 Speed Manual
S = Limited	U = RHD (4WD)	72=2 Dr. (101.4 WB)	ERH, ER0 = 4.0L Power Tech	DGS = 4 Speed Auto AISIN
H = Sport	T = LHD (2WD)			DG0 = All Automatic Trans
L = SE	B = RHD (2WD)			DBB = All Manual Trans

AR = Use as required - = Non illustrated part # = New this model year

May 2, 2002

Drive Pulleys, 4.0L Engine, LHD
Figure 007-408

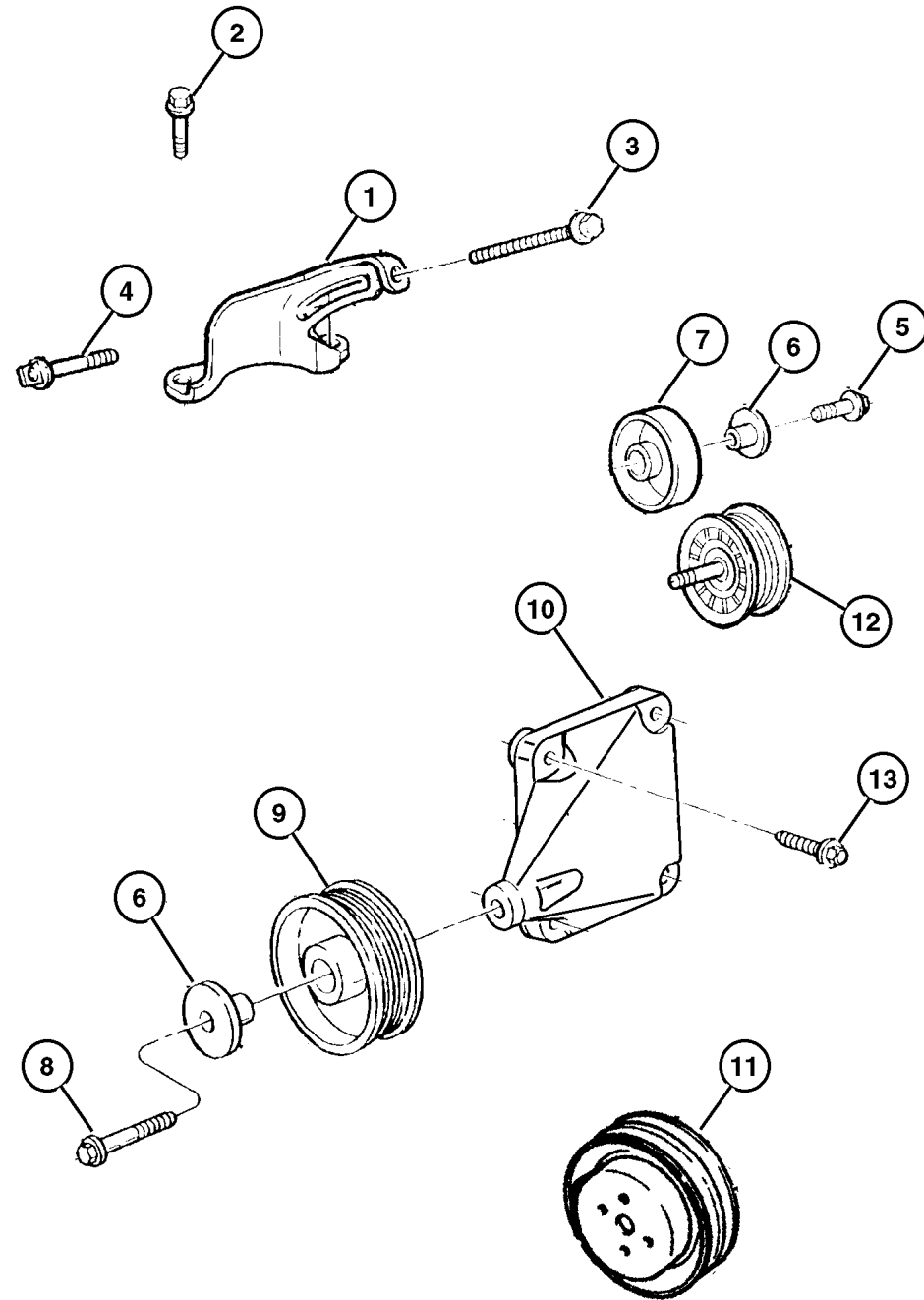


ITEM	PART NUMBER	QTY	LINE	ENGINE	TRANS	DESCRIPTION
Note: Sales Code ER0 = 4.0L Engine are on The Truck						
1	5300 6551	1	J, T	ER0		BRACKET, Idler Pulley
2	5300 2903	1		ER0		PULLEY, Idler
3	3300 2201	1	J, T	ER0		BUSHING, Idler Pulley
4	6504 239	1	J, T	ER0		SCREW AND WASHER, M10x1.5x40
5	3420 2029	1	J, T	ER0		BOLT, Hex Flange Head, M10x1.50x50
6	4792 112	1	J, T	ER0		PULLEY, Idler
7	6503 230	1	J, T	ER0		SPACER, Belt Tensioner
8	6503 198	1	J, T	ER0		BOLT
9	5301 0149	1	J, T	ER0		COLLAR, Tensioner Adjustment
10	5301 0148	1	J, T	ER0		BRACKET, Tensioner
11	5300 2907	1	J, T	ER0		PULLEY, Water Pump
-12	5301 0309	1	J, T	ER0		PULLEY, Fan
13						SCREW, (NOT SERVICED)

JEEP CHEROKEE (XJ)				
SERIES	LINE	BODY	ENGINE	TRANSMISSION
P = Limited	J = LHD (4WD)	74=4 Dr. (101.4 WB)	ENC, EN0 = 2.5L 4 Cyl Turbo	DDD = 5 Speed Manual
S = Limited	U = RHD (4WD)	72=2 Dr. (101.4 WB)	ERH, ER0 = 4.0L Power Tech	DGS = 4 Speed Auto AISIN
H = Sport	T = LHD (2WD)			DG0 = All Automatic Trans
L = SE	B = RHD (2WD)			DBB = All Manual Trans

AR = Use as required - = Non illustrated part # = New this model year

Drive Pulleys, 4.0L Engine, RHD
Figure 007-409



ITEM	PART NUMBER	QTY	LINE	ENGINE	TRANS	DESCRIPTION
Note: Sales Codes: are on The Truck						
EN0 = All Turbo Diesel Engines are on The Truck						
EP0 = All 2.5L 4 Cyl Gas Engines are on The Truck						
ER0 = All 4.0L 6 Cyl Gas Engines are on The Truck						
1	53010 190AC	1	B, U	ER0		BRACKET, Tensioner
2	6502 144	2	B, U	ER0		SCREW AND WASHER, Hex Head, M10x1.5x25
3	6502 929	1	B, U	ER0		SCREW AND WASHER, Hex Head, M8x1.25x110
4	6502 592	1	B, U	ER0		SCREW, M8x1.25 Tapped Head, M10x1.5x50
5	6502 137	2	B, U	EP0, ER0		BOLT, Hex Flange Head, M10x1.50x35
6	3300 2201	1	B, U	ER0		BUSHING, Idler Pulley
7	5301 0230	1	B, U	ER0		PULLEY, Idler
8	6034 497	1	B, U	ER0		BOLT AND WASHER, Hex Head, .375-16x2.375
9	5300 2903	1		ER0		PULLEY, Idler
10	5301 0163	1	B, U	ER0		BRACKET, Fan
11	5300 2907	1	B, U	ER0		PULLEY, Water Pump
12	53010 228AB	1	B, U	ER0		PULLEY, Idler
13						SCREW, (NOT SERVICED)

JEEP CHEROKEE (XJ)

SERIES	LINE	BODY	ENGINE	TRANSMISSION
P = Limited	J = LHD (4WD)	74=4 Dr. (101.4 WB)	ENC, EN0 = 2.5L 4 Cyl Turbo	DDD = 5 Speed Manual
S = Limited	U = RHD (4WD)	72=2 Dr. (101.4 WB)	ERH, ER0 = 4.0L Power Tech	DGS = 4 Speed Auto AISIN
H = Sport	T = LHD (2WD)			DG0 = All Automatic Trans
L = SE	B = RHD (2WD)			DBB = All Manual Trans

AR = Use as required - = Non illustrated part # = New this model year

May 2, 2002

Drive Pulleys, 2.5L Diesel Engine
Figure 007-415

ITEM	PART NUMBER	QTY	LINE	ENGINE	TRANS	DESCRIPTION
------	-------------	-----	------	--------	-------	-------------

Note: Sales Code EN0 = 2.5L Diesel Engine are on The Truck

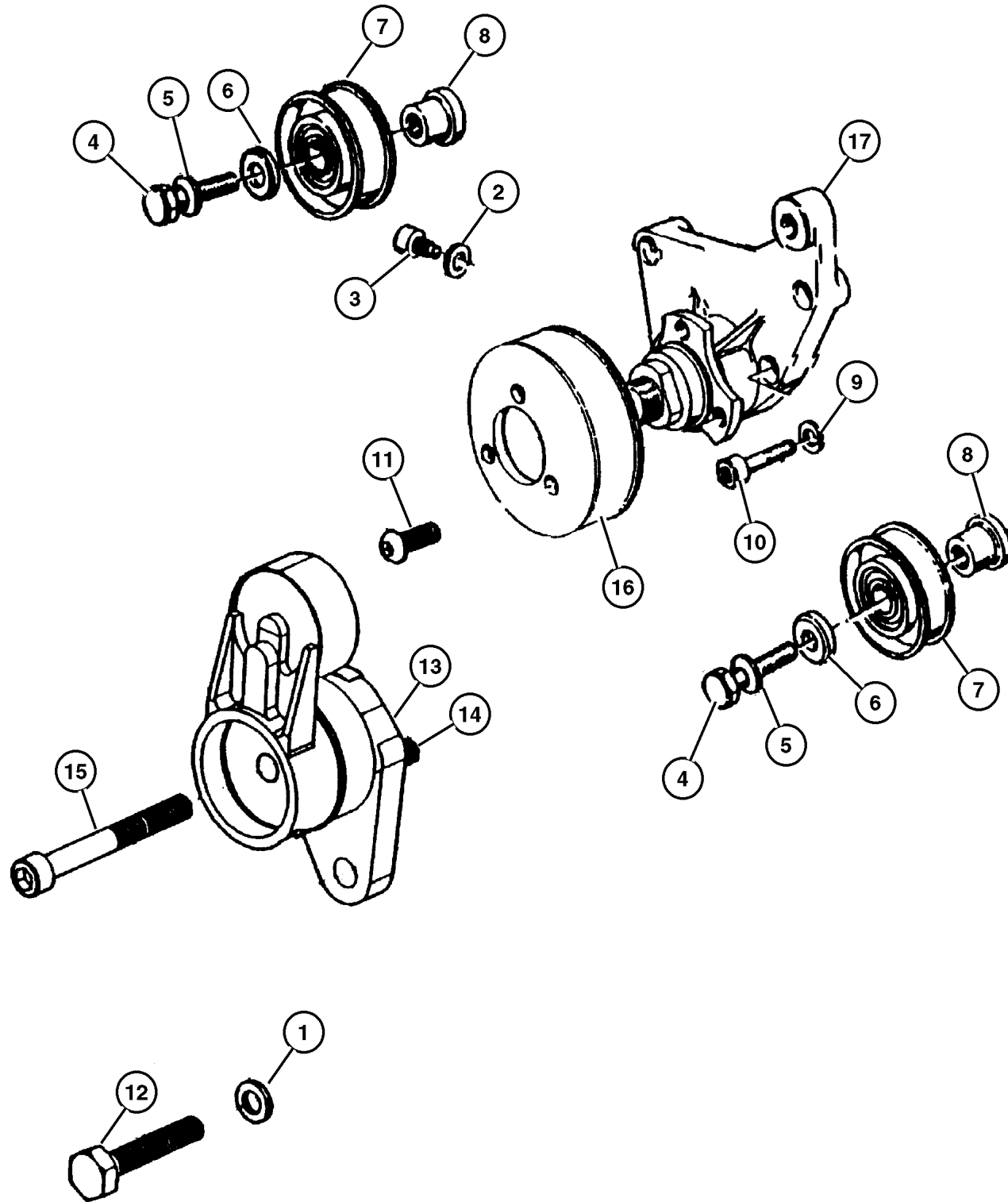
1	4864 758	2		EN0		WASHER
2	4723 200	1		EN0		WASHER, Flat
3	4796 030	1		EN0		SCREW, Fan Bearing
4						BOLT, Left Hand Thread, M10x50, (NOT SERVICED)
5	4720 243	2		EN0		WASHER, Lock, M10
6						WASHER, Idler Pulley, (NOT SERVICED)
7	5003 567AA	2		EN0		PULLEY, Idler
8						SHAFT, Idler Pulley, (NOT SERVICED)
9	4720 688	4		EN0		WASHER, Flat
10	4797 768	4		EN0		BOLT, Vacuum Pump Bracket, M10x35
11	4863 752	2		EN0		SCREW
12	5003 536AA	1		EN0		BOLT, Belt Tensioner
13	4897 159AB	1		EN0		TENSIONER, Belt
14	4883 528AA	1		EN0		BOLT, Adaptor Plate
15	4886 053AA	1		EN0		BOLT, Belt Tensioner
16	4883 491AA	1		EN0		PULLEY, Fan
17	5003 566AA	1		EN0		BRACKET, Fan

JEEP CHEROKEE (XJ)

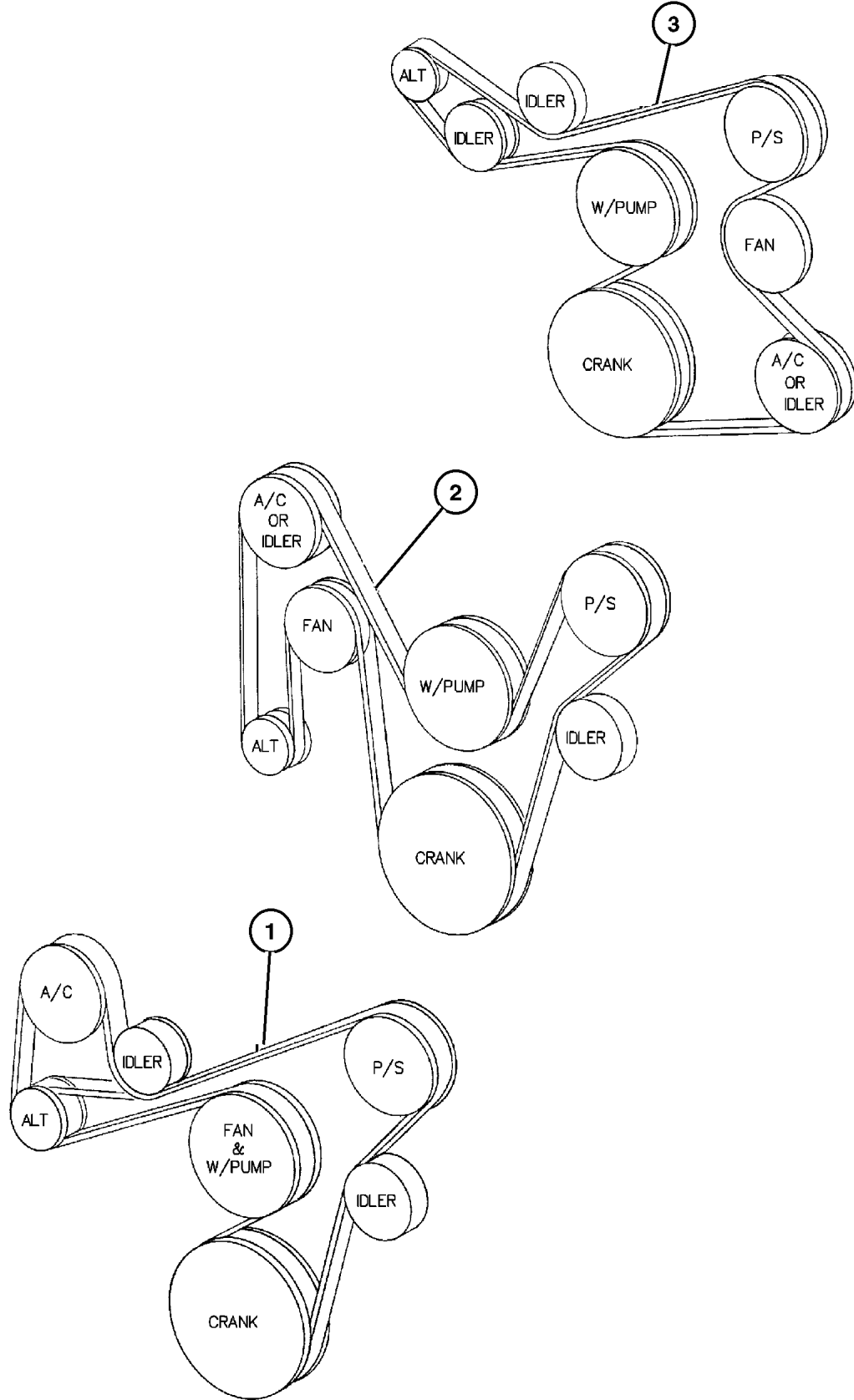
SERIES	LINE	BODY	ENGINE	TRANSMISSION
P = Limited	J = LHD (4WD)	74=4 Dr. (101.4 WB)	ENC, EN0 = 2.5L 4 Cyl Turbo	DDD = 5 Speed Manual
S = Limited	U = RHD (4WD)	72=2 Dr. (101.4 WB)	ERH, ER0 = 4.0L Power Tech	DGS = 4 Speed Auto AISIN
H = Sport	T = LHD (2WD)			DG0 = All Automatic Trans
L = SE	B = RHD (2WD)			DBB = All Manual Trans

AR = Use as required - = Non illustrated part # = New this model year

May 2, 2002



Drive Belts Figure 007-510



ITEM	PART NUMBER	QTY	LINE	ENGINE	TRANS	DESCRIPTION
------	-------------	-----	------	--------	-------	-------------

Note: Sales Code EN0 = 2.5L Diesel Engine are on The Truck

Note: Sales Code EP0 = 2.5L Gas Engine are on The Truck

Note: Sales Code ER0 = 4.0L Engine are on The Truck

1	4883 445AA	1		EN0		BELT, Accessory Drive
2	5301 0314	1	J, T	ER0		BELT, Accessory Drive, 4.0L Engine
3	5301 0234	1	B, U	ER0		BELT, Accessory Drive, 4.0L Engine
-4						LABEL, Belt Routing
	5301 0297	1	B, U	ER0		
	5301 0299	1	J, T	ER0		
	5304 0078	1		EN0		

JEEP CHEROKEE (XJ)

SERIES	LINE	BODY	ENGINE	TRANSMISSION
P = Limited	J = LHD (4WD)	74=4 Dr. (101.4 WB)	ENC, EN0 = 2.5L 4 Cyl Turbo	DDD = 5 Speed Manual
S = Limited	U = RHD (4WD)	72=2 Dr. (101.4 WB)	ERH, ER0 = 4.0L Power Tech	DGS = 4 Speed Auto AISIN
H = Sport	T = LHD (2WD)			DG0 = All Automatic Trans
L = SE	B = RHD (2WD)			DBB = All Manual Trans

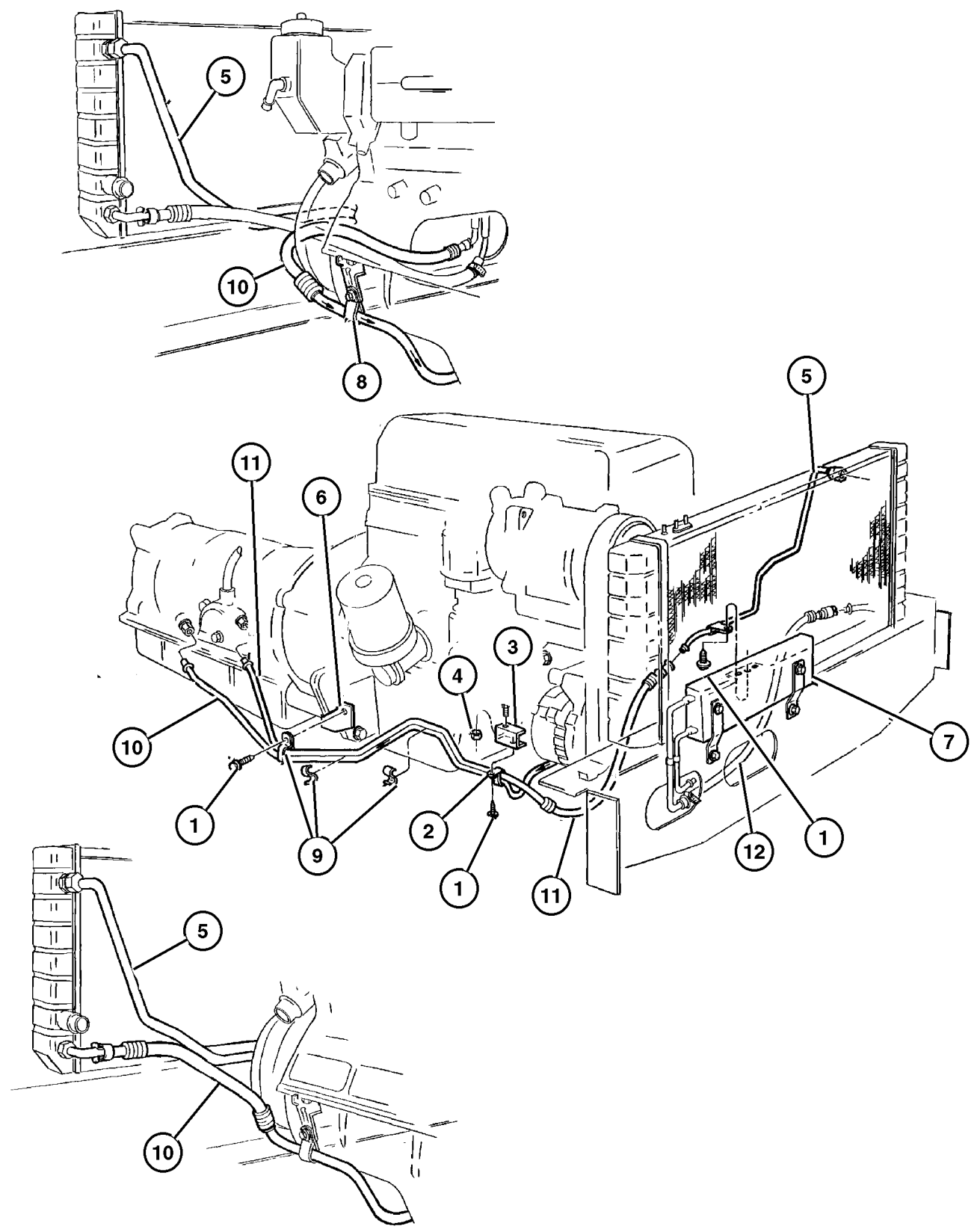
AR = Use as required - = Non illustrated part # = New this model year

May 2, 2002

Oil Cooler Lines, LHD Figure 007-610

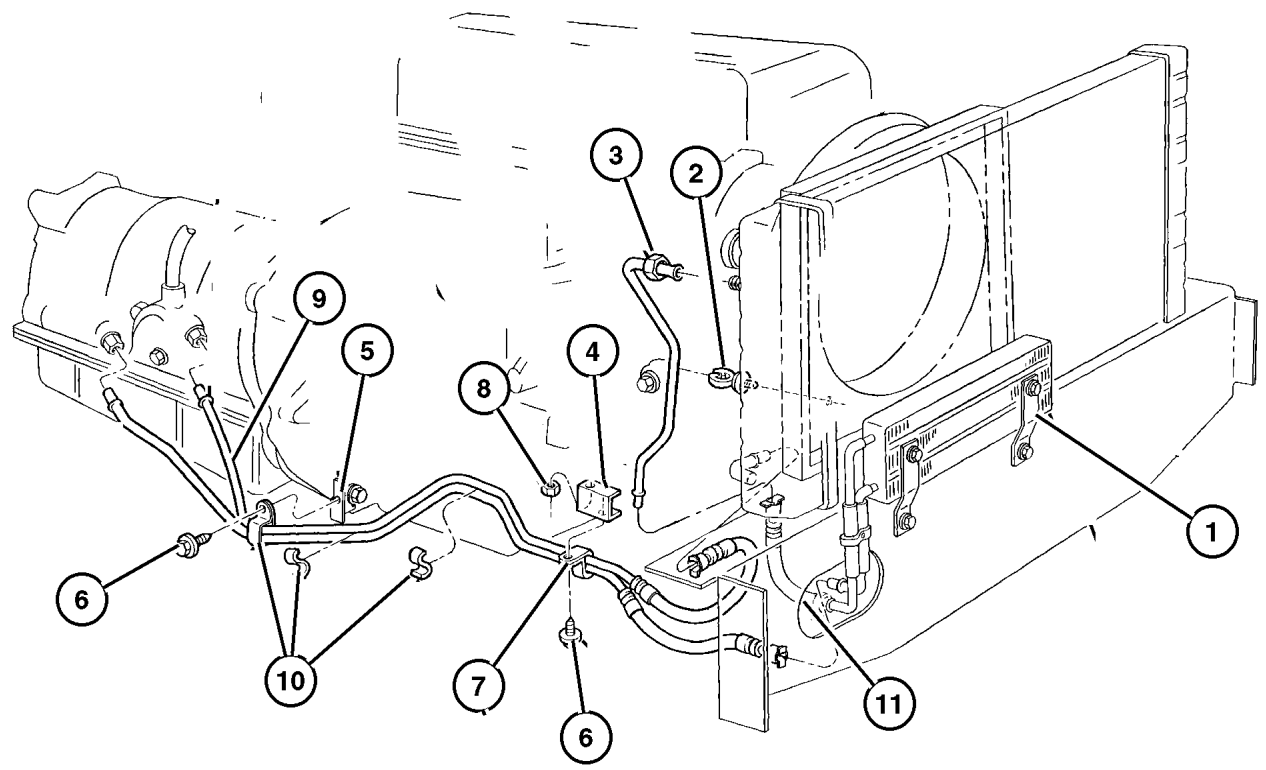
ITEM	PART NUMBER	QTY	LINE	ENGINE	TRANS	DESCRIPTION
Note: Sales Code DGB = Manual Trans are on The Truck						
Note: Sales Code DG0 = All Auto Trans are on The Truck						
Note: Sales Code EN0 = 2.5L Diesel Engine are on The Truck						
Note: Sales Code EP0 = 2.5L Gas Engine are on The Truck						
Note: Sales Code ER0 = 4.0L Engine are on The Truck						
1	6035 058	3	J, T	ER0		SCREW, Hex Flange Head, .19-16x.50
2	3420 2698	1		ER0	DG0	CLIP, Oil Tube
3	5300 4990	1		ER0	DG0	BRACKET, Oil Cooler Tube
4	6033 560	1				NUT AND WASHER, Hex Nut-Coned Washer, .25-20
5	5202 8328	1	B, U	ER0	DG0	TUBE, Supply
6	5300 4631	1		ER0	DG0	BRACKET, Oil Cooler Tube
7	52028 517AC	1	B, U	ER0		COOLER, Transmission Oil
8	3420 2697	2	J, T	ER0	DG0	CLIP, Oil Cooler Tube
9						CLIP, (NOT SERVICED)
10	52028 566AD	1	J, T	ER0	DG0	TUBE AND HOSE, Return
11	52028 605AD	1	J, T	ER0	DG0	TUBE AND HOSE, Supply
12	5003 096AC	1	J, T	ER0	DG0	HOSE AND CONNECTOR, Oil Cooler

JEEP CHEROKEE (XJ)				
SERIES	LINE	BODY	ENGINE	TRANSMISSION
P = Limited	J = LHD (4WD)	74=4 Dr. (101.4 WB)	ENC, EN0 = 2.5L 4 Cyl Turbo	DDD = 5 Speed Manual
S = Limited	U = RHD (4WD)	72=2 Dr. (101.4 WB)	ERH, ER0 = 4.0L Power Tech	DGS = 4 Speed Auto AISIN
H = Sport	T = LHD (2WD)			DG0 = All Automatic Trans
L = SE	B = RHD (2WD)			DBB = All Manual Trans



Oil Cooler Lines, RHD Figure 007-620

ITEM	PART NUMBER	QTY	LINE	ENGINE	TRANS	DESCRIPTION
Note: Sales Code ER0 = 4.0L Engine are on The Truck						
Note: Sales Code DG0 = All Auto Trans are on The Truck						
1	52028 517AC	1	B, U	ER0		COOLER, Transmission Oil
2	3200 0404	3	B, U			CLIP, Tube
3	5202 8310	1	B, U	ER0	DG0	TUBE, Oil Cooler
4	5300 4990	1		ER0	DG0	BRACKET, Oil Cooler Tube
5	5300 4631	1		ER0	DG0	BRACKET, Oil Cooler Tube
6	6035 058	4		ER0	DG0	SCREW, Hex Flange Head, .19-16x.50
7	3420 2698	1		ER0	DG0	CLIP, Oil Tube
8	6033 560	1				NUT AND WASHER, Hex Nut-Coned Washer, .25-20
9	5202 8310	1	B, U	ER0	DG0	TUBE, Oil Cooler
10						CLIP, (NOT SERVICED)
11	5015 643AA	1	B, U	ER0		HOSE AND CONNECTOR, Oil Cooler
-12	52028 567AC	1	B, U	ER0	DG0	TUBE AND HOSE, Return
-13	52028 561AC	1	B, U	ER0	DG0	TUBE AND HOSE, Oil Cooler, Pressure



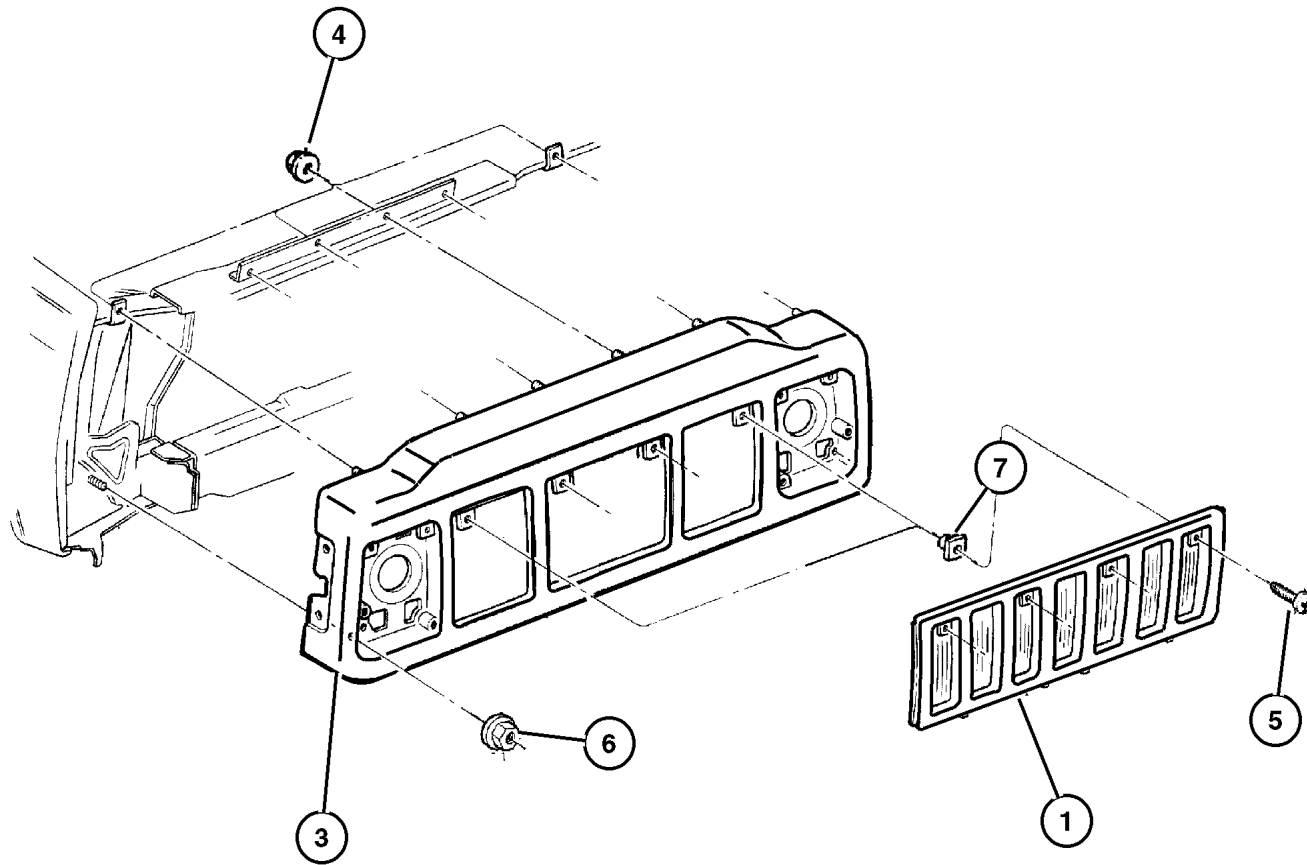
JEEP CHEROKEE (XJ)				
SERIES	LINE	BODY	ENGINE	TRANSMISSION
P = Limited	J = LHD (4WD)	74=4 Dr. (101.4 WB)	ENC, EN0 = 2.5L 4 Cyl Turbo	DDD = 5 Speed Manual
S = Limited	U = RHD (4WD)	72=2 Dr. (101.4 WB)	ERH, ER0 = 4.0L Power Tech	DGS = 4 Speed Auto AISIN
H = Sport	T = LHD (2WD)			DG0 = All Automatic Trans
L = SE	B = RHD (2WD)			DBB = All Manual Trans

AR = Use as required - = Non illustrated part # = New this model year

May 2, 2002

**Grille and Related Parts
Figure 007-710**

ITEM	PART NUMBER	QTY	LINE	ENGINE	TRANS	DESCRIPTION
Note: Sales Code EN0 = 2.5L Diesel Engine are on The Truck						
1						GRILLE, Radiator
	5505 5150	1				[MFF] Sport and SE Model
	55156 028AA	1				[MFM] Chrome/Black
	5EM6 5XBQ	1				[MFK], [BQ]
	5EM6 5DX8	1				[MFK], [X8]
	5EM6 5PR4	1				[MFK], [R4]
	5EM6 5SG8	1				[MFK], [G8]
	5EM6 5SW1	1				[MFK], [W1]
	5EM6 5VYH	1				[MFK], [YH]
	5EM6 5WBT	1				[MFK], [BT]
	5EM6 5WU7	1				[MFK], [U7]
	5EM6 5XS5	1				[MFK], [S5]
	5EM6 5XV3	1				[MFK], [V3]
-2	5202 8374	1		EN0		DEFLECTOR, Air
3	55055 233AD	1				PANEL, Grille Opening
4						NUT, Hex, M6x1.00, (NOT SERVICED)
5	6034 204	4				SCREW, Pan Head, #6 HiLo
6						NUT AND WASHER, Hex Nut-Coned Washer, M6 x 1.00, (NOT SERVICED)
7	6035 657	4				NUT, Plastic Snap-In, For .164-15 Screw



JEEP CHEROKEE (XJ)

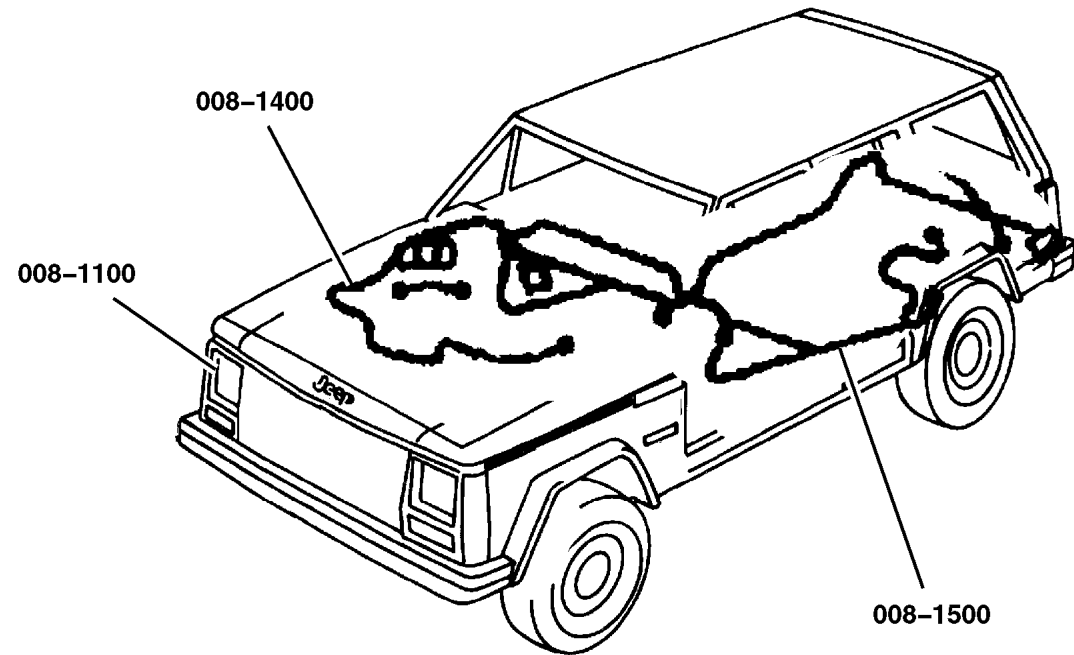
SERIES	LINE	BODY	ENGINE	TRANSMISSION
P = Limited	J = LHD (4WD)	74=4 Dr. (101.4 WB)	ENC, EN0 = 2.5L 4 Cyl Turbo	DDD = 5 Speed Manual
S = Limited	U = RHD (4WD)	72=2 Dr. (101.4 WB)	ERH, ER0 = 4.0L Power Tech	DGS = 4 Speed Auto AISIN
H = Sport	T = LHD (2WD)			DG0 = All Automatic Trans
L = SE	B = RHD (2WD)			DBB = All Manual Trans

AR = Use as required - = Non illustrated part # = New this model year

May 2, 2002

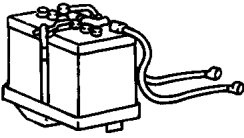
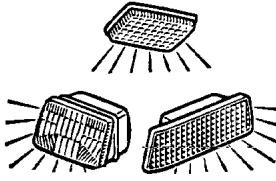
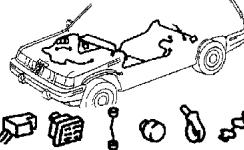

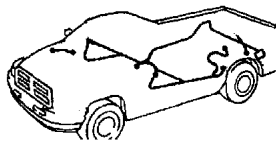
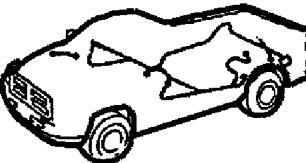
Group – 008

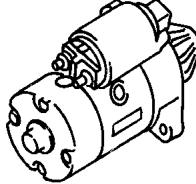
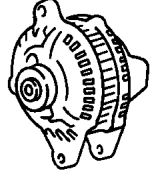
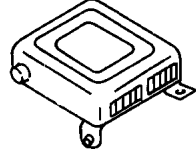
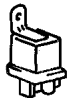
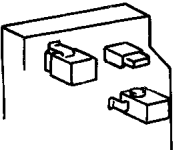
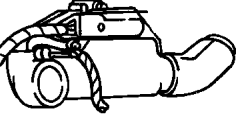
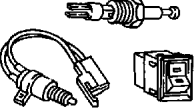
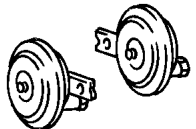
Electrical



Group – 008

Electrical

008-1000 Battery Tray and Cables 	008-1100 Lamps – Front, Rear and Courtesy 	008-1200 Wiring-Engine & Related Parts 	008-1300 Wiring-Headlamp to Dash 
008-1400 Wiring-Instrument Panel WIRING INSTR. PANEL	008-1500 Wiring-Body & Accessories 	008-1600 Wiring Repair WIRING REPAIR PKG.	008-1900 Spark Plugs-Cables-Coils 

008-100 Starters 	008-200 Alternators 	008-400 Modules 	008-500 Relays 
008-600 Sensors 	008-700 Single Board Engine Controllers 	008-800 Switches 	008-900 Horns 

GROUP 8 - Electrical

Illustration Title	Group-Fig. No.
Starters	
Starter and Mounting (4.0L Engine)	Fig. 008-105
Starter and Mounting (Diesel Engine)	Fig. 008-110
Alternators	
Alternator 4.0L Engine (R.H.D.)	Fig. 008-205
Alternator 4.0L Engine (L.H.D.)	Fig. 008-207
Alternator Diesel Engine	Fig. 008-210
Modules	
Modules	Fig. 008-405
Relays	
Power Distribution Center Relays and Fuses	Fig. 008-505
Junction Block Relays and Fuses	Fig. 008-510
Sensors	
Sensors Engine 4.0L	Fig. 008-605
Sensors Engine 2.5L Diesel	Fig. 008-610
Sensors Drivetrain	Fig. 008-615
Sensors Body	Fig. 008-620
Single Board Engine Controllers	
Single Board Engine Controllers	Fig. 008-710
Switches	
Switches Instrument Panel and Console	Fig. 008-805
Switches Drivetrain	Fig. 008-810
Switches Body	Fig. 008-815
Horns	
Horns	Fig. 008-910
Battery Tray and Cables	
Battery Tray	Fig. 008-1005
Battery Cables	Fig. 008-1010
Lamps - Front, Rear and Courtesy	
Lamps Fog	Fig. 008-1135
Lamps Front	Fig. 008-1140
Lamps Rear	Fig. 008-1155
Lamps Cargo - Dome - Underhood	Fig. 008-1165
Bulbs	Fig. 008-1170
Wiring-Engine & Related Parts	
Wiring Engine & Related Parts	Fig. 008-1210

GROUP 8 - Electrical

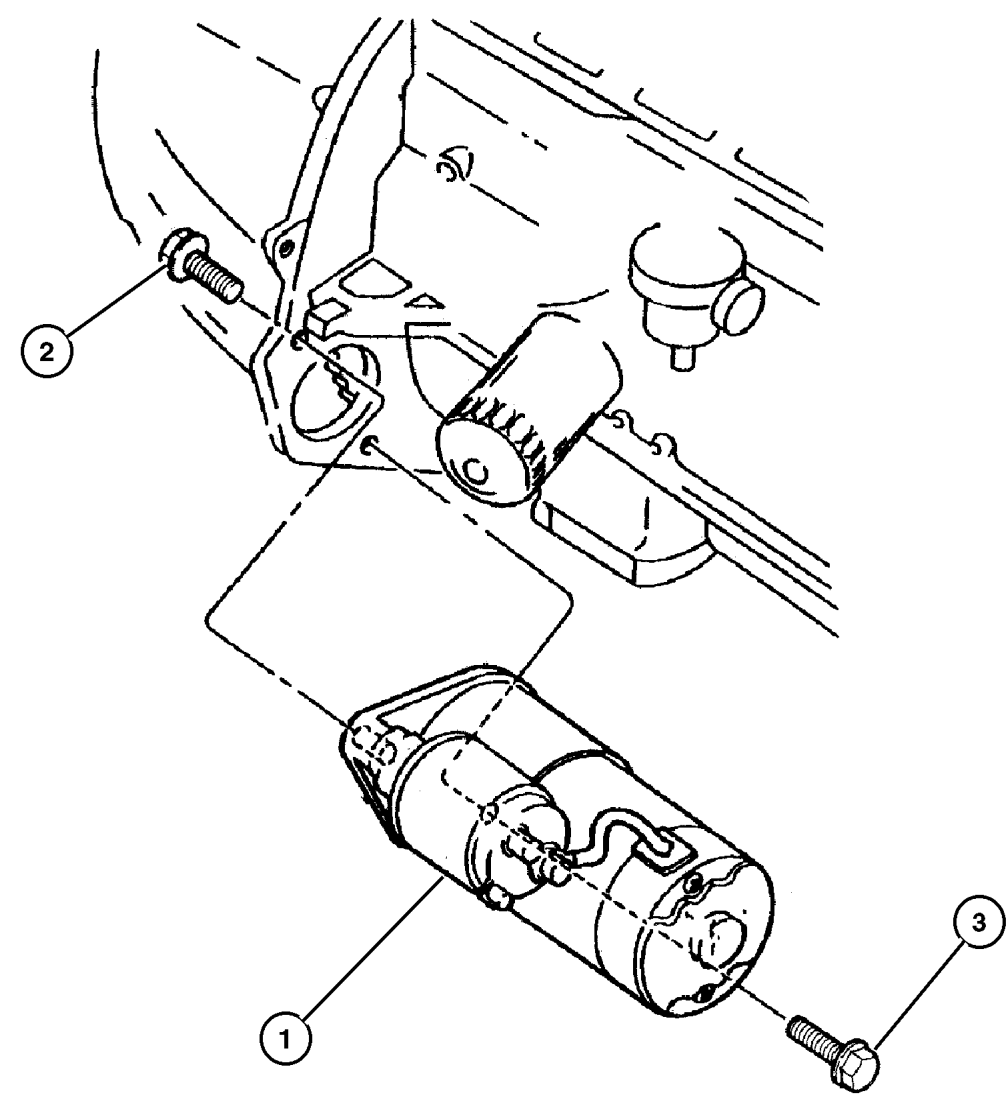
Illustration Title	Group-Fig. No.
Wiring-Headlamp to Dash	
Wiring Headlamp / Dash	Fig. 008-1310
Wiring-Instrument Panel	
Wiring Instrument Panel	Fig. 008-1410
Wiring-Body & Accessories	
Wiring Body & Accessories	Fig. 008-1510
Wiring Repair	
Connector Repair Package	Fig. 008-1605
Power Distribution Center Repair	Fig. 008-1615
Spark Plugs-Cables-Coils	
Spark Plugs - Coils	Fig. 008-1910

**Starter and Mounting (4.0L Engine)
Figure 008-105**

ITEM	PART NUMBER	QTY	LINE	SERIES	BODY	ENGINE	TRANS	DESCRIPTION
------	-------------	-----	------	--------	------	--------	-------	-------------

Notes: Sales Codes: are on The Truck
[ER0]=4.0L Engine are on The Truck

1	56041 012AB	1				ER0		STARTER
2	6503 699	1				ER0		SCREW AND WASHER, Hex Head, M10x1.5x28
3	J400 6192	1				ER0		BOLT AND WASHER, Hex Head, .375-16x1.75
-4	56041 476AA	1				ER0		COIL, Ignition

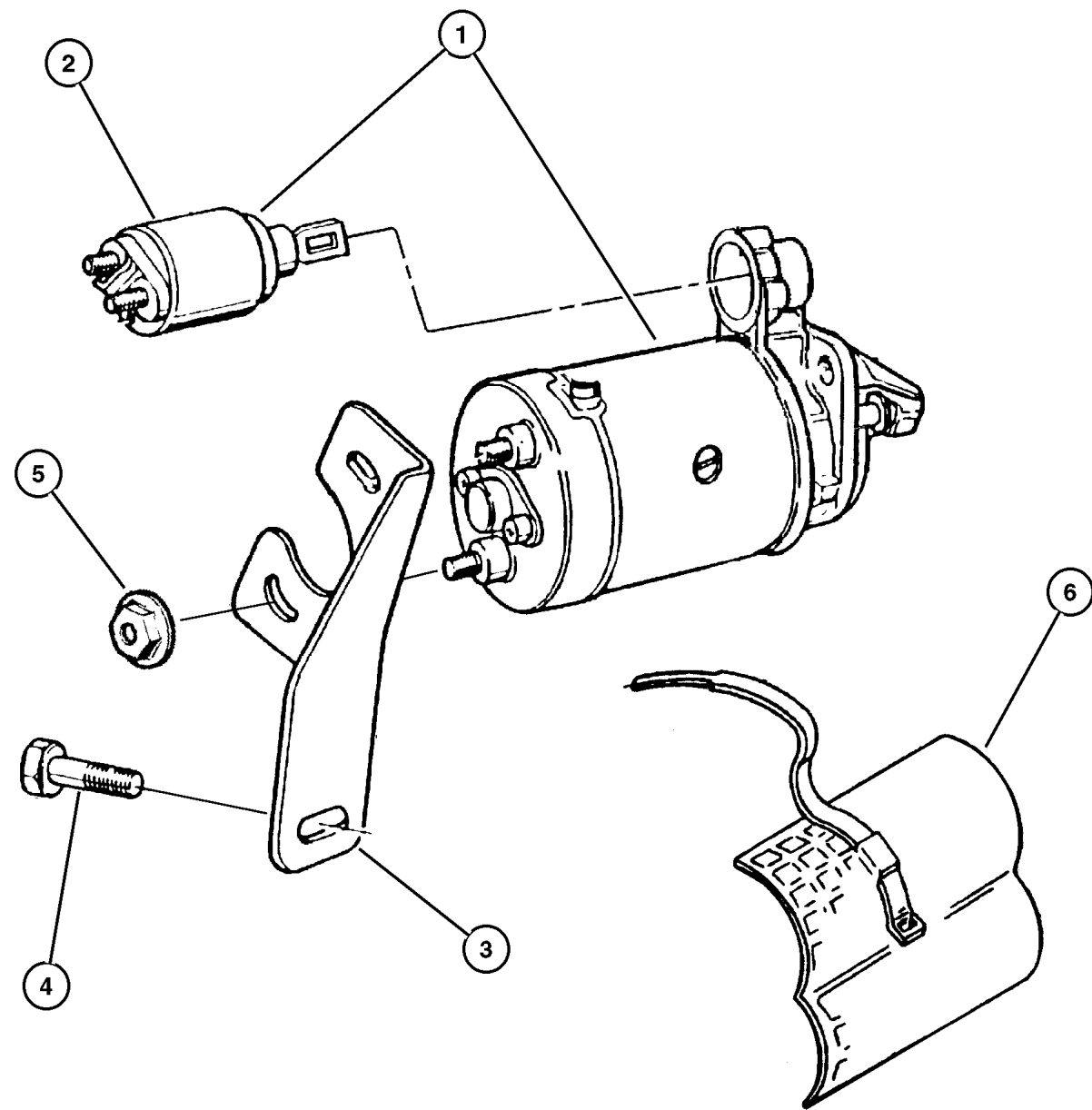


JEEP CHEROKEE (XJ)				
SERIES	LINE	BODY	ENGINE	TRANSMISSION
P = Limited	J = LHD (4WD)	74=4 Dr. (101.4 WB)	ENC, EN0 = 2.5L 4 Cyl Turbo	DDD = 5 Speed Manual
S = Limited	U = RHD (4WD)	72=2 Dr. (101.4 WB)	ERH, ER0 = 4.0L Power Tech	DGS = 4 Speed Auto AISIN
H = Sport	T = LHD (2WD)			DG0 = All Automatic Trans
L = SE	B = RHD (2WD)			DBB = All Manual Trans

AR = Use as required - = Non illustrated part # = New this model year

May 2, 2002

**Starter and Mounting (Diesel Engine)
Figure 008-110**



ITEM	PART NUMBER	QTY	LINE	SERIES	BODY	ENGINE	TRANS	DESCRIPTION
------	-------------	-----	------	--------	------	--------	-------	-------------

Note: Sales Codes: are on The Truck

[EN0] = All Turbo Diesel Engines are on The Truck

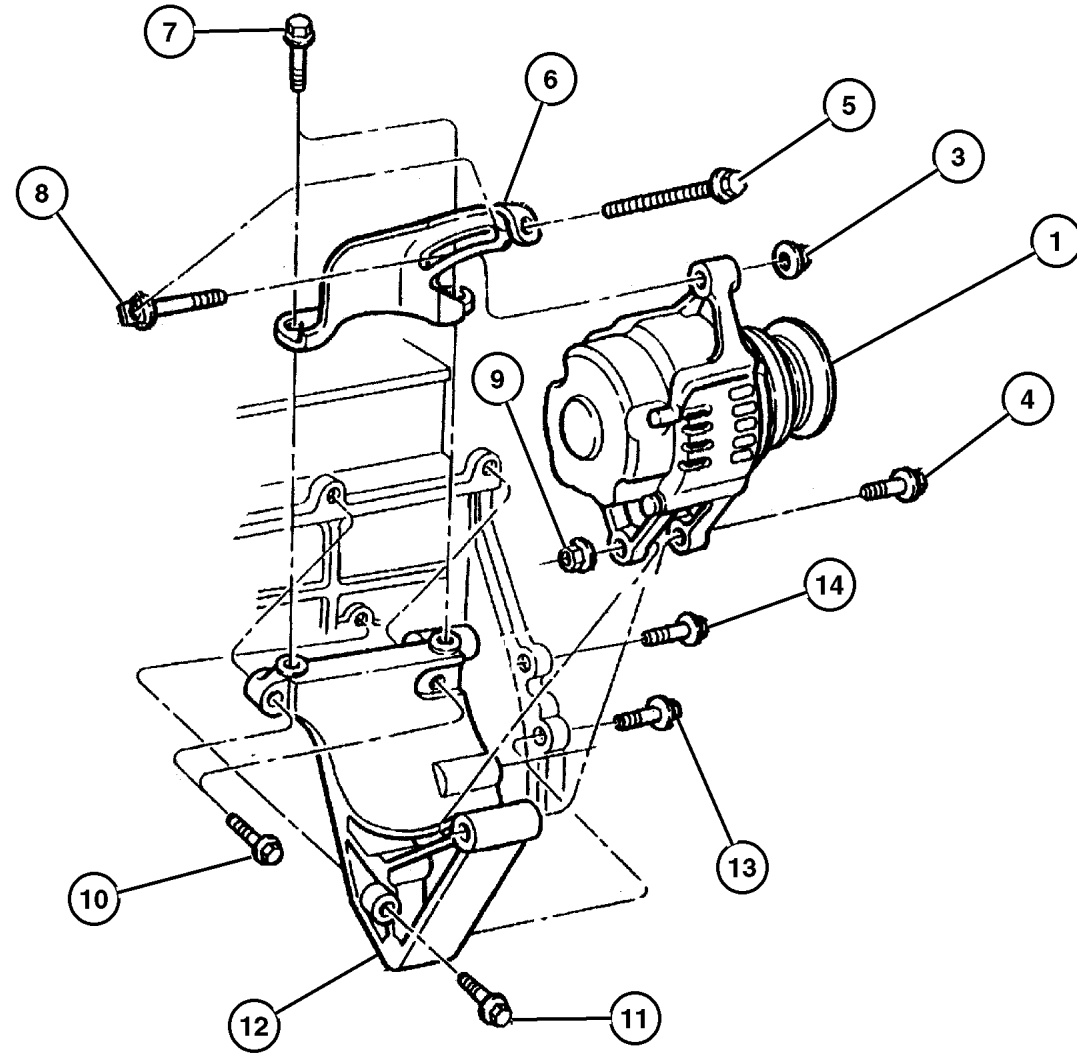
1	4883 447AA	1				EN0		STARTER
2	4723 275	1				EN0		SOLENOID, Starter
3	4796 045	1				EN0		BRACKET, Starter
4	4720 684	1				EN0		BOLT
5	4778 936	2				EN0		NUT, Suction Pipe Attaching
6	5602 7329	1				EN0		SHIELD, Heat

JEEP CHEROKEE (XJ)				
SERIES	LINE	BODY	ENGINE	TRANSMISSION
P = Limited	J = LHD (4WD)	74=4 Dr. (101.4 WB)	ENC, EN0 = 2.5L 4 Cyl Turbo	DDD = 5 Speed Manual
S = Limited	U = RHD (4WD)	72=2 Dr. (101.4 WB)	ERH, ER0 = 4.0L Power Tech	DGS = 4 Speed Auto AISIN
H = Sport	T = LHD (2WD)			DG0 = All Automatic Trans
L = SE	B = RHD (2WD)			DBB = All Manual Trans

AR = Use as required - = Non illustrated part # = New this model year

May 2, 2002

**Alternator 4.0L Engine (R.H.D.)
Figure 008-205**



ITEM	PART NUMBER	QTY	LINE	SERIES	BODY	ENGINE	TRANS	DESCRIPTION
------	-------------	-----	------	--------	------	--------	-------	-------------

Notes: Sales Codes: are on The Truck

[ER0]=4.0L Engine are on The Truck

1	#56041 822AB	1				ER0		ALTERNATOR
-2								BRACKET, Alternator
	5300 8850	1	J, T			ER0		
	5300 6869	1	J, T			ER0		Front Mounting
3	6101 448	1	B, U			ER0		NUT AND WASHER, Hex Nut-Coned Washer, M10 x 1.5
4	6502 134	1	J, T			ER0		BOLT, Hex Flange Head, M10x1.50x110
5	6502 929	1	B, U			ER0		SCREW AND WASHER, Hex Head, M8x1.25x110
6	53010 190AC	1	B, U			ER0		BRACKET, Tensioner
7	6502 144	1	J, T			ER0		SCREW AND WASHER, Hex Head, M10x1.5x25
8	6502 592	1	B, U			ER0		SCREW, M8x1.25 Tapped Head, M10x1.5x50
9	6502 135	1	J, T			ER0		NUT, Hex Flange, M10x1.5
10								SCREW AND WASHER, Hex Head, Coned, Header, .312-18x2.75, .375-16x1.625, (NOT SERVICED)
11	6034 497	1	B, U			ER0		BOLT AND WASHER, Hex Head, .375-16x2.375
12	5301 0231	1	B, U			ER0		BRACKET, Alternator
13								BOLT, Hex Flange Head, .375-16 x 2.75, (NOT SERVICED)
14	6034 242	1	B, U			ER0		SCREW AND WASHER

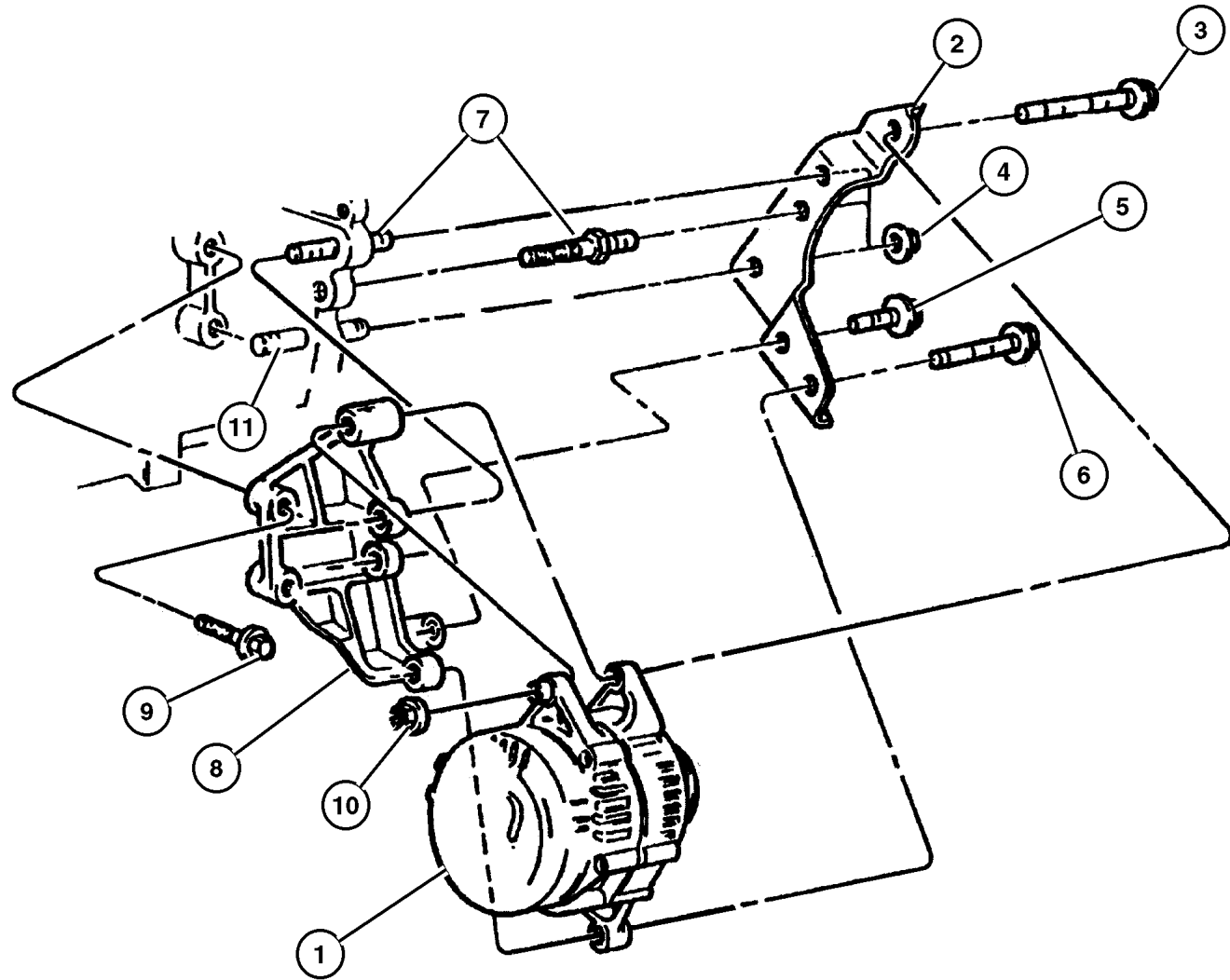
JEEP CHEROKEE (XJ)

SERIES	LINE	BODY	ENGINE	TRANSMISSION
P = Limited	J = LHD (4WD)	74=4 Dr. (101.4 WB)	ENC, EN0 = 2.5L 4 Cyl Turbo	DDD = 5 Speed Manual
S = Limited	U = RHD (4WD)	72=2 Dr. (101.4 WB)	ERH, ER0 = 4.0L Power Tech	DGS = 4 Speed Auto AISIN
H = Sport	T = LHD (2WD)			DG0 = All Automatic Trans
L = SE	B = RHD (2WD)			DBB = All Manual Trans

AR = Use as required - = Non illustrated part # = New this model year

May 2, 2002

**Alternator 4.0L Engine (L.H.D.)
Figure 008-207**



ITEM	PART NUMBER	QTY	LINE	SERIES	BODY	ENGINE	TRANS	DESCRIPTION
------	-------------	-----	------	--------	------	--------	-------	-------------

Notes: Sales Codes: are on The Truck

[ER0]=4.0L Engine are on The Truck

1	#56041 822AB	1				ER0		ALTERNATOR
2	5300 6869	1	J, T			ER0		BRACKET, Alternator
3	6502 134	1	J, T			ER0		BOLT, Hex Flange Head, M10x1.50x110
4	0152 344	3	J, T			ER0		NUT, .375-16
5	6502 144	1	J, T			ER0		SCREW AND WASHER, Hex Head, M10x1.5x25
6	6502 136	1	J, T			ER0		BOLT, Hex Flange Head, M10x1.50x55
7	6034 093	2	J, T			ER0		STUD, .375-16x3.750
8	5300 8850	1	J, T			ER0		BRACKET, Alternator
9	6025 063	2	J, T			ER0		SCREW AND WASHER, .375-16x1.125
10	6502 135	1	J, T			ER0		NUT, Hex Flange, M10x1.5
11								STUD, .312-18/.375-16x2.875, (NOT SERVICED)

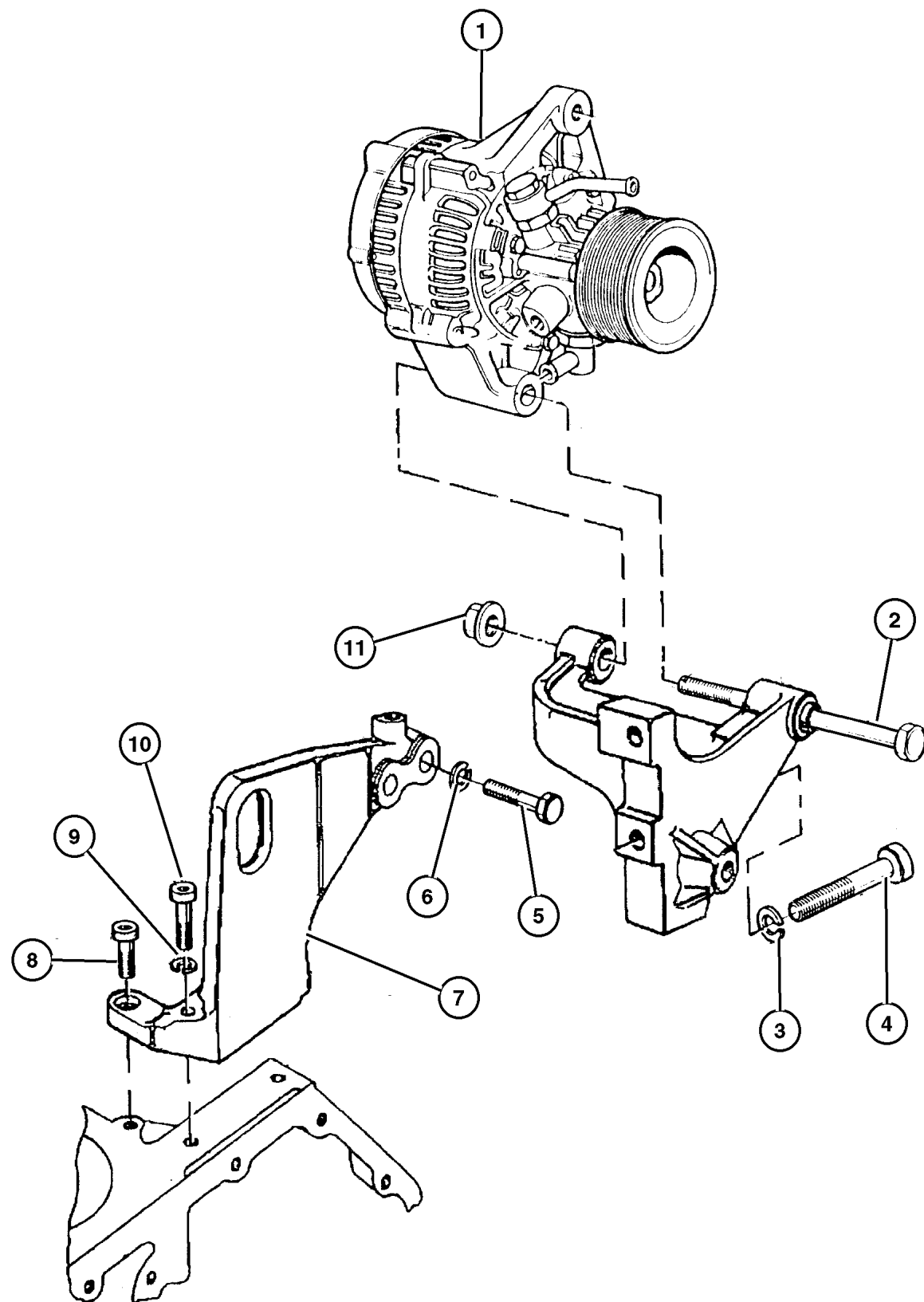
JEEP CHEROKEE (XJ)

SERIES	LINE	BODY	ENGINE	TRANSMISSION
P = Limited	J = LHD (4WD)	74=4 Dr. (101.4 WB)	ENC, EN0 = 2.5L 4 Cyl Turbo	DDD = 5 Speed Manual
S = Limited	U = RHD (4WD)	72=2 Dr. (101.4 WB)	ERH, ER0 = 4.0L Power Tech	DGS = 4 Speed Auto AISIN
H = Sport	T = LHD (2WD)			DG0 = All Automatic Trans
L = SE	B = RHD (2WD)			DBB = All Manual Trans

AR = Use as required - = Non illustrated part # = New this model year

May 2, 2002

Alternator Diesel Engine Figure 008-210



ITEM	PART NUMBER	QTY	LINE	SERIES	BODY	ENGINE	TRANS	DESCRIPTION
Notes: Sales Codes: are on The Truck								
[EN0]=4 Cylinder Turbo Engine are on The Truck								
[DD0]= All 5 Speed Manual Transmission are on The Truck								
1	5014 087AA	1				EN0		ALTERNATOR
2								SCREW, Cap, M10x150, (NOT SERVICED)
3	4864 758	2				EN0		WASHER
4	4720 684	1				EN0		BOLT
5								BOLT, Starter, (NOT SERVICED)
6	4723 165	2				EN0		WASHER, P Clip
7								BRACKET, Alternator
	5003 568AA	1				EN0		Lower
	5003 569AA	1				EN0		Upper
8	4720 684	1				EN0		BOLT
9	4210 983	2	J, U			EN0	DD0	WASHER, Flat
10	4797 768	4				EN0		BOLT, Vacuum Pump Bracket, M10x35
11	4796 038	1				EN0		NUT, Hex Flange, M10x1.5

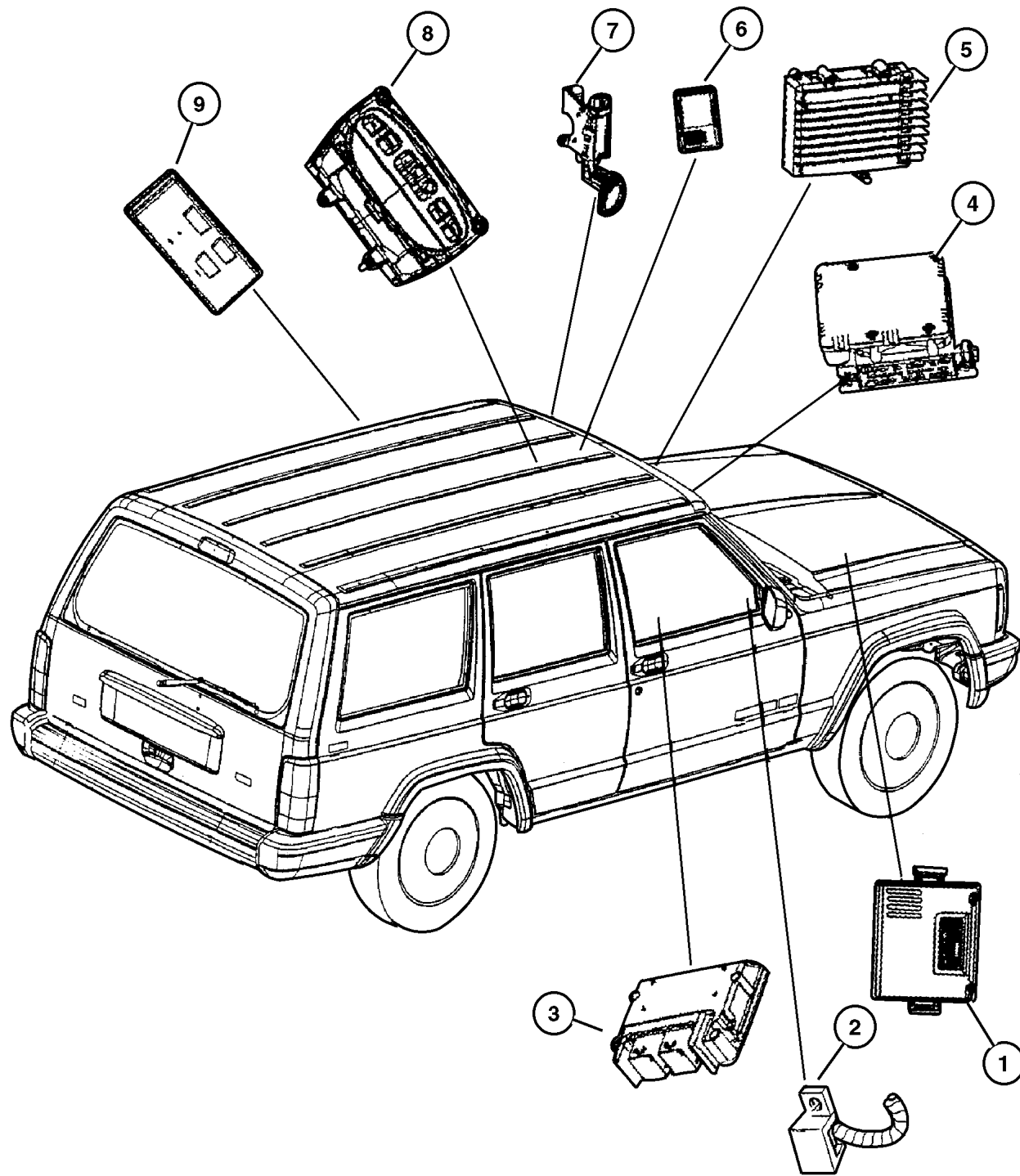
JEEP CHEROKEE (XJ)

SERIES	LINE	BODY	ENGINE	TRANSMISSION
P = Limited	J = LHD (4WD)	74=4 Dr. (101.4 WB)	ENC, EN0 = 2.5L 4 Cyl Turbo	DDD = 5 Speed Manual
S = Limited	U = RHD (4WD)	72=2 Dr. (101.4 WB)	ERH, ER0 = 4.0L Power Tech	DGS = 4 Speed Auto AISIN
H = Sport	T = LHD (2WD)			DG0 = All Automatic Trans
L = SE	B = RHD (2WD)			DBB = All Manual Trans

AR = Use as required - = Non illustrated part # = New this model year

May 2, 2002

Modules
Figure 008-405



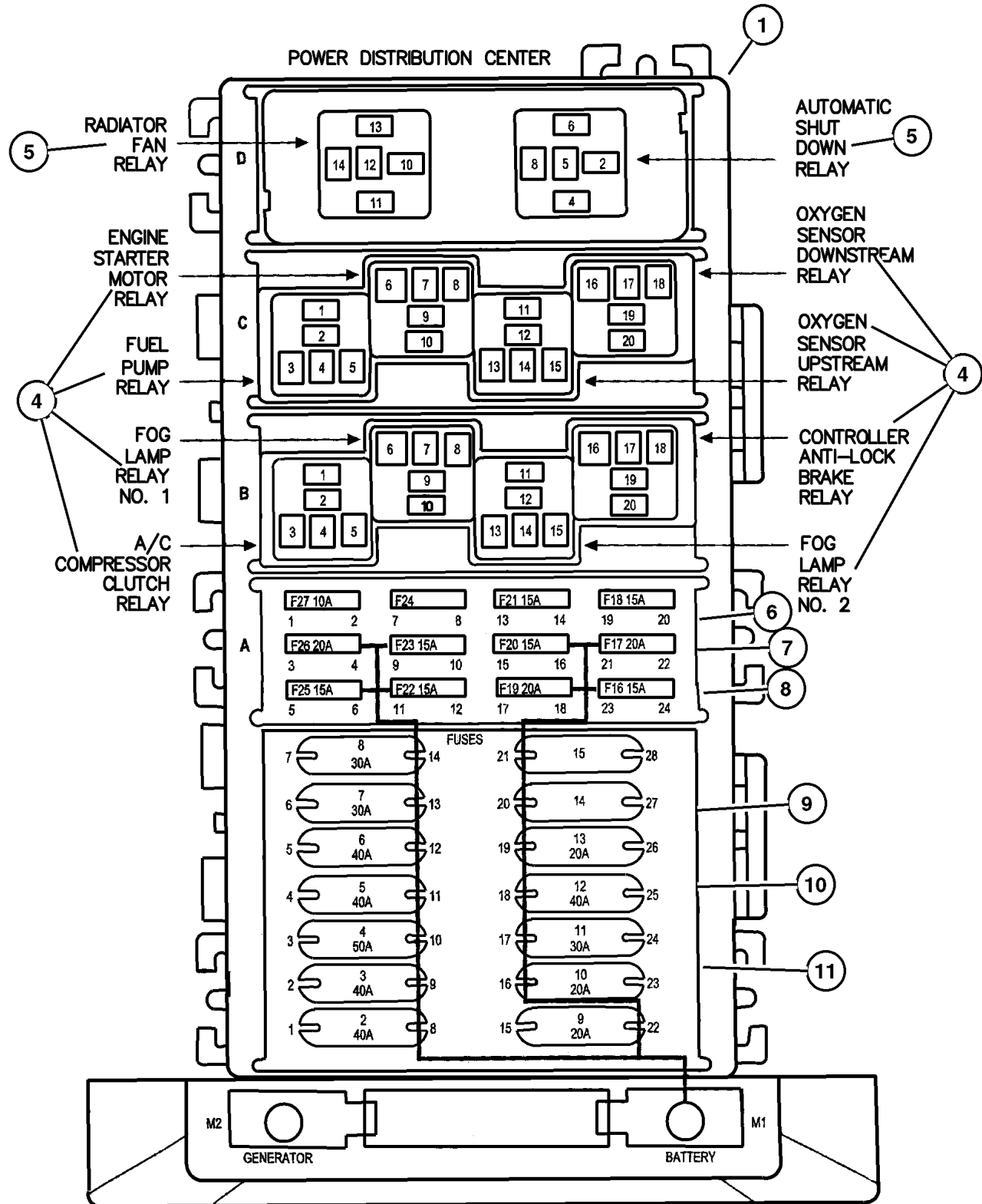
ITEM	PART NUMBER	QTY	LINE	SERIES	BODY	ENGINE	TRANS	DESCRIPTION
Notes: Sales Codes: are on The Truck								
[ER0]=4.0L Engine are on The Truck								
[DG0]=Automatic Transmission are on The Truck								
1	5600 4262	1						MODULE, Daytime Running Lamp
2	5600 9324	1						MODULE, Headlamp Delay
3	56007 323AE	1						MODULE, Air Bag Control
4	#5073 784AA	1						MODULE, Anti-lock Brakes
5								MODULE, Transmission Control
	56041 386AB	1				ER0	DG0	
	56041 876AA	1				ER0	DG0	JAPAN
6								MODULE PACKAGE, Keyless Entry
	5003 382AB	1						EUROPE
	5003 378AD	1						
7	56009 712AD	1						MODULE, Security Alarm
8	#56009 380AC	1						MODULE, Compass Temperature
9								MODULE, Heated Front Seats
	56010 159AD	1						
		1		U				74
				J, T				74

JEEP CHEROKEE (XJ)				
SERIES	LINE	BODY	ENGINE	TRANSMISSION
P = Limited	J = LHD (4WD)	74=4 Dr. (101.4 WB)	ENC, EN0 = 2.5L 4 Cyl Turbo	DDD = 5 Speed Manual
S = Limited	U = RHD (4WD)	72=2 Dr. (101.4 WB)	ERH, ER0 = 4.0L Power Tech	DGS = 4 Speed Auto AISIN
H = Sport	T = LHD (2WD)			DG0 = All Automatic Trans
L = SE	B = RHD (2WD)			DBB = All Manual Trans

AR = Use as required - = Non illustrated part # = New this model year

Power Distribution Center Relays and Fuses
Figure 008-505

ITEM	PART NUMBER	QTY	LINE	SERIES	BODY	ENGINE	TRANS	DESCRIPTION
1								POWER DISTRIBUTION CENTER, Served in headlamp to dash harness, (NOT SERVICED)
-2	5600 9057	1	J, U					RELAY, Rear Fog Lamps Export
-3	5600 6846	2						RELAY, Electrical, Trailer Tow
4	4671 168	1						RELAY, Mini
5								RELAY PACKAGE, Electrical
	4638 094	1	J, T					
		1	B, U					
6	00AT M20	3						FUSE, Mini, 20 AMP, Yellow
7	00AT M15	7						FUSE, Mini, 15 AMP, Light Blue
8	00AT M10	2						FUSE, Mini, 10 AMP, Red
9								FUSE CARTRIDGE, 20 Amp, 06102075AA, (NOT SERVICED)
10								FUSE CARTRIDGE, 30 Amp, 06102076AA, (NOT SERVICED)
11								FUSE CARTRIDGE, 40 Amp, 06102077AA, (NOT SERVICED)
-12								COVER, Power Distribution Center Export
	56038 361AD	AR						
	56038 363AC	AR						

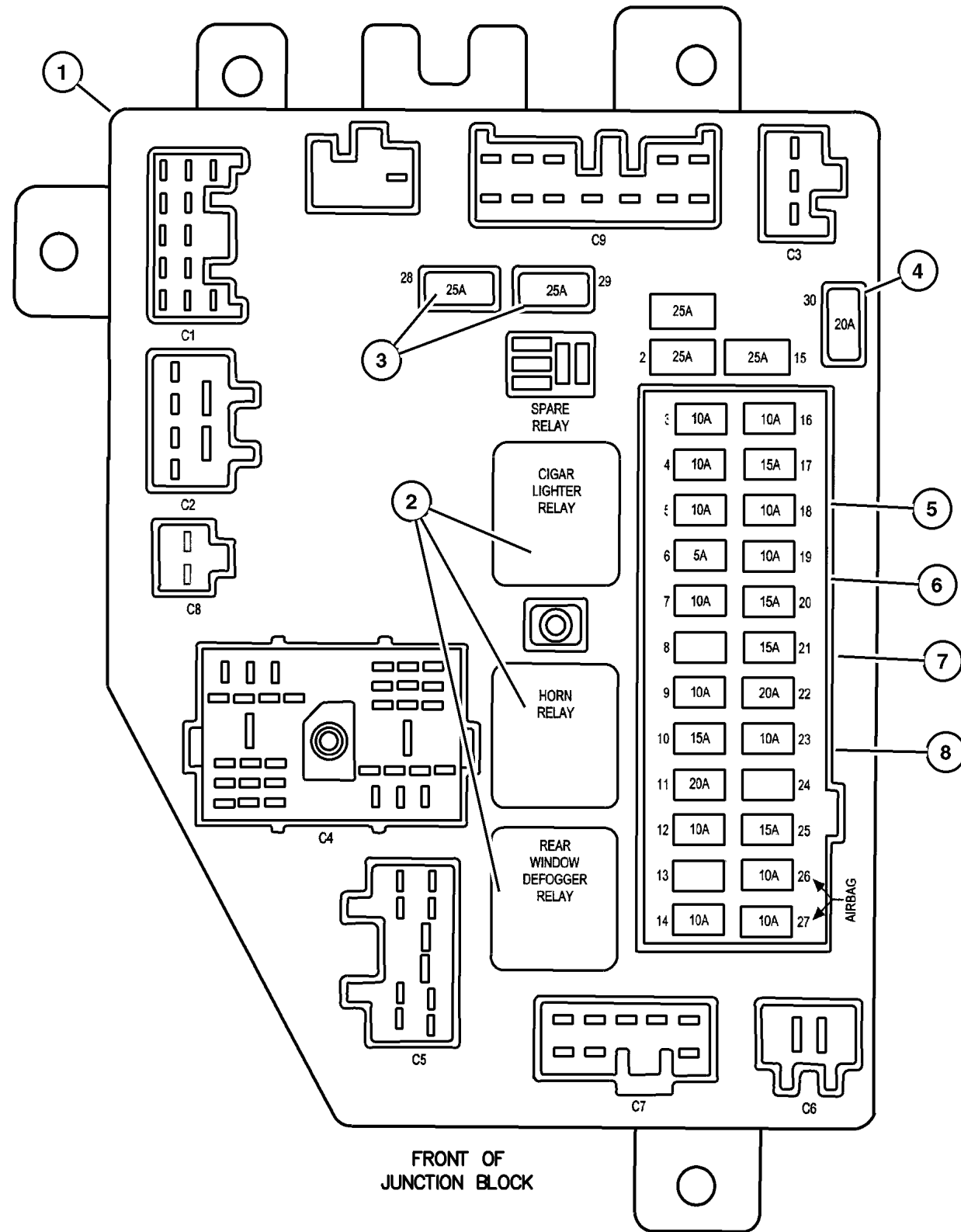


JEEP CHEROKEE (XJ)
SERIES LINE BODY ENGINE TRANSMISSION
P = Limited J = LHD (4WD) 74=4 Dr. (101.4 WB) ENC, EN0 = 2.5L 4 Cyl Turbo DDD = 5 Speed Manual
S = Limited U = RHD (4WD) 72=2 Dr. (101.4 WB) ERH, ER0 = 4.0L Power Tech DGS = 4 Speed Auto AISIN
H = Sport T = LHD (2WD) DG0 = All Automatic Trans
L = SE B = RHD (2WD) DBB = All Manual Trans

AR = Use as required - = Non illustrated part # = New this model year

May 2, 2002

Junction Block Relays and Fuses Figure 008-510



ITEM	PART NUMBER	QTY	LINE	SERIES	BODY	ENGINE	TRANS	DESCRIPTION
1	56007 573AE	1						JUNCTION BLOCK, Multifunction Module
2	4638 094	1						RELAY PACKAGE, Electrical
3	4124 795	2						BREAKER, Circuit
4	4604 235	1						BREAKER, Circuit
5	6101 488	2						FUSE, Mini, 20 AMP, Yellow
6	6101 487	4						FUSE, Mini, 15 AMP, Light Blue
7	6101 486	11						FUSE, Mini, 10 AMP, Red
8	6101 484	1						FUSE, Mini, 5 Amp, Tan
-9								FLASHER
	5600 9711	1	J, U					Flasher Combination, Export
	5602 1551	1						Turn Signal & Hazard

JEEP CHEROKEE (XJ)

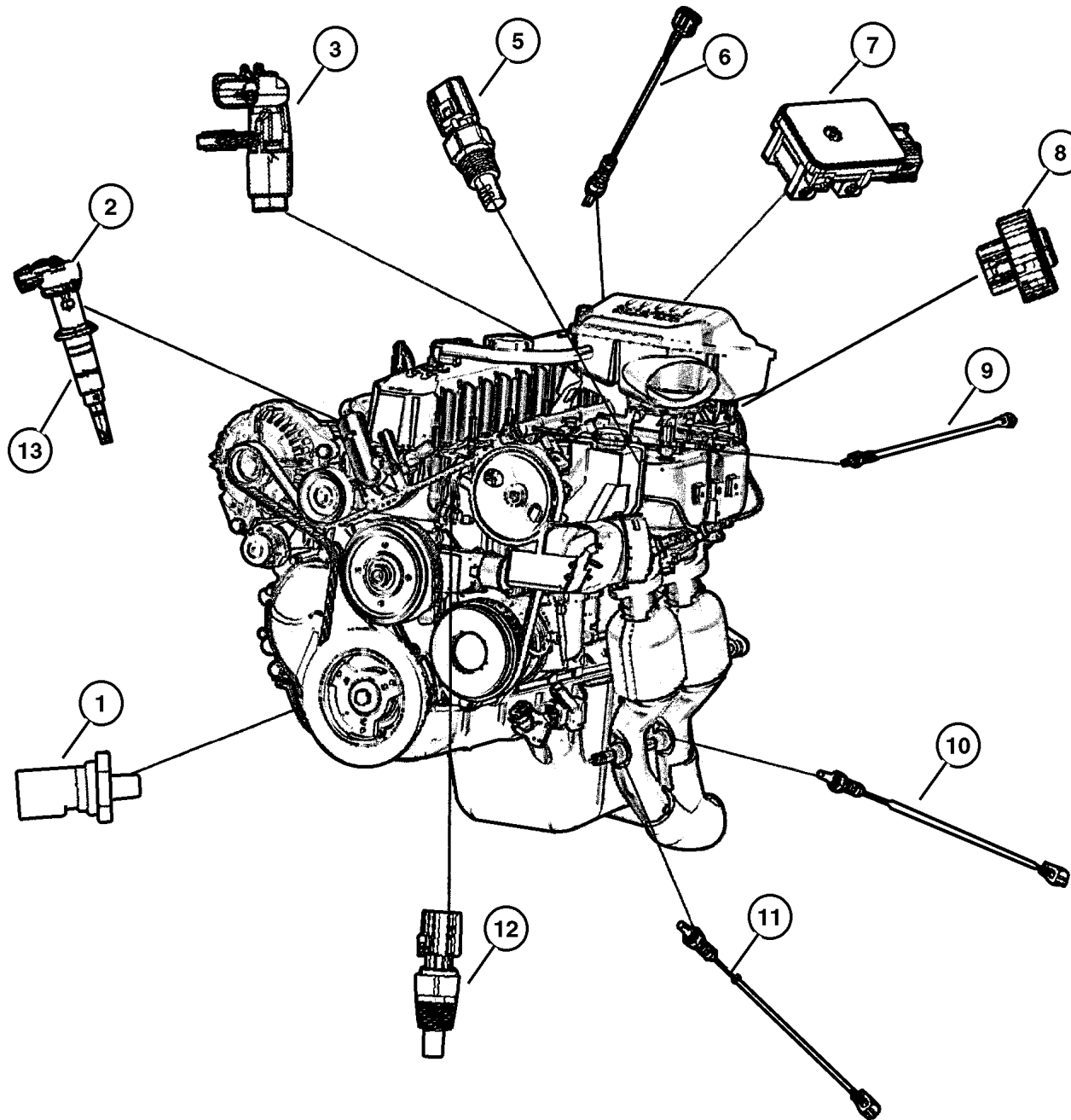
SERIES	LINE	BODY	ENGINE	TRANSMISSION
P = Limited	J = LHD (4WD)	74=4 Dr. (101.4 WB)	ENC, EN0 = 2.5L 4 Cyl Turbo	DDD = 5 Speed Manual
S = Limited	U = RHD (4WD)	72=2 Dr. (101.4 WB)	ERH, ER0 = 4.0L Power Tech	DGS = 4 Speed Auto AISIN
H = Sport	T = LHD (2WD)			DG0 = All Automatic Trans
L = SE	B = RHD (2WD)			DBB = All Manual Trans

AR = Use as required - = Non illustrated part # = New this model year

May 2, 2002

Sensors Engine 4.0L
Figure 008-605

ITEM	PART NUMBER	QTY	LINE	SERIES	BODY	ENGINE	TRANS	DESCRIPTION
Notes: are on The Truck								
[ER0]=All 4.0L Engine are on The Truck								
[DG0]=All Automatic Transmissions are on The Truck								
1	56028 807AA	1				ER0		SENDING UNIT, Oil Pressure
2	4897 023AA	1				ER0		SENSOR, Camshaft
3	56027 866AE	1				ER0		SENSOR, Crankshaft Position
-4	6503 520	2				ER0		BOLT AND WASHER, Hex Head, M7x1.00x25, Crank Sensor attaching
5	5602 7872	1				ER0		SENSOR, Air Temperature
6	56041 213AF	1				ER0		SENSOR, Oxygen, Before Catalyst Rear
7	5602 9405	1				ER0		SENSOR, Map
8	4874 371AC	1				ER0		SENSOR, Throttle Position
9	56041 212AE	1				ER0		SENSOR, Oxygen, Before Catalyst Front
10	56041 213AG	1				ER0		SENSOR, Oxygen, After Catalyst Rear
11	56044 215AA	1				ER0		SENSOR, Oxygen, After Catalyst Front
12	5602 7873	1				ER0		SENSOR, Coolant Temperature
13	5604 1020	1				ER0		DRIVE, OIL PUMP, Oil Pump Drive Only



JEEP CHEROKEE (XJ)

SERIES	LINE	BODY	ENGINE	TRANSMISSION
P = Limited	J = LHD (4WD)	74=4 Dr. (101.4 WB)	ENC, EN0 = 2.5L 4 Cyl Turbo	DDD = 5 Speed Manual
S = Limited	U = RHD (4WD)	72=2 Dr. (101.4 WB)	ERH, ER0 = 4.0L Power Tech	DGS = 4 Speed Auto AISIN
H = Sport	T = LHD (2WD)			DG0 = All Automatic Trans
L = SE	B = RHD (2WD)			DBB = All Manual Trans

AR = Use as required - = Non illustrated part # = New this model year

May 2, 2002

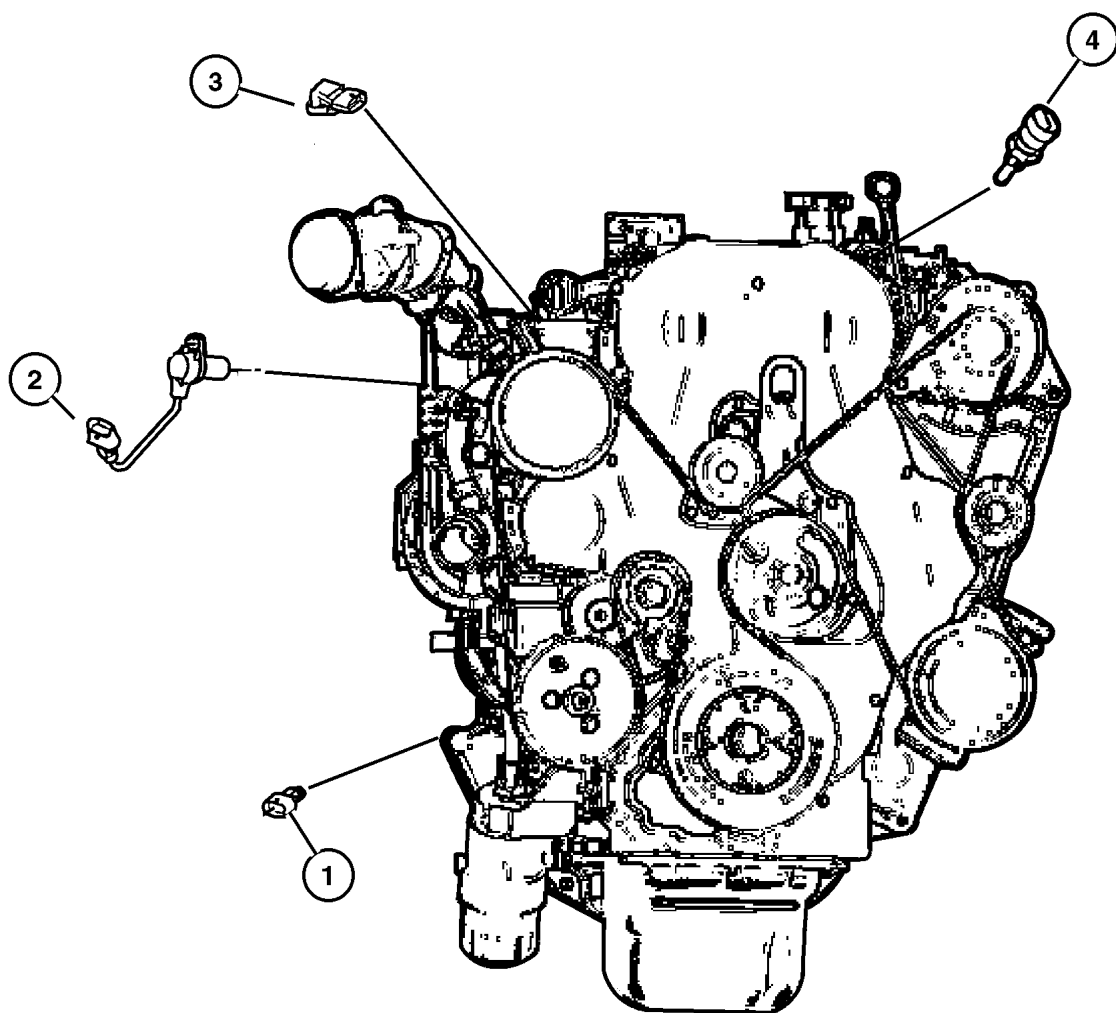
Sensors Engine 2.5L Diesel
Figure 008-610

ITEM	PART NUMBER	QTY	LINE	SERIES	BODY	ENGINE	TRANS	DESCRIPTION
------	-------------	-----	------	--------	------	--------	-------	-------------

[EN0]=All 4/5 Cylinder Turbo Diesel Engines are on The Truck

[DBB]=All Manual Transmissions are on The Truck

1	56028 807AA	1				EN0		SENDING UNIT, Oil Pressure
2	5602 7963	1				EN0		SENSOR, Engine Electric Control
3	5003 734AA	1				EN0		SENSOR, Air Temperature
4	5014 067AA	2				EN0		SENSOR, Temperature Sending Unit



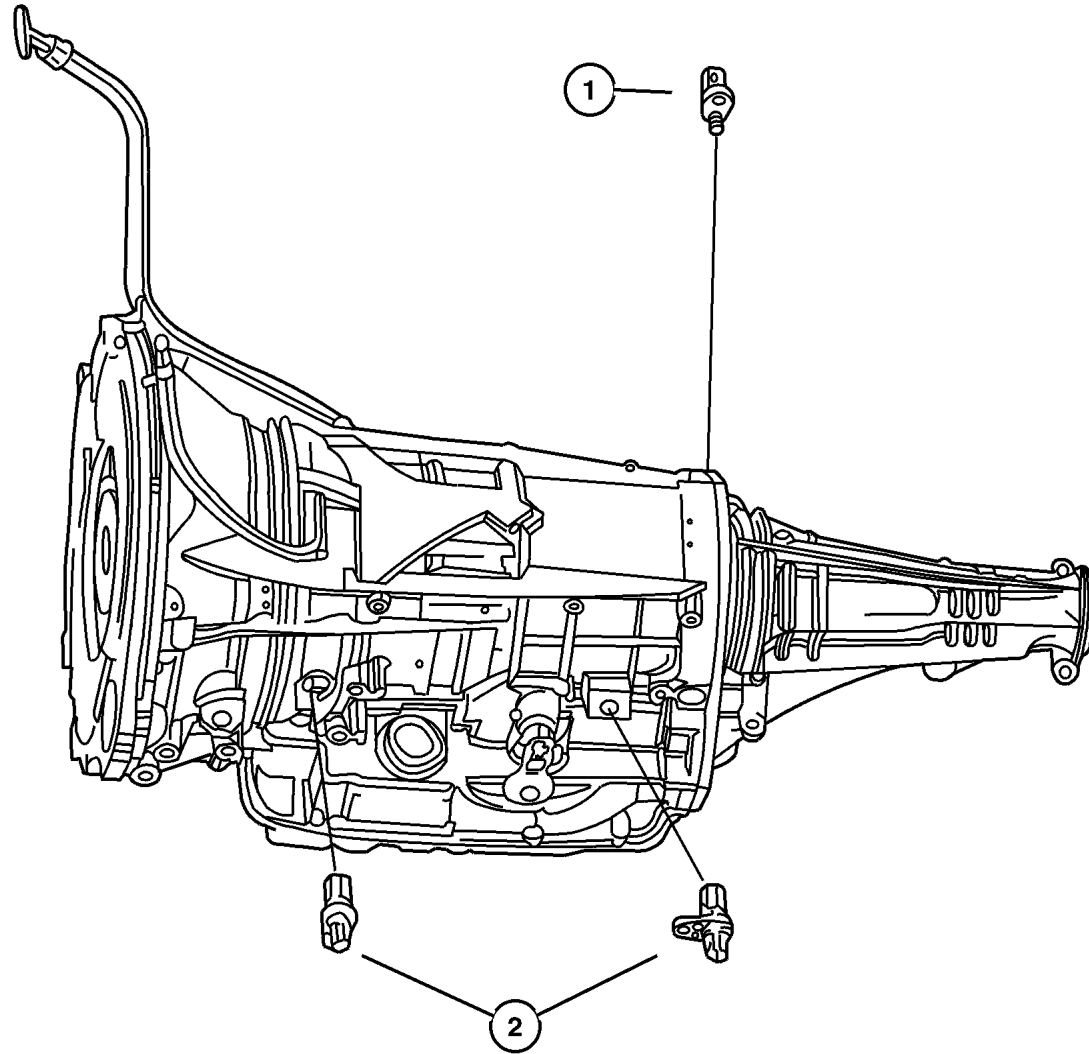
JEEP CHEROKEE (XJ)

SERIES	LINE	BODY	ENGINE	TRANSMISSION
P = Limited	J = LHD (4WD)	74=4 Dr. (101.4 WB)	ENC, EN0 = 2.5L 4 Cyl Turbo	DDD = 5 Speed Manual
S = Limited	U = RHD (4WD)	72=2 Dr. (101.4 WB)	ERH, ER0 = 4.0L Power Tech	DGS = 4 Speed Auto AISIN
H = Sport	T = LHD (2WD)			DG0 = All Automatic Trans
L = SE	B = RHD (2WD)			DBB = All Manual Trans

AR = Use as required - = Non illustrated part # = New this model year

May 2, 2002

Sensors Drivetrain
Figure 008-615



ITEM	PART NUMBER	QTY	LINE	SERIES	BODY	ENGINE	TRANS	DESCRIPTION
------	-------------	-----	------	--------	------	--------	-------	-------------

Notes: are on The Truck
[DGK]=4 Speed Automatic Transmission are on The Truck
[DGQ]=5 Speed Automatic Transmission are on The Truck

1	5602 7905	1						SENSOR, Vehicle Speed
	4897 734AA	2	B, T				DGS	
		2	J, U				DGS	
2	4897 740AA	1	J, U				DGS	SENSOR, Transmission Output Speed
	4897 740AB	1	B, T				DGS	

JEEP CHEROKEE (XJ)

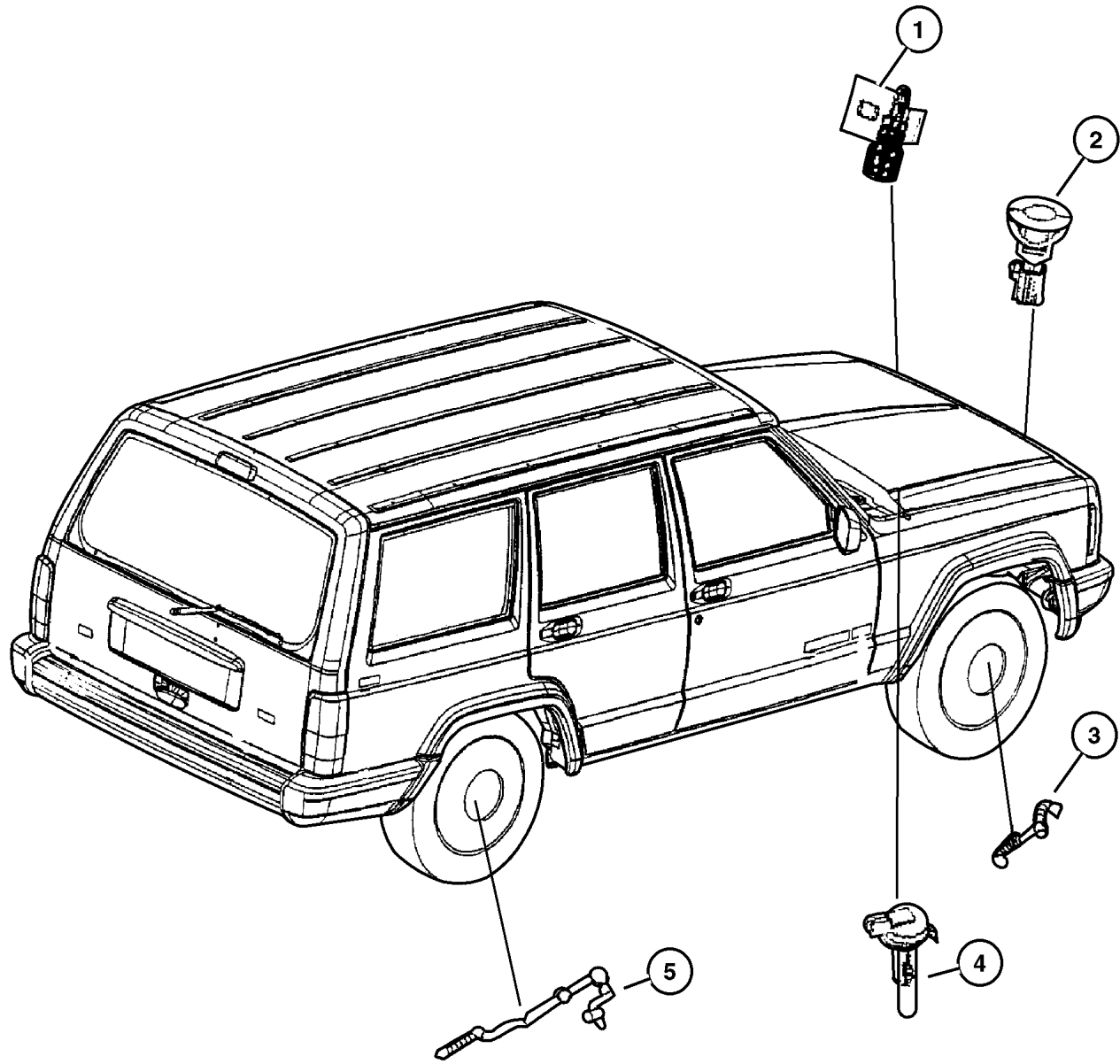
SERIES	LINE	BODY	ENGINE	TRANSMISSION
P = Limited	J = LHD (4WD)	74=4 Dr. (101.4 WB)	ENC, EN0 = 2.5L 4 Cyl Turbo	DDD = 5 Speed Manual
S = Limited	U = RHD (4WD)	72=2 Dr. (101.4 WB)	ERH, ER0 = 4.0L Power Tech	DGS = 4 Speed Auto AISIN
H = Sport	T = LHD (2WD)			DG0 = All Automatic Trans
L = SE	B = RHD (2WD)			DBB = All Manual Trans

AR = Use as required - = Non illustrated part # = New this model year

May 2, 2002

Sensors Body
Figure 008-620

ITEM	PART NUMBER	QTY	LINE	SERIES	BODY	ENGINE	TRANS	DESCRIPTION
1	4688 204AB	1						SENSOR, Ambient Temperature
2	5602 7332	1				ER0		SENSOR, Battery Temperature
	5604 1053	1				EN0		
3	5600 5217	2	J					SENSOR, Anti-Lock Brakes
		2	U					
4	5515 4979	1						SENSOR, Washer Fluid Level
5	5200 5932	1						Right
	5200 5933	1						Left



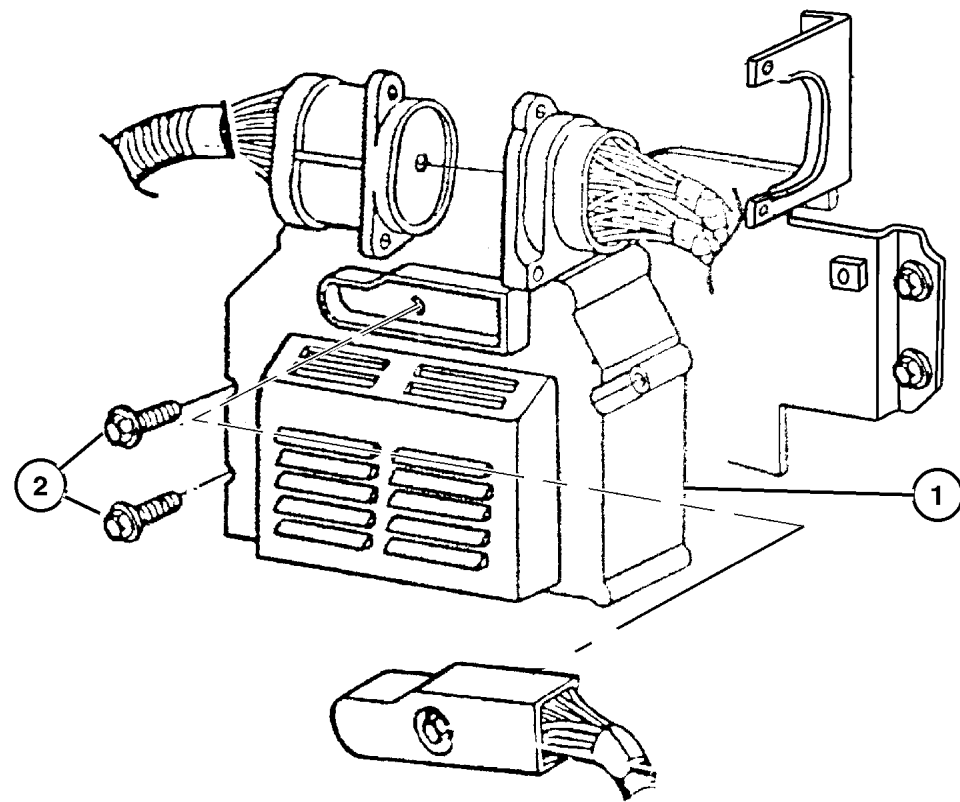
JEEP CHEROKEE (XJ)

SERIES	LINE	BODY	ENGINE	TRANSMISSION
P = Limited	J = LHD (4WD)	74=4 Dr. (101.4 WB)	ENC, EN0 = 2.5L 4 Cyl Turbo	DDD = 5 Speed Manual
S = Limited	U = RHD (4WD)	72=2 Dr. (101.4 WB)	ERH, ER0 = 4.0L Power Tech	DGS = 4 Speed Auto AISIN
H = Sport	T = LHD (2WD)			DG0 = All Automatic Trans
L = SE	B = RHD (2WD)			DBB = All Manual Trans

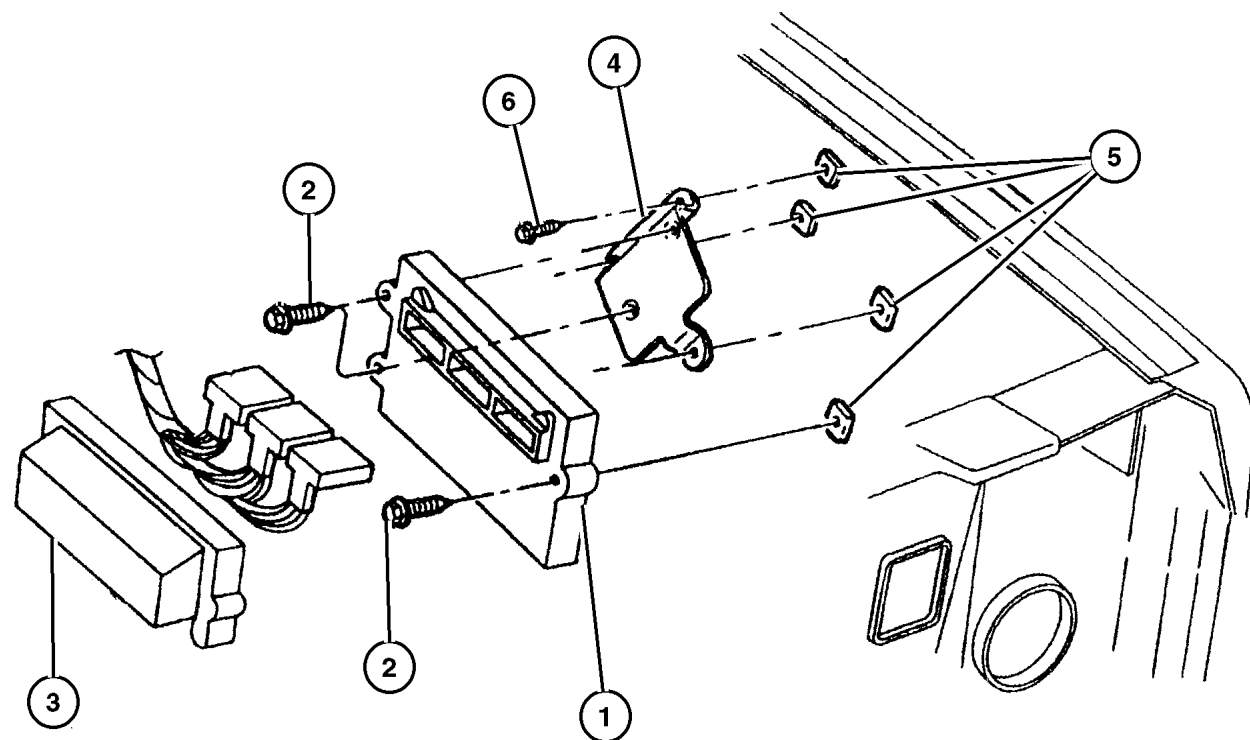
AR = Use as required - = Non illustrated part # = New this model year

May 2, 2002

Single Board Engine Controllers
Figure 008-710



ITEM	PART NUMBER	QTY	LINE	SERIES	BODY	ENGINE	TRANS	DESCRIPTION
Notes: Sales Codes: are on The Truck								
[ER0]=4.0L Engine are on The Truck								
[EN0]=4 Cylinder Turbo Engine are on The Truck								
[DG0]=Automatic Transmission are on The Truck								
[DBB]=Manual Transmission 5 Speed are on The Truck								
1								MODULE, Powertrain Control
	#56041 795AA	1				ER0	DBB	with California Emission
		1				ER0	DBB	with U.S. 50 State Emission
	#56041 796AB	1				ER0	DBB	with European II Emission
	#56041 798AA	1				ER0	DBB	with Leaded Fuel Emission
	#56041 801AA	1				ER0	DG0	with California Emission
		1				ER0	DG0	with U.S. 50 State Emission
	#56041 803AB	1				ER0	DG0	with European III Emission
	#56041 804AA	1				ER0	DG0	with Leaded Fuel Emission
	#56044 600AA	1				EN0	DBB	EDC 15V
	#56044 642AA	1				EN0	DBB	Plus Lite
2								SCREW, (NOT SERVICED)
3								COVER, Module, (NOT SERVICED)
4								BRACKET, Module
	56041 372AC	1	J, T			EN0		
	56041 067AC	1	J, T			ER0	DG0	
	56041 561AC	1	B, U			EN0		
		1	B, U			ER0	DG0	
5	6100 515	2				EN0		NUT, Hex Flange Lock, M5
6								SCREW, Hex Head, .190-16x.625
	0154 552	3				ER0		
		1				EN0		



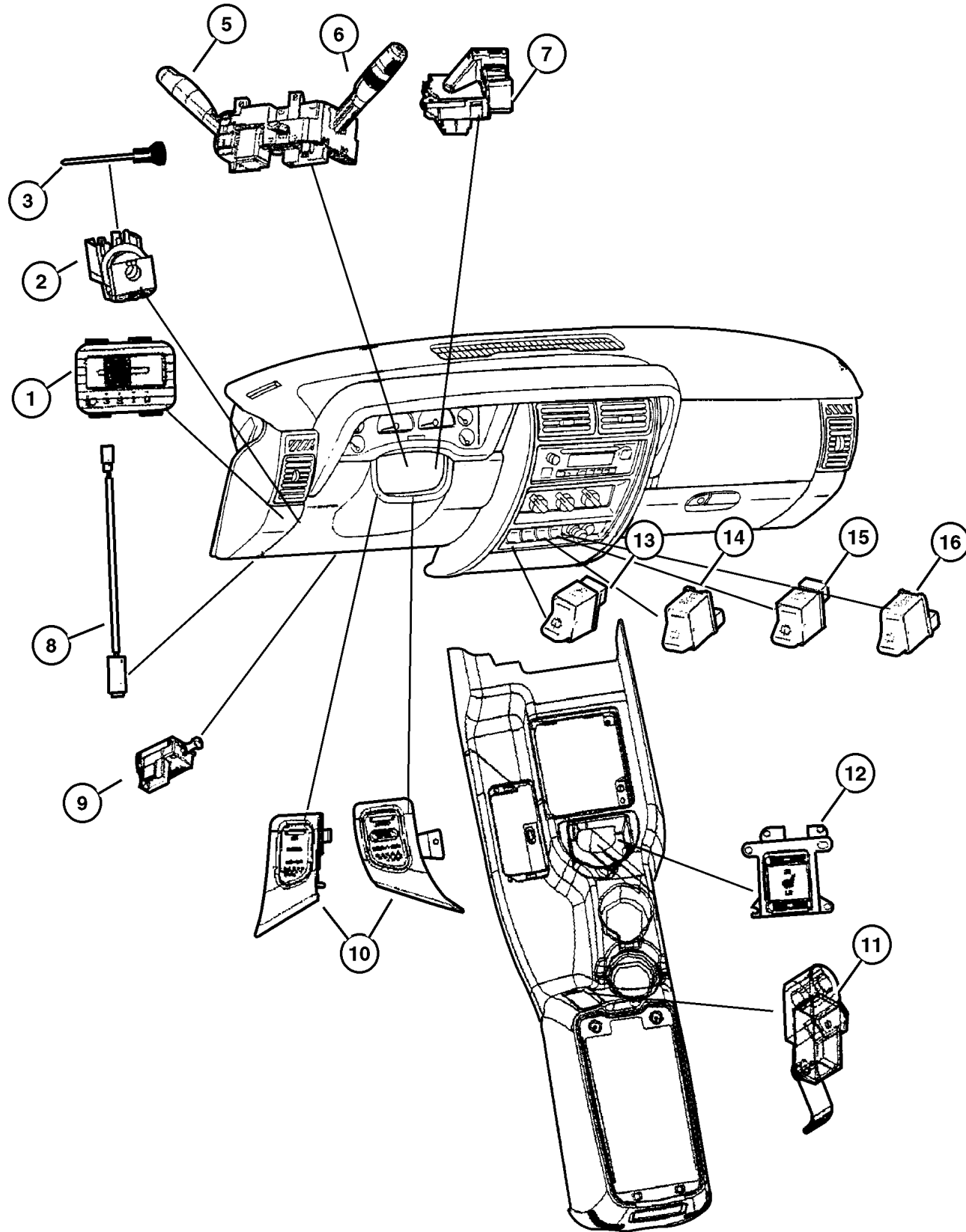
JEEP CHEROKEE (XJ)

SERIES	LINE	BODY	ENGINE	TRANSMISSION
P = Limited	J = LHD (4WD)	74=4 Dr. (101.4 WB)	ENC, EN0 = 2.5L 4 Cyl Turbo	DDD = 5 Speed Manual
S = Limited	U = RHD (4WD)	72=2 Dr. (101.4 WB)	ERH, ER0 = 4.0L Power Tech	DGS = 4 Speed Auto AISIN
H = Sport	T = LHD (2WD)			DG0 = All Automatic Trans
L = SE	B = RHD (2WD)			DBB = All Manual Trans

AR = Use as required - = Non illustrated part # = New this model year

May 2, 2002

Switches Instrument Panel and Console Figure 008-805



ITEM	PART NUMBER	QTY	LINE	SERIES	BODY	ENGINE	TRANS	DESCRIPTION
1	56007 675AB	1						SWITCH, Headlamp Leveling, Export
2	56009 869AB	1						SWITCH, Headlamp
3	5600 9376	1						KNOB AND SHAFT, Headlamp Switch
4	56021 893AA	1						RETAINER, Headlamp Switch
5	56010 315AA	1					DG0	SWITCH, Multifunction
6	4793 313	1					DG0	SWITCH, Intermittent Wiper
7	4565 326	1					DG0	SWITCH, Ignition
8								SWITCH, Clutch Starter Interlock
	53007 944AB	1	J, T			EN0	DBB	
		1	U			EN0	DBB	
		1	J, T			ER0	DBB	
		1	B, U			ER0	DBB	
9	4671 336	1						SWITCH, Stop Lamp
10								SWITCH, Speed Control
	56007 530AD	1						Right
	56007 531AD	1						Left
11	5212 7960	1						SWITCH, Parking Brake
12								SWITCH, Heated Seat
	56010 135AB	1						Right
	56010 136AB	1						Left
13	5600 7250	1						SWITCH, Electric Back Light
14	5600 8728	1						SWITCH, Extended Idle, Export
15								SWITCH, Fog Lamp
	5080 861AA	1						
	5600 7248	1	J, U					Export
16	5600 7249	1						SWITCH, Wiper and Washer

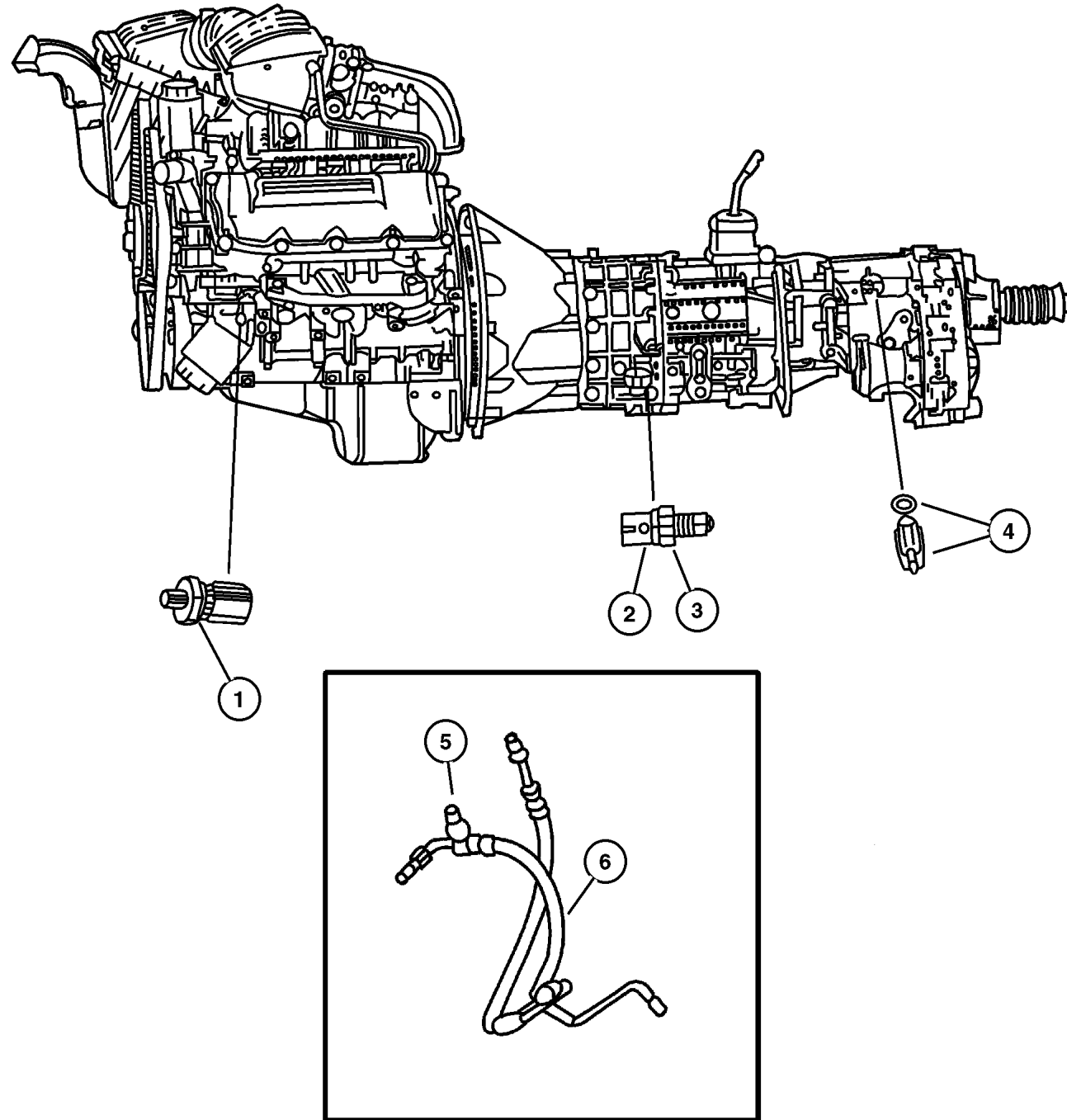
JEEP CHEROKEE (XJ)

SERIES	LINE	BODY	ENGINE	TRANSMISSION
P = Limited	J = LHD (4WD)	74=4 Dr. (101.4 WB)	ENC, EN0 = 2.5L 4 Cyl Turbo	DDD = 5 Speed Manual
S = Limited	U = RHD (4WD)	72=2 Dr. (101.4 WB)	ERH, ER0 = 4.0L Power Tech	DGS = 4 Speed Auto AISIN
H = Sport	T = LHD (2WD)			DG0 = All Automatic Trans
L = SE	B = RHD (2WD)			DBB = All Manual Trans

AR = Use as required - = Non illustrated part # = New this model year

May 2, 2002

**Switches Drivetrain
Figure 008-810**



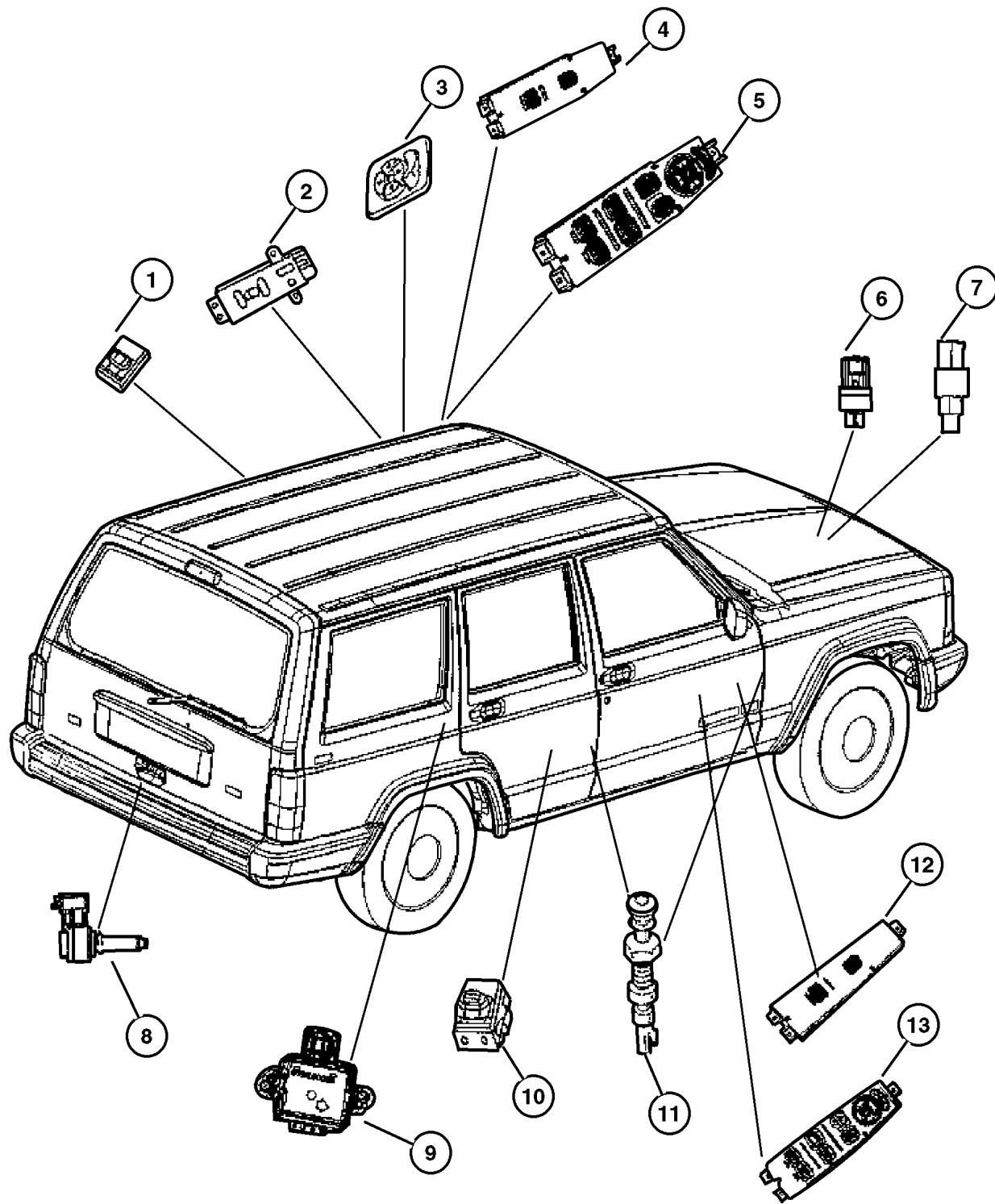
ITEM	PART NUMBER	QTY	LINE	SERIES	BODY	ENGINE	TRANS	DESCRIPTION
Notes: are on The Truck								
[ED0] = 2.4L 4 Cylinder Engine are on The Truck								
[EK0] = 3.7L V6 Cylinder Engine are on The Truck								
[EKG] = 3.7L V6 'Magnum' Engine are on The Truck								
[EN0] = 2.5L Diesel are on The Truck								
[DBB] = All Manual Transmissions are on The Truck								
[DDD] = 5 Speed Manual are on The Truck								
[DDk] = 5 Speed Manual are on The Truck								
1								SENDING UNIT, Oil Pressure
	56028 807AA	1				ER0		
		1				EN0		
2								SWITCH, Back Up Lamp
	4741 121	1	J, U			ER0	DDD	
		1	B, T			ER0	DDD	
		1	J, U			ENC	DDD	
3								SWITCH, Neutral, Safety, Back Up
	4882 173	1	B, T				DGS	
		1	J, U				DGS	
4								SWITCH, Transfer Case Mode
	5600 6755	1	J, U			ER0	DG0	
	J813 4473	1	J, U			ER0	DDD	Electric
		1	J, U			EN0	DD0	Electric
5	56027 906AB	1	J, T			EPE		SWITCH, Power Steering
6								HOSE, Power Steering, see group 19, (NOT SERVICED)

JEEP CHEROKEE (XJ)				
SERIES	LINE	BODY	ENGINE	TRANSMISSION
P = Limited	J = LHD (4WD)	74=4 Dr. (101.4 WB)	ENC, EN0 = 2.5L 4 Cyl Turbo	DDD = 5 Speed Manual
S = Limited	U = RHD (4WD)	72=2 Dr. (101.4 WB)	ERH, ER0 = 4.0L Power Tech	DGS = 4 Speed Auto AISIN
H = Sport	T = LHD (2WD)			DG0 = All Automatic Trans
L = SE	B = RHD (2WD)			DBB = All Manual Trans

AR = Use as required - = Non illustrated part # = New this model year

Switches Body Figure 008-815

ITEM	PART NUMBER	QTY	LINE	SERIES	BODY	ENGINE	TRANS	DESCRIPTION
1	56007 695AC	1			74			SWITCH, Power Window
2	4373 666	2	J, T		74			SWITCH, Seat
		2	U		74			
		1	J		72			
3	56007 678AB	1						SWITCH, Mirror
4	56009 571AC	1	B, U		74			SWITCH, Window and Door Lock
5	56009 449AC	1	J, T		74			SWITCH, Window and Door Lock
		1	J, T		72			
6	5015 872AA	1	J, T			EP0		SWITCH, A/C Low Pressure Cut Off
		1	J, T			EN0		
		1	B, U			EN0,		
		1	B, U			EP0		
		1	J, T			ER0		
7	4897 617AA	1	J, T			EP0		SWITCH, A/C High Pressure Cut Off
		1	B, U			EP0		
		1	J, T			EN0		
		1	B, U			ER0		
		1	J, T			ER0		
8	5600 5640	1						SWITCH, Alarm and Cargo Lamp
9	56006 315AB	1						SWITCH, Anti Lock Brake Accelarat
10	56007 695AC	1			74			SWITCH, Power Window
11	4373 296	2			74			SWITCH, Door Ajar, Front or Rear
12	56009 451AC	1	J, T		74			SWITCH, Window and Door Lock
		1	J, T		72			
13	56009 512AC	1	B, U		74			SWITCH, Window and Door Lock



JEEP CHEROKEE (XJ)

SERIES	LINE	BODY	ENGINE	TRANSMISSION
P = Limited	J = LHD (4WD)	74=4 Dr. (101.4 WB)	ENC, EN0 = 2.5L 4 Cyl Turbo	DDD = 5 Speed Manual
S = Limited	U = RHD (4WD)	72=2 Dr. (101.4 WB)	ERH, ER0 = 4.0L Power Tech	DGS = 4 Speed Auto AISIN
H = Sport	T = LHD (2WD)			DG0 = All Automatic Trans
L = SE	B = RHD (2WD)			DBB = All Manual Trans

AR = Use as required - = Non illustrated part # = New this model year

May 2, 2002

Horns Figure 008-910

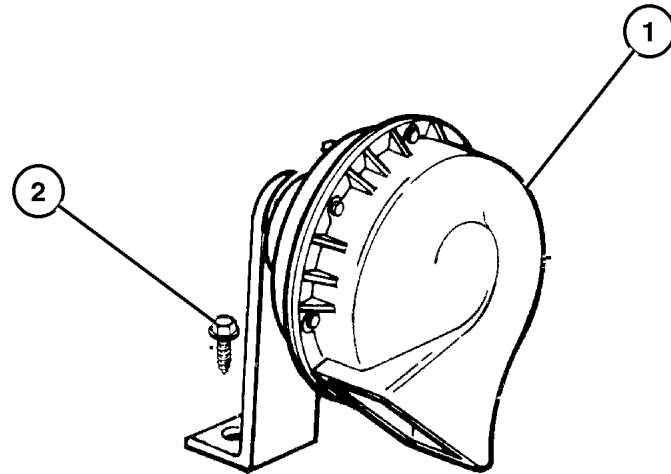
ITEM	PART NUMBER	QTY	LINE	SERIES	BODY	ENGINE	TRANS	DESCRIPTION
------	-------------	-----	------	--------	------	--------	-------	-------------

Notes: Sales Codes: are on The Truck

[EP0]=2.5L Engine are on The Truck

[ER0]=4.0L Engine are on The Truck

1	5600 9614	1						HORN, High Note
2	3420 2606	2	J, T			EP0		BOLT, Hex Head
-3	5600 9573	1						HORN, Low Note
-4	6024 030	1				ER0		SCREW AND WASHER, Hex



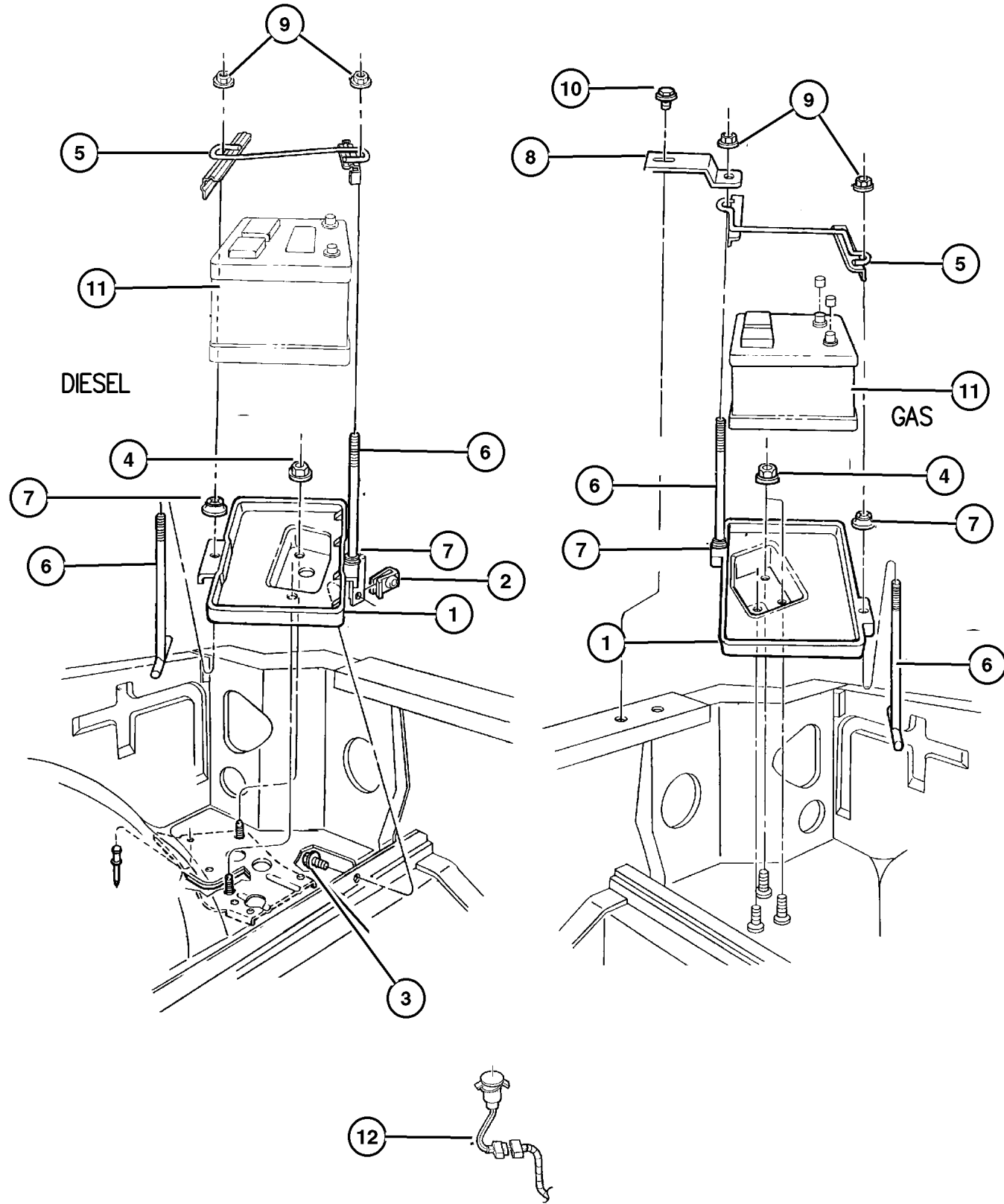
JEEP CHEROKEE (XJ)

SERIES	LINE	BODY	ENGINE	TRANSMISSION
P = Limited	J = LHD (4WD)	74=4 Dr. (101.4 WB)	ENC, EN0 = 2.5L 4 Cyl Turbo	DDD = 5 Speed Manual
S = Limited	U = RHD (4WD)	72=2 Dr. (101.4 WB)	ERH, ER0 = 4.0L Power Tech	DGS = 4 Speed Auto AISIN
H = Sport	T = LHD (2WD)			DG0 = All Automatic Trans
L = SE	B = RHD (2WD)			DBB = All Manual Trans

AR = Use as required - = Non illustrated part # = New this model year

May 2, 2002

Battery Tray Figure 008-1005



ITEM	PART NUMBER	QTY	LINE	SERIES	BODY	ENGINE	TRANS	DESCRIPTION
Notes: Sales Codes: are on The Truck [EP0]=2.5L Engine are on The Truck [ER0]=4.0L Engine are on The Truck [EN0]=4 Cylinder Turbo Engine are on The Truck								
1								TRAY, Battery
	5517 4970	1				EN0		
	55235 819AA	1				EP0, ER0		
2								NUT, U Type Multi Thread, M8 x 1.25, (NOT SERVICED)
3	1150 2693	1				EN0		BOLT, Hex Flange Head, M8-1.25x20.0
4								NUT AND CONED WASHER, M8x1.25, (NOT SERVICED)
5								BRACKET, Battery Hold Down
	5501 0722	1				EP0, ER0		
	5501 1012	1				EN0		
6	55014 375AB	2						BOLT, J, M8x1.25x192
7								RETAINER, Battery Hold Down, (NOT SERVICED)
8	5534 6107	1				EP0, ER0		STRAP, Battery
9	6101 809	2						NUT AND WASHER, Hex, M8x1.25
10	6101 455	1						SCREW AND WASHER, Hex Head, M6x1x20
11								COVER, Battery
	5517 6267	1				EN0		
	56041 001AB	1				EP0, ER0		
12								SENSOR, Battery Temperature
	5602 7332	1				EP0, ER0		
	5604 1053	1				EN0		

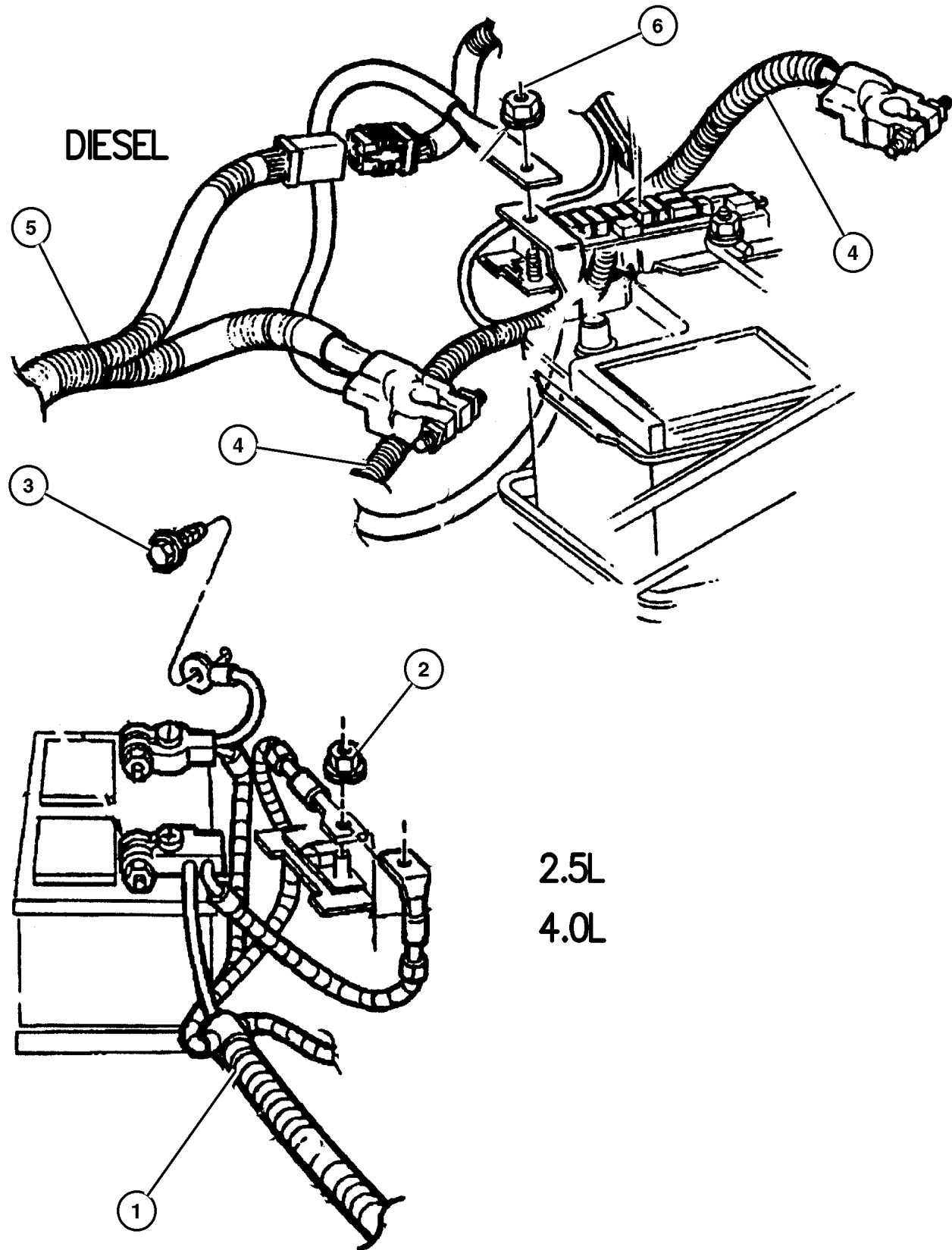
JEEP CHEROKEE (XJ)

SERIES	LINE	BODY	ENGINE	TRANSMISSION
P = Limited	J = LHD (4WD)	74=4 Dr. (101.4 WB)	ENC, EN0 = 2.5L 4 Cyl Turbo	DDD = 5 Speed Manual
S = Limited	U = RHD (4WD)	72=2 Dr. (101.4 WB)	ERH, ER0 = 4.0L Power Tech	DGS = 4 Speed Auto AISIN
H = Sport	T = LHD (2WD)			DG0 = All Automatic Trans
L = SE	B = RHD (2WD)			DBB = All Manual Trans

AR = Use as required - = Non illustrated part # = New this model year

May 2, 2002

Battery Cables
Figure 008-1010



ITEM	PART NUMBER	QTY	LINE	SERIES	BODY	ENGINE	TRANS	DESCRIPTION
Note: Sales Codes: are on The Truck								
[DBB] = All Manual Transmissions are on The Truck								
[DGO] = All Automatic Transmissions are on The Truck								
[EN0] = All Turbo Diesel Engines are on The Truck								
[ER0] = All 4.0L 6 Cyl Gas Engines are on The Truck								
1	56009 782AD	1	J, U				DBB	WIRING, Battery with 2.5L Engine
		1	B, T				DGO	with 2.5L Engine
	#56009 783AE	1				ER0		with 4.0L Engine
2	6035 723	1						NUT AND WASHER, Hex Nut-E Teeth Washer, .312-18
3								SCREW, Self Piercing, .25-14x.625, (NOT SERVICED)
4	5600 9787	1				EN0		WIRING, Battery Negative
5	56009 785AD	1				EN0		WIRING, Battery Positive
6	6502 691	1				ER0		NUT, Hex Flange Lock, M6x1
		1				EN0		

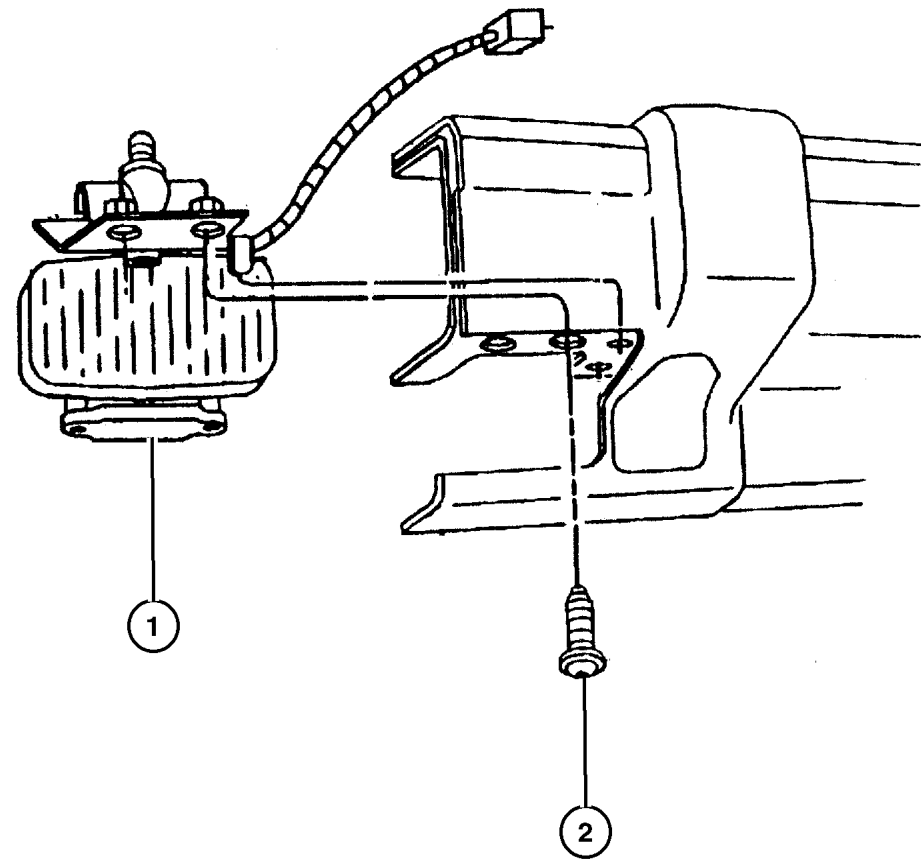
JEEP CHEROKEE (XJ)				
SERIES	LINE	BODY	ENGINE	TRANSMISSION
P = Limited	J = LHD (4WD)	74=4 Dr. (101.4 WB)	ENC, EN0 = 2.5L 4 Cyl Turbo	DDD = 5 Speed Manual
S = Limited	U = RHD (4WD)	72=2 Dr. (101.4 WB)	ERH, ER0 = 4.0L Power Tech	DGS = 4 Speed Auto AISIN
H = Sport	T = LHD (2WD)			DGO = All Automatic Trans
L = SE	B = RHD (2WD)			DBB = All Manual Trans

AR = Use as required - = Non illustrated part # = New this model year

May 2, 2002

Lamps Fog
Figure 008-1135

ITEM	PART NUMBER	QTY	LINE	SERIES	BODY	ENGINE	TRANS	DESCRIPTION
1								LAMP AND BRACKET, Off Road Lamp
	55055 274AB	1						Right
	55055 275AB	1						Left
2	6503 154	1						SCREW AND WASHER, Round Head, M8x1.25x20
-3	4728 646	1						BULB PACKAGE, 55 Watt

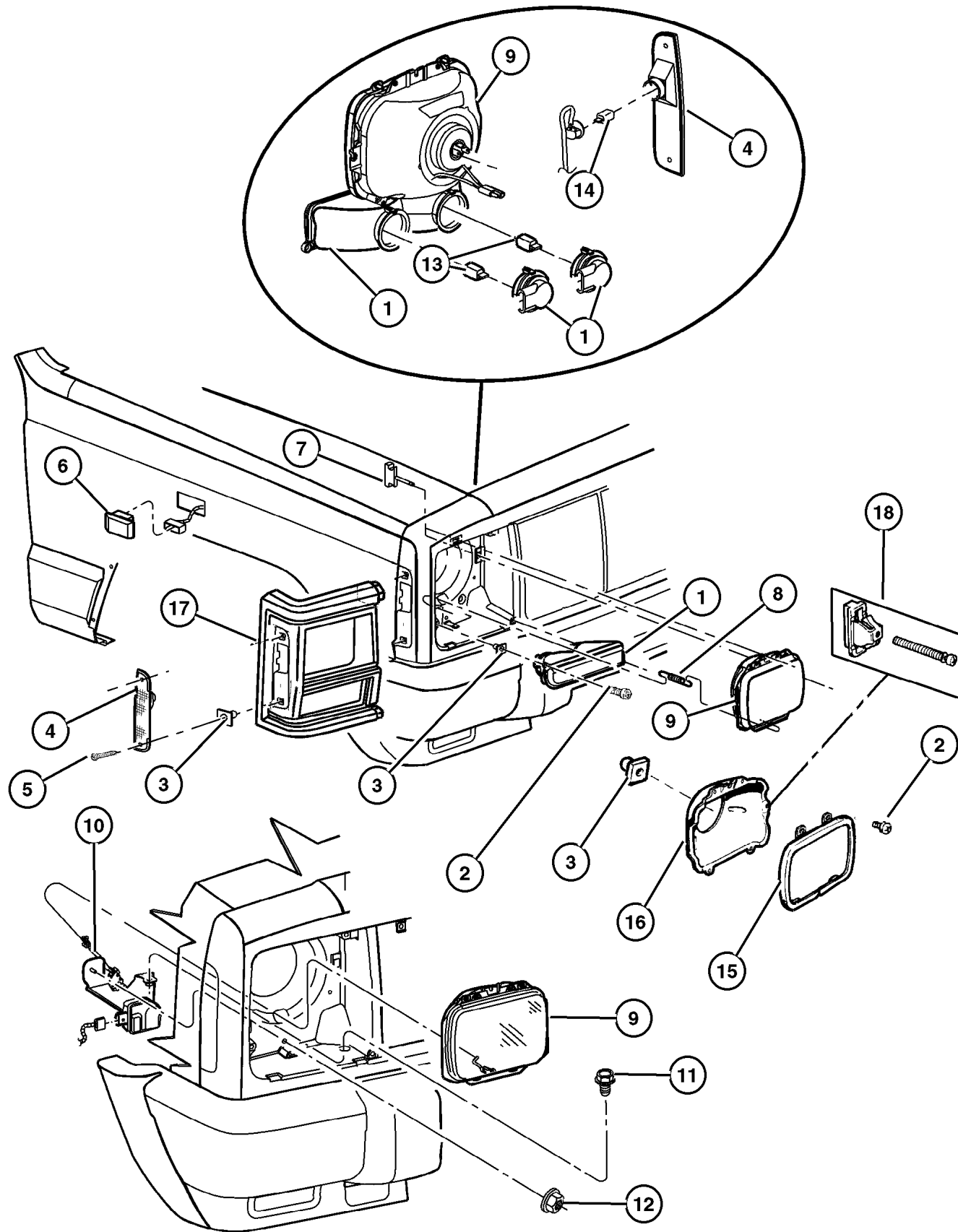


JEEP CHEROKEE (XJ)				
SERIES	LINE	BODY	ENGINE	TRANSMISSION
P = Limited	J = LHD (4WD)	74=4 Dr. (101.4 WB)	ENC, EN0 = 2.5L 4 Cyl Turbo	DDD = 5 Speed Manual
S = Limited	U = RHD (4WD)	72=2 Dr. (101.4 WB)	ERH, ER0 = 4.0L Power Tech	DGS = 4 Speed Auto AISIN
H = Sport	T = LHD (2WD)			DG0 = All Automatic Trans
L = SE	B = RHD (2WD)			DBB = All Manual Trans

AR = Use as required - = Non illustrated part # = New this model year

May 2, 2002

Lamps Front
Figure 008-1140



ITEM	PART NUMBER	QTY	LINE	SERIES	BODY	ENGINE	TRANS	DESCRIPTION
1								LAMP, Park and Turn Signal
	5505 5142	1						Right
	5505 5143	1						Left
2	3420 1230	4						SCREW, Round Washer Head AB
3	6035 657	4						NUT, Plastic Snap-In, For .164-15 Screw
4								LAMP, Side Marker
	5505 5146	1						USA, Mexico & Canada, Right
	5505 5147	1						USA, Mexico & Canada, Left
	5505 5148	1	J, U					Europe, Right
	5505 5149	1	J, U					Europe, Left
5								SCREW, Pan Head, M4.2x1.41x20, (NOT SERVICED)
6	5505 5014	2	J, U					LAMP, Side Repeater, Europe
7	55054 621AB	4						SCREW AND NUT, Headlamp Adjustment
8	3600 0885	2						SPRING, Headlamp Adjusting
9								HEADLAMP
	55055 301AF	1						Domestic with out Leveling (Type 2B1), Left
	55055 300AF	1						Domestic with out Leveling (Type 2B1), Right
	55055 298AE	1	J, T					Europe with Leveling, Right
	55055 299AE	1	J, T					Europe with Leveling, Left
	55155 331AE	1	B, U					Europe with Leveling, Left
	55155 330AE	1	B, U					Europe with Leveling, Right
	55055 297AE	1	B, U					Europe with out Leveling, Left
	55055 296AE	1	B, U					Europe with out Leveling, Right
	55055 303AE	1	J, T					Europe with out Leveling (Clear), Left
	55055 302AE	1	J, T					Europe with out Leveling (Clear), Right
10								ACTUATOR, Headlamp
	55055 240AC	1						Right
	55055 241AC	1						Left
11	6101 455	2						SCREW AND WASHER, Hex Head, M6x1x20
12	6100 044	2						NUT AND WASHER, Hex, m5x0.80
13	L000 3157	4						BULB, 3157, Front Park/Turn Signal
14	L000 0168	2						BULB, 168
15								RETAINER, Headlamp Bulb
	4897 199AC	1	J, T					with Leveling
		1	B, U					with Leveling
	4897 198AA	1	B, U					without Leveling
		1	J, T					without Leveling
16								SEAT, Headlamp

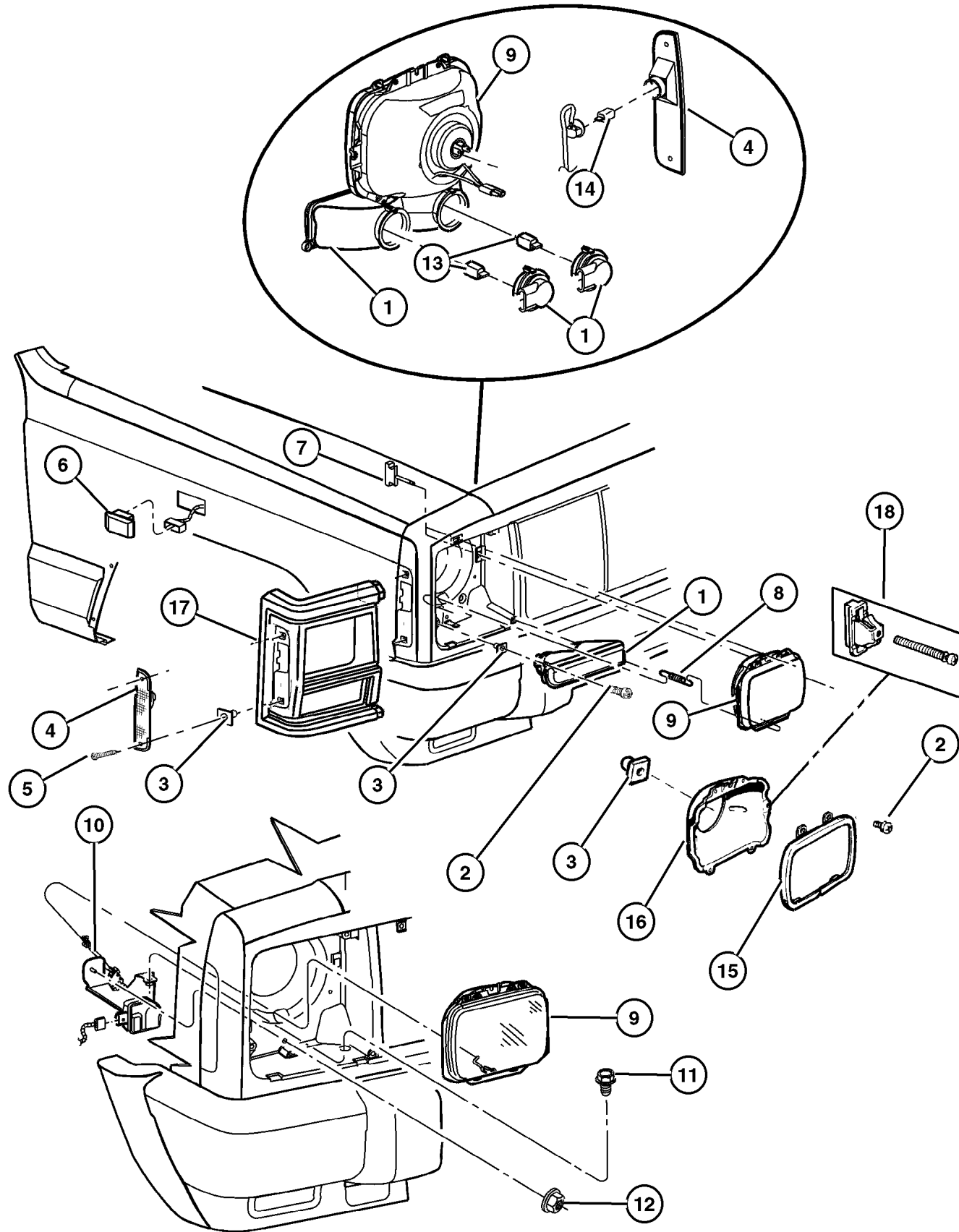
JEEP CHEROKEE (XJ)

SERIES	LINE	BODY	ENGINE	TRANSMISSION
P = Limited	J = LHD (4WD)	74=4 Dr. (101.4 WB)	ENC, EN0 = 2.5L 4 Cyl Turbo	DDD = 5 Speed Manual
S = Limited	U = RHD (4WD)	72=2 Dr. (101.4 WB)	ERH, ER0 = 4.0L Power Tech	DGS = 4 Speed Auto AISIN
H = Sport	T = LHD (2WD)			DG0 = All Automatic Trans
L = SE	B = RHD (2WD)			DBB = All Manual Trans

AR = Use as required - = Non illustrated part # = New this model year

May 2, 2002

Lamps Front
Figure 008-1140



ITEM	PART NUMBER	QTY	LINE	SERIES	BODY	ENGINE	TRANS	DESCRIPTION
	4897 196AB	1						Right
	4897 197AB	1						Left
17	5505 5137	1						BEZEL, Headlamp Black, Left
	5505 5136	1						Black, Right
	5EM7 3SW1	1						P.A.R. (Body Color), Left
	5EM7 2SW1	1						P.A.R. (Body Color), Right
	55156 030AA	1						Chrome, Right
	55156 031AA	1						Chrome, Left
18	55054 621AB	4						SCREW AND NUT, Headlamp Adjustment
-19	5505 4827	1	B, U					BULB, Headlamp (Europe) Bulbs J3242537 & 4882328 Included
	5600 0887	1	J, T					(Europe) Bulbs J3242537 & L0003893 Included
-20	J324 2537	1	B, U					BULB, H4 Clear Europe
		1	J, T					Europe
-21	4882 328	1	B, U					BULB, 4 Watt - Bayonette Type, Europe
-22	L000 3893	1	J, T					BULB, T8/4, Europe
-23	0154 911AA	1						BULB, H6054BL, Domestic
-24								LABEL, Headlamp Leveling, (NOT SERVICED)

JEEP CHEROKEE (XJ)

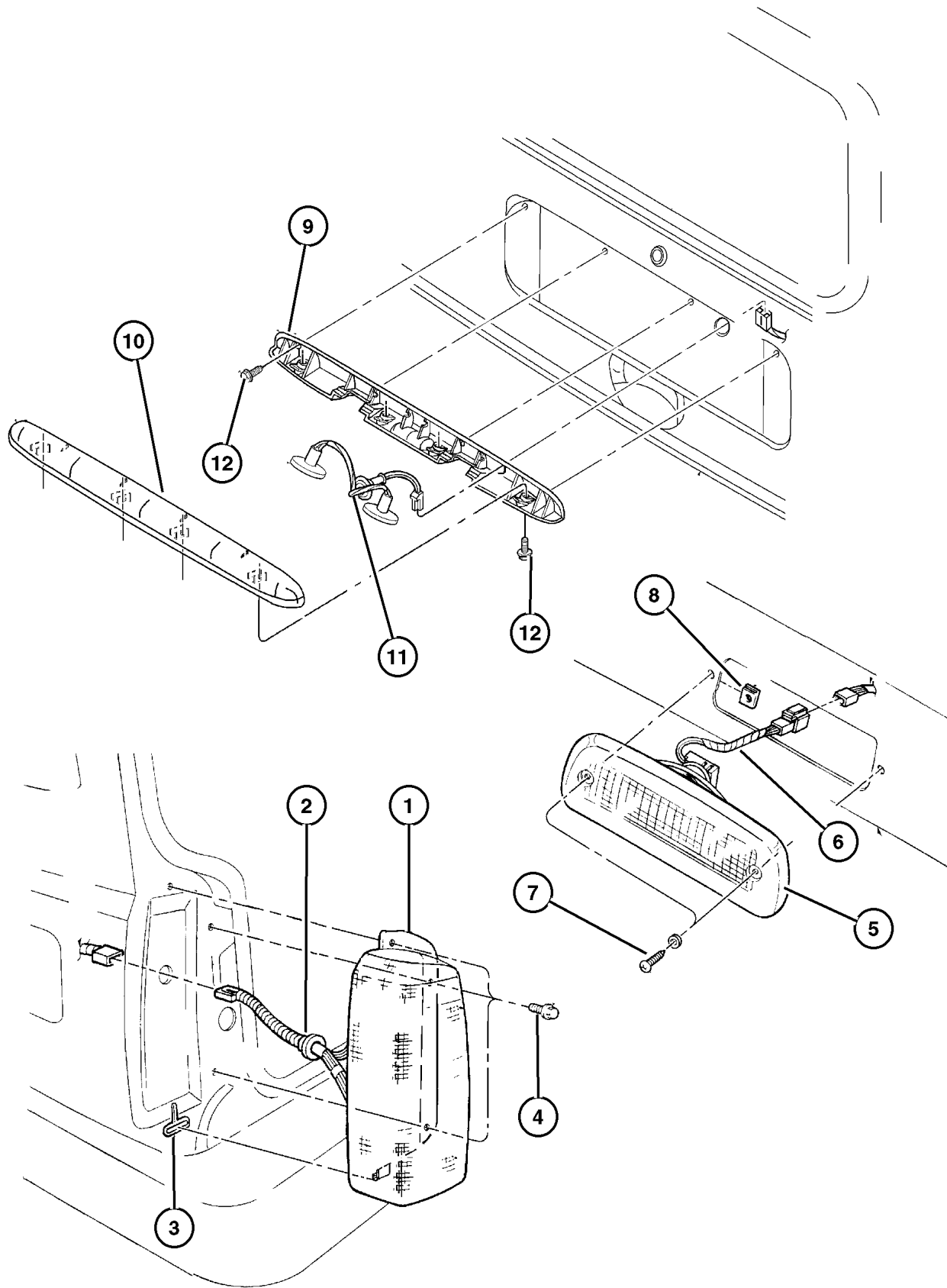
SERIES	LINE	BODY	ENGINE	TRANSMISSION
P = Limited	J = LHD (4WD)	74=4 Dr. (101.4 WB)	ENC, EN0 = 2.5L 4 Cyl Turbo	DDD = 5 Speed Manual
S = Limited	U = RHD (4WD)	72=2 Dr. (101.4 WB)	ERH, ER0 = 4.0L Power Tech	DGS = 4 Speed Auto AISIN
H = Sport	T = LHD (2WD)			DG0 = All Automatic Trans
L = SE	B = RHD (2WD)			DBB = All Manual Trans

AR = Use as required - = Non illustrated part # = New this model year

May 2, 2002

Lamps Rear Figure 008-1155

ITEM	PART NUMBER	QTY	LINE	SERIES	BODY	ENGINE	TRANS	DESCRIPTION
1								LAMP, Tail Stop Turn
	4897 398AA	1						USA/Canada (Right)
	4897 399AA	1						USA/Canada (Left)
	4897 400AC	1	J, U					w/Export Equipment Package (Right)
	4897 401AC	1	J, U					w/Export Equipment Package (Left)
2								WIRING, Taillamp
	56009 642AB	1	J, U					Europe
		1	J, U					
3	4676 350	2						GROMMET, Lamp
4	6504 016	6						SCREW AND WASHER, M6x20
5	55155 614AE	1						LAMP, High Mounted Stop
6	5600 8722	1						WIRING, High Mounted Stop Lamp
7								SCREW, .164-18x1.00, (NOT SERVICED)
8	6036 042AA	2						NUT/SPRING, Snap In, .164-18
9	55155 612AB	1						LAMP, License Plate, USA/CANADA
10								COVER, Lamp
	5FL86 DX9AB	1						P.A.R.
	55156 011AC	1						Chrome
11	5600 9643	1						WIRING, License Lamp, USA/CANADA
12	6033 718	4						SCREW, Tapping, .19-16x.625
-13	L000 0168	2						BULB, 168
-14	L002 825W5W	2	J, U					BULB, W10/5
-15	0154 851AA	4						BULB, 3157



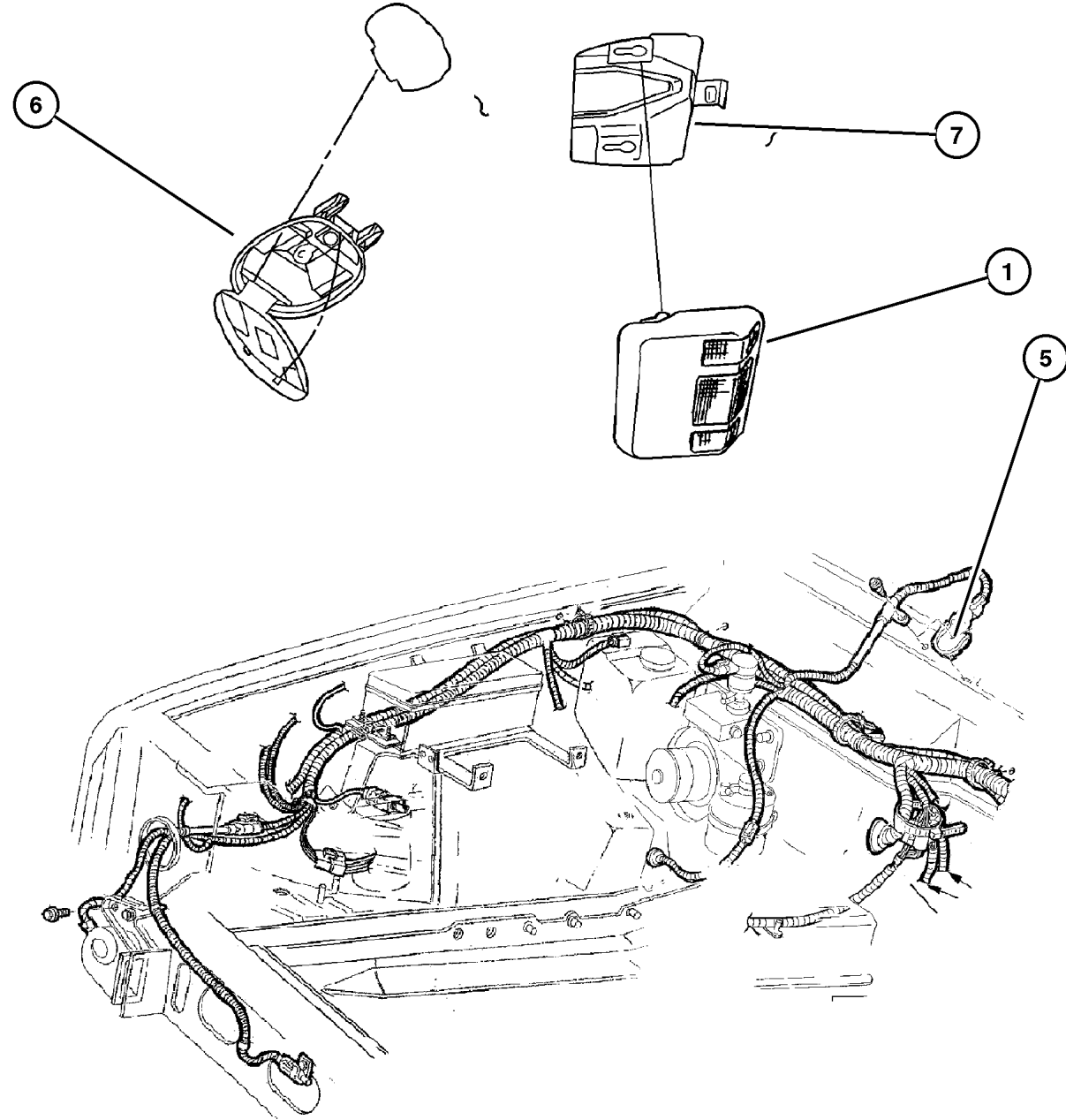
JEEP CHEROKEE (XJ)

SERIES	LINE	BODY	ENGINE	TRANSMISSION
P = Limited	J = LHD (4WD)	74=4 Dr. (101.4 WB)	ENC, EN0 = 2.5L 4 Cyl Turbo	DDD = 5 Speed Manual
S = Limited	U = RHD (4WD)	72=2 Dr. (101.4 WB)	ERH, ER0 = 4.0L Power Tech	DGS = 4 Speed Auto AISIN
H = Sport	T = LHD (2WD)			DG0 = All Automatic Trans
L = SE	B = RHD (2WD)			DBB = All Manual Trans

AR = Use as required - = Non illustrated part # = New this model year

May 2, 2002

Lamps Cargo - Dome - Underhood
Figure 008-1165



ITEM	PART NUMBER	QTY	LINE	SERIES	BODY	ENGINE	TRANS	DESCRIPTION
1								LAMP, Dome And Reading
	5GJ32 HW8AE	1						Light Quartz (w/Lens)
	5GJ32 RK5AE	1						Tan/Agate (w/Lens)
-2	56042 072AB	1						LENS, Reading Lamp
-3	L000 0561	1						BULB, 561
-4								LAMP, Cargo
	5FY15 HW8AA	1						Quartz
	5FY15 RK5AA	1						Tan/Agate
5	5602 1441	1						LAMP, Underhood
6								LAMP, Dome
	JV76 HW8	1						Quartz
	JV76 RK5	1						Tan/Agate
7	55352 764AA	1						BRACKET, Dome Lamp
-8	L000 0906	2						BULB, 906
-9	55352 754AA	1						BRACKET, Dome Lamp, Front of Headliner

JEEP CHEROKEE (XJ)

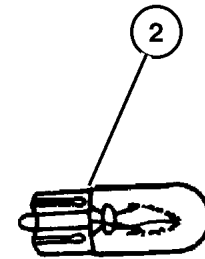
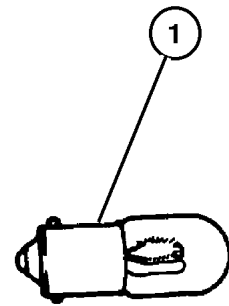
SERIES	LINE	BODY	ENGINE	TRANSMISSION
P = Limited	J = LHD (4WD)	74=4 Dr. (101.4 WB)	ENC, EN0 = 2.5L 4 Cyl Turbo	DDD = 5 Speed Manual
S = Limited	U = RHD (4WD)	72=2 Dr. (101.4 WB)	ERH, ER0 = 4.0L Power Tech	DGS = 4 Speed Auto AISIN
H = Sport	T = LHD (2WD)			DG0 = All Automatic Trans
L = SE	B = RHD (2WD)			DBB = All Manual Trans

AR = Use as required - = Non illustrated part # = New this model year

May 2, 2002

Bulbs Figure 008-1170

ITEM	PART NUMBER	QTY	LINE	SERIES	BODY	ENGINE	TRANS	DESCRIPTION
Notes: Sales Codes: are on The Truck								
[EP0]=2.5L Engine are on The Truck								
[ER0]=4.0L Engine are on The Truck								
[EN0]=4 Cylinder Turbo Engine are on The Truck								
[DG0]=Automatic Transmission are on The Truck								
[DBB]=Manual Transmission are on The Truck								
1	0154 851AA	4						BULB, 3157
2	L000 0168	2						BULB, 168
-3	L000 0561	1						BULB, 561
-4								BULB, 658
	L000 0658	2	J, U				DG0	
		1	J, U				DBB	
-5								BULB, 74
	L000 0074	1				EP0, ER0 EN0		
		1	B, U					



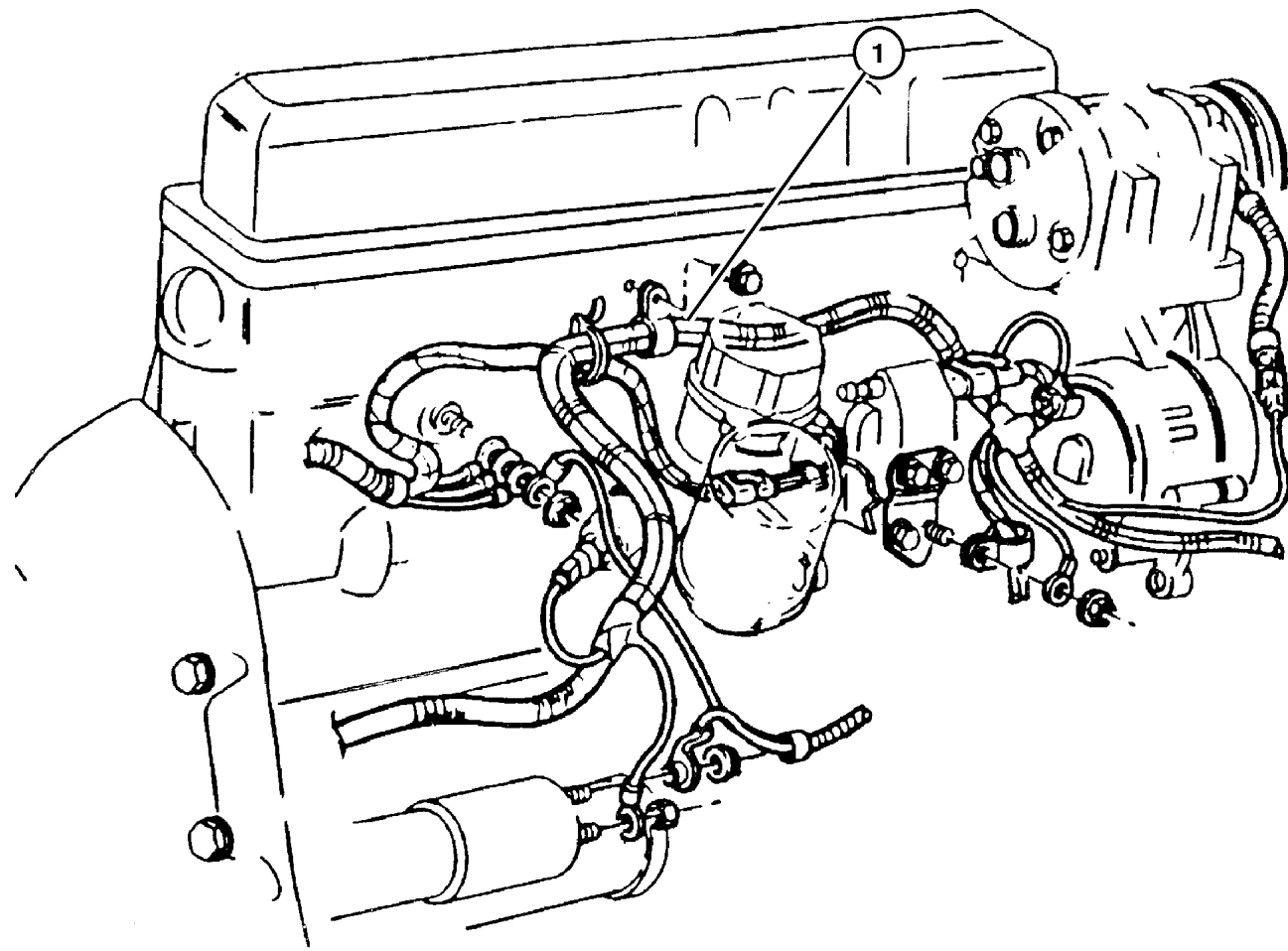
JEEP CHEROKEE (XJ)

SERIES	LINE	BODY	ENGINE	TRANSMISSION
P = Limited	J = LHD (4WD)	74=4 Dr. (101.4 WB)	ENC, EN0 = 2.5L 4 Cyl Turbo	DDD = 5 Speed Manual
S = Limited	U = RHD (4WD)	72=2 Dr. (101.4 WB)	ERH, ER0 = 4.0L Power Tech	DGS = 4 Speed Auto AISIN
H = Sport	T = LHD (2WD)			DG0 = All Automatic Trans
L = SE	B = RHD (2WD)			DBB = All Manual Trans

AR = Use as required - = Non illustrated part # = New this model year

May 2, 2002

**Wiring Engine & Related Parts
Figure 008-1210**



ITEM	PART NUMBER	QTY	LINE	SERIES	BODY	ENGINE	TRANS	DESCRIPTION
Notes: Sales Codes: are on The Truck								
[ER0]=4.0L Engine are on The Truck								
[EN0]=4 Cylinder Turbo Engine are on The Truck								
[DG0]=Automatic Transmission are on The Truck								
[DBB]=Manual Transmission are on The Truck								
1								WIRING, Engine
	56009 781AC	1				EN0	DBB	Diesel Engine
	#56041 498AB	1	B, T			ER0		2WD with Leaded Fuel / European III Emissions
	#56041 499AB	1	J, U			ER0	DG0	4WD with Leaded Fuel / European III Emissions (Command or Select Trac)
	#56041 500AB	1	J, U			ER0	DBB	4WD with Leaded Fuel / European II Emissions (Command Trac Part Time)
	#56041 501AB	1	B, T			ER0		2WD with US 50 States Emission
	#56041 502AB	1	J, U			ER0	DG0	4WD with US 50 States Emission (Command or Select Trac)
	#56041 611AB	1	J, U			ER0	DBB	4WD with US 50 States Emission (Command Trac Full Time)
-2	00AT M15	1						FUSE, Mini, 15 AMP, Light Blue
-3	00AT M10	1						FUSE, Mini, 10 AMP, Red
-4	00AT M20	1						FUSE, Mini, 20 AMP, Yellow
-5	00MA X30	3						FUSE, Maxi, 30 Amp, Green
-6	00MA X40	5						FUSE, Maxi, 40 AMP, Amber
-7	00MA X50	1						FUSE, Maxi, 50 AMP, Red
-8								COVER, Power Distribution Center
	56038 361AD	AR						Top (Diesel)
	56038 363AC	AR						Top (Gas)
	5603 8364	1						Bottom (Diesel)
		1						Bottom (Gas)
-9								WIRING, Transfer Case Jumper
	56041 612AA	1	J, U					242 Transfer Case
	56041 613AA	1	J, U			ER0	DG0	231 Transfer Case
-10	5600 0761	1				ER0		WIRING, Engine Ground
-11								WIRING, Jumper
	56041 385AB	1				EN0		Oil Pressure
	5600 9790	1				EN0		Alternator

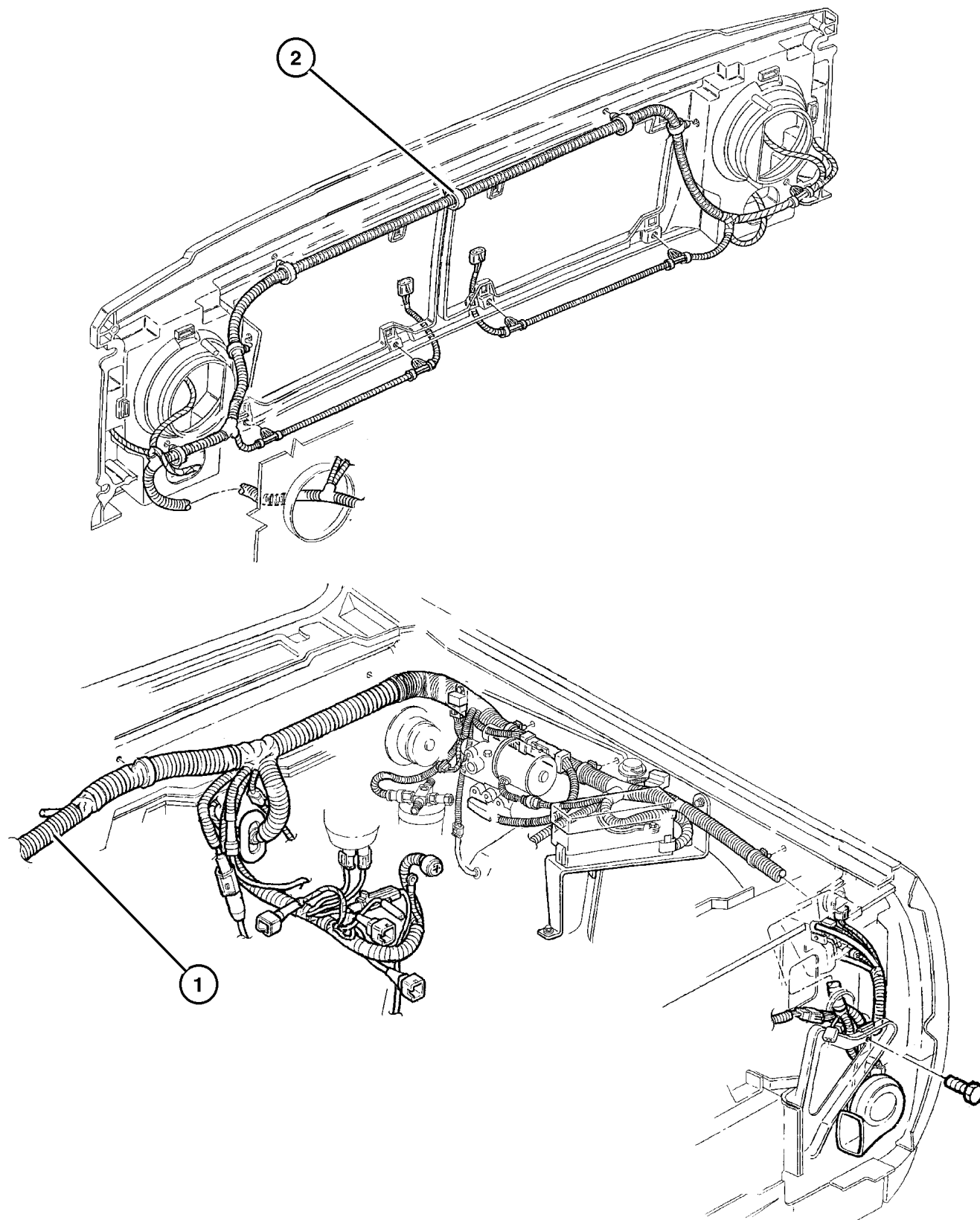
JEEP CHEROKEE (XJ)

SERIES	LINE	BODY	ENGINE	TRANSMISSION
P = Limited	J = LHD (4WD)	74=4 Dr. (101.4 WB)	ENC, EN0 = 2.5L 4 Cyl Turbo	DDD = 5 Speed Manual
S = Limited	U = RHD (4WD)	72=2 Dr. (101.4 WB)	ERH, ER0 = 4.0L Power Tech	DGS = 4 Speed Auto AISIN
H = Sport	T = LHD (2WD)			DG0 = All Automatic Trans
L = SE	B = RHD (2WD)			DBB = All Manual Trans

AR = Use as required - = Non illustrated part # = New this model year

May 2, 2002

**Wiring Headlamp / Dash
Figure 008-1310**



ITEM	PART NUMBER	QTY	LINE	SERIES	BODY	ENGINE	TRANS	DESCRIPTION
Notes: Sales Codes: are on The Truck [EP0]=2.5L Engine are on The Truck [ER0]=4.0L Engine are on The Truck [EN0]=4 Cylinder Turbo Engine are on The Truck [DG0]=Automatic Transmission are on The Truck [DBB]=Manual Transmission are on The Truck								
1	56009 743AG	1	J, T			ER0	DG0	WIRING, Headlamp to Dash with Daytime Running Lights, Headlamp Leveling, 6 Infinity
	56009 745AG	1	J, T			ER0	DBB	Speaker System & without Foglamp & ABS, without Daytime Running Lights & with ABS
	#56009 745AH	1	J, T			ER0	DBB	with Daytime Running Lights & without ABS
	#56009 746AH	1	J, T			ER0	DBB	with Daytime Running Lights & with ABS
	#56009 747AH	1	J, T			ER0	DBB	without Daytime Running Lights & without ABS
	56009 749AG	1	B, U			ER0	DG0	without ABS
	56009 750AG	1	B, U			ER0	DG0	with ABS
	56009 751AH	1	U			EN0		with ABS
	56009 752AH	1	B, U			EN0		without ABS
	#56009 753AH	1	J			EN0		with ABS
	56009 754AG	1	J			EN0		without ABS
	56009 740AG	1	J, T			ER0	DG0	w/Daytime Running Lights & w/o ABS
	56009 741AG	1	J, T			ER0	DG0	w/Daytime Running Lights & w/ABS
	#56010 455AA	1	B, U			ER0	DG0	Rural letter carrier
	56009 739AG	1	J, T			ER0	DG0	W/ABS & without Daytime Running Light
2	56007 684AD	1						WIRING, Front End Lighting without Headlamp Leveling & without Foglamp
	56007 628AE	1	J, U					with Headlamp Leveling
	56007 686AE	1	J, U					without Headlamp Leveling
	56007 687AD	1						without Headlamp Leveling & with Foglamp
-3	56007 685AB	2	J, U					WIRING, Turn Signal Lamp

JEEP CHEROKEE (XJ)

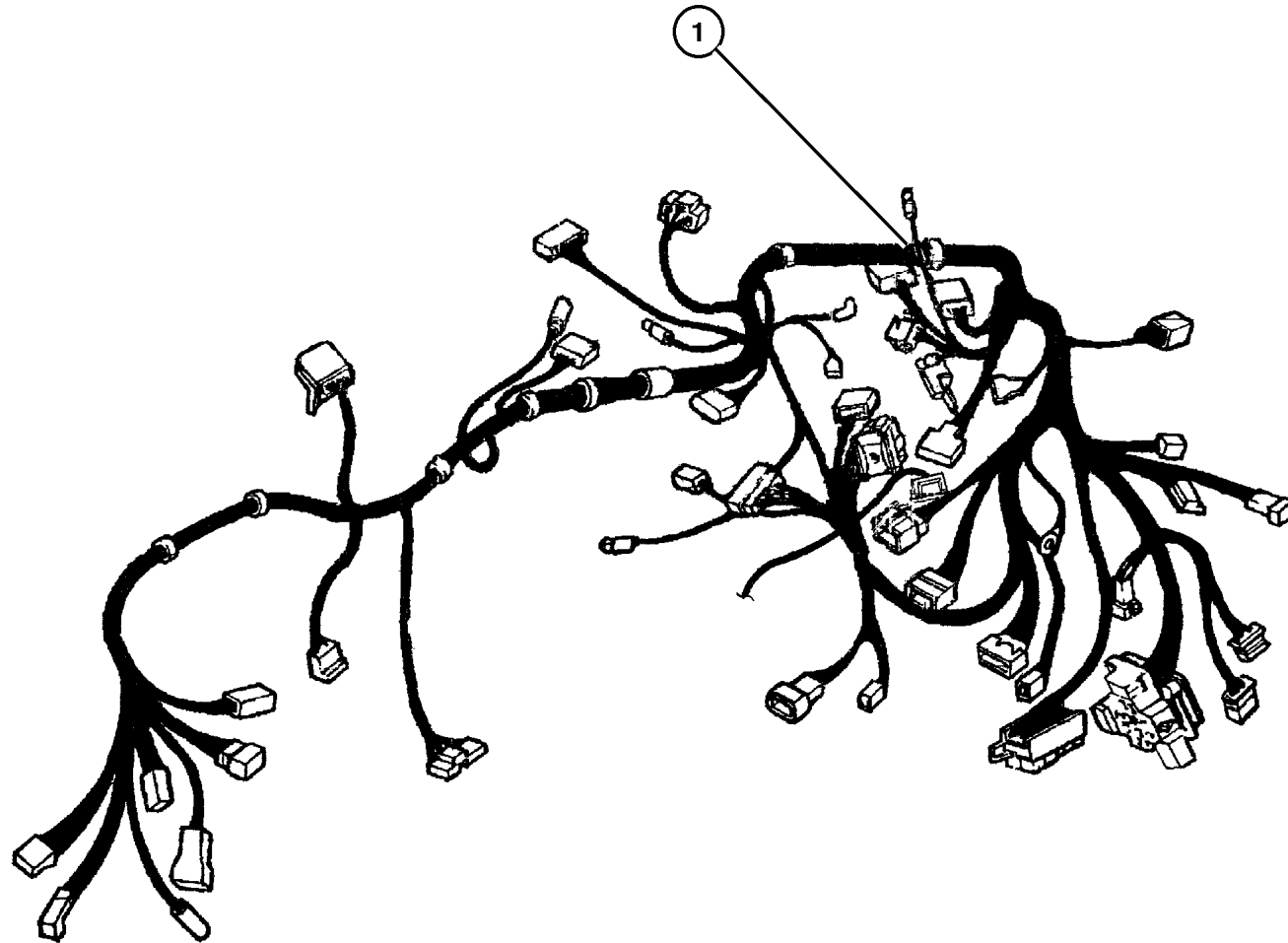
SERIES	LINE	BODY	ENGINE	TRANSMISSION
P = Limited	J = LHD (4WD)	74=4 Dr. (101.4 WB)	ENC, EN0 = 2.5L 4 Cyl Turbo	DDD = 5 Speed Manual
S = Limited	U = RHD (4WD)	72=2 Dr. (101.4 WB)	ERH, ER0 = 4.0L Power Tech	DGS = 4 Speed Auto AISIN
H = Sport	T = LHD (2WD)			DG0 = All Automatic Trans
L = SE	B = RHD (2WD)			DBB = All Manual Trans

AR = Use as required - = Non illustrated part # = New this model year

May 2, 2002

**Wiring Instrument Panel
Figure 008-1410**

ITEM	PART NUMBER	QTY	LINE	SERIES	BODY	ENGINE	TRANS	DESCRIPTION
1								WIRING, Instrument Panel
	56009 791AI	1	J, T					USA/CANADA
	56009 795AI	1	J					EUROPE
	56009 797AI	1	J, T					w/Police Package
	56009 799AM	1	U					With rural letter carrier package
	56009 802AH	1	J, T					I/Panel Floor
-2	5601 7442	2						WIRING, Courtesy Lamp
-3	56009 715AB	1						COVER, Fuse Access
-4	56007 573AE	1						JUNCTION BLOCK, Multifunction Module



JEEP CHEROKEE (XJ)				
SERIES	LINE	BODY	ENGINE	TRANSMISSION
P = Limited	J = LHD (4WD)	74=4 Dr. (101.4 WB)	ENC, EN0 = 2.5L 4 Cyl Turbo	DDD = 5 Speed Manual
S = Limited	U = RHD (4WD)	72=2 Dr. (101.4 WB)	ERH, ER0 = 4.0L Power Tech	DGS = 4 Speed Auto AISIN
H = Sport	T = LHD (2WD)			DG0 = All Automatic Trans
L = SE	B = RHD (2WD)			DBB = All Manual Trans

AR = Use as required - = Non illustrated part # = New this model year

May 2, 2002

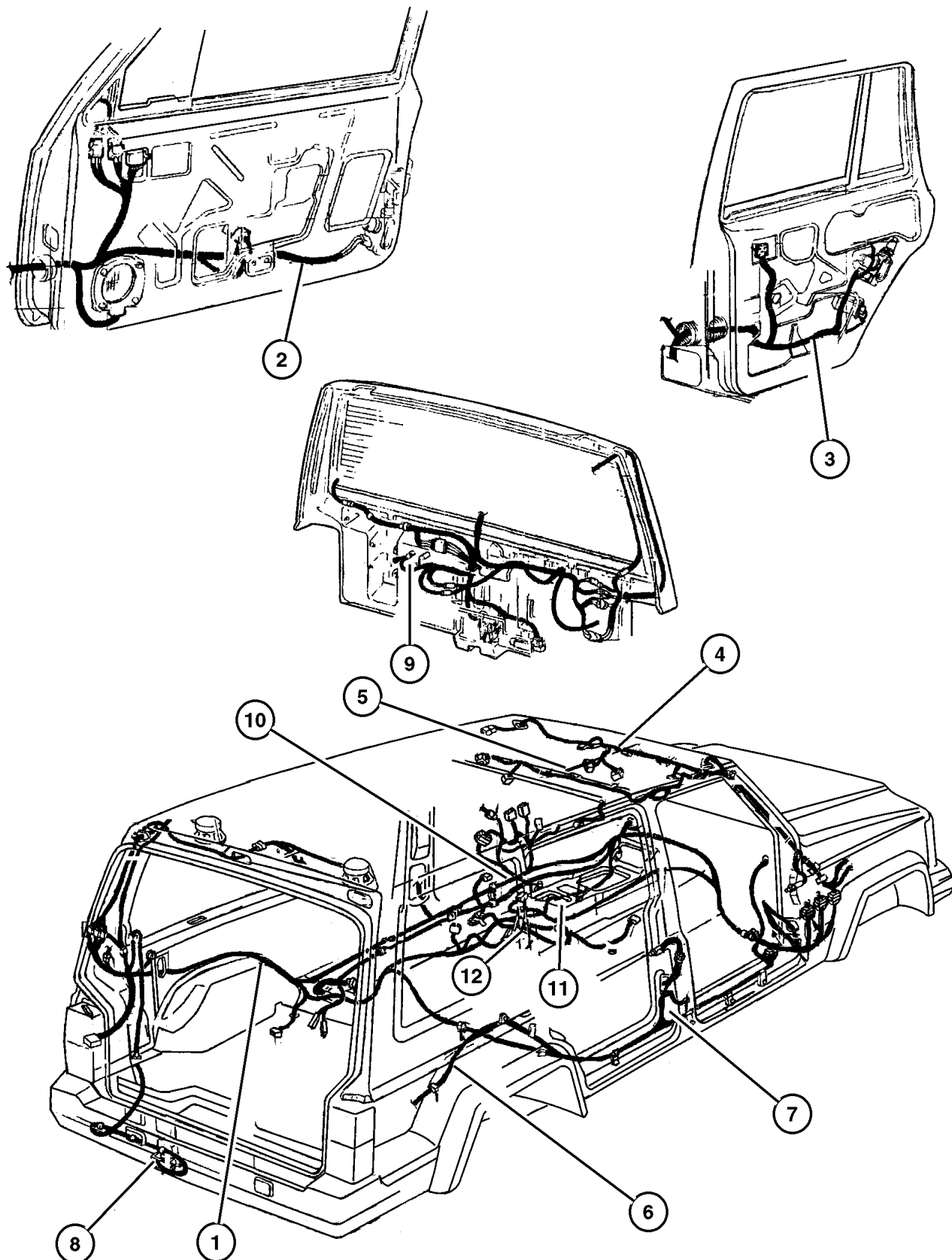
Wiring Body & Accessories
Figure 008-1510

ITEM	PART NUMBER	QTY	LINE	SERIES	BODY	ENGINE	TRANS	DESCRIPTION
------	-------------	-----	------	--------	------	--------	-------	-------------

Notes: Sales Codes are on The Truck

[DBB] = All Manual Transmissions are on The Truck

[DG0] = All Automatic Transmissions are on The Truck



1	56009 811AH	1	J, T					WIRING, Body with Premium Sound System
	56009 808AI	1	J, T					Base
	56009 810AI	1	J, T					With Power Seats, Locks, Heated Seat
	56009 811AI	1	J, T					With Infinity
	56009 812AJ	1	B, U					Base
	56009 814AJ	1	B, U					With Power Seats, Locks, Heated Seat
	56009 815AJ	1	B, U					With Infinity
2	56009 819AB	1						WIRING, Door Base Model, Left Door
	56009 820AE	1	J, T					with Power Mirrors, Left Door
	56009 821AE	1	J, T					with Power Locks, Left Door
	56009 823AE	1	B, U					with Power Locks, Left Door
	56009 824AE	1	B, U					with Power Mirrors, Left Door
	56009 826AB	1						Base Model, Right Door
	56009 827AE	1	J, T					with Power Mirrors, Right Door
	56009 828AE	1	J, T					with Power Locks, Right Door
	56009 830AE	1	B, U					with Power Locks, Right Door
	56009 831AE	1	B, U					with Power Mirrors, Right Door
3	56009 806AE	2			74			WIRING, Rear Door, with Power Locks
4	4882 780	1						WIRING, Overhead Console Type II with Keyless Entry System with Immobilizer inside of console Going to the console
5	56009 702AG	1						WIRING, Dome Lamp Base Model with Overhead Console
	56009 757AD	1						Without Overhead Console
	56009 703AH	1						Police package
6	56009 816AE	1	J, T					WIRING, Body to Liftgate
7	5600 9804	2			74			WIRING, Door Jumper Rear Door Courtesy Lamp Switch (Model 74) Front Door
	56007 579AC	2						
	56007 579AD	2						
8	5600 9832	1						WIRING, Trailer Tow
9	56009 760AD	1						WIRING, Liftgate
10	56009 840AB	1						WIRING, Power Seat with Power Seat Package - 6 Way - Type I (Non Heated), Left

JEEP CHEROKEE (XJ)

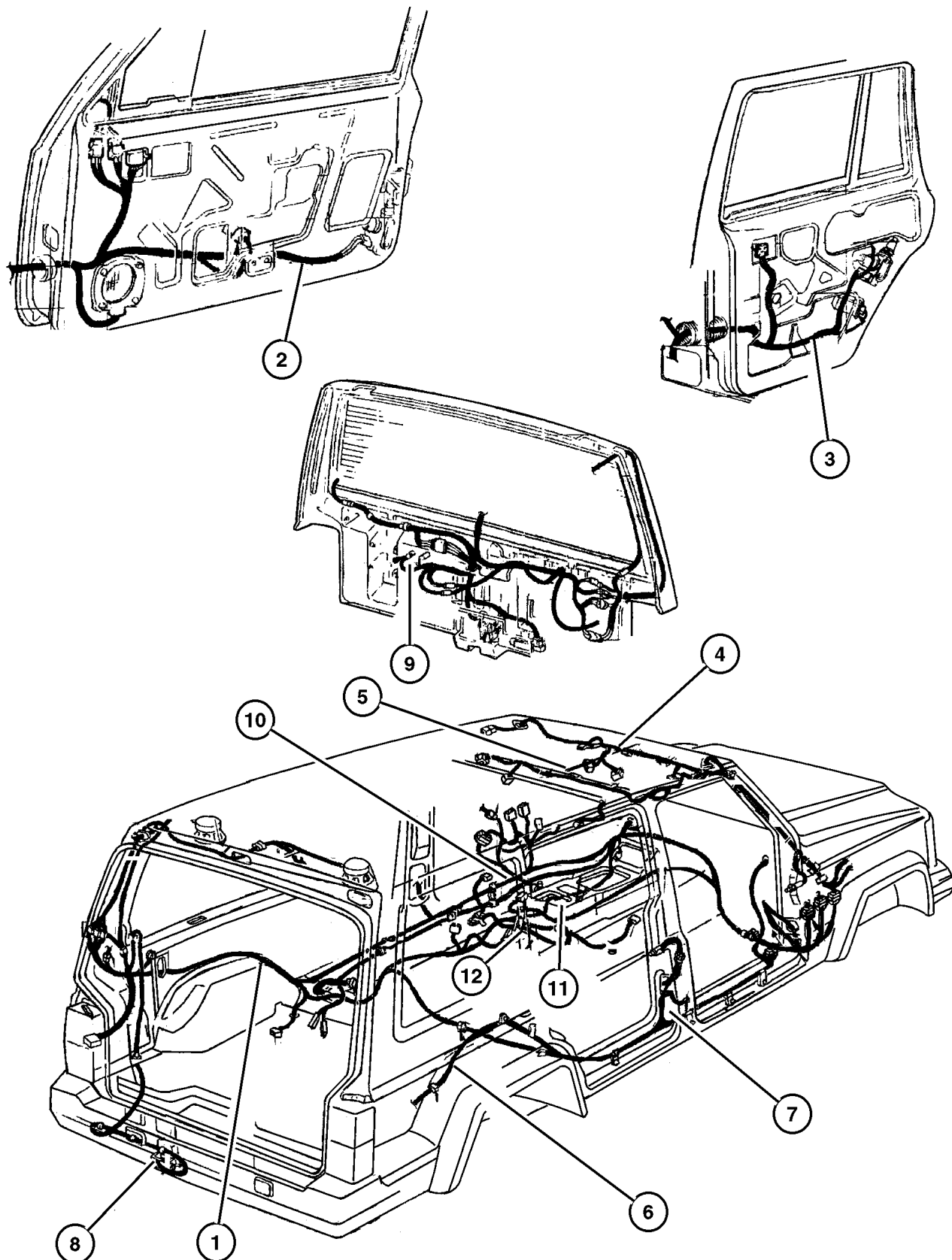
SERIES	LINE	BODY	ENGINE	TRANSMISSION
P = Limited	J = LHD (4WD)	74=4 Dr. (101.4 WB)	ENC, EN0 = 2.5L 4 Cyl Turbo	DDD = 5 Speed Manual
S = Limited	U = RHD (4WD)	72=2 Dr. (101.4 WB)	ERH, ER0 = 4.0L Power Tech	DGS = 4 Speed Auto AISIN
H = Sport	T = LHD (2WD)			DG0 = All Automatic Trans
L = SE	B = RHD (2WD)			DBB = All Manual Trans

AR = Use as required - = Non illustrated part # = New this model year

May 2, 2002

Wiring Body & Accessories
Figure 008-1510

ITEM	PART NUMBER	QTY	LINE	SERIES	BODY	ENGINE	TRANS	DESCRIPTION
	5600 8712	1	U		74			With power Seats, heated Seats, Left
		1	J, T		74			With power Seats, heated Seats, Left
	5600 8713	1	U		74			With Power Seats, Heated Seats, Right
		1	J, T		74			With Power Seats, Heated Seats, Right
11								WIRING, Console
	56009 793AC	1	B, T				DG0	
		1	J, U				DBB	Manual Transmission
		1	J, U				DG0	Automatic Transmission
12	56009 839AB	1						WIRING, Anti-lock Brake
-13								WIRING, Power Seat
	56009 840AB	1						with 6-Way Driver Seat
	56009 841AC	1						with Heated Seats
	56010 286AA	1						without Heated Seats
-14								WIRING, Jumper
	5093 402AA	1	J		74			Heated Seat, Right
	5093 403AA	1	J		74			Heated Seat, Left
	5600 9790	1				EN0		Alternator
	56041 385AB	1				EN0		Oil Pressure



JEEP CHEROKEE (XJ)

SERIES	LINE	BODY	ENGINE	TRANSMISSION
P = Limited	J = LHD (4WD)	74=4 Dr. (101.4 WB)	ENC, EN0 = 2.5L 4 Cyl Turbo	DDD = 5 Speed Manual
S = Limited	U = RHD (4WD)	72=2 Dr. (101.4 WB)	ERH, ER0 = 4.0L Power Tech	DGS = 4 Speed Auto AISIN
H = Sport	T = LHD (2WD)			DG0 = All Automatic Trans
L = SE	B = RHD (2WD)			DBB = All Manual Trans

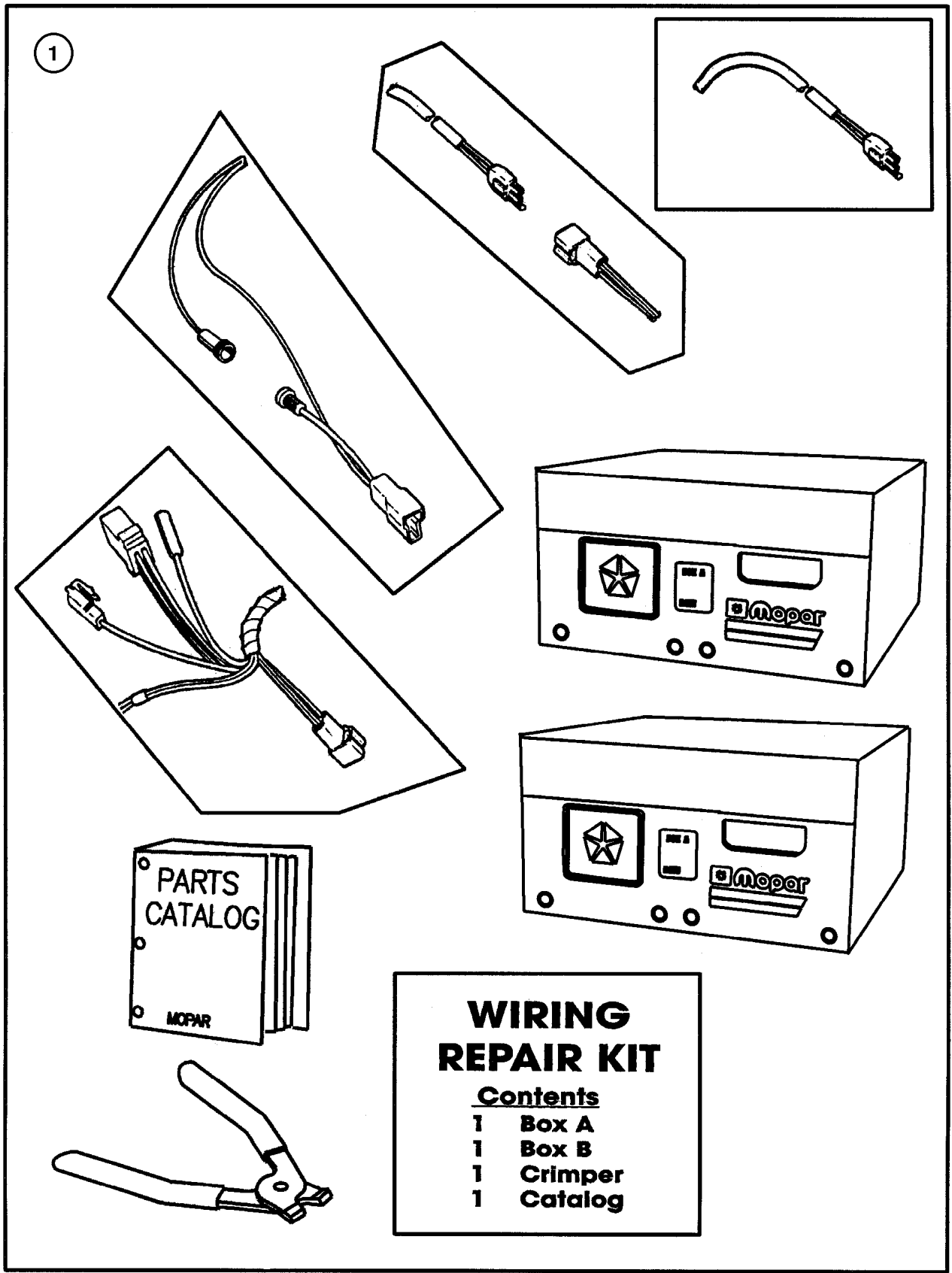
AR = Use as required - = Non illustrated part # = New this model year

May 2, 2002

Connector Repair Package
Figure 008-1605

ITEM	PART NUMBER	QTY	LINE	SERIES	BODY	ENGINE	TRANS	DESCRIPTION
------	-------------	-----	------	--------	------	--------	-------	-------------

1	5013 930AB	1						WIRING PACKAGE, Underhood
-2	4863 839	1						Connector Repair CONNECTOR PACKAGE, Beam Select Switch

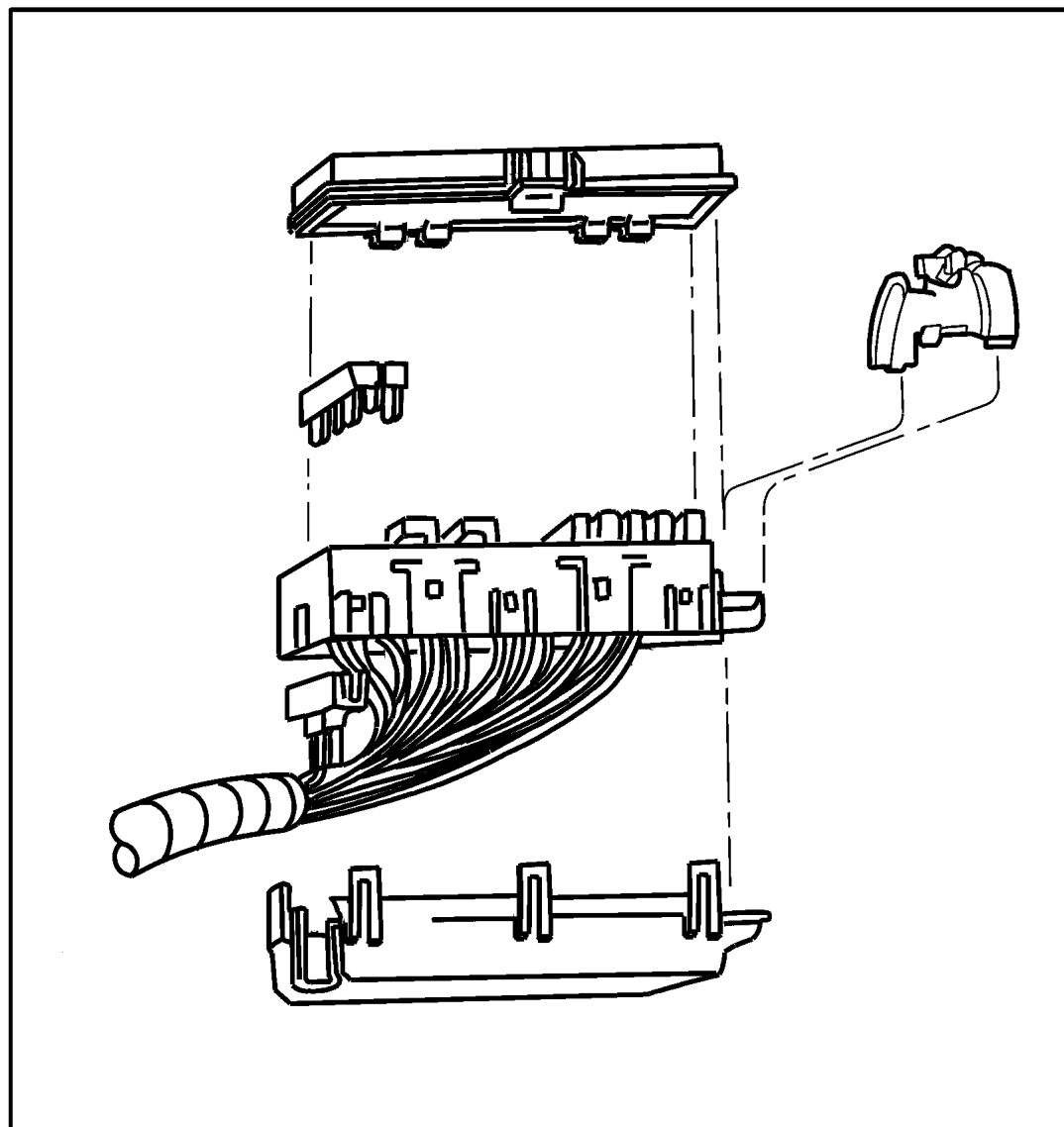


JEEP CHEROKEE (XJ)				
SERIES	LINE	BODY	ENGINE	TRANSMISSION
P = Limited	J = LHD (4WD)	74=4 Dr. (101.4 WB)	ENC, EN0 = 2.5L 4 Cyl Turbo	DDD = 5 Speed Manual
S = Limited	U = RHD (4WD)	72=2 Dr. (101.4 WB)	ERH, ER0 = 4.0L Power Tech	DGS = 4 Speed Auto AISIN
H = Sport	T = LHD (2WD)			DG0 = All Automatic Trans
L = SE	B = RHD (2WD)			DBB = All Manual Trans

AR = Use as required - = Non illustrated part # = New this model year

**Power Distribution Center Repair
Figure 008-1615**

ITEM	PART NUMBER	QTY	LINE	SERIES	BODY	ENGINE	TRANS	DESCRIPTION
1	5014 460AB	1						REPAIR KIT, Power Distribution Center



1

JEEP CHEROKEE (XJ)				
SERIES	LINE	BODY	ENGINE	TRANSMISSION
P = Limited	J = LHD (4WD)	74=4 Dr. (101.4 WB)	ENC, EN0 = 2.5L 4 Cyl Turbo	DDD = 5 Speed Manual
S = Limited	U = RHD (4WD)	72=2 Dr. (101.4 WB)	ERH, ER0 = 4.0L Power Tech	DGS = 4 Speed Auto AISIN
H = Sport	T = LHD (2WD)			DG0 = All Automatic Trans
L = SE	B = RHD (2WD)			DBB = All Manual Trans

AR = Use as required - = Non illustrated part # = New this model year

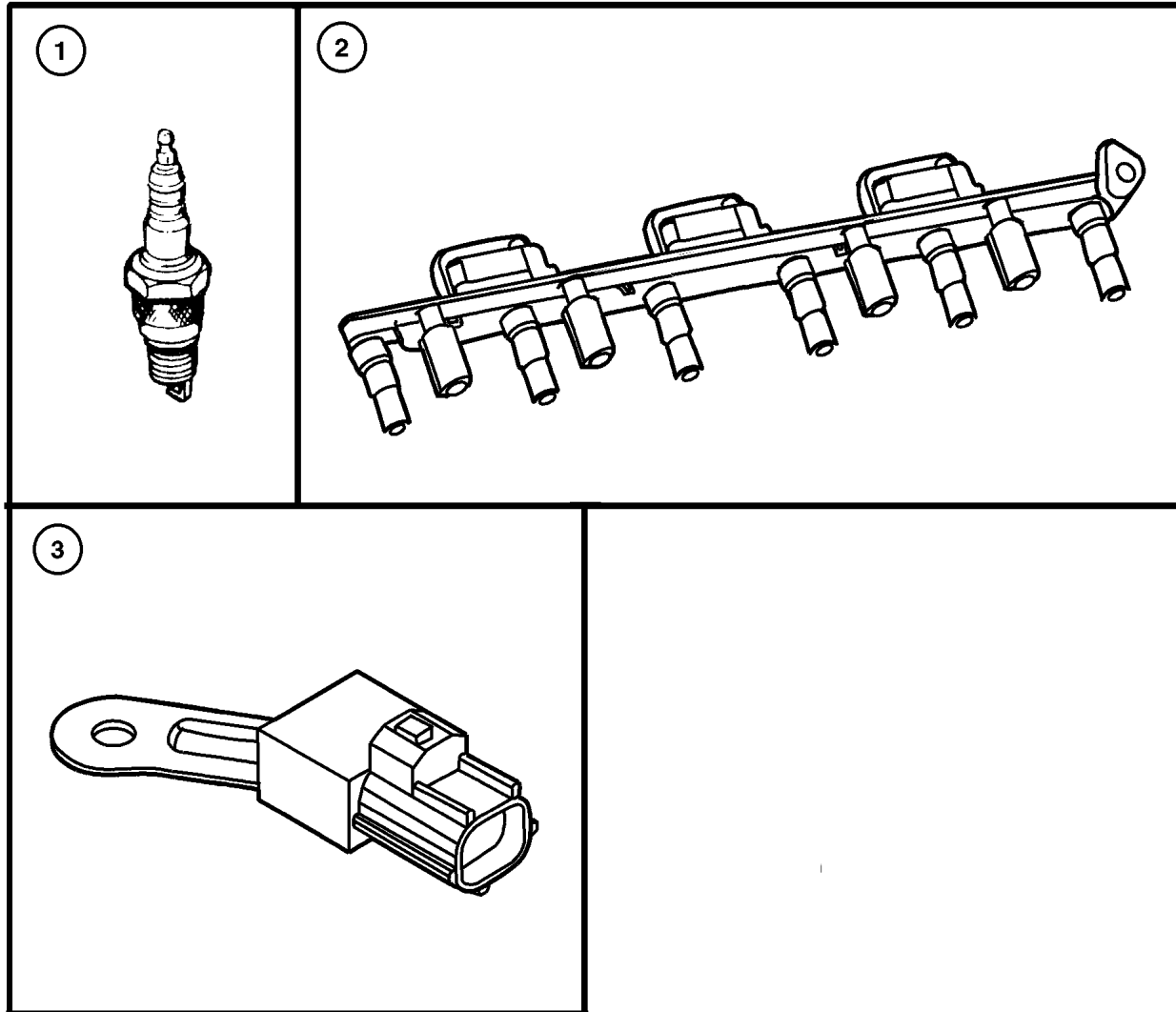
May 2, 2002

Spark Plugs - Coils Figure 008-1910

ITEM	PART NUMBER	QTY	LINE	SERIES	BODY	ENGINE	TRANS	DESCRIPTION
------	-------------	-----	------	--------	------	--------	-------	-------------

ER0=4.0L Engine are on The Truck
 EV0=4.7L Engine are on The Truck
 EX0=3.0L/3.1L Turbo Diesel Engine are on The Truck
 DG0=Automatic Transmission are on The Truck
 DGW= Automatic Transmission 4 Speed Automatic 44RE are on The Truck
 DGK=Automatic Transmission 4 Speed are on The Truck
 DG4=Automatic Transmission Multi-Speed are on The Truck

1	SP0RC 12ECC	6				ER0		SPARK PLUG
2	56041 476AA	1				ER0		COIL, Ignition
3	56041 396AA	1				ER0		CAPACITOR, Ignition
-4	6102 146AA	4				ER0		SCREW AND WASHER, Ignition Coil Mounting



JEEP CHEROKEE (XJ)

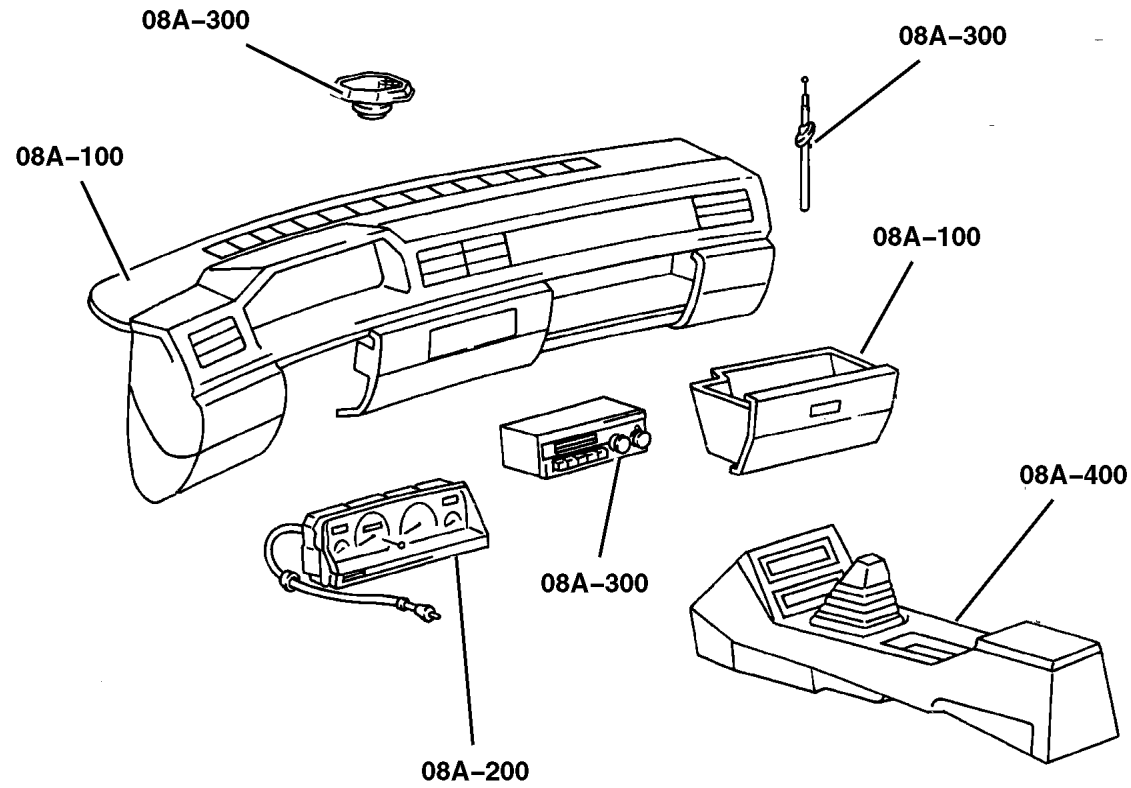
SERIES	LINE	BODY	ENGINE	TRANSMISSION
P = Limited	J = LHD (4WD)	74=4 Dr. (101.4 WB)	ENC, EN0 = 2.5L 4 Cyl Turbo	DDD = 5 Speed Manual
S = Limited	U = RHD (4WD)	72=2 Dr. (101.4 WB)	ERH, ER0 = 4.0L Power Tech	DGS = 4 Speed Auto AISIN
H = Sport	T = LHD (2WD)			DG0 = All Automatic Trans
L = SE	B = RHD (2WD)			DBB = All Manual Trans

AR = Use as required - = Non illustrated part # = New this model year

May 2, 2002

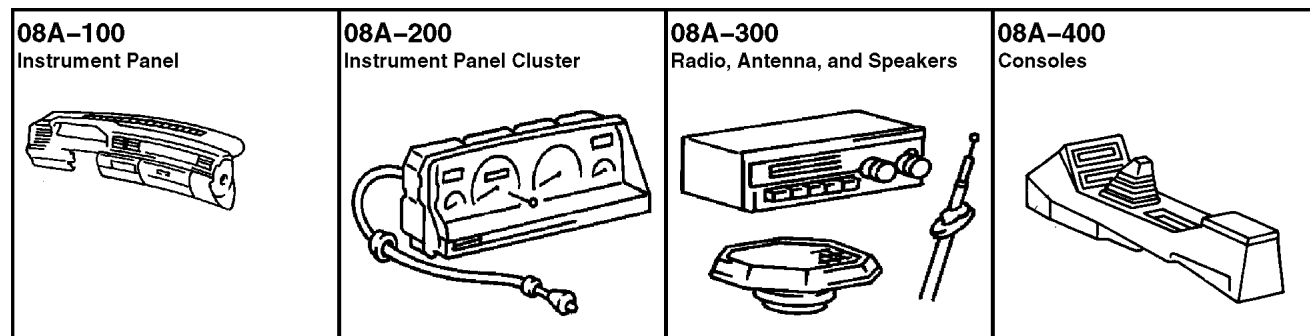
Group – 08A

Instrument Panel and Radios and Consoles

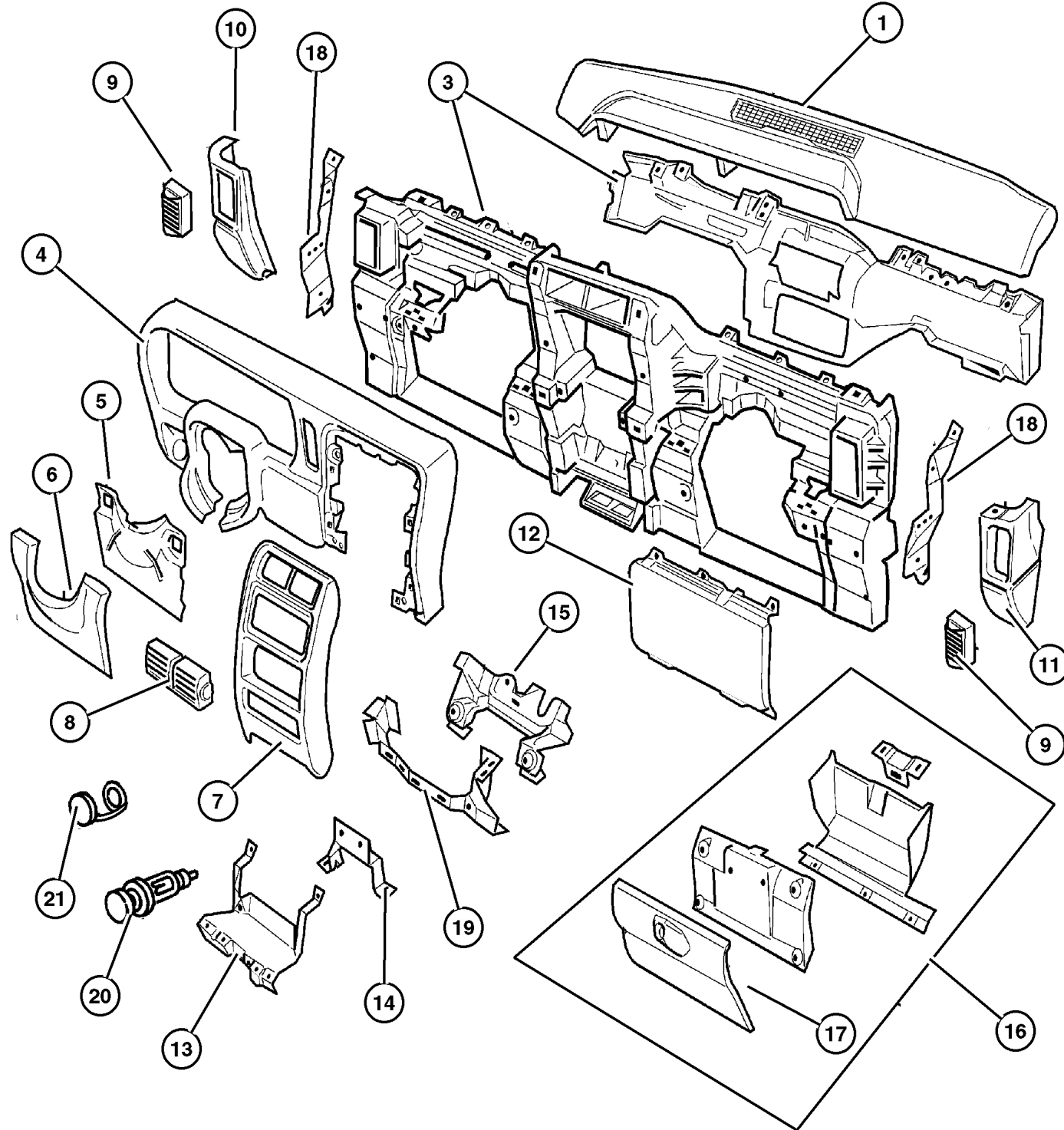


GROUP 8A - Instrument Panel and Radios and Consoles

Illustration Title	Group-Fig. No.
Instrument Panel	
Pad & Bezel (LHD)	Fig. 08A-120
Pad & Bezels (RHD)	Fig. 08A-122
Instrument Panel Cluster	
Cluster	Fig. 08A-220
Radio, Antenna, and Speakers	
Radio	Fig. 08A-310
Speakers	Fig. 08A-320
Antenna	Fig. 08A-330
Consoles	
Floor Console	Fig. 08A-420
Overhead Console	Fig. 08A-450



Pad & Bezel (LHD)
Figure 08A-120



ITEM	PART NUMBER	QTY	LINE	BODY	DESCRIPTION
1	5EB78 LAZAB	1	J, T		COVER, Instrument Panel, Agate
-2	5503 7354	7	J, T		CLIP, Panel, OTY. 07
3	4897 067AA	1	J, T		PANEL, Instrument Panel
4					BEZEL, Instrument Cluster
	5ER60 LAZAC	1	J, T		Diesel Engine (Agate)
	5EJ84 LAZAC	1	J, T		2.5L & 4.0L Engine (Agate)
5	55115 525AB	1			LINER, Steering Column Cover
6					COVER, Steering Column
	5EJ9 2LAZ	1			[AZ]
	5EJ9 2RK5	1			[K5]
7					BEZEL, Instrument Panel, Center
	5EB69 LAZAE	1			Black
	5EN00 LAZAE	1			Agate/Woodgrain
8	5FS10 LAZAB	2			OUTLET, Air Conditioning & Heater, Agate, Center
9					OUTLET, Air Conditioning & Heater
	5DP5 4TAZ	1	J, T		[AZ], Right
	5DP5 5TAZ	1	J, T		[AZ], Left
10					CAP, Instrument Panel End
	5EB77 1K5AC	1	J, T		[K5], Left
	5EB77 LAZAC	1	J, T		[AZ], Left
11					CAP, Instrument Panel End
	5EB77 1K5AC	1	J, T		[K5], Right
	5EB77 LAZAC	1	J, T		[AZ], Right
12	5GE02 LAZAA	1	J, T		AIR BAG, Passenger, Agate
13	55115 467AB	1	J, T		BRACKET, Air Bag
14	55115 489AB	1			BRACKET, Instrument Panel, I/P Floor Bracket To Floor
15	5511 5561	1	J, T		BRACKET, Instrument Cluster
16					GLOVE BOX, Instrument Panel
	5EB7 0LAZ	1	J, T		[AZ]
	5EB7 0RK5	1	J, T		[K5]
17					DOOR, Glove Box, Serviced w/Glovebox Assembly, (NOT SERVICED)
18					SUPPORT, Instrument Panel
	55037 194AB	1	J, T		Right
	55037 195AB	1	J, T		Left
19	55037 395AA	1	J, T		REINFORCEMENT, Instrument Panel
20	4685 536	1			KNOB AND ELEMENT, Cigar Lighter
21					POWER OUTLET, Cigar Lighter, Serviced w/Switch Bezel (Item #27), (NOT SERVICED)
-22					BASE, Cigar Lighter, Serviced w/Switch Bezel (Item #27), (NOT SERVICED)
-23					LABEL, Air Bag Warning

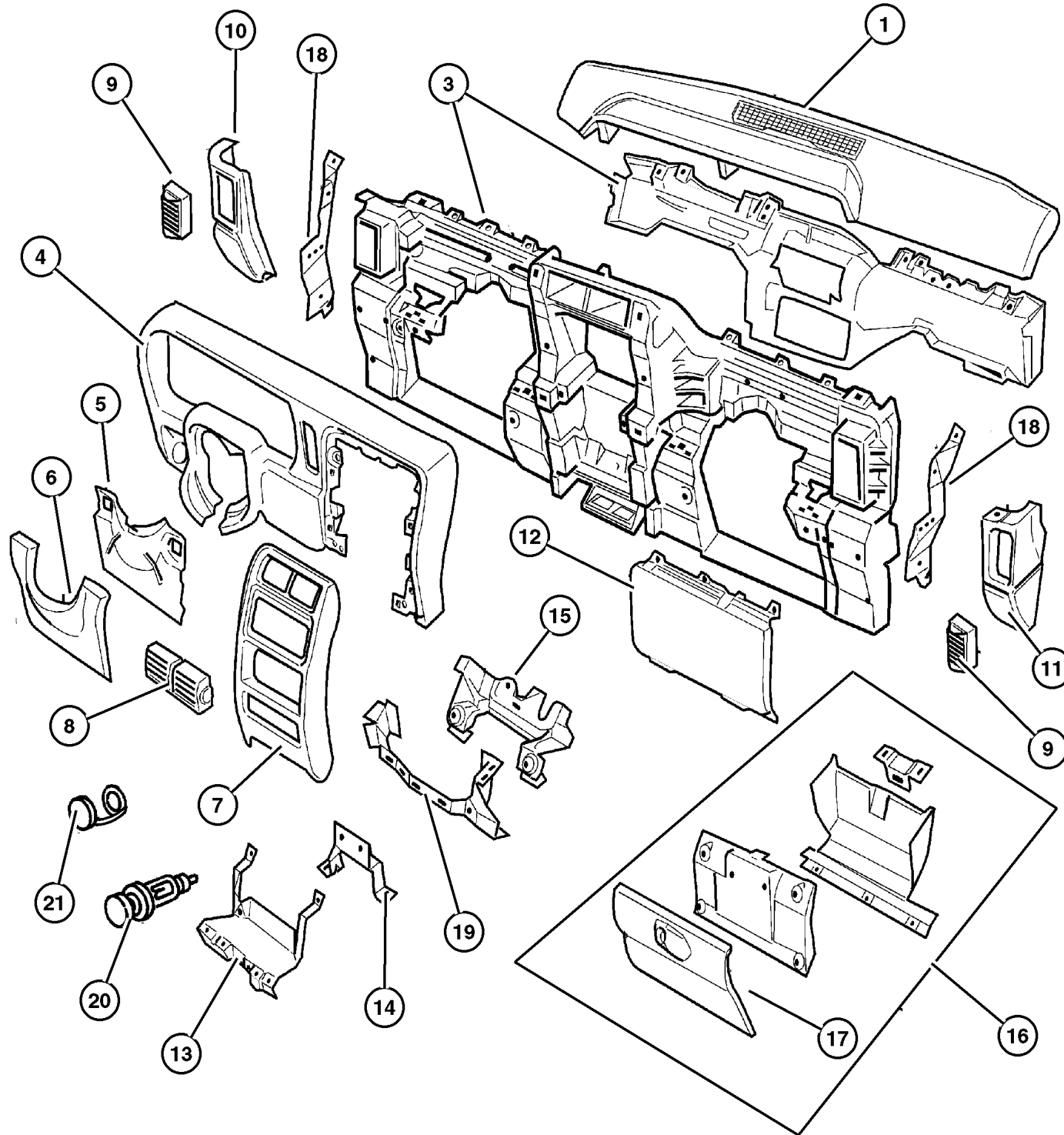
JEEP CHEROKEE (XJ)

SERIES	LINE	BODY	ENGINE	TRANSMISSION
P = Limited	J = LHD (4WD)	74=4 Dr. (101.4 WB)	ENC, EN0 = 2.5L 4 Cyl Turbo	DDD = 5 Speed Manual
S = Limited	U = RHD (4WD)	72=2 Dr. (101.4 WB)	ERH, ER0 = 4.0L Power Tech	DGS = 4 Speed Auto AISIN
H = Sport	T = LHD (2WD)			DG0 = All Automatic Trans
L = SE	B = RHD (2WD)			DBB = All Manual Trans

AR = Use as required - = Non illustrated part # = New this model year

May 2, 2002

Pad & Bezel (LHD)
Figure 08A-120



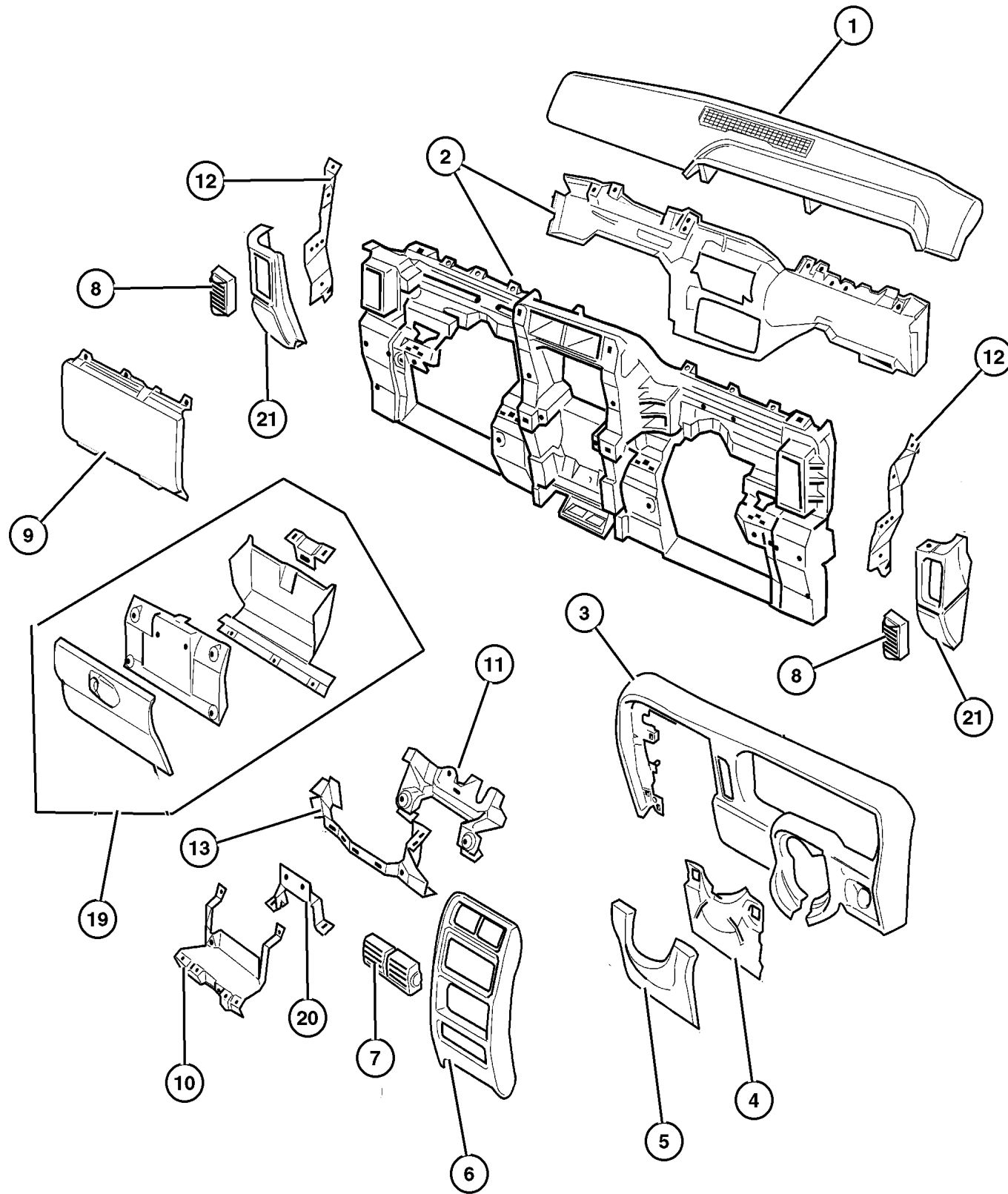
ITEM	PART NUMBER	QTY	LINE	BODY	DESCRIPTION
	4595 749AA	1	J, T		Visor English/French (5 Point)
	4595 748AA	1			End Cap Warning
	5265 949	1	J, T		I/Panel Airbag Warning
-24					BUMPER, Glove Box Door
	4524 343	2			Glovebox Catch
	55037 414AA	2	J, T		Glovebox Door
-25	5EB7 2LAZ	1	J, T		DOOR, Passenger Air Bag, Agate
-26	6034 833	2	J, T		CLIP, Push, .164-7.5
-27					BEZEL, Switch
	4897 502AG	1	J, U		with Rear Foglamp, Rear Defroster, Rear Wiper/Washer & without Front Foglamp
	4897 505AG	1	J, U		with Rear Foglamp, Rear Defroster, Rear Wiper/Washer & with Front Foglamp
	4897 502AG	1			with Rear Wiper, Rear Defroster, Police Package & without Rear Foglamp & without Front Foglamp
		1			with Front Foglamp, Rear Defroster, Rear Wiper & without Rear Foglamp & without Police Package
	4897 503AG	1			with Rear Defroster, Rear Wiper & without Rear Foglamp, Front Foglamp & without Police Package
-28					ASH RECEIVER, Floor Console
	5EB68 LAZAB	1			Front Console
	5EK1 0LAZ	1			Rear [AZ]
	5GK66 LAZAA	1			Front Console with Heated Seats

JEEP CHEROKEE (XJ)				
SERIES	LINE	BODY	ENGINE	TRANSMISSION
P = Limited	J = LHD (4WD)	74=4 Dr. (101.4 WB)	ENC, EN0 = 2.5L 4 Cyl Turbo	DDD = 5 Speed Manual
S = Limited	U = RHD (4WD)	72=2 Dr. (101.4 WB)	ERH, ER0 = 4.0L Power Tech	DGS = 4 Speed Auto AISIN
H = Sport	T = LHD (2WD)			DG0 = All Automatic Trans
L = SE	B = RHD (2WD)			DBB = All Manual Trans

AR = Use as required - = Non illustrated part # = New this model year

May 2, 2002

Pad & Bezels (RHD)
Figure 08A-122



ITEM	PART NUMBER	QTY	LINE	BODY	DESCRIPTION
1	5EB71 LAZAB	1	B, U		COVER, Instrument Panel, Agate
2	4897 066AA	1	B, U		PANEL, Instrument Panel
3	5ER59 LAZAC	1	B, U		BEZEL, Instrument Cluster Diesel Engine (Agate)
	5EJ85 LAZAC	1	B, U		2.5L & 4.0L Engine (Agate)
4	55115 525AB	1			LINER, Steering Column Cover
5	5EJ9 2LAZ	1			COVER, Steering Column [AZ]
	5EJ9 2RK5	1			[K5]
6	5EB69 LAZAE	1			BEZEL, Instrument Panel, Center Black
	5EN00 LAZAE	1			Agate/Woodgrain
7	5FS10 LAZAB	2			OUTLET, Air Conditioning & Heater, Agate, Center
8	5DP5 4TAZ	1	B, U		OUTLET, Air Conditioning & Heater [AZ], Right
	5DP5 5TAZ	1	J, T		[AZ], Left
9	5GE03 LAZAA	1	B, U		AIR BAG, Passenger, Agate
10	55115 466AB	1	B, U		BRACKET, Air Bag
11	5511 5561	1	J, T		BRACKET, Instrument Cluster
12	55037 194AB	1	J, T		SUPPORT, Instrument Panel Right
	55037 195AB	1	J, T		Left
13	55037 394AA	1	B, U		REINFORCEMENT, Instrument Panel
-14	6034 833	2	J, T		CLIP, Push, .164-7.5
-15	4595 748AA	1			LABEL, Air Bag Warning End Cap Warning
	4595 746AA	1	J, U		Removeable Dash Warning
	5265 949	1	J, T		I/Panel
-16	5EB6 7LAZ	1	B, U		DOOR, Passenger Air Bag, Agate
-17	55115 470AB	1	J, T		STRIKER, Glove Box Door Latch
-18	4524 343	2			BUMPER, Glove Box Door Glovebox Catch
	55037 414AA	2	J, T		Glovebox Door
19	5EB7 0LAZ	1	J, T		GLOVE BOX, Instrument Panel [AZ]
	5EB7 0RK5	1	J, T		[K5]
20	55115 489AB	1			BRACKET, Instrument Panel
21	5EB76 1K5AC	1	B, U		CAP, Instrument Panel End [K5], Right
	5EB76 LAZAC	1	B, U		[AZ], Right
	5EB77 1K5AC	1	B, U		[K5], Left
	5EB77 LAZAC	1	J, T		[AZ], Left

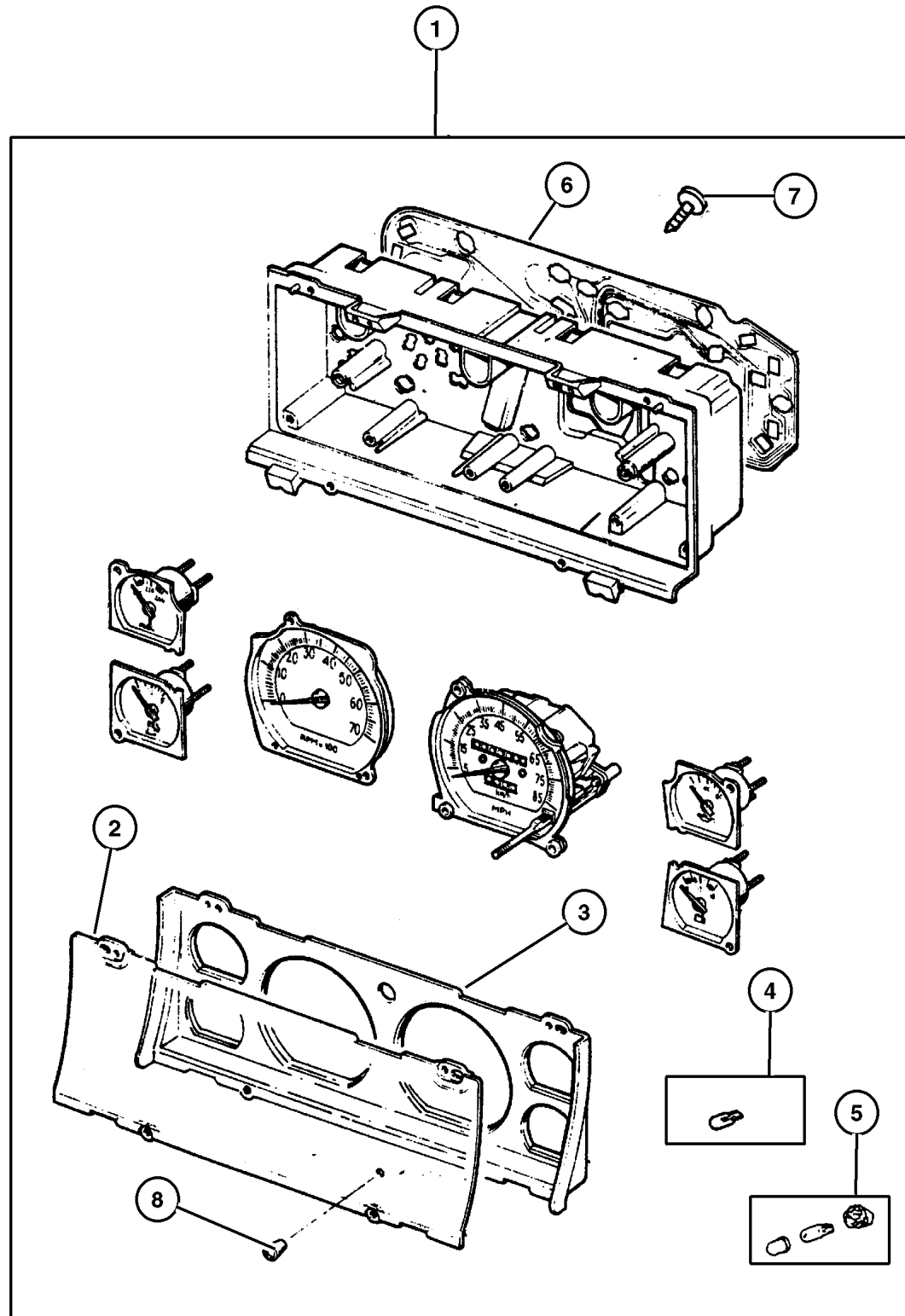
JEEP CHEROKEE (XJ)

SERIES	LINE	BODY	ENGINE	TRANSMISSION
P = Limited	J = LHD (4WD)	74=4 Dr. (101.4 WB)	ENC, EN0 = 2.5L 4 Cyl Turbo	DDD = 5 Speed Manual
S = Limited	U = RHD (4WD)	72=2 Dr. (101.4 WB)	ERH, ER0 = 4.0L Power Tech	DGS = 4 Speed Auto AISIN
H = Sport	T = LHD (2WD)			DG0 = All Automatic Trans
L = SE	B = RHD (2WD)			DBB = All Manual Trans

AR = Use as required - = Non illustrated part # = New this model year

May 2, 2002

Cluster
Figure 08A-220



ITEM	PART NUMBER	QTY	LINE	BODY	DESCRIPTION
1					CLUSTER
	56010 190AC	1			2.5L & 4.0L Engine w/100 MPH & w/o Tach (Lowline)
	56010 191AC	1			2.5L & 4.0L Engine w/200 KPH & w/o Tach (Lowline)
	56010 192AC	1			2.5L & 4.0L Engine w/100 MPH & w/Tach (High Line)
	56010 193AC	1			2.5L & 4.0L Engine w/200 KPH & w/Tach (High Line)
	56010 194AC	1	B, U		2.5L & 4.0L Engine w/200 KPH & w/Tach (High Line)
	56010 195AC	1	B, U		2.5L & 4.0L Engine w/120 MPH & w/Tach (High Line)
	56010 196AC	1	B, U		Diesel Engine w/120 MPH
	56010 197AC	1	B, U		Diesel Engine w/200 KPH & w/o Secondary
	56010 198AC	1			Diesel Engine w/200 KPH Primary
	56010 199AC	1	J, T		120 MPH (Police)
	56010 200AC	1	J, T		200 KPH (Police)
2	4874 345	1			LENS, Cluster
3	4874 344	1			MASK, Instrument Cluster
4	L000 PC74	10			BULB, PC74
5	4874 349	5			BULB AND SOCKET
6	4874 348	1			COVER, Cluster
7	6032 723	4			SCREW, Self Tapping, M4.2x1.69x19.05
8	4874 346	1			GROMMET, Speedometer Trip Reset
-9					BOARD, Circuit, Serviced w/Item # 1, (NOT SERVICED)
-10					INDICATOR
	5600 9613	1	J, T		Diesel Engine
	5600 9639	1	B, U		Diesel Engine

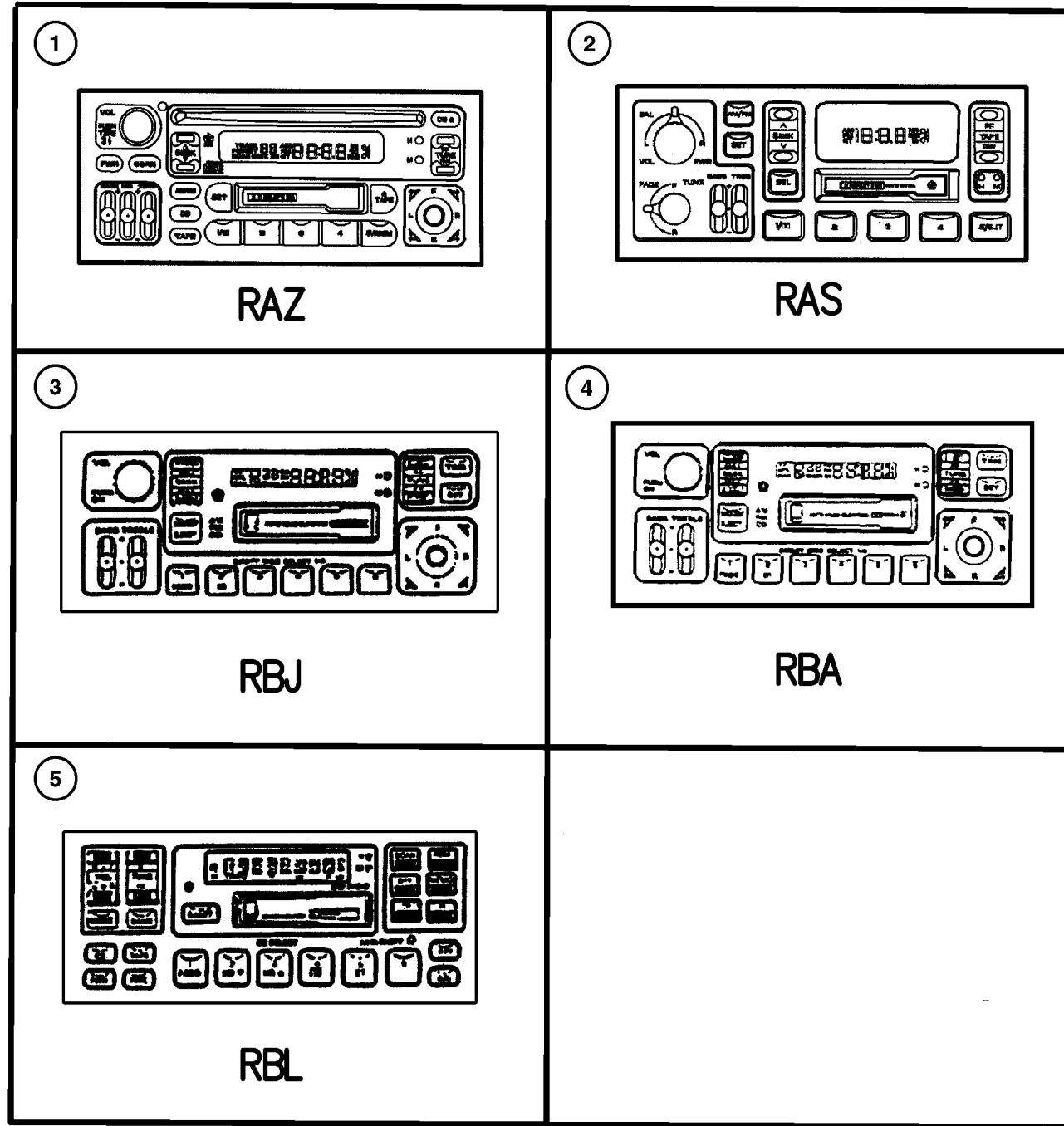
JEEP CHEROKEE (XJ)

SERIES	LINE	BODY	ENGINE	TRANSMISSION
P = Limited	J = LHD (4WD)	74=4 Dr. (101.4 WB)	ENC, EN0 = 2.5L 4 Cyl Turbo	DDD = 5 Speed Manual
S = Limited	U = RHD (4WD)	72=2 Dr. (101.4 WB)	ERH, ER0 = 4.0L Power Tech	DGS = 4 Speed Auto AISIN
H = Sport	T = LHD (2WD)			DG0 = All Automatic Trans
L = SE	B = RHD (2WD)			DBB = All Manual Trans

AR = Use as required - = Non illustrated part # = New this model year

May 2, 2002

**Radio
Figure 08A-310**



ITEM	PART NUMBER	QTY	LINE	BODY	DESCRIPTION
------	-------------	-----	------	------	-------------

Notes: Sales Codes: are on The Truck
 [RAS]=AM/FM Cassette are on The Truck
 [RAZ]=AM/FM with Cassette & CD are on The Truck
 [RBA]=AM/FM with Cassette & CD Changer Control (Argentina, Brazil, Paraguay & Uruguay) are on The Truck
 [RBJ]=Midline AM/FM with Cassette & CD Changer Control (Japan) are on The Truck
 [RBL]=AM/FM/MW/RDS Cassette & CD Changer Control (Europe) are on The Truck

1	4704 383AH	1			RADIO, AM/FM with CD and Cassette, [RAZ]
2	56038 933AB	1			RADIO, AM/FM Cassette, [RAS]
3	4704 392AD	1			RADIO, AM/FM Cassette with CD Control, [RBJ]
4	4704 392AD	1			RADIO, AM/FM Cassette with CD Control, [RBA]
5	4859 504AD	1			RADIO, FM/MW/LW-RDS and Cassette, [RBL]
-6	56007 653AD	1			AMPLIFIER, Radio

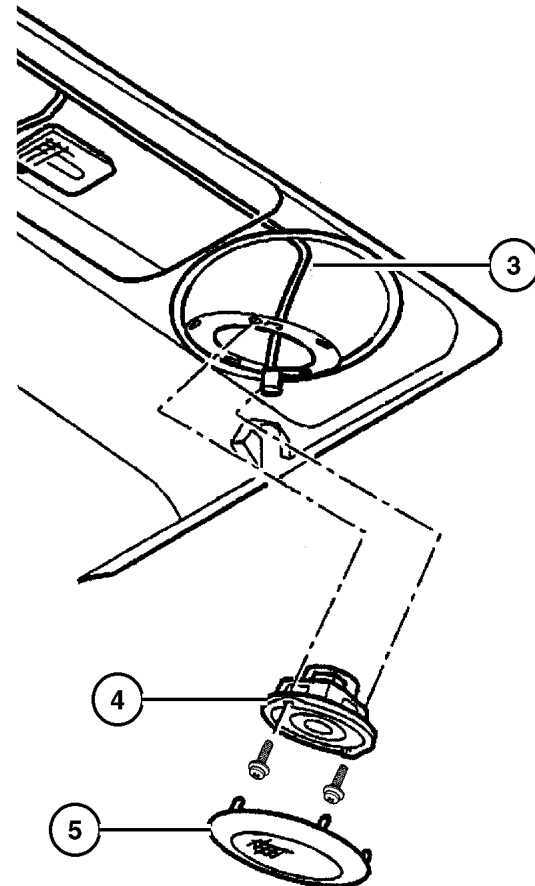
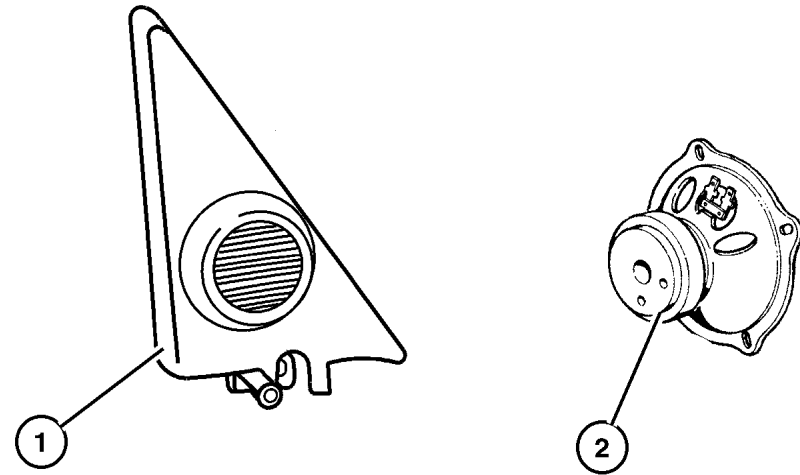
JEEP CHEROKEE (XJ)				
SERIES	LINE	BODY	ENGINE	TRANSMISSION
P = Limited	J = LHD (4WD)	74=4 Dr. (101.4 WB)	ENC, EN0 = 2.5L 4 Cyl Turbo	DDD = 5 Speed Manual
S = Limited	U = RHD (4WD)	72=2 Dr. (101.4 WB)	ERH, ER0 = 4.0L Power Tech	DGS = 4 Speed Auto AISIN
H = Sport	T = LHD (2WD)			DG0 = All Automatic Trans
L = SE	B = RHD (2WD)			DBB = All Manual Trans

AR = Use as required - = Non illustrated part # = New this model year

May 2, 2002

Speakers Figure 08A-320

ITEM	PART NUMBER	QTY	LINE	BODY	DESCRIPTION
[RCB]=Two Speaker System are on The Truck					
[RCG]=Six Premium Speaker System (Infinity) are on The Truck					
[RCR]=Four Speaker System are on The Truck					
1					COVER, Mirror Opening
	5FM02 LAZAB	1			without Tweeter (Agate) [RCB] [RCR], Right
	5FM03 LAZAB	1			without Tweeter (Agate) [RCB] [RCR], Left
	5FV14 LAZAB	1			with Tweeter (Agate) [RCG], Right
	5FV15 LAZAB	1			with Tweeter (Agate) [RCG], Left
2					SPEAKER, Door
	56008 750AC	2			Premium [RCG]
	56008 751AD	2			Standard [RCB] [RCR]
3	56009 936AA	1			WIRING, Headliner
4					SPEAKER, Sound Bar
	56008 754AB	1			Standard [RCB] [RCR] (5.25 Full Range)
	5600 8756	2			Premium [RCG] (5.25 Coaxial)
5					GRILLE, Speaker
	5FY19 HW8AA	2			[AZ] [RCR]
	5FY19 RK5AA	2			[K5] [RCR]
-6	55352 694AA	1			BRACKET, Speaker, [RCR]



JEEP CHEROKEE (XJ)

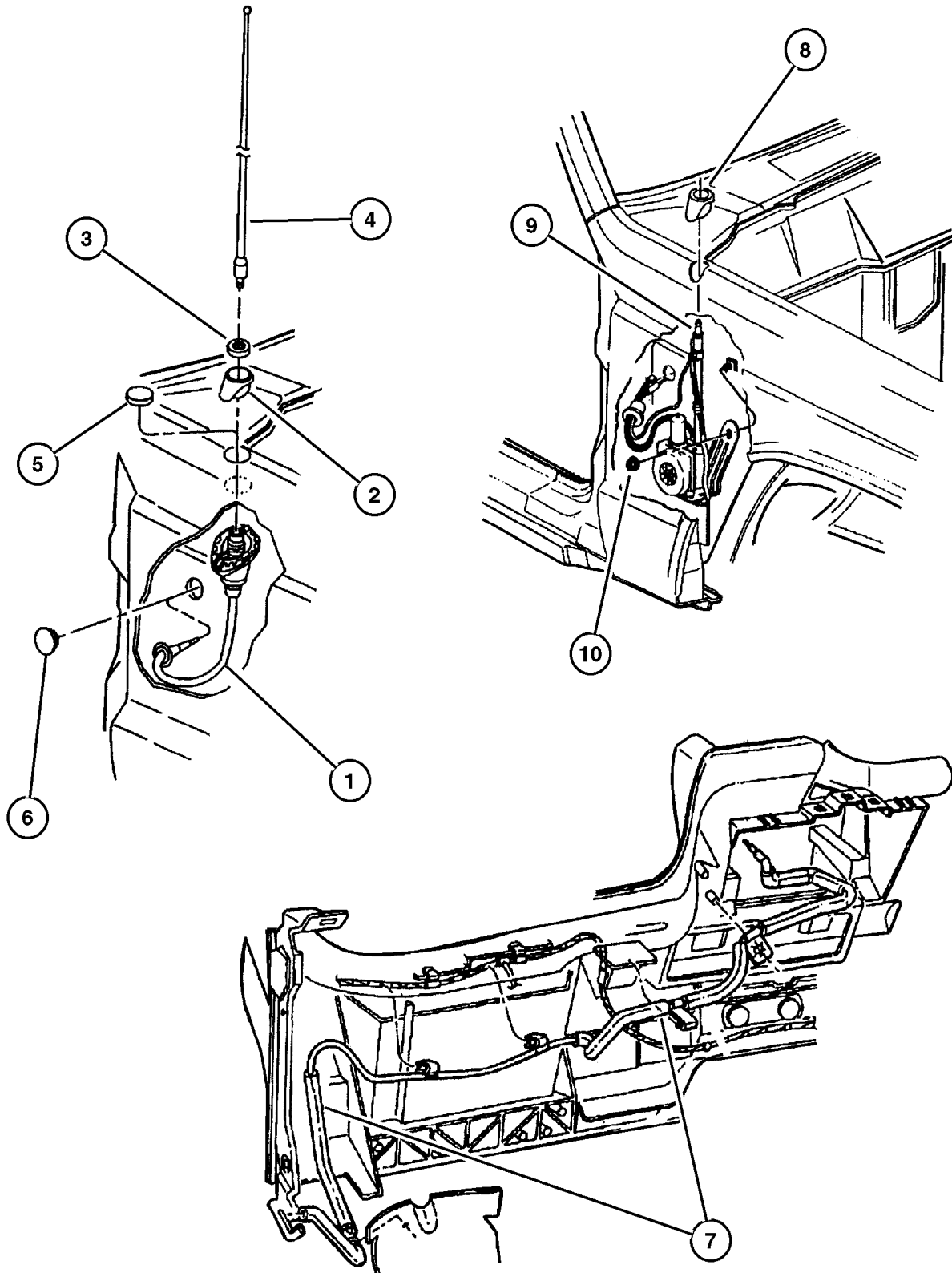
SERIES	LINE	BODY	ENGINE	TRANSMISSION
P = Limited	J = LHD (4WD)	74=4 Dr. (101.4 WB)	ENC, EN0 = 2.5L 4 Cyl Turbo	DDD = 5 Speed Manual
S = Limited	U = RHD (4WD)	72=2 Dr. (101.4 WB)	ERH, ER0 = 4.0L Power Tech	DGS = 4 Speed Auto AISIN
H = Sport	T = LHD (2WD)			DG0 = All Automatic Trans
L = SE	B = RHD (2WD)			DBB = All Manual Trans

AR = Use as required - = Non illustrated part # = New this model year

May 2, 2002

Antenna
Figure 08A-330

ITEM	PART NUMBER	QTY	LINE	BODY	DESCRIPTION
1	56038 505AB	1			BASE, Antenna
2	56038 507AB	1			ESCUTCHEON, Antenna
3	56007 570AB	1			CAP NUT, Antenna
4	5600 8917	1			MAST, Antenna
5	5603 8506	1			PLUG, Antenna Hole
6	2860 332	1			PLUG, Anti-Rattle
7					CABLE, Antenna
	56038 508AD	1	J, T		
	56038 509AB	1	B, U		
8					GROMMET, Antenna Mounting
	56022 200AA	1	J, T		
		1	B, U		
9					ANTENNA
	56022 199AA	1	B, U		
		1	J, T		
10	6101 820	1			NUT, Hex Flange Lock



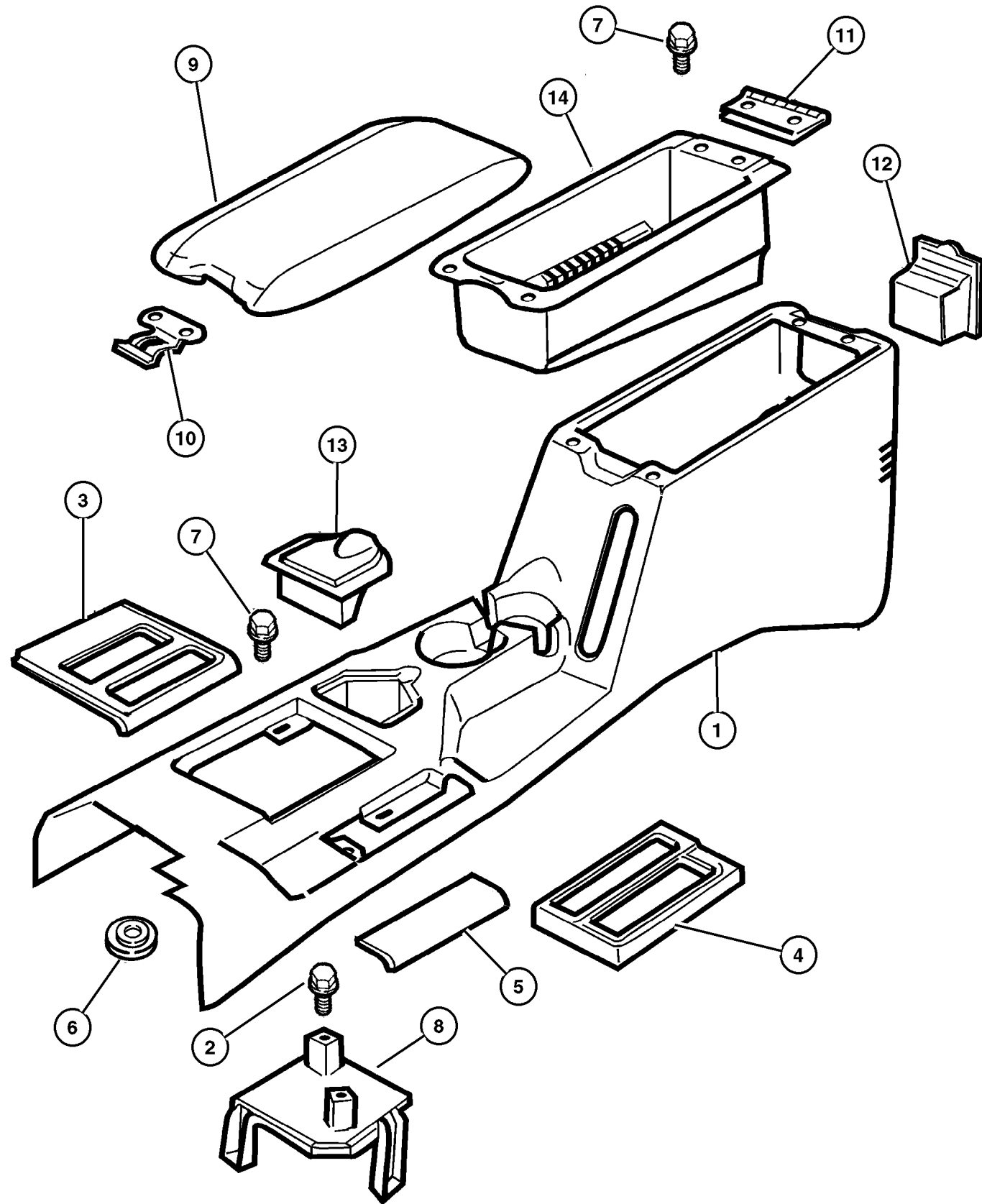
JEEP CHEROKEE (XJ)

SERIES	LINE	BODY	ENGINE	TRANSMISSION
P = Limited	J = LHD (4WD)	74=4 Dr. (101.4 WB)	ENC, EN0 = 2.5L 4 Cyl Turbo	DDD = 5 Speed Manual
S = Limited	U = RHD (4WD)	72=2 Dr. (101.4 WB)	ERH, ER0 = 4.0L Power Tech	DGS = 4 Speed Auto AISIN
H = Sport	T = LHD (2WD)			DG0 = All Automatic Trans
L = SE	B = RHD (2WD)			DBB = All Manual Trans

AR = Use as required - = Non illustrated part # = New this model year

May 2, 2002

**Floor Console
Figure 08A-420**



ITEM	PART NUMBER	QTY	LINE	BODY	DESCRIPTION
1					CONSOLE, Base
	QX10 1K5AA	1		[K5]	
	QX10 LAZAA	1		[AZ]	
2	0153 185	1			SCREW, .164-18x.500
3					BEZEL, Console PRNDL
	5EK03 LAZAB	1	J, T		(Agate) 4 Speed Automatic Transmission-Aisin Warner
	5EK07 LAZAB	1	B, U		(Agate) 4 Speed Automatic Transmission-Aisin Warner
	5GC35 LAZAB	1	J, T		(Agate) 3 Speed Automatic Transmission 30RH
	5GC36 LAZAB	1	B, U		(Agate) 3 Speed Automatic Transmission 30RH
4					BEZEL, Transfer Case
	5EK13 LAZAB	1	U		(Agate) with 242 Transfer Case-Select Trac
	5EK17 LAZAB	1	U		(Agate) with 231 Transfer Case-Command Trac
	5EL86 LAZAB	1	J		(Agate) with 242 Transfer Case-Select Trac
	5EL90 LAZAB	1	J		(Agate) with 231 Transfer Case-Command Trac
5					COVER, Transfer Case Lever Hole
	5EU6 6LAZ	1	B, T		[AZ]
	5EU6 6RK5	1	B, T		[K5]
6	6501 988	4			WASHER
7	6032 723	2			SCREW, Self Tapping, M4.2x1.69x19.05
8	55037 038AC	1			BRACKET, Floor Console
9					LID, Floor Console Bin
	5EJ50 LAZAD	1		[AZ]	
	5EJ50 RK5AD	1		[K5]	
10	55037 537AA	1			LATCH, Armrest Lid
11	55352 505AB	1			HINGE, Floor Console Lid
12	5EK1 0LAZ	1			ASH RECEIVER, Floor Console, [AZ] (Rear Console)
13					ASH RECEIVER, Floor Console
	5GK66 LAZAA	1			(Agate) with Heated Seats
	5EB68 LAZAB	1			(Agate) without Heated Seats
14	5511 5523	1			BIN, Floor Console
-15					SWITCH, Heated Seat
	56010 135AB	1			Right
	56010 136AB	1			Left
-16	5GH07 LAZAB	1			BEZEL, Floor Console Switch, (Agate) with Heated Seats
-17	3420 1314	4		74	SCREW, Tapping Round Head, .164x18x1.232
-18	4524 343	2			BUMPER, Glove Box Door
-19	5503 7315	4	J, T		CLIP
-20	6034 833	2	J, T		CLIP, Push, .164-7.5

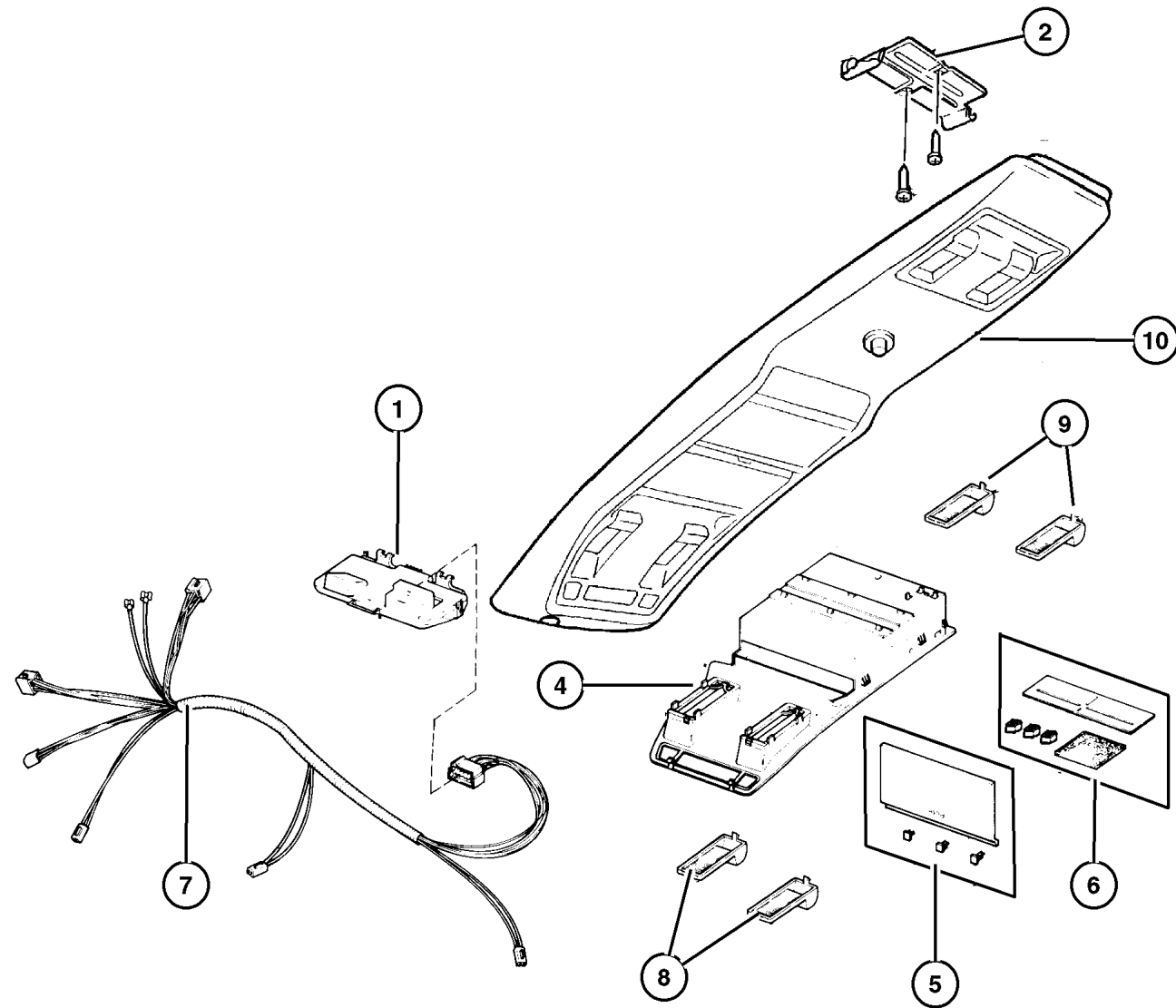
JEEP CHEROKEE (XJ)

SERIES	LINE	BODY	ENGINE	TRANSMISSION
P = Limited	J = LHD (4WD)	74=4 Dr. (101.4 WB)	ENC, EN0 = 2.5L 4 Cyl Turbo	DDD = 5 Speed Manual
S = Limited	U = RHD (4WD)	72=2 Dr. (101.4 WB)	ERH, ER0 = 4.0L Power Tech	DGS = 4 Speed Auto AISIN
H = Sport	T = LHD (2WD)			DG0 = All Automatic Trans
L = SE	B = RHD (2WD)			DBB = All Manual Trans

AR = Use as required - = Non illustrated part # = New this model year

May 2, 2002

Overhead Console Figure 08A-450



ITEM	PART NUMBER	QTY	LINE	BODY	DESCRIPTION
1	#56009 380AC	1			MODULE, Compass Temperature
2	55352 518AB	1			BRACKET, Overhead Console
-3					SCREW, Pan Head Tapping, .164-32x.625, (NOT SERVICED)
4	4761 436	1			HOUSING AND DOOR, Overhead Console
5	4761 965	1			DOOR, Garage Door Opener
6	4798 405	1			ADAPTER, Garage Door Button
7					WIRING, Overhead Console, Lamp Switches & Bulb Housing Serviced Only with Wiring Harness
	4882 780	1			With Keyless Entry (Lamp Switches & Bulbs Serviced Wiring Assembly Only) inside overhead console
	56009 702AG	1			To overhead console
8	5268 177	1			LENS, Reading Lamp, Left Rear
9	5268 178	1			LENS, Reading Lamp, Right Rear
10					HOUSING, Overhead Console
	QL74 1K5	1			[K5] with Immobilizer
	QL74 1W8	1			[AZ] with Immobilizer
	QL65 1K5	1			[K5] with Keyless Entry
		1			[K5] without Keyless Entry & without Immobilizer
	QL65 1W8	1			[AZ] with Keyless Entry
		1			[AZ] without Keyless Entry & without Immobilizer
-11	4761 966	1			SWITCH, Minitrip

JEEP CHEROKEE (XJ)

SERIES	LINE	BODY	ENGINE	TRANSMISSION
P = Limited	J = LHD (4WD)	74=4 Dr. (101.4 WB)	ENC, EN0 = 2.5L 4 Cyl Turbo	DDD = 5 Speed Manual
S = Limited	U = RHD (4WD)	72=2 Dr. (101.4 WB)	ERH, ER0 = 4.0L Power Tech	DGS = 4 Speed Auto AISIN
H = Sport	T = LHD (2WD)			DG0 = All Automatic Trans
L = SE	B = RHD (2WD)			DBB = All Manual Trans

AR = Use as required - = Non illustrated part # = New this model year

May 2, 2002

Group – 009

Engine Mounting

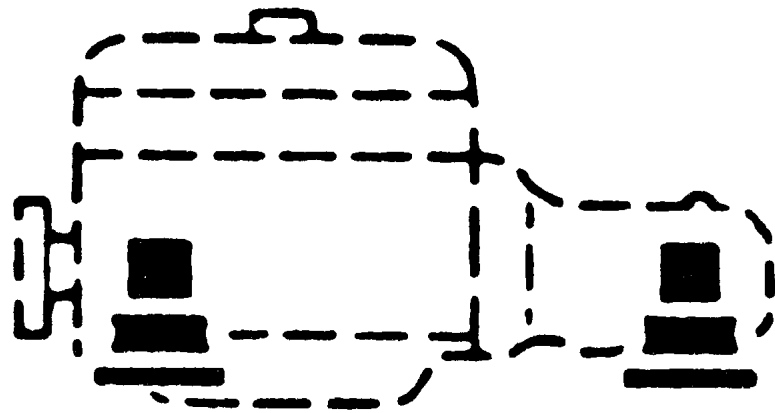
GROUP 9 - Engine Mounting

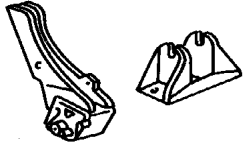
Illustration Title

Group-Fig. No.

Engine Mounting

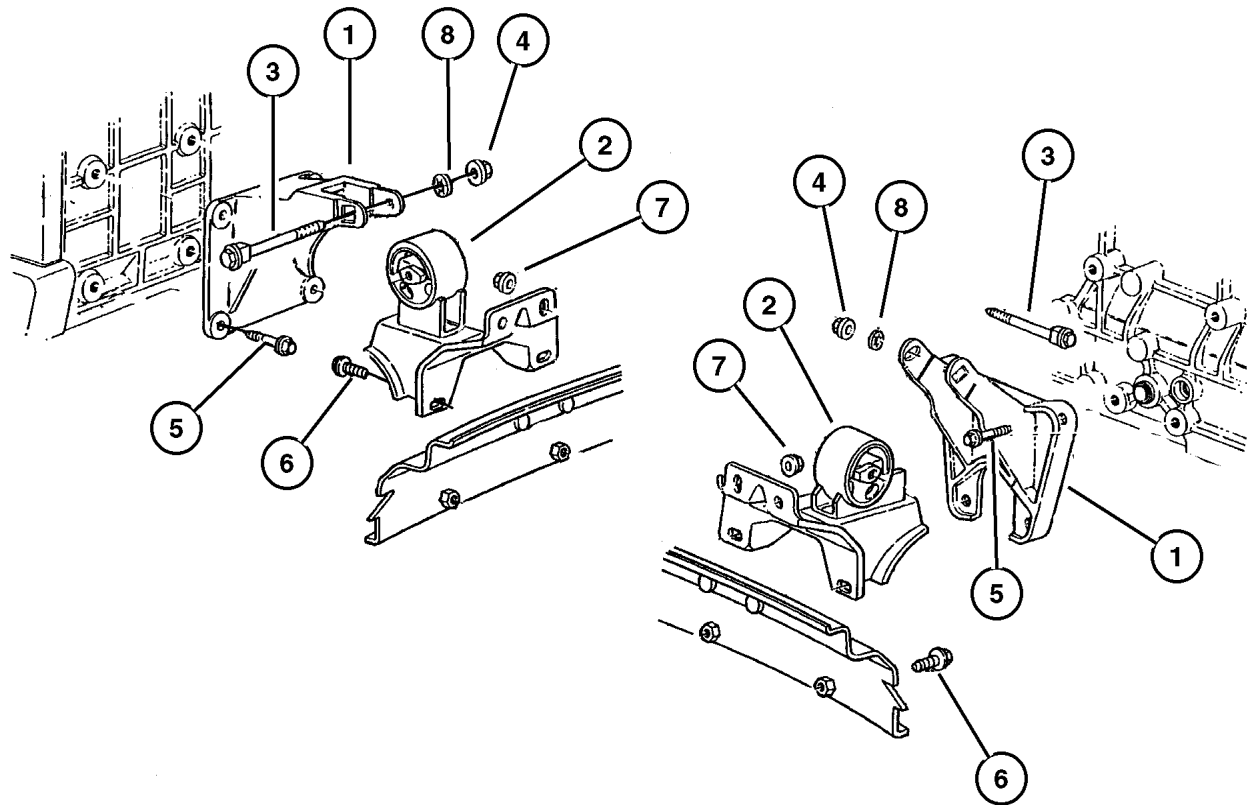
Engine Mounting, Front With 2.5 Diesel (ENC)	Fig. 009-110
Engine Mounting, Rear With 2.5 Diesel (ENC)	Fig. 009-120
Engine Mounting, Front With 4.0 (ERH)	Fig. 009-130
Engine Mounting, Rear With 4.0 (ERH)	Fig. 009-140



<p>009-100 Engine Mounting</p> 			
--	--	--	--

**Engine Mounting, Front With 2.5 Diesel (ENC)
Figure 009-110**

ITEM	PART NUMBER	QTY	LINE	ENGINE	TRANS	DESCRIPTION
NOTE: EN0=All 2.5L Diesel Engines DDB= Manual Transmission are on The Truck						
1	5205 9102	1		EN0		BRACKET, Engine Mount Left
	5205 9114	1		EN0		Right
2	52059 200AC	1		EN0		BRACKET, Engine Mount Right
	52059 201AC	1		EN0		Left
3	6101 742	2		EN0	DBB	BOLT, Square Neck, M12x1.75x130
4	6502 697	2				NUT, Hex Flange Lock, M12x1.75
5	6101 238	8		EN0		SCREW, Header Point, M10x1.50x25.00
6	6504 511	4		EN0		SCREW AND WASHER, M10x1.5x40
7	3420 1416	4		EN0		NUT, Hex Flange, M8x1.25
8						NUT, M12, (NOT SERVICED)



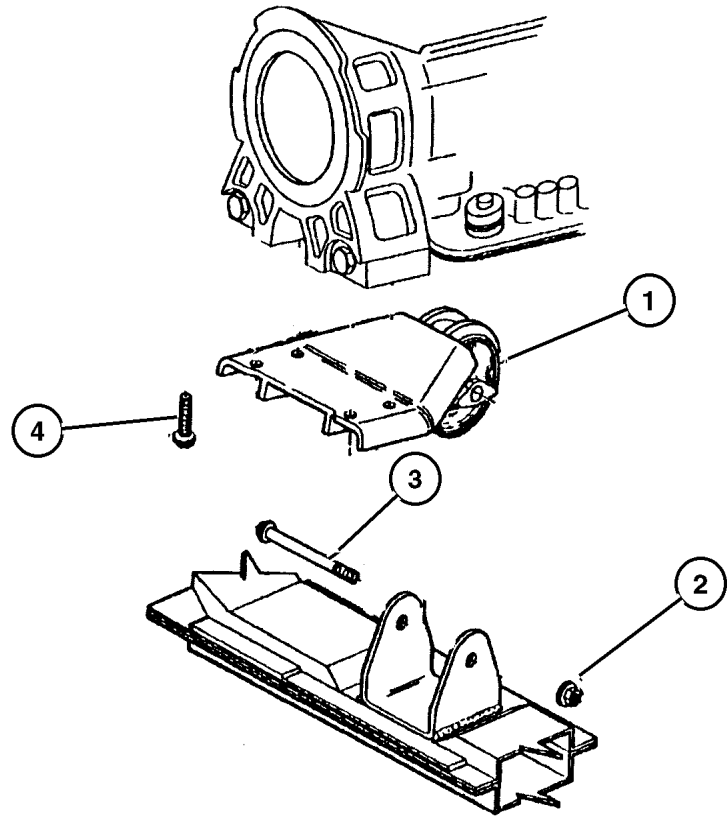
JEEP CHEROKEE (XJ)				
SERIES	LINE	BODY	ENGINE	TRANSMISSION
P = Limited	J = LHD (4WD)	74=4 Dr. (101.4 WB)	ENC, EN0 = 2.5L 4 Cyl Turbo	DDD = 5 Speed Manual
S = Limited	U = RHD (4WD)	72=2 Dr. (101.4 WB)	ERH, ER0 = 4.0L Power Tech	DGS = 4 Speed Auto AISIN
H = Sport	T = LHD (2WD)			DG0 = All Automatic Trans
L = SE	B = RHD (2WD)			DDB = All Manual Trans

AR = Use as required - = Non illustrated part # = New this model year

May 2, 2002

**Engine Mounting, Rear With 2.5 Diesel (ENC)
Figure 009-120**

ITEM	PART NUMBER	QTY	LINE	ENGINE	TRANS	DESCRIPTION
NOTE: ENC=2.5L Diesel Engine DDB= Manual Transmission are on The Truck						
1	5205 8539	1		ENC	DBB	ISOLATOR, Transmission Mount
2	6502 697	2				NUT, Hex Flange Lock, M12x1.75
3	3420 2606	1		ENC	DBB	BOLT, Hex Head
4						BOLT AND CONED WASHER, Hex Head, .437-14x1.12, (NOT SERVICED)



JEEP CHEROKEE (XJ)				
SERIES	LINE	BODY	ENGINE	TRANSMISSION
P = Limited	J = LHD (4WD)	74=4 Dr. (101.4 WB)	ENC, EN0 = 2.5L 4 Cyl Turbo	DDD = 5 Speed Manual
S = Limited	U = RHD (4WD)	72=2 Dr. (101.4 WB)	ERH, ER0 = 4.0L Power Tech	DGS = 4 Speed Auto AISIN
H = Sport	T = LHD (2WD)			DG0 = All Automatic Trans
L = SE	B = RHD (2WD)			DBB = All Manual Trans

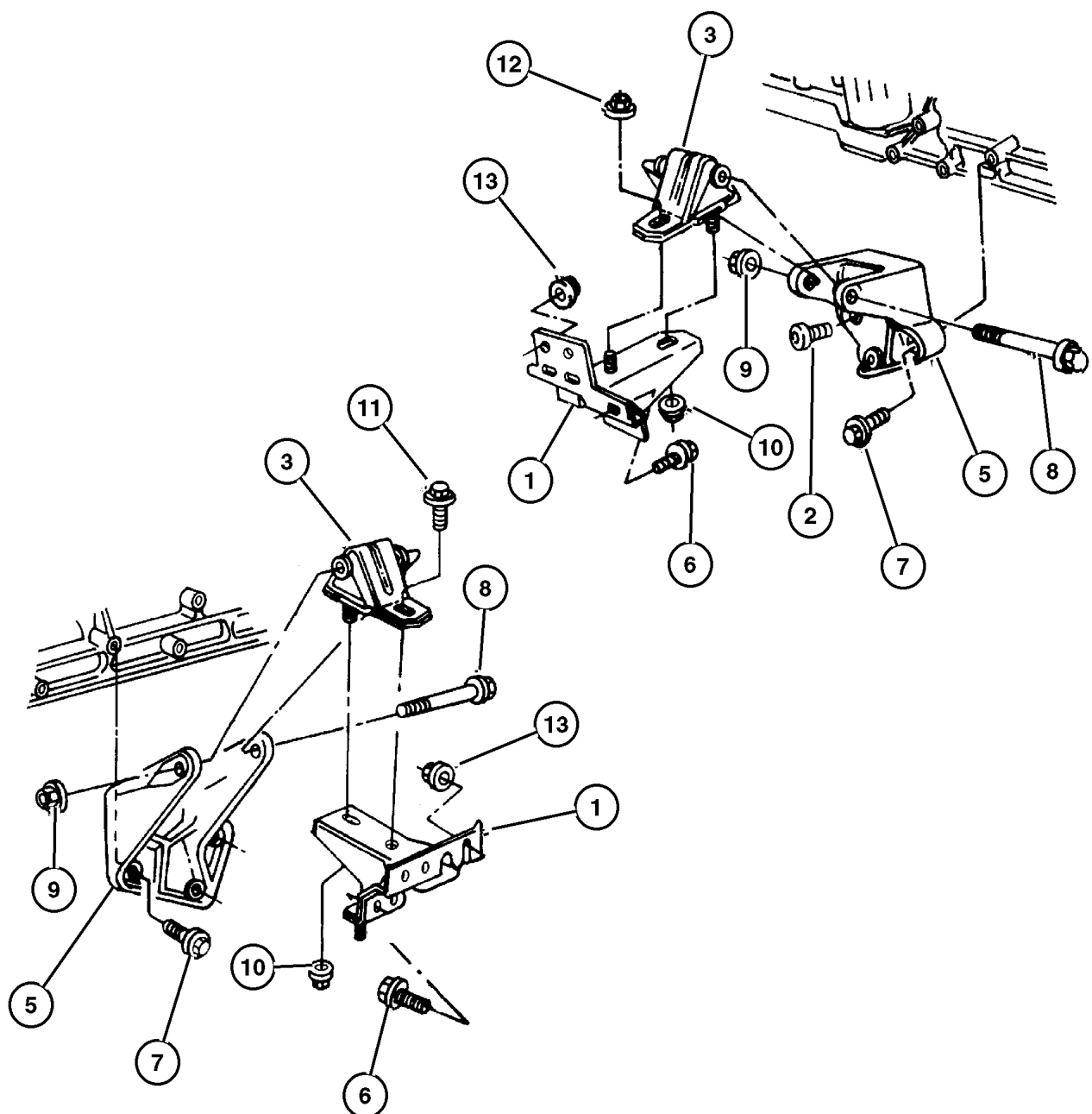
AR = Use as required - = Non illustrated part # = New this model year

May 2, 2002

**Engine Mounting, Front With 4.0 (ERH)
Figure 009-130**

ITEM	PART NUMBER	QTY	LINE	ENGINE	TRANS	DESCRIPTION
------	-------------	-----	------	--------	-------	-------------

NOTE: ER0=All 4.0L Engines are on The Truck
 DBB=Manual Transmission are on The Truck
 DGO=Automatic Transmission are on The Truck



1						BRACKET, Engine Mount
	52002 603AC	1		ER0		Left
	52019 010AC	1	J, T	ER0		Right
	52058 424AC	1	B, U	ER0		Right
2	6036 176AA	5		ER0		SCREW, Hex Head, .375-16x1.125
3						CUSHION, Engine Support
	52019 201AC	2	J, T	ER0		Left
		1	B, U	ER0		Right
-4	5202 0018	1	B, U	ER0		INSULATOR, Engine Mount, Right
5						BRACKET, Engine Mount
	52020 270AB	1		ER0		Right
	5200 2607	1		ER0		Left
6						SCREW AND WASHER, M10x1.5x40
	6504 511	2		EP0,		
		3		EP0,		
				ER0		
7	6036 176AA	5		ER0		SCREW, Hex Head, .375-16x1.125
8	6505 713AA	2		ER0		BOLT
9	6502 697	2		ER0		NUT, Hex Flange Lock, M12x1.75
10						NUT, M10x1.50, (NOT SERVICED)
11	6504 511	2		EP0,		SCREW AND WASHER, M10x1.5x40
				ER0		
12	6502 135	1	J, T	ER0		NUT, Hex Flange, M10x1.5
13	3420 1416	3		ER0		NUT, Hex Flange, M8x1.25

JEEP CHEROKEE (XJ)

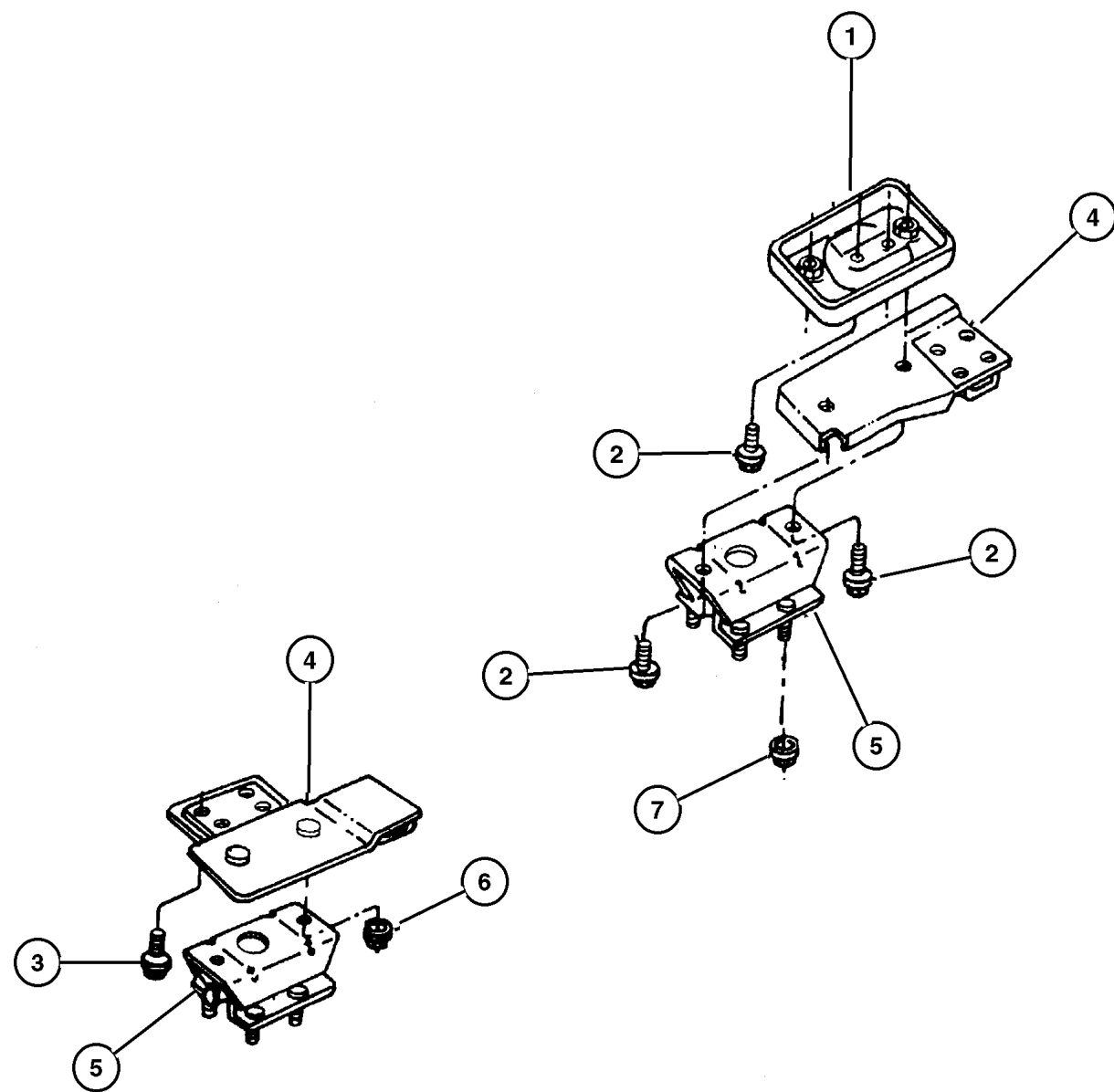
SERIES	LINE	BODY	ENGINE	TRANSMISSION
P = Limited	J = LHD (4WD)	74=4 Dr. (101.4 WB)	ENC, EN0 = 2.5L 4 Cyl Turbo	DDD = 5 Speed Manual
S = Limited	U = RHD (4WD)	72=2 Dr. (101.4 WB)	ERH, ER0 = 4.0L Power Tech	DGS = 4 Speed Auto AISIN
H = Sport	T = LHD (2WD)			DGO = All Automatic Trans
L = SE	B = RHD (2WD)			DBB = All Manual Trans

AR = Use as required - = Non illustrated part # = New this model year

May 2, 2002

**Engine Mounting, Rear With 4.0 (ERH)
Figure 009-140**

ITEM	PART NUMBER	QTY	LINE	ENGINE	TRANS	DESCRIPTION
NOTE: ER0=All 4.0L Engines DBB=All Manual Transmissions DG0=All Automatic Transmissions are on The Truck						
1	5200 2337	1	B, T	ER0	DG0	BRACKET, Engine Mount
2	5201 7887	2	B, T	ER0	DG0	BOLT, Hex Flange Head, M12x1.75x25
3						BOLT, Hex Head, .437-14x1.25, (NOT SERVICED)
4						BRACKET, Transmission Mount
	52058 882AB	1		ER0	DG0	
	52058 883AB	1		ER0	DBB	
5	52059 347AB	1		ER0		INSULATOR, Engine Mount
6	6502 697	2				NUT, Hex Flange Lock, M12x1.75
7	6101 695	4		ER0		NUT, Hex Flange Lock, M8x1.25



JEEP CHEROKEE (XJ)				
SERIES	LINE	BODY	ENGINE	TRANSMISSION
P = Limited	J = LHD (4WD)	74=4 Dr. (101.4 WB)	ENC, EN0 = 2.5L 4 Cyl Turbo	DDD = 5 Speed Manual
S = Limited	U = RHD (4WD)	72=2 Dr. (101.4 WB)	ERH, ER0 = 4.0L Power Tech	DGS = 4 Speed Auto AISIN
H = Sport	T = LHD (2WD)			DG0 = All Automatic Trans
L = SE	B = RHD (2WD)			DBB = All Manual Trans

AR = Use as required - = Non illustrated part # = New this model year

May 2, 2002

Group – 4.0L

Engine 4.0L Six Cylinder

GROUP 4.0L - Engine 4.0L Six Cylinder

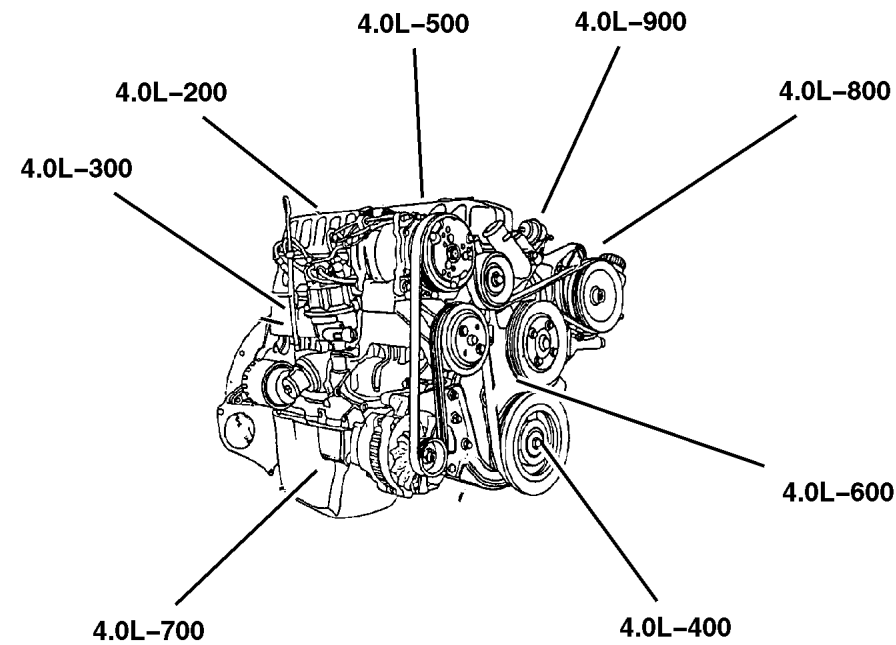


Illustration Title

Group-Fig. No.

Cylinder Head

Cylinder Head 4.0 (ERH) Fig. 4.0L-210

Cylinder Block

Cylinder Block 4.0 (ERH) Fig. 4.0L-310

Crankshaft, Piston and Torque Converter

Crankshaft, Piston and Torque Converter 4.0 (ERH) Fig. 4.0L-410

Camshafts & Valves

Camshaft and Valves 4.0 (ERH) Fig. 4.0L-510

Timing Belt and Cover

Timing Cover 4.0 (ERH) Fig. 4.0L-610

Engine Oiling

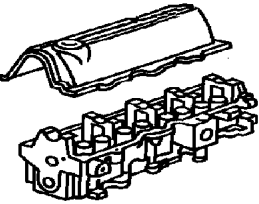
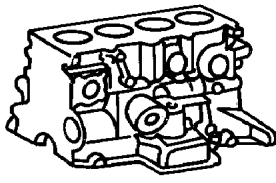
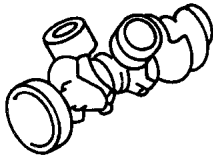
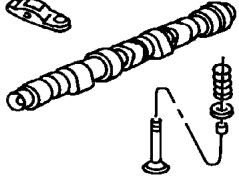
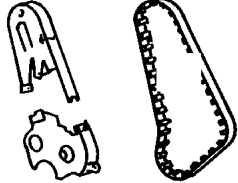
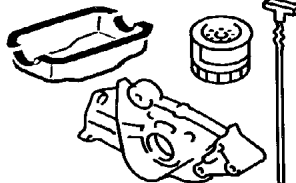
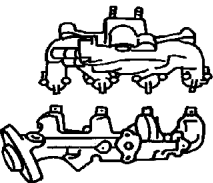
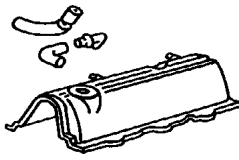
Engine Oiling 4.0 (ERH) Fig. 4.0L-710

Manifolds

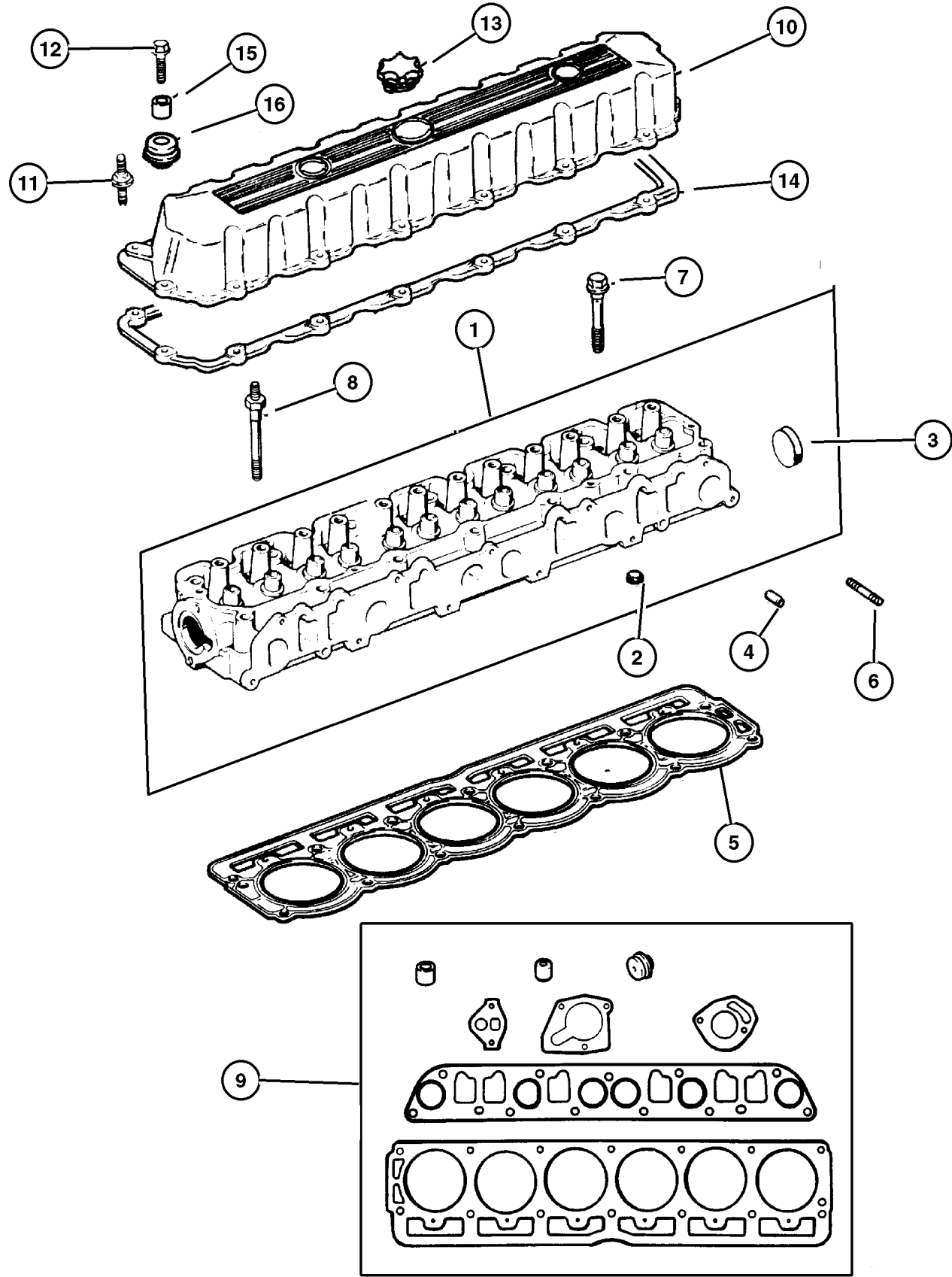
Manifold, Intake and Exhaust 4.0 (ERH) Fig. 4.0L-810

Crankcase Ventilation

Crankcase Ventilation 4.0 (ERH) Fig. 4.0L-910

<p>4.0L-200 Cylinder Head</p> 	<p>4.0L-300 Cylinder Block</p> 	<p>4.0L-400 Crankshaft, Piston and Torque Converter</p> 	<p>4.0L-500 Camshafts & Valves</p> 
<p>4.0L-600 Timing Belt and Cover</p> 	<p>4.0L-700 Engine Oiling</p> 	<p>4.0L-800 Manifolds</p> 	<p>4.0L-900 Crankcase Ventilation</p> 

Cylinder Head 4.0 (ERH)
Figure 4.0L-210

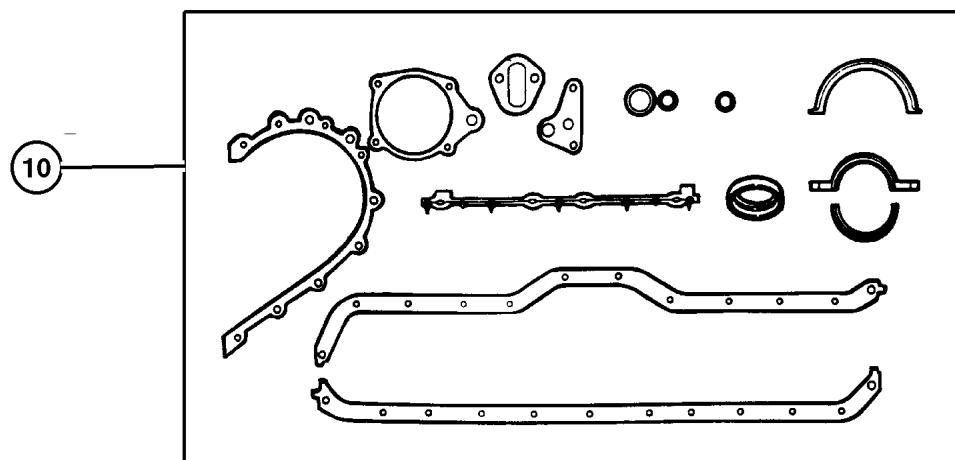
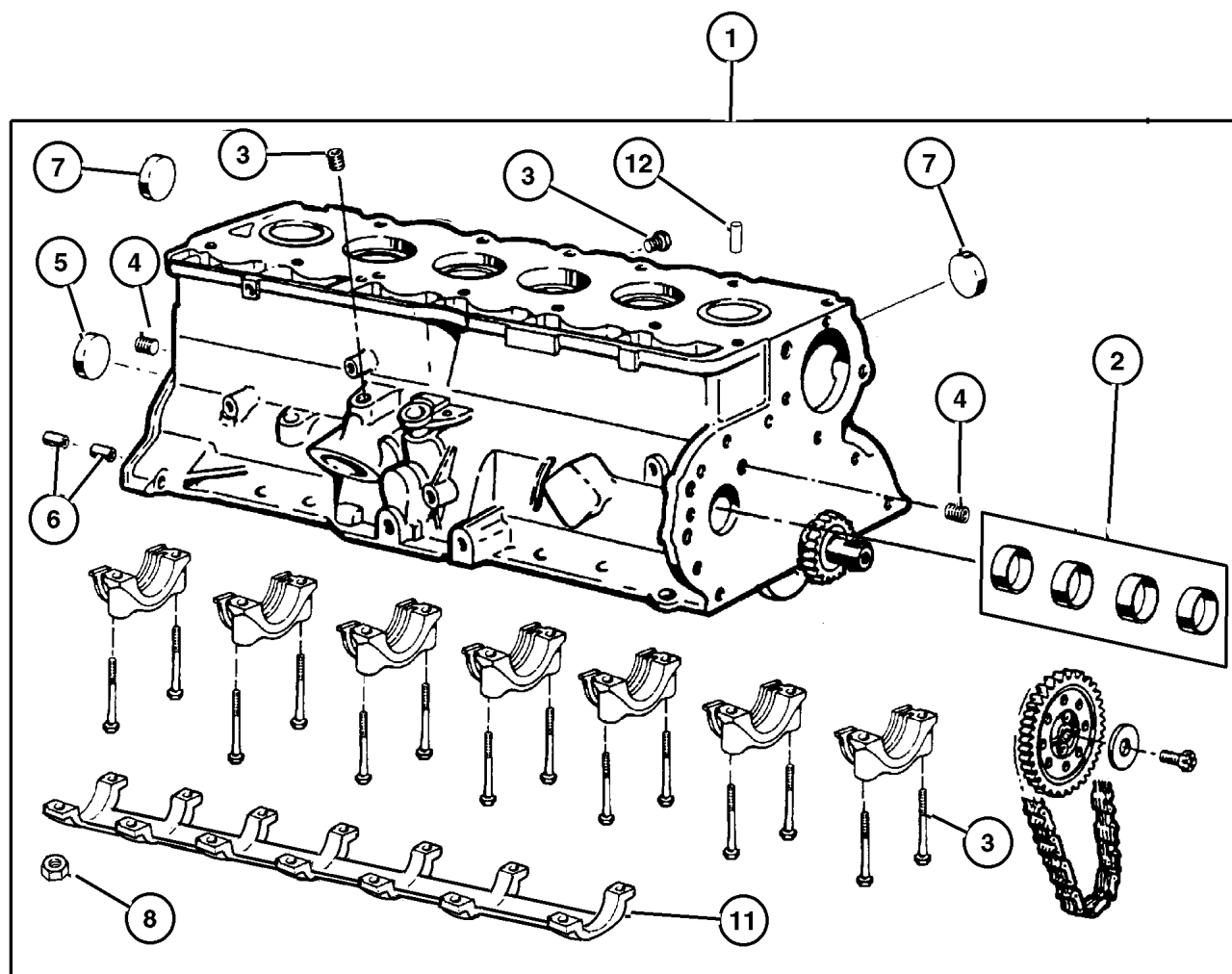


ITEM	PART NUMBER	QTY	LINE	ENGINE	TRANS	DESCRIPTION
NOTE: ER0=All 4.0L Engines DBB=All Manual Transmissions are on The Truck						
1	5301 0334	1		ER0		HEAD, Cylinder
2	J400 7434	4		ER0		PLUG, Cylinder Block Oil Hole
3	J310 5394	1		ER0		PLUG, Cylinder Block Oil Hole
4	J317 2318	2		ER0		DOWEL, Cylinder Head To Intake
5	53020 754AB	1		ER0		GASKET, Cylinder Head
6	6036 193AA	2		ER0		STUD, .375-16/.375-24x1.75, Head To Manifold Outer
7	6035 514	5		ER0		BOLT, Cylinder Head w/o Dome
	6035 515	2		ER0		w/Dome
8	6035 516	6		ER0		STUD, Double Ended, .50-13/.437-14x6.00
9	5012 365AA	1		ER0		GASKET PACKAGE, Engine Upper
10	5302 0323	1		ER0		COVER, Cylinder Head
11	6035 968AA	7		ER0		STUD, .250-20x2.00
12	6035 566	8		ER0		BOLT, Hex Flange Head, .250-20x1.00
13	4777 536	1		ER0		CAP, Oil Filler
14	53020 758AC	1		ER0		GASKET, Valve Cover
15	53020 598AB	15		ER0		SLEEVE, Torque Limiter
16	53010 424AB	15		ER0		GROMMET, Insulator

JEEP CHEROKEE (XJ)				
SERIES	LINE	BODY	ENGINE	TRANSMISSION
P = Limited	J = LHD (4WD)	74=4 Dr. (101.4 WB)	ENC, EN0 = 2.5L 4 Cyl Turbo	DDD = 5 Speed Manual
S = Limited	U = RHD (4WD)	72=2 Dr. (101.4 WB)	ERH, ER0 = 4.0L Power Tech	DGS = 4 Speed Auto AISIN
H = Sport	T = LHD (2WD)			DG0 = All Automatic Trans
L = SE	B = RHD (2WD)			DBB = All Manual Trans

AR = Use as required - = Non illustrated part # = New this model year

**Cylinder Block 4.0 (ERH)
Figure 4.0L-310**



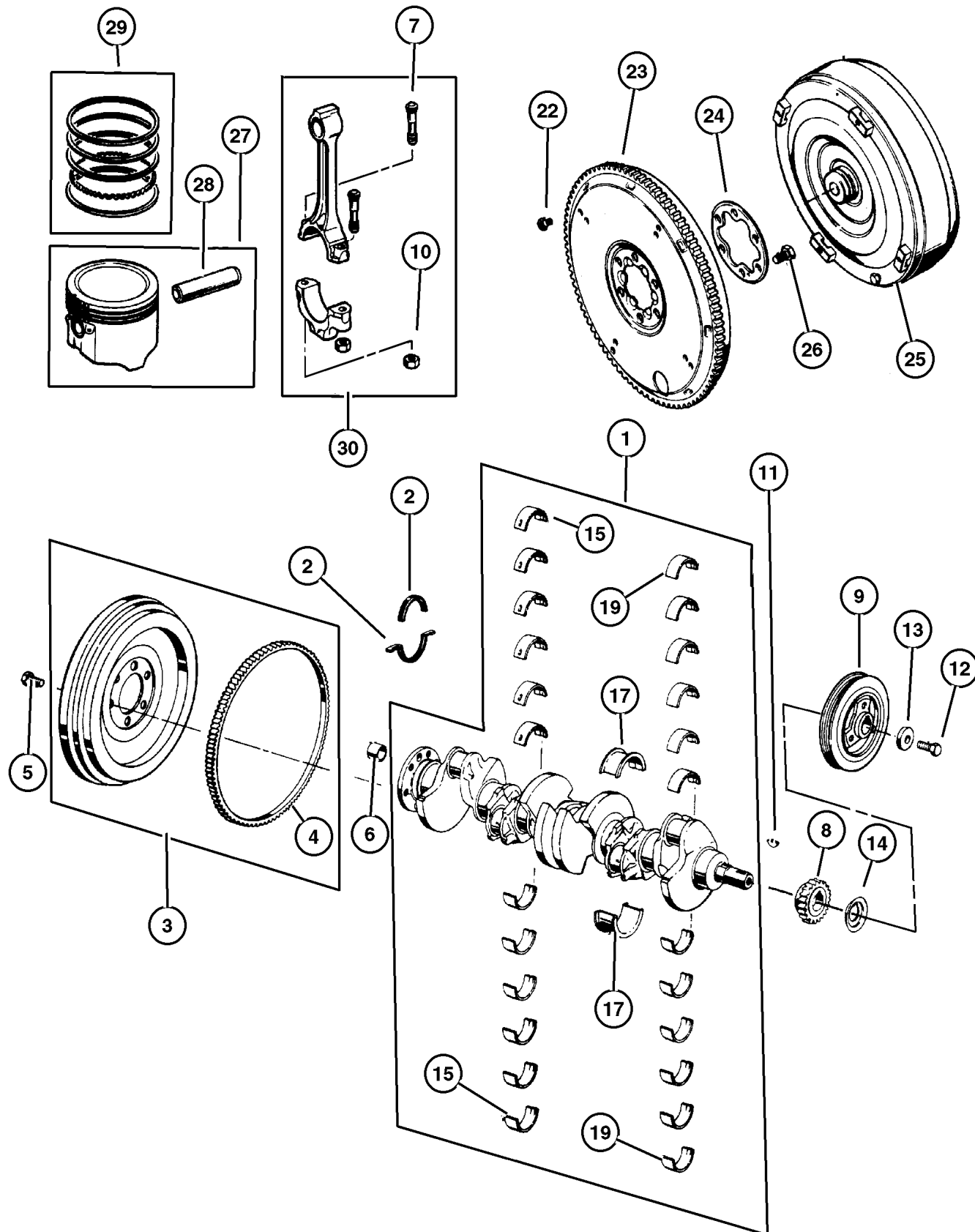
ITEM	PART NUMBER	QTY	LINE	ENGINE	TRANS	DESCRIPTION
NOTE: ER0=All 4.0L Engines DBB=All Manual Transmissions are on The Truck						
1	5013 116AB	1		ER0		BLOCK, Short, Contains: Crank, Rods, Pistons, Rings, Cam Bearings, Timing Chain, Sprockets
2	4636 985AB	1		ER0		BEARING PACKAGE, Camshaft, Standard Size
3	6035 207	14		ER0		STUD, .500-13/.375-16x3.97
4	6034 166	3		ER0		PLUG, Cylinder Block Oil Hole
5	J317 2313	1		ER0		PLUG, Camshaft
6	J400 5148	2		ER0		DOWEL, Transmission
7	J310 5394	6		ER0		PLUG, Cylinder Block Oil Hole
8	0152 474	14		ER0		NUT, Hex Flange Lock, .375-16
-9	5302 0465	1		ER0		PLUG, Cylinder Block, Rubber
10	5017 432AA	1		ER0		GASKET PACKAGE, Engine Lower
11	5302 0566	1		ER0		BRACE, Main Bearing Cap
12	0141 215	2		ER0		DOWEL, .312 x .500

JEEP CHEROKEE (XJ)				
SERIES	LINE	BODY	ENGINE	TRANSMISSION
P = Limited	J = LHD (4WD)	74=4 Dr. (101.4 WB)	ENC, EN0 = 2.5L 4 Cyl Turbo	DDD = 5 Speed Manual
S = Limited	U = RHD (4WD)	72=2 Dr. (101.4 WB)	ERH, ER0 = 4.0L Power Tech	DGS = 4 Speed Auto AISIN
H = Sport	T = LHD (2WD)			DG0 = All Automatic Trans
L = SE	B = RHD (2WD)			DBB = All Manual Trans

AR = Use as required - = Non illustrated part # = New this model year

May 2, 2002

Crankshaft, Piston and Torque Converter 4.0 (ERH) Figure 4.0L-410



ITEM	PART NUMBER	QTY	LINE	ENGINE	TRANS	DESCRIPTION
NOTE: ER0=All 4.0L Engines DBB=All Manual Transmissions DG0=All Automatic Transmissions DGS=Aisin 4 Speed Automatic Transmission are on The Truck						
1	4864 726AB	1		ER0		CRANKSHAFT
2	53020 599AB	2		ER0		SEAL, Rear Main Crankshaft
3	53020 519AB	1		ER0	DBB	FLYWHEEL
4	J317 9741	1		ER0	DBB	GEAR, Ring
5	J317 0524	6		ER0	DBB	BOLT, Flywheel
6	53009 180AB	1		ER0	DBB	BEARING, Pilot
7	5302 0123	12		ER0		BOLT, Connecting Rod
8	5302 0443	1		ER0		GEAR, Crankshaft
9	33002 920AB	1		ER0		DAMPER, Crankshaft
10	J400 6385	12		ER0		NUT, Hex Flange, .3437-24
11	6034 749	1		ER0		KEY, Crankshaft Sprocket
12	0182 776	1		ER0		BOLT
13	J323 0155	1		ER0		WASHER, Plain
14						SLINGER, Oil, (NOT REQUIRED)
15	8350 7079	6		ER0		BEARING PACKAGE, Crankshaft, Standard
-16	8350 7080	AR		ER0		BEARING PACKAGE, Crankshaft, .001 Undersize
17	8350 7084	1		ER0		BEARING PACKAGE, Crankshaft Thrust, Standard Size
-18	8350 7086	AR		ER0		BEARING PACKAGE, Crankshaft Thrust, .001" Undersize
19	83500 300AB	6		ER0		BEARING KIT, Connecting Rod, Standard
-20	83501 397AB	AR		ER0		BEARING KIT, Connecting Rod, .001 Undersize
-21	83500 301AB	AR		ER0		BEARING PACKAGE, Connecting Rod, .010 Undersize
22	3420 2497	4		ER0	DG0	BOLT, Hex Head, M10x1.50x14
23	5211 8551	1		ER0	DG0	PLATE, Drive Plate
24	J321 4094	1		ER0	DG0	PLATE, Drive Plate Backing
25						CONVERTER, Torque
	5300 3431	1	J, U B, T		DGS DGS	
26	J315 1407	6		ER0	DG0	BOLT, Hex Head, .50-20x.56
27						PISTON PIN AND ROD
	#4798 329AC	6		ER0		'B' Size, 3.8742
	#4798 330AC	6		ER0		'C' Size, 3.8746
	#4798 331AC	6		ER0		'D' Size, 3.8750
	#4798 332AC	6		ER0		'E' Size, 3.8754
	#4798 333AC	6		ER0		'F' Size, 3.8758
28						PIN, Piston, Serviced in Piston Assembly, (NOT SERVICED)
29	4798 878	1		ER0		RING PACKAGE, Piston, Standard Size Complete Engine
30						ROD, Connecting, Serviced in Piston Assembly, (NOT SERVICED)

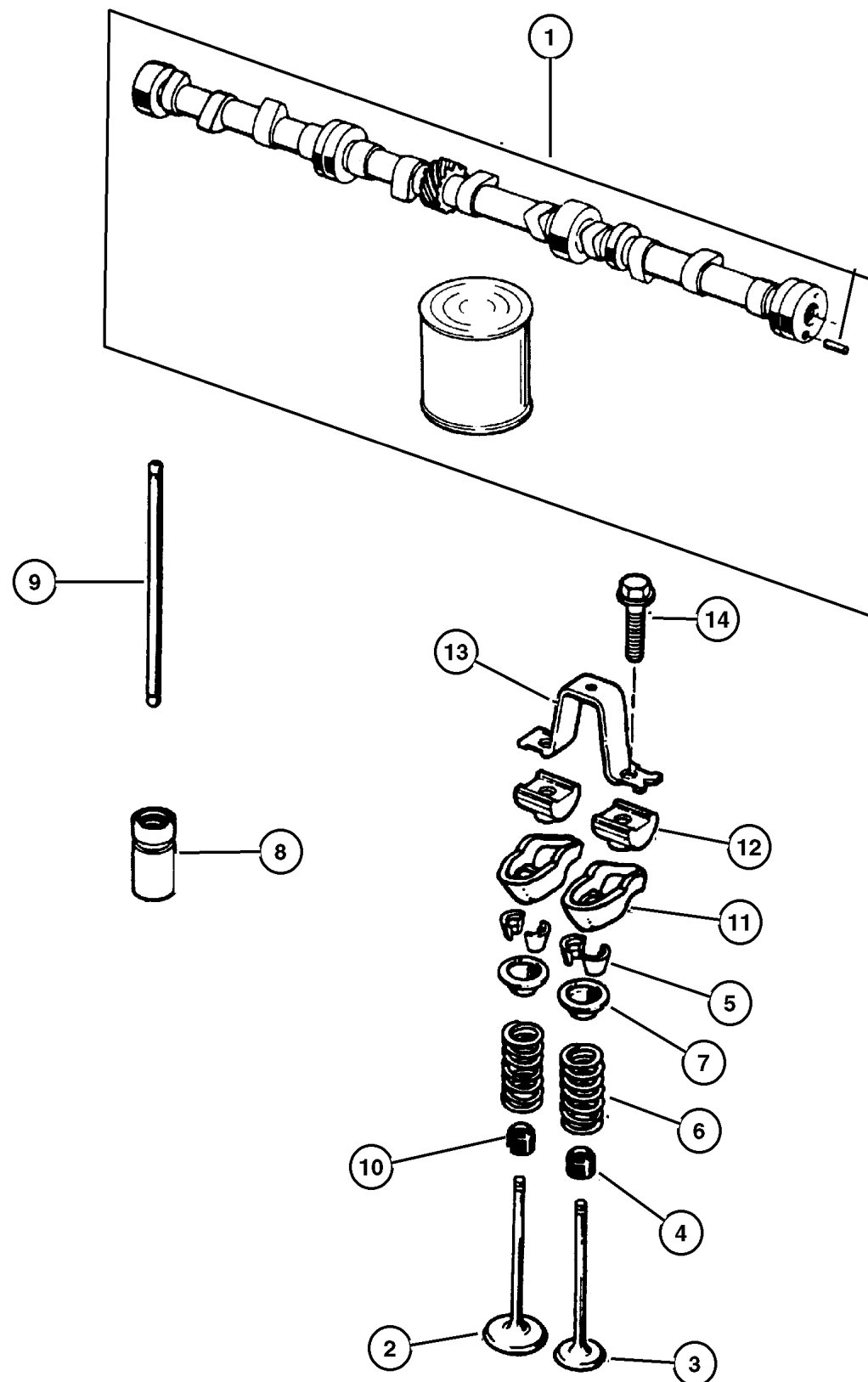
JEEP CHEROKEE (XJ)

SERIES	LINE	BODY	ENGINE	TRANSMISSION
P = Limited	J = LHD (4WD)	74=4 Dr. (101.4 WB)	ENC, EN0 = 2.5L 4 Cyl Turbo	DDD = 5 Speed Manual
S = Limited	U = RHD (4WD)	72=2 Dr. (101.4 WB)	ERH, ER0 = 4.0L Power Tech	DGS = 4 Speed Auto AISIN
H = Sport	T = LHD (2WD)			DG0 = All Automatic Trans
L = SE	B = RHD (2WD)			DBB = All Manual Trans

AR = Use as required - = Non illustrated part # = New this model year

May 2, 2002

Camshaft and Valves 4.0 (ERH)
Figure 4.0L-510



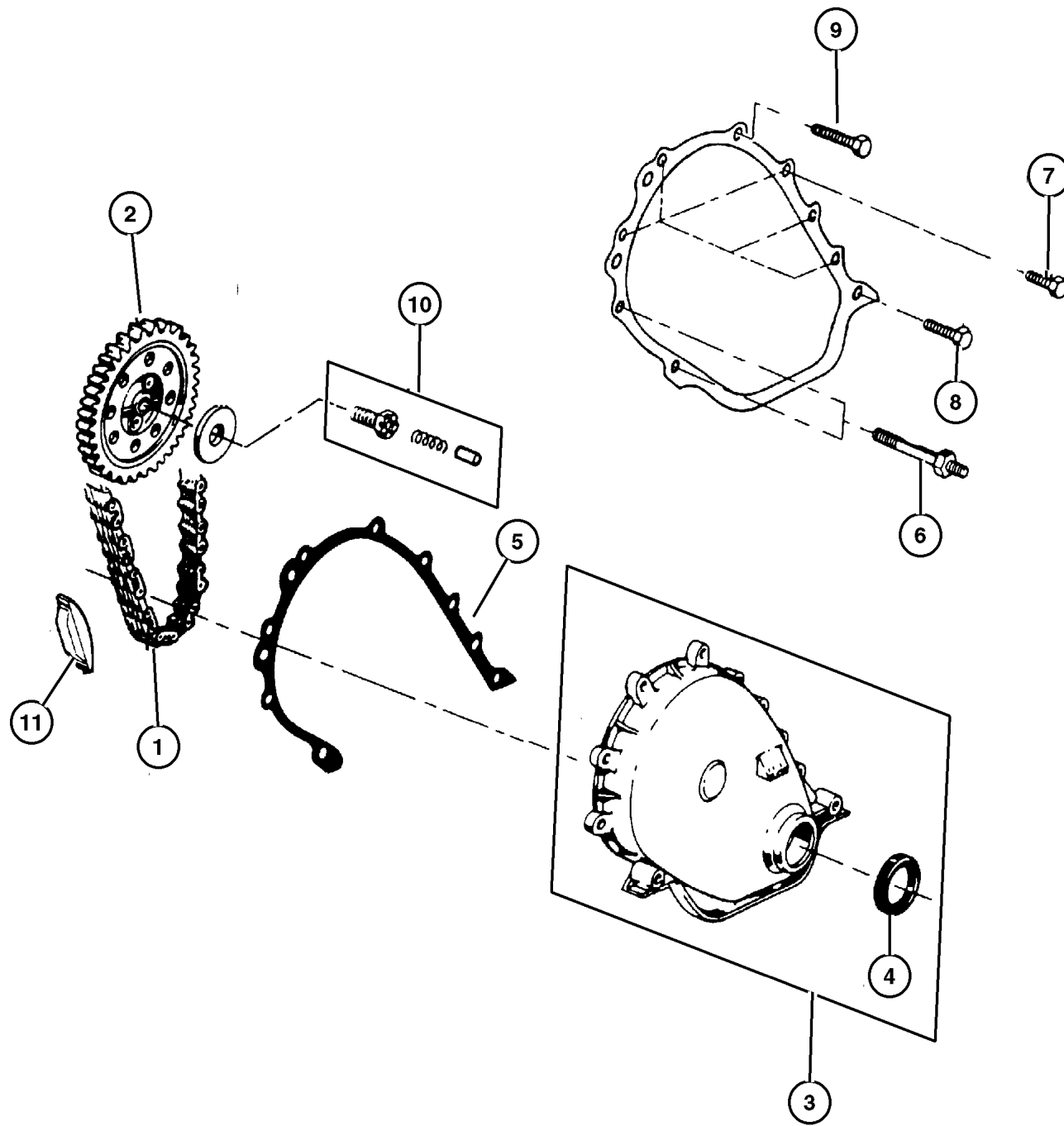
ITEM	PART NUMBER	QTY	LINE	ENGINE	TRANS	DESCRIPTION
NOTE: ER0=All 4.0L Engines are on The Truck						
1	53010 448AA	1		ER0		CAMSHAFT
2	53010 512AA	6		ER0		VALVE, Intake, Standard
3	53010 513AA	6		ER0		VALVE, Exhaust, Standard
4	5300 9886	6		ER0		SEAL, Valve Guide, Standard, Intake
5	53010 515AA	24		ER0		LOCK, Valve Spring Retainer
6	5301 0388	12		ER0		SPRING, Valve
7	53010 514AA	12		ER0		RETAINER, Valve Spring
8	4740 269	12		ER0		TAPPET, Valve
9	3300 2986	12		ER0		PUSH ROD, Valve
10	5300 9887	6		ER0		SEAL, Valve Guide, Standard, Exhaust
11	J324 2393	12		ER0		ROCKER ARM, Valve
12	J323 5090	12		ER0		PIVOT, Rocker Arm
13	J323 6513	6		ER0		BRIDGE, Rocker Arm
14	J942 5708	12		ER0		BOLT, Hex Flange Head, .312-18x1.25

JEEP CHEROKEE (XJ)				
SERIES	LINE	BODY	ENGINE	TRANSMISSION
P = Limited	J = LHD (4WD)	74=4 Dr. (101.4 WB)	ENC, EN0 = 2.5L 4 Cyl Turbo	DDD = 5 Speed Manual
S = Limited	U = RHD (4WD)	72=2 Dr. (101.4 WB)	ERH, ER0 = 4.0L Power Tech	DGS = 4 Speed Auto AISIN
H = Sport	T = LHD (2WD)			DG0 = All Automatic Trans
L = SE	B = RHD (2WD)			DBB = All Manual Trans

AR = Use as required - = Non illustrated part # = New this model year

May 2, 2002

Timing Cover 4.0 (ERH)
Figure 4.0L-610

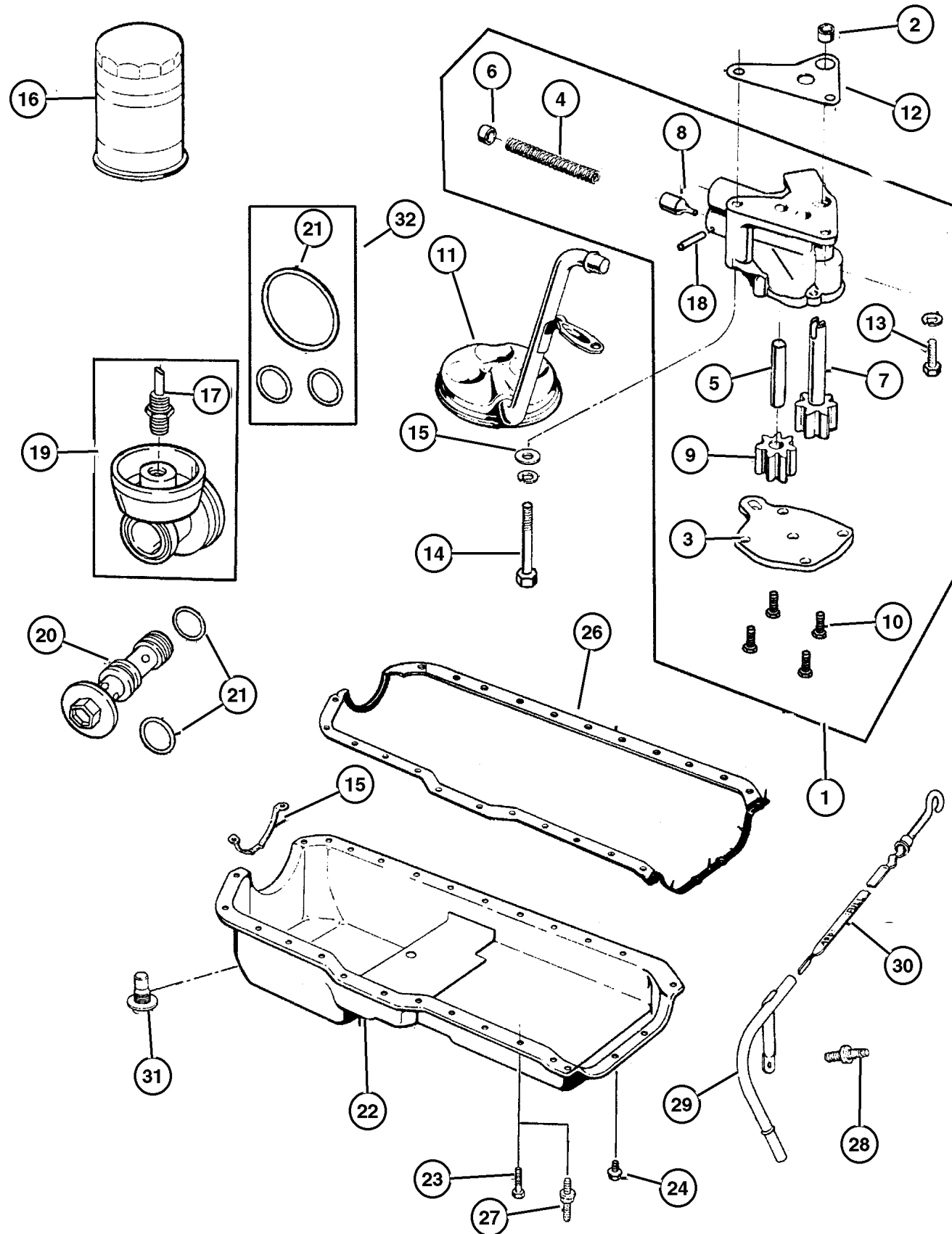


ITEM	PART NUMBER	QTY	LINE	ENGINE	TRANS	DESCRIPTION
NOTE: ER0=All 4.0L Engines are on The Truck						
1	5302 0444	1		ER0		CHAIN, Timing
2	53010 557AA	1		ER0		SPROCKET, Camshaft
3	5302 0222	1		ER0		COVER, Timing Belt
4	3300 4681	1		ER0		SEAL, Front Main Crankshaft
5	5302 0487	1		ER0		GASKET, Front Cover
6	6035 921AA	1		ER0		STUD
7	6035 893	5		ER0		BOLT, Hex
8	6035 895	1		ER0		SCREW
9	6035 894	1		ER0		SCREW
10	6024 030	1		ER0		SCREW AND WASHER, Hex
11	3300 3446	1		ER0		SNUBBER, Timing Chain
-12	5301 0401	1		ER0		PLATE, Camshaft Thrust
-13	6035 975AA	2		ER0		SCREW, Pan Head

JEEP CHEROKEE (XJ)				
SERIES	LINE	BODY	ENGINE	TRANSMISSION
P = Limited	J = LHD (4WD)	74=4 Dr. (101.4 WB)	ENC, EN0 = 2.5L 4 Cyl Turbo	DDD = 5 Speed Manual
S = Limited	U = RHD (4WD)	72=2 Dr. (101.4 WB)	ERH, ER0 = 4.0L Power Tech	DGS = 4 Speed Auto AISIN
H = Sport	T = LHD (2WD)			DG0 = All Automatic Trans
L = SE	B = RHD (2WD)			DBB = All Manual Trans

AR = Use as required - = Non illustrated part # = New this model year

**Engine Oiling 4.0 (ERH)
Figure 4.0L-710**



ITEM	PART NUMBER	QTY	LINE	ENGINE	TRANS	DESCRIPTION
NOTE: ER0=All 4.0L Engines are on The Truck						
1	J324 1399	1		ER0		PUMP, Engine Oil
2	J400 5149	1		ER0		DOWEL, Oil Pump
3	J324 1733	1		ER0		COVER, Engine Oil Pump
4	J323 9668	1		ER0		SPRING, Oil Pressure Relief Valve
5	J317 1956	1		ER0		SHAFT, Oil Pump
6	J317 1958	1		ER0		RETAINER, Oil Release Valve
7	J317 2334	1		ER0		GEAR, Oil Pump
8	J318 8661	1		ER0		PLUNGER, Oil Pressure Relief Valve
9	J319 6843	1		ER0		GEAR, Oil Pump Driven
10	J941 6852	4		ER0		SCREW, Hex Flange Head, .25-20x.50
11	3300 2696	1		ER0		TUBE, Oil Pump Inlet
12	J317 2332	1		ER0		GASKET, Oil Pump
13	6022 235	1		ER0		BOLT AND WASHER, Hex Head, .312-18x1.00
14	0154 593	1		ER0		SCREW, Hex Head Coned, .312-18x2.625
15	53010 511AA	1		ER0		SUPPORT, Engine Oil Pan
16	5281 090	1		ER0		FILTER, Engine Oil
17	5300 7563	1		ER0		CONNECTOR, Oil Filter
18	J027 1448	1		ER0		PIN, Roll, 5/32" x 1.00"
19	5302 0080	1		ER0		ADAPTER, Oil Filter
20	5302 0237	1		ER0		BOLT, Oil Filter Adapter
21	3300 2972	1		ER0		O RING, Oil Filter Adapter
22	53020 833AB	1		ER0		PAN, Engine Oil
23	6034 732	14		ER0		SCREW AND WASHER, Hex Head, .25-20x.545
24	6034 483	3		ER0		SCREW, Hex Head Coned, .312-18x.875
25	6034 733	1		ER0		STUD, .312-18/.250-20x1.680
26	53007 568AC	1		ER0		GASKET, Oil Pan
27	6034 734	10		ER0		BOLT, Double Stud Hex, .250-20x1.437 & .250-20 x.700
28	6035 664	1		ER0		STUD, .312-18x1.560
29	5302 0782	1		ER0		TUBE, Oil Filler
30	5301 0445	1		ER0		INDICATOR, Engine Oil Level
31	6035 417	1		ER0		PLUG, Oil Drain
32	4720 363	1		ER0		SEAL PACKAGE, Oil Filter Adapter
33	5083 881AA	1		ER0		DRIVE, OIL PUMP

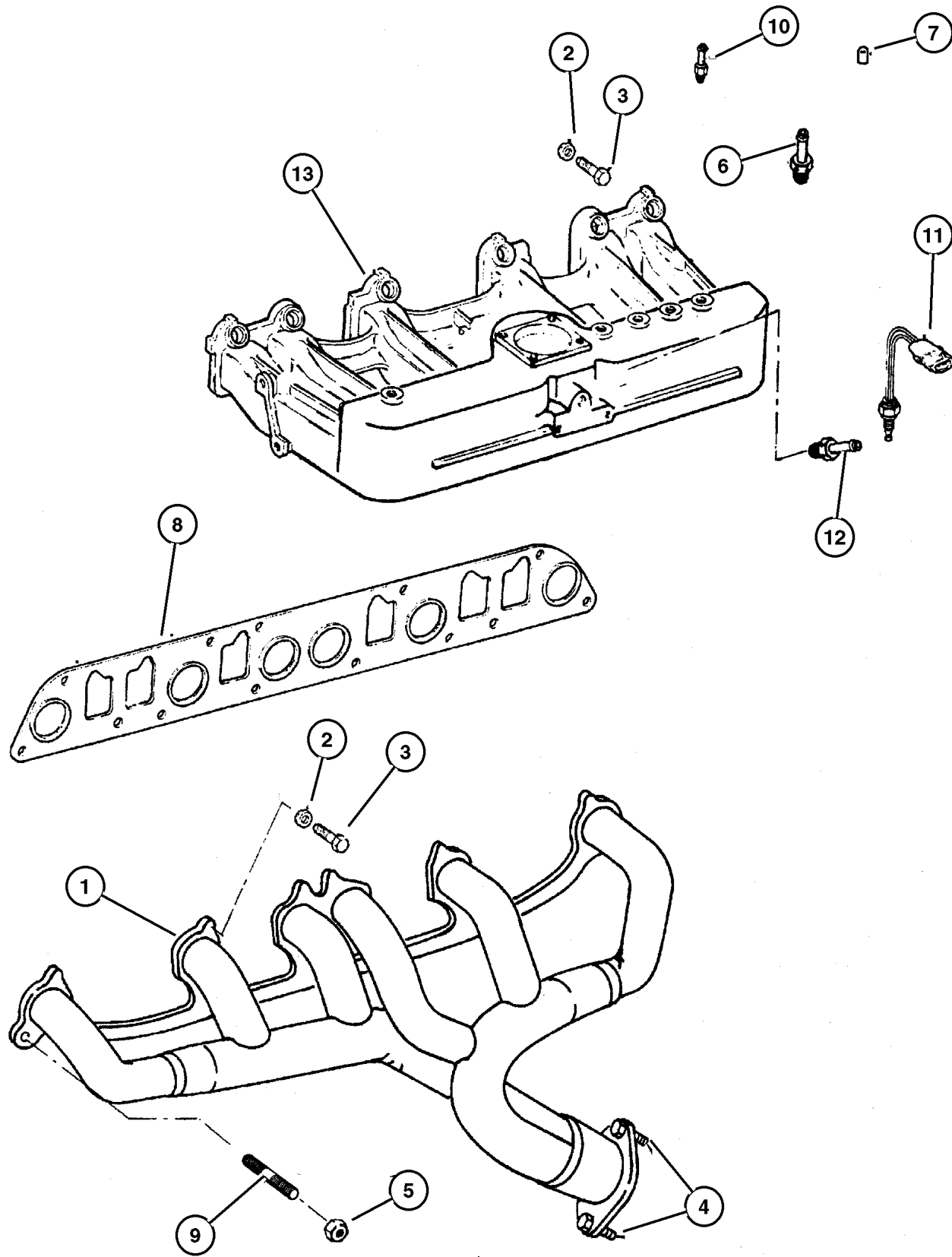
JEEP CHEROKEE (XJ)

SERIES	LINE	BODY	ENGINE	TRANSMISSION
P = Limited	J = LHD (4WD)	74=4 Dr. (101.4 WB)	ENC, EN0 = 2.5L 4 Cyl Turbo	DDD = 5 Speed Manual
S = Limited	U = RHD (4WD)	72=2 Dr. (101.4 WB)	ERH, ER0 = 4.0L Power Tech	DGS = 4 Speed Auto AISIN
H = Sport	T = LHD (2WD)			DG0 = All Automatic Trans
L = SE	B = RHD (2WD)			DBB = All Manual Trans

AR = Use as required - = Non illustrated part # = New this model year

May 2, 2002

**Manifold, Intake and Exhaust 4.0 (ERH)
Figure 4.0L-810**



ITEM	PART NUMBER	QTY	LINE	ENGINE	TRANS	DESCRIPTION
NOTE: ER0=All 4.0L Engines are on The Truck						
1	5301 0196	1		ER0		MANIFOLD, Exhaust Front
	5301 0199	1		ER0		Rear
2	6036 171AA	2		ER0		NUT AND WASHER, Manifold To Head
3	6036 045AA	1		ER0		BOLT AND RETAINER, Hex Head, Exhaust Manifold Middle
4	6505 754AA	4		ER0		SCREW, Hex Head
5	6036 171AA	2		ER0		NUT AND WASHER
6	4854 194	1		ER0		FITTING, Vacuum, Serviced in Manifold
7	3580 172	1		ER0		CAP, Vacuum
8	4854 038	1		ER0		GASKET, Intake/Exhaust Manifold
9	6036 193AA	2		ER0		STUD, .375-16/.375-24x1.75, Exhaust Manifold To Head Outboard
10	4854 194	1		ER0		FITTING, Vacuum, Serviced in Manifold
11	5602 7872	1		ER0		SENSOR, Air Temperature
12	4854 194	1		ER0		FITTING, Vacuum
13	4854 197AA	1		ER0		MANIFOLD, Intake

JEEP CHEROKEE (XJ)				
SERIES	LINE	BODY	ENGINE	TRANSMISSION
P = Limited	J = LHD (4WD)	74=4 Dr. (101.4 WB)	ENC, EN0 = 2.5L 4 Cyl Turbo	DDD = 5 Speed Manual
S = Limited	U = RHD (4WD)	72=2 Dr. (101.4 WB)	ERH, ER0 = 4.0L Power Tech	DGS = 4 Speed Auto AISIN
H = Sport	T = LHD (2WD)			DG0 = All Automatic Trans
L = SE	B = RHD (2WD)			DBB = All Manual Trans

AR = Use as required - = Non illustrated part # = New this model year

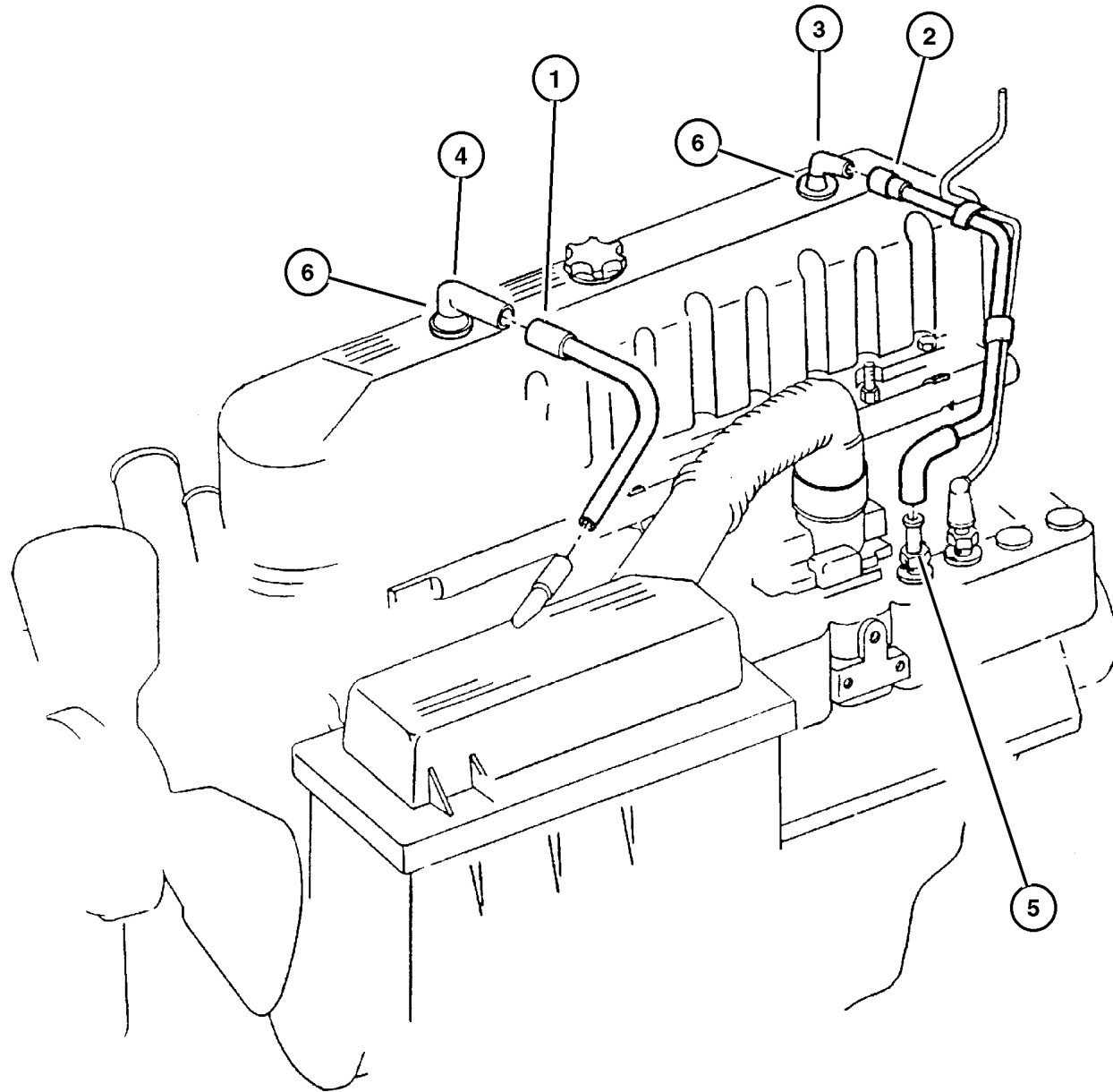
May 2, 2002

**Crankcase Ventilation 4.0 (ERH)
Figure 4.0L-910**

ITEM	PART NUMBER	QTY	LINE	ENGINE	TRANS	DESCRIPTION
------	-------------	-----	------	--------	-------	-------------

NOTE: ER0=All 4.0L Engines are on The Truck
 NAS= U.S. 50 States are on The Truck
 NAB= Leaded Fuel are on The Truck
 NAC= European II are on The Truck
 NA3= European III are on The Truck

1	4854 180	1		ER0		TUBE, Cylinder Cover to A/CInr
2	4854 265	1		ER0		TUBE, Crankcase Vent To Intake Manifold With S/C NAS And NAB
	53013 066AA	1		ER0		With S/C NAC And NA3
3	5303 0495	1		ER0		TUBE, Crankcase Vent To Air Cleaner
4	5303 0991	1		ER0		FITTING, Crankcase Vent Tube
5	4854 194	1		ER0		FITTING, Vacuum
6	2946 079	2		ER0		GROMMET, Crankcase Vent



JEEP CHEROKEE (XJ)

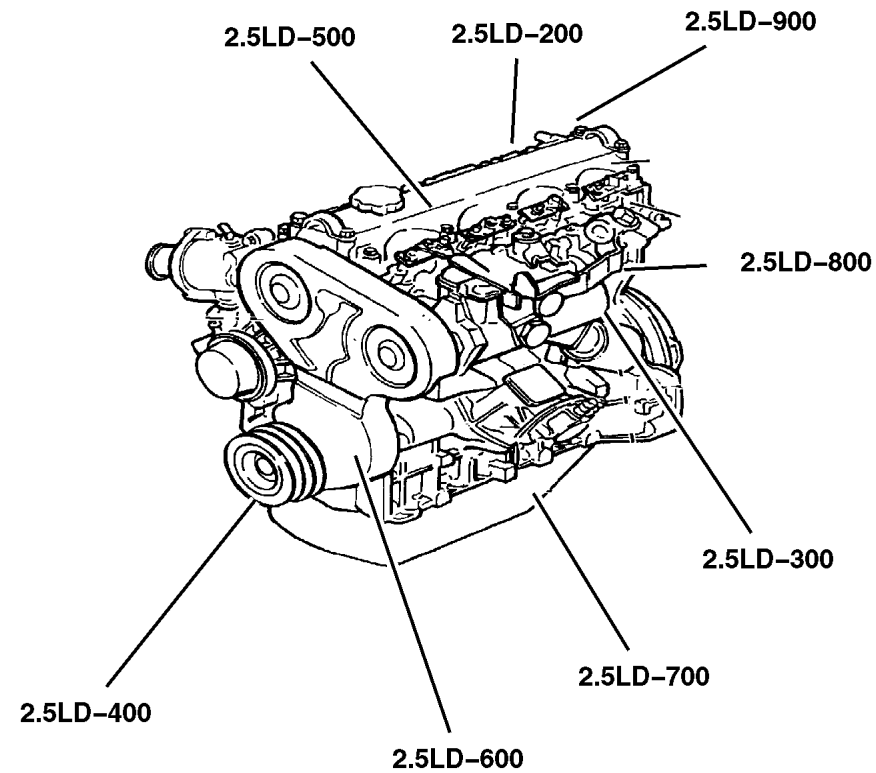
SERIES	LINE	BODY	ENGINE	TRANSMISSION
P = Limited	J = LHD (4WD)	74=4 Dr. (101.4 WB)	ENC, EN0 = 2.5L 4 Cyl Turbo	DDD = 5 Speed Manual
S = Limited	U = RHD (4WD)	72=2 Dr. (101.4 WB)	ERH, ER0 = 4.0L Power Tech	DGS = 4 Speed Auto AISIN
H = Sport	T = LHD (2WD)			DG0 = All Automatic Trans
L = SE	B = RHD (2WD)			DBB = All Manual Trans

AR = Use as required - = Non illustrated part # = New this model year

May 2, 2002

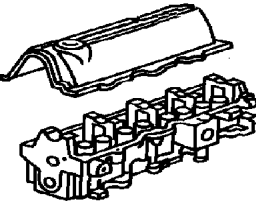
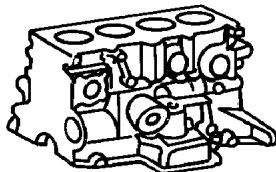
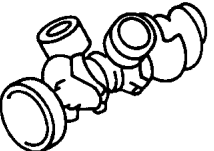
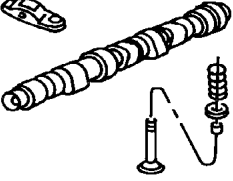
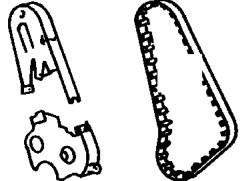
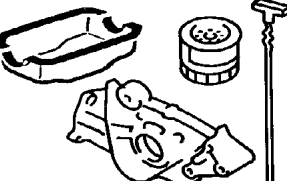
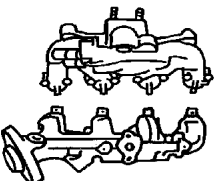
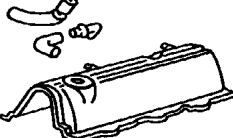
Group – 2.5LD

Engine 2.5L Four Cylinder (Turbo Diesel)

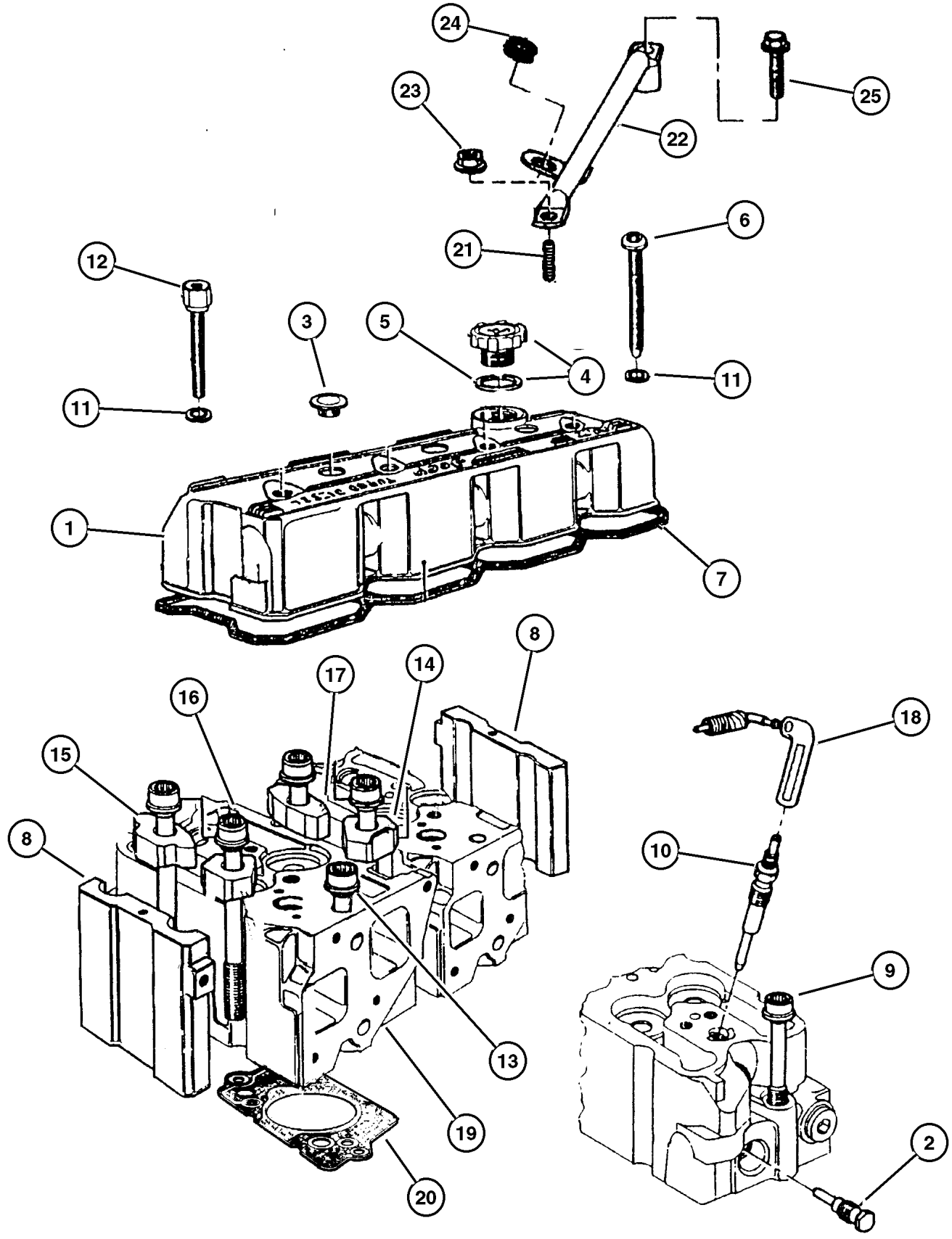


GROUP 2.5LD - Engine 2.5L Four Cylinder (Turbo Diesel)

Illustration Title	Group-Fig. No.
Cylinder Head	
Cylinder Head 2.5 Diesel (ENC)	Fig. 2.5LD-210
Cylinder Block	
Cylinder Block 2.5 Diesel (ENC)	Fig. 2.5LD-310
Crankshaft, Piston and Drive Plate	
Crankshaft, Piston and Torque Converter 2.5 Diesel (ENC)	Fig. 2.5LD-410
Camshafts & Valves	
Camshaft and Valves 2.5 Diesel (ENC)	Fig. 2.5LD-510
Timing Belt and Cover	
Timing Cover And Related 2.5 Diesel (ENC)	Fig. 2.5LD-610
Engine Oiling	
Engine Oiling 2.5 Diesel (ENC)	Fig. 2.5LD-710
Oil Lines 2.5 Diesel (ENC)	Fig. 2.5LD-720
Manifolds	
Manifold, Intake and Exhaust 2.5 Diesel (ENC)	Fig. 2.5LD-810
Crankcase Ventilation	
Crankcase Ventilation 2.5 Diesel (ENC)	Fig. 2.5LD-910

2.5LD-200 Cylinder Head 	2.5LD-300 Cylinder Block 	2.5LD-400 Crankshaft, Piston and Drive Plate 	2.5LD-500 Camshafts & Valves 
2.5LD-600 Timing Belt and Cover 	2.5LD-700 Engine Oiling 	2.5LD-800 Manifolds 	2.5LD-900 Crankcase Ventilation 

**Cylinder Head 2.5 Diesel (ENC)
Figure 2.5LD-210**

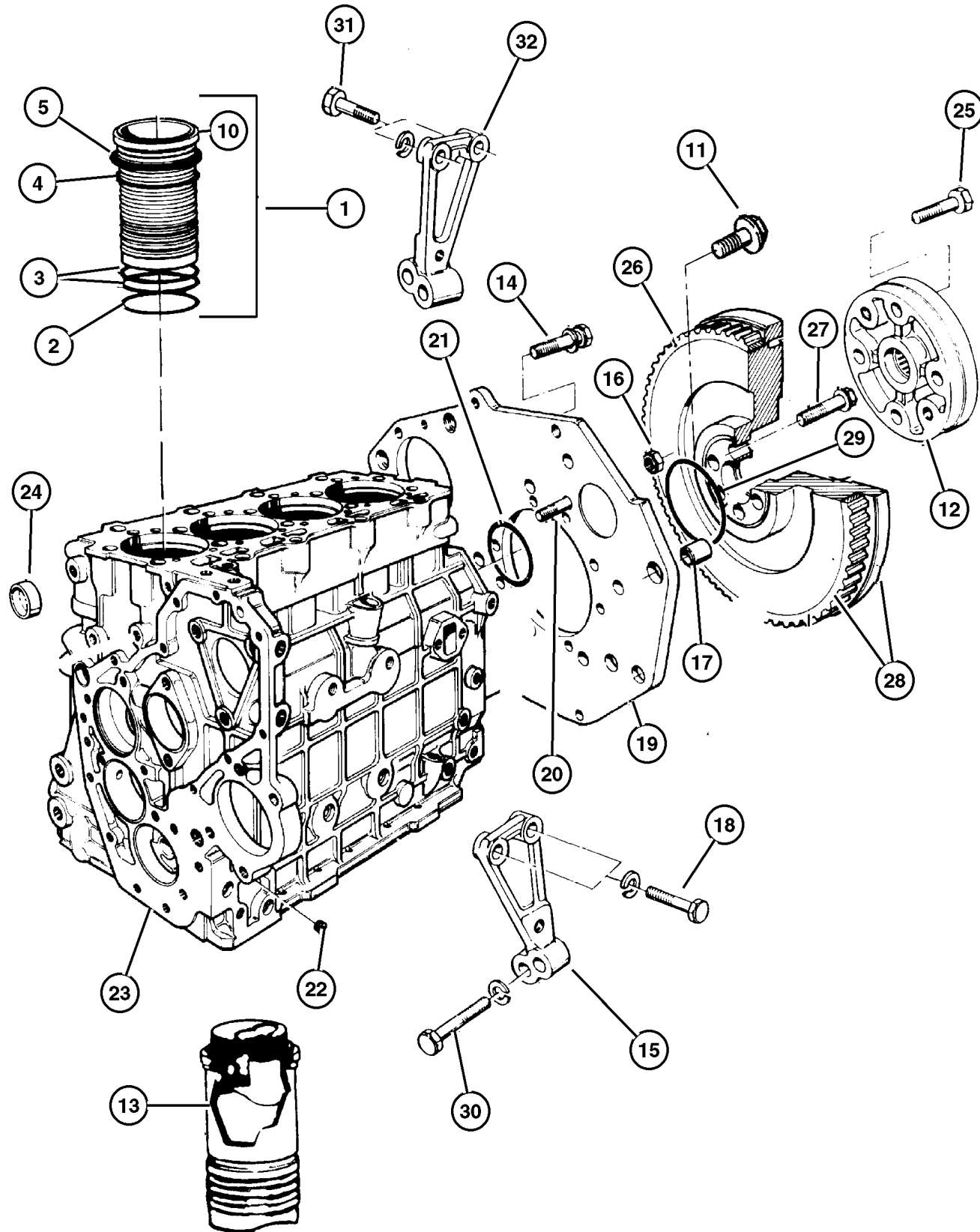


ITEM	PART NUMBER	QTY	LINE	ENGINE	TRANS	DESCRIPTION
NOTE: EN0=All 2.5L Diesel Engines are on The Truck						
1	4864 747	1		EN0		COVER, Cylinder Head
2	4863 770	4		EN0		PLUG, Dummy
3	4864 555	3		EN0		PLUG, Cylinder Block
4	4863 741	1		EN0		CAP, Oil Filler
5	4720 300	1		EN0		GASKET, Oil Filler Cap
6	5003 565AA	2		EN0		BOLT
7	4863 789AC	1		EN0		GASKET, Valve Cover
8	4882 407	2		EN0		CLAMP, Cylinder Head
9	4720 671AB	4		EN0		BOLT, Cylinder Head
10	4863 826	4		EN0		GLOW PLUG
11	4864 554	4		EN0		SEAL, Valve Cover Bolt
12	4863 752	2		EN0		SCREW
13	4720 233AB	4		EN0		BOLT, Cylinder Head
14	4864 038	5		EN0		CLAMP, Cylinder Head
15	4864 039	2		EN0		CLAMP, Cylinder Head
16	4720 235AC	10		EN0		BOLT, Cylinder Head
17	4864 040	3		EN0		CLAMP, Cylinder Head
18	4864 557	1		EN0		WIRING, Glow Plug
19	4883 416AB	4		EN0		HEAD, Cylinder
20						GASKET, Cylinder Head
	5014 059AA	1		EN0	1.42	
	5014 060AA	1		EN0	1.52	
	5014 061AA	1		EN0	1.62	
21	4864 745	1		EN0		BOLT
22	4864 746	1		EN0		BRACKET, Alternator Upper
23	4778 936	1		EN0		NUT, Suction Pipe Attaching
24	4720 362	1		EN0		GASKET, Engine Oil Indicator Pipe
25	4864 537	1		EN0		BOLT, 8Mx20

JEEP CHEROKEE (XJ)				
SERIES	LINE	BODY	ENGINE	TRANSMISSION
P = Limited	J = LHD (4WD)	74=4 Dr. (101.4 WB)	ENC, EN0 = 2.5L 4 Cyl Turbo	DDD = 5 Speed Manual
S = Limited	U = RHD (4WD)	72=2 Dr. (101.4 WB)	ERH, ER0 = 4.0L Power Tech	DGS = 4 Speed Auto AISIN
H = Sport	T = LHD (2WD)			DG0 = All Automatic Trans
L = SE	B = RHD (2WD)			DBB = All Manual Trans

AR = Use as required - = Non illustrated part # = New this model year

**Cylinder Block 2.5 Diesel (ENC)
Figure 2.5LD-310**



ITEM	PART NUMBER	QTY	LINE	ENGINE	TRANS	DESCRIPTION
Note: 3/4 Engine (Short Block) Use 5018720AA, Contains: Crank, Rods, Pistons, Rings, Cam Bearings, Tensioners, Snubber are on The Truck						
are on The Truck						
NOTE: EN0=All 2.5L Diesel Engines are on The Truck						
1	4723 118	4		EN0		SHIM KIT, Cylinder Liner
2	4720 625	4		EN0		O RING, Cylinder Liner
3	4720 627	8		EN0		O RING, Cylinder Liner
4	4720 626	4		EN0		O RING, Cylinder Liner
5	4720 620	4		EN0		SHIM, Cylinder Liner, 0.15mm
-6	4720 624	4		EN0		SHIM, Cylinder Liner, 0.17mm
-7	4720 621	24		EN0		SHIM, Cylinder Liner, 0.20mm
-8	4720 623	4		EN0		SHIM, Cylinder Liner, 0.23mm
-9	4720 622	4		EN0		SHIM, Cylinder Liner, 0.25mm
10	5014 328AA	4		EN0		LINER, Cylinder
11	4864 537	1		EN0		BOLT, 8Mx20
12	4778 808	1		EN0		HOUSING, Pilot Bearing
13	5014 329AA	4		EN0		LINER AND PISTON, Cylinder
14	5003 532AA	4		EN0		BOLT, Adaptor Plate
15	4778 806	1		EN0		STIFFENER, Flywheel Housing
16	4778 961	5		EN0		NUT
17	4797 758	2		EN0		DOWEL, Transmission Adapter
18	5003 533AA	2		EN0		BOLT, M10x45
19	4886 254AA	1		EN0		HOUSING, Flywheel
20	4720 677	6		EN0		STUD, Adaptor Plate
21	4863 833	1		EN0		O RING
22	4883 425AA	1		EN0		PLUG
23						BLOCK, Cylinder, (NOT SERVICED)
24	4778 887	1		EN0		PLUG, Cylinder Block Oil Hole
25	4864 534	4		EN0		BOLT, Adaptor Plate
26	4883 427AA	1		EN0		GEAR, Ring
27	4720 232AB	6		EN0		BOLT, Flywheel
28	4883 426AA	1		EN0		FLYWHEEL
29	4720 240	1		EN0		O RING, Flywheel To Crankshaft
30	5003 534AA	2		EN0		BOLT, M12x55
31	4897 253AA	2		EN0		BOLT, Hex Flange Head, M10x35
32	4796 394	1		EN0		STIFFENER, Flywheel Housing

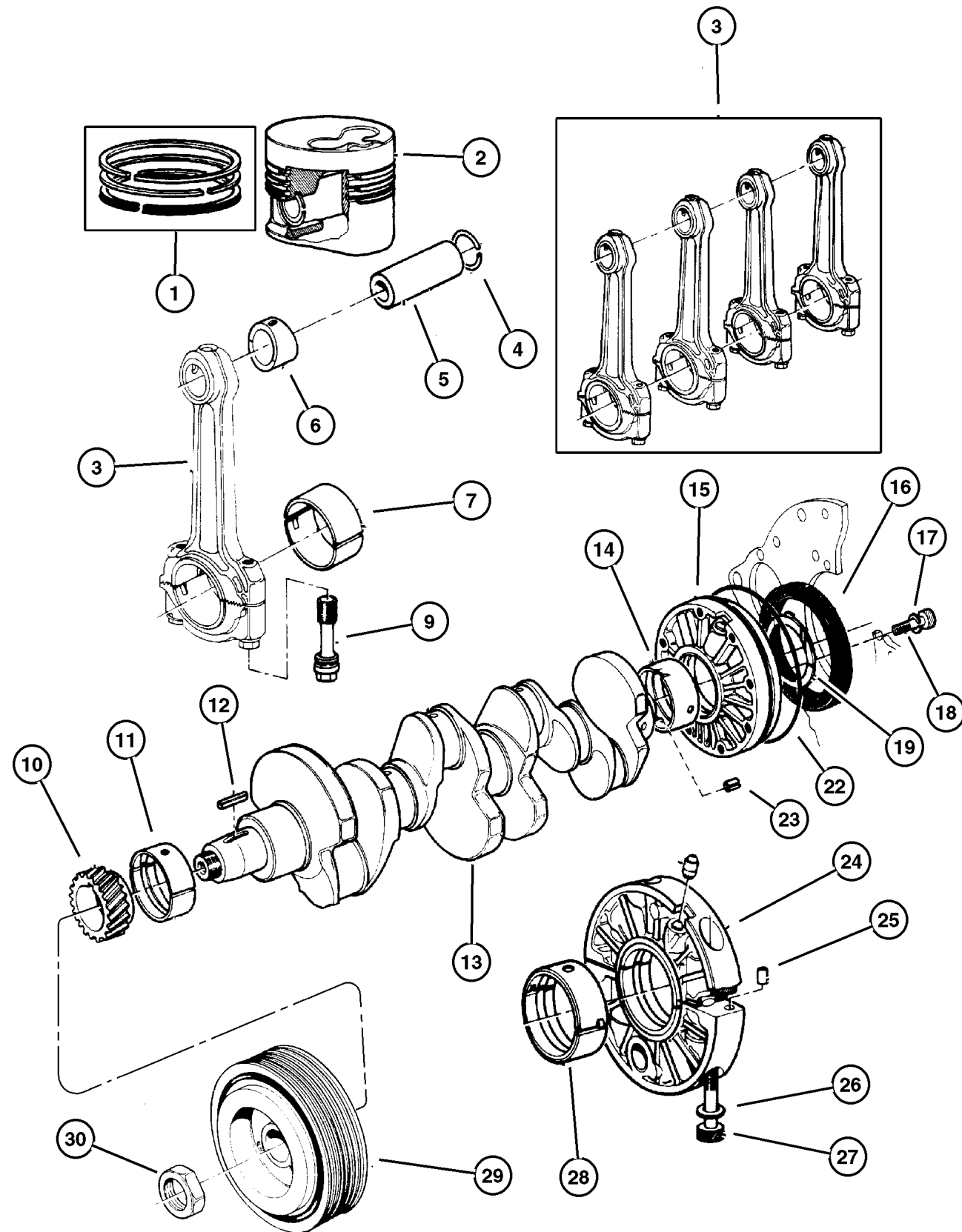
JEEP CHEROKEE (XJ)

SERIES	LINE	BODY	ENGINE	TRANSMISSION
P = Limited	J = LHD (4WD)	74=4 Dr. (101.4 WB)	ENC, EN0 = 2.5L 4 Cyl Turbo	DDD = 5 Speed Manual
S = Limited	U = RHD (4WD)	72=2 Dr. (101.4 WB)	ERH, ER0 = 4.0L Power Tech	DGS = 4 Speed Auto AISIN
H = Sport	T = LHD (2WD)			DG0 = All Automatic Trans
L = SE	B = RHD (2WD)			DBB = All Manual Trans

AR = Use as required - = Non illustrated part # = New this model year

May 2, 2002

**Crankshaft, Piston and Torque Converter 2.5 Diesel (ENC)
Figure 2.5LD-410**

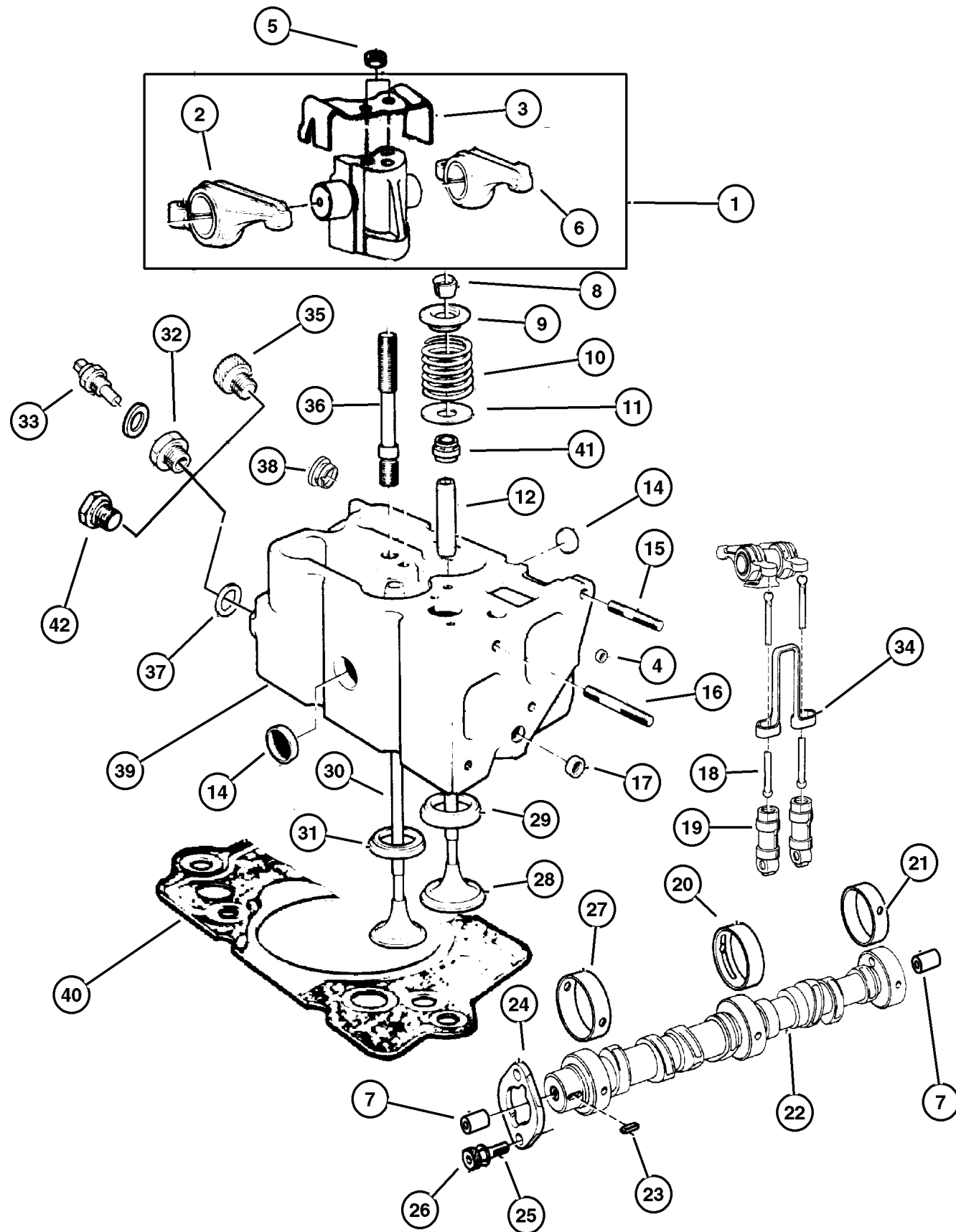


ITEM	PART NUMBER	QTY	LINE	ENGINE	TRANS	DESCRIPTION
NOTE: EN0=All 2.5L Diesel Engines are on The Truck						
1	5014 333AA	1		EN0		RING KIT, Piston, Standard
2	5014 332AA	1		EN0		PISTON
3	5014 330AA	1		EN0		ROD, Connecting, Four Rods In Kit
4	4720 099	8		EN0		RING, Piston Pin
5						PIN, Piston, Serviced in Piston, (NOT SERVICED)
6	5014 331AA	1		EN0		BUSHING, Connecting Rod
7	4720 877	4		EN0		BUSHING, Connecting Rod
-8	4720 883	AR		EN0		BEARING, Connecting Rod, .25 mm U/S, .25 MM U/S
9	4883 386AB	8		EN0		BOLT, Connecting Rod
10	4882 402	1		EN0		GEAR, Crankshaft
11	4720 885	1		EN0		BEARING, Crankshaft, Standard
12	5003 529AA	1		EN0		KEY, Crankshaft Sprocket
13	4864 538	1		EN0		CRANKSHAFT
14	4864 541	AR		EN0		BEARING, Crankshaft, .250mm
15	4864 676AB	1		EN0		HOUSING, Rear Bearing
16	5010 817AA	1		EN0		SEAL, Rear Main Crankshaft
17	4723 204	8		EN0		WASHER, Implement Attaching
18	4720 284	8		EN0		SCREW, Rear Crankshaft Support
19	4864 046	1		EN0		WASHER, Thrust
-20	4864 543	AR		EN0		WASHER, Thrust, 0.10 Oversize, 0.10 Oversized
-21	4864 544	1		EN0		WASHER, Thrust, 0.20 Oversize, 0.20 Oversized
22	4720 277	1		EN0		O RING, Crankshaft Rear Support
23	4723 158AB	1		EN0		PIN, Dowel
24	4863 711	3		EN0		HOUSING, Crankshaft Bearing
25	4720 241	2		EN0		DOWEL, Center Bearing Housing
26	4720 243	2		EN0		WASHER, Lock, M10
27	4720 242	6		EN0		SCREW
28						BEARING, Crankshaft
	4720 889	3		EN0		Standard
	4720 892	AR		EN0		.250mm
29	4886 225AA	1		EN0		DAMPER, Crankshaft
30	4720 273	1		EN0		NUT, Damper Pulley

JEEP CHEROKEE (XJ)				
SERIES	LINE	BODY	ENGINE	TRANSMISSION
P = Limited	J = LHD (4WD)	74=4 Dr. (101.4 WB)	ENC, EN0 = 2.5L 4 Cyl Turbo	DDD = 5 Speed Manual
S = Limited	U = RHD (4WD)	72=2 Dr. (101.4 WB)	ERH, ER0 = 4.0L Power Tech	DGS = 4 Speed Auto AISIN
H = Sport	T = LHD (2WD)			DG0 = All Automatic Trans
L = SE	B = RHD (2WD)			DBB = All Manual Trans

AR = Use as required - = Non illustrated part # = New this model year

Camshaft and Valves 2.5 Diesel (ENC) Figure 2.5LD-510



ITEM	PART NUMBER	QTY	LINE	ENGINE	TRANS	DESCRIPTION
NOTE: EN0=All 2.5L Diesel Engines are on The Truck						
1	4883 397AA	4		EN0		ROCKER ARM, Inlet and Exhaust Valve
2	4883 399AA	4		EN0		ROCKER ARM, Exhaust
3	4863 861	4		EN0		SPRING, Valve
4	4723 196AB	2		EN0		PLUG, Camshaft
5	4883 396AA	8		EN0		NUT
6	4883 398AA	4		EN0		ROCKER ARM, Intake
7	4723 196AB	2		EN0		PLUG, Camshaft
8	4720 155	16		EN0		LOCK, Valve Spring Retainer
9	4720 152	8		EN0		RETAINER, Valve Spring
10	4720 158	8		EN0		SPRING, Valve
11	4720 153	8		EN0		WASHER, Plain
12	4883 417AA	8		EN0		GUIDE, Intake/Exhaust Valve, Standard Size
-13	4883 820AA	AR		EN0		GUIDE, Intake/Exhaust Valve, 0.10mm Oversize
14	4723 228	8		EN0		PLUG, Cylinder Block Oil Hole
15	4723 241	3		EN0		STUD
16	4882 405	2		EN0		STUD
17	4723 210	4		EN0		PLUG, Cylinder Block Oil Hole
18	4883 395AA	8		EN0		PUSH ROD, Valve
19	4773 712	8		EN0		TAPPET, Valve
20	4720 220	1		EN0		BEARING, Camshaft
21	4720 219	1		EN0		BEARING, Camshaft
22	4882 399	1		EN0		CAMSHAFT, Engine
23	4720 137	1		EN0		KEY, Camshaft Sprocket
24	4723 163	1		EN0		PLATE, Camshaft Thrust
25	4723 165	2		EN0		WASHER, P Clip
26	4720 135	5		EN0		BOLT, Hex Head, M8x18
27	5010 274AA	1		EN0		BEARING, Camshaft
28	4720 146	4		EN0		VALVE, Intake, Standard
29	4723 245	4		EN0		SEAT, Intake Valve, 0.30mm Oversize
30	4720 148	4		EN0		VALVE, Exhaust, Standard
31	4723 244	4		EN0		SEAT, Exhaust Valve, 0.30mm Oversize
32	5014 065AA	1		EN0		ADAPTER, Temperature Sensor
33	5014 067AA	2		EN0		SENSOR, Temperature Sending Unit
34	4773 701	4		EN0		BRACKET, Antirotation
35	4720 159	1		EN0		PLUG, Cylinder Block Oil Hole
36	4897 831AA	8		EN0		STUD
37	4723 246	4		EN0		WASHER, Plain
38	4863 769	4		EN0		PLUG
39	4883 416AB	4		EN0		HEAD, Cylinder
40	5014 059AA	1		EN0		GASKET, Cylinder Head

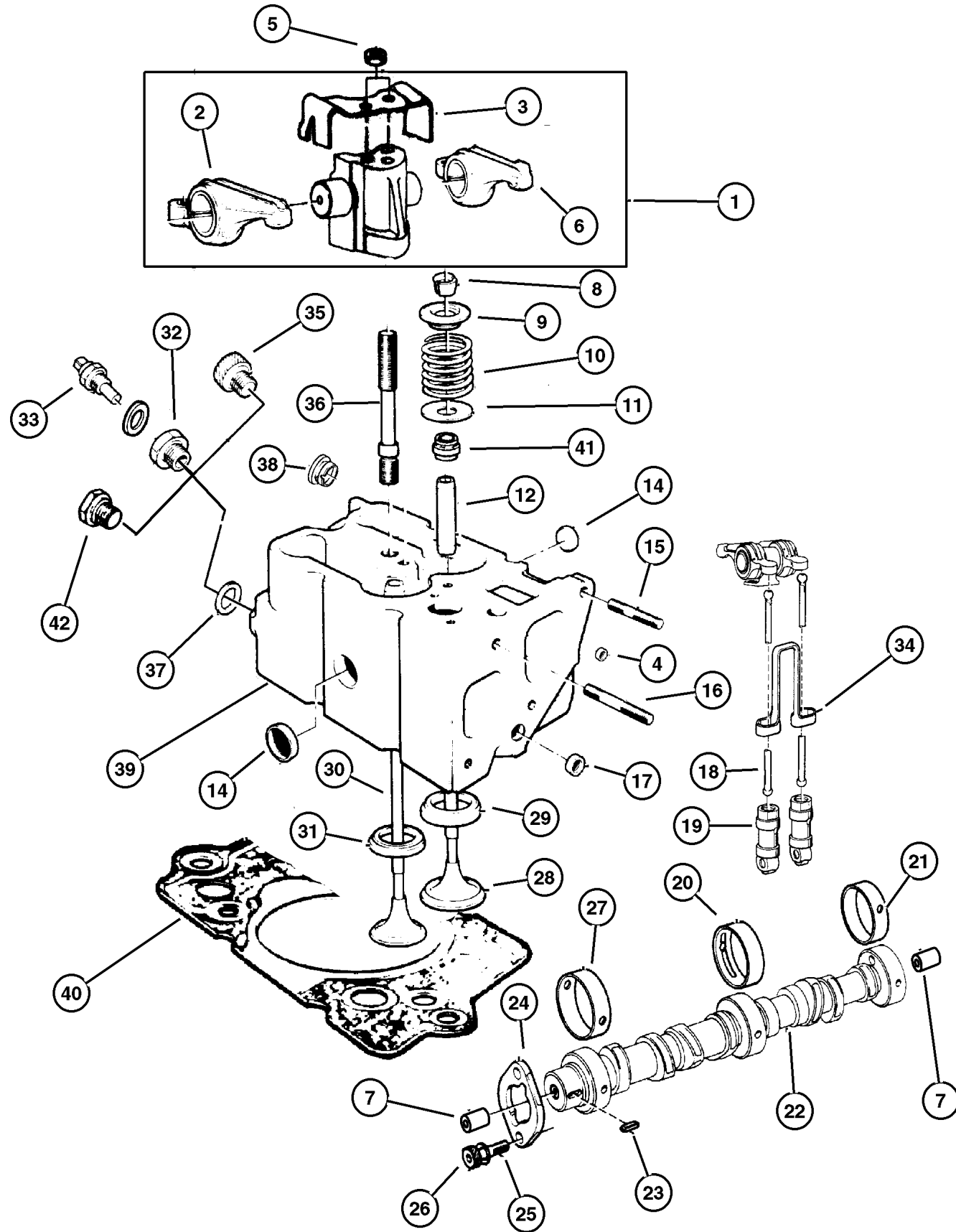
JEEP CHEROKEE (XJ)

SERIES	LINE	BODY	ENGINE	TRANSMISSION
P = Limited	J = LHD (4WD)	74=4 Dr. (101.4 WB)	ENC, EN0 = 2.5L 4 Cyl Turbo	DDD = 5 Speed Manual
S = Limited	U = RHD (4WD)	72=2 Dr. (101.4 WB)	ERH, ER0 = 4.0L Power Tech	DGS = 4 Speed Auto AISIN
H = Sport	T = LHD (2WD)			DG0 = All Automatic Trans
L = SE	B = RHD (2WD)			DBB = All Manual Trans

AR = Use as required - = Non illustrated part # = New this model year

May 2, 2002

**Camshaft and Valves 2.5 Diesel (ENC)
Figure 2.5LD-510**



ITEM	PART NUMBER	QTY	LINE	ENGINE	TRANS	DESCRIPTION
	5014 060AA	1		EN0	1.52	
	5014 061AA	1		EN0	1.62	
41	4883 821AA	8		EN0		SEAL, Valve Guide
42	4864 606	1		EN0		PLUG

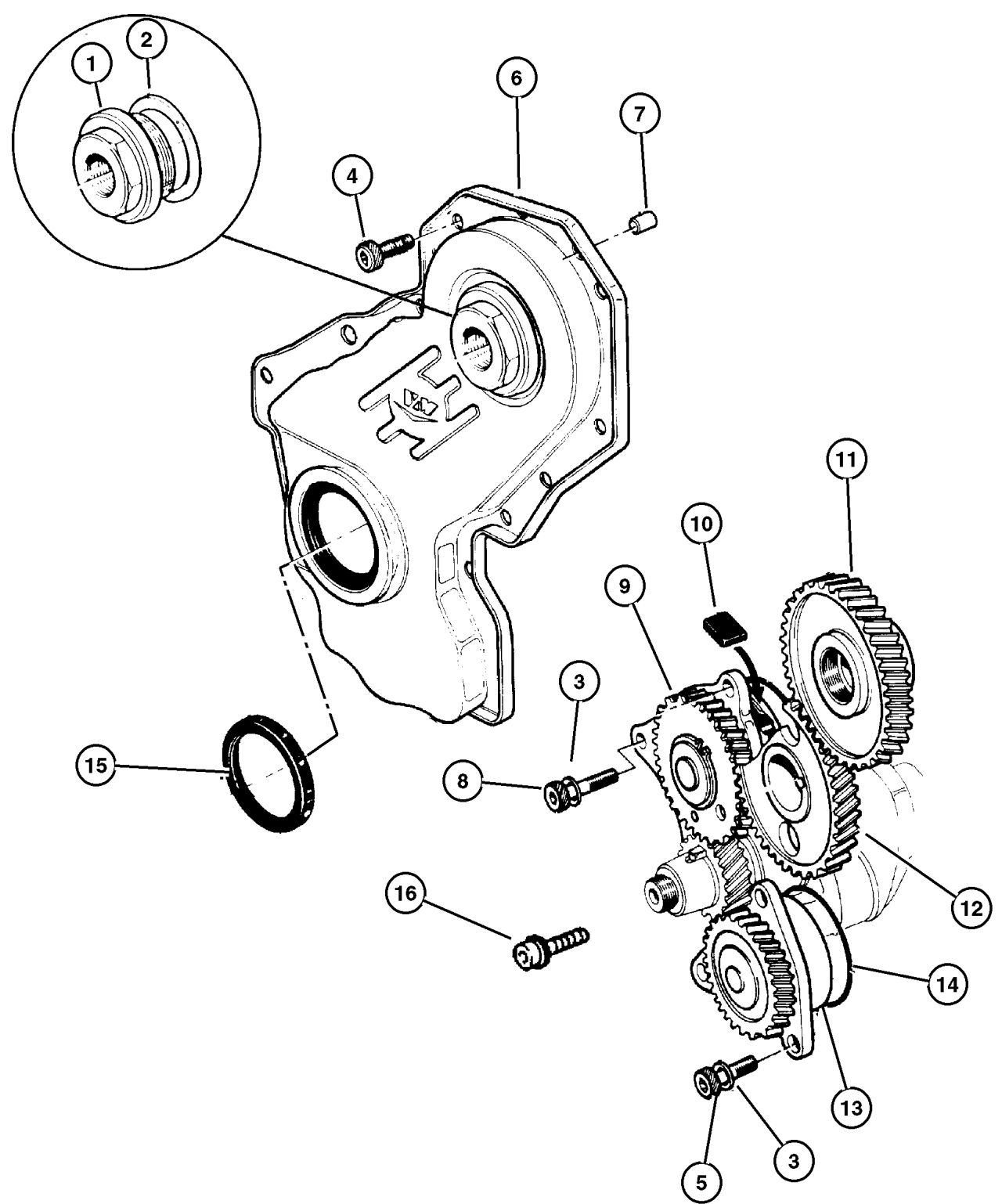
JEEP CHEROKEE (XJ)
 SERIES LINE BODY ENGINE TRANSMISSION
 P = Limited J = LHD (4WD) 74=4 Dr. (101.4 WB) ENC, EN0 = 2.5L 4 Cyl Turbo DDD = 5 Speed Manual
 S = Limited U = RHD (4WD) 72=2 Dr. (101.4 WB) ERH, ER0 = 4.0L Power Tech DGS = 4 Speed Auto AISIN
 H = Sport T = LHD (2WD) DG0 = All Automatic Trans
 L = SE B = RHD (2WD) DBB = All Manual Trans

AR = Use as required - = Non illustrated part # = New this model year

May 2, 2002

**Timing Cover And Related 2.5 Diesel (ENC)
Figure 2.5LD-610**

ITEM	PART NUMBER	QTY	LINE	ENGINE	TRANS	DESCRIPTION
NOTE: EN0=All 2.5L Diesel Engines are on The Truck						
1	4778 839	1		EN0		COVER, Timing Belt
2	4720 290	1		EN0		GASKET, Engine Oil Plug
3	4720 565	6		EN0		WASHER, Tube Bolt
4	5003 551AA	2		EN0		BOLT, M6x10
5	4720 135	5		EN0		BOLT, Hex Head, M8x18
6	5010 853AA	1		EN0		COVER, Timing Belt
7	4720 304	2		EN0		DOWEL, Front Cover
8	4720 136	3		EN0		BOLT, Hex Head, M8x20
9	5003 716AB	1		EN0		PUMP, Vacuum
10	5010 821AA	3		EN0		INSERT, Vacuum Pump Rotor
11	4882 412	1		EN0		GEAR, Injection Pump
12	4882 403	1		EN0		GEAR, Camshaft
13	4723 233	1		EN0		PUMP, Engine Oil
14	4720 239	1		EN0		O RING, Adaptor Plate
15	5010 856AA	1		EN0		SEAL, Timing Belt Cover
16	5003 539AA	1		EN0		BOLT

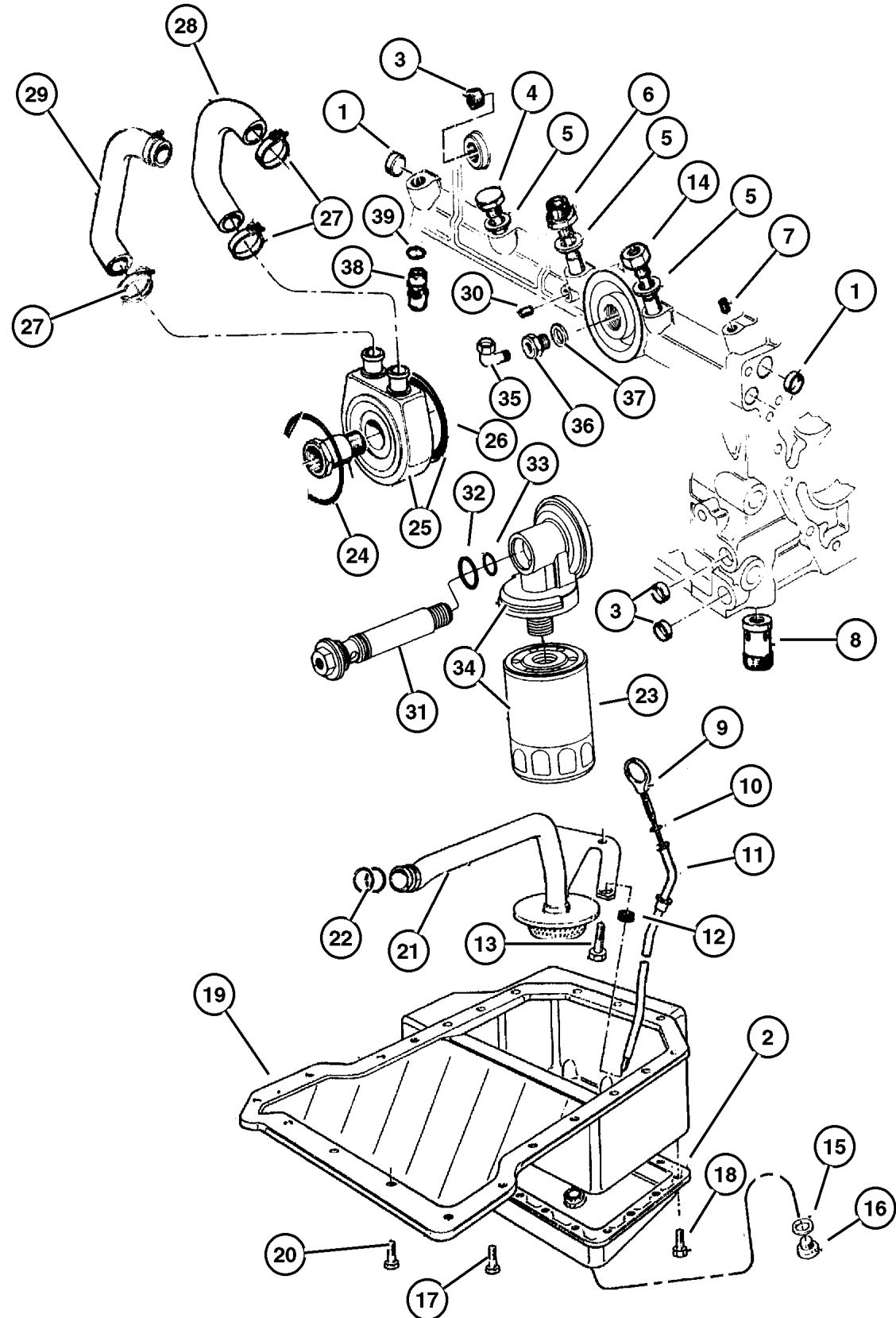


JEEP CHEROKEE (XJ)				
SERIES	LINE	BODY	ENGINE	TRANSMISSION
P = Limited	J = LHD (4WD)	74=4 Dr. (101.4 WB)	ENC, EN0 = 2.5L 4 Cyl Turbo	DDD = 5 Speed Manual
S = Limited	U = RHD (4WD)	72=2 Dr. (101.4 WB)	ERH, ER0 = 4.0L Power Tech	DGS = 4 Speed Auto AISIN
H = Sport	T = LHD (2WD)			DG0 = All Automatic Trans
L = SE	B = RHD (2WD)			DBB = All Manual Trans

AR = Use as required - = Non illustrated part # = New this model year

May 2, 2002

**Engine Oiling 2.5 Diesel (ENC)
Figure 2.5LD-710**



ITEM	PART NUMBER	QTY	LINE	ENGINE	TRANS	DESCRIPTION
NOTE: EN0=All 2.5L Diesel Engines are on The Truck						
1	4723 211	2		EN0		PLUG, Cylinder Block Oil Hole
2	4778 933	1		EN0		COVER, Oil Pump
3	4864 753	3		EN0		PLUG
4	4720 726	2		EN0		BOLT, Oil Feed To Turbo Adapter
5	4720 704	3		EN0		WASHER, Oil Pressure Transducer
6	4720 709	1		EN0		BOLT, Turbo Oil Feed Adapter
7	4883 424AA	2		EN0		PLUG, Cylinder Block
8	5003 543AA	1		EN0		VALVE, Oil Pressure Relief
9	4778 947	1		EN0		INDICATOR, Engine Oil Level
10	4720 373	1		EN0		O RING, Engine Oil Indicator
11	4882 408	1		EN0		TUBE, Oil Gauge
12	4720 362	1		EN0		GASKET, Engine Oil Indicator Pipe
13	5003 551AA	1		EN0		BOLT, M6x10
14	4720 726	2		EN0		BOLT, Oil Feed To Turbo Adapter
15	4720 353	1		EN0		WASHER, Plain
16	4720 352	1		EN0		PLUG, Oil Drain
17	5003 551AA	1		EN0		BOLT, M6x10
18	5003 557AA	13		EN0		SCREW
19	4778 935	1		EN0		PAN, Engine Oil
20	4864 551	20		EN0		SCREW
21	4778 937	1		EN0		PICKUP, Engine Oil
22	4720 374	2		EN0		O RING, Oil Suction Tube
23	5003 558AA	1		EN0		FILTER, Engine Oil
24	4720 375	1		EN0		O RING, Oil Filter Base
25	4720 366	1		EN0		COOLER, Engine Oil
26	4723 217	1		EN0		O RING, Oil Cooler
27	4883 924AA	4		EN0		CLAMP, Heater Hose
28	4864 578	1		EN0		HOSE, Oil Cooler
29	4778 988	1		EN0		HOSE, Engine Oil Cooler
30	4883 424AA	2		EN0		PLUG, Cylinder Block
31	5003 559AA	1		EN0		ADAPTER, Oil Pressure Sender
32	4723 334	1		EN0		GASKET, Valve
33	4886 305AA	1		EN0		O RING, Oil Filter Adapter
34	5010 893AA	1		EN0		BASE, Oil Filter
35	5014 070AA	1		EN0		ADAPTER, Oil Pressure Sender
36	5003 544AA	1		EN0		ADAPTER, Oil Pressure Sender
37	4797 784	1		EN0		WASHER, Plain, 16.2x19.9x1.5
38	4864 041AB	4		EN0		JET, Valve Body
39	4864 689	4		EN0		O RING
40	4882 620	4		EN0		SCREW

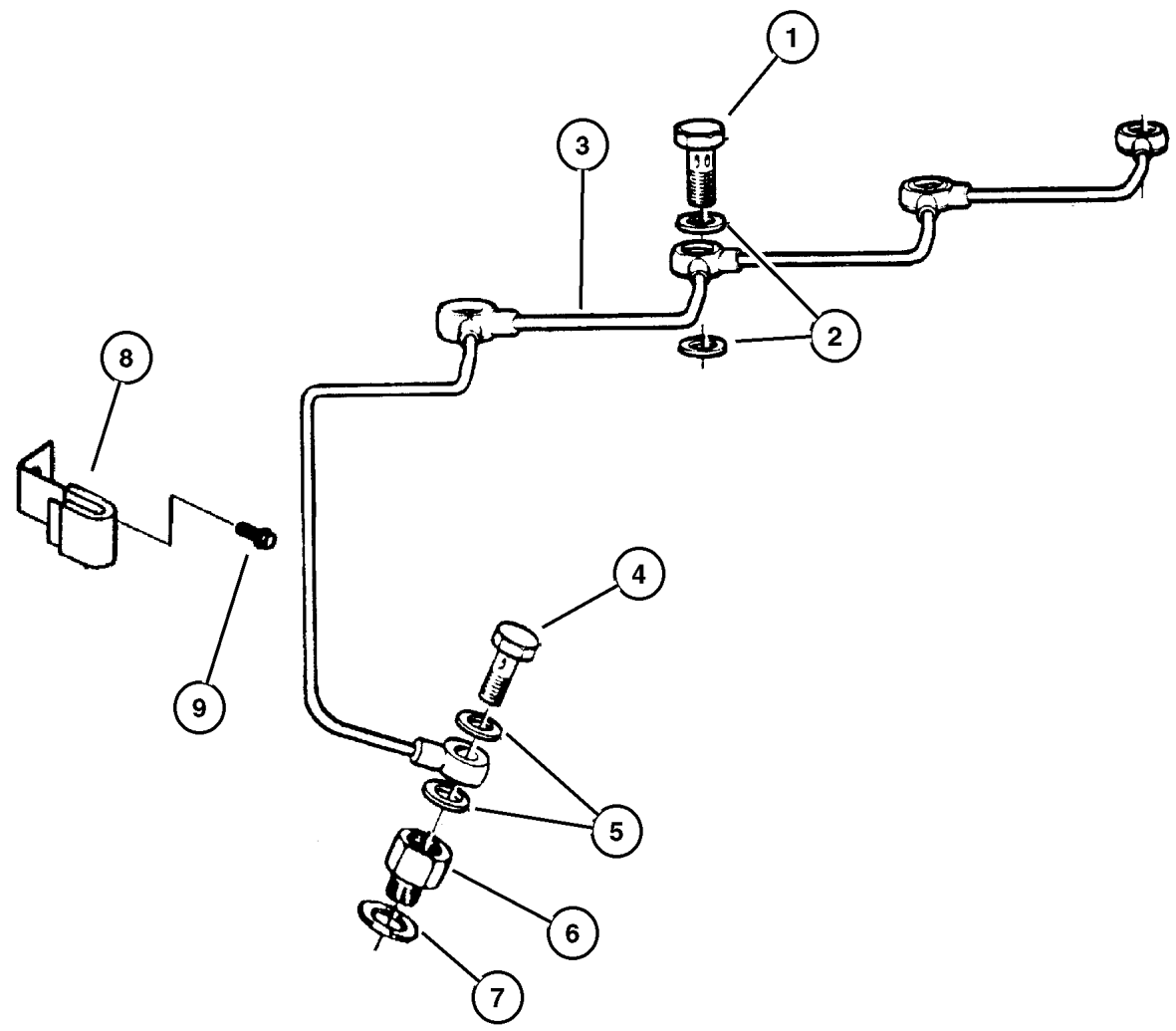
JEEP CHEROKEE (XJ)

SERIES	LINE	BODY	ENGINE	TRANSMISSION
P = Limited	J = LHD (4WD)	74=4 Dr. (101.4 WB)	ENC, EN0 = 2.5L 4 Cyl Turbo	DDD = 5 Speed Manual
S = Limited	U = RHD (4WD)	72=2 Dr. (101.4 WB)	ERH, ER0 = 4.0L Power Tech	DGS = 4 Speed Auto AISIN
H = Sport	T = LHD (2WD)			DG0 = All Automatic Trans
L = SE	B = RHD (2WD)			DBB = All Manual Trans

AR = Use as required - = Non illustrated part # = New this model year

May 2, 2002

**Oil Lines 2.5 Diesel (ENC)
Figure 2.5LD-720**



ITEM	PART NUMBER	QTY	LINE	ENGINE	TRANS	DESCRIPTION
------	-------------	-----	------	--------	-------	-------------

NOTE: EN0=All 2.5L Diesel Engines are on The Truck

1	4720 358	1		EN0		BOLT, Banjo
2	4720 554	2		EN0		WASHER, Banjo
3	5015 284AA	1		EN0		TUBE PACKAGE, Oil Feed
4	4720 358	1		EN0		BOLT, Banjo
5	4720 554	2		EN0		WASHER, Banjo
6	4863 777	1		EN0		UNION
7	4720 704	1		EN0		WASHER, Oil Pressure Transduser
8	5013 828AA	1		EN0		BRACKET, Tube
9	5014 071AA	1		EN0		BOLT, M5x10

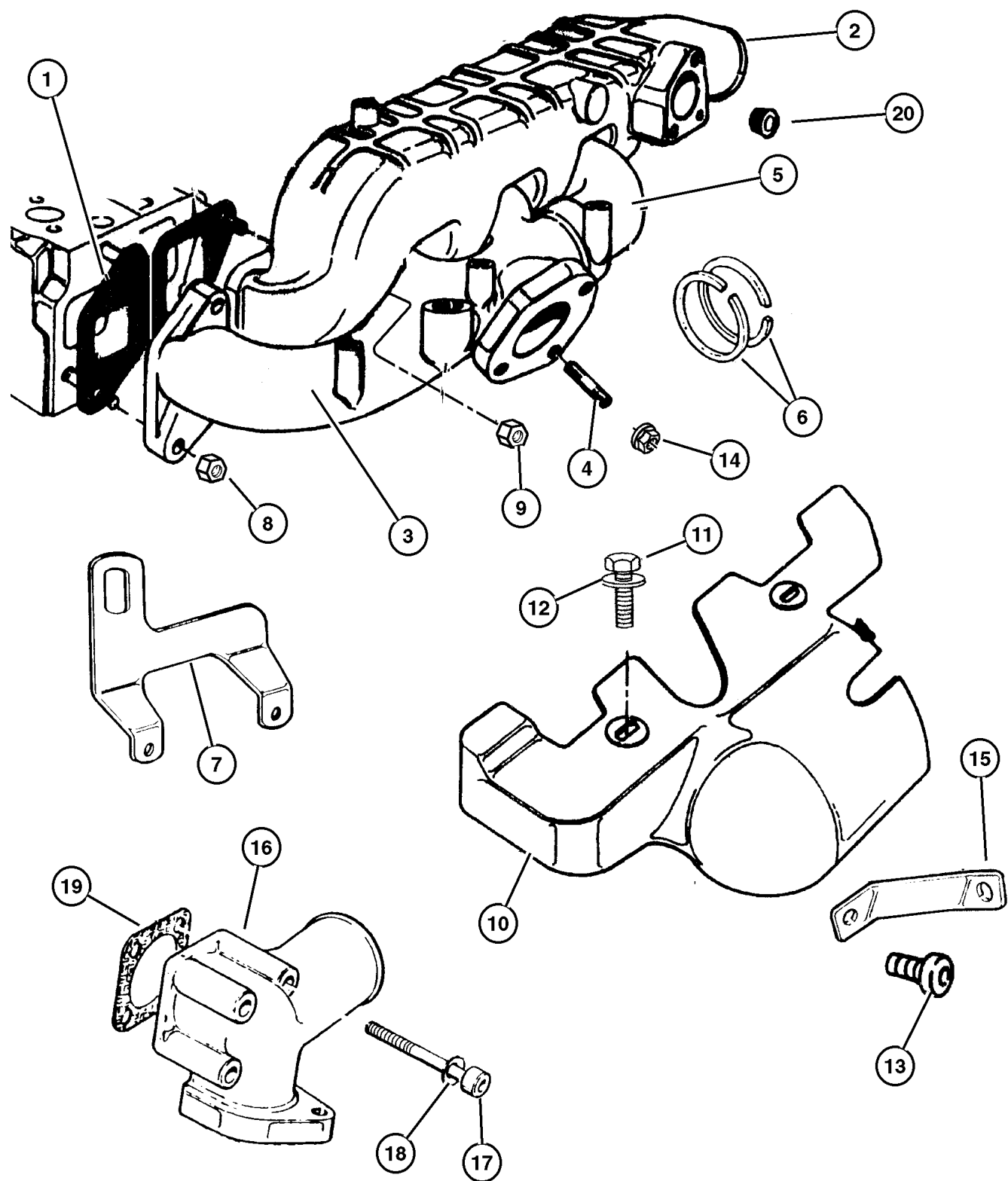
JEEP CHEROKEE (XJ)

SERIES	LINE	BODY	ENGINE	TRANSMISSION
P = Limited	J = LHD (4WD)	74=4 Dr. (101.4 WB)	ENC, EN0 = 2.5L 4 Cyl Turbo	DDD = 5 Speed Manual
S = Limited	U = RHD (4WD)	72=2 Dr. (101.4 WB)	ERH, ER0 = 4.0L Power Tech	DGS = 4 Speed Auto AISIN
H = Sport	T = LHD (2WD)			DG0 = All Automatic Trans
L = SE	B = RHD (2WD)			DBB = All Manual Trans

AR = Use as required - = Non illustrated part # = New this model year

May 2, 2002

**Manifold, Intake and Exhaust 2.5 Diesel (ENC)
Figure 2.5LD-810**



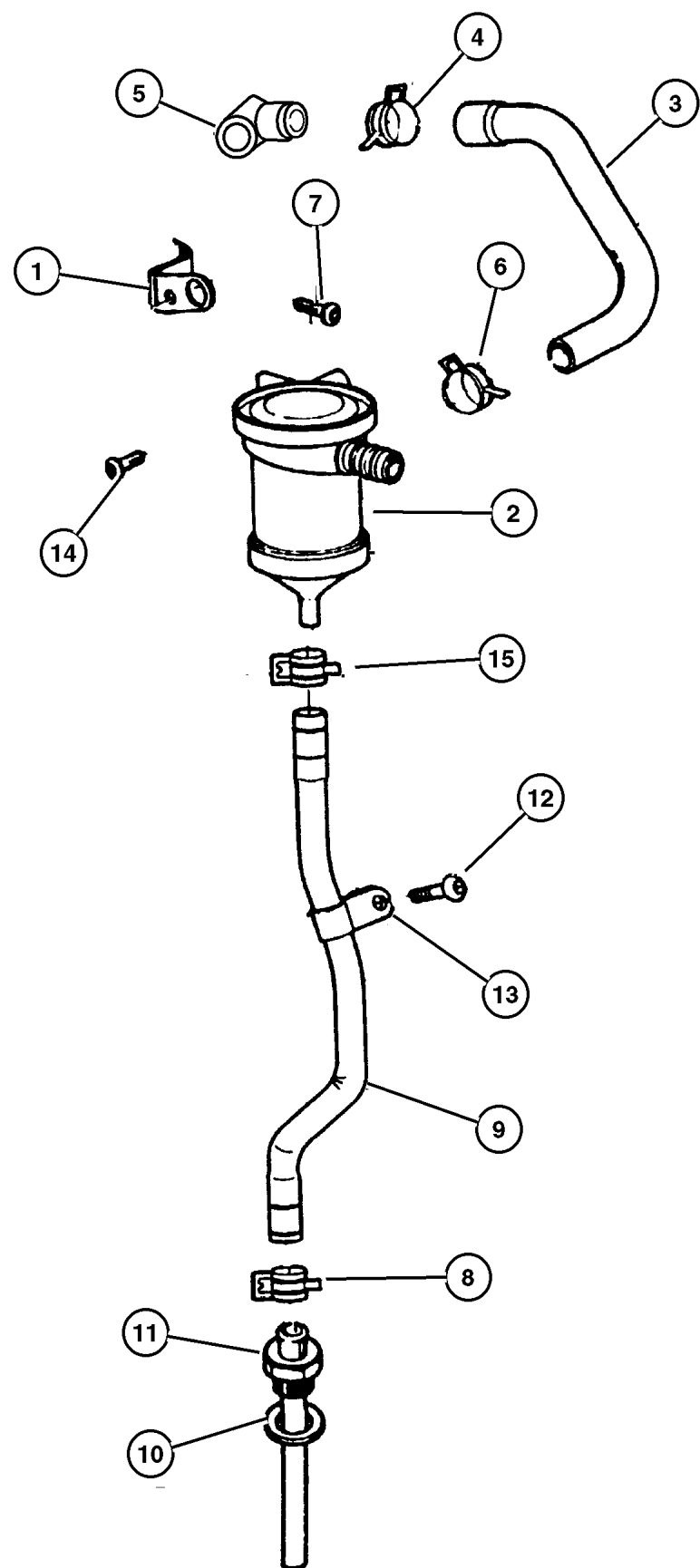
ITEM	PART NUMBER	QTY	LINE	ENGINE	TRANS	DESCRIPTION
NOTE: EN0=All 2.5L Diesel Engines are on The Truck						
1	5003 546AA	1		EN0		GASKET, Intake/Exhaust Manifold
2	5014 064AA	1		EN0		MANIFOLD, Intake
3	4778 957	1		EN0		MANIFOLD, Exhaust
4	4882 606	3		EN0		STUD, Turbo Elbow
5	4778 960	1		EN0		MANIFOLD, Exhaust
6	4720 214	2		EN0		CIRCLIP, Exhaust Manifold
7	5014 073AA	1		EN0		BRACKET, Engine Lift
8	4882 611	8		EN0		NUT, Lock
9	4778 961	5		EN0		NUT
10	4864 752	1		EN0		SHIELD, Heat
11	4728 183	2		EN0		BOLT, Exhaust Shield
12	4723 279	2		EN0		WASHER, Starter
13	5003 551AA	1		EN0		BOLT, M6x10
14	4882 610	3		EN0		NUT, Lock
15	4796 396	1		EN0		BRACKET, Heat Shield
16	4778 963	1		EN0		ELBOW, Intake Manifold Vacuum
17	4886 291AA	4		EN0		BOLT, Water Manifold
18	4723 204	4		EN0		WASHER, Implement Attaching
19	4720 207	1		EN0		GASKET, Intake Connector
20	4883 425AA	1		EN0		PLUG

JEEP CHEROKEE (XJ)				
SERIES	LINE	BODY	ENGINE	TRANSMISSION
P = Limited	J = LHD (4WD)	74=4 Dr. (101.4 WB)	ENC, EN0 = 2.5L 4 Cyl Turbo	DDD = 5 Speed Manual
S = Limited	U = RHD (4WD)	72=2 Dr. (101.4 WB)	ERH, ER0 = 4.0L Power Tech	DGS = 4 Speed Auto AISIN
H = Sport	T = LHD (2WD)			DG0 = All Automatic Trans
L = SE	B = RHD (2WD)			DBB = All Manual Trans

AR = Use as required - = Non illustrated part # = New this model year

May 2, 2002

**Crankcase Ventilation 2.5 Diesel (ENC)
Figure 2.5LD-910**



ITEM	PART NUMBER	QTY	LINE	ENGINE	TRANS	DESCRIPTION
NOTE: EN0=All 2.5L Diesel Engines are on The Truck						
1	4883 452AA	1		EN0		BRACKET, Oil Seperator, Engine
2	4863 796	1		EN0		SEPERATOR, Oil
3	4886 290AA	1		EN0		PIPE, Oil Separator
4	4886 044AA	1		EN0		CLAMP, Heater Hose
5	4720 691	1		EN0		ADAPTER, Crankcase Vent
6	4883 924AA	1		EN0		CLAMP, Heater Hose
7	5003 551AA	1		EN0		BOLT, M6x10
8	5003 552AA	1		EN0		CLAMP, Oil Seperator Hose
9	4883 454AA	1		EN0		TUBE, Oil Separator Drain
10	4720 704	1		EN0		WASHER, Oil Pressure Transduser
11	4778 942	1		EN0		ADAPTER, Oil Drain Pipe
12	5003 554AA	1		EN0		SCREW
13	4886 223AA	1		EN0		P CLIP
14	5003 553AA	1		EN0		SCREW
15	4886 051AA	1		EN0		CLAMP, Heater Hose

JEEP CHEROKEE (XJ)				
SERIES	LINE	BODY	ENGINE	TRANSMISSION
P = Limited	J = LHD (4WD)	74=4 Dr. (101.4 WB)	ENC, EN0 = 2.5L 4 Cyl Turbo	DDD = 5 Speed Manual
S = Limited	U = RHD (4WD)	72=2 Dr. (101.4 WB)	ERH, ER0 = 4.0L Power Tech	DGS = 4 Speed Auto AISIN
H = Sport	T = LHD (2WD)			DG0 = All Automatic Trans
L = SE	B = RHD (2WD)			DBB = All Manual Trans

AR = Use as required - = Non illustrated part # = New this model year

Group – 011

Exhaust

GROUP 11 - Exhaust

Illustration Title

Group-Fig. No.

Exhaust System

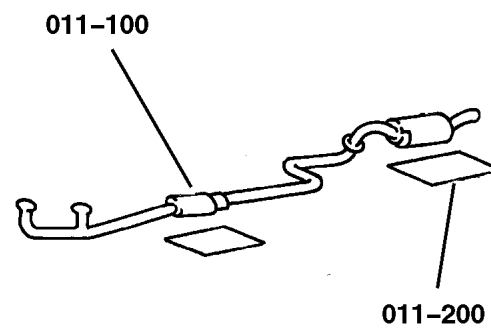
Exhaust System 4.0 (ERH) Fig. 011-110

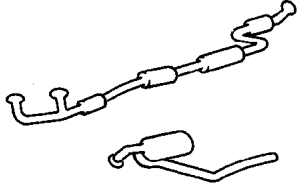
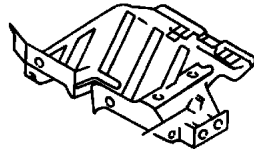
Exhaust System 2.5 Diesel (ENC) 1 of 2 Fig. 011-120

Exhaust System 2.5 Deisel (ENC) 2 of 2 Fig. 011-125

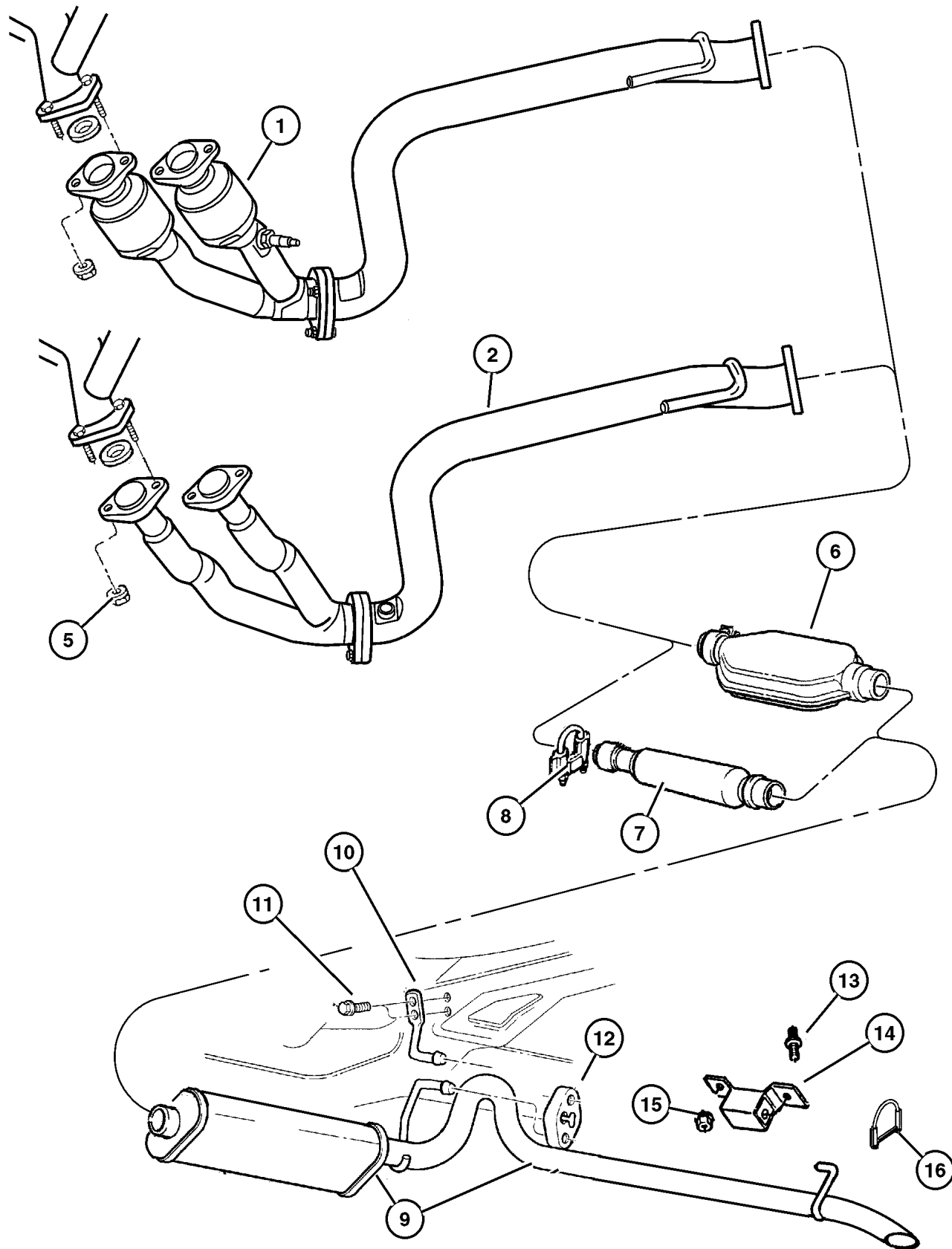
Heat Shields

Heat Shields Fig. 011-210



<p>011-100 Exhaust System</p> 	<p>011-200 Heat Shields</p> 		
--	--	--	--

**Exhaust System 4.0 (ERH)
Figure 011-110**



ITEM	PART NUMBER	QTY	LINE	SERIES	BODY	ENGINE	TRANS	DESCRIPTION
Note: Sales Codes: are on The Truck								
EN0 = All Turbo Diesel Engines are on The Truck								
EP0 = All 2.5L 4 Cyl Gas Engines are on The Truck								
ER0 = All 4.0L 6 Cyl Gas Engines are on The Truck								
NAS= U.S. 50 States Emissions are on The Truck								
NA3=European III Emissions are on The Truck								
NAB=Leaded Fuel are on The Truck								
1	52101 112AD	1				ER0		PIPE AND CONVERTER, Exhaust, To Manifold, U.S. 50 States
2	52101 193AH	1				ER0		PIPE, Exhaust, Europe and Leaded Fuel
-3	52019 480AH	1				ER0		CONVERTER, Catalytic, Europe and Leaded Fuel
-4								SEAL, Exhaust, (NOT REQUIRED)
5	6506 546AA	2				ER0		NUT, Exhaust Manifold
6	52101 116AC	1				ER0		CONVERTER, Catalytic, U.S. 50 States
7	52019 500AD	1				EP0, ER0		RESONATOR, Exhaust, S/C NAB Leaded Fuel
8	52018 424AB	1						CLAMP, Exhaust
9	52101 262AG	1				ER0		MUFFLER AND TAILPIPE, Exhaust, U.S. 50 States
10	5200 2403	1						HANGER, Exhaust
11	J400 1933	2						SCREW, Hex Flange Head, .312-x18x.875
12	5200 1759	1						INSULATOR, Exhaust
13	6505 137AA	2						STUD, M12x1.75x72.00
14	52101 097AC	1						HANGER, Tailpipe
15	6100 055	2						NUT AND WASHER, Hex Nut-Coned Washer, M12 x 1.75
16	52002 144AB	1				EP0, ER0		CLAMP, Exhaust
-17	4616 707	1				EP0, ER0		GASKET, Exhaust, Frt. Pipe to Coverter
-18	6100 517	3						NUT, Hex Flange Lock, M8 Phosphate, Frt Pipe to Converter
-19	6502 696	2						NUT, Hex Flange Lock, M10x1.5, Conerter to Rear Pipe
-20	6505 754AA	4				ER0		SCREW, Hex Head, Front Pipe to Manifold

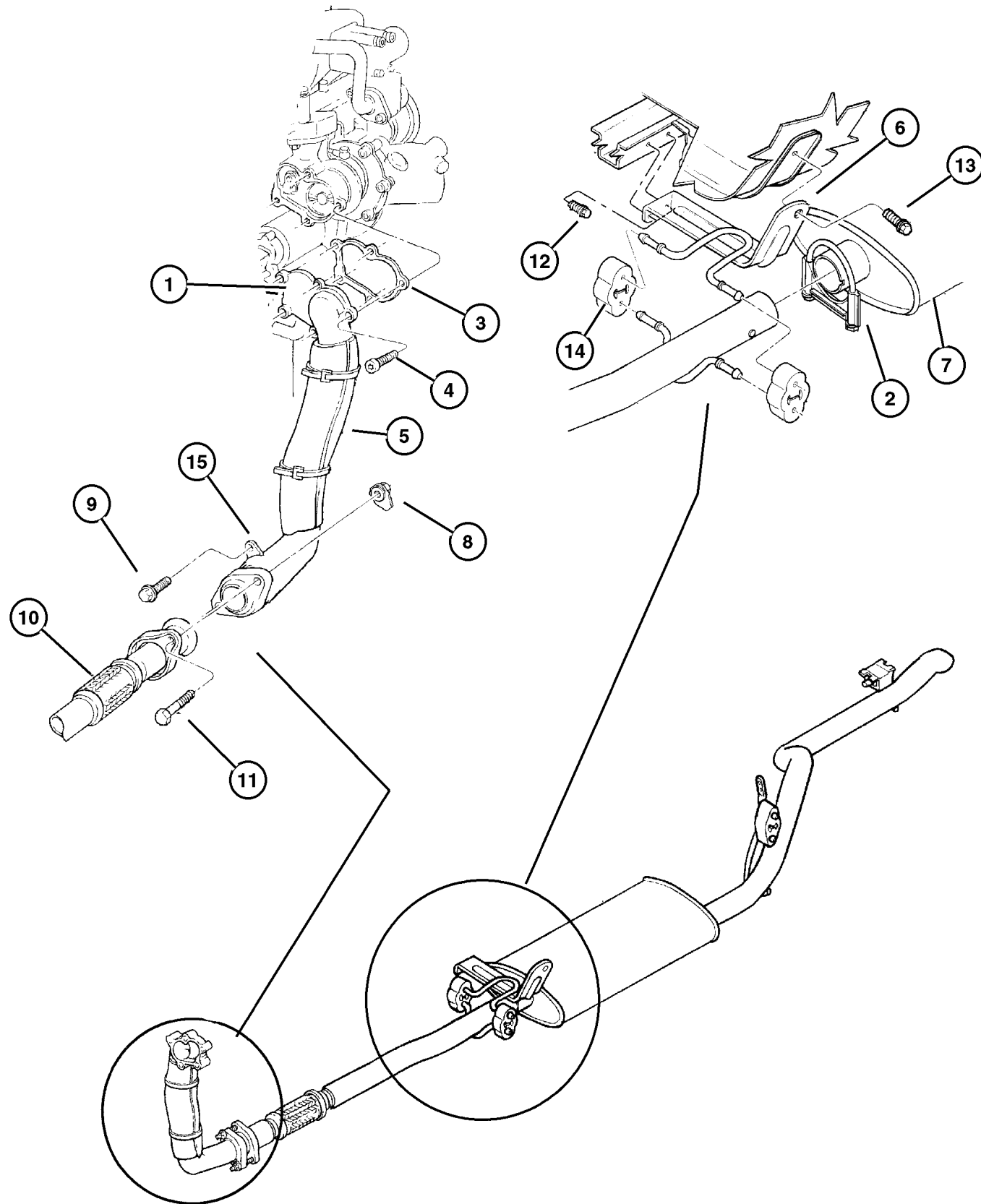
JEEP CHEROKEE (XJ)

SERIES	LINE	BODY	ENGINE	TRANSMISSION
P = Limited	J = LHD (4WD)	74=4 Dr. (101.4 WB)	ENC, EN0 = 2.5L 4 Cyl Turbo	DDD = 5 Speed Manual
S = Limited	U = RHD (4WD)	72=2 Dr. (101.4 WB)	ERH, ER0 = 4.0L Power Tech	DGS = 4 Speed Auto AISIN
H = Sport	T = LHD (2WD)			DG0 = All Automatic Trans
L = SE	B = RHD (2WD)			DBB = All Manual Trans

AR = Use as required - = Non illustrated part # = New this model year

May 2, 2002

Exhaust System 2.5 Diesel (ENC) 1of 2
Figure 011-120



ITEM	PART NUMBER	QTY	LINE	SERIES	BODY	ENGINE	TRANS	DESCRIPTION
Note: Sales Codes: are on The Truck								
ENC = 2.5L 4 Cyl Turbo Diesel Engine are on The Truck								
EN0 = All Turbo Diesel Engines are on The Truck								
EP0 = All 2.5L 4 Cyl Gas Engines are on The Truck								
ER0 = All 4.0L 6 Cyl Gas Engines are on The Truck								
1	52019 388AB	1				ENC		ADAPTER, Turbo
2	52002 144AB	1				EP0, ER0		CLAMP, Exhaust, S/C ENC
3	5201 8875	1				EN0		GASKET, Turbo Adapter
4	6504 070	5				ENC		SCREW, M8-1.25
5	5207 9405	1				EN0		SHIELD, Heat
6	5210 1056	1				EN0		HANGER, Muffler
7	52101 063AF	1				EN0		MUFFLER AND TAILPIPE, Exhaust
8	6031 959	3				EN0		NUT, Hex Flange Lock
9	J400 1933	2						SCREW, Hex Flange Head, .312-x18x. 875
10	52101 111AD	1				EN0		PIPE, Exhaust
11	6034 501	3				EN0		SCREW, Hex Head Header Point, .375- 16x1.375
12								SCREW, Self Tapping, M6x1x15, (NOT SERVICED)
13	6100 574	1				EN0		BOLT AND CONED WASHER, Hex Head, M8x20x17
14	5201 7607	2				EN0		INSULATOR, Exhaust
15	52018 818AC	1				EN0		FLANGE, Exhaust Pipe

JEEP CHEROKEE (XJ)				
SERIES	LINE	BODY	ENGINE	TRANSMISSION
P = Limited	J = LHD (4WD)	74=4 Dr. (101.4 WB)	ENC, EN0 = 2.5L 4 Cyl Turbo	DDD = 5 Speed Manual
S = Limited	U = RHD (4WD)	72=2 Dr. (101.4 WB)	ERH, ER0 = 4.0L Power Tech	DGS = 4 Speed Auto AISIN
H = Sport	T = LHD (2WD)			DG0 = All Automatic Trans
L = SE	B = RHD (2WD)			DBB = All Manual Trans

AR = Use as required - = Non illustrated part # = New this model year

May 2, 2002

Exhaust System 2.5 Deisel (ENC) 2 of 2
Figure 011-125

ITEM	PART NUMBER	QTY	LINE	SERIES	BODY	ENGINE	TRANS	DESCRIPTION
------	-------------	-----	------	--------	------	--------	-------	-------------

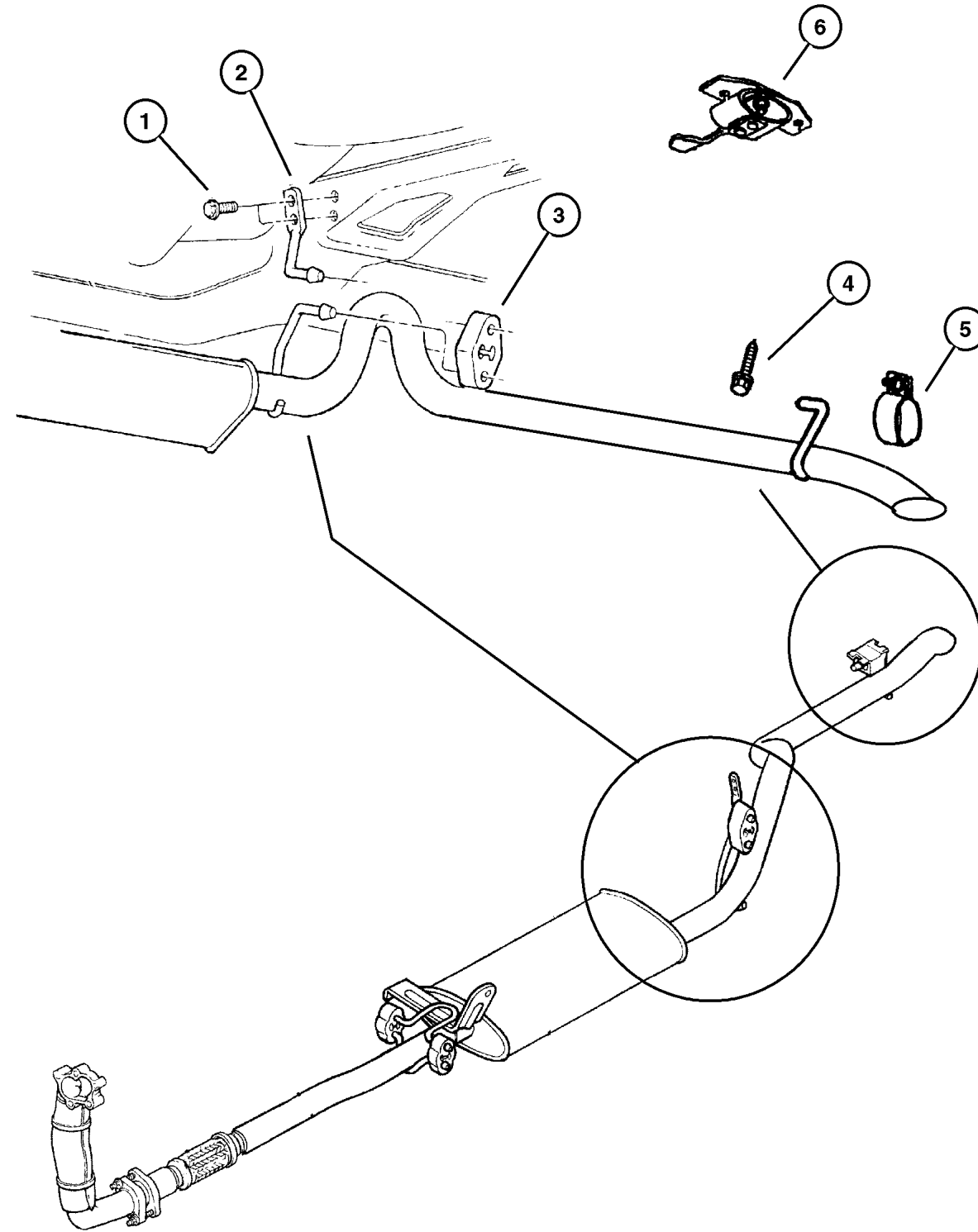
Note: Sales Codes: are on The Truck

EN0 = All Turbo Diesel Engines are on The Truck

EP0 = All 2.5L 4 Cyl Gas Engines are on The Truck

ER0 = All 4.0L 6 Cyl Gas Engines are on The Truck

1	J400 1933	2						SCREW, Hex Flange Head, .312-x18x.875
2	5200 2403	1						HANGER, Exhaust
3	5200 1759	1						INSULATOR, Exhaust
4	3420 1964	2						BOLT, Hex Flange Head, M12x1.75x40
5	52101 265AA	1				EN0, ER0		CLAMP, Exhaust
6	52101 097AC	1						HANGER, Tailpipe



JEEP CHEROKEE (XJ)

SERIES	LINE	BODY	ENGINE	TRANSMISSION
P = Limited	J = LHD (4WD)	74=4 Dr. (101.4 WB)	ENC, EN0 = 2.5L 4 Cyl Turbo	DDD = 5 Speed Manual
S = Limited	U = RHD (4WD)	72=2 Dr. (101.4 WB)	ERH, ER0 = 4.0L Power Tech	DGS = 4 Speed Auto AISIN
H = Sport	T = LHD (2WD)			DG0 = All Automatic Trans
L = SE	B = RHD (2WD)			DBB = All Manual Trans

AR = Use as required - = Non illustrated part # = New this model year

May 2, 2002

Heat Shields Figure 011-210

ITEM	PART NUMBER	QTY	LINE	SERIES	BODY	ENGINE	TRANS	DESCRIPTION
------	-------------	-----	------	--------	------	--------	-------	-------------

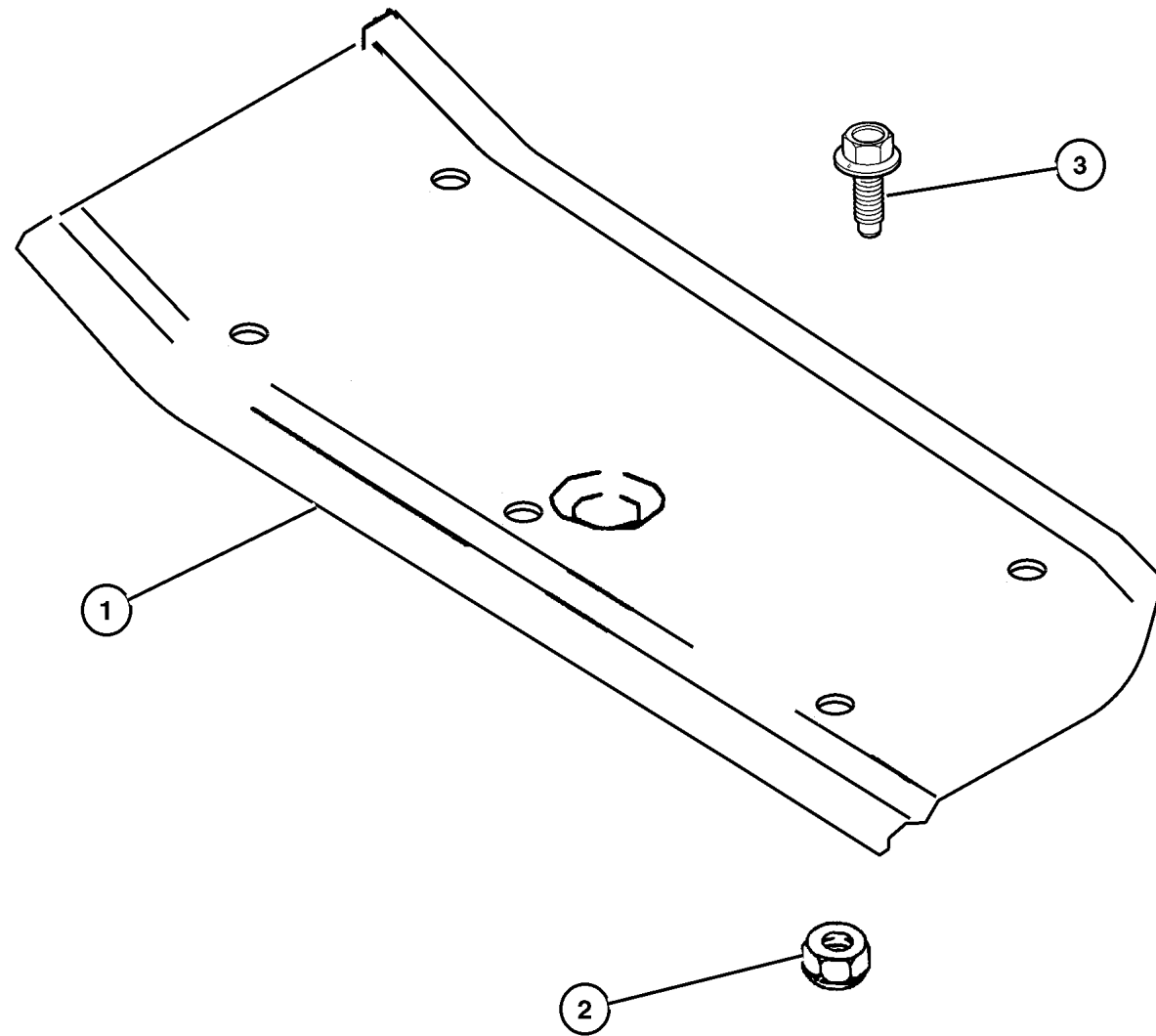
Note: Sales Codes: are on The Truck

EN0 = All Turbo Diesel Engines are on The Truck

EP0 = All 2.5L 4 Cyl Gas Engines are on The Truck

ER0 = All 4.0L 6 Cyl Gas Engines are on The Truck

1	55235 811AB	1				EP0, ER0		SHIELD, Muffler
2	J012 0375	5				EP0, ER0		NUT, Hex, .250-20
3	#6036 232AA	5						SCREW, Hex Head, .25-20x.75
-4	5207 9405	1				EN0		SHIELD, Heat



JEEP CHEROKEE (XJ)

SERIES	LINE	BODY	ENGINE	TRANSMISSION
P = Limited	J = LHD (4WD)	74=4 Dr. (101.4 WB)	ENC, EN0 = 2.5L 4 Cyl Turbo	DDD = 5 Speed Manual
S = Limited	U = RHD (4WD)	72=2 Dr. (101.4 WB)	ERH, ER0 = 4.0L Power Tech	DGS = 4 Speed Auto AISIN
H = Sport	T = LHD (2WD)			DG0 = All Automatic Trans
L = SE	B = RHD (2WD)			DBB = All Manual Trans

AR = Use as required - = Non illustrated part # = New this model year

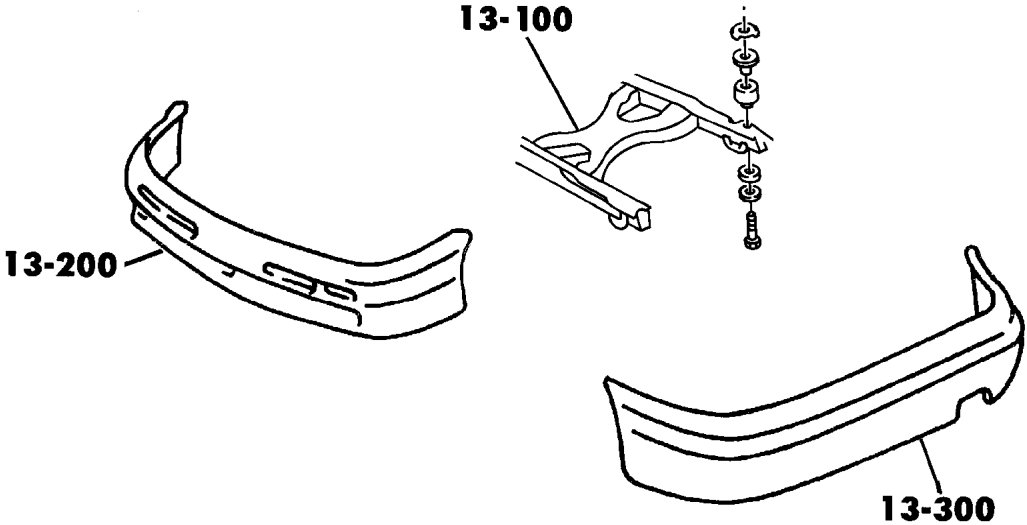
May 2, 2002

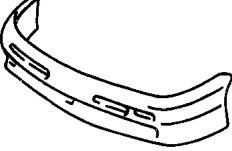


Group – 013

Frames and Bumpers

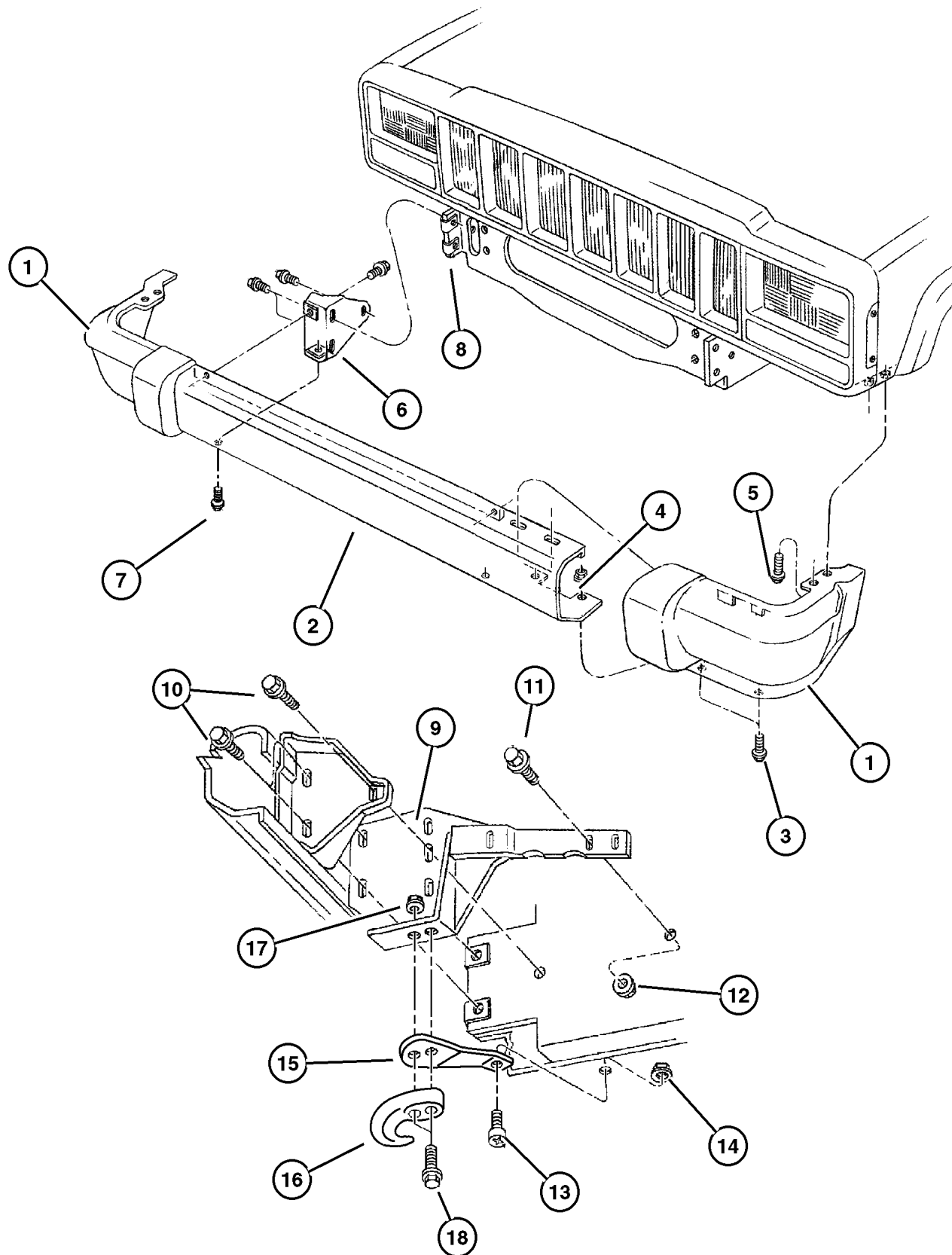
GROUP 13 - Frames and Bumpers

Illustration Title	Group-Fig. No.
Front Bumper and Fascia	
Bumper, Front	Fig. 013-210
Rear Bumper and Fascia	
Bumper, Rear	Fig. 013-310
Trailer Tow	
Hitch, Trailer Tow	Fig. 013-610



013-200 Front Bumper and Fascia 	013-300 Rear Bumper and Fascia 	013-600 Trailer Tow 	
--	---	--	--

Bumper, Front Figure 013-210



ITEM	PART NUMBER	QTY	LINE	SERIES	BODY	DESCRIPTION
1						END CAP, Bumper
	5DY00 DX8AC	1				Black, Right
	5DY00 PR4AC	1				Red, Right
	5DY00 SG8AC	1				Green, Right
	5DY00 SW1AC	1				White, Right
	5DY00 WBTAC	1				Patriot Blue, Right
	5DY00 WTDAC	1				Desert Sand, Right
	5DY00 WU7AC	1				Sienna, Right
	5DY00 XS5AC	1				Black Clear Coat, Right
	5DY40 DX9AC	1				Black, Sport [MBK], Right
	5DY01 DX8AC	1				Black, Left
	5DY01 PR4AC	1				Red, Left
	5DY01 SG8AC	1				Green, Left
	5DY01 SW1AC	1				White, Left
	5DY01 WBTAC	1				Patriot Blue, Left
	5DY01 WTDAC	1				Desert Sand, Left
	5DY01 WU7AC	1				Sienna, Left
	5DY01 XS5AC	1				Black Clear Coat, Left
	5DY41 DX9AC	1				Black, Sport [MBK], Left
2	#5019 155AA	1				BAR, Bumper Front, Primed
3						BOLT AND CONED WASHER, Hex Head, M6x20x12.5, (NOT SERVICED)
4	6101 694	4				NUT, M6x1.00
5						SCREW, Hex Head, M6x1x20, (NOT SERVICED)
6						BRACKET, Bumper
	55175 268AB	1				Right
	55175 269AB	1				Left
7	1150 0662	4				NUT, U Type, M10 x 1.50
8	3420 1540	2				BOLT AND WASHER, Implement Attaching
9						BRACKET, Front Bumper
	55155 096AB	1				Right
	55155 097AB	1				Left
10	3420 2219	6				BOLT AND WASHER, Hex Head
11	3420 2388	1				BOLT, Button Head Torx, M14 x 2.0 x 80
12						NUT, (NOT SERVICED)
13	6505 086AA	4				BOLT, Hex Head, M10x1.50x20
14						NUT, Hex Flange, M10x1.5
	6502 135	1	J, T			
		1	B, U			
15						BRACE, Tow Hook
	5200 1972	1				Right
	5200 1973	1				Left
16	52057 999AB	2				HOOK, Tow

JEEP CHEROKEE (XJ)

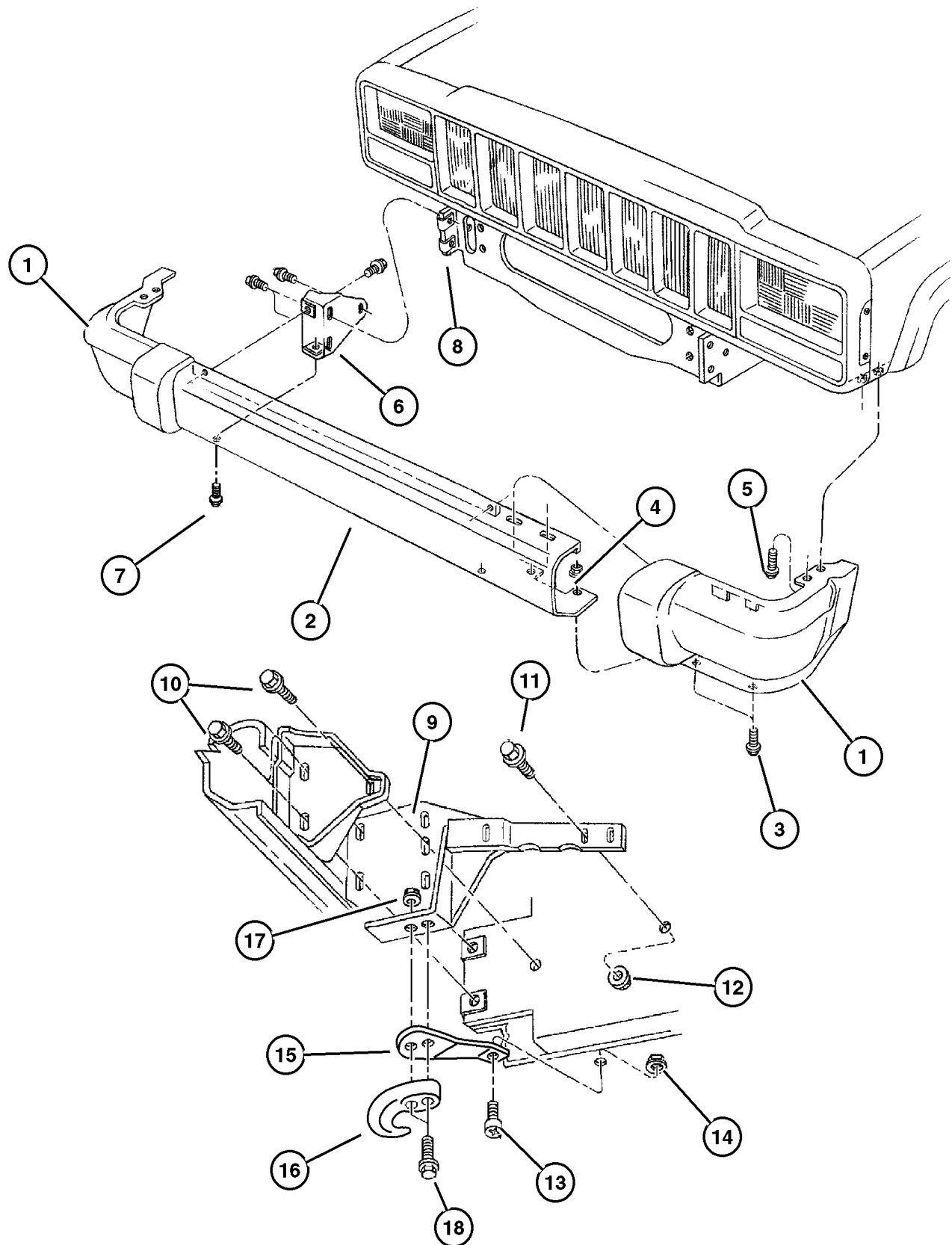
SERIES	LINE	BODY	ENGINE	TRANSMISSION
P = Limited	J = LHD (4WD)	74=4 Dr. (101.4 WB)	ENC, EN0 = 2.5L 4 Cyl Turbo	DDD = 5 Speed Manual
S = Limited	U = RHD (4WD)	72=2 Dr. (101.4 WB)	ERH, ER0 = 4.0L Power Tech	DGS = 4 Speed Auto AISIN
H = Sport	T = LHD (2WD)			DG0 = All Automatic Trans
L = SE	B = RHD (2WD)			DBB = All Manual Trans

AR = Use as required - = Non illustrated part # = New this model year

May 2, 2002

**Bumper, Front
Figure 013-210**

ITEM	PART NUMBER	QTY	LINE	SERIES	BODY	DESCRIPTION
17	6502 697	2				NUT, Hex Flange Lock, M12x1.75
18	1150 5098	2				BOLT, Hex Flange Head, M12x1.75x60
-19	5EF0 8DX9	1		L		DEFLECTOR, Air, Black
-20	6035 944AA	3				RIVET
-21	5200 3479	1				BRACKET, License Plate

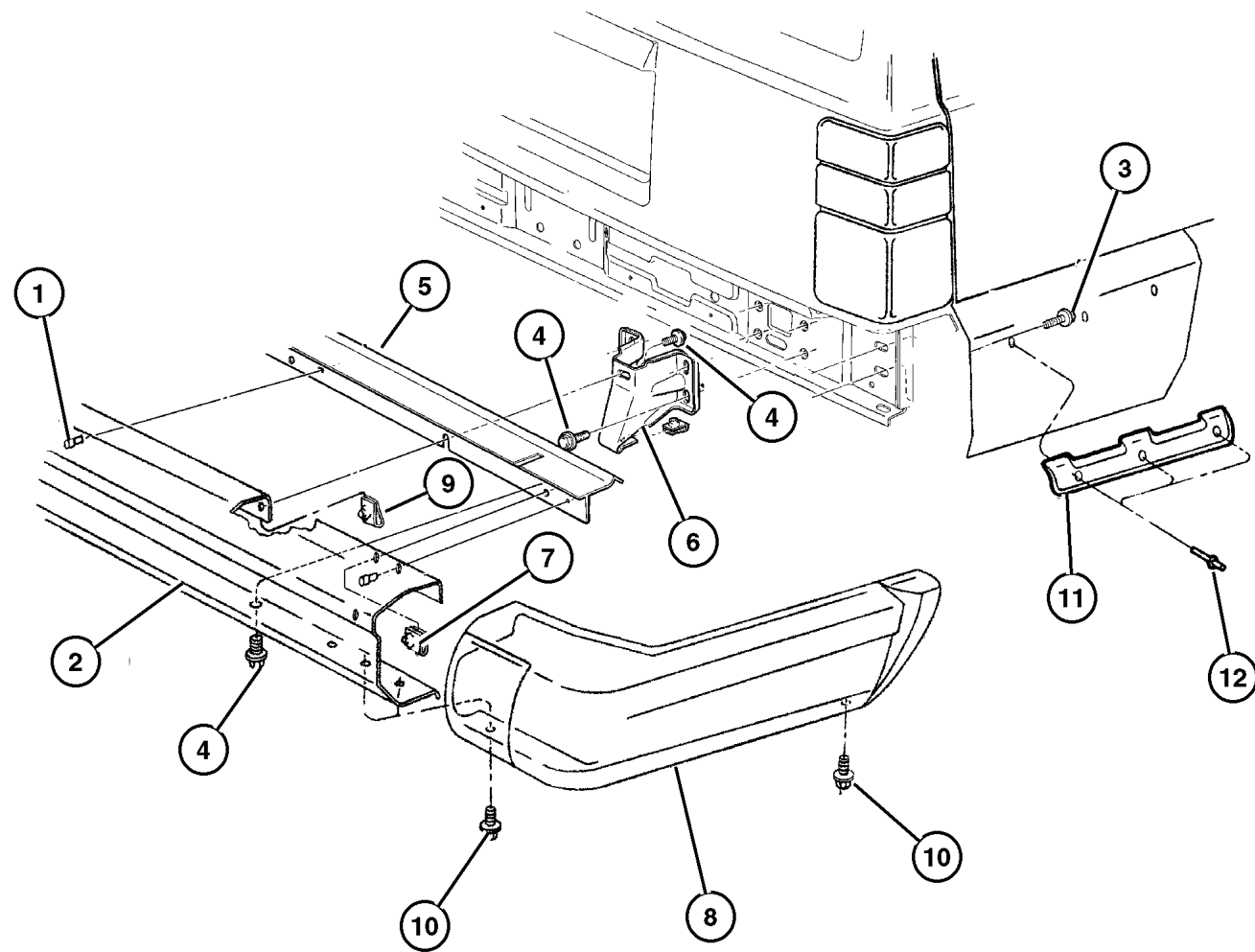


JEEP CHEROKEE (XJ)

SERIES	LINE	BODY	ENGINE	TRANSMISSION
P = Limited	J = LHD (4WD)	74=4 Dr. (101.4 WB)	ENC, EN0 = 2.5L 4 Cyl Turbo	DDD = 5 Speed Manual
S = Limited	U = RHD (4WD)	72=2 Dr. (101.4 WB)	ERH, ER0 = 4.0L Power Tech	DGS = 4 Speed Auto AISIN
H = Sport	T = LHD (2WD)			DG0 = All Automatic Trans
L = SE	B = RHD (2WD)			DBB = All Manual Trans

AR = Use as required - = Non illustrated part # = New this model year May 2, 2002

Bumper, Rear Figure 013-310



ITEM	PART NUMBER	QTY	LINE	SERIES	BODY	DESCRIPTION
1						RIVET, M5x20.00 Plastic, (NOT SERVICED)
2	#5019 153AA	1				BUMPER, Rear
3	J400 1933	4				SCREW, Hex Flange Head, .312-x18x.875
4	3420 1540	8				BOLT AND WASHER, Implement Attaching
5	5502 6542	1				SHIELD, Bumper
6						BRACKET, Bumper
	55155 990AA	1				Right
	55155 991AA	1				Left
7						U-NUT, M8x1.25, (NOT SERVICED)
8						END CAP, Bumper
	5DY0 8DX8	1				[MBW], [X8], Right
	5DY0 8PR4	1				[MBW], [R4], Right
	5DY0 8SG8	1				[MBW], [G8], Right
	5DY0 8SW1	1				[MBW], [W1], Right
	5DY0 8WBT	1				[MBW], [BT], Right
	5DY0 8WU7	1				[MBW], [U7], Right
	5DY0 8XS5	1				[MBW], [S5], Right
	5DY0 9DX8	1				[MBW], [X8], Left
	5DY0 9PR4	1				[MBW], [R4], Left
	5DY0 9SG8	1				[MBW], [G8], Left
	5DY0 9SW1	1				[MBW], [W1], Left
	5DY0 9WBT	1				[MBW], [BT], Left
	5DY0 9WU7	1				[MBW], [U7], Left
	5DY0 9XS5	1				[MBW], [S5], Left
	5DY1 0DX9	1				[MBS], Right
	5DY1 1DX9	1				[MBS], Left
9	1150 0662	4				NUT, U Type, M10 x 1.50
10	6101 455	2				SCREW AND WASHER, Hex Head, M6x1x20
11						BRACKET
	5517 5692	1				Right
	5517 5693	1				Left
12	6035 122	4				RIVET, .187x.70 Black

JEEP CHEROKEE (XJ)

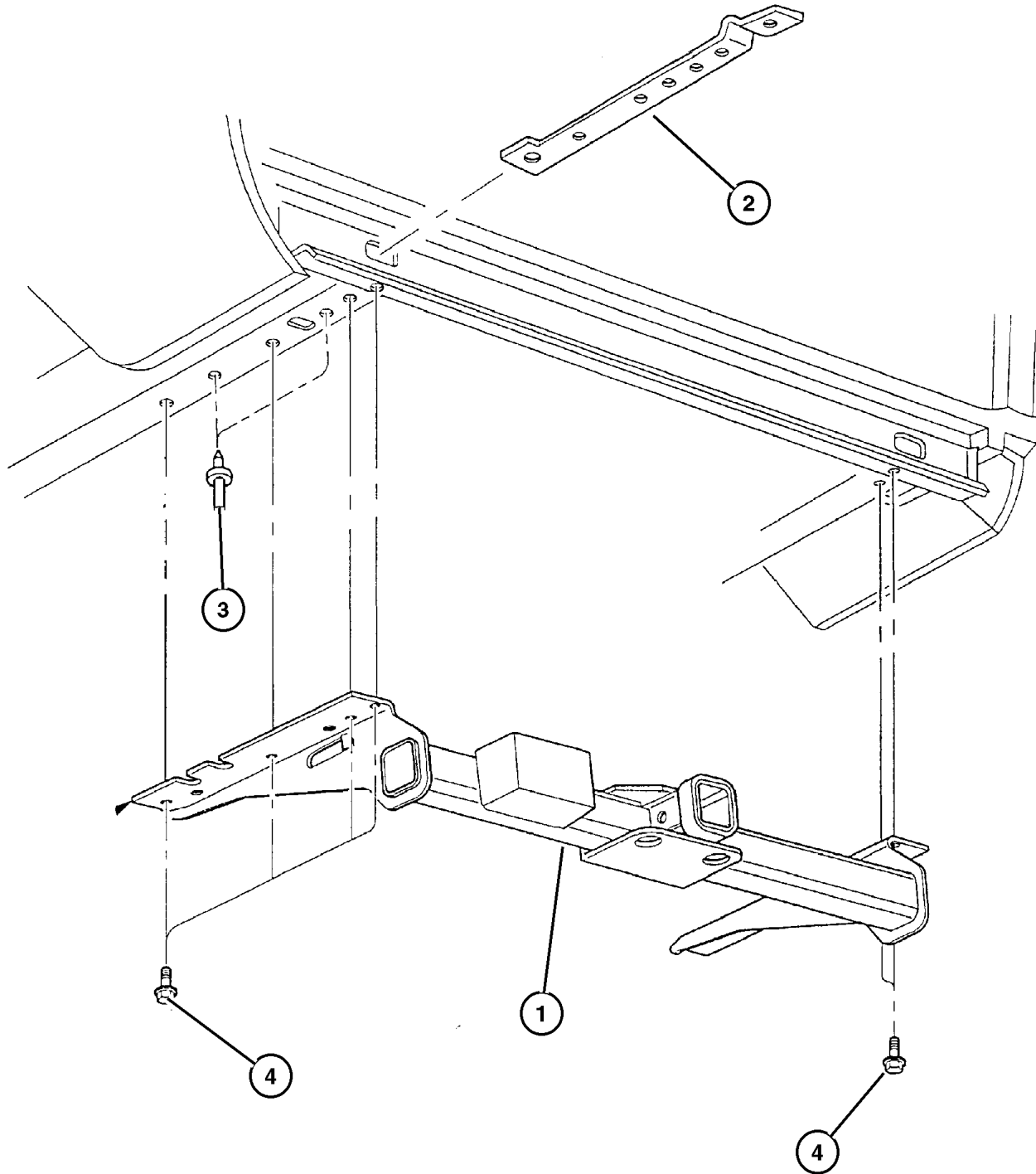
SERIES	LINE	BODY	ENGINE	TRANSMISSION
P = Limited	J = LHD (4WD)	74=4 Dr. (101.4 WB)	ENC, EN0 = 2.5L 4 Cyl Turbo	DDD = 5 Speed Manual
S = Limited	U = RHD (4WD)	72=2 Dr. (101.4 WB)	ERH, ER0 = 4.0L Power Tech	DGS = 4 Speed Auto AISIN
H = Sport	T = LHD (2WD)			DG0 = All Automatic Trans
L = SE	B = RHD (2WD)			DBB = All Manual Trans

AR = Use as required - = Non illustrated part # = New this model year

May 2, 2002

Hitch, Trailer Tow Figure 013-610

ITEM	PART NUMBER	QTY	LINE	SERIES	BODY	DESCRIPTION
1	5205 8266	1				HITCH, Trailer
2						REINFORCEMENT, Sill
	5200 1174	1				Right
	5200 1175	1				Left
3						RIVET, M6.3x14.02, (NOT SERVICED)
4	3420 1964	6				BOLT, Hex Flange Head, M12x1.75x40



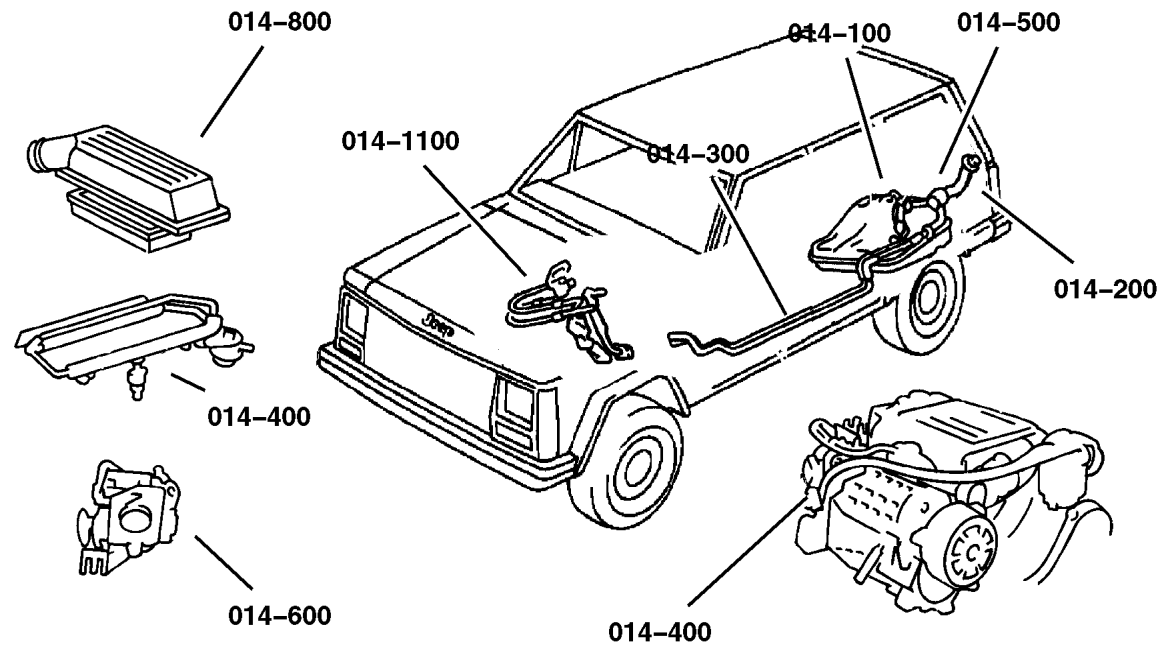
JEEP CHEROKEE (XJ)				
SERIES	LINE	BODY	ENGINE	TRANSMISSION
P = Limited	J = LHD (4WD)	74=4 Dr. (101.4 WB)	ENC, EN0 = 2.5L 4 Cyl Turbo	DDD = 5 Speed Manual
S = Limited	U = RHD (4WD)	72=2 Dr. (101.4 WB)	ERH, ER0 = 4.0L Power Tech	DGS = 4 Speed Auto AISIN
H = Sport	T = LHD (2WD)			DG0 = All Automatic Trans
L = SE	B = RHD (2WD)			DBB = All Manual Trans

AR = Use as required - = Non illustrated part # = New this model year

May 2, 2002

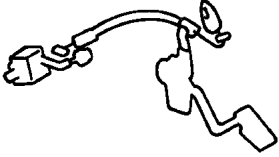

Group – 014

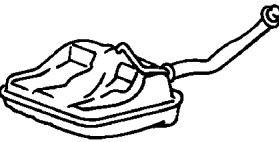
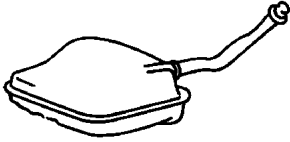

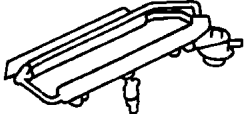
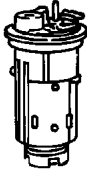

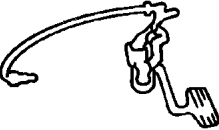
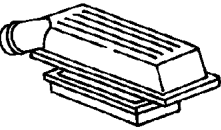
Fuel



Group – 014

Fuel

<p>014-1000 Speed Control</p> 	<p>014-1100 Accelerator Pedal</p> 		
--	--	--	--

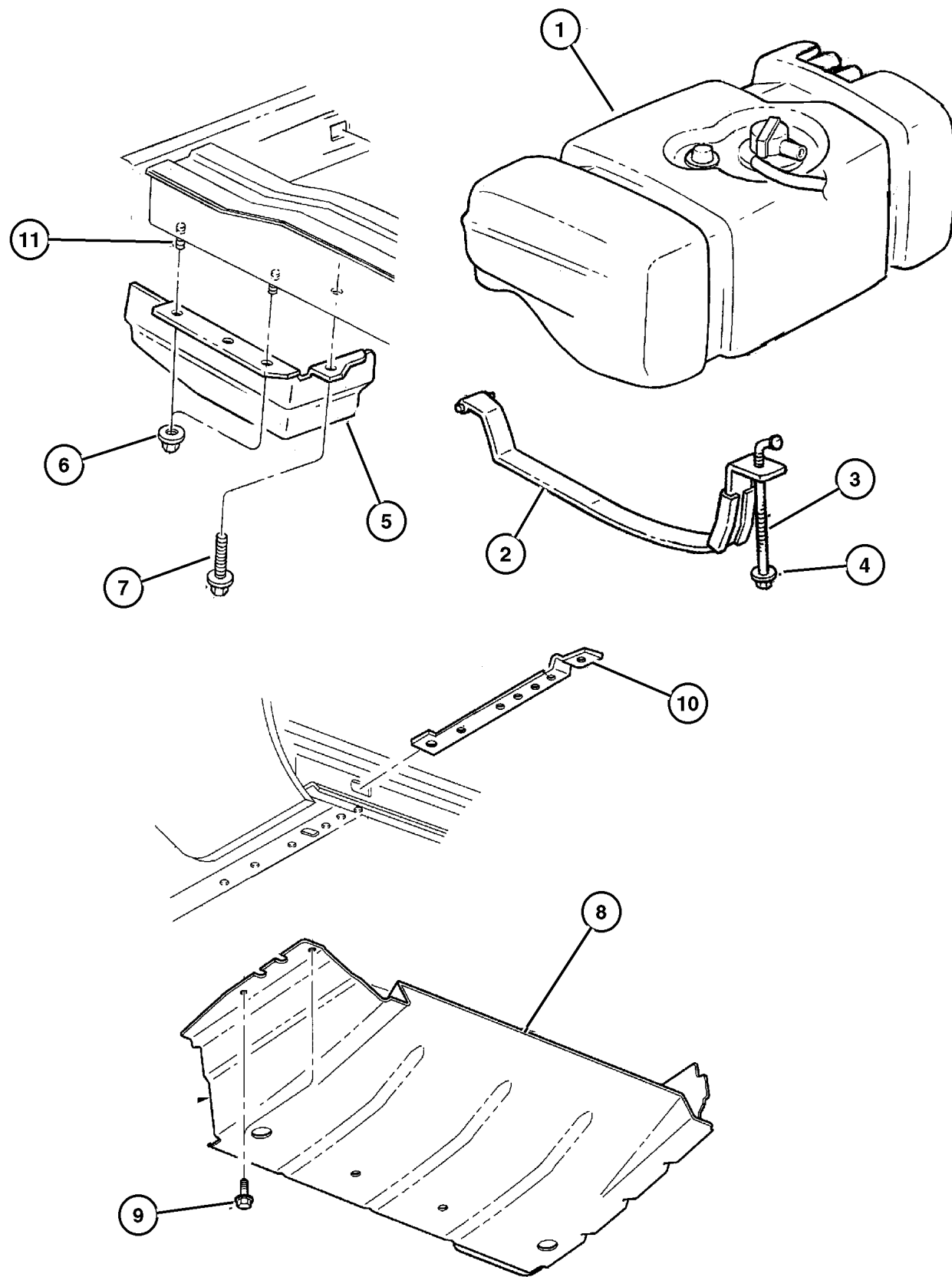
<p>014-100 Tank, Fuel</p> 	<p>014-200 Fuel Tank Filler Tube</p> 	<p>014-300 Fuel Lines</p> 	<p>014-400 Fuel Rail</p> 
<p>014-500 Fuel Pump and Sending Unit</p> 	<p>014-600 Throttle Body</p> 	<p>014-700 Throttle Controls</p> 	<p>014-800 Air Cleaner</p> 

GROUP 14 - Fuel

Illustration Title	Group-Fig. No.
Tank, Fuel	
Fuel Tank 2.5 Diesel (ENC), 4.0 (ERH)	Fig. 014-120
Fuel Tank Filler Tube	
Fuel Tank Filler Tube 2.5 Diesel (ENC), 4.0 (ERH)	Fig. 014-210
Fuel Lines	
Fuel Lines, Front 4.0 (ERH)	Fig. 014-310
Fuel Lines, Rear 4.0 (ERH)	Fig. 014-320
Fuel Lines, Front 2.5 Diesel (ENC)	Fig. 014-330
Fuel Lines, Rear 2.5 Diesel (ENC)	Fig. 014-340
Fuel Rail	
Fuel Injection System 4.0 (ERH)	Fig. 014-410
Fuel Injection System 2.5 Diesel (ENC)	Fig. 014-420
Fuel Injection Pump 2.5 Diesel (ENC)	Fig. 014-430
Fuel Pump and Sending Unit	
Fuel Pump and Sending Unit 2.5 Diesel (ENC), 4.0 (ERH)	Fig. 014-510
Throttle Body	
Throttle Body 4.0 (ERH)	Fig. 014-610
Turbocharger 2.5 Diesel (ENC)	Fig. 014-620
Throttle Controls	
Throttle Controls 4.0 (ERH)	Fig. 014-710
Air Cleaner	
Air Cleaner 4.0 (ERH)	Fig. 014-810
Air Cleaner 2.5 Diesel (ENC)	Fig. 014-820
Speed Control	
Speed Control 4.0 (ERH)	Fig. 014-1010
Accelerator Pedal	
Accelerator Pedal 2.5 Diesel (ENC) and 4.0 (ERH)	Fig. 014-1110



Fuel Tank 2.5 Diesel (ENC), 4.0 (ERH)
Figure 014-120



ITEM	PART NUMBER	QTY	LINE	SERIES	BODY	ENGINE	TRANS	DESCRIPTION
Note: Sales Codes: are on The Truck								
EN0 = All Turbo Diesel Engines are on The Truck								
EP0 = All 2.5L 4 Cyl Gas Engines are on The Truck								
ER0 = All 4.0L 6 Cyl Gas Engines are on The Truck								
XEE= Skid Plate Shield Fuel Tank are on The Truck								
1	52100 179AD	1				EP0, ER0 EN0		TANK, Fuel
2	52100 009AC	2						STRAP, Fuel Tank
3	52100 362AB	2						J BOLT, Fuel Tank Support, Also Included In Item#2
4	J400 6001	2						NUT, Hex Flange, .375-16, Also Serviced In Item#2
5	52100 338AA	1						SHIELD, Fuel Tank
6	6100 055	2						NUT AND WASHER, Hex Nut-Coned Washer, M12 x 1.75
7	3420 1964	2						BOLT, Hex Flange Head, M12x1.75x40
8	52100 328AA	1						PLATE, Skid, With S/C XEE
9	3420 1964	6						BOLT, Hex Flange Head, M12x1.75x40
10								REINFORCEMENT, Sill
	5200 1174	1						Without S/C XEE, Right
	5200 1175	1						With S/C XEE, Left
11								STUD, M12x1.75x72.00
	6505 137AA	2						Without S/C XEE
		3						With S/C XEE

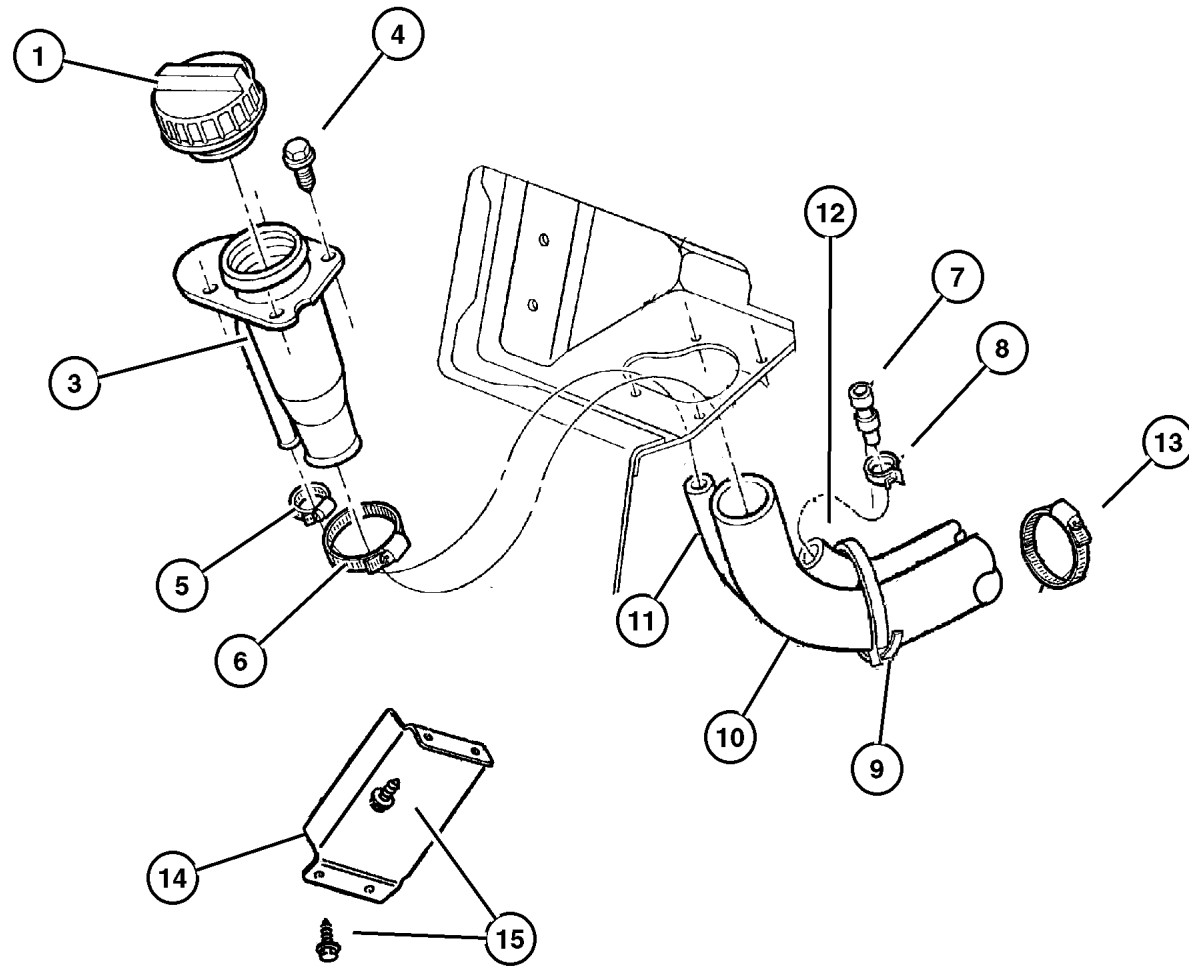
JEEP CHEROKEE (XJ)

SERIES	LINE	BODY	ENGINE	TRANSMISSION
P = Limited	J = LHD (4WD)	74=4 Dr. (101.4 WB)	ENC, EN0 = 2.5L 4 Cyl Turbo	DDD = 5 Speed Manual
S = Limited	U = RHD (4WD)	72=2 Dr. (101.4 WB)	ERH, ER0 = 4.0L Power Tech	DGS = 4 Speed Auto AISIN
H = Sport	T = LHD (2WD)			DG0 = All Automatic Trans
L = SE	B = RHD (2WD)			DBB = All Manual Trans

AR = Use as required - = Non illustrated part # = New this model year

May 2, 2002

**Fuel Tank Filler Tube 2.5 Diesel (ENC), 4.0 (ERH)
Figure 014-210**



ITEM	PART NUMBER	QTY	LINE	SERIES	BODY	ENGINE	TRANS	DESCRIPTION
Note: Sales Codes: are on The Truck								
EN0 = All Turbo Diesel Engines are on The Truck								
EP0 = All 2.5L 4 Cyl Gas Engines are on The Truck								
ER0 = All 4.0L 6 Cyl Gas Engines are on The Truck								
1	5278 632AA	1						CAP, Fuel Filler, Non - Locking Quick On
-2	5015 636AA	1						CAP KIT, Fuel Tank Locking
3	52100 173AC	1				EN0, ER0		TUBE, Fuel Filler U.S. 50 States and European
	52100 174AC	1						Diesel And Leaded Fuel
4	0154 236	4						SCREW, Stake, .19-24
5	J320 3077	1						CLAMP, Hose
6								CLAMP, (NOT SERVICED)
7	J535 2955	1	J, U			EN0, EP0		VENT, Axle
8	6502 081	1				EN0		CLAMP, Oil Cooler Line
9	4641 780	1				EP0, ER0		STRAP, Tie
10	52100 131AC	1				EP0, ER0 EN0		HOSE, Fuel Filler
11	5210 0132	1				EP0, ER0 EN0		HOSE, Fuel Filler Vent
12	5201 8866	1				EN0		TUBE, Vent, Diesel Only
13								CLAMP, HOSE CLAMP, (NOT SERVICED)
14	55003 285AB	1						SHIELD, Heat, Fuel Filler Tube
15	3420 1895	4						SCREW, Hex Head Tapping, M6.3x1.81x16.00

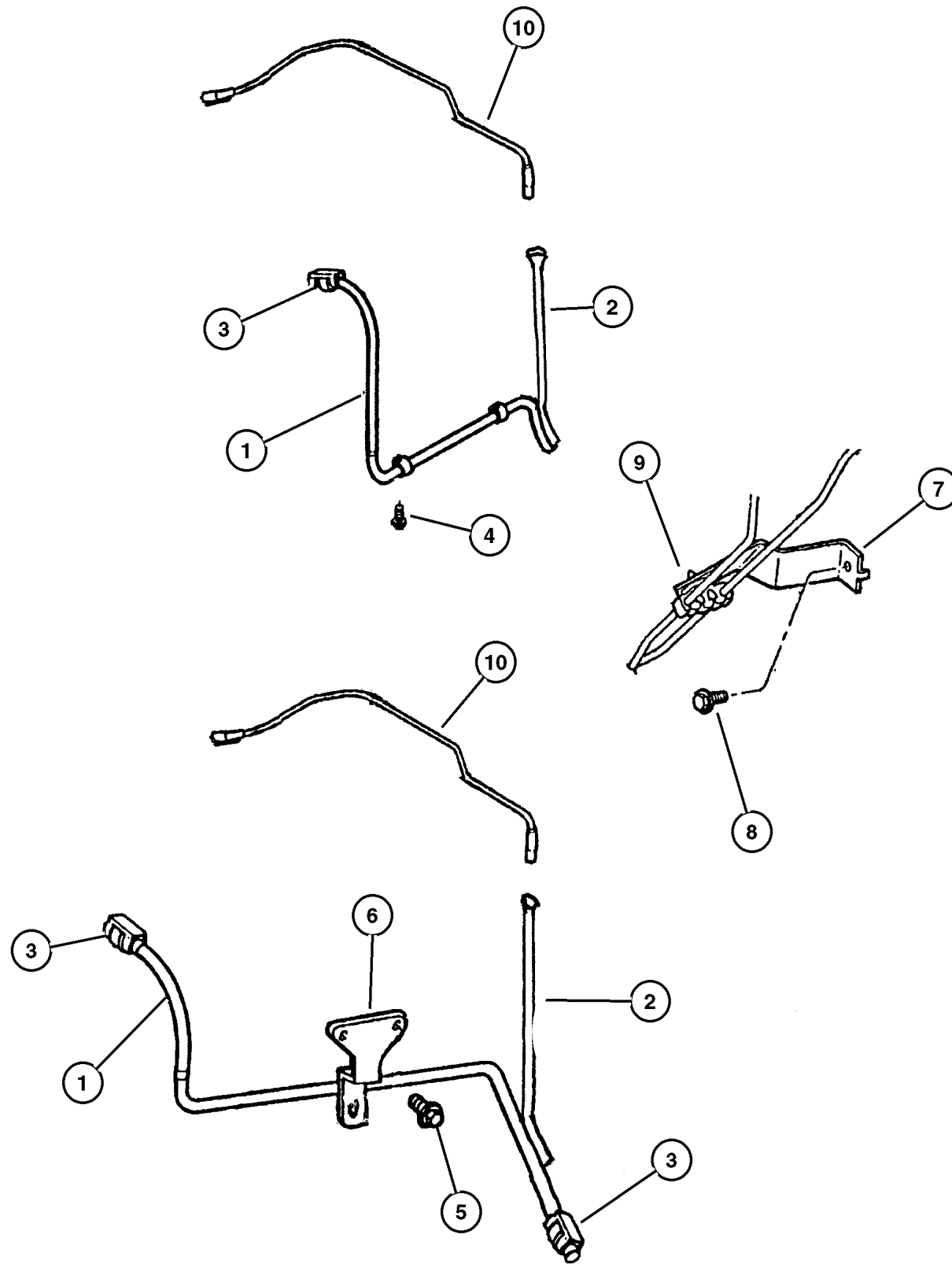
JEEP CHEROKEE (XJ)

SERIES	LINE	BODY	ENGINE	TRANSMISSION
P = Limited	J = LHD (4WD)	74=4 Dr. (101.4 WB)	ENC, EN0 = 2.5L 4 Cyl Turbo	DDD = 5 Speed Manual
S = Limited	U = RHD (4WD)	72=2 Dr. (101.4 WB)	ERH, ER0 = 4.0L Power Tech	DGS = 4 Speed Auto AISIN
H = Sport	T = LHD (2WD)			DG0 = All Automatic Trans
L = SE	B = RHD (2WD)			DBB = All Manual Trans

AR = Use as required - = Non illustrated part # = New this model year

May 2, 2002

Fuel Lines, Front 4.0 (ERH)
Figure 014-310



ITEM	PART NUMBER	QTY	LINE	SERIES	BODY	ENGINE	TRANS	DESCRIPTION
Note: Sales Codes: are on The Truck								
EN0 = All Turbo Diesel Engines are on The Truck								
EP0 = All 2.5L 4 Cyl Gas Engines are on The Truck								
ER0 = All 4.0L 6 Cyl Gas Engines are on The Truck								
1	52100 349AB	1				ER0		BUNDLE, Fuel Line
2	52100 039AC	1	J, T			EP0, ER0		TUBE, Fuel Vapor Leaded Fuel, Front
	52100 126AB	1	B, U			EP0, ER0		European, Front
3	5212 7788	2				ER0		CLIP, Fuel Line
4								SCREW, Self Tapping, M6x1x15, (NOT SERVICED)
5	6505 600AA	1				ER0		STUD
6	6505 648AA	1				ER0		CLIP, Fuel Line
7	52100 314AA	1						BRACKET, Fuel Line
8	3420 1895	2						SCREW, Hex Head Tapping, M6.3x1.81x16.00
9	52100 286AD	7						CLIP, 5 Way
10	52100 162AE	1				EN0, ER0		TUBE, Fuel Vapor

JEEP CHEROKEE (XJ)

SERIES	LINE	BODY	ENGINE	TRANSMISSION
P = Limited	J = LHD (4WD)	74=4 Dr. (101.4 WB)	ENC, EN0 = 2.5L 4 Cyl Turbo	DDD = 5 Speed Manual
S = Limited	U = RHD (4WD)	72=2 Dr. (101.4 WB)	ERH, ER0 = 4.0L Power Tech	DGS = 4 Speed Auto AISIN
H = Sport	T = LHD (2WD)			DG0 = All Automatic Trans
L = SE	B = RHD (2WD)			DBB = All Manual Trans

AR = Use as required - = Non illustrated part # = New this model year

May 2, 2002

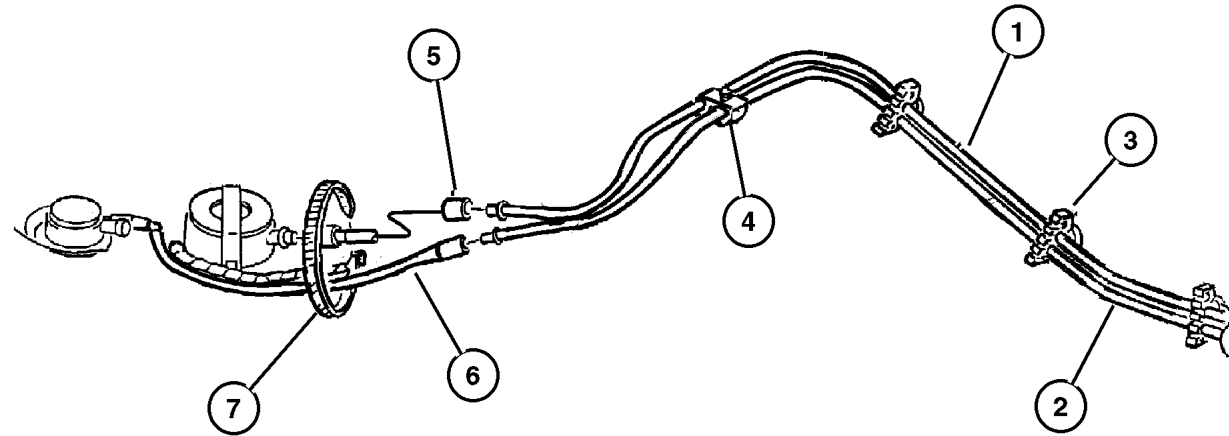
**Fuel Lines, Rear 4.0 (ERH)
Figure 014-320**

ITEM	PART NUMBER	QTY	LINE	SERIES	BODY	ENGINE	TRANS	DESCRIPTION
------	-------------	-----	------	--------	------	--------	-------	-------------

Note: Sales Codes: are on The Truck

EN0 = All Turbo Diesel Engines are on The Truck
 EP0 = All 2.5L 4 Cyl Gas Engines are on The Truck
 ER0 = All 4.0L 6 Cyl Gas Engines are on The Truck

1	5212 7896	1						TUBE, Fuel Supply
2	52100 162AE	1				EN0, ER0		TUBE, Fuel Vapor
	52100 461AA	1				EP0, ER0		European And Leaded Fuel
3	52100 286AD	7						CLIP, 5 Way
4	4612 871AB	1						CLIP, Fuel Bundle
5	52100 037AC	1				EP0, ER0		TUBE, Fuel Supply
		1				EN0		
6	52100 035AB	1				EN0, ER0		TUBE, Fuel Vapor
7	4641 780	1				EP0, ER0		STRAP, Tie



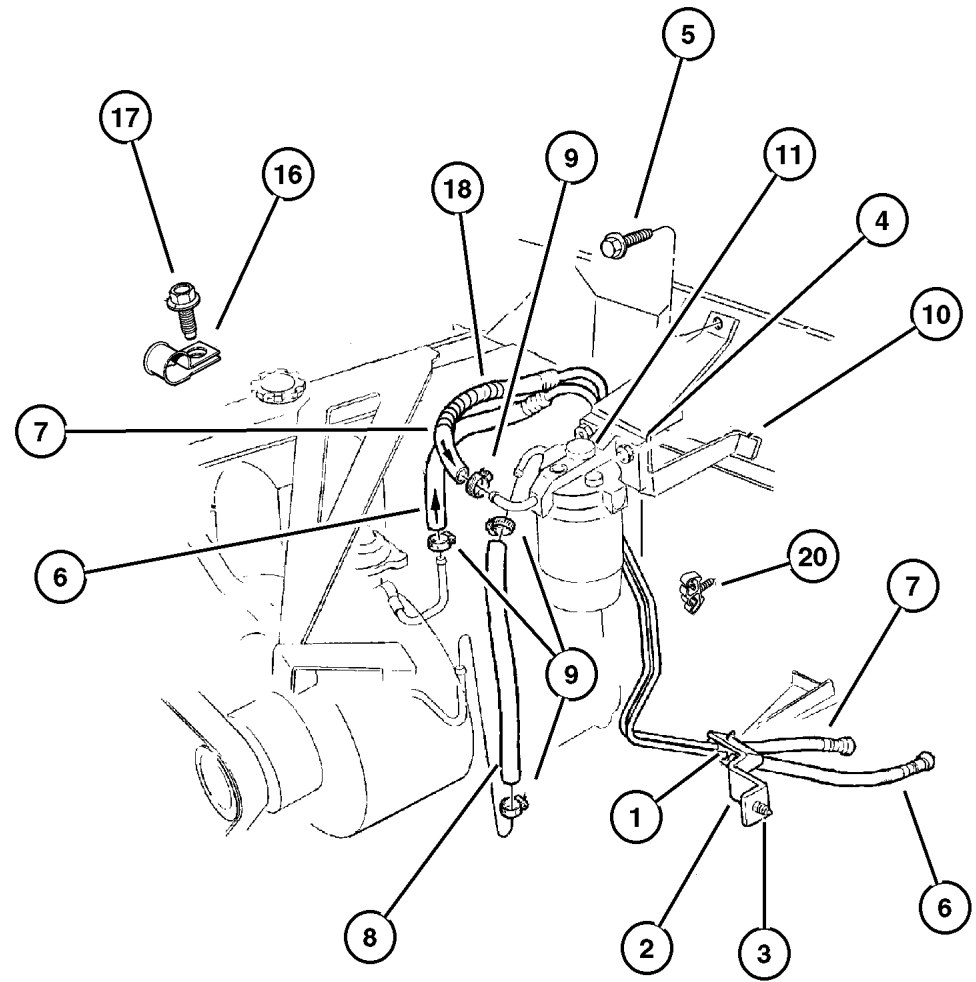
JEEP CHEROKEE (XJ)

SERIES	LINE	BODY	ENGINE	TRANSMISSION
P = Limited	J = LHD (4WD)	74=4 Dr. (101.4 WB)	ENC, EN0 = 2.5L 4 Cyl Turbo	DDD = 5 Speed Manual
S = Limited	U = RHD (4WD)	72=2 Dr. (101.4 WB)	ERH, ER0 = 4.0L Power Tech	DGS = 4 Speed Auto AISIN
H = Sport	T = LHD (2WD)			DG0 = All Automatic Trans
L = SE	B = RHD (2WD)			DBB = All Manual Trans

AR = Use as required - = Non illustrated part # = New this model year

May 2, 2002

**Fuel Lines, Front 2.5 Diesel (ENC)
Figure 014-330**



ITEM	PART NUMBER	QTY	LINE	SERIES	BODY	ENGINE	TRANS	DESCRIPTION
Note: Sales Codes: are on The Truck								
EN0 = All Turbo Diesel Engines are on The Truck								
EP0 = All 2.5L 4 Cyl Gas Engines are on The Truck								
ER0 = All 4.0L 6 Cyl Gas Engines are on The Truck								
1	52100 286AD	7						CLIP, 5 Way
2	52100 314AA	1						BRACKET, Fuel Line
3								SCREW, Hex Flange Head Tapping, M6x1.00x20.00, (NOT SERVICED)
4	6101 675	2				EN0		NUT, Hex Flange Lock, M8x1.25
5								SCREW AND WASHER, .190-16x.500, (NOT SERVICED)
6	5210 0079	1				EN0		TUBE, Fuel Return
7	5210 0107	1				EN0		TUBE, Fuel Supply
8	4443 176	1	J, U			EN0, EP0		HOSE, Fuel, .31 I.D. 50 Foot Roll
9	6502 081	2	J, T			EN0		CLAMP, Oil Cooler Line
10								BRACKET, Fuel Filter
	5303 0927	1	J, T			EN0		
	5303 0514	1	B, U			EN0		
11	4723 905	1				EN0		FILTER, Fuel
-12	4723 899	1				EN0		HEAD, Fuel Filter
-13	4723 901	1				EN0		VALVE KIT, Fuel Filter Check
-14	4723 906	1				EN0		BOWL, Fuel Filter
-15	4723 907	1				EN0		DRAIN, Fuel Filter Bowl
16	3420 2997	1				EN0		CLIP, Wrap Around Sealing
17								SCREW, Hex Flange Head Tapping, M6x1.00x20.00
	6101 777	1	J, T					
		1	B, U					
18	4592 145	1				EN0		SLEEVE, Braided
-19	4546 594	1				EN0		SLEEVE, Braided Expandable
20	5210 0077	1				EN0		CLIP, Tube, 2 Way

JEEP CHEROKEE (XJ)

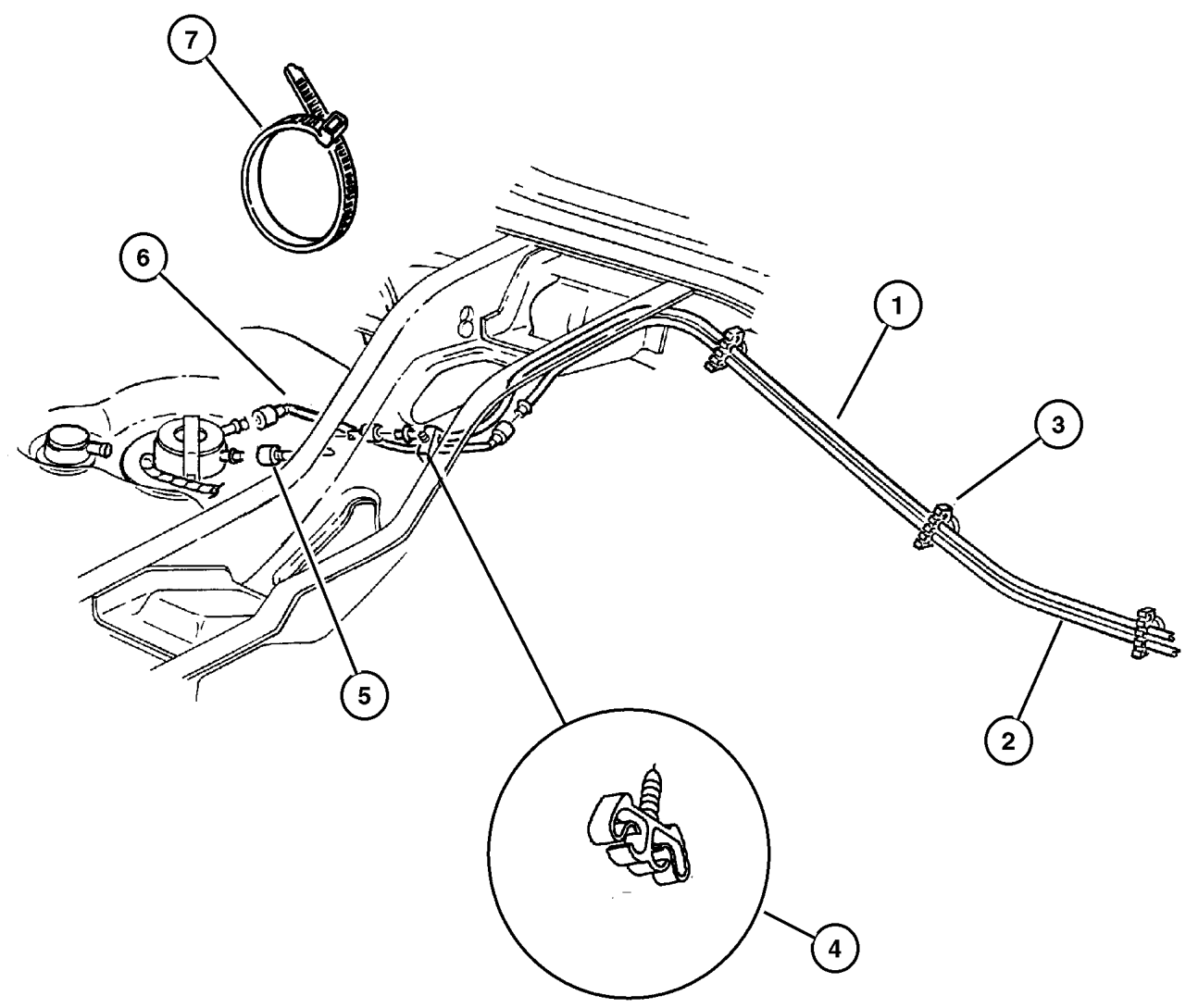
SERIES	LINE	BODY	ENGINE	TRANSMISSION
P = Limited	J = LHD (4WD)	74=4 Dr. (101.4 WB)	ENC, EN0 = 2.5L 4 Cyl Turbo	DDD = 5 Speed Manual
S = Limited	U = RHD (4WD)	72=2 Dr. (101.4 WB)	ERH, ER0 = 4.0L Power Tech	DGS = 4 Speed Auto AISIN
H = Sport	T = LHD (2WD)			DG0 = All Automatic Trans
L = SE	B = RHD (2WD)			DBB = All Manual Trans

AR = Use as required - = Non illustrated part # = New this model year

May 2, 2002

Fuel Lines, Rear 2.5 Diesel (ENC)
Figure 014-340

ITEM	PART NUMBER	QTY	LINE	SERIES	BODY	ENGINE	TRANS	DESCRIPTION
NOTE: ENO= 2.5L Diesel Engines are on The Truck								
1	5210 0107	1				ENO		TUBE, Fuel Supply
2	5210 0079	1				ENO		TUBE, Fuel Return
3	52100 286AD	7						CLIP, 5 Way
4	4612 871AB	1						CLIP, Fuel Bundle
5	52100 037AC	1				ENO		TUBE, Fuel Supply
6	5210 0038	1				ENO		TUBE, Fuel Return
7	4641 780	1						STRAP, Tie

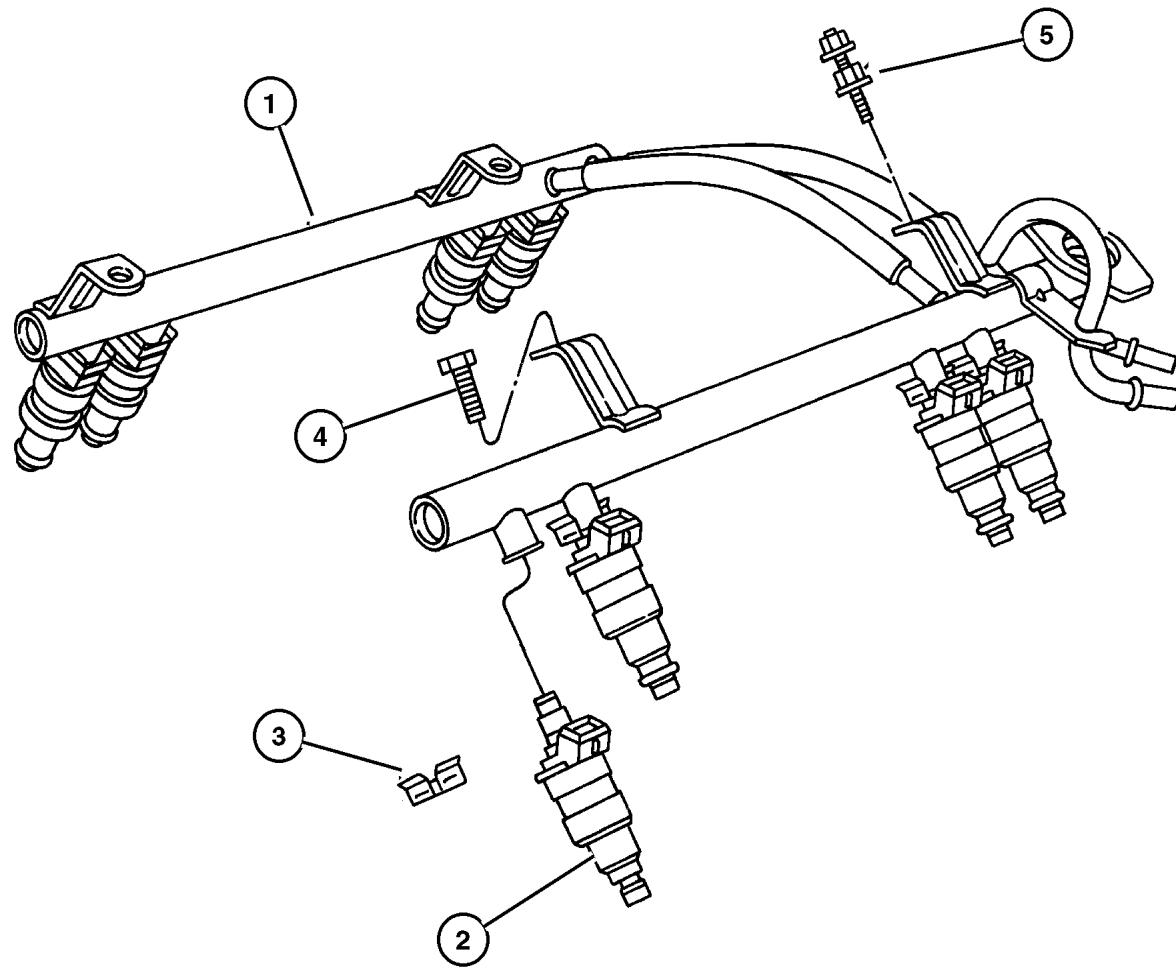


JEEP CHEROKEE (XJ)				
SERIES	LINE	BODY	ENGINE	TRANSMISSION
P = Limited	J = LHD (4WD)	74=4 Dr. (101.4 WB)	ENC, EN0 = 2.5L 4 Cyl Turbo	DDD = 5 Speed Manual
S = Limited	U = RHD (4WD)	72=2 Dr. (101.4 WB)	ERH, ER0 = 4.0L Power Tech	DGS = 4 Speed Auto AISIN
H = Sport	T = LHD (2WD)			DG0 = All Automatic Trans
L = SE	B = RHD (2WD)			DBB = All Manual Trans

AR = Use as required - = Non illustrated part # = New this model year

**Fuel Injection System 4.0 (ERH)
Figure 014-410**

ITEM	PART NUMBER	QTY	LINE	SERIES	BODY	ENGINE	TRANS	DESCRIPTION
NOTE; ER0=All 4.0L Engines are on The Truck								
1	5014 496AA	1				ER0		RAIL, Fuel
2	4854 181	6				ER0		INJECTOR, Fuel
3	4418 257AB	6				ER0		CLIP, Fuel Injector
4	6501 979	2				ER0		SCREW AND WASHER, Hex Head, M6x1x17
5	6502 647	2				ER0		STUD, M6x1.00x44
-6	5018 781AA	1				ER0		CAP, Diagnostic Port



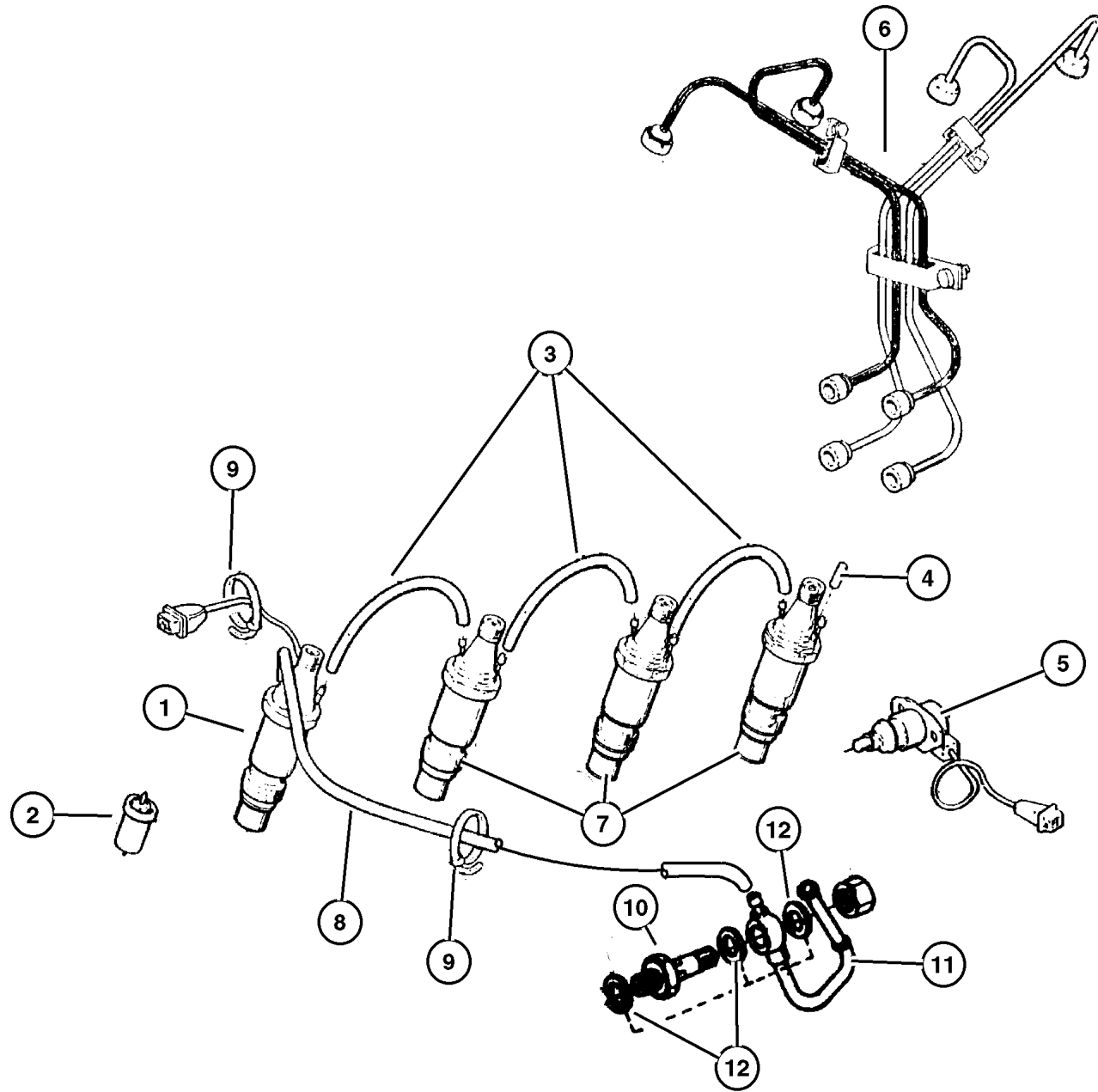
JEEP CHEROKEE (XJ)				
SERIES	LINE	BODY	ENGINE	TRANSMISSION
P = Limited	J = LHD (4WD)	74=4 Dr. (101.4 WB)	ENC, EN0 = 2.5L 4 Cyl Turbo	DDD = 5 Speed Manual
S = Limited	U = RHD (4WD)	72=2 Dr. (101.4 WB)	ERH, ER0 = 4.0L Power Tech	DGS = 4 Speed Auto AISIN
H = Sport	T = LHD (2WD)			DG0 = All Automatic Trans
L = SE	B = RHD (2WD)			DBB = All Manual Trans

AR = Use as required - = Non illustrated part # = New this model year

May 2, 2002

**Fuel Injection System 2.5 Diesel (ENC)
Figure 014-420**

ITEM	PART NUMBER	QTY	LINE	SERIES	BODY	ENGINE	TRANS	DESCRIPTION
NOTE: EN0=All 2.5L Diesel Engines are on The Truck								
1	4886 231AA	1				EN0		INJECTOR, Fuel
2	4723 346	4				EN0		NOZZLE, Fuel Injector
3	4720 189AB	3				EN0		PIPE, Fuel Spill Return
4	4720 197AB	1				EN0		PLUG, Cylinder Block Oil Hole
5	4797 786	1				EN0		ADVANCE, Automatic Injection
6	5003 530AA	1				EN0		TUBE, Fuel Injector Supply
7	4720 171	3				EN0		INJECTOR, Fuel
8	4720 190AB	1				EN0		PIPE, Fuel Spill Return
9	4728 184	3				EN0		CLIP, Spill Return Pipe
10	4874 444	1				EN0		VALVE, Flow Control
11	4864 579	1				EN0		BANJO, Fuel
12	4720 703	2				EN0		WASHER, Plain



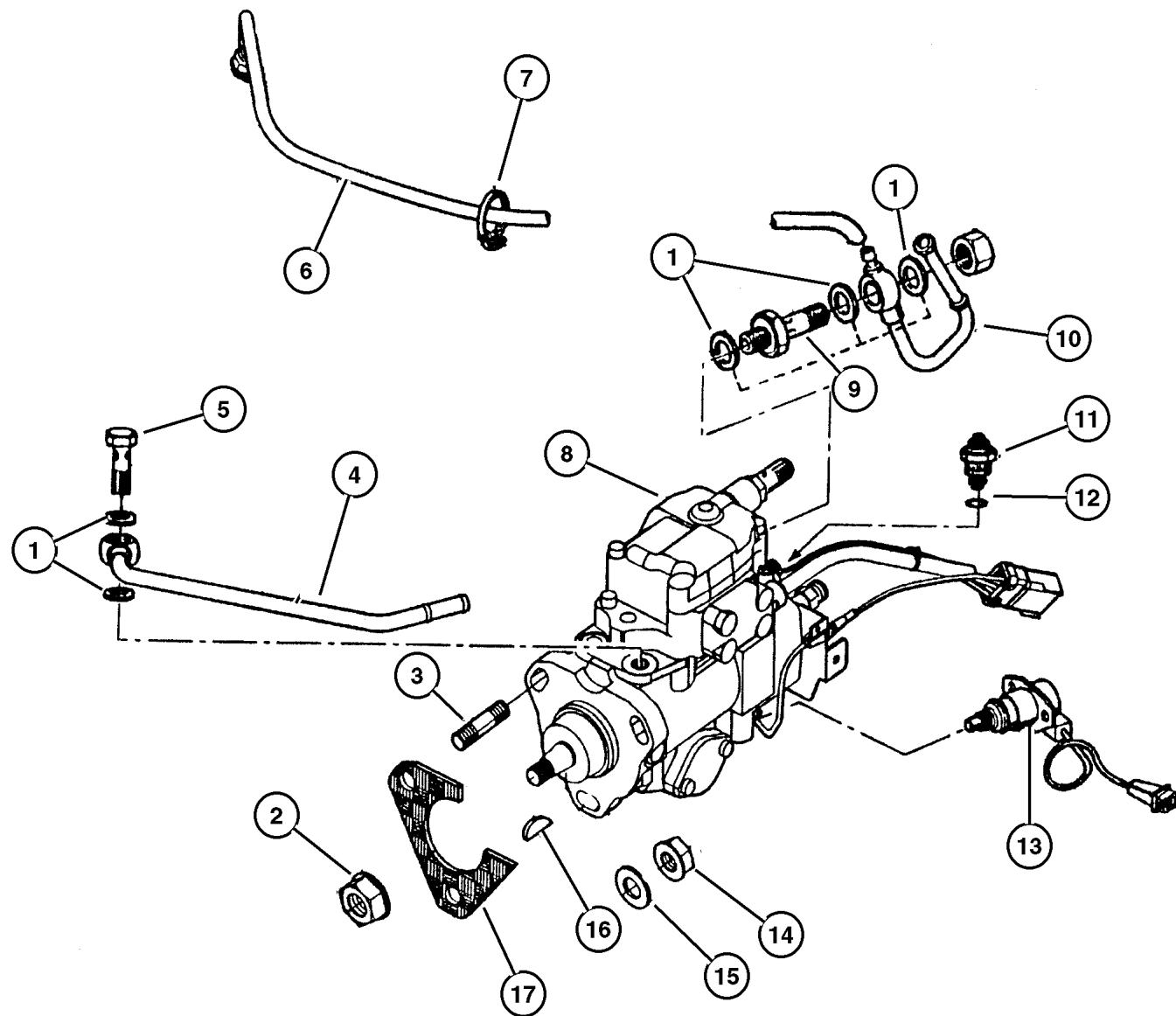
JEEP CHEROKEE (XJ)

SERIES	LINE	BODY	ENGINE	TRANSMISSION
P = Limited	J = LHD (4WD)	74=4 Dr. (101.4 WB)	ENC, EN0 = 2.5L 4 Cyl Turbo	DDD = 5 Speed Manual
S = Limited	U = RHD (4WD)	72=2 Dr. (101.4 WB)	ERH, ER0 = 4.0L Power Tech	DGS = 4 Speed Auto AISIN
H = Sport	T = LHD (2WD)			DG0 = All Automatic Trans
L = SE	B = RHD (2WD)			DBB = All Manual Trans

AR = Use as required - = Non illustrated part # = New this model year

May 2, 2002

Fuel Injection Pump 2.5 Diesel (ENC)
Figure 014-430



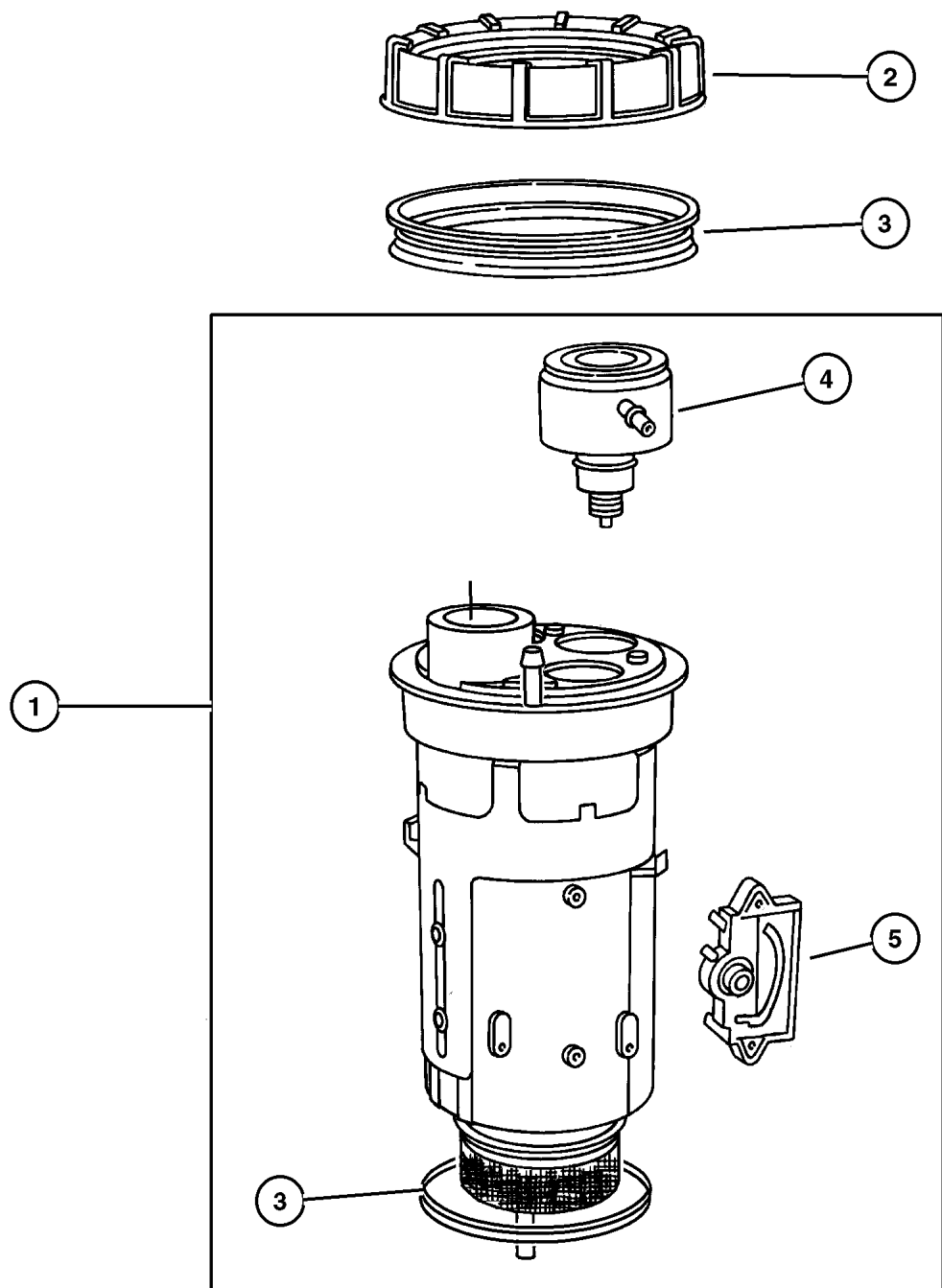
ITEM	PART NUMBER	QTY	LINE	SERIES	BODY	ENGINE	TRANS	DESCRIPTION
NOTE: EN0=All 2.5L Diesel Engines are on The Truck								
1	4720 703	5				EN0		WASHER, Plain
2	4883 402AA	1				EN0		NUT
3	4723 241	3				EN0		STUD
4	4886 307AA	1				EN0		BANJO, Fuel
5	4720 367	1				EN0		BOLT, Banjo
6	4720 190AB	1				EN0		PIPE, Fuel Spill Return
7	4728 184	3				EN0		CLIP, Spill Return Pipe
8	4883 459AA	1				EN0		PUMP, Fuel Injection
9	4874 444	1				EN0		VALVE, Flow Control
10	4864 579	1				EN0		BANJO, Fuel
11	4723 264	1				EN0		SOLENOID, Fuel Shut Off Valve
12	4723 266	1				EN0		O RING, Fuel Solenoid
13	4797 786	1				EN0		ADVANCE, Automatic Injection
14	4778 961	5				EN0		NUT
15	4720 193	3				EN0		WASHER, Flat
16	4720 198	1				EN0		KEY, Fuel Injection Pump
17	4720 196	1				EN0		GASKET, Injection Pump

JEEP CHEROKEE (XJ)				
SERIES	LINE	BODY	ENGINE	TRANSMISSION
P = Limited	J = LHD (4WD)	74=4 Dr. (101.4 WB)	ENC, EN0 = 2.5L 4 Cyl Turbo	DDD = 5 Speed Manual
S = Limited	U = RHD (4WD)	72=2 Dr. (101.4 WB)	ERH, ER0 = 4.0L Power Tech	DGS = 4 Speed Auto AISIN
H = Sport	T = LHD (2WD)			DG0 = All Automatic Trans
L = SE	B = RHD (2WD)			DBB = All Manual Trans

AR = Use as required - = Non illustrated part # = New this model year

May 2, 2002

**Fuel Pump and Sending Unit 2.5 Diesel (ENC), 4.0 (ERH)
Figure 014-510**



ITEM	PART NUMBER	QTY	LINE	SERIES	BODY	ENGINE	TRANS	DESCRIPTION
------	-------------	-----	------	--------	------	--------	-------	-------------

Note: Sales Codes: are on The Truck

EN0 = All Turbo Diesel Engines are on The Truck

EP0 = All 2.5L 4 Cyl Gas Engines are on The Truck

ER0 = All 4.0L 6 Cyl Gas Engines are on The Truck

1								MODULE PACKAGE, Fuel Tank
	5012 958AB	1				EN0		
	5012 953AB	1				EP0, ER0		
2								NUT, Fuel Pump Module
	5200 5389	1				EN0		
		1				EP0, ER0		
3								SEAL, Fuel Pump and Level Unit
	5201 8808	1				EN0		
		1				EP0, ER0		
4								FILTER, Fuel
	4723 905	1				EN0		
	5210 0053	1				EP0, ER0		
5								BOARD PACKAGE, Fuel Level Circuit
	5013 473AA	1				EP0, ER0		
		1				EN0		

JEEP CHEROKEE (XJ)

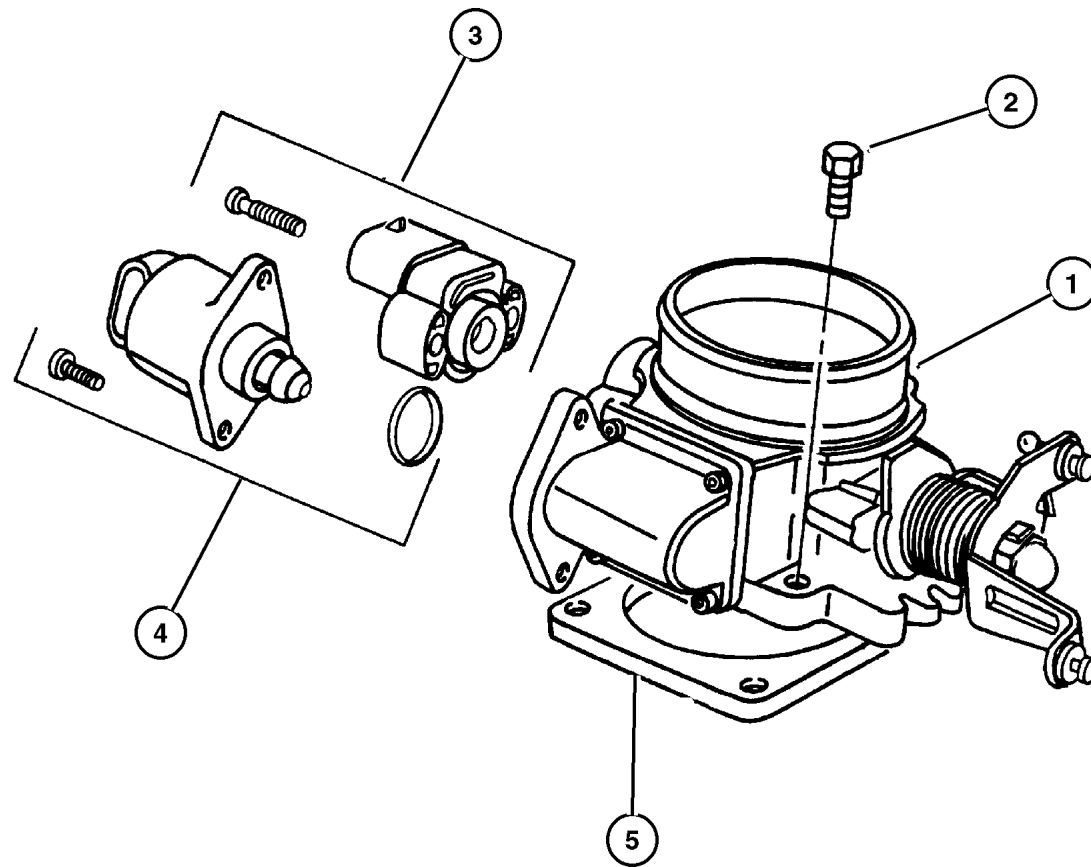
SERIES	LINE	BODY	ENGINE	TRANSMISSION
P = Limited	J = LHD (4WD)	74=4 Dr. (101.4 WB)	ENC, EN0 = 2.5L 4 Cyl Turbo	DDD = 5 Speed Manual
S = Limited	U = RHD (4WD)	72=2 Dr. (101.4 WB)	ERH, ER0 = 4.0L Power Tech	DGS = 4 Speed Auto AISIN
H = Sport	T = LHD (2WD)			DG0 = All Automatic Trans
L = SE	B = RHD (2WD)			DBB = All Manual Trans

AR = Use as required - = Non illustrated part # = New this model year

May 2, 2002

**Throttle Body 4.0 (ERH)
Figure 014-610**

ITEM	PART NUMBER	QTY	LINE	SERIES	BODY	ENGINE	TRANS	DESCRIPTION
NOTE: ER0=All 4.0L Engines are on The Truck								
1	53032 023AC	1				ER0		THROTTLE BODY
2	6503 929	4				ER0		SCREW AND WASHER, Coned Pilot, M6x1x30
3	4874 371AC	1				ER0		SENSOR, Throttle Position
4	4874 373AB	1				ER0		MOTOR, Air Idle Speed
5	5300 7543	1				ER0		GASKET, Throttle Body

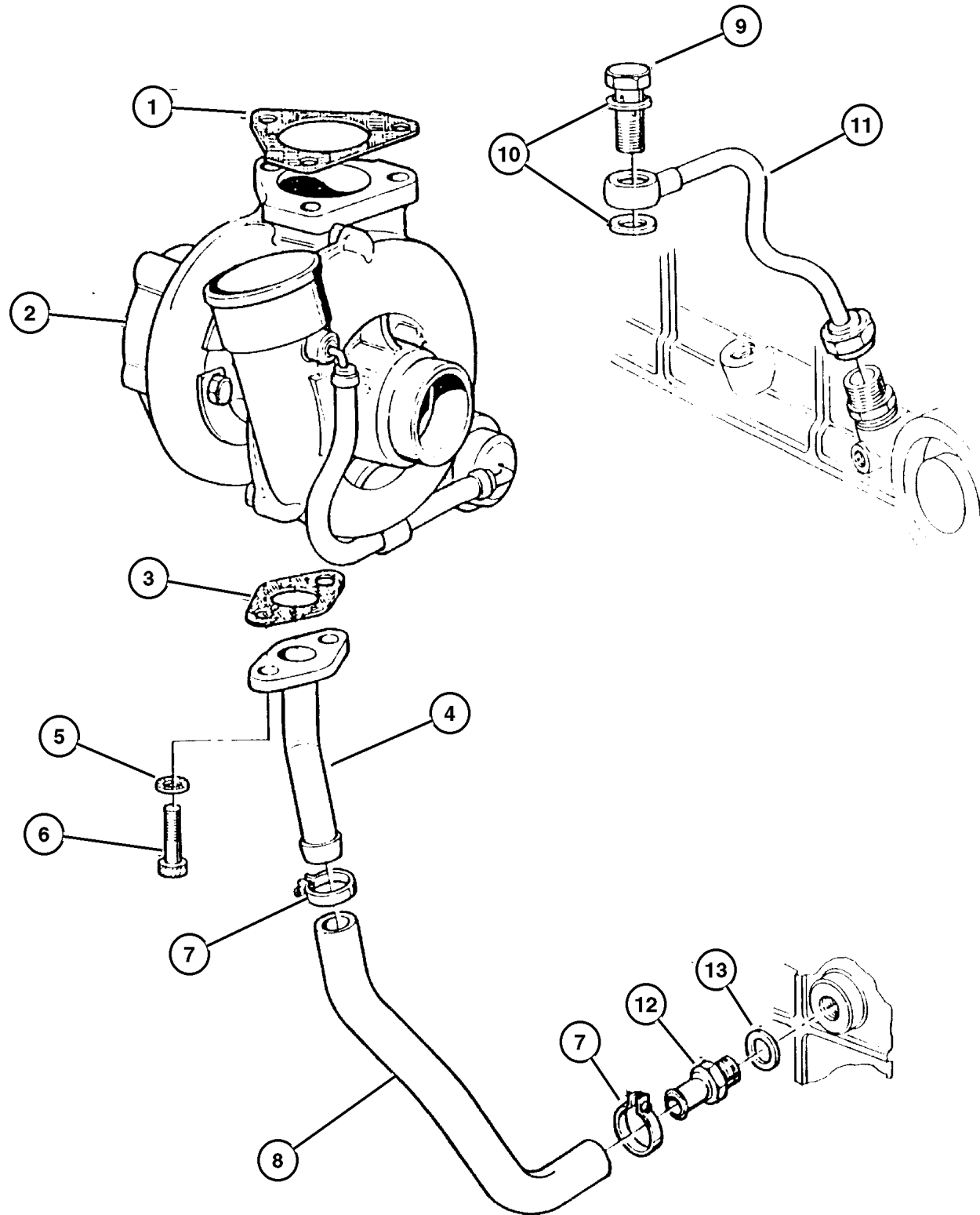


JEEP CHEROKEE (XJ)				
SERIES	LINE	BODY	ENGINE	TRANSMISSION
P = Limited	J = LHD (4WD)	74=4 Dr. (101.4 WB)	ENC, EN0 = 2.5L 4 Cyl Turbo	DDD = 5 Speed Manual
S = Limited	U = RHD (4WD)	72=2 Dr. (101.4 WB)	ERH, ER0 = 4.0L Power Tech	DGS = 4 Speed Auto AISIN
H = Sport	T = LHD (2WD)			DG0 = All Automatic Trans
L = SE	B = RHD (2WD)			DBB = All Manual Trans

AR = Use as required - = Non illustrated part # = New this model year

May 2, 2002

**Turbocharger 2.5 Diesel (ENC)
Figure 014-620**



ITEM	PART NUMBER	QTY	LINE	SERIES	BODY	ENGINE	TRANS	DESCRIPTION
NOTE: EN0=All 2.5L Diesel Engines are on The Truck								
1	4720 203AB	1				EN0		GASKET, Turbocharger To Manifold
2	4864 756	1				EN0		TURBOCHARGER
3	4796 007AB	1				EN0		GASKET, Turbo Oil Return Pipe
4	4796 008	1				EN0		PIPE, Oil Return
5	4720 305	2				EN0		WASHER, Plain
6	4728 186	2				EN0		BOLT, Oil Drain Pipe
7	4886 052AA	2				EN0		CLAMP, Heater Hose
8	4796 009	1				EN0		PIPE, Oil Return
9	4720 358	5				EN0		BOLT, Banjo
10	4720 703	2				EN0		WASHER, Plain
11	4796 400	1				EN0		PIPE, Oil Feed
12	4796 010	1				EN0		ADAPTER, Oil Delivery Tube
13	4797 784	1				EN0		WASHER, Plain, 16.2x19.9x1.5

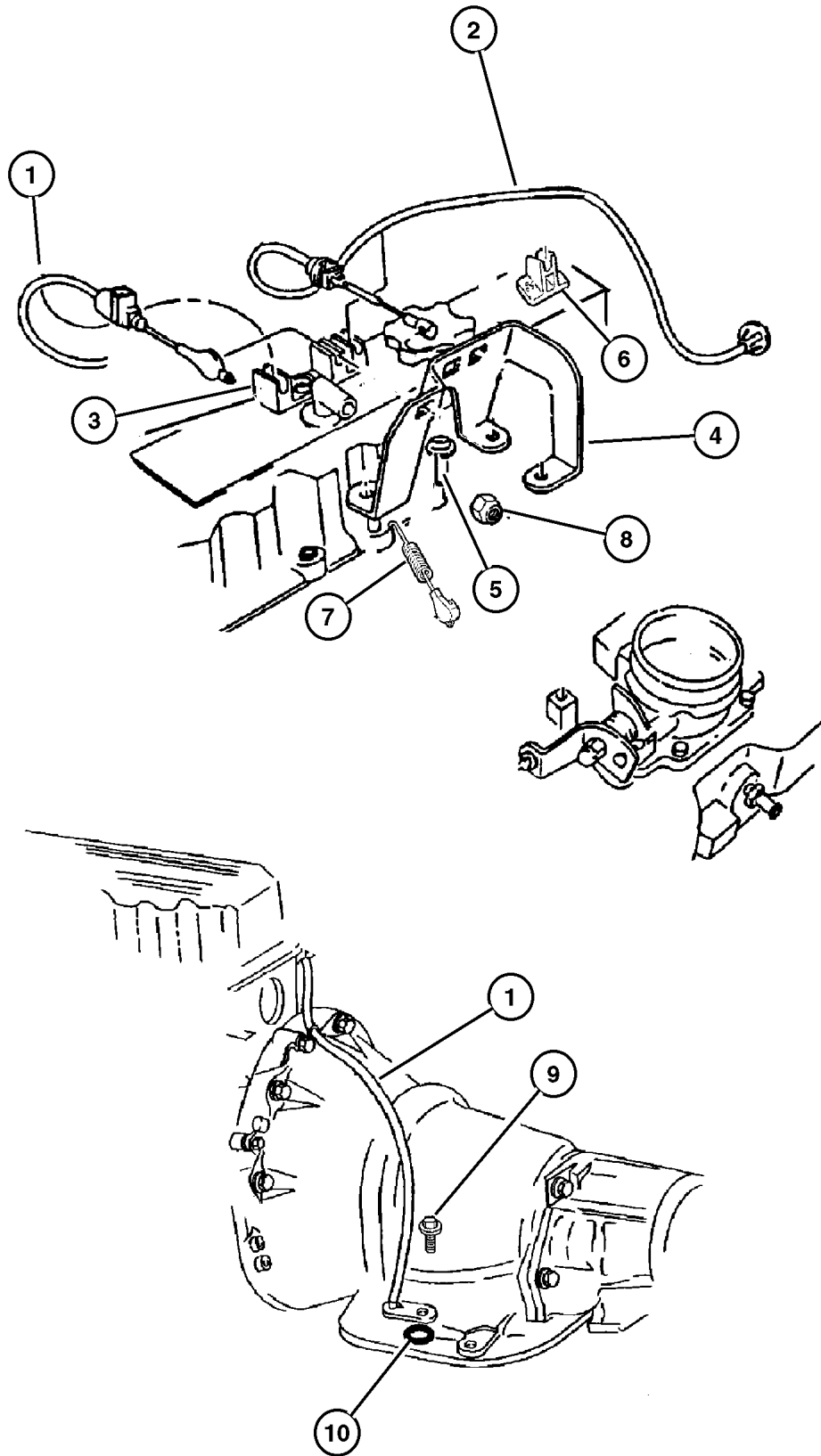
JEEP CHEROKEE (XJ)

SERIES	LINE	BODY	ENGINE	TRANSMISSION
P = Limited	J = LHD (4WD)	74=4 Dr. (101.4 WB)	ENC, EN0 = 2.5L 4 Cyl Turbo	DDD = 5 Speed Manual
S = Limited	U = RHD (4WD)	72=2 Dr. (101.4 WB)	ERH, ER0 = 4.0L Power Tech	DGS = 4 Speed Auto AISIN
H = Sport	T = LHD (2WD)			DG0 = All Automatic Trans
L = SE	B = RHD (2WD)			DBB = All Manual Trans

AR = Use as required - = Non illustrated part # = New this model year

May 2, 2002

**Throttle Controls 4.0 (ERH)
Figure 014-710**



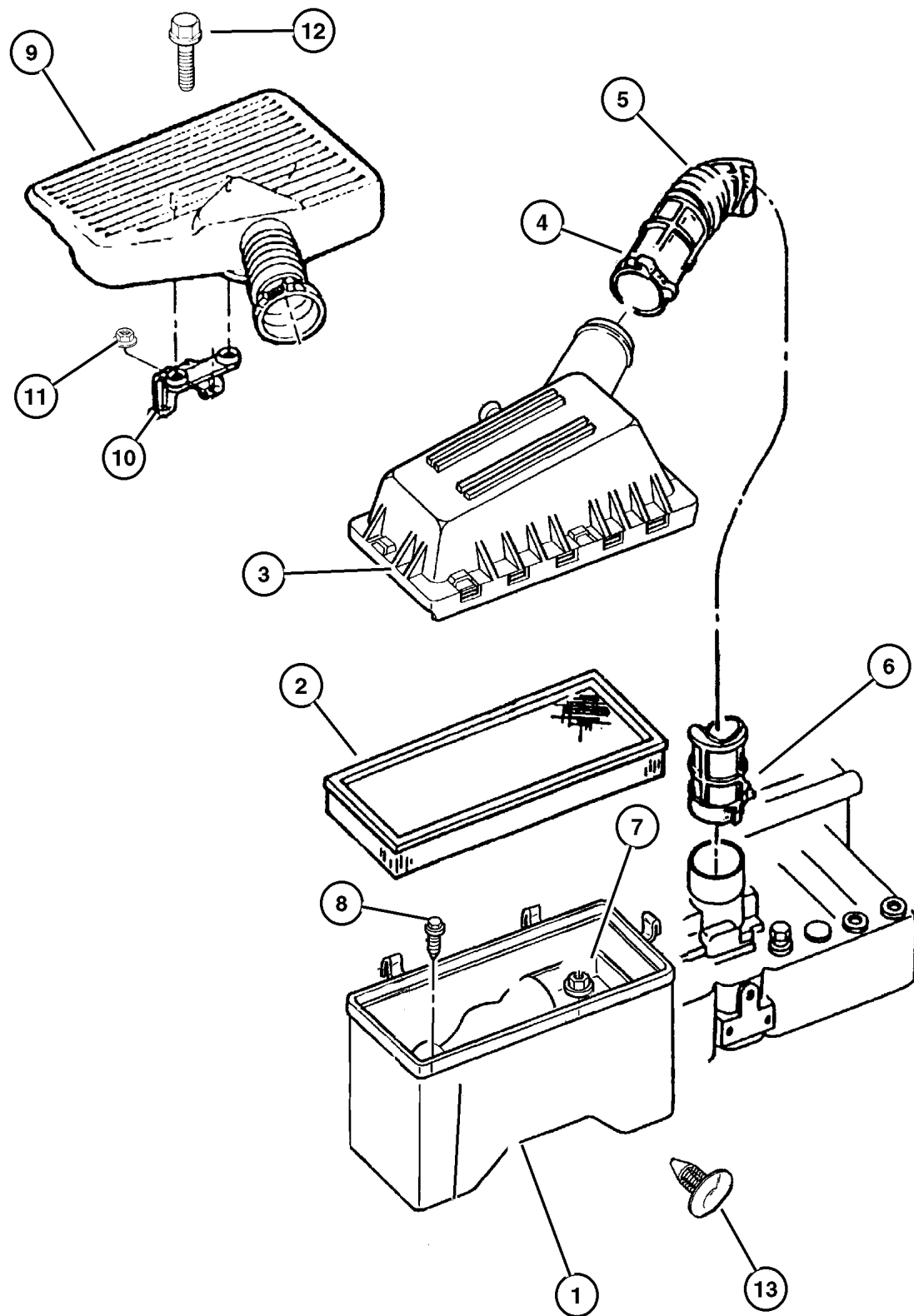
ITEM	PART NUMBER	QTY	LINE	SERIES	BODY	ENGINE	TRANS	DESCRIPTION
NOTE: ER0=All 4.0L Gas Engines are on The Truck DGS= Automatic Transmission are on The Truck DBB= Manual Transmission are on The Truck								
1	5207 7578	1	B, T				DGS	CABLE, Throttle Control
		1	J, U				DGS	
2	5207 9109	1	B, U			ER0		CABLE, Accelerator
	5207 9504	1	J, T			ER0		
3	5207 9029	1				ER0		GUIDE, Accelerator Cable
4	53013 160AA	1				ER0		BRACKET, Accelerator Cable
5	6501 979	2				ER0		SCREW AND WASHER, Hex Head, M6x1x17
6	5207 8987	1	J, T			ER0		GUIDE, Accelerator Cable
7	52078 102AB	1				ER0	DBB	SPRING, Throttle Return
8	6503 825	2				ER0		NUT AND WASHER, Hex Nut-Coned Washer, M6 x 1.00
9								SCREW AND CONED WASHER, Hex Head, M6x1.00x16.00
	3420 1808	2	B, T				DGS	
		2	J, U				DGS	
10	8350 3708	1	J, U				DGS	O RING, Throttle Cable
		1	B, T				DGS	

JEEP CHEROKEE (XJ)				
SERIES	LINE	BODY	ENGINE	TRANSMISSION
P = Limited	J = LHD (4WD)	74=4 Dr. (101.4 WB)	ENC, EN0 = 2.5L 4 Cyl Turbo	DDD = 5 Speed Manual
S = Limited	U = RHD (4WD)	72=2 Dr. (101.4 WB)	ERH, ER0 = 4.0L Power Tech	DGS = 4 Speed Auto AISIN
H = Sport	T = LHD (2WD)			DG0 = All Automatic Trans
L = SE	B = RHD (2WD)			DBB = All Manual Trans

AR = Use as required - = Non illustrated part # = New this model year

May 2, 2002

**Air Cleaner 4.0 (ERH)
Figure 014-810**



ITEM	PART NUMBER	QTY	LINE	SERIES	BODY	ENGINE	TRANS	DESCRIPTION
NOTE: ER0=All 4.0L Engines are on The Truck								
1	4854 153AC	1				ER0		BODY, Air Cleaner
2	5300 4383	1				ER0		FILTER, Air
3	5303 0707	1				ER0		COVER, Air Cleaner
4	5300 6584	1				ER0		CLAMP, Hose to Air Cleaner
5	5300 6275	1				ER0		HOSE, Air Cleaner to T/Body
6	5300 6273	1				ER0		CLAMP, Air Cleaner Duct
7	6501 291	1				ER0		NUT AND WASHER, Hex Nut-Coned Washer, M8 x 1.25
8								SCREW, M8x1.25x30, (NOT SERVICED)
9	5303 0797	1				ER0		RESONATOR, Air Cleaner, European
10	5303 0796	1				ER0		BRACKET, Resonator, European
11	6033 560	2				ER0		NUT AND WASHER, Hex Nut-Coned Washer, .25-20, European
12								BOLT AND CONED WASHER, Hex Head, M6x30x20, European , (NOT SERVICED)
13	6030 441	2						PIN, Retainer

JEEP CHEROKEE (XJ)

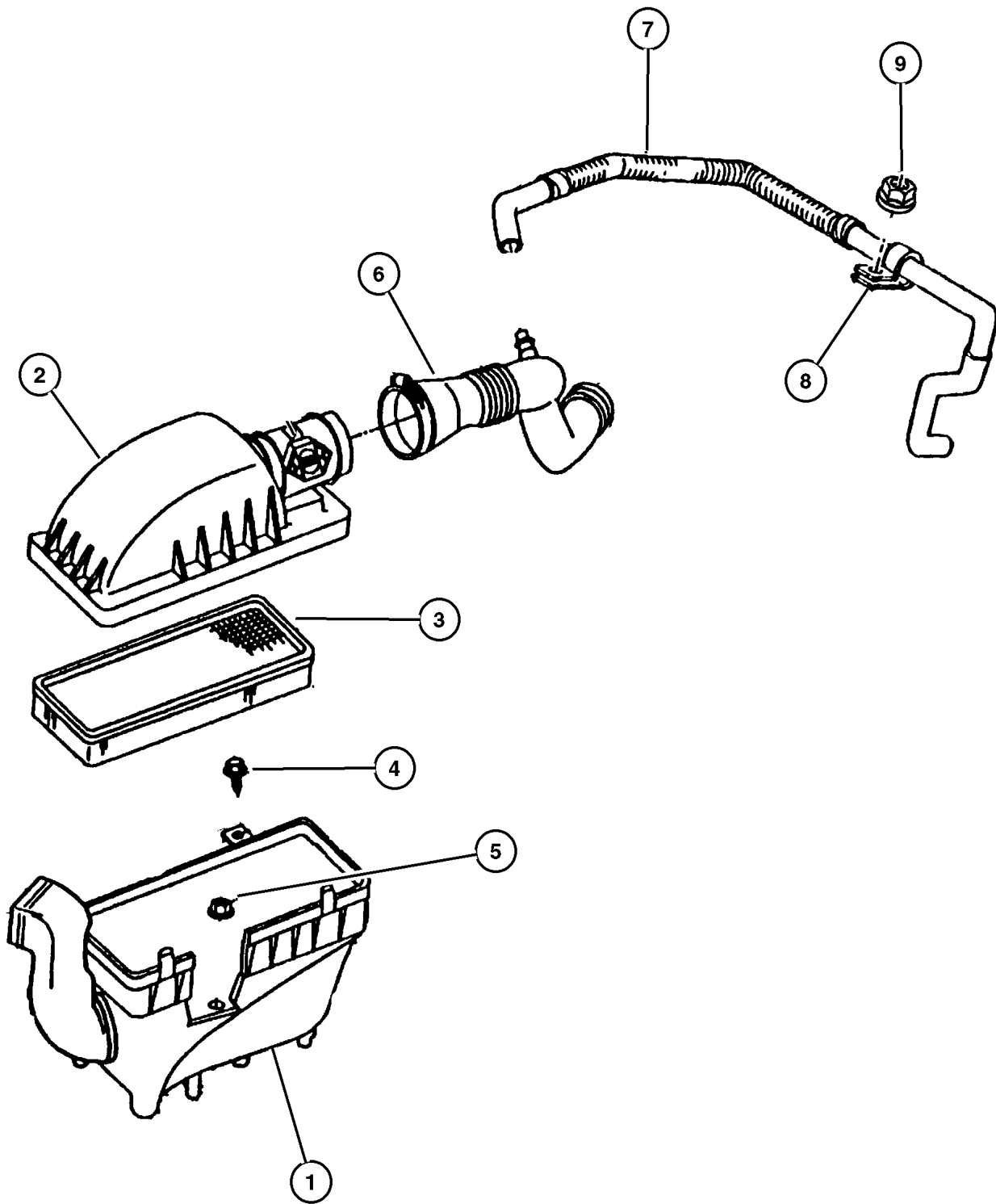
SERIES	LINE	BODY	ENGINE	TRANSMISSION
P = Limited	J = LHD (4WD)	74=4 Dr. (101.4 WB)	ENC, EN0 = 2.5L 4 Cyl Turbo	DDD = 5 Speed Manual
S = Limited	U = RHD (4WD)	72=2 Dr. (101.4 WB)	ERH, ER0 = 4.0L Power Tech	DGS = 4 Speed Auto AISIN
H = Sport	T = LHD (2WD)			DG0 = All Automatic Trans
L = SE	B = RHD (2WD)			DBB = All Manual Trans

AR = Use as required - = Non illustrated part # = New this model year

May 2, 2002

**Air Cleaner 2.5 Diesel (ENC)
Figure 014-820**

ITEM	PART NUMBER	QTY	LINE	SERIES	BODY	ENGINE	TRANS	DESCRIPTION
NOTE:ENO= All 2.5L Diesel Engines are on The Truck								
1	5303 1036	1				ENO		BODY, Air Cleaner
2	53013 242AA	1				ENO		COVER, Air Cleaner
3	5303 0730	1				ENO		ELEMENT, Air Cleaner
4	6035 668	1				ENO		SCREW AND WASHER, Hex Head Tapping, .25-14x1
5	6501 291	1				ENO		NUT AND WASHER, Hex Nut-Coned Washer, M8 x 1.25
6	5303 0696	1				ENO		HOSE, Air Induction
7	4854 047	1				ENO		TUBE, Oil Separator Drain
8	J400 7577	1				ENO		CLIP
9	3420 1358	1	J, T			ENO		NUT AND WASHER, Hex Nut-Sealing Washer, M6 x 1.00



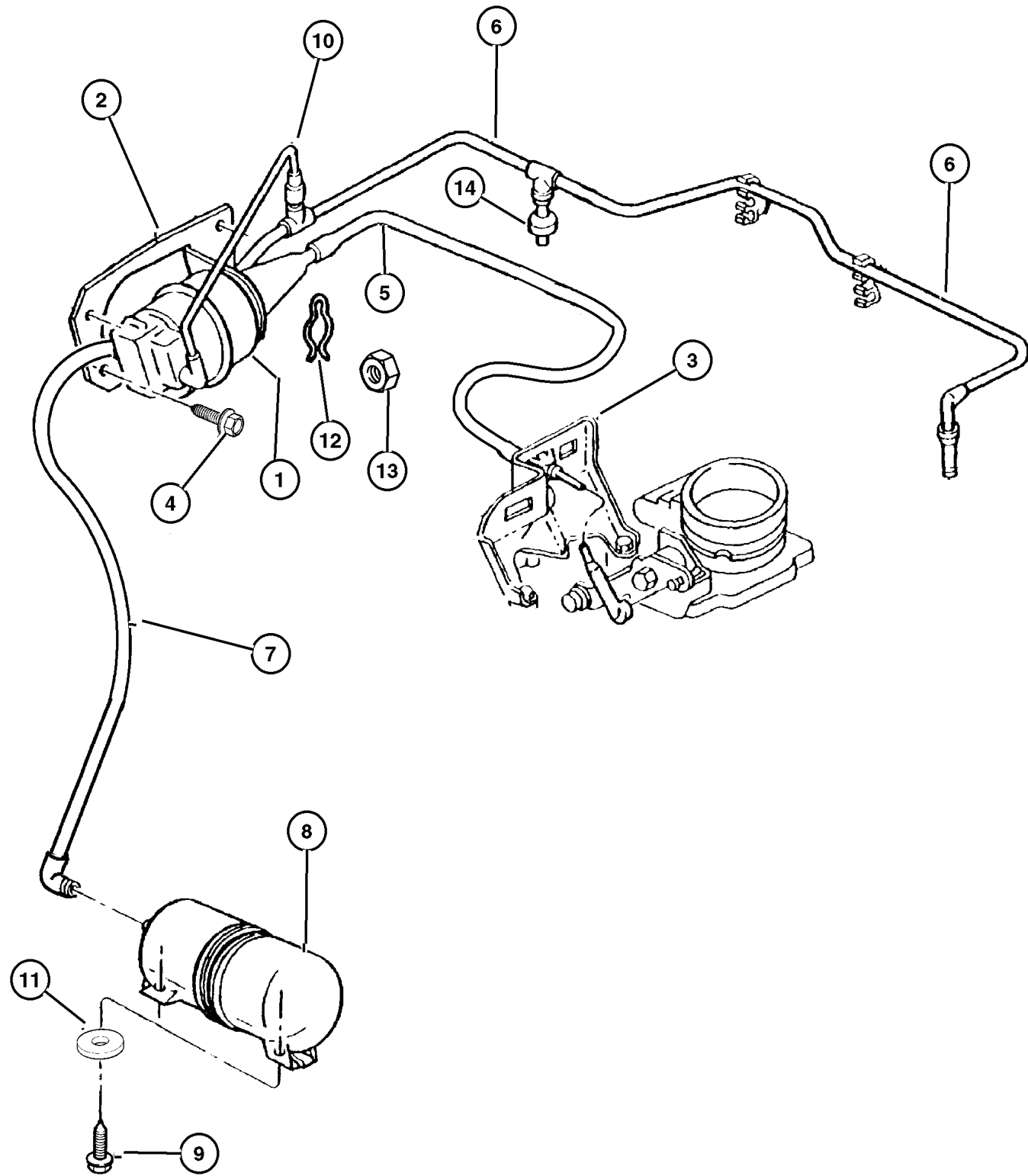
JEEP CHEROKEE (XJ)

SERIES	LINE	BODY	ENGINE	TRANSMISSION
P = Limited	J = LHD (4WD)	74=4 Dr. (101.4 WB)	ENC, EN0 = 2.5L 4 Cyl Turbo	DDD = 5 Speed Manual
S = Limited	U = RHD (4WD)	72=2 Dr. (101.4 WB)	ERH, ER0 = 4.0L Power Tech	DGS = 4 Speed Auto AISIN
H = Sport	T = LHD (2WD)			DG0 = All Automatic Trans
L = SE	B = RHD (2WD)			DBB = All Manual Trans

AR = Use as required - = Non illustrated part # = New this model year

May 2, 2002

**Speed Control 4.0 (ERH)
Figure 014-1010**



ITEM	PART NUMBER	QTY	LINE	SERIES	BODY	ENGINE	TRANS	DESCRIPTION
Note: Sales Codes: are on The Truck								
ENO = All Turbo Diesel Engines are on The Truck								
EPO = All 2.5L 4 Cyl Gas Engines are on The Truck								
ER0 = All 4.0L 6 Cyl Gas Engines are on The Truck								
1								SERVO, Speed Control
	4669 979	1	J, T			ER0		
		1	B, U			ER0		
2	5300 7958	1	J, T			ER0		BRACKET, Speed Control Servo
3	53013 160AA	1				ER0		BRACKET, Accelerator Cable
4	6035 322	3	J, T			ER0		SCREW
5								CABLE, Speed Control
	4854 001	1	J, T			ER0		
	5303 0839	1	B, U			ER0		
6	55037 565AB	1	J, T			ER0		VACUUM HARNESS, Heater and A/C
7	55037 566AA	1	B, U			ER0		HOSE AND VALVE, Vacuum
8	5503 5902	1				EPO, ER0		RESERVOIR, Speed Control Vacuum
9	3420 1895	2						SCREW, Hex Head Tapping, M6.3x1.81x16.00
10	5207 8082	1	J, T			ER0		HARNESS, Speed Control Vacuum
11								WASHER, (NOT SERVICED)
12								CLIP, Cable to Servo Attach
	6025 867	1	J, T			ER0		
		1	B, U			ER0		
13								NUT, Hex Flange Serration, M6x1
	6502 493	2	J, T			ER0		
		2	B, U			ER0		
14	5503 6541	1	B, U			ER0		VALVE, Check, 1/4, Also Serviced in Hose Assembly

JEEP CHEROKEE (XJ)

SERIES	LINE	BODY	ENGINE	TRANSMISSION
P = Limited	J = LHD (4WD)	74=4 Dr. (101.4 WB)	ENC, EN0 = 2.5L 4 Cyl Turbo	DDD = 5 Speed Manual
S = Limited	U = RHD (4WD)	72=2 Dr. (101.4 WB)	ERH, ER0 = 4.0L Power Tech	DGS = 4 Speed Auto AISIN
H = Sport	T = LHD (2WD)			DG0 = All Automatic Trans
L = SE	B = RHD (2WD)			DBB = All Manual Trans

AR = Use as required - = Non illustrated part # = New this model year

May 2, 2002

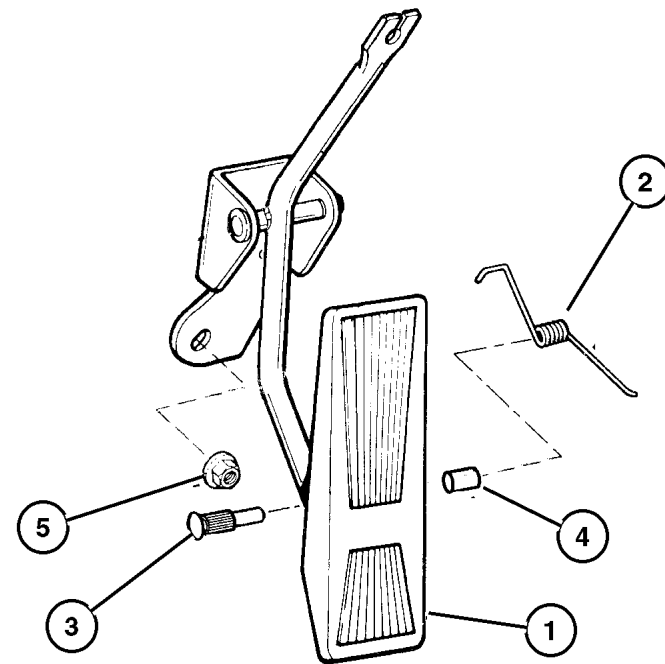
**Accelerator Pedal 2.5 Diesel (ENC) and 4.0 (ERH)
Figure 014-1110**

ITEM	PART NUMBER	QTY	LINE	SERIES	BODY	ENGINE	TRANS	DESCRIPTION
------	-------------	-----	------	--------	------	--------	-------	-------------

Note: Sales Codes: are on The Truck

EN0 = All Turbo Diesel Engines are on The Truck
 EP0 = All 2.5L 4 Cyl Gas Engines are on The Truck
 ER0 = All 4.0L 6 Cyl Gas Engines are on The Truck

1								PEDAL, Accelerator
	5207 9207	1	B, U			ER0		
	5207 9206	1	J, T			ER0		
	5207 9117	1	B, U			EN0		No Components Available
	5207 9216	1	J, T			EN0		No Components Available
2								SPRING, Torsion
	5303 0874	1	J, T			ER0		
		1	B, U			ER0		
3								PIN, Accelerator Pedal Mtg.
	5207 9019	1	J, T			ER0		
		1	B, U			ER0		
4								BUSHING, Accelerator Pedal
	5207 8653	2	J, T			ER0		
		2	B, U			ER0		
5	1150 3745	2				EN0, EP0, ER0		NUT, Hex, M6x1



JEEP CHEROKEE (XJ)

SERIES	LINE	BODY	ENGINE	TRANSMISSION
P = Limited	J = LHD (4WD)	74=4 Dr. (101.4 WB)	ENC, EN0 = 2.5L 4 Cyl Turbo	DDD = 5 Speed Manual
S = Limited	U = RHD (4WD)	72=2 Dr. (101.4 WB)	ERH, ER0 = 4.0L Power Tech	DGS = 4 Speed Auto AISIN
H = Sport	T = LHD (2WD)			DG0 = All Automatic Trans
L = SE	B = RHD (2WD)			DBB = All Manual Trans

AR = Use as required - = Non illustrated part # = New this model year

May 2, 2002

Group – 016

Propeller Shafts and U-Joints

GROUP 16 - Propeller Shafts and U-Joints

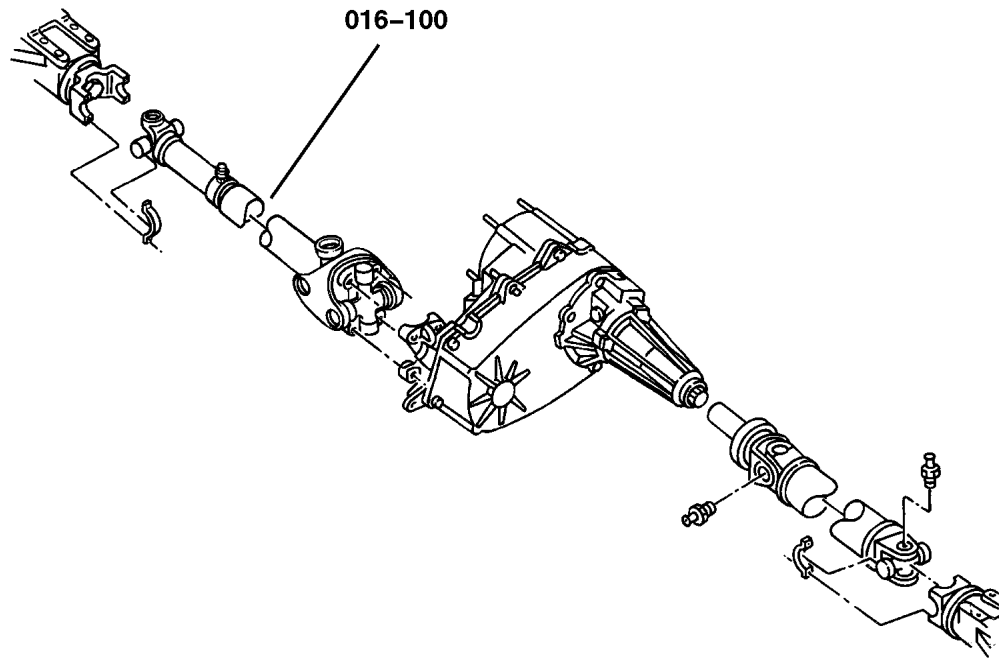
Illustration Title

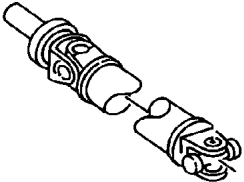
Group-Fig. No.

Propeller Shaft

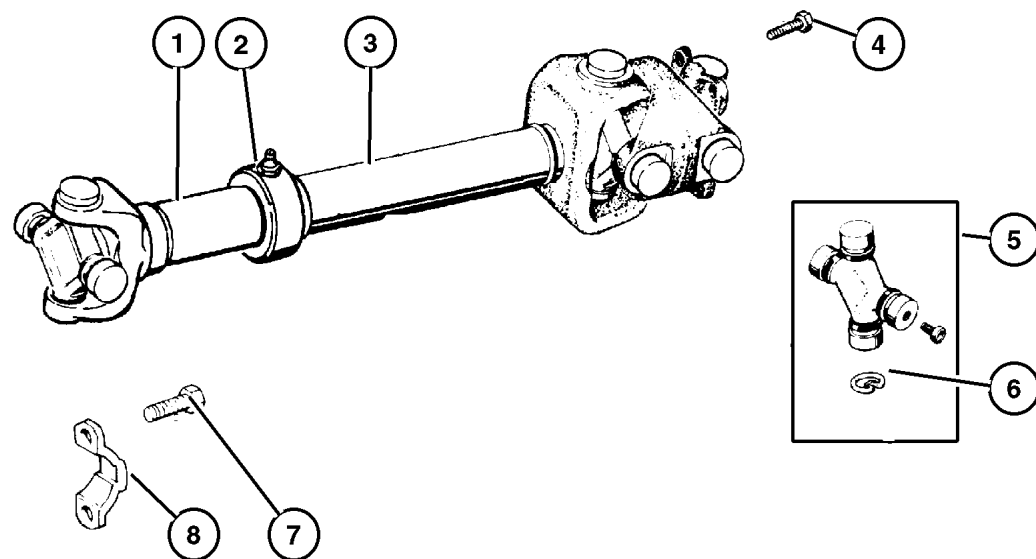
Propeller Shaft,Front Fig. 016-110

Propeller Shaft,Rear Fig. 016-120



<p>016-100 Propeller Shaft</p> 			
---	--	--	--

**Propeller Shaft,Front
Figure 016-110**



ITEM	PART NUMBER	QTY	LINE	SERIES	BODY	ENGINE	TRANS	DESCRIPTION
Note: Sales Codes; are on The Truck								
DBB= Transmissions - All Manual are on The Truck								
DG0 = Transmissions - All Automatic are on The Truck								
EN0=Engines - All 4/5 Cylinder Turbo Diesel are on The Truck								
EP0=Engines -All 2.5L 4 Cylinder Gas are on The Truck								
ER0=Engines - All 4.0L 6 Cylinder Gas are on The Truck								
1	8350 1594	1	J, U			EN0		YOKE, Drive Shaft
		1	J, U			ER0	DG0	
2	8350 1595	1	J, U			EN0		SEAL, Drive Shaft Yoke
		1	J, U			ER0	DG0	
		1	J, U			ER0	DBB	
3	52098 208AC	1	J, U			EN0		SHAFT, Front Drive
	53005 542AC	1	J, U			ER0	DG0	
	53005 543AC	1	J, U			ER0	DBB	
4	6036 147AA	4	J, U					BOLT, .312-24x1.170, Drive Shaft to Transfer Case Yoke, Mounting U JOINT
5	4882 793	3	J, U			EN0		As Required
		1	J, U			ER0	DG0	As Required
		1	J, U			ER0	DBB	
6	J320 7886	4	J, U			EN0		RING, U Joint
		4	J, U			ER0	DG0	
		4	J, U			ER0	DBB	
7	J400 6928	4	J, U					BOLT, Drive Shaft to Front Axle Yoke, Mounting
8	J324 0553	2	J, U					STRAP, Prop Shaft, Drive Shaft to Front Axle Yoke, Mounting

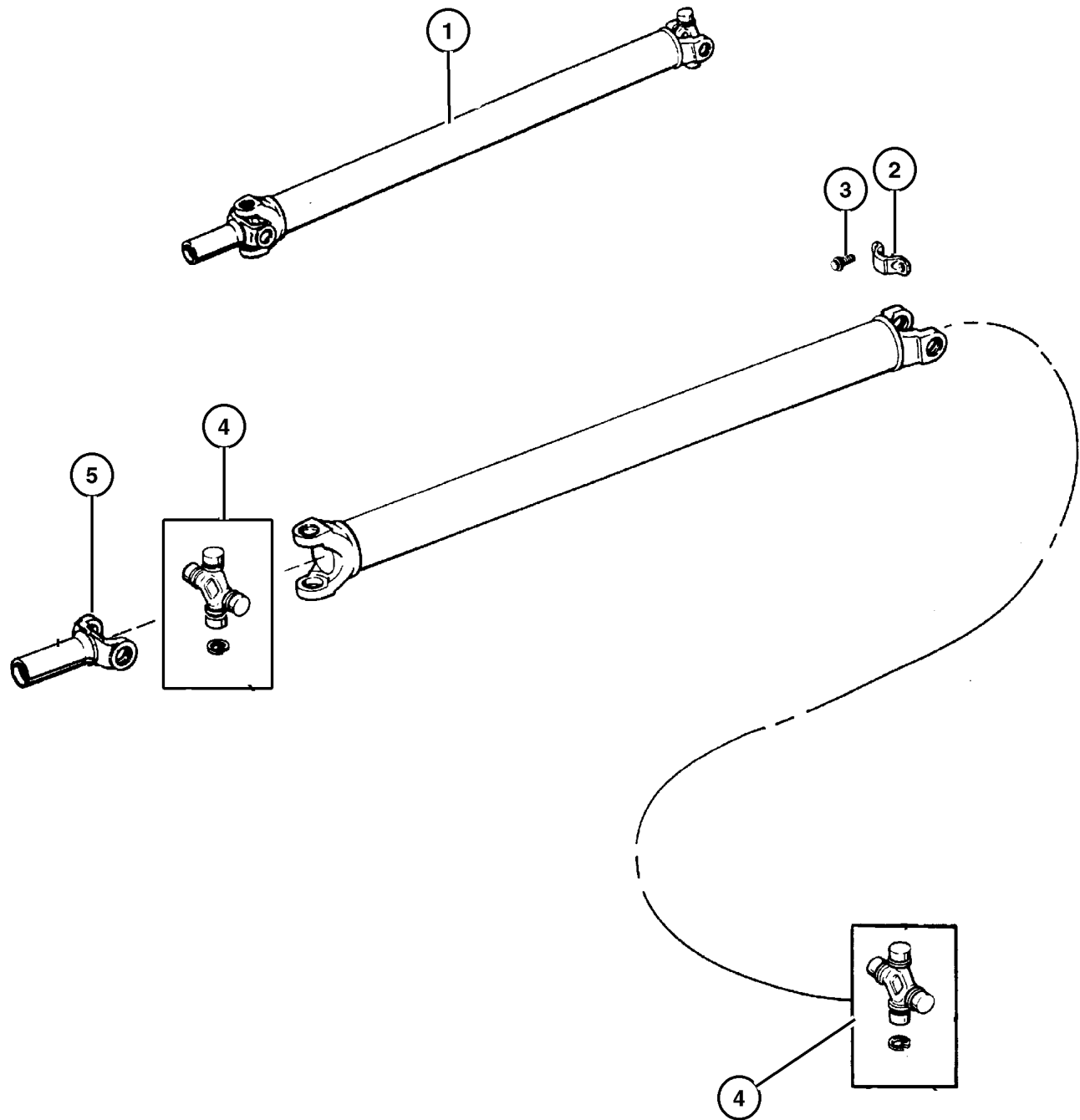
JEEP CHEROKEE (XJ)

SERIES	LINE	BODY	ENGINE	TRANSMISSION
P = Limited	J = LHD (4WD)	74=4 Dr. (101.4 WB)	ENC, EN0 = 2.5L 4 Cyl Turbo	DDD = 5 Speed Manual
S = Limited	U = RHD (4WD)	72=2 Dr. (101.4 WB)	ERH, ER0 = 4.0L Power Tech	DGS = 4 Speed Auto AISIN
H = Sport	T = LHD (2WD)			DG0 = All Automatic Trans
L = SE	B = RHD (2WD)			DBB = All Manual Trans

AR = Use as required - = Non illustrated part # = New this model year

May 2, 2002

**Propeller Shaft,Rear
Figure 016-120**



ITEM	PART NUMBER	QTY	LINE	SERIES	BODY	ENGINE	TRANS	DESCRIPTION
------	-------------	-----	------	--------	------	--------	-------	-------------

Note: Sales Codes; are on The Truck
 DBB= Transmissions - All Manual are on The Truck
 DG0 = Transmissions - All Automatic are on The Truck
 DHN =Command-Trac Part Time 4WD System are on The Truck
 DRA= Axle - Rear, Corporate 8.25 are on The Truck
 DRJ= Axle - Rear, Dana M35/194MM RBI are on The Truck
 DRM= Axle - Rear, Dana 35C/194MM are on The Truck
 EN0=Engines - All 4/5 Cylinder Turbo Diesel are on The Truck
 EP0=Engines -All 2.5L 4 Cylinder Gas are on The Truck
 ER0=Engines - All 4.0L 6 Cylinder Gas are on The Truck

1								SHAFT, Drive
	5209 9422	1	J, U			EN0	DBB	[DRJ,DRM,DHN]
	52098 732AC	1	J, U			ER0	DBB	[DRA]
	52098 814AB	1	J, U			ER0	DG0	[DRA]
	5209 8851	1	J, U			ER0	DBB	[DRJ]
	52098 731AC	1	J, U			ER0	DG0	[DRJ,DRM]
	52111 152AC	1	B, T			ER0	DBB	[DRA]
	5209 9056	1	B, T			ER0	DG0	[DRA]
	52111 153AC	1	B, T			ER0	DBB	[DRJ,DRM]
	5209 9064	1	B, T			ER0	DG0	[DRJ,DRM]
2	J324 0553	2						STRAP, Prop Shaft
3	J400 6928	4						BOLT
4								U JOINT
	5014 733AA	1	J, U			EN0	DBB	[DRJ,DRM,DHN], Front
	4882 793	1	J, U			EN0	DBB	[DRJ,DRM,DHN], Rear
		2	J, U			ER0	DBB	[DRA], Front or Rear
		2	J, U			ER0	DG0	[DRA], Front or Rear
	5014 733AA	1	J, U			ER0	DBB	[DRJ], Front
	4882 793	1	J, U			ER0	DBB	[DRJ], Rear
		2	J, U			ER0	DG0	[DRJ,DRM], Front or Rear
	5015 694AA	1	B, T			ER0	DBB	[DRA], Front or Rear
	4882 793	2	B, T			ER0	DG0	[DRA], Front or Rear
	5015 694AA	1	B, T			ER0	DBB	[DRJ,DRM], Front or Rear
	4882 793	2	B, T			ER0	DG0	[DRJ,DRM], Front or Rear
5								YOKE, Drive Shaft
	5012 918AA	1	J, U			EN0	DBB	[DRJ,DRM,DHN]
	4882 714	1	J, U			ER0	DBB	[DRA]
		1	J, U			ER0	DG0	[DRA]
		1	J, U			ER0	DBB	[DRJ]
		1	J, U			ER0	DG0	[DRJ,DRM]
	5018 320AA	1	B, T			ER0	DBB	[DRA]
	8350 3593	1	B, T			ER0	DG0	[DRA]

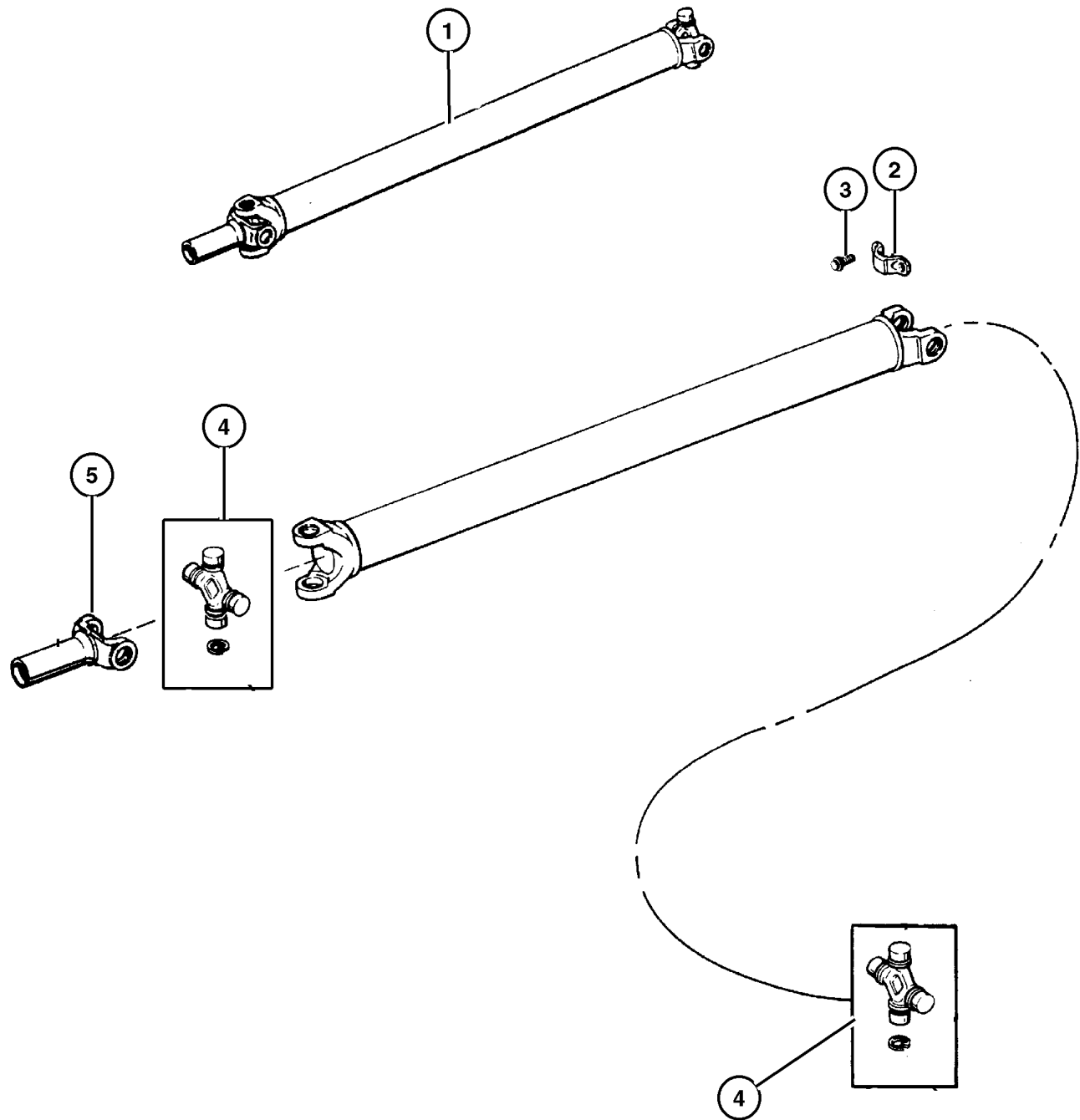
JEEP CHEROKEE (XJ)				
SERIES	LINE	BODY	ENGINE	TRANSMISSION
P = Limited	J = LHD (4WD)	74=4 Dr. (101.4 WB)	ENC, EN0 = 2.5L 4 Cyl Turbo	DDD = 5 Speed Manual
S = Limited	U = RHD (4WD)	72=2 Dr. (101.4 WB)	ERH, ER0 = 4.0L Power Tech	DGS = 4 Speed Auto AISIN
H = Sport	T = LHD (2WD)			DG0 = All Automatic Trans
L = SE	B = RHD (2WD)			DBB = All Manual Trans

AR = Use as required - = Non illustrated part # = New this model year

May 2, 2002

**Propeller Shaft,Rear
Figure 016-120**

ITEM	PART NUMBER	QTY	LINE	SERIES	BODY	ENGINE	TRANS	DESCRIPTION
	5018 320AA	1	B, T			ER0	DBB	[DRJ,DRM]
	8350 3593	1	B, T			ER0	DG0	[DRJ,DRM]



JEEP CHEROKEE (XJ)			
SERIES	LINE	BODY	ENGINE
P = Limited	J = LHD (4WD)	74=4 Dr. (101.4 WB)	ENC, EN0 = 2.5L 4 Cyl Turbo
S = Limited	U = RHD (4WD)	72=2 Dr. (101.4 WB)	ERH, ER0 = 4.0L Power Tech
H = Sport	T = LHD (2WD)		
L = SE	B = RHD (2WD)		

TRANSMISSION
DDD = 5 Speed Manual
DGS = 4 Speed Auto AISIN
DG0 = All Automatic Trans
DBB = All Manual Trans

AR = Use as required - = Non illustrated part # = New this model year

May 2, 2002

Group - 017

Rear Suspension

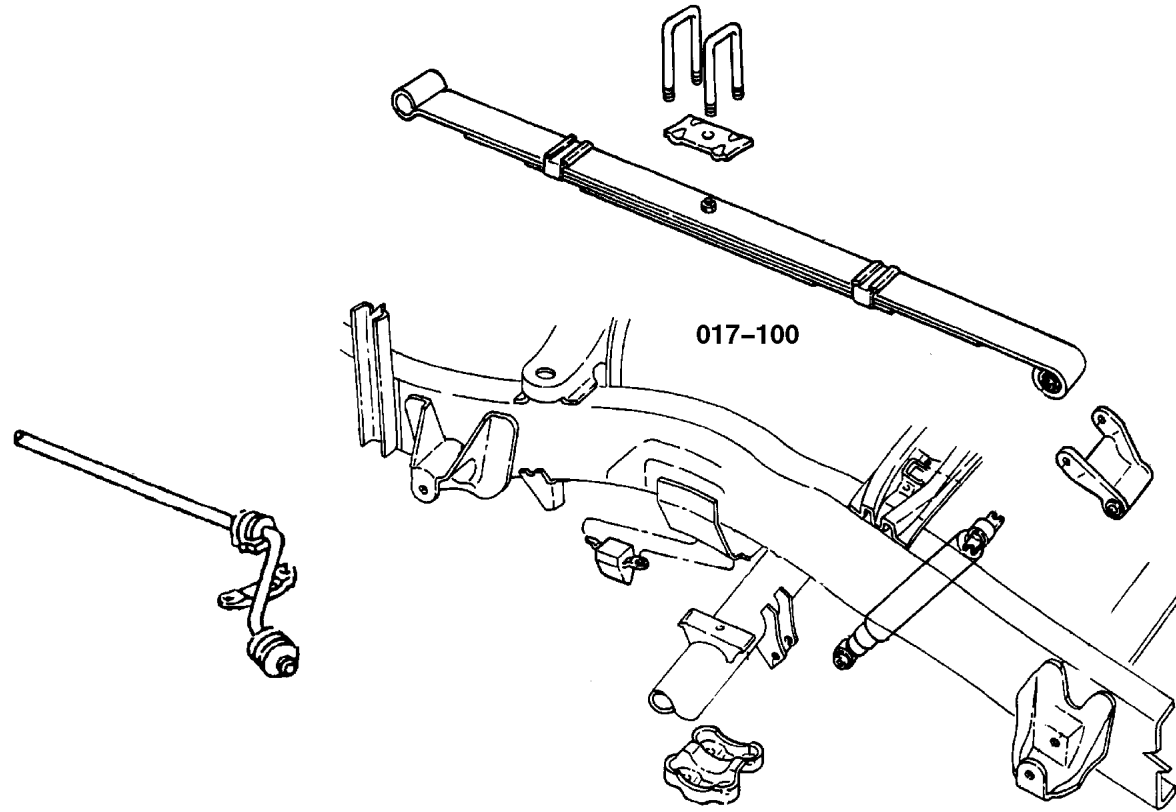
GROUP 17 - Rear Suspension

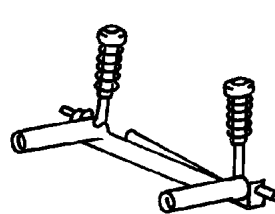
Illustration Title

Group-Fig. No.

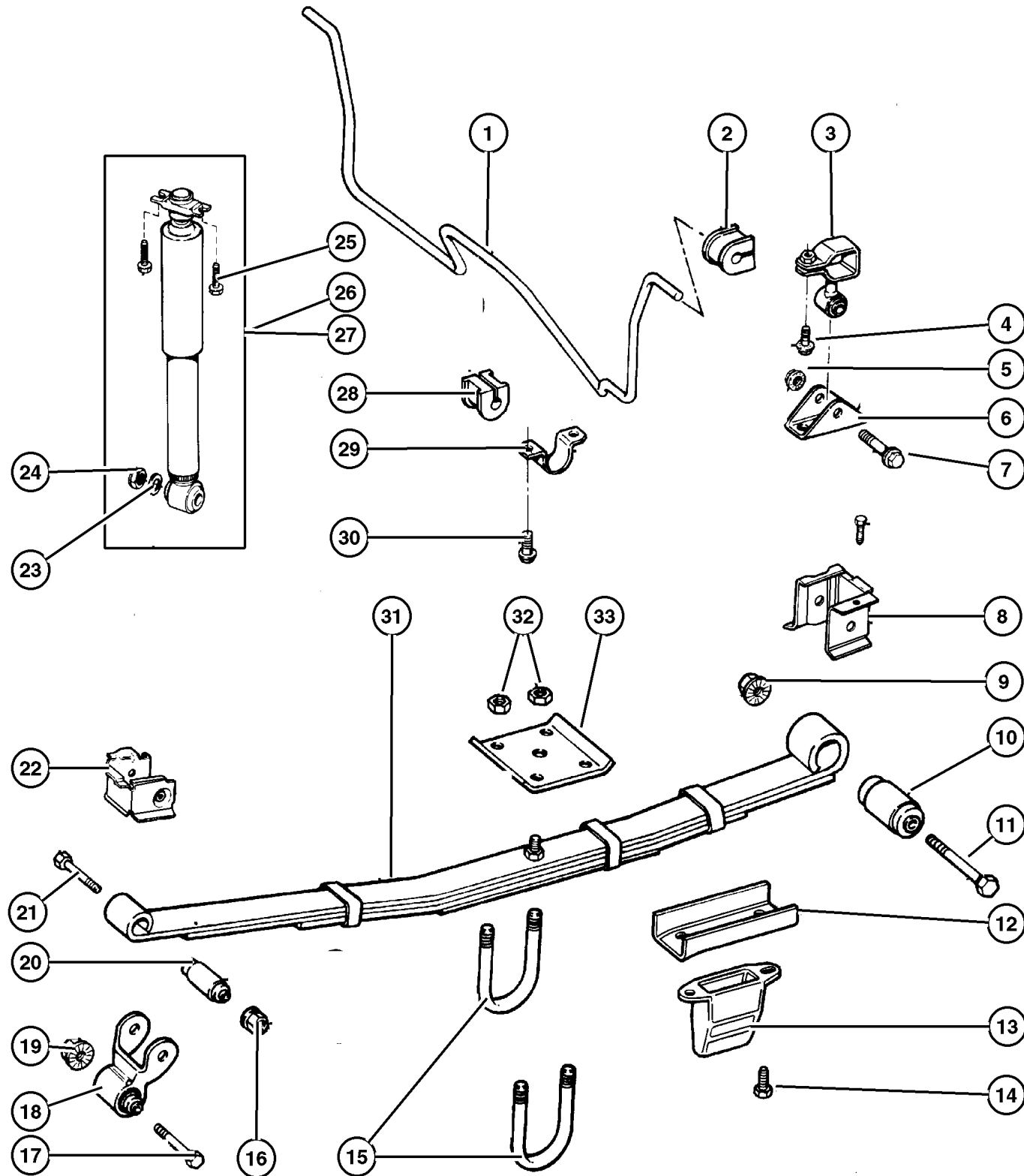
Rear Suspension

Suspension, Rear and Shock Absorber Fig. 017-110



<p>017-100 Rear Suspension</p> 			
--	--	--	--

Suspension, Rear and Shock Absorber Figure 017-110



ITEM	PART NUMBER	QTY	LINE	SERIES	BODY	ENGINE	TRANS	DESCRIPTION
Note: DRA=8.25 Corporate Axle---DRJ=Dana M35 Axle---DRM=Dana M35C Axle---SDA=Normal Duty Suspension---SDB=Heavy Duty Suspension---SDU=High Pressure Gas Shocks---Check VIN Number for The Type of 'Z' Code Springs are on The Truck								
1	5200 1135	1						BAR, Rear Sway, [-SDU]
2	5200 1145	4						CUSHION, Sway Eliminator, [-SDU]
3	5200 1094	2						LINK, Sway Eliminator, [-SDU]
4	3420 1686	2						BOLT, Hex Flange Head, M12x1.18x35, [-SDU]
5	6502 697	2						NUT, Hex Flange Lock, M12x1.75
6	5200 6450	2						BRACKET, Stabilizer Bar, [-SDU]
7	1150 5098	2						BOLT, Hex Flange Head, M12x1.75x60, [-SDU]
8								BRACKET, Spring Right
	5500 1102	1						Left
	5500 1103	1						Left
9	J400 5293	2	J, U					RETAINER, Push In Type M6.3 Hole, 9, Rear Spring Front Mounting
10	5200 0503	1						BUSHING, Spring, Rear Spring Front
11	3420 2118	2						BOLT, Hex Flange Head, M14x2.0x120, Rear Spring Front Mounting
12	5200 2386	2	J, U					REINFORCEMENT, Jounce Bumper, [SDU]
13								BUMPER, Jounce [-SDU]
	5200 4297	2						[SDU]
	5200 2393	2	J, U					[SDU]
14	J400 1933	2						SCREW, Hex Flange Head, .312-x18x.875
15								U-BOLT, Rear Spring [DRA]
	5200 4010	4						[DRJ, DRM]
	5200 6440	4						[DRJ, DRM]
16	6503 672	4						NUT, Hex, M14-2, Rear Spring Rear Mounting
17	3420 2118	2						BOLT, Hex Flange Head, M14x2.0x120
18	5200 0507	2						SHACKLE, Spring
19	J400 5293	2	J, U					RETAINER, Push In Type M6.3 Hole
20	5200 0504	1						BUSHING, Spring, Rear Spring Rear
21	3420 2118	2						BOLT, Hex Flange Head, M14x2.0x120, Rear Spring Rear Mounting
22								BRACKET, Spring Right
	55235 980AA	1						Left
	55235 981AA	1						Left
23	6506 586AA	2						WASHER, Shock Absorber
24	6101 688	2						NUT, Hex Lock, M12x1.75

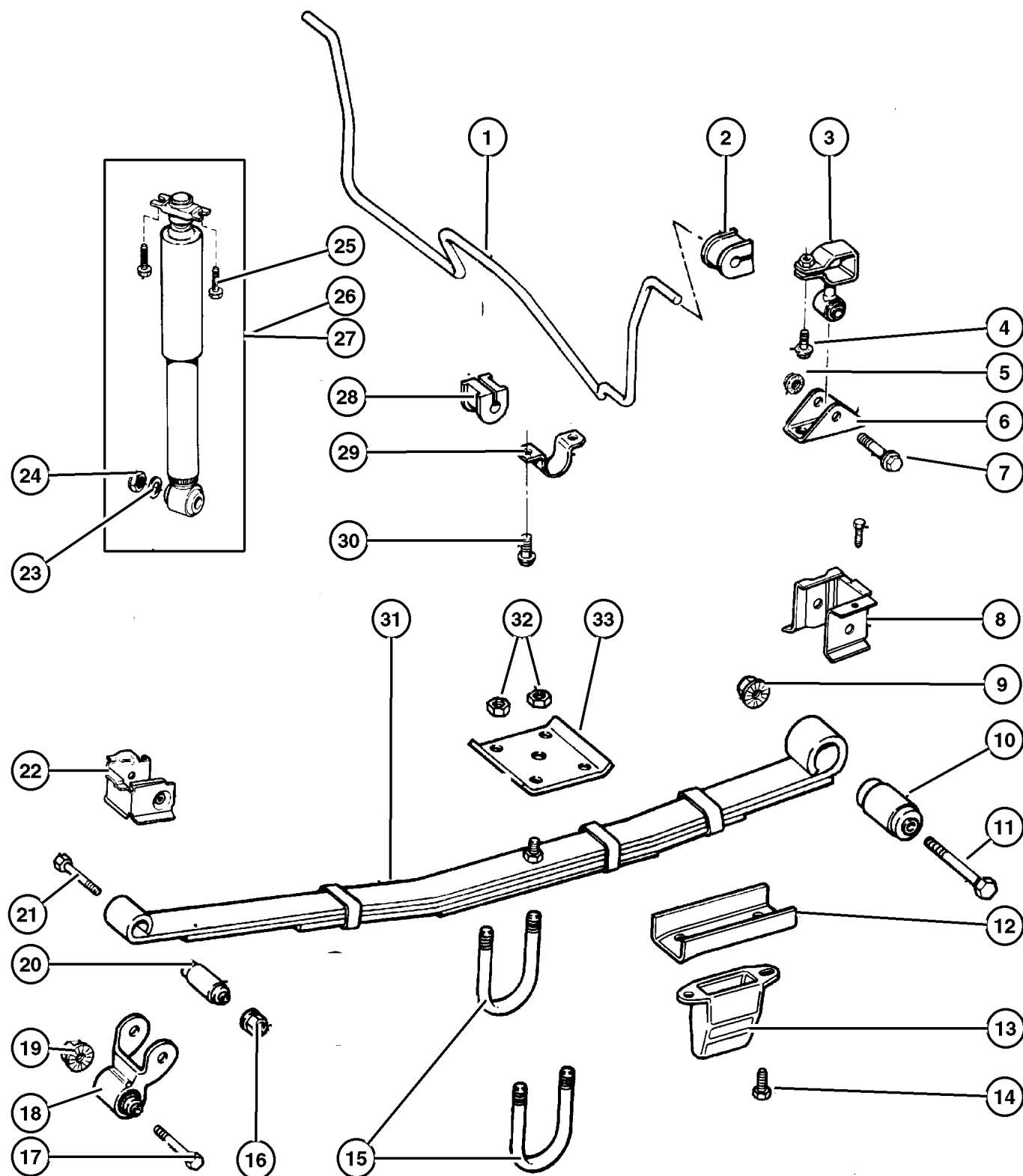
JEEP CHEROKEE (XJ)

SERIES	LINE	BODY	ENGINE	TRANSMISSION
P = Limited	J = LHD (4WD)	74=4 Dr. (101.4 WB)	ENC, EN0 = 2.5L 4 Cyl Turbo	DDD = 5 Speed Manual
S = Limited	U = RHD (4WD)	72=2 Dr. (101.4 WB)	ERH, ER0 = 4.0L Power Tech	DGS = 4 Speed Auto AISIN
H = Sport	T = LHD (2WD)			DG0 = All Automatic Trans
L = SE	B = RHD (2WD)			DBB = All Manual Trans

AR = Use as required - = Non illustrated part # = New this model year

May 2, 2002

Suspension, Rear and Shock Absorber Figure 017-110



ITEM	PART NUMBER	QTY	LINE	SERIES	BODY	ENGINE	TRANS	DESCRIPTION
25	J400 1933	4						SCREW, Hex Flange Head, .312-x18x.875
26	52087 777AF	2						SHOCK ABSORBER, Suspension, Rear [SDA]
	52087 948AD	2						[SDB]
27	4886 509AG	2	J, U					SHOCK ABSORBER PACKAGE, suspension, [SDU]
28	5200 1145	4						CUSHION, Sway Eliminator
29	5208 7865	2						RETAINER, Sway Bar
30	6505 574AA	4						SCREW AND WASHER, Hex Head, M10x1.5x40
31	52000 050AB	1						SPRING, Rear Leaf [ZFS,ZUS]
	52000 051AB	1						[ZFT,ZUT]
	52000 707AB	1						[ZGU,ZVU]
	52000 706AB	1						[ZFU,ZUU]
	52000 544AB	1						[ZGS,ZVS]
	52000 545AB	1						[ZGT,ZVT]
	52002 390AB	1						[ZGV,ZVV]
	52002 392AB	1						[ZGW,ZVW]
32	6502 697	8						NUT, Hex Flange Lock, M12x1.75, U-Bolt Attaching
33	5200 6449	2						PLATE, U Bolt

JEEP CHEROKEE (XJ)

SERIES	LINE	BODY	ENGINE	TRANSMISSION
P = Limited	J = LHD (4WD)	74=4 Dr. (101.4 WB)	ENC, EN0 = 2.5L 4 Cyl Turbo	DDD = 5 Speed Manual
S = Limited	U = RHD (4WD)	72=2 Dr. (101.4 WB)	ERH, ER0 = 4.0L Power Tech	DGS = 4 Speed Auto AISIN
H = Sport	T = LHD (2WD)			DG0 = All Automatic Trans
L = SE	B = RHD (2WD)			DBB = All Manual Trans

AR = Use as required - = Non illustrated part # = New this model year

May 2, 2002

Group – 019

Steering

GROUP 19 - Steering

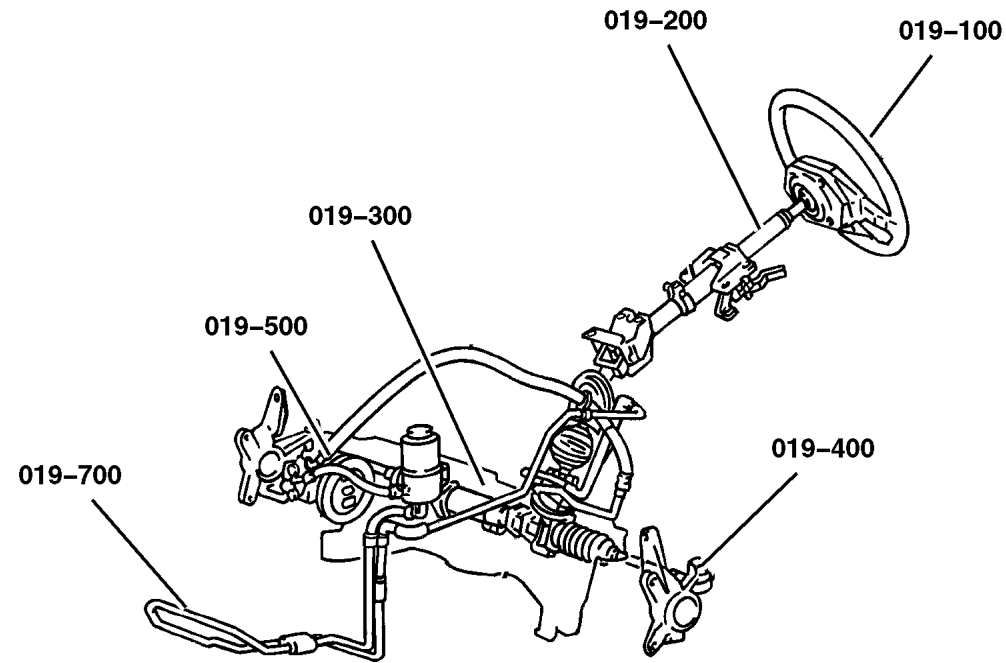


Illustration Title

Group-Fig. No.

Steering Wheel

Wheel Steering Fig. 019-110

Steering Column

Column, Steering Upper and Lower Fig. 019-210

Steering Gear

Gear, Steering and Internal Parts Fig. 019-310

Steering Linkage

Linkage and Damper Fig. 019-410

Power Steering Pump

Pump and Mounting, with 2.5L Diesel Engine Fig. 019-510

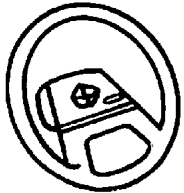
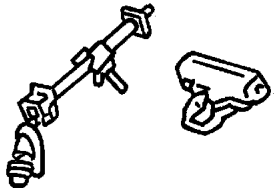
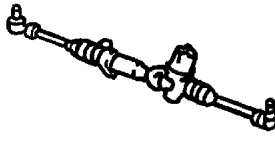
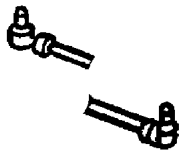
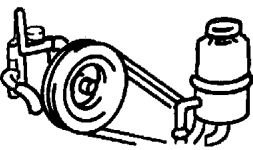
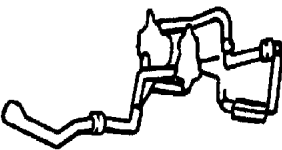
Pump and Mounting, with 4.0L Engine Fig. 019-520

Power Steering Hoses

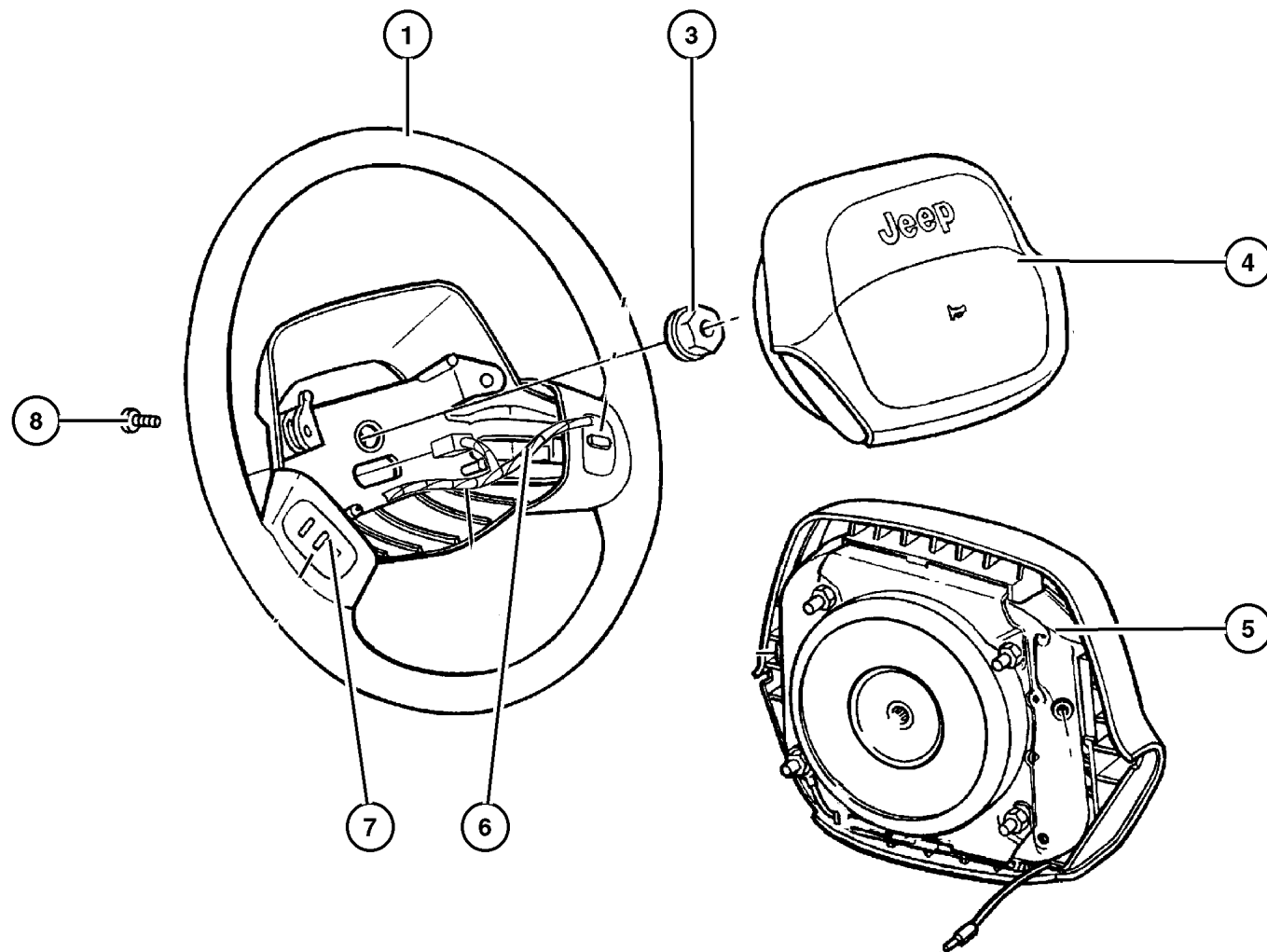
Hoses and Reservoir, with 4.0L Engine Fig. 019-710

Hoses and Reservoir, 2.5L Diesel Engine, Left Hand Drive Fig. 019-720

Hoses and Reservoir, 2.5L Diesel, Right Hand Drive Fig. 019-730

<p>019-100 Steering Wheel</p> 	<p>019-200 Steering Column</p> 	<p>019-300 Steering Gear</p> 	<p>019-400 Steering Linkage</p> 
<p>019-500 Power Steering Pump</p> 	<p>019-700 Power Steering Hoses</p> 		

Wheel Steering Figure 019-110



ITEM	PART NUMBER	QTY	LINE	SERIES	ENGINE	TRANS	DESCRIPTION
Note: If Horn Switch is defective, you must replace the AIR BAG COVER WITH SWITCH and not the AIR BAG MODULE ASSEMBLY itself. Shocks----Check VIN Number for The Type of 'Z' Code Springs are on The Truck							
Note: Sales Codes; Shocks----Check VIN Number for The Type of 'Z' Code Springs are on The Truck							
ABB=European Equipment Group Shocks----Check VIN Number for The Type of 'Z' Code Springs are on The Truck							
DBB = All Manual Transmissions Shocks----Check VIN Number for The Type of 'Z' Code Springs are on The Truck							
DG0 = All Automatic Transmissions Shocks----Check VIN Number for The Type of 'Z' Code Springs are on The Truck							
NHM = Speed Control Shocks----Check VIN Number for The Type of 'Z' Code Springs are on The Truck							
SCG = Leather Wrap Steering Wheel Shocks----Check VIN Number for The Type of 'Z' Code Springs are on The Truck							
SCD = Luxury Steering Wheel Shocks----Check VIN Number for The Type of 'Z' Code Springs are on The Truck							
1	#5GK43 1AZAB	1					WHEEL, Steering [SCD]
	#5GL44 1AZAB	1					[SCG]
	5DY22 LAZAC	1					[SCG,NHM]
-2	#5GK16 DX9AB	1					BEZEL, Steering Wheel Right
	#5GK17 DX9AB	1					Left
3	6505 248AA	1				DBB	NUT, Hex Flange Lock Steering Wheel, Mounting
		1				DG0	Steering Wheel, Mounting
4	4798 182	1					COVER, Air Bag Module, Includes Horn Switch
5	#5GC51 LAZAF	1					AIR BAG, Driver
6	5600 9437	1					WIRING, Steering Wheel
7	56007 530AD	1		L, H, P	EPO, ERO		SWITCH, Speed Control Right
	56007 531AD	1		L, H, P	EPO, ERO		Left
8	6503 262	2					SCREW, Hex Flange Head, M6x1.00x20.00, Air Bag, Mounting
-9	55314 966AB	1					LABEL, Airbag, [ABB]

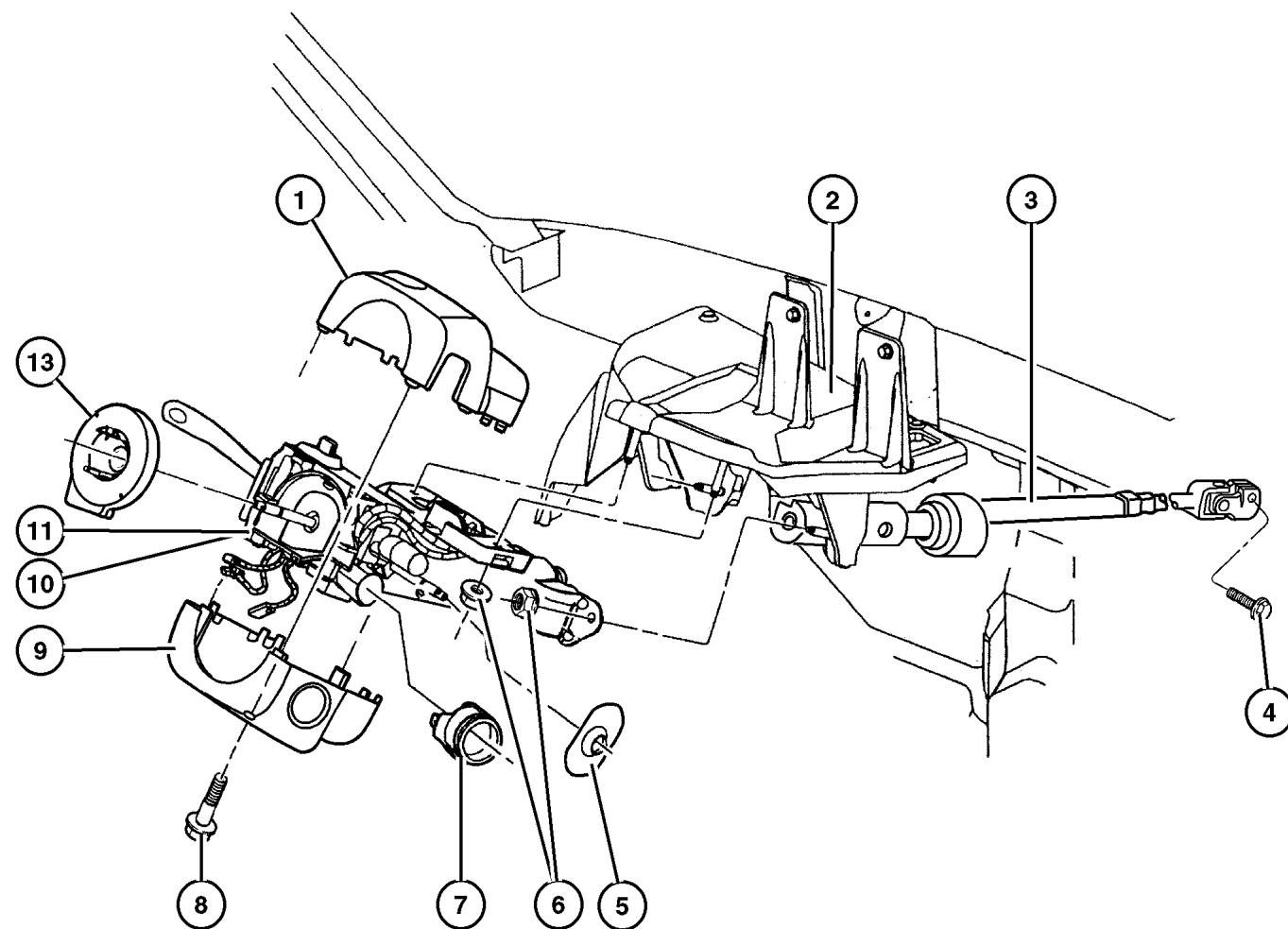
JEEP CHEROKEE (XJ)

SERIES	LINE	BODY	ENGINE	TRANSMISSION
P = Limited	J = LHD (4WD)	74=4 Dr. (101.4 WB)	ENC, EN0 = 2.5L 4 Cyl Turbo	DDD = 5 Speed Manual
S = Limited	U = RHD (4WD)	72=2 Dr. (101.4 WB)	ERH, ER0 = 4.0L Power Tech	DGS = 4 Speed Auto AISIN
H = Sport	T = LHD (2WD)			DG0 = All Automatic Trans
L = SE	B = RHD (2WD)			DBB = All Manual Trans

AR = Use as required - = Non illustrated part # = New this model year

May 2, 2002

Column, Steering Upper and Lower Figure 019-210



ITEM	PART NUMBER	QTY	LINE	SERIES	ENGINE	TRANS	DESCRIPTION
Note: ABB=European Equipment Group---DGO= All Automatic Transmissions--- DBB= All Manual Transmissions---NHM=Speed Control---SUA=Tilt Steering Column Shocks---Check VIN Number for The Type of 'Z' Code Springs are on The Truck							
1							SHROUD, Steering Column
	5FV71 LAZAC	1				DG0	[SUA,+DG0], Upper
		1				DBB	[SUA,+DBB], Upper
	5FV74 LAZAC	1				DG0	[-SUA,+DG0], Upper
		1				DBB	[-SUA,+DBB], Upper
2							BRACKET, Steering Column
	5207 8853	1	J, T				
	52078 930AB	1	B, U				
3	52079 010AF	1					SHAFT, Intermediate
4	6503 210	2					SCREW, Hex Flange Head, M10x1.5x35., Intermediate Shaft to Steering Column
5	56008 994AB	1					COVER, Switch, Wiper Pod
6	6501 279	5					NUT, Hex Flange Lock, M8x1.25
7	55314 965AB	1					TRIM RING, Ignition Key Cylinder
8	6035 434	3					SCREW AND WASHER, Pan Head, Upper to Lower Shield Attaching
9							SHROUD, Steering Column
	5FV70 LAZAC	1				DG0	Lower
	5FV76 LAZAC	1				DBB	Lower
10							COLUMN, steering, non tilt
	4897 818AB	1				DG0	[DG0,-ABB]
	4897 820AB	1				DBB	[DBB,-ABB]
11							COLUMN, Steering, Tilt
	4897 809AB	1				DG0	[DG0,-ABB]
	4897 811AB	1				DBB	[DBB,-ABB]
	4897 810AB	1				DG0	[DG0,+ABB]
	4897 812AB	1				DBB	[DBB,+ABB]
-12							LEVER, Tilt Column Release
	4690 372AD	1				DG0	
		1				DBB	
13							CLOCKSPRING
	5600 9071	1					[NHM]
	5600 9070	1					[-NHM]
-14							SHIELD, Steering Column
	5207 9332	1				DBB	Tilt Lever Stop
		1				DG0	Tilt Lever Stop

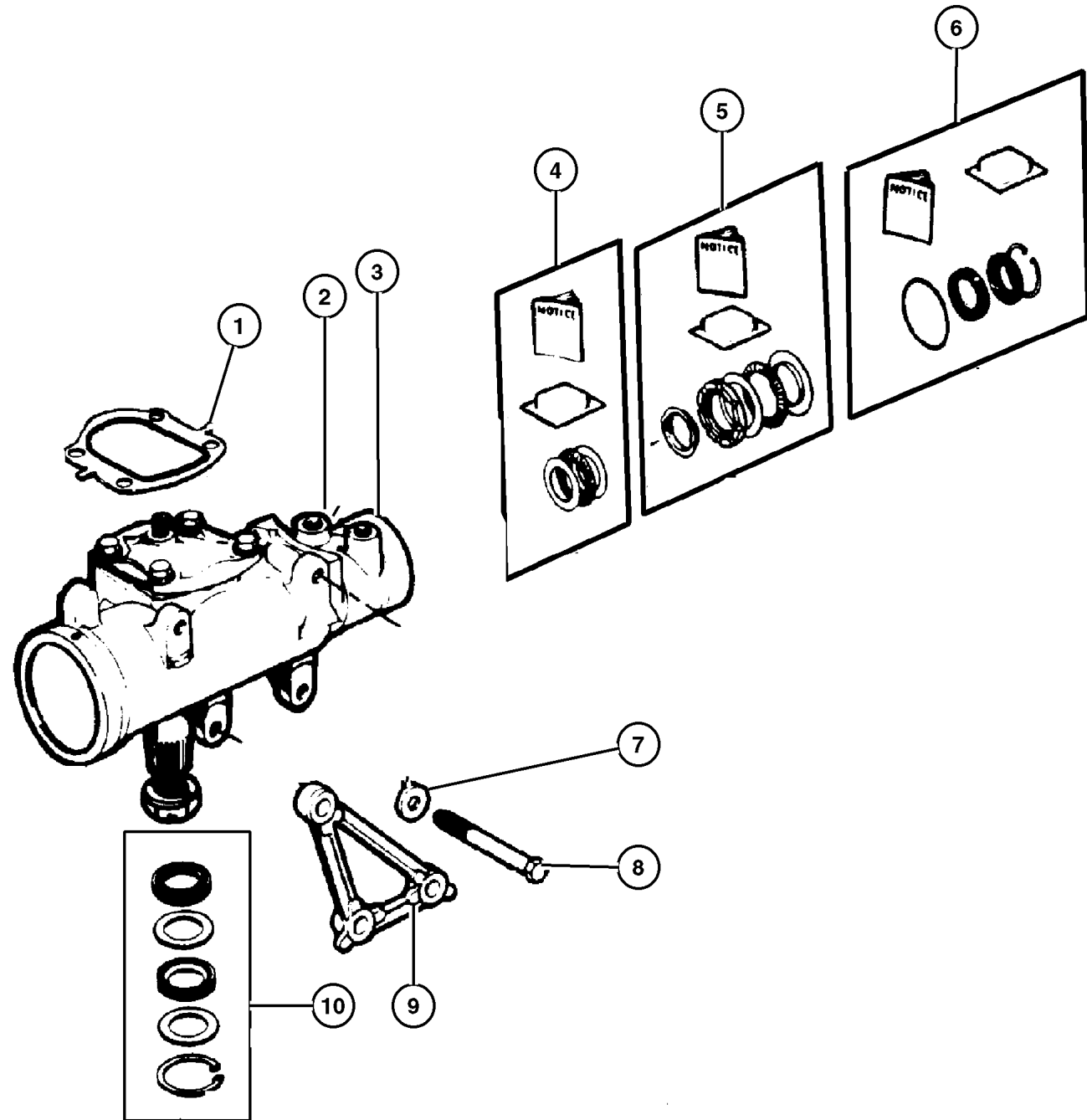
JEEP CHEROKEE (XJ)

SERIES	LINE	BODY	ENGINE	TRANSMISSION
P = Limited	J = LHD (4WD)	74=4 Dr. (101.4 WB)	ENC, EN0 = 2.5L 4 Cyl Turbo	DDD = 5 Speed Manual
S = Limited	U = RHD (4WD)	72=2 Dr. (101.4 WB)	ERH, ER0 = 4.0L Power Tech	DGS = 4 Speed Auto AISIN
H = Sport	T = LHD (2WD)			DG0 = All Automatic Trans
L = SE	B = RHD (2WD)			DBB = All Manual Trans

AR = Use as required - = Non illustrated part # = New this model year

May 2, 2002

Gear, Steering and Internal Parts
Figure 019-310



ITEM	PART NUMBER	QTY	LINE	SERIES	ENGINE	TRANS	DESCRIPTION
1							SEAL, Steering Gear Cover
	3893 558	1	J, T				
		1	B, U				
2	52088 386AC	1	J, T				GEAR, Power Steering
3	52088 532AE	1	B, U				GEAR, Power Steering, RHD
4							REPAIR KIT, Thurst Bearing, Steering Gear
	4897 000AA	1	J, T				
		1	B, U				
5							SEAL KIT, Steering gear adjuster plug
	4886 349AA	1	J, T				
		1	B, U				
6							SEAL KIT, Steering gear end plug
	3893 557	1	J, T				
		1	B, U				
7	J400 3926	3					WASHER, Flat, .437x.875x.135
8	6035 939AA	3					SCREW, Hex Head
9							ADAPTER, Steering Gear
	5200 0090	1	J, T				
	5200 6512	1	B, U				
10							SEAL KIT, Steering gear pitman shaft
	4470 365	1	J, T				
		1	B, U				

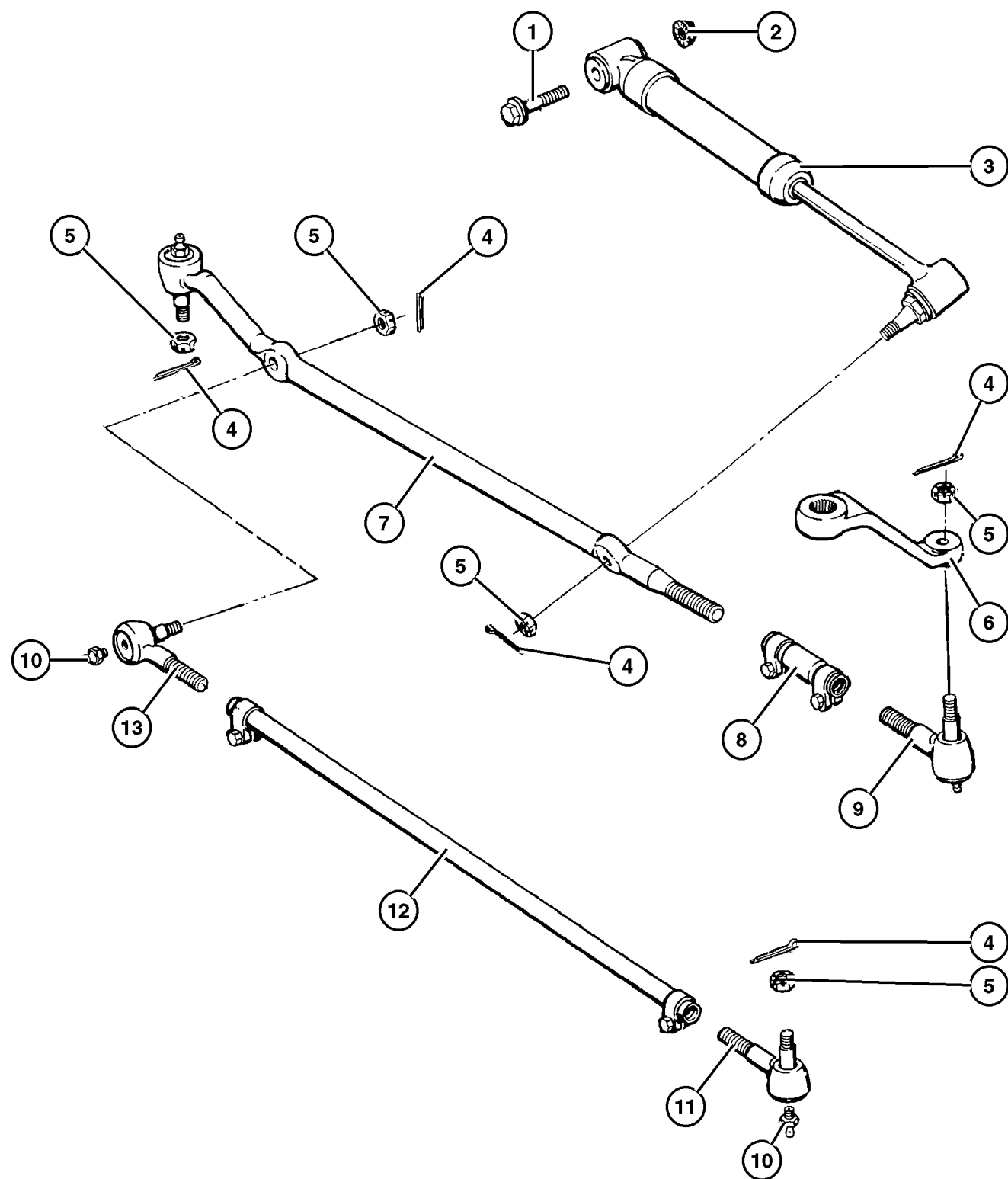
JEEP CHEROKEE (XJ)

SERIES	LINE	BODY	ENGINE	TRANSMISSION
P = Limited	J = LHD (4WD)	74=4 Dr. (101.4 WB)	ENC, EN0 = 2.5L 4 Cyl Turbo	DDD = 5 Speed Manual
S = Limited	U = RHD (4WD)	72=2 Dr. (101.4 WB)	ERH, ER0 = 4.0L Power Tech	DGS = 4 Speed Auto AISIN
H = Sport	T = LHD (2WD)			DG0 = All Automatic Trans
L = SE	B = RHD (2WD)			DBB = All Manual Trans

AR = Use as required - = Non illustrated part # = New this model year

May 2, 2002

Linkage and Damper Figure 019-410



ITEM	PART NUMBER	QTY	LINE	SERIES	ENGINE	TRANS	DESCRIPTION
1	1150 5098	1					BOLT, Hex Flange Head, M12x1.75x60
2	6502 697	1					NUT, Hex Flange Lock, M12x1.75
3	52087 827AB	1	J, T				DAMPER, Steering Linkage
	52037 506AB	1	B, U				
4	3420 2101	1					PIN, Cotter
5	J027 4428	1					NUT, Hex Slotted
6	5200 0615	1	J, T				ARM, Pitman
	5200 6505	1	B, U				
7	5200 6592	1	J, T				SOCKET, Drag Link Outer
	5200 6582	1	B, U				
8	52005 742AB	1	J, T				TUBE, Tie Rod
		1	B, U				
9	5200 5739	1	J, T				SOCKET Drag Link, Inner
		1	B, U				
10	83507 064AB	1	J, T				FITTING KIT, GREASE
		1	B, U				
11	5200 5741	1	J, T				SOCKET, Tie Rod, Outer
		1	B, U				
12	52005 743AB	1	J, T				TUBE, Tie Rod
		1	B, U				
13	5200 5740	1	J, T				SOCKET, Tie Rod, Inner
		1	B, U				

JEEP CHEROKEE (XJ)

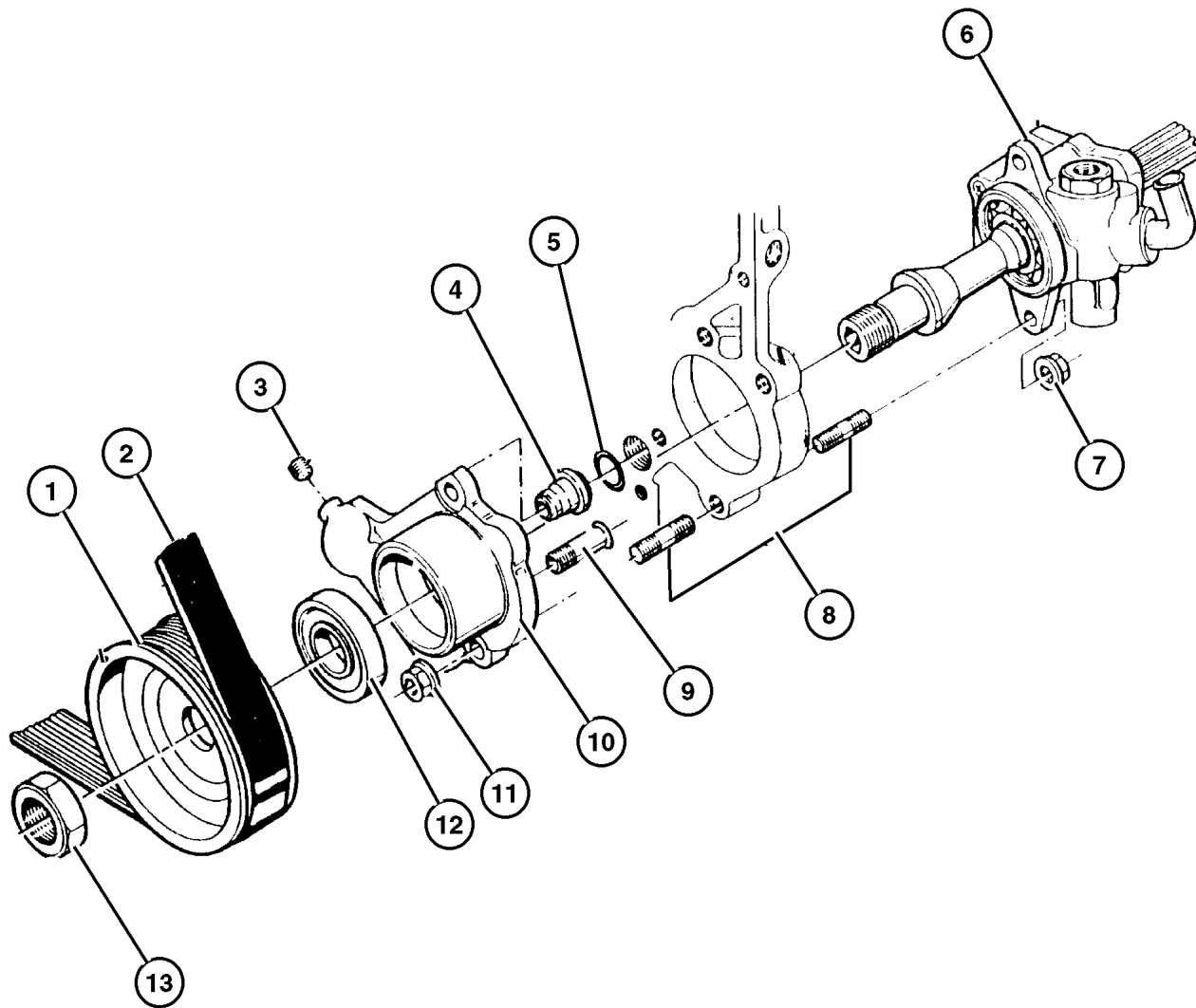
SERIES	LINE	BODY	ENGINE	TRANSMISSION
P = Limited	J = LHD (4WD)	74=4 Dr. (101.4 WB)	ENC, EN0 = 2.5L 4 Cyl Turbo	DDD = 5 Speed Manual
S = Limited	U = RHD (4WD)	72=2 Dr. (101.4 WB)	ERH, ER0 = 4.0L Power Tech	DGS = 4 Speed Auto AISIN
H = Sport	T = LHD (2WD)			DG0 = All Automatic Trans
L = SE	B = RHD (2WD)			DBB = All Manual Trans

AR = Use as required - = Non illustrated part # = New this model year

May 2, 2002

**Pump and Mounting, with 2.5L Diesel Engine
Figure 019-510**

ITEM	PART NUMBER	QTY	LINE	SERIES	ENGINE	TRANS	DESCRIPTION
Note: ENO = ALL 4/5 Cylinder Diesel Engines Shocks----Check VIN Number for The Type of 'Z' Code Springs are on The Truck							
1	4796 034	1			ENO		PULLEY, Power Steering Pump
2	4883 445AA	1			ENO		BELT, Accessory Drive
3	4883 425AA	1			ENO		PLUG
4	4723 335	1			ENO		VALVE, Vacuum Pump
5	4723 334	1			ENO		GASKET, Valve
6	4883 460AA	1			ENO		PUMP, Power Steering
7	4720 699	1			ENO		NUT, Hex Lock, M8
8	4723 331	5			ENO		STUD, M8x25
9	5003 548AA	1			ENO		PIPE, Vacuum Pump
10	4883 461AA	1			ENO		SUPPORT, Power Steering Pump
11	4720 699	1			ENO		NUT, Hex Lock, M8
12	4723 339	1			ENO		BEARING, Power Steering Pump Shaft
13							NUT, Power Steering Pump Pulley, Order Pump Assy, (NOT SERVICED)

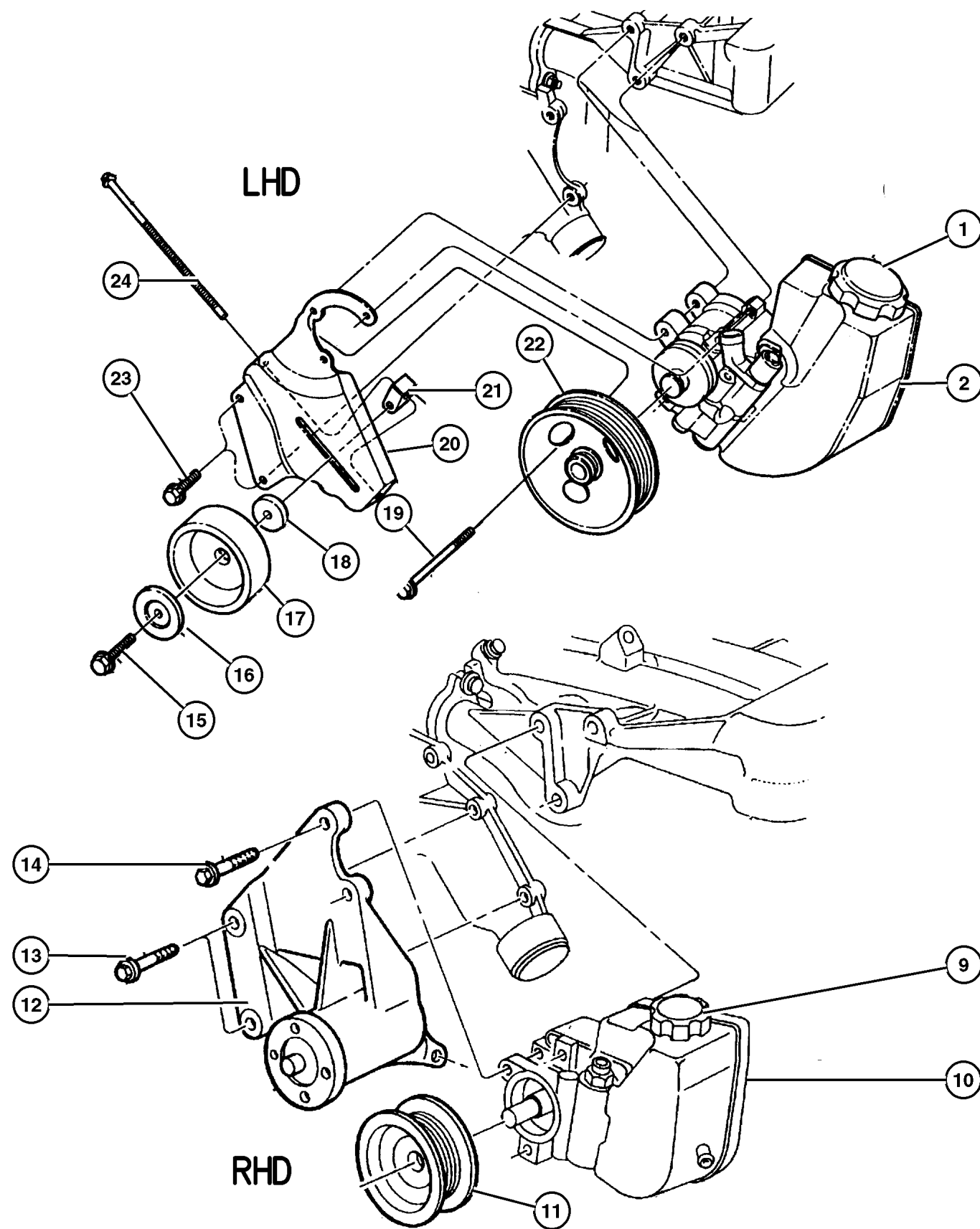


JEEP CHEROKEE (XJ)				
SERIES	LINE	BODY	ENGINE	TRANSMISSION
P = Limited	J = LHD (4WD)	74=4 Dr. (101.4 WB)	ENC, EN0 = 2.5L 4 Cyl Turbo	DDD = 5 Speed Manual
S = Limited	U = RHD (4WD)	72=2 Dr. (101.4 WB)	ERH, ER0 = 4.0L Power Tech	DGS = 4 Speed Auto AISIN
H = Sport	T = LHD (2WD)			DG0 = All Automatic Trans
L = SE	B = RHD (2WD)			DBB = All Manual Trans

AR = Use as required - = Non illustrated part # = New this model year

May 2, 2002

Pump and Mounting, with 4.0L Engine
Figure 019-520



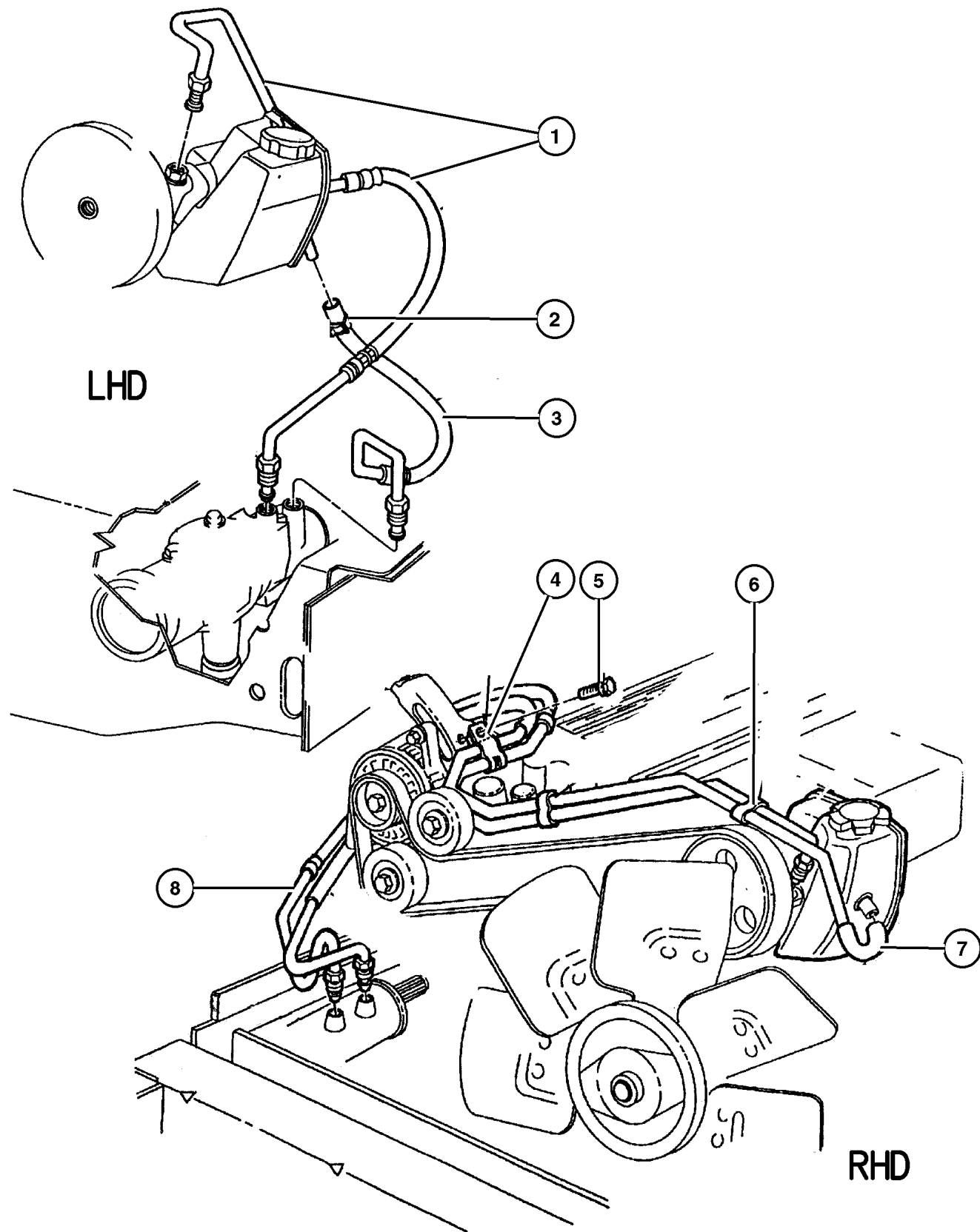
ITEM	PART NUMBER	QTY	LINE	SERIES	ENGINE	TRANS	DESCRIPTION
Note: ERO= ALL 4.0L 6 Cylinder Gas Shocks---Check VIN Number for The Type of 'Z' Code Springs are on The Truck							
1	4897 287AA	1	J, T		ERO		CAP, Power Steering Reservoir
2	52087 871AD	1	J, T		ERO		PUMP, Power Steering, with Reservoir
-3							CLIP, Power Steering Reservoir
	5203 7547	1	J, T		ERO		Mounting, Right
	5203 7546	1	J, T		ERO		Mounting, Left
-4	8350 3489	1	J, T		ERO		VALVE, Flow Control
-5	2537 833	1	J, T		ERO		SPRING, Power Steering Pump Flow
-6	4778 797AB	1	J, T		ERO		SEAL, Power Steering Pump
-7	5066 223AA	1	J, T		ERO		KIT, Pump Assy. Service
-8	5066 224AA	1	J, T		ERO		KIT, Reservoir Service
9							CAP, Power Steering Pump, (NOT SERVICED)
10	52088 139AC	1	B, U		ERO		PUMP, Power Steering
11	53010 258AB	1			ERO		PULLEY, Power Steering Pump
12	5301 0243	1	B, U		ERO		BRACKET, Power Steering Pump
13	6025 063	2	B, U		ERO		SCREW AND WASHER, .375-16x1.125
14	6502 425	3	B, U		ERO		SCREW AND WASHER, Hex Head, M8x1.25x95
15	3420 2029	1	J, T		ERO		BOLT, Hex Flange Head, M10x1.50x50
16							BUSHING, Idler Pulley
	3300 2201	1	J, T		ERO		
		1	B, U		ERO		
17							PULLEY, Idler
	53010 228AB	1	B, U		ERO		
	4792 112	1	J, T		ERO		
18	6503 230	1	J, T		ERO		SPACER, Belt Tensioner
19	6502 425	2	J, T		ERO		SCREW AND WASHER, Hex Head, M8x1.25x95
20							BRACKET, Tensioner
	5301 0148	1	J, T		ERO		
	53010 190AC	1	B, U		ERO		
21	5301 0149	1	J, T		ERO		COLLAR, Tensioner Adjustment
22	53010 258AB	1			ERO		PULLEY, Power Steering Pump
23							SCREW AND WASHER, .375-16x1.00, (NOT SERVICED)
24	6503 198	1	J, T		ERO		BOLT

JEEP CHEROKEE (XJ)				
SERIES	LINE	BODY	ENGINE	TRANSMISSION
P = Limited	J = LHD (4WD)	74=4 Dr. (101.4 WB)	ENC, EN0 = 2.5L 4 Cyl Turbo	DDD = 5 Speed Manual
S = Limited	U = RHD (4WD)	72=2 Dr. (101.4 WB)	ERH, ER0 = 4.0L Power Tech	DGS = 4 Speed Auto AISIN
H = Sport	T = LHD (2WD)			DG0 = All Automatic Trans
L = SE	B = RHD (2WD)			DBB = All Manual Trans

AR = Use as required - = Non illustrated part # = New this model year

May 2, 2002

Hoses and Reservoir, with 4.0L Engine Figure 019-710



ITEM	PART NUMBER	QTY	LINE	SERIES	ENGINE	TRANS	DESCRIPTION
Note: Shocks----Check VIN Number for The Type of 'Z' Code Springs are on The Truck							
DG0 = All Automatic Transmissions Shocks----Check VIN Number for The Type of 'Z' Code Springs are on The Truck							
ER0 = All 4.0L 6 Cyl Gas Engines Shocks----Check VIN Number for The Type of 'Z' Code Springs are on The Truck							
1	5208 8489	1	J, T		ER0		HOSE, Power Steering Pressure
2	2448 770	2	J, T		ER0	DG0	CLAMP, Hose
3	5203 7645	1	J, T		ER0		HOSE, Power Steering Return
4	5208 7977	1	B, U		ER0		CLIP, Power Steering Hose
5	6502 946	1	B, U		ER0		SCREW, Heat Shield, M6x1.00x13.00
6	5208 7977	1	B, U		ER0		CLIP, Power Steering Hose
7	52087 975AB	1	B, U		ER0		HOSE, Power Steering Return
8	52088 021AB	1	B, U		ER0		HOSE, Power Steering Pressure

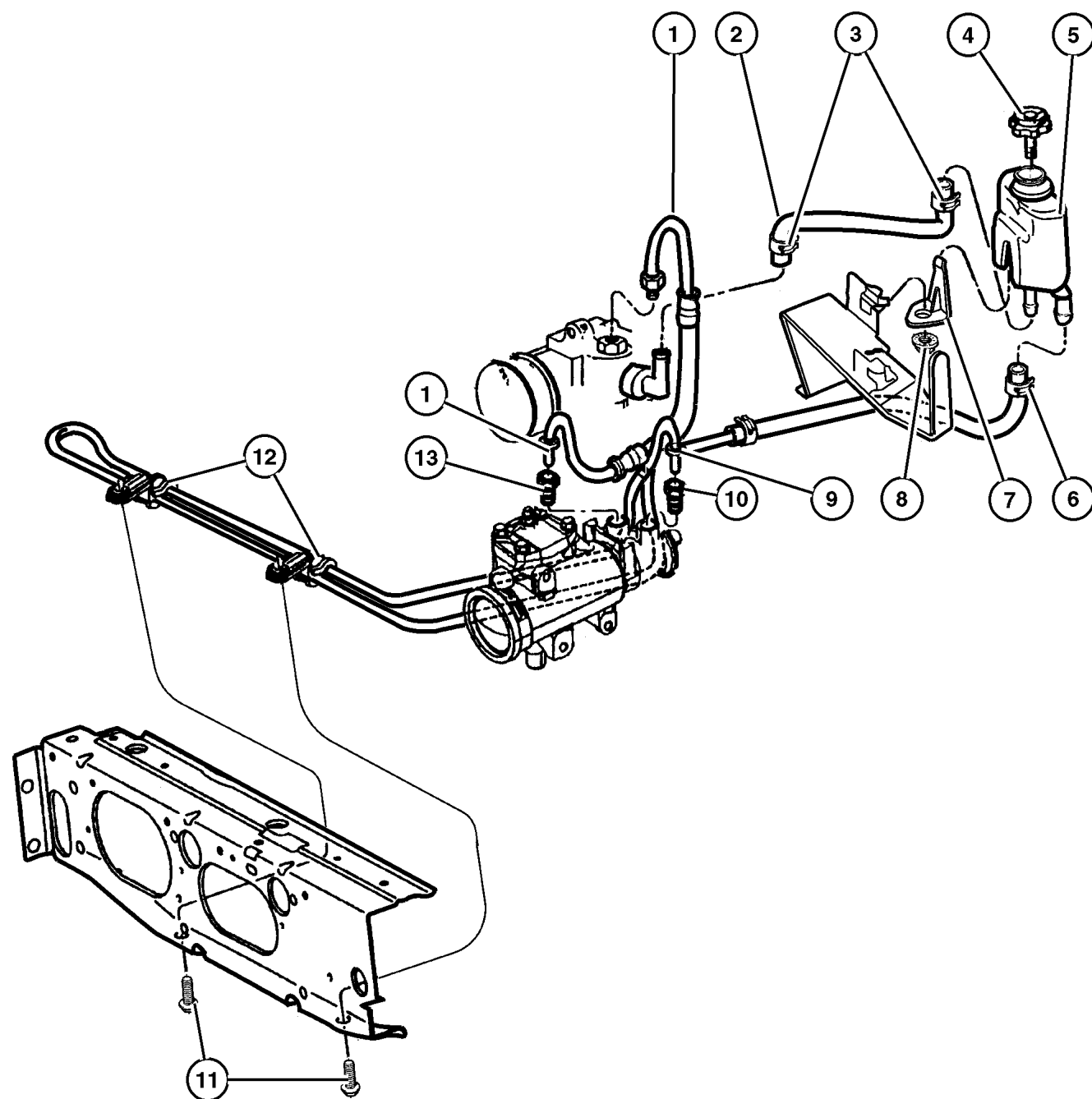
JEEP CHEROKEE (XJ)				
SERIES	LINE	BODY	ENGINE	TRANSMISSION
P = Limited	J = LHD (4WD)	74=4 Dr. (101.4 WB)	ENC, EN0 = 2.5L 4 Cyl Turbo	DDD = 5 Speed Manual
S = Limited	U = RHD (4WD)	72=2 Dr. (101.4 WB)	ERH, ER0 = 4.0L Power Tech	DGS = 4 Speed Auto AISIN
H = Sport	T = LHD (2WD)			DG0 = All Automatic Trans
L = SE	B = RHD (2WD)			DBB = All Manual Trans

AR = Use as required - = Non illustrated part # = New this model year

May 2, 2002

Hoses and Reservoir, 2.5L Diesel Engine, Left Hand Drive Figure 019-720

ITEM	PART NUMBER	QTY	LINE	SERIES	ENGINE	TRANS	DESCRIPTION
Note: Sales Codes: Shocks----Check VIN Number for The Type of 'Z' Code Springs are on The Truck							
ENO = All Turbo Diesel Engines Shocks----Check VIN Number for The Type of 'Z' Code Springs are on The Truck							
ENC = 2.5L 4 Cylinder Turbo Diesels Shocks----Check VIN Number for The Type of 'Z' Code Springs are on The Truck							
1	52087 783AC	1	J, T		ENC		HOSE, Power Steering Pressure
2	52088 216AC	1			ENC		HOSE, Pump Supply
3	2448 761	1	J, T		ENC		CLAMP, Hose
4	4694 766	1			ENC, EPO		CAP, Power Steering Pump
5	52087 713AC	1			ENC, EPO		RESERVOIR, Power Steering Pump
6	2448 761	1	J, T		ENC		CLAMP, Hose
7	5208 7766	1			ENC		BRACKET, Power Steering Reservoir
8	6100 516	1			ENC		NUT, Hex Flange Lock, M6 Phosphate
9	52088 184AC	1	J, T		ENC		HOSE, Power Steering Return
10	5208 8116	1	J, T		ENC		FITTING, Power Steering, Quick Connect
11	6502 280	2	J, T		ENC		SCREW AND WASHER, Hex Head Special Point, M8x1.25x17
12	5208 8109	2	J, T		ENC		BRACKET, Power Steering Hose
13	5203 7556	1	J, T		ENC		FITTING, Power Steering, Quick Connect



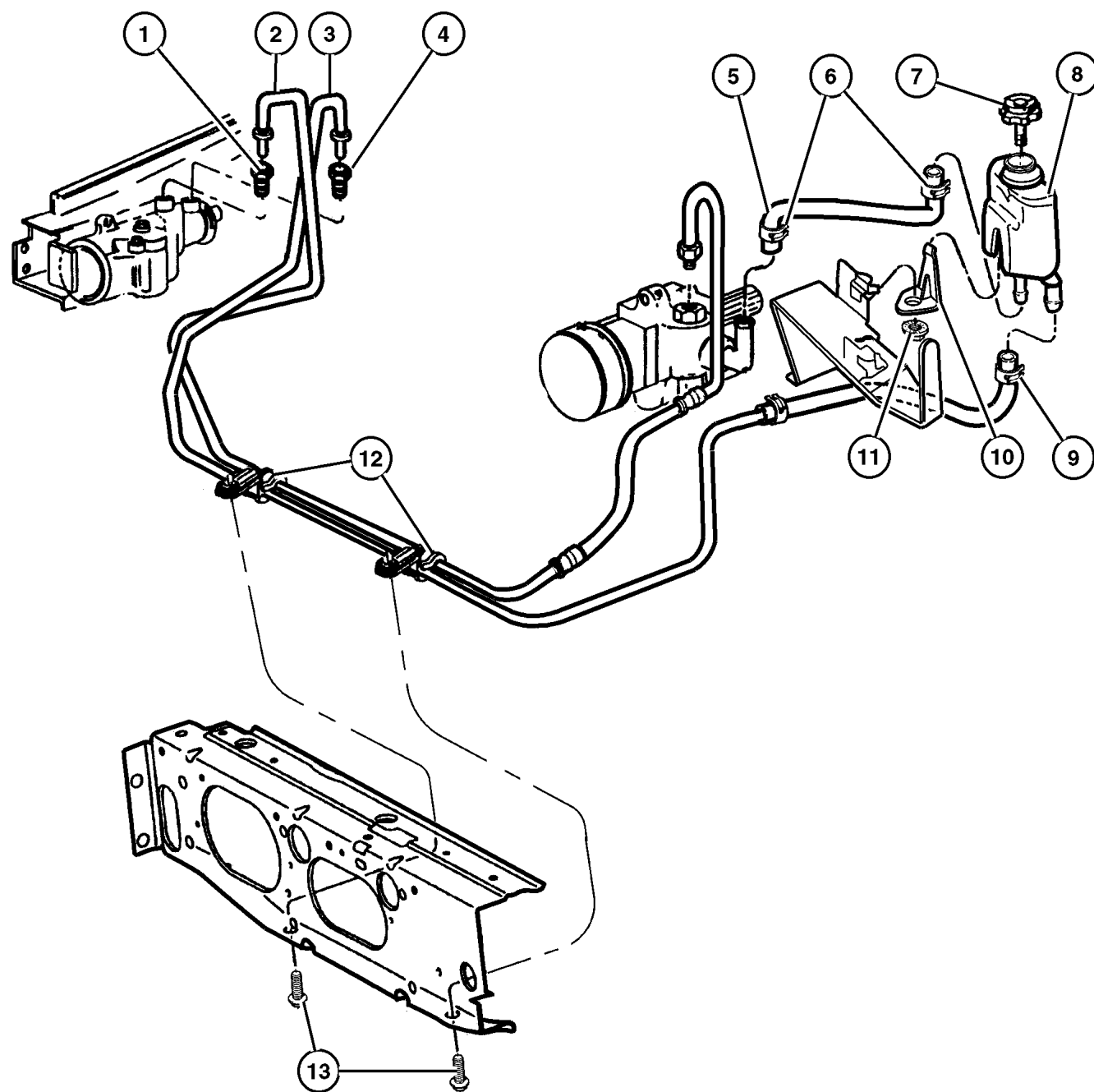
JEEP CHEROKEE (XJ)

SERIES	LINE	BODY	ENGINE	TRANSMISSION
P = Limited	J = LHD (4WD)	74=4 Dr. (101.4 WB)	ENC, EN0 = 2.5L 4 Cyl Turbo	DDD = 5 Speed Manual
S = Limited	U = RHD (4WD)	72=2 Dr. (101.4 WB)	ERH, ER0 = 4.0L Power Tech	DGS = 4 Speed Auto AISIN
H = Sport	T = LHD (2WD)			DG0 = All Automatic Trans
L = SE	B = RHD (2WD)			DBB = All Manual Trans

AR = Use as required - = Non illustrated part # = New this model year

May 2, 2002

Hoses and Reservoir, 2.5L Diesel, Right Hand Drive Figure 019-730



ITEM	PART NUMBER	QTY	LINE	SERIES	ENGINE	TRANS	DESCRIPTION
Note: Sales Codes: Shocks----Check VIN Number for The Type of 'Z' Code Springs are on The Truck							
EPO = All 2.5L 4 Cyl Gas Engines Shocks----Check VIN Number for The Type of 'Z' Code Springs are on The Truck							
ENC = 2.5L 4 Cylinder Turbo Diesel Shocks----Check VIN Number for The Type of 'Z' Code Springs are on The Truck							
EPE = 2.5l Power Tech Inline 4 Cylinder Engine Shocks----Check VIN Number for The Type of 'Z' Code Springs are on The Truck							
1	5203 7556	1	B, U		ENC, EPE		FITTING, Power Steering, Quick Connect, Pressure
2	5208 7886	1	B, U		ENC		HOSE, Power Steering Pressure
3	52087 892AB	1	B, U		ENC		HOSE, Power Steering Return
4	5208 8116	1	B, U		ENC, EPE		FITTING, Power Steering, Quick Connect, Return
5	52088 216AC	1			ENC		HOSE, Pump Supply
6	2448 761	1	B, U		ENC		CLAMP, Hose
7	4694 766	1			ENC, EPO		CAP, Power Steering Pump
8	52087 713AC	1			ENC, EPO		RESERVOIR, Power Steering Pump
9	2448 761	1	B, U		ENC		CLAMP, Hose
10	5208 7766	1			ENC		BRACKET, Power Steering Reservoir
11	6100 516	1			ENC		NUT, Hex Flange Lock, M6 Phosphate
12	5208 8109	1	B, U		ENC		BRACKET, Power Steering Hose
13	6501 648	1	B, U		ENC, EPO		SCREW, Hex Flange Head, M8x1.25x25.00

JEEP CHEROKEE (XJ)

SERIES	LINE	BODY	ENGINE	TRANSMISSION
P = Limited	J = LHD (4WD)	74=4 Dr. (101.4 WB)	ENC, EN0 = 2.5L 4 Cyl Turbo	DDD = 5 Speed Manual
S = Limited	U = RHD (4WD)	72=2 Dr. (101.4 WB)	ERH, ER0 = 4.0L Power Tech	DGS = 4 Speed Auto AISIN
H = Sport	T = LHD (2WD)			DG0 = All Automatic Trans
L = SE	B = RHD (2WD)			DBB = All Manual Trans

AR = Use as required - = Non illustrated part # = New this model year

May 2, 2002

Group – AW4

Automatic Transmission 4 Speed

GROUP AW4 - Automatic Transmission 4 Speed

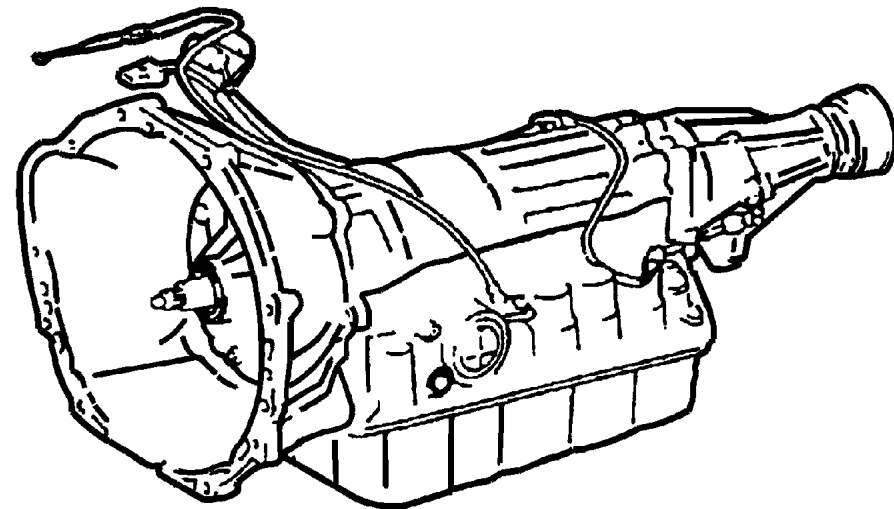


Illustration Title

Group-Fig. No.

Transmission Assembly

Transmission AW4 (DGS) Fig. AW4-110

Case and Extension

Case and Related Parts AW4 (DGS) Fig. AW4-210

Linkage AW4 (DGS) Fig. AW4-220

Oil Pump

Oil Pump AW4 (DGS) Fig. AW4-310

Gear Train

Overdrive Clutch AW4 (DGS) Fig. AW4-410

Clutches, Forward and Direct AW4 (DGS) Fig. AW4-420

Clutch and Sun Gear AW4 (DGS) Fig. AW4-430

Gear Train AW4 (DGS) Fig. AW4-440

Bands, Reverse and Kickdown

Bands AW4 (DGS) Fig. AW4-510

Valve Body

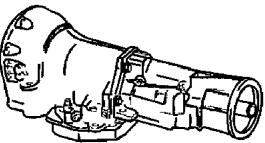
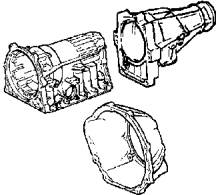

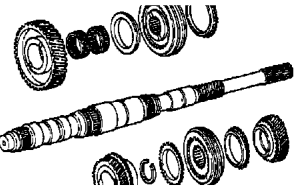
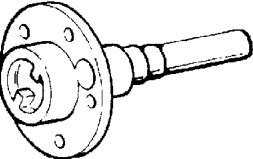

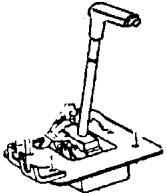
Valve Body AW4 (DGS) Fig. AW4-710

Accumulator Piston AW4 (DGS) Fig. AW4-720

Lock, Parking AW4 (DGS) Fig. AW4-730

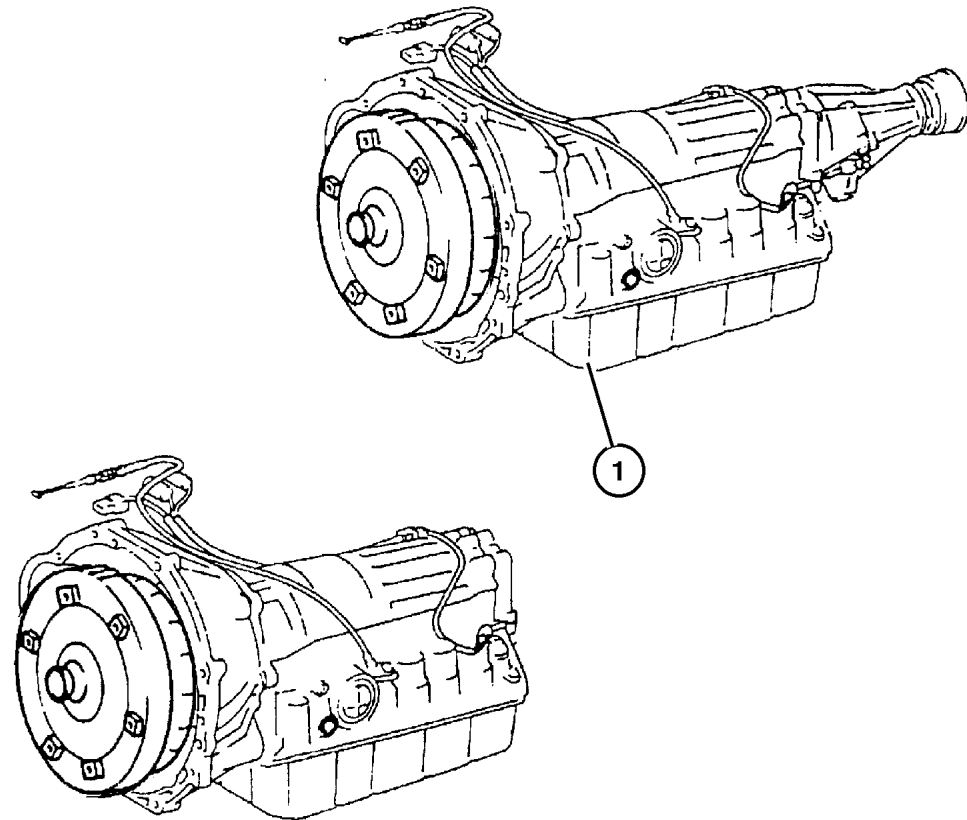
Gearshift Controls

Gearshift Controls AW4 (DGS) Fig. AW4-1210

<p>AW4-100 Transmission Assembly</p> 	<p>AW4-200 Case and Extension</p> 	<p>AW4-300 Oil Pump</p> 	<p>AW4-400 Gear Train</p> 
<p>AW4-500 Bands, Reverse and Kickdown</p> 	<p>AW4-700 Valve Body</p> 	<p>AW4-1200 Gearshift Controls</p> 	

**Transmission AW4 (DGS)
Figure AW4-110**

ITEM	PART NUMBER	QTY	LINE	SERIES	ENGINE	TRANS	DESCRIPTION
Notes: Shocks----Check VIN Number for The Type of 'Z' Code Springs are on The Truck							
DGS = Aisin Warner 4 Speed Automatic Transmission Shocks----Check VIN Number for The Type of 'Z' Code Springs are on The Truck							
Truck							
1						TRANSMISSION	
	52104 180AD	1	B, T			DGS	
	52104 210AC	1	J, U			DGS	

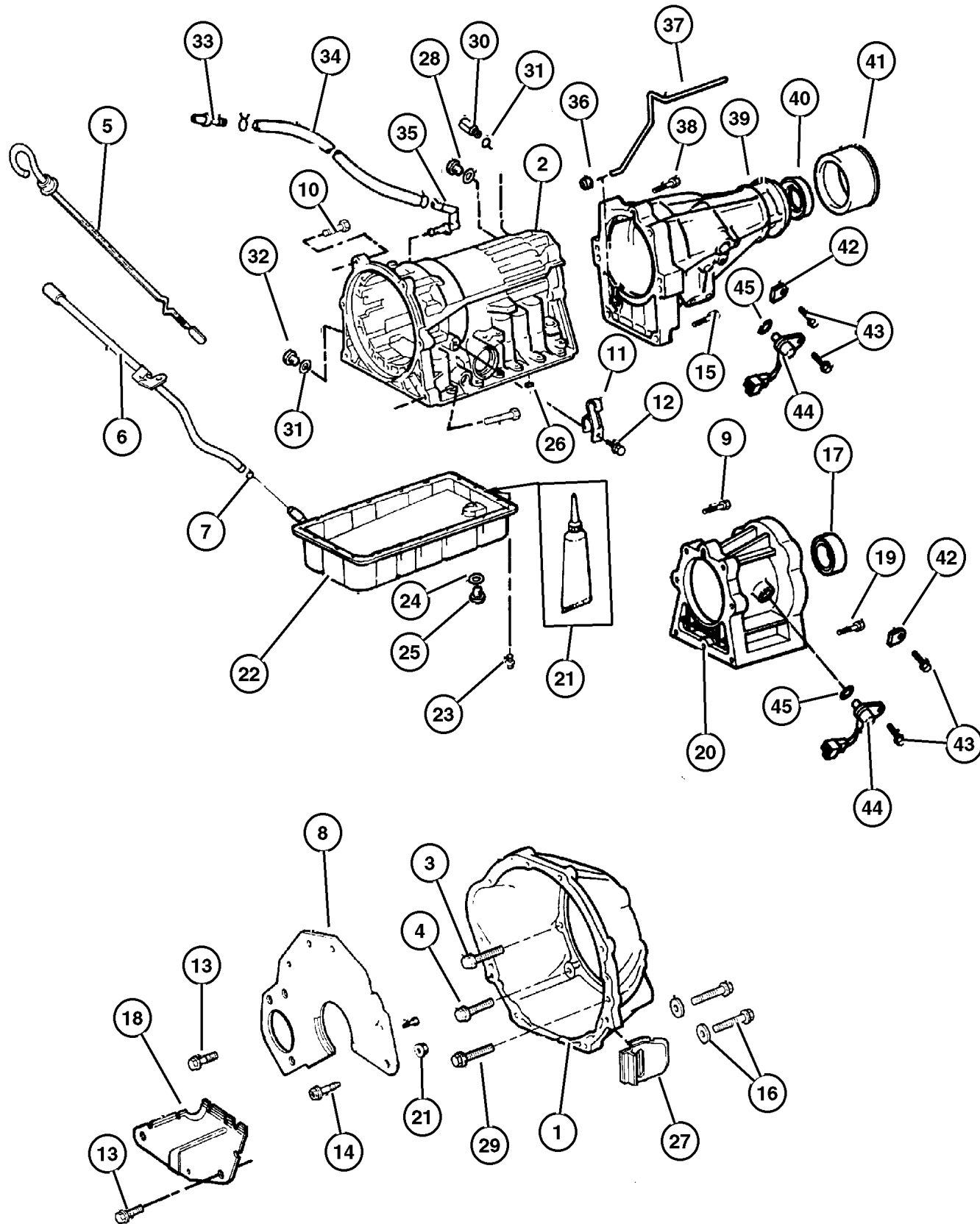


JEEP CHEROKEE (XJ)				
SERIES	LINE	BODY	ENGINE	TRANSMISSION
P = Limited	J = LHD (4WD)	74=4 Dr. (101.4 WB)	ENC, EN0 = 2.5L 4 Cyl Turbo	DDD = 5 Speed Manual
S = Limited	U = RHD (4WD)	72=2 Dr. (101.4 WB)	ERH, ER0 = 4.0L Power Tech	DGS = 4 Speed Auto AISIN
H = Sport	T = LHD (2WD)			DG0 = All Automatic Trans
L = SE	B = RHD (2WD)			DBB = All Manual Trans

AR = Use as required - = Non illustrated part # = New this model year

May 2, 2002

**Case and Related Parts AW4 (DGS)
Figure AW4-210**



ITEM	PART NUMBER	QTY	LINE	SERIES	ENGINE	TRANS	DESCRIPTION
Notes: Shocks----Check VIN Number for The Type of 'Z' Code Springs are on The Truck							
ER0 = All 4.0L 6 Cylinder Engines Shocks----Check VIN Number for The Type of 'Z' Code Springs are on The Truck							
DGS = Aisin Warner 4 Speed Automatic Transmission Shocks----Check VIN Number for The Type of 'Z' Code Springs are on The Truck							
Truck							
DG0 = All Automatic Transmissions Shocks----Check VIN Number for The Type of 'Z' Code Springs are on The Truck							
1							HOUSING, Torque Converter
	8350 4062	1	J, U			DGS	
		1	B, T			DGS	
2							CASE, Transmission
	4897 731AA	1	J, U			DGS	
		1	B, T			DGS	
3							BOLT, M10x1.50x35
	8350 3747	4	J, U			DGS	
		4	B, T			DGS	
4							BOLT
	4637 491	1	B, T			DGS	
		1	J, U			DGS	
5	5210 4146	1			ER0	DG0	INDICATOR, Transmission Fluid Level
6	53002 870AB	1			ER0	DG0	TUBE, Filler
7	5300 3977	1			ER0	DG0	O RING, Indicator Tube Oil Level, Transmission
8	53004 907AB	1			ER0	DG0	COVER, Converter
9	4637 494	2	J, U			DGS	BOLT, M10x1.5x100
10							BOLT AND WASHER, M8x16
	8350 3711	1	J, U			DGS	
		1	B, T			DGS	
11							CLAMP, Transmission
	8350 3715	1	J, U			DGS	
		1	B, T			DGS	
12							BOLT
	8350 3746	1	B, T			DGS	
		1	J, U			DGS	
13	1150 2850	4			ER0	DG0	BOLT, Hex Flange Head, M8x1.25x20
14							BOLT, Hex Head, M12x1.75x50
	1150 4922	2	B, T			DGS	
		2	J, U			DGS	
15	4637 492	3	B, T			DGS	BOLT, Transmission Case
16							BOLT AND WASHER, M10x1.5, (NOT SERVICED)
17							SEAL, Transmission Case
	8350 4048	1	B, T			DGS	
	8350 4055	1	J, U			DGS	
18	52118 078AB	1			ER0	DG0	COVER, Transmission Dust
19	4637 495	5	J, U			DGS	BOLT AND WASHER, M10x1.5x4

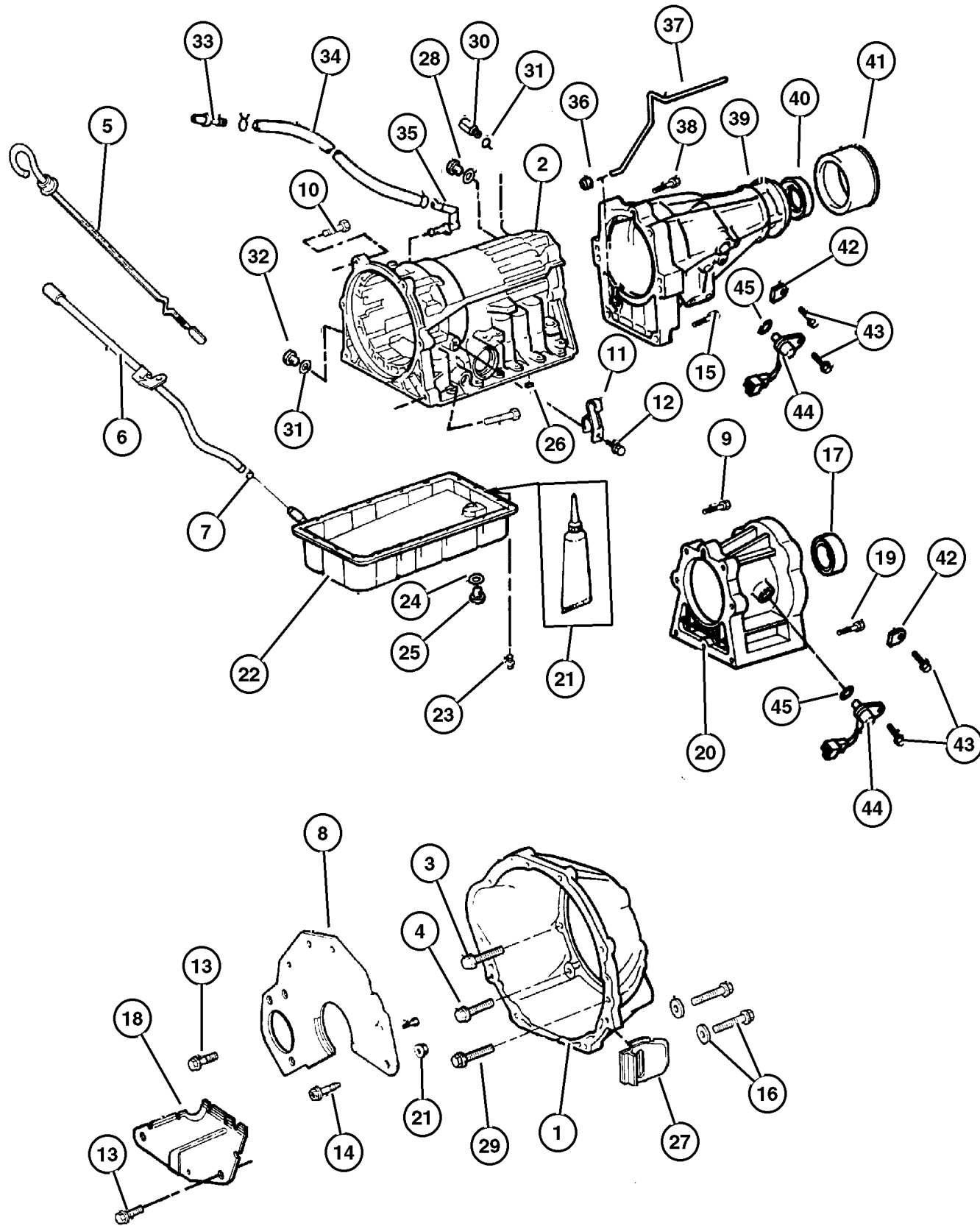
JEEP CHEROKEE (XJ)

SERIES	LINE	BODY	ENGINE	TRANSMISSION
P = Limited	J = LHD (4WD)	74=4 Dr. (101.4 WB)	ENC, EN0 = 2.5L 4 Cyl Turbo	DDD = 5 Speed Manual
S = Limited	U = RHD (4WD)	72=2 Dr. (101.4 WB)	ERH, ER0 = 4.0L Power Tech	DGS = 4 Speed Auto AISIN
H = Sport	T = LHD (2WD)			DG0 = All Automatic Trans
L = SE	B = RHD (2WD)			DBB = All Manual Trans

AR = Use as required - = Non illustrated part # = New this model year

May 2, 2002

**Case and Related Parts AW4 (DGS)
Figure AW4-210**



ITEM	PART NUMBER	QTY	LINE	SERIES	ENGINE	TRANS	DESCRIPTION
20	4897 739AA	1	J, U			DGS	ADAPTER, Transmission
21						DGS	GASKET, Transmission
	8350 4038	AR	B, T			DGS	
		AR	J, U			DGS	
22							PAN, Transmission Oil
	8350 4037	1	J, U			DGS	
		1	B, T			DGS	
23							BOLT, Oil Pan
	4637 548	19	J, U			DGS	
		19	B, T			DGS	
24							GASKET, Drain Plug
	8350 4040	1	J, U			DGS	
		1	B, T			DGS	
25							PLUG, Transmission
	8350 4041	1	J, U			DGS	
		1	B, T			DGS	
26							SEAL, Transmission
	5252 444	1	J, U			DGS	
		1	B, T			DGS	
27	5211 7660	1			ER0	DG0	GROMMET, Timing Probe
28							PLUG, Transmission Case
	8350 3749	2	B, T			DGS	
		2	J, U			DGS	
29							BOLT
	4637 491	1	B, T			DGS	
		1	J, U			DGS	
30							UNION, Transmission Oil Cooler
	8350 3728	2	J, U			DGS	
		2	B, T			DGS	
31							O RING, Oil Cooler
	8350 3727	2	B, T			DGS	
		2	J, U			DGS	
32							PLUG, Transmission Case
	8350 3749	2	B, T			DGS	
		2	J, U			DGS	
33							BREATHER, Transmission
	8350 3729	1	B, T			DGS	
	8350 3737	1	J, U			DGS	
34	8350 3720	1	J, U			DGS	HOSE, Transmission Vent
35	4897 739AA	1	J, U			DGS	ADAPTER, Transmission
36	8350 4052	1	B, T			DGS	SEAL, Transmission Vent
37							TUBE, Valve Body

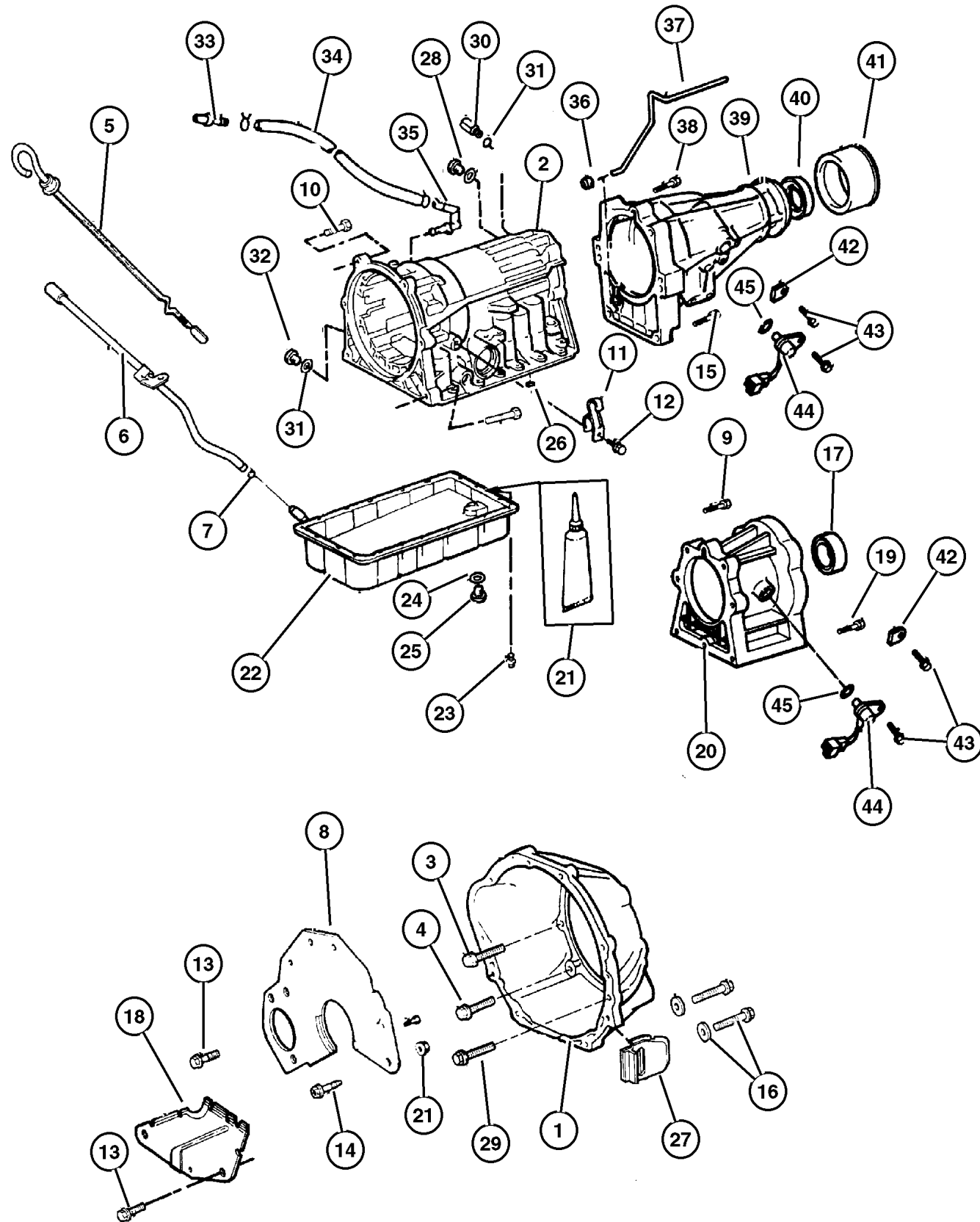
JEEP CHEROKEE (XJ)

SERIES	LINE	BODY	ENGINE	TRANSMISSION
P = Limited	J = LHD (4WD)	74=4 Dr. (101.4 WB)	ENC, EN0 = 2.5L 4 Cyl Turbo	DDD = 5 Speed Manual
S = Limited	U = RHD (4WD)	72=2 Dr. (101.4 WB)	ERH, ER0 = 4.0L Power Tech	DGS = 4 Speed Auto AISIN
H = Sport	T = LHD (2WD)			DG0 = All Automatic Trans
L = SE	B = RHD (2WD)			DBB = All Manual Trans

AR = Use as required - = Non illustrated part # = New this model year

May 2, 2002

Case and Related Parts AW4 (DGS)
Figure AW4-210



ITEM	PART NUMBER	QTY	LINE	SERIES	ENGINE	TRANS	DESCRIPTION
	8350 4334	2	B, T			DGS	
		2	J, U			DGS	
38	4637 493	4	B, T			DGS	BOLT AND WASHER, M10x1.5
39	4897 736AB	1	B, T			DGS	CASE, Transmission Rear
40						DGS	SEAL, Transmission Case
	8350 4048	1	B, T			DGS	
	8350 4055	1	J, U			DGS	
41	8350 4050	1	B, T			DGS	DEFLECTOR, Transfer Case Dust
42						DGS	PLATE, Retaining
	8350 3717	1	B, T			DGS	
43		1	J, U			DGS	SCREW AND CONED WASHER, Hex Head, M6x1.00x16.00
	3420 1808	2	B, T			DGS	
		2	J, U			DGS	
44						DGS	SENSOR, Vehicle Speed
	4897 734AA	2	J, U			DGS	
		2	B, T			DGS	
45						DGS	O RING, Trans Speedo Adapter
	5010 301AA	1	J, U			DGS	
		1	B, T			DGS	

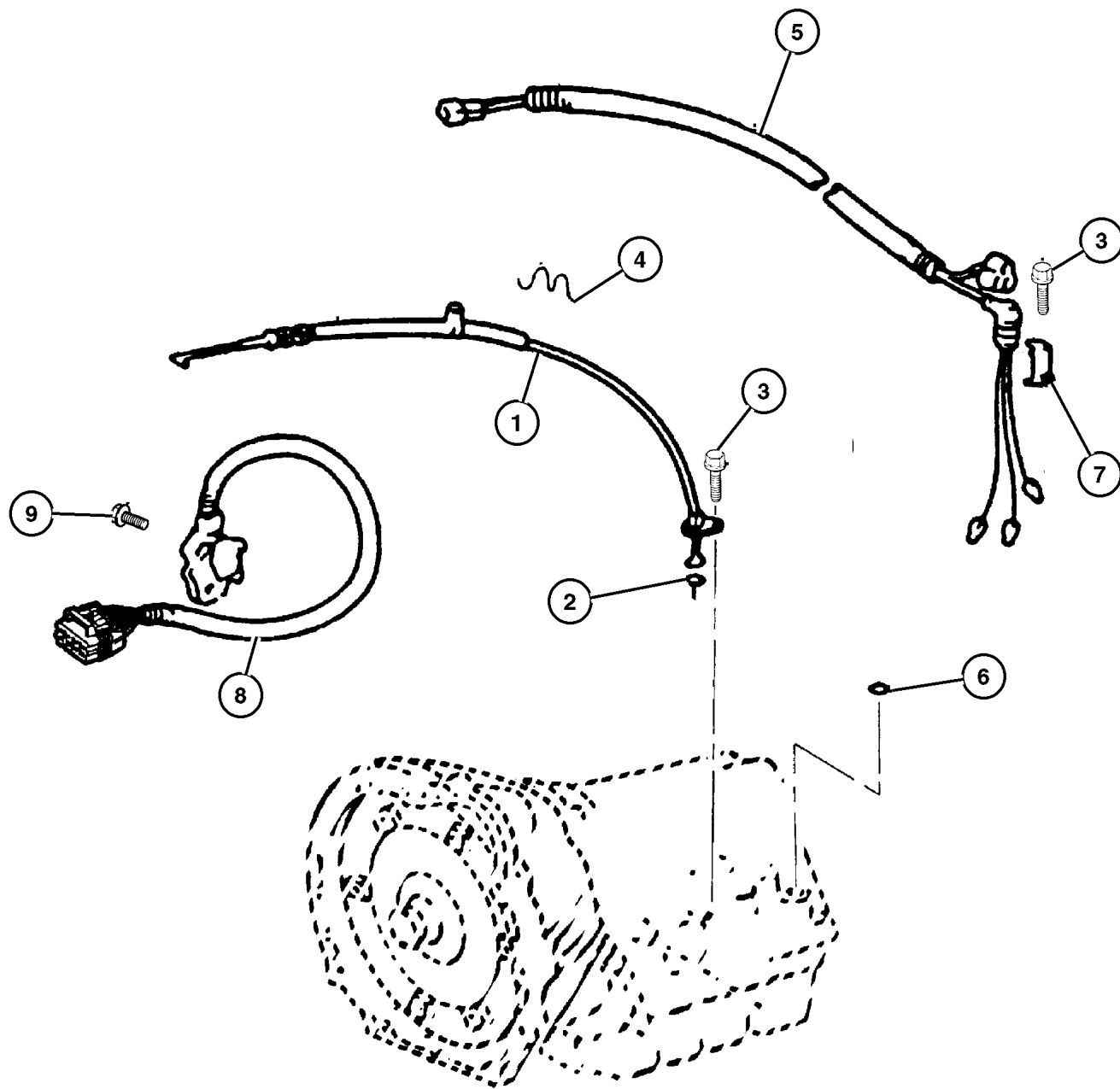
JEEP CHEROKEE (XJ)

SERIES	LINE	BODY	ENGINE	TRANSMISSION
P = Limited	J = LHD (4WD)	74=4 Dr. (101.4 WB)	ENC, EN0 = 2.5L 4 Cyl Turbo	DDD = 5 Speed Manual
S = Limited	U = RHD (4WD)	72=2 Dr. (101.4 WB)	ERH, ER0 = 4.0L Power Tech	DGS = 4 Speed Auto AISIN
H = Sport	T = LHD (2WD)			DG0 = All Automatic Trans
L = SE	B = RHD (2WD)			DBB = All Manual Trans

AR = Use as required - = Non illustrated part # = New this model year

May 2, 2002

**Linkage AW4 (DGS)
Figure AW4-220**



ITEM	PART NUMBER	QTY	LINE	SERIES	ENGINE	TRANS	DESCRIPTION
Note: Shocks----Check VIN Number for The Type of 'Z' Code Springs are on The Truck							
DGS = 4 Speed Automatic Transmission AW4 Shocks----Check VIN Number for The Type of 'Z' Code Springs are on The Truck							
ERH = 4.0L Power Tech Engine Shocks----Check VIN Number for The Type of 'Z' Code Springs are on The Truck							
1	5207 7578	1	J, U			DGS	CABLE, Throttle Control
		1	B, T			DGS	
2	8350 3708	1	J, U			DGS	O RING, Throttle Cable
		1	B, T			DGS	
3	3420 1808	2	B, T			DGS	SCREW AND CONED WASHER, Hex Head, M6x1.00x16.00
		2	J, U			DGS	
4	8350 3710	1	J, U			DGS	RETAINER, Throttle Cable Retention
		1	B, T			DGS	
5	4897 742AA	1	J, U			DGS	HARNES, Valve Body Solenoid
	4897 742AB	1	B, T			DGS	
6	8350 3719	1	J, U			DGS	O RING, Solenoid Connector Seal, Transmission
		1	B, T			DGS	
7	8350 3717	1	J, U			DGS	PLATE, Retaining
		1	B, T			DGS	
8	4882 173	1	J, U			DGS	SWITCH, Neutral, Safety, Back Up
		1	B, T			DGS	
9	8350 3714	1	J, U			DGS	BOLT, M8x1.25x30
		1	B, T			DGS	

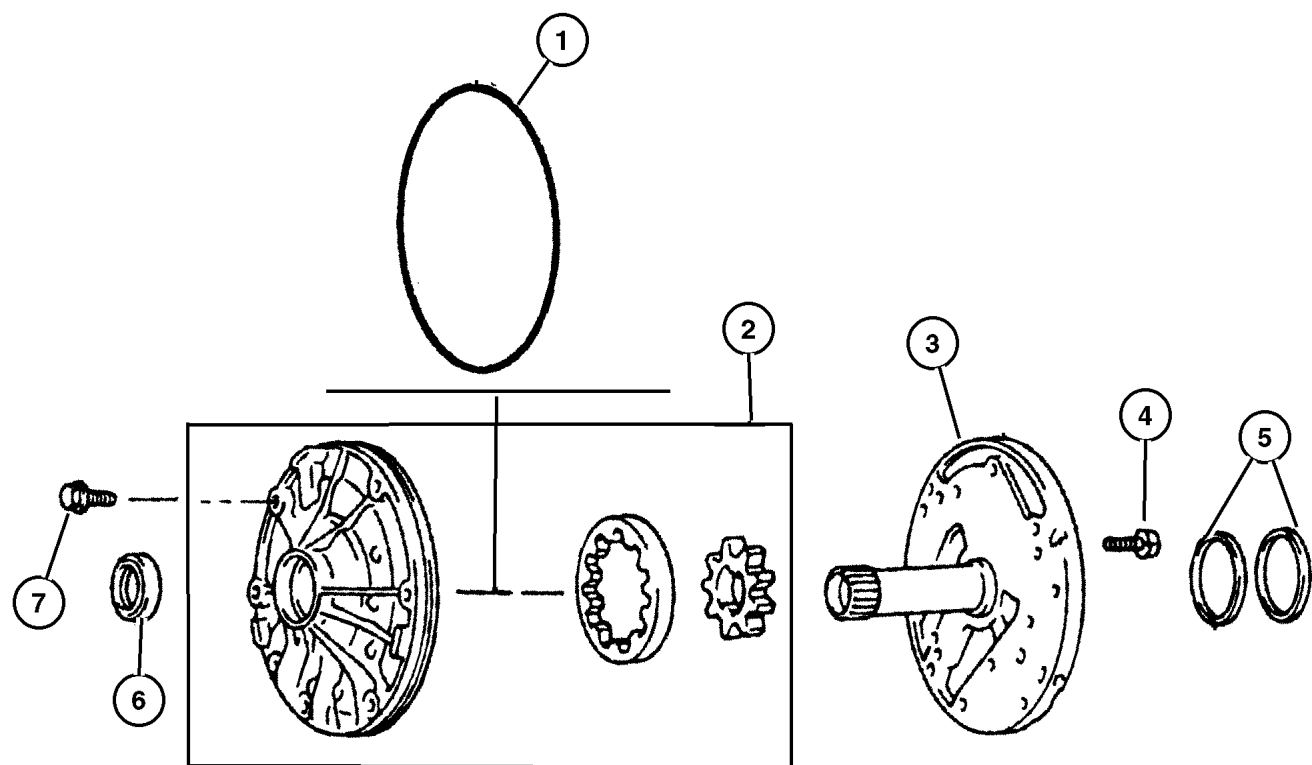
JEEP CHEROKEE (XJ)

SERIES	LINE	BODY	ENGINE	TRANSMISSION
P = Limited	J = LHD (4WD)	74=4 Dr. (101.4 WB)	ENC, EN0 = 2.5L 4 Cyl Turbo	DDD = 5 Speed Manual
S = Limited	U = RHD (4WD)	72=2 Dr. (101.4 WB)	ERH, ER0 = 4.0L Power Tech	DGS = 4 Speed Auto AISIN
H = Sport	T = LHD (2WD)			DG0 = All Automatic Trans
L = SE	B = RHD (2WD)			DBB = All Manual Trans

AR = Use as required - = Non illustrated part # = New this model year

May 2, 2002

Oil Pump AW4 (DGS) Figure AW4-310



ITEM	PART NUMBER	QTY	LINE	SERIES	ENGINE	TRANS	DESCRIPTION
Notes: Shocks----Check VIN Number for The Type of 'Z' Code Springs are on The Truck							
DGS = Aisin Warner 4 Speed Automatic Transmission Shocks----Check VIN Number for The Type of 'Z' Code Springs are on The Truck							
1	8350 3758	1	J, U			DGS	O RING, Transmission Pump Assy
2	8350 4283	1	B, T			DGS	HOUSING, Pump
3	4626 166	1	J, U			DGS	STATOR, Support
4	4626 167	13	J, U			DGS	BOLT AND WASHER, Hex Head, M6x1.0x16
5	8350 3757	4	B, T			DGS	SEAL, Pump Reaction Shaft
6	8350 3752	1	J, U			DGS	SEAL, Transmission Oil Pump
7	8350 3759	7	J, U			DGS	BOLT

JEEP CHEROKEE (XJ)

SERIES	LINE	BODY	ENGINE	TRANSMISSION
P = Limited	J = LHD (4WD)	74=4 Dr. (101.4 WB)	ENC, EN0 = 2.5L 4 Cyl Turbo	DDD = 5 Speed Manual
S = Limited	U = RHD (4WD)	72=2 Dr. (101.4 WB)	ERH, ER0 = 4.0L Power Tech	DGS = 4 Speed Auto AISIN
H = Sport	T = LHD (2WD)			DG0 = All Automatic Trans
L = SE	B = RHD (2WD)			DBB = All Manual Trans

AR = Use as required - = Non illustrated part # = New this model year

May 2, 2002

**Overdrive Clutch AW4 (DGS)
Figure AW4-410**

ITEM	PART NUMBER	QTY	LINE	SERIES	ENGINE	TRANS	DESCRIPTION
------	-------------	-----	------	--------	--------	-------	-------------

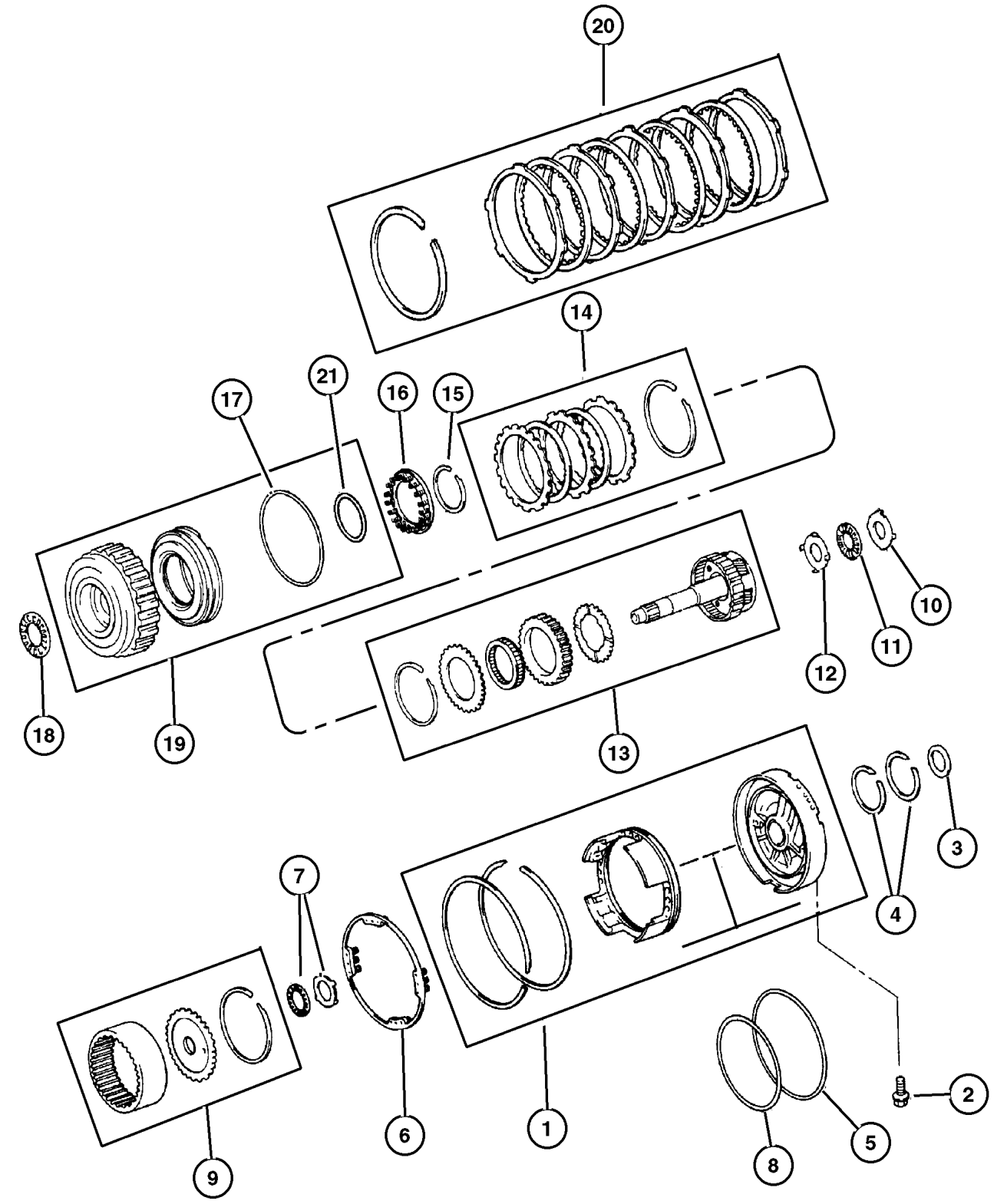
Notes: Shocks----Check VIN Number for The Type of 'Z' Code Springs are on The Truck
DGS = Aisin Warner 4 Speed Automatic Transmission Shocks----Check VIN Number for The Type of 'Z' Code Springs are on The Truck

1	5016 293AA	1	J, U			DGS	OVERDRIVE PACKAGE, Support and Piston
		1	B, T			DGS	
2	4796 568	2	J, U			DGS	BOLT, Overdrive Support
		2	B, T			DGS	
3	8350 3801	1	J, U			DGS	RACE, Thrust Bearing
		1	B, T			DGS	
4	8350 3757	2	J, U			DGS	SEAL, Pump Reaction Shaft
		4	B, T			DGS	
5	4636 782	1	J, U			DGS	O RING, O/Drive Support Outer, Transmission
		1	B, T			DGS	
6	5011 234AA	1	J, U			DGS	SPRING, Overdrive Brake Return
		1	B, T			DGS	
7	4637 023	1	J, U			DGS	THRUST BEARING PACKAGE, Overdrive
		1	B, T			DGS	
8	4636 783	1	J, U			DGS	O RING, O/Drive Support Inner, Transmission
		1	B, T			DGS	
9	4886 128AA	1	J, U			DGS	GEAR PACKAGE, Planetary Overdrive
	4636 978	1	B, T			DGS	
10	8350 3916	1	J, U			DGS	RACE, Thrust Bearing
		1	B, T			DGS	
11	8350 3802	1	J, U			DGS	THRUST BEARING
		1	B, T			DGS	
12	8350 3915	1	J, U			DGS	RACE, Thrust Bearing
		1	B, T			DGS	
13	4886 128AA	1	B, T			DGS	GEAR PACKAGE, Planetary Overdrive
		1	J, U			DGS	
14							CLUTCH PACKAGE, Direct Clutch

JEEP CHEROKEE (XJ)				
SERIES	LINE	BODY	ENGINE	TRANSMISSION
P = Limited	J = LHD (4WD)	74=4 Dr. (101.4 WB)	ENC, EN0 = 2.5L 4 Cyl Turbo	DDD = 5 Speed Manual
S = Limited	U = RHD (4WD)	72=2 Dr. (101.4 WB)	ERH, ER0 = 4.0L Power Tech	DGS = 4 Speed Auto AISIN
H = Sport	T = LHD (2WD)			DG0 = All Automatic Trans
L = SE	B = RHD (2WD)			DBB = All Manual Trans

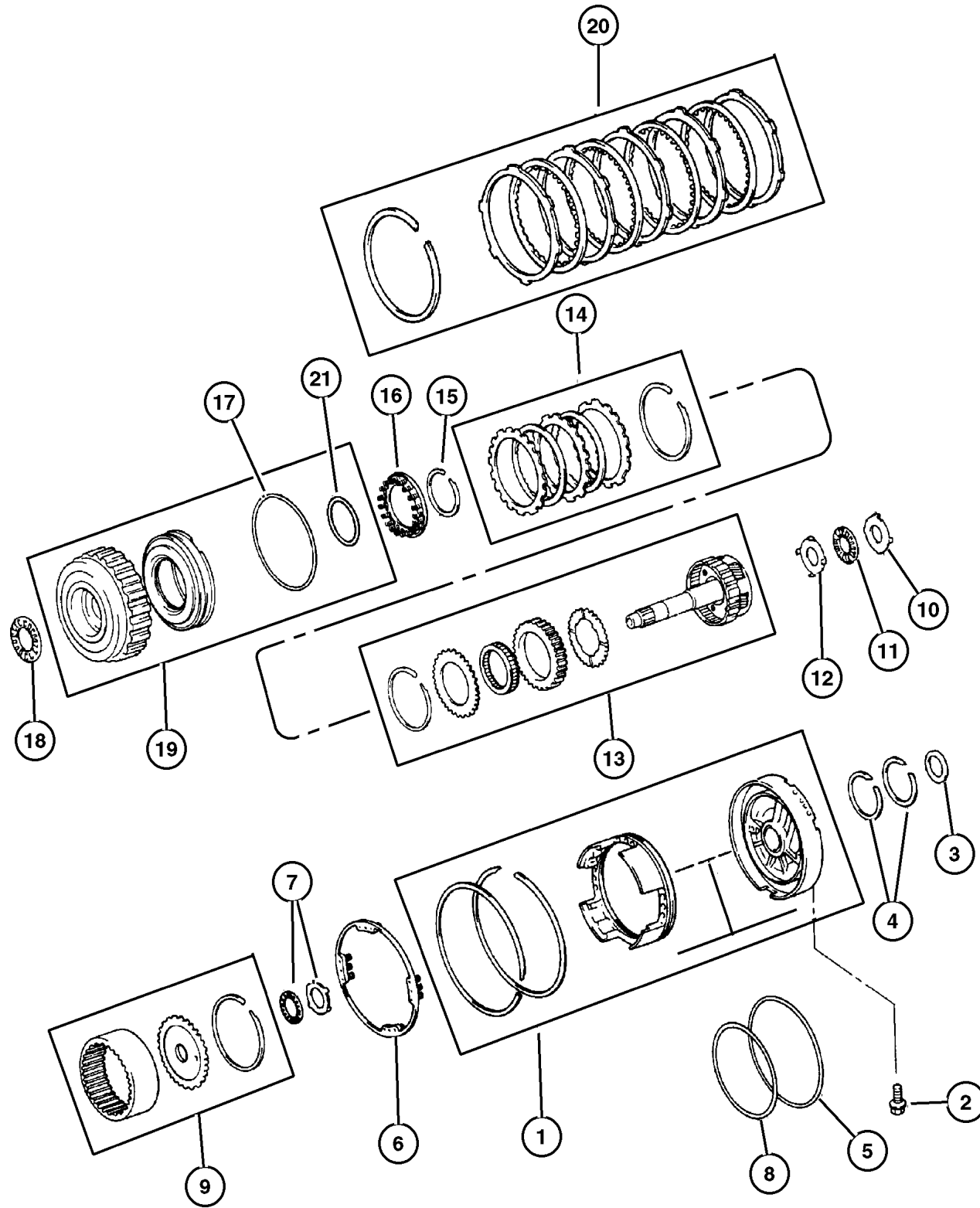
AR = Use as required - = Non illustrated part # = New this model year

May 2, 2002



Overdrive Clutch AW4 (DGS)
Figure AW4-410

ITEM	PART NUMBER	QTY	LINE	SERIES	ENGINE	TRANS	DESCRIPTION
	4886 127AA	AR	J, U			DGS	
	4886 043AA	1	B, T			DGS	
15	8350 3810	1	J, U			DGS	SNAP RING
		1	B, T			DGS	
16	8350 3928	1	J, U			DGS	SPRING, Piston Return
		1	B, T			DGS	
17	8350 3926	1	J, U			DGS	O RING, Transmission Clutch Piston Outer
		1	B, T			DGS	
18							BEARING, (NOT SERVICED)
19							DRUM PACKAGE, Transmission
	4637 025AB	1	J, U			DGS	
		1	B, T			DGS	
20	4883 921AA	1	J, U			DGS	DISC AND PLATE PACKAGE
		1	B, T			DGS	
21	8350 3811	1	J, U			DGS	O RING, Transmission Clutch Piston Inner
		1	B, T			DGS	



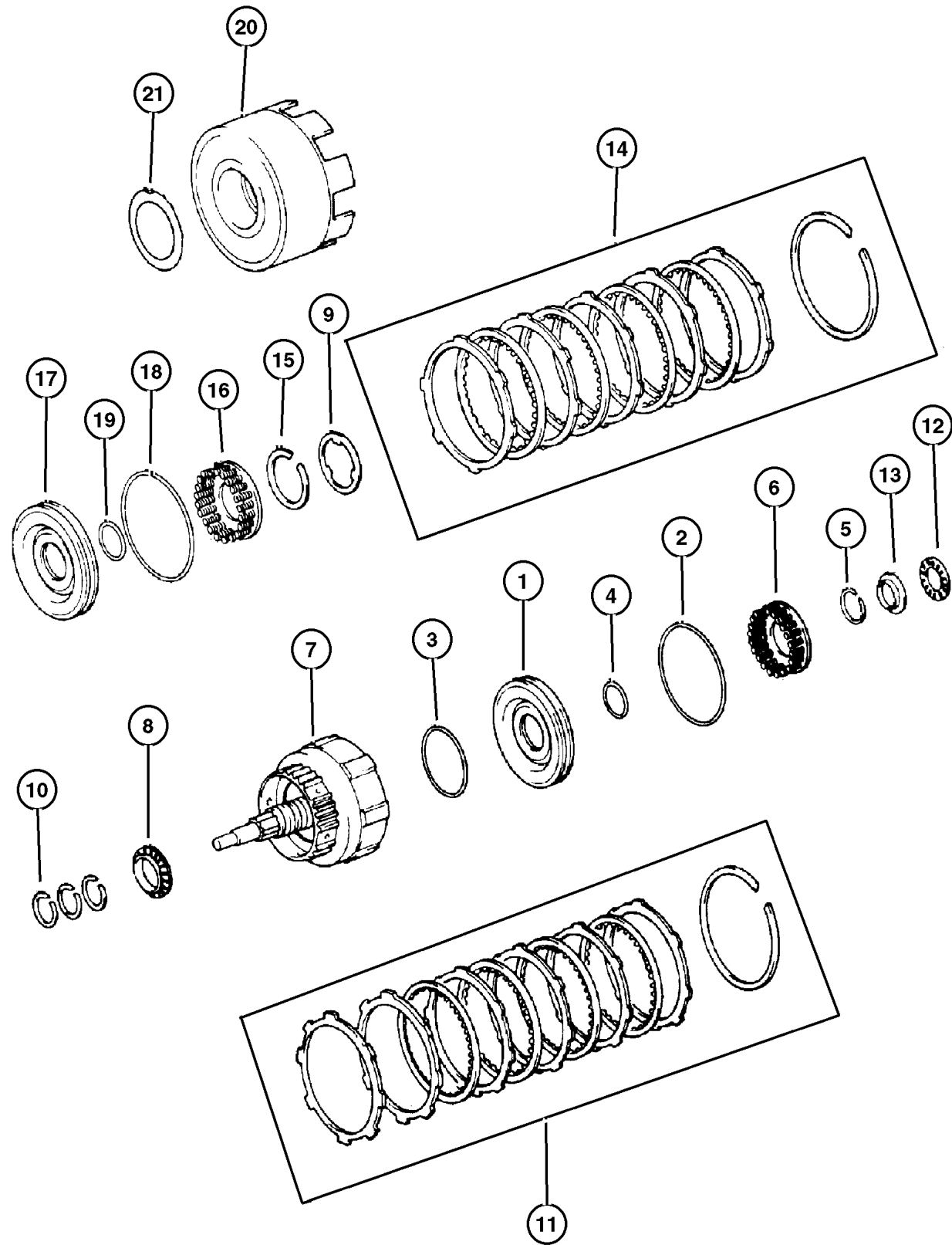
JEEP CHEROKEE (XJ)

SERIES	LINE	BODY	ENGINE	TRANSMISSION
P = Limited	J = LHD (4WD)	74=4 Dr. (101.4 WB)	ENC, EN0 = 2.5L 4 Cyl Turbo	DDD = 5 Speed Manual
S = Limited	U = RHD (4WD)	72=2 Dr. (101.4 WB)	ERH, ER0 = 4.0L Power Tech	DGS = 4 Speed Auto AISIN
H = Sport	T = LHD (2WD)			DG0 = All Automatic Trans
L = SE	B = RHD (2WD)			DBB = All Manual Trans

AR = Use as required - = Non illustrated part # = New this model year

May 2, 2002

**Clutches, Forward and Direct AW4 (DGS)
Figure AW4-420**



ITEM	PART NUMBER	QTY	LINE	SERIES	ENGINE	TRANS	DESCRIPTION
Notes: Shocks----Check VIN Number for The Type of 'Z' Code Springs are on The Truck							
DGS = Aisin Warner 4 Speed Automatic Transmission Shocks----Check VIN Number for The Type of 'Z' Code Springs are on The Truck							
1							PISTON, Clutch
	4636 683	1	J, U			DGS	
		1	B, T			DGS	
2							O RING, Transmission Clutch
	4637 006	1	J, U			DGS	
		1	B, T			DGS	
3							O RING, Transmission Clutch
	4626 170	1	J, U			DGS	
		1	B, T			DGS	
4							O RING, Transmission Clutch
	4626 170	1	J, U			DGS	
		1	B, T			DGS	
5							SNAP RING
	8350 3792	1	J, U			DGS	
		1	B, T			DGS	
6							SPRING, Clutch
	8350 3793	1	J, U			DGS	
		1	B, T			DGS	
7							INPUT SHAFT, Transmission
	4626 169	1	J, U			DGS	
		1	B, T			DGS	
8							BEARING, Forward Clutch
	8350 3785	1	J, U			DGS	
		1	B, T			DGS	
9							THRUST WASHER, Direct Clutch
	8350 3825	1	J, U			DGS	
		1	B, T			DGS	
10							SEAL, Input Shaft
	8350 3799	3	J, U			DGS	
		3	B, T			DGS	
11							CLUTCH, Front
	4637 022	1	J, U			DGS	
		1	B, T			DGS	
12							THRUST BEARING
	8350 3802	1	J, U			DGS	
		1	B, T			DGS	
13							RACE, Thrust Bearing
	8350 3800	1	J, U			DGS	
		1	B, T			DGS	
14							CLUTCH PACKAGE, Direct Clutch

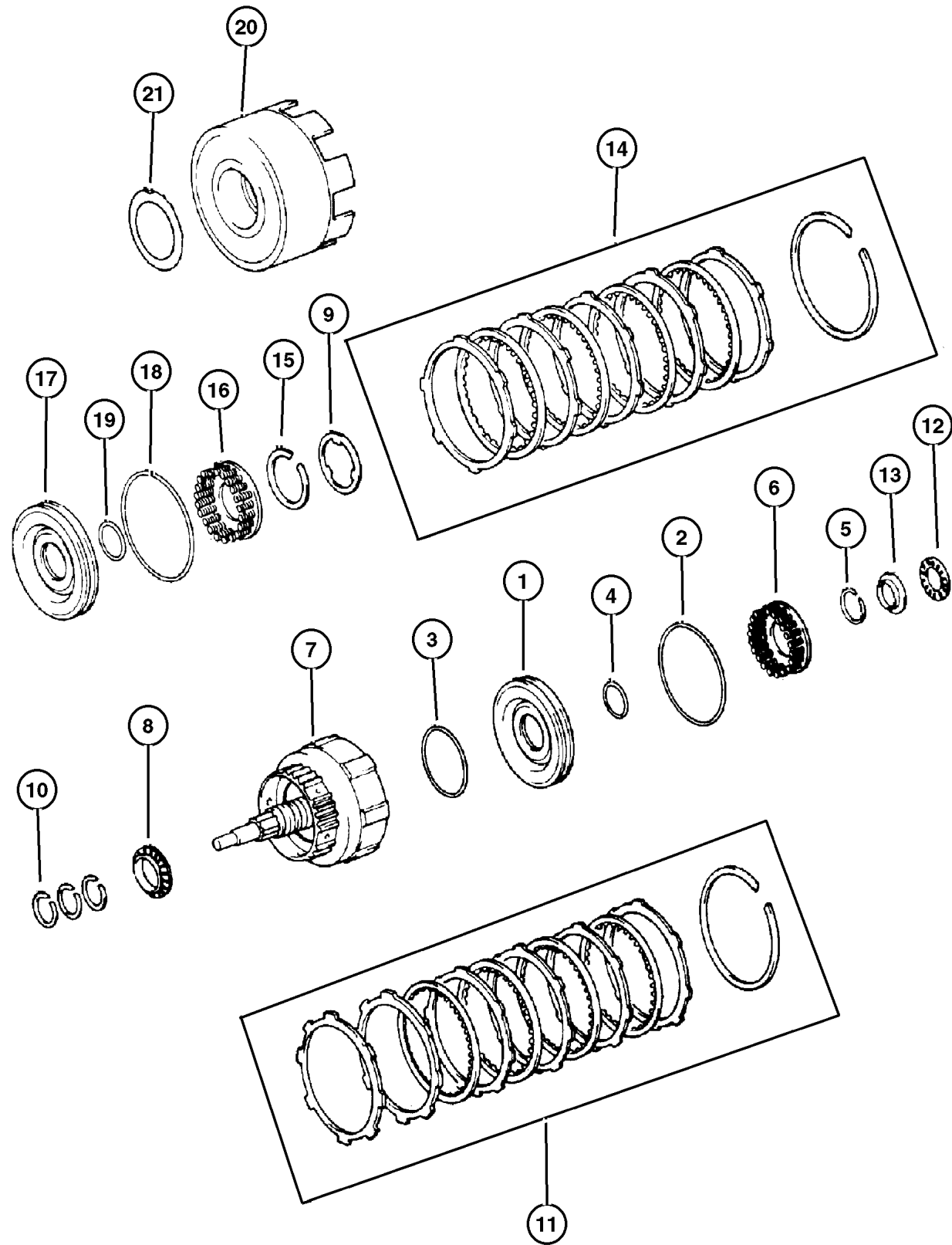
JEEP CHEROKEE (XJ)

SERIES	LINE	BODY	ENGINE	TRANSMISSION
P = Limited	J = LHD (4WD)	74=4 Dr. (101.4 WB)	ENC, EN0 = 2.5L 4 Cyl Turbo	DDD = 5 Speed Manual
S = Limited	U = RHD (4WD)	72=2 Dr. (101.4 WB)	ERH, ER0 = 4.0L Power Tech	DGS = 4 Speed Auto AISIN
H = Sport	T = LHD (2WD)			DG0 = All Automatic Trans
L = SE	B = RHD (2WD)			DBB = All Manual Trans

AR = Use as required - = Non illustrated part # = New this model year

May 2, 2002

Clutches, Forward and Direct AW4 (DGS)
Figure AW4-420



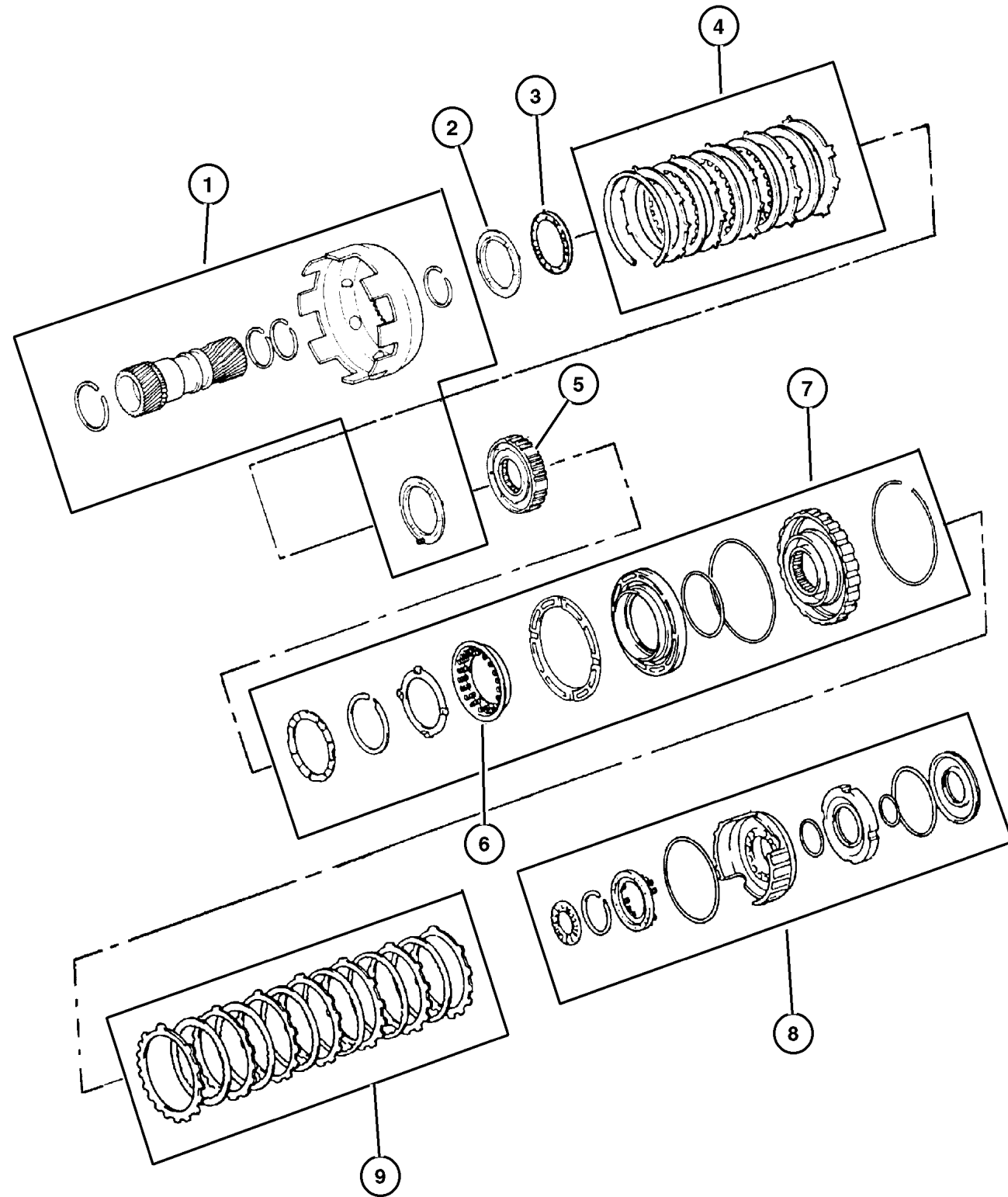
ITEM	PART NUMBER	QTY	LINE	SERIES	ENGINE	TRANS	DESCRIPTION
	4886 127AA	AR	B, T			DGS	
		AR	J, U			DGS	
15	8350 3792	1	J, U			DGS	SNAP RING
		1	B, T			DGS	
16	8350 3793	1	J, U			DGS	SPRING, Clutch
		1	B, T			DGS	
17							PISTON, Clutch
	4636 683	1	J, U			DGS	
		1	B, T			DGS	
18							O RING, Transmission Clutch
	4637 006	AR	J, U			DGS	
		1	B, T			DGS	
19	8350 3811	1	J, U			DGS	O RING, Transmission Clutch Piston Inner
		1	B, T			DGS	
20	5016 122AA	1	B, T			DGS	DRUM, Automatic Transmission
		1	J, U			DGS	
21	8350 3825	1	B, T			DGS	THRUST WASHER, Direct Clutch
		1	J, U			DGS	

JEEP CHEROKEE (XJ)
 SERIES LINE BODY ENGINE TRANSMISSION
 P = Limited J = LHD (4WD) 74=4 Dr. (101.4 WB) ENC, EN0 = 2.5L 4 Cyl Turbo DDD = 5 Speed Manual
 S = Limited U = RHD (4WD) 72=2 Dr. (101.4 WB) ERH, ER0 = 4.0L Power Tech DGS = 4 Speed Auto AISIN
 H = Sport T = LHD (2WD) DG0 = All Automatic Trans
 L = SE B = RHD (2WD) DBB = All Manual Trans

AR = Use as required - = Non illustrated part # = New this model year

May 2, 2002

**Clutch and Sun Gear AW4 (DGS)
Figure AW4-430**



ITEM	PART NUMBER	QTY	LINE	SERIES	ENGINE	TRANS	DESCRIPTION
------	-------------	-----	------	--------	--------	-------	-------------

Notes: Shocks----Check VIN Number for The Type of 'Z' Code Springs are on The Truck
DGS = Aisin Warner 4 Speed Automatic Transmission Shocks----Check VIN Number for The Type of 'Z' Code Springs are on The Truck

1	4637 035	1	J, U			DGS	GEAR PACKAGE, Sun
		1	B, T			DGS	
2	8350 3872	1	J, U			DGS	RACE, Thrust Bearing
		1	B, T			DGS	
3	8350 3878	1	J, U			DGS	THRUST BEARING, Needle Roller
		1	B, T			DGS	
4	4886 124AA	1	J, U			DGS	REPAIR PACKAGE, 2nd Brake Coast
		1	B, T			DGS	
5	4637 008	1	J, U			DGS	CLUTCH, Overrunning
		1	B, T			DGS	
6	8350 3837	1	J, U			DGS	SPRING, Return 2nd Brake
		1	B, T			DGS	
7	4636 979	1	J, U			DGS	REPAIR PACKAGE, 2nd Brake Coast
		1	B, T			DGS	
8	4637 032	1	J, U			DGS	GEAR PACKAGE, First And Reverse
		1	B, T			DGS	
9	4883 921AA	1	J, U			DGS	DISC AND PLATE PACKAGE
		1	B, T			DGS	

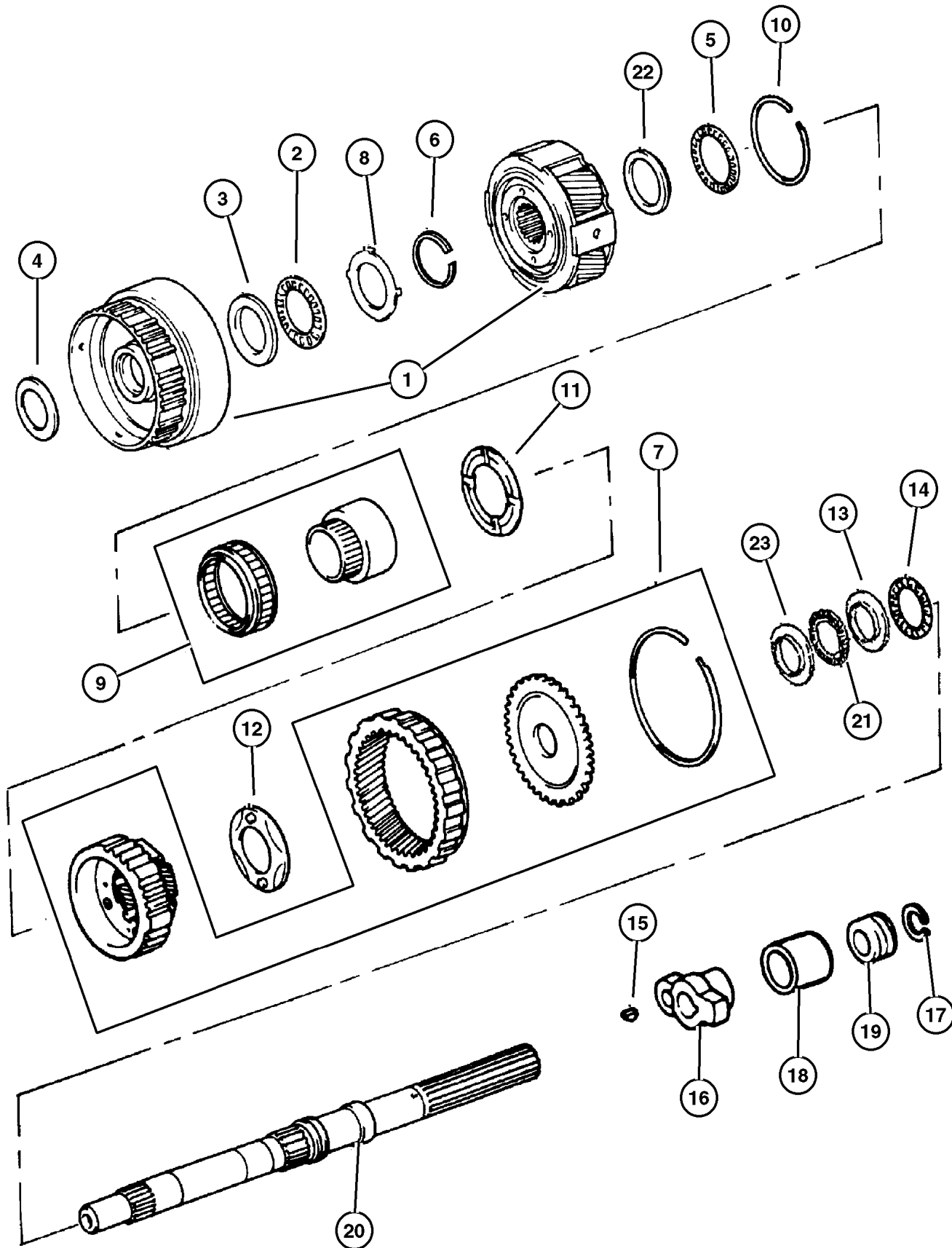
JEEP CHEROKEE (XJ)

SERIES	LINE	BODY	ENGINE	TRANSMISSION
P = Limited	J = LHD (4WD)	74=4 Dr. (101.4 WB)	ENC, EN0 = 2.5L 4 Cyl Turbo	DDD = 5 Speed Manual
S = Limited	U = RHD (4WD)	72=2 Dr. (101.4 WB)	ERH, ER0 = 4.0L Power Tech	DGS = 4 Speed Auto AISIN
H = Sport	T = LHD (2WD)			DG0 = All Automatic Trans
L = SE	B = RHD (2WD)			DBB = All Manual Trans

AR = Use as required - = Non illustrated part # = New this model year

May 2, 2002

**Gear Train AW4 (DGS)
Figure AW4-440**



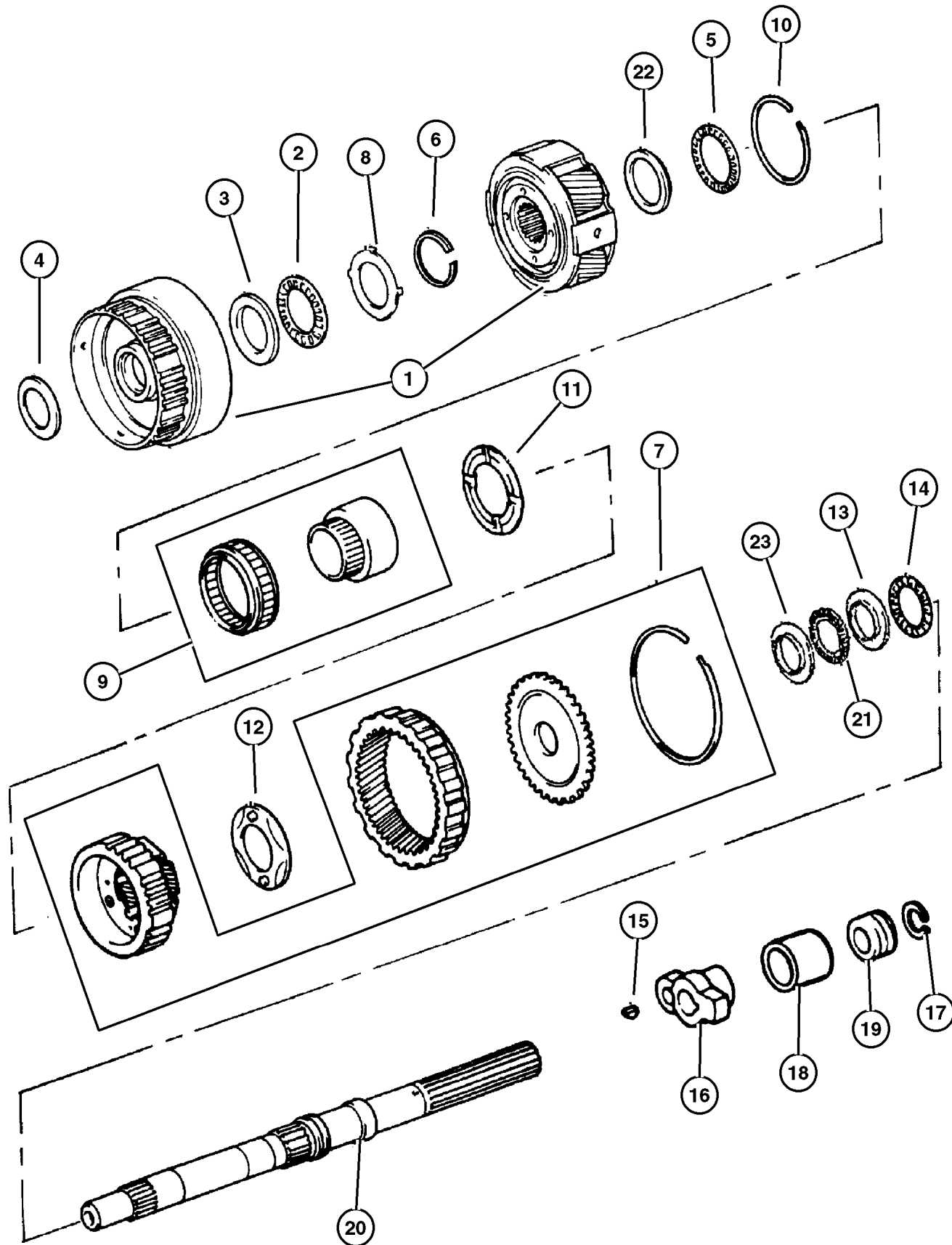
ITEM	PART NUMBER	QTY	LINE	SERIES	ENGINE	TRANS	DESCRIPTION
Notes: Shocks----Check VIN Number for The Type of 'Z' Code Springs are on The Truck							
DGS = Aisin Warner 4 Speed Automatic Transmission Shocks----Check VIN Number for The Type of 'Z' Code Springs are on The Truck							
1	8350 4326	1	J, U			DGS	GEAR, Planetary
2	8350 3802	1	B, T			DGS	THRUST BEARING
3	4637 023	1	J, U			DGS	THRUST BEARING PACKAGE, Overdrive
4	8350 3801	1	B, T			DGS	RACE, Thrust Bearing
5	8350 3878	1	J, U			DGS	THRUST BEARING, Needle Roller
6	8350 3879	1	J, U			DGS	SNAP RING
7	4637 024	1	J, U			DGS	GEAR PACKAGE, Planetary Overdrive
8	4637 023	1	B, T			DGS	THRUST BEARING PACKAGE, Overdrive
9	4637 036	1	J, U			DGS	CLUTCH PACKAGE
10	8350 3890	1	J, U			DGS	SNAP RING
11	8350 3891	1	J, U			DGS	THRUST WASHER, Planetary Carrier
12	8350 3893	1	J, U			DGS	THRUST WASHER, Planetary Carrier
13	8350 3887	1	J, U			DGS	RACE, Thrust Bearing
14		1	B, T			DGS	THRUST BEARING, Needle Roller

JEEP CHEROKEE (XJ)
 SERIES LINE BODY ENGINE TRANSMISSION
 P = Limited J = LHD (4WD) 74=4 Dr. (101.4 WB) ENC, EN0 = 2.5L 4 Cyl Turbo DDD = 5 Speed Manual
 S = Limited U = RHD (4WD) 72=2 Dr. (101.4 WB) ERH, ER0 = 4.0L Power Tech DGS = 4 Speed Auto AISIN
 H = Sport T = LHD (2WD) DG0 = All Automatic Trans
 L = SE B = RHD (2WD) DBB = All Manual Trans

AR = Use as required - = Non illustrated part # = New this model year

May 2, 2002

**Gear Train AW4 (DGS)
Figure AW4-440**



ITEM	PART NUMBER	QTY	LINE	SERIES	ENGINE	TRANS	DESCRIPTION
	8350 3897	1	J, U			DGS	
		1	B, T			DGS	
15	8350 3947	1	J, U			DGS	KEY, Woodruff
		1	B, T			DGS	
16							SENSOR, Transmission Output Speed
	4897 740AA	1	J, U			DGS	
	4897 740AB	1	B, T			DGS	
17	8350 3943	1	J, U			DGS	SNAP RING
18	8350 3705	1	B, T			DGS	SPACER, Speedometer Gear
19	8350 3704	1	B, T			DGS	GEAR, Speedometer Drive
20	4636 789	1	J, U			DGS	MAINSHAFT, Transmission
21							THRUST BEARING, Needle Roller
	8350 3885	1	J, U			DGS	
		1	B, T			DGS	
22							RACE, Thrust Bearing
	8350 3877	1	J, U			DGS	
		1	B, T			DGS	
23							RACE, Thrust Bearing
	8350 3886	1	J, U			DGS	
		1	B, T			DGS	

JEEP CHEROKEE (XJ)

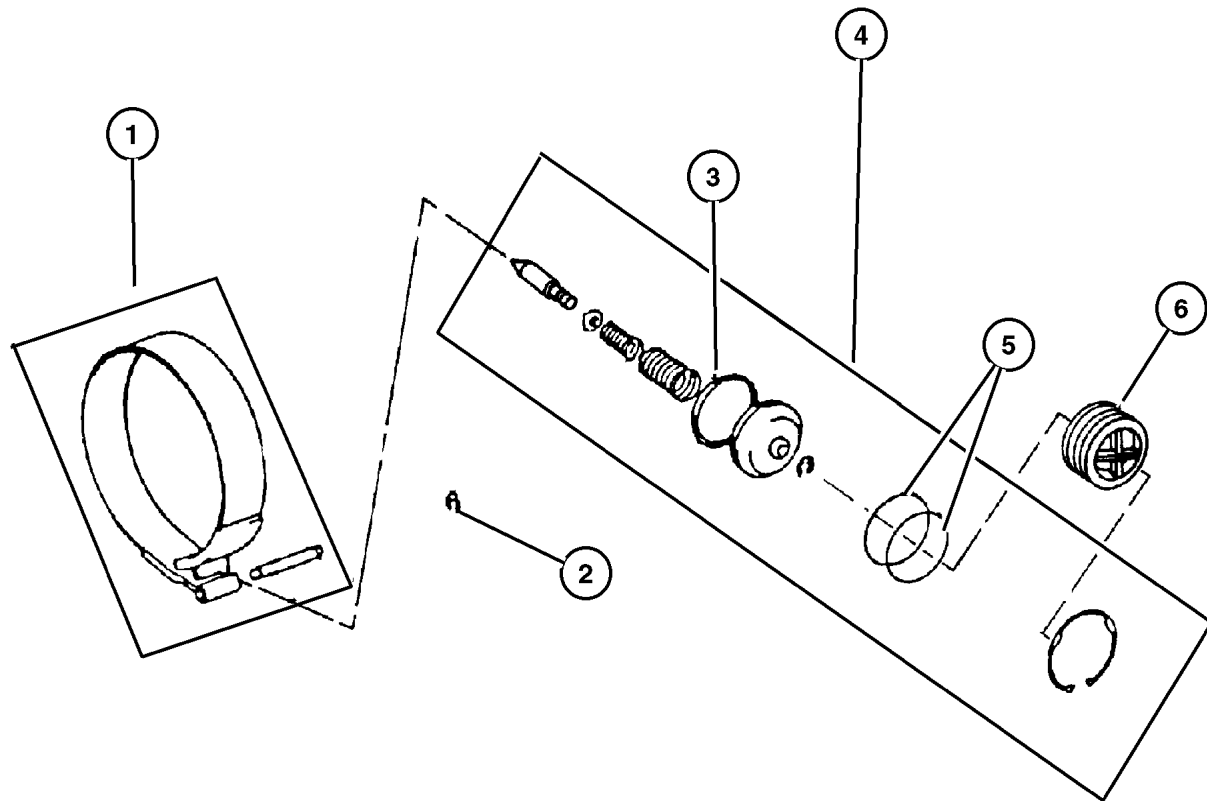
SERIES	LINE	BODY	ENGINE	TRANSMISSION
P = Limited	J = LHD (4WD)	74=4 Dr. (101.4 WB)	ENC, EN0 = 2.5L 4 Cyl Turbo	DDD = 5 Speed Manual
S = Limited	U = RHD (4WD)	72=2 Dr. (101.4 WB)	ERH, ER0 = 4.0L Power Tech	DGS = 4 Speed Auto AISIN
H = Sport	T = LHD (2WD)			DG0 = All Automatic Trans
L = SE	B = RHD (2WD)			DBB = All Manual Trans

AR = Use as required - = Non illustrated part # = New this model year

May 2, 2002

**Bands AW4 (DGS)
Figure AW4-510**

ITEM	PART NUMBER	QTY	LINE	SERIES	ENGINE	TRANS	DESCRIPTION
Notes: Shocks----Check VIN Number for The Type of 'Z' Code Springs are on The Truck							
DGS = Aisin Warner 4 Speed Automatic Transmission Shocks----Check VIN Number for The Type of 'Z' Code Springs are on The Truck							
1	4886 125AA	1	J, U			DGS	BAND PACKAGE, Transmission Brake
		1	B, T			DGS	
2							E RING, (NOT SERVICED)
3	8350 3849	1	J, U			DGS	SEAL, Transmission Brake
		1	B, T			DGS	
4	8350 4299	1	J, U			DGS	PISTON, Brake
		1	B, T			DGS	
5	8350 3855	2	J, U			DGS	O RING, Transmission Coast Break
		2	B, T			DGS	
6	8350 3853	1	J, U			DGS	COVER, Brake Band
		1	B, T			DGS	

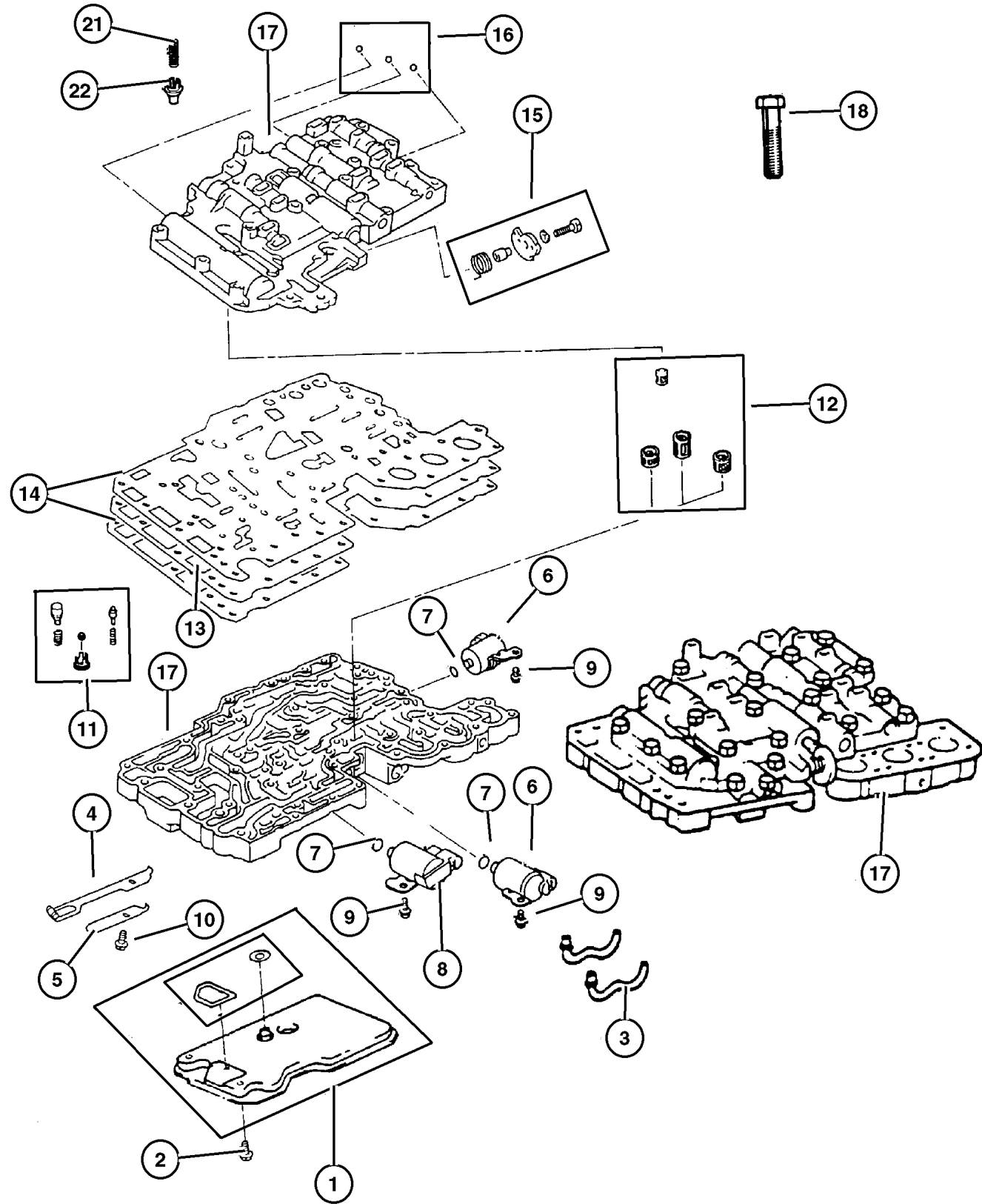


JEEP CHEROKEE (XJ)				
SERIES	LINE	BODY	ENGINE	TRANSMISSION
P = Limited	J = LHD (4WD)	74=4 Dr. (101.4 WB)	ENC, EN0 = 2.5L 4 Cyl Turbo	DDD = 5 Speed Manual
S = Limited	U = RHD (4WD)	72=2 Dr. (101.4 WB)	ERH, ER0 = 4.0L Power Tech	DGS = 4 Speed Auto AISIN
H = Sport	T = LHD (2WD)			DG0 = All Automatic Trans
L = SE	B = RHD (2WD)			DBB = All Manual Trans

AR = Use as required - = Non illustrated part # = New this model year

May 2, 2002

Valve Body AW4 (DGS) Figure AW4-710



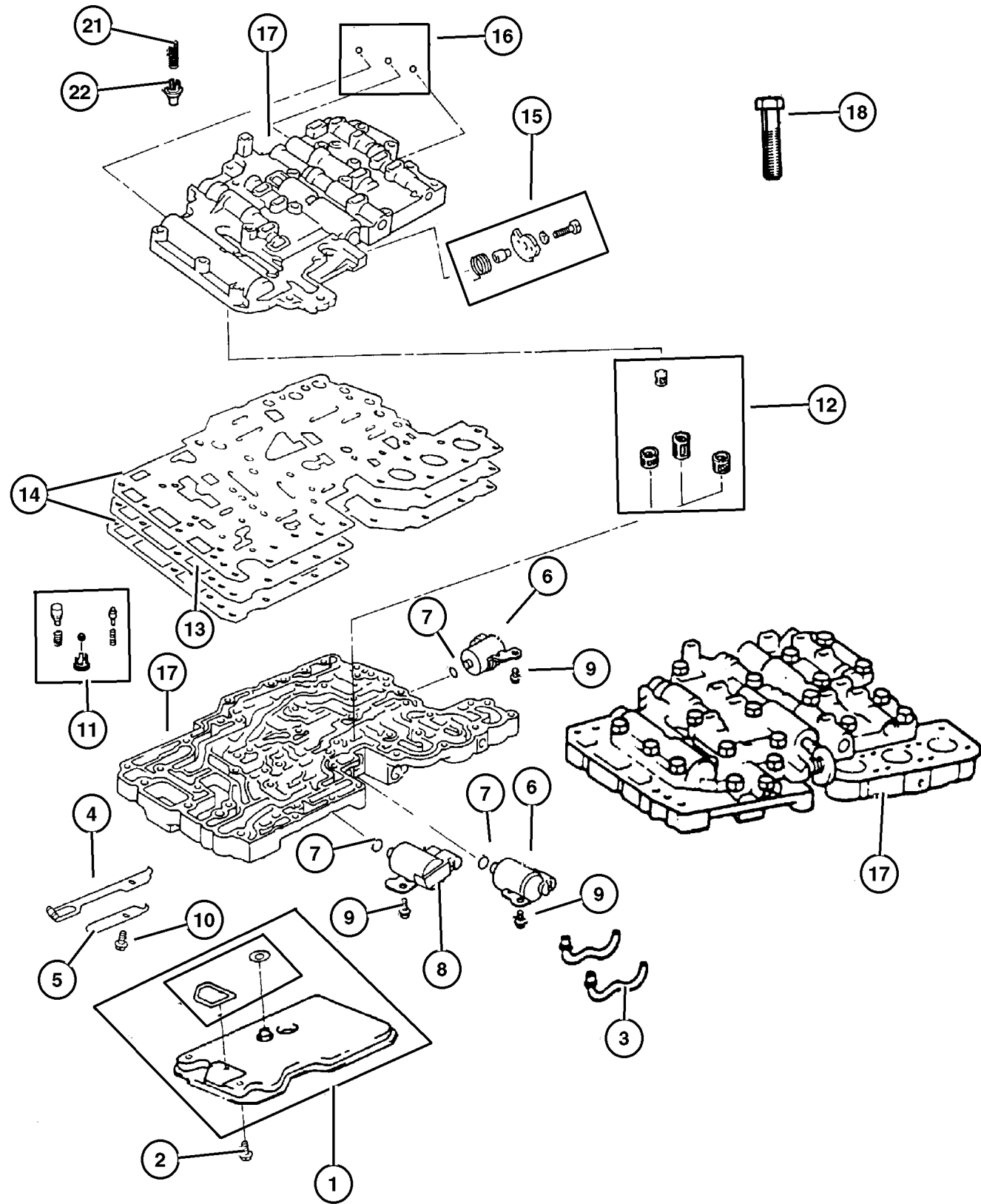
ITEM	PART NUMBER	QTY	LINE	SERIES	ENGINE	TRANS	DESCRIPTION
Notes: Shocks----Check VIN Number for The Type of 'Z' Code Springs are on The Truck							
DGS = Aisin Warner 4 Speed Automatic Transmission Shocks----Check VIN Number for The Type of 'Z' Code Springs are on The Truck							
1	8350 4032	1	J, U			DGS	FILTER, Valve Body
2	8350 4031	4	J, U			DGS	BOLT, Hex Head, M6x1.00x12
3	8350 4334	2	J, U			DGS	TUBE, Valve Body
4	8350 4053	1	B, T			DGS	SPRING, Detent Manual
5	8350 4016	1	J, U			DGS	COVER, Transmission Detent
6	5016 120AA	2	J, U			DGS	SOLENOID, Transmission
7	8350 4065	2	B, T			DGS	O RING, Transmission Valve Body Solenoid
8	5016 121AA	1	J, U			DGS	SOLENOID, Transmission
9	8350 4031	3	B, T			DGS	BOLT, Hex Head, M6x1.00x12
10	8350 4014	1	B, T			DGS	BOLT, M6x1.00x32
11	8350 4042	1	J, U			DGS	BODY, Check Ball
12	8350 4336	1	J, U			DGS	FILTER, Valve Body
13	4637 468	1	J, U			DGS	PLATE, Transmission Valve Body
14		1	B, T			DGS	GASKET, Valve Body

JEEP CHEROKEE (XJ)				
SERIES	LINE	BODY	ENGINE	TRANSMISSION
P = Limited	J = LHD (4WD)	74=4 Dr. (101.4 WB)	ENC, EN0 = 2.5L 4 Cyl Turbo	DDD = 5 Speed Manual
S = Limited	U = RHD (4WD)	72=2 Dr. (101.4 WB)	ERH, ER0 = 4.0L Power Tech	DGS = 4 Speed Auto AISIN
H = Sport	T = LHD (2WD)			DG0 = All Automatic Trans
L = SE	B = RHD (2WD)			DBB = All Manual Trans

AR = Use as required - = Non illustrated part # = New this model year

May 2, 2002

Valve Body AW4 (DGS)
Figure AW4-710



ITEM	PART NUMBER	QTY	LINE	SERIES	ENGINE	TRANS	DESCRIPTION
	4882 361	1	J, U			DGS	
		1	B, T			DGS	
15	4637 026	1	J, U			DGS	CAM PACKAGE, Throttle Valve
		1	B, T			DGS	
16	4637 031	1	J, U			DGS	CHECK BALL PACKAGE, Valve Body
		1	B, T			DGS	
17							VALVE BODY
	4797 404	1	J, U			DGS	
		1	B, T			DGS	
18							BOLT, Hex Head, M6x1.00x12
	8350 4031	4	J, U			DGS	
		4	B, T			DGS	
-19							BOLT, M6x1.00x32
	8350 4014	1	J, U			DGS	
		1	B, T			DGS	
-20							BOLT
	8350 4011	9	B, T			DGS	
		9	J, U			DGS	
21							SPRING, Accumulator
	8350 4036	1	J, U			DGS	
		1	B, T			DGS	
22							BODY, Check Ball
	8350 4042	1	J, U			DGS	
		1	B, T			DGS	

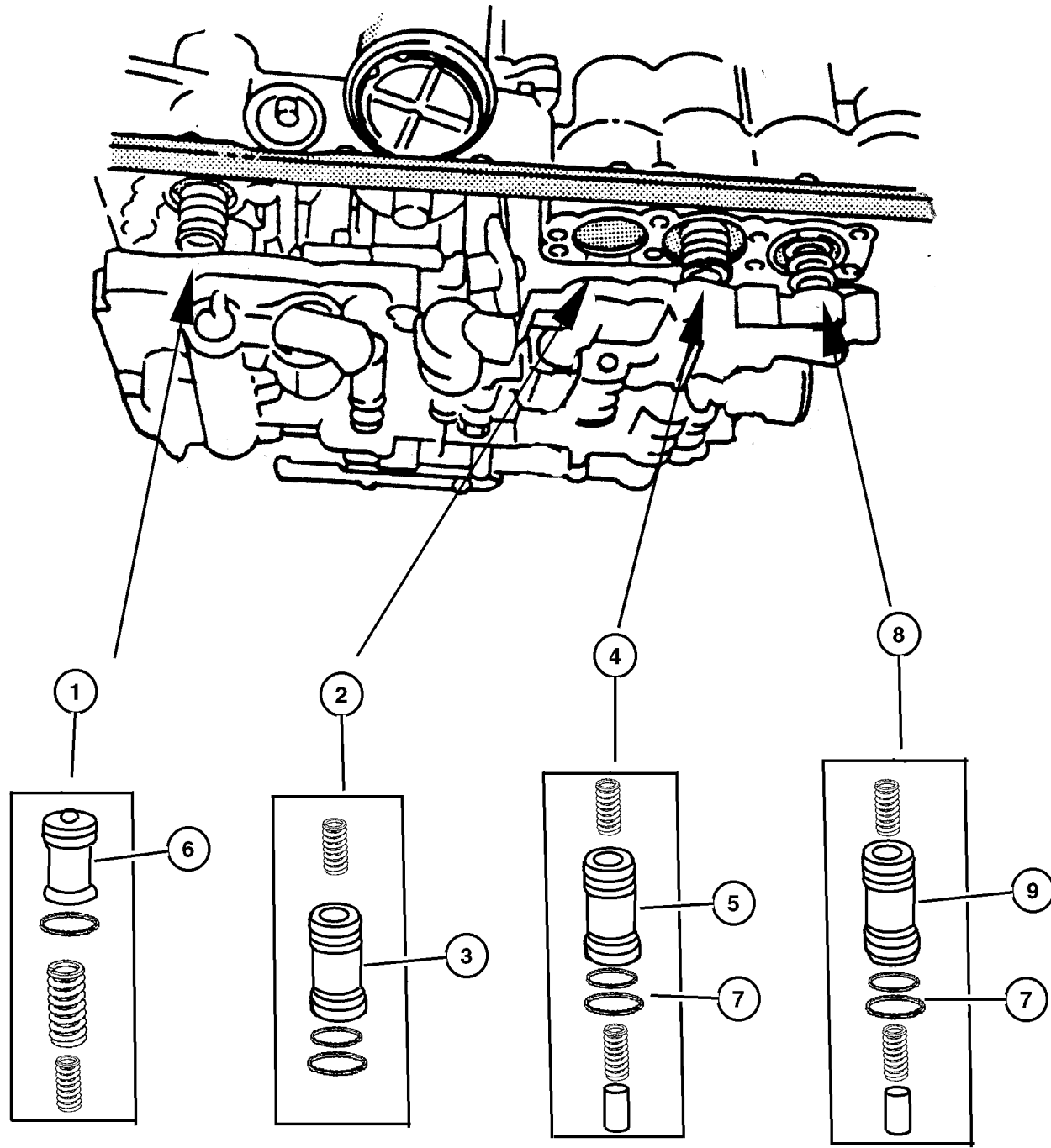
JEEP CHEROKEE (XJ)

SERIES	LINE	BODY	ENGINE	TRANSMISSION
P = Limited	J = LHD (4WD)	74=4 Dr. (101.4 WB)	ENC, EN0 = 2.5L 4 Cyl Turbo	DDD = 5 Speed Manual
S = Limited	U = RHD (4WD)	72=2 Dr. (101.4 WB)	ERH, ER0 = 4.0L Power Tech	DGS = 4 Speed Auto AISIN
H = Sport	T = LHD (2WD)			DG0 = All Automatic Trans
L = SE	B = RHD (2WD)			DBB = All Manual Trans

AR = Use as required - = Non illustrated part # = New this model year

May 2, 2002

**Accumulator Piston AW4 (DGS)
Figure AW4-720**



ITEM	PART NUMBER	QTY	LINE	SERIES	ENGINE	TRANS	DESCRIPTION
Notes: Shocks----Check VIN Number for The Type of 'Z' Code Springs are on The Truck							
DGS = Aisin Warner 4 Speed Automatic Transmission Shocks----Check VIN Number for The Type of 'Z' Code Springs are on The Truck							
Truck							
1	8350 4343	1	J, U			DGS	PISTON, Accumulator
	4636 786	1	B, T			DGS	
2	4637 028	1	J, U			DGS	ACCUMULATOR PACKAGE, Piston
		1	B, T			DGS	
3	4636 788	1	J, U			DGS	PISTON, Accumulator
	4636 786	1	B, T			DGS	
4							ACCUMULATOR PACKAGE, Piston
	4637 029	1	J, U			DGS	
	4637 028	1	B, T			DGS	
5	4636 786	1	J, U			DGS	PISTON, Accumulator
		1	B, T			DGS	
6	8350 4017	1	J, U			DGS	PISTON, Accumulator
		1	B, T			DGS	
7	8350 4029	AR	J, U			DGS	O RING, Transmission Accumulator/Strainer
		AR	B, T			DGS	
8							ACCUMULATOR PACKAGE, Piston
	5003 158AA	1	J, U			DGS	
		1	B, T			DGS	
9	4636 787	1	J, U			DGS	PISTON, Accumulator
		1	B, T			DGS	

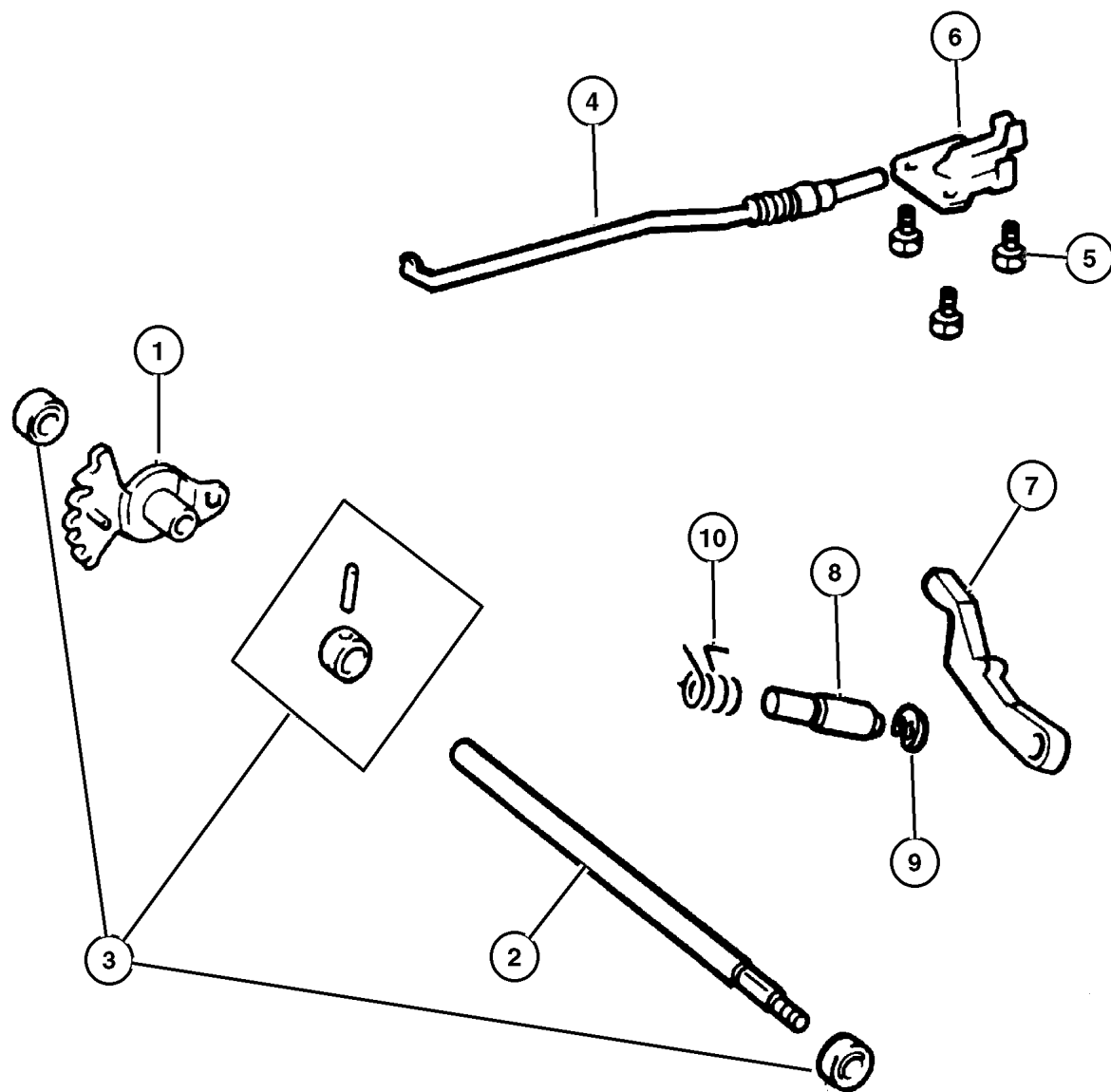
JEEP CHEROKEE (XJ)

SERIES	LINE	BODY	ENGINE	TRANSMISSION
P = Limited	J = LHD (4WD)	74=4 Dr. (101.4 WB)	ENC, EN0 = 2.5L 4 Cyl Turbo	DDD = 5 Speed Manual
S = Limited	U = RHD (4WD)	72=2 Dr. (101.4 WB)	ERH, ER0 = 4.0L Power Tech	DGS = 4 Speed Auto AISIN
H = Sport	T = LHD (2WD)			DG0 = All Automatic Trans
L = SE	B = RHD (2WD)			DBB = All Manual Trans

AR = Use as required - = Non illustrated part # = New this model year

May 2, 2002

**Lock, Parking AW4 (DGS)
Figure AW4-730**



ITEM	PART NUMBER	QTY	LINE	SERIES	ENGINE	TRANS	DESCRIPTION
Notes: Shocks----Check VIN Number for The Type of 'Z' Code Springs are on The Truck							
DGS = Aisin Warner 4 Speed Automatic Transmission Shocks----Check VIN Number for The Type of 'Z' Code Springs are on The Truck							
1	8350 3774	1	J, U			DGS	LEVER, Manual Valve
2	8350 3725	1	B, T			DGS	SHAFT, Manual Valve
3	8350 4332	1	J, U			DGS	LEVER REPAIR PACKAGE, Valve Body
4	4886 042AA	1	J, U			DGS	ROD, Transmission Pawl
5	8350 3783	3	B, T			DGS	BOLT, M6x1.00x32
6	4886 041AA	1	J, U			DGS	BRACKET, Park Lock
7	4886 040AA	1	J, U			DGS	PAWL, Parking Sprag
8	8350 3777	1	J, U			DGS	SHAFT, Parking Sprag
9	8350 3776	1	J, U			DGS	SNAP RING, Parking Pawl
10	8350 3778	1	J, U			DGS	SPRING, Park Lock

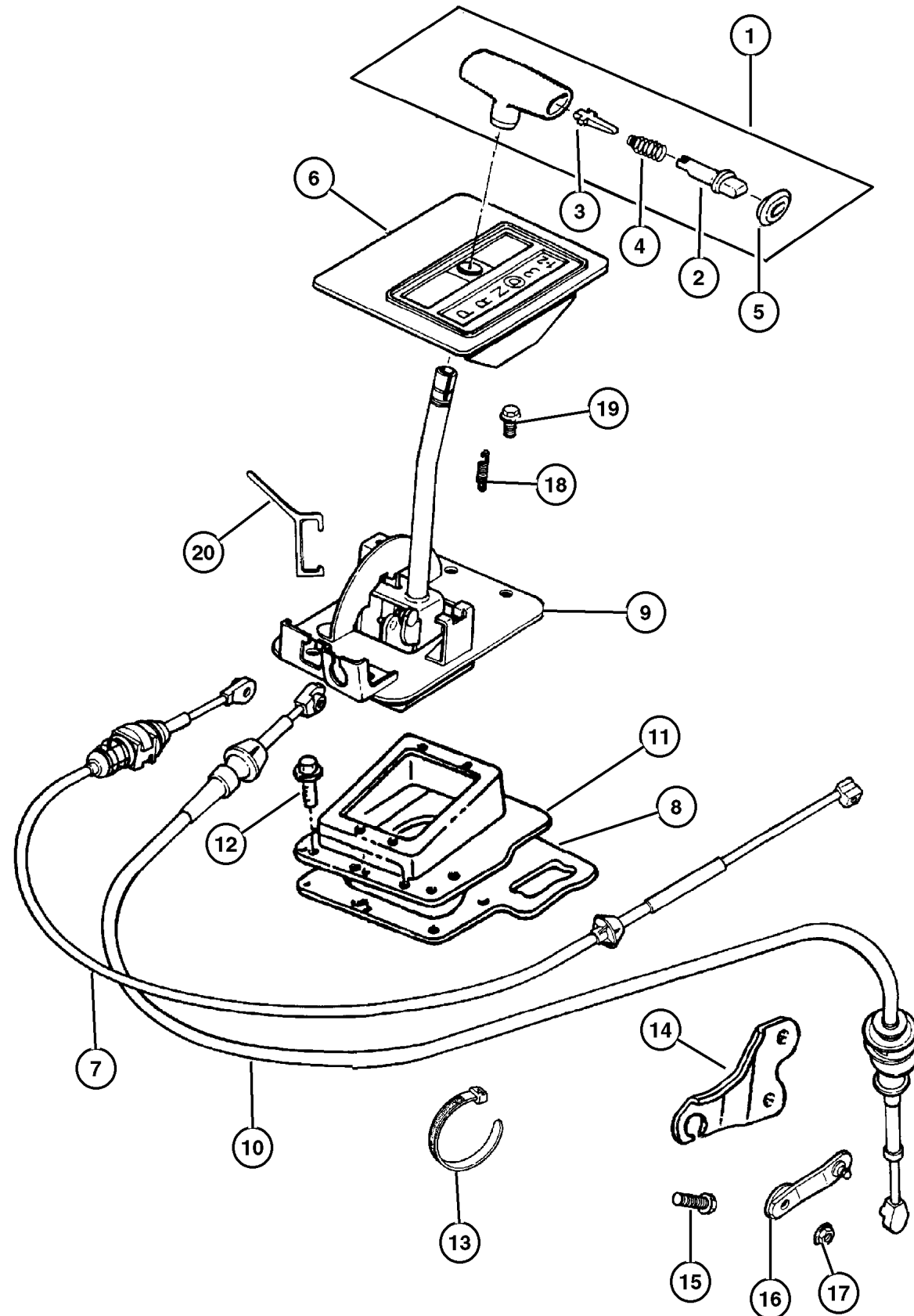
JEEP CHEROKEE (XJ)

SERIES	LINE	BODY	ENGINE	TRANSMISSION
P = Limited	J = LHD (4WD)	74=4 Dr. (101.4 WB)	ENC, EN0 = 2.5L 4 Cyl Turbo	DDD = 5 Speed Manual
S = Limited	U = RHD (4WD)	72=2 Dr. (101.4 WB)	ERH, ER0 = 4.0L Power Tech	DGS = 4 Speed Auto AISIN
H = Sport	T = LHD (2WD)			DG0 = All Automatic Trans
L = SE	B = RHD (2WD)			DBB = All Manual Trans

AR = Use as required - = Non illustrated part # = New this model year

May 2, 2002

Gearshift Controls AW4 (DGS) Figure AW4-1210



ITEM	PART NUMBER	QTY	LINE	SERIES	ENGINE	TRANS	DESCRIPTION
Notes: Shocks----Check VIN Number for The Type of 'Z' Code Springs are on The Truck							
ER0 = All 4.0L 6 Cylinder Engines Shocks----Check VIN Number for The Type of 'Z' Code Springs are on The Truck							
EP0 = All 2.5L 4 Cylinder Gas Engines Shocks----Check VIN Number for The Type of 'Z' Code Springs are on The Truck							
DGS = Aisin Warner 4 Speed Automatic Transmission Shocks----Check VIN Number for The Type of 'Z' Code Springs are on The Truck							
DG0 = All Automatic Transmissions Shocks----Check VIN Number for The Type of 'Z' Code Springs are on The Truck							
1	5210 4028	1			ER0	DG0	HANDLE, Gearshift
2	5300 0211	1			ER0	DG0	BUTTON, Gearshift Knob
3	5300 0865	1			ER0	DG0	LEVER, Gearshift
4	5300 0866	1			ER0	DG0	SPRING, Button Return
5	5207 7561	1			ER0	DG0	CAP, Gearshift Handle Button
6							BEZEL, Console PRNDL
	5EK03 LAZAB	1	J, T			DGS	
	5EK07 LAZAB	1	B, U			DGS	
7							CABLE, Park Interlock
	5210 4144	1	J, T		ER0	DG0	
	52104 144AB	1	B, U		ER0	DG0	
8							SEAL, Shift Housing, (NOT SERVICED)
9	52104 005AB	1				DG0	HOUSING, Shift Lever
10	52077 532AD	1				DG0	CABLE, Gearshift Control
11	5300 0704	1				DG0	COVER, Gearshift
12	J400 1701	AR					SCREW, Hex Self Tapping, .19-16x.50
13	3420 1788	1			EP0, ER0		STRAP, Tie
14	5300 7746	1			ER0	DGS	BRACKET, Transmission Control Cable
15	1150 2850	2			ER0	DGS	BOLT, Hex Flange Head, M8x1.25x20
16							LEVER, Gearshift
	5300 7747	1	B, T			DGS	
		1	J, U			DGS	
17	J420 0046	3					NUT AND WASHER, Hex Flange, M8x1.25
18							SPRING, Pawl Return, (NOT SERVICED)
19							SCREW, Hex Head, M8x1.25x18, (NOT SERVICED)
20							GAUGE, Transmission Shifter, (NOT SERVICED)

JEEP CHEROKEE (XJ)

SERIES	LINE	BODY	ENGINE	TRANSMISSION
P = Limited	J = LHD (4WD)	74=4 Dr. (101.4 WB)	ENC, EN0 = 2.5L 4 Cyl Turbo	DDD = 5 Speed Manual
S = Limited	U = RHD (4WD)	72=2 Dr. (101.4 WB)	ERH, ER0 = 4.0L Power Tech	DGS = 4 Speed Auto AISIN
H = Sport	T = LHD (2WD)			DG0 = All Automatic Trans
L = SE	B = RHD (2WD)			DBB = All Manual Trans

AR = Use as required - = Non illustrated part # = New this model year

May 2, 2002

Group – 3550

Manual Transmission 5 Speed

GROUP 3550 - Manual Transmission 5 Speed

Illustration Title

Group-Fig. No.

Transmission Assembly

Transmission Assembly (DDD) Fig. 3550-110

Case and Extension

Case and Extension (DDD) Fig. 3550-210

Gear Train

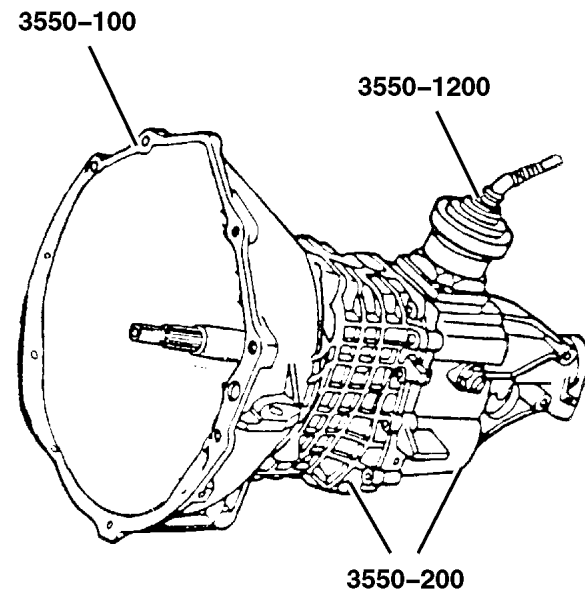
Gear Train (DDD) Fig. 3550-410

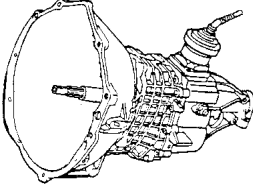
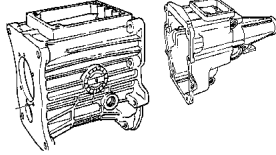
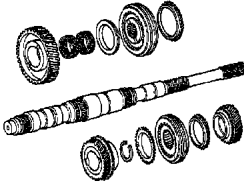
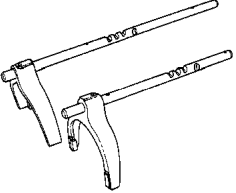
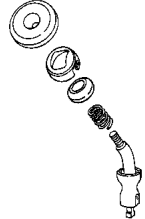
Fork and Rails

Fork and Rails (DDD) Fig. 3550-910

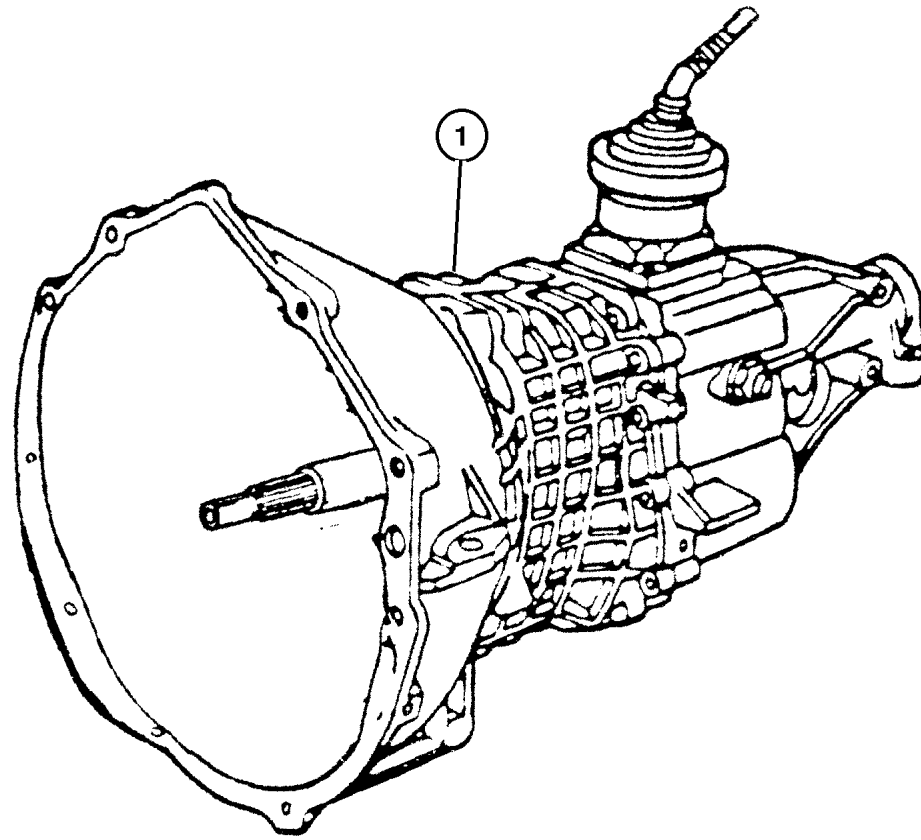
Gearshift Controls

Gearshift Controls (DDD) Fig. 3550-1210



<p>3550-100 Transmission Assembly</p> 	<p>3550-200 Case and Extension</p> 	<p>3550-400 Gear Train</p> 	<p>3550-900 Fork and Rails</p> 
<p>3550-1200 Gearshift Controls</p> 			

**Transmission Assembly (DDD)
Figure 3550-110**



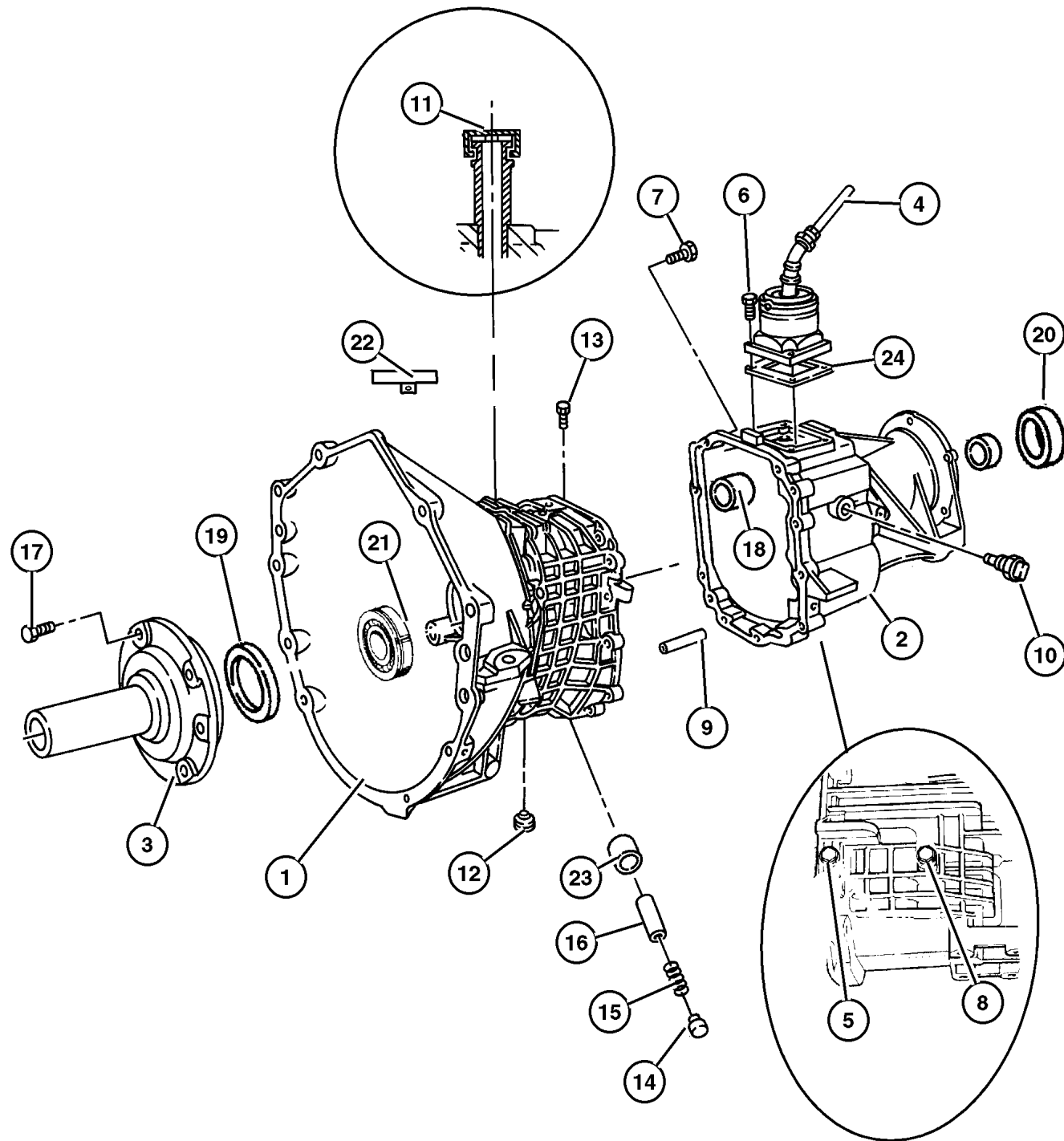
ITEM	PART NUMBER	QTY	LINE	SERIES	ENGINE	TRANS	DESCRIPTION
Notes: Shocks---Check VIN Number for The Type of 'Z' Code Springs are on The Truck							
ER0 = All 4.0L 6 Cylinder Engines Shocks---Check VIN Number for The Type of 'Z' Code Springs are on The Truck							
ENC = 2.5L 4 Cylinder Turbo Diesel Engine Shocks---Check VIN Number for The Type of 'Z' Code Springs are on The Truck							
DDD = 5 Speed Heavy Duty Manual Transmissions Shocks---Check VIN Number for The Type of 'Z' Code Springs are on The Truck							
1							TRANSMISSION, 5 Speed
	52104 385AA	1	J, U		ER0	DDD	
	52104 386AA	1	B, T		ER0	DDD	
	52104 387AA	1	J, U		ENC	DDD	

JEEP CHEROKEE (XJ)

SERIES	LINE	BODY	ENGINE	TRANSMISSION
P = Limited	J = LHD (4WD)	74=4 Dr. (101.4 WB)	ENC, EN0 = 2.5L 4 Cyl Turbo	DDD = 5 Speed Manual
S = Limited	U = RHD (4WD)	72=2 Dr. (101.4 WB)	ERH, ER0 = 4.0L Power Tech	DGS = 4 Speed Auto AISIN
H = Sport	T = LHD (2WD)			DG0 = All Automatic Trans
L = SE	B = RHD (2WD)			DBB = All Manual Trans

AR = Use as required - = Non illustrated part # = New this model year

Case and Extension (DDD)
Figure 3550-210



ITEM	PART NUMBER	QTY	LINE	SERIES	ENGINE	TRANS	DESCRIPTION
Notes: Shocks----Check VIN Number for The Type of 'Z' Code Springs are on The Truck							
ERO = All 4.0L 6 Cylinder Engines Shocks----Check VIN Number for The Type of 'Z' Code Springs are on The Truck							
ENC = 2.5L 4 Cylinder Turbo Diesel Engine Shocks----Check VIN Number for The Type of 'Z' Code Springs are on The Truck							
DDD = 5 Speed Heavy Duty Manual Transmissions Shocks----Check VIN Number for The Type of 'Z' Code Springs are on The Truck							
1							CASE, Transmission
	5015 577AA	1	B, T		ERO	DDD	
		1	J, U		ERO	DDD	
		1	J, U		ENC	DDD	
2							CASE, Transmission Rear
	5015 946AA	1	B, T		ERO	DDD	
	5015 947AA	1	J, U		ERO	DDD	
		1	J, U		ENC	DDD	
3							RETAINER, Shaft
	5013 306AA	1	J, U		ENC	DDD	
		1	B, T		ERO	DDD	
		1	J, U		ERO	DDD	
4							LEVER, Gearshift
	5015 952AA	1	B, T		ERO	DDD	
		1	J, U		ERO	DDD	
	5015 953AA	1	J, U		ENC	DDD	
5							BOLT, M8-1.25x70
	4741 313	1	J, U		ENC	DDD	
		1	B, T		ERO	DDD	
		1	J, U		ERO	DDD	
6							BOLT, Hex Head
	4741 144	4	B, T		ERO	DDD	
		4	J, U		ERO	DDD	
		4	J, U		ENC	DDD	
7							BOLT, Hex Head, M8x1.25x50
	4741 123	11	B, T		ERO	DDD	
		11	J, U		ERO	DDD	
		11	J, U		ENC	DDD	
8	4741 115	1	B, T		ERO	DDD	BOLT, Hex
9							PIN, Locating
	4741 122	2	B, T		ERO	DDD	
		2	J, U		ERO	DDD	
		2	J, U		ENC	DDD	
10							SWITCH, Back Up Lamp
	4741 121	1	J, U		ENC	DDD	
		1	B, T		ERO	DDD	
		1	J, U		ERO	DDD	
11							VENT, Transmission

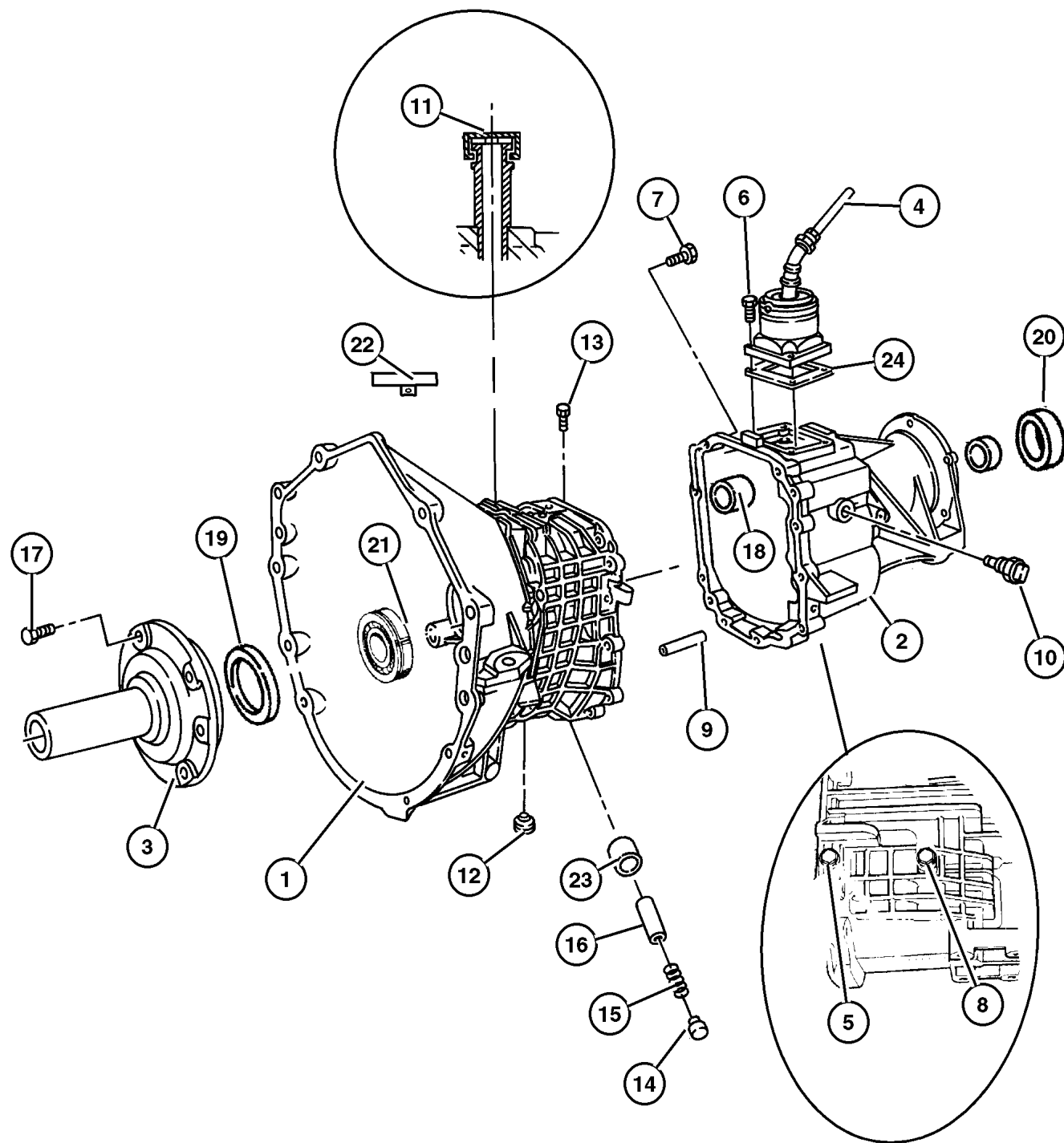
JEEP CHEROKEE (XJ)

SERIES	LINE	BODY	ENGINE	TRANSMISSION
P = Limited	J = LHD (4WD)	74=4 Dr. (101.4 WB)	ENC, EN0 = 2.5L 4 Cyl Turbo	DDD = 5 Speed Manual
S = Limited	U = RHD (4WD)	72=2 Dr. (101.4 WB)	ERH, ER0 = 4.0L Power Tech	DGS = 4 Speed Auto AISIN
H = Sport	T = LHD (2WD)			DG0 = All Automatic Trans
L = SE	B = RHD (2WD)			DBB = All Manual Trans

AR = Use as required - = Non illustrated part # = New this model year

May 2, 2002

Case and Extension (DDD)
Figure 3550-210



ITEM	PART NUMBER	QTY	LINE	SERIES	ENGINE	TRANS	DESCRIPTION
	5015 945AA	1	J, U		ENC	DDD	
		1	B, T		ER0	DDD	
		1	J, U		ER0	DDD	
12	4882 280	1	B, T		ER0	DDD	PLUG, Oil Fill
		1	J, U		ENC	DDD	
		1	J, U		ER0	DDD	
13	5013 321AA	1	J, U		ENC	DDD	PIN, Detent
		1	B, T		ER0	DDD	
		1	J, U		ER0	DDD	
14	4741 128	1	J, U		ENC	DDD	CAP, Detent
		1	B, T		ER0	DDD	
		1	J, U		ER0	DDD	
15	4796 673	1	J, U		ENC	DDD	SPRING, Shift Detent
		1	B, T		ER0	DDD	
		1	J, U		ER0	DDD	
16	5015 949AA	1	J, U		ENC	DDD	PLUNGER
		1	B, T		ER0	DDD	
		1	J, U		ER0	DDD	
17	4741 300	6	B, T		ER0	DDD	BOLT, Hex Head, M6x1.00x25
		6	J, U		ER0	DDD	
		6	J, U		ENC	DDD	
18	4741 112	1	J, U		ENC	DDD	BEARING, Ball
		1	B, T		ER0	DDD	
		1	J, U		ER0	DDD	
19	4741 296	1	J, U		ENC	DDD	SEAL, Input Shaft
		1	B, T		ER0	DDD	
		1	J, U		ER0	DDD	
20	4741 118	1	J, U		ENC	DDD	SEAL, Output Shaft
		1	J, U		ER0	DDD	
		1	B, T		ER0	DDD	
21	4741 119	1	B, T		ER0	DDD	BEARING, Input Shaft
	4874 174	1	J, U		ENC	DDD	
		1	B, T		ER0	DDD	

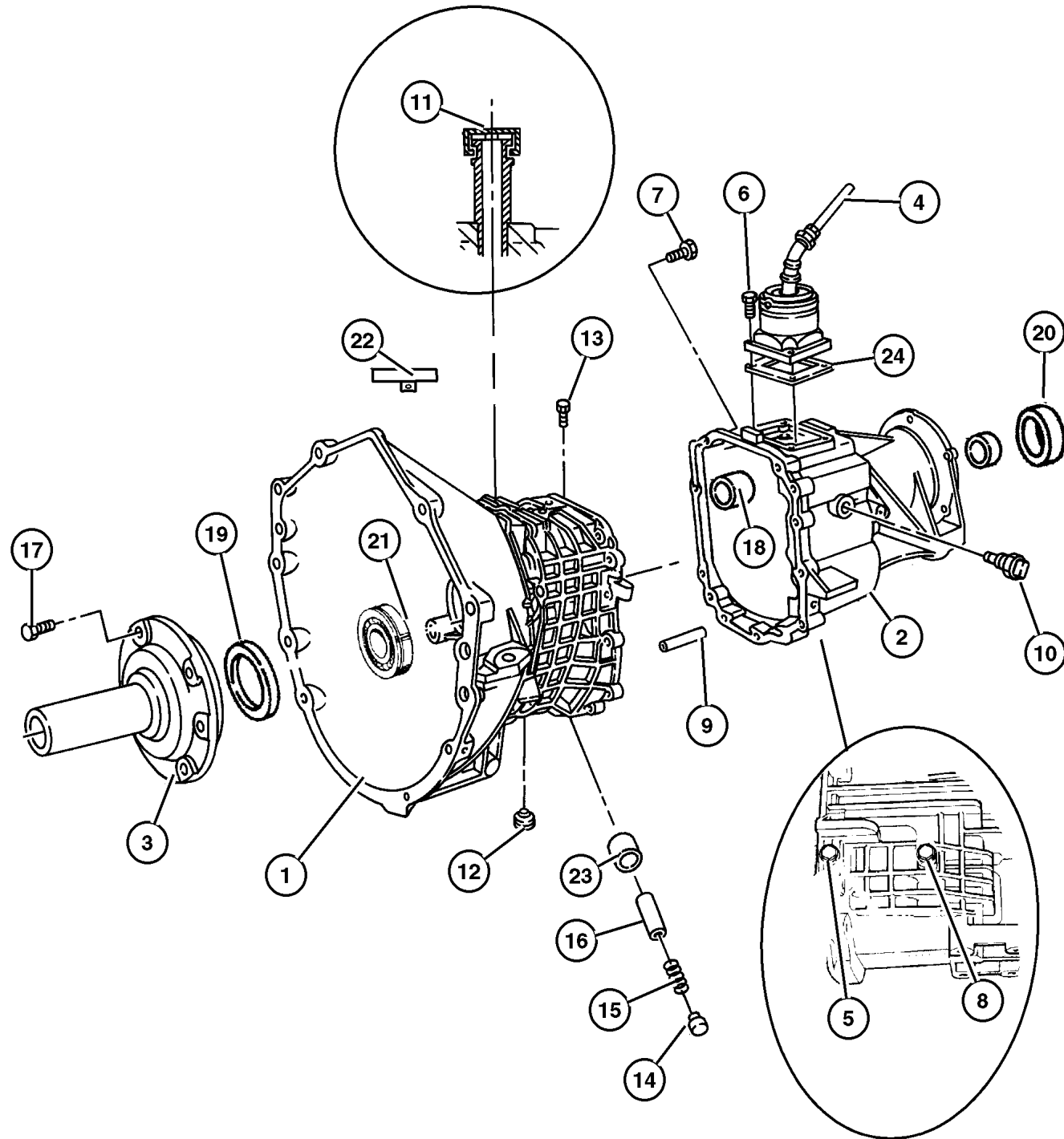
JEEP CHEROKEE (XJ)

SERIES	LINE	BODY	ENGINE	TRANSMISSION
P = Limited	J = LHD (4WD)	74=4 Dr. (101.4 WB)	ENC, EN0 = 2.5L 4 Cyl Turbo	DDD = 5 Speed Manual
S = Limited	U = RHD (4WD)	72=2 Dr. (101.4 WB)	ERH, ER0 = 4.0L Power Tech	DGS = 4 Speed Auto AISIN
H = Sport	T = LHD (2WD)			DG0 = All Automatic Trans
L = SE	B = RHD (2WD)			DBB = All Manual Trans

AR = Use as required - = Non illustrated part # = New this model year

May 2, 2002

Case and Extension (DDD)
Figure 3550-210



ITEM	PART NUMBER	QTY	LINE	SERIES	ENGINE	TRANS	DESCRIPTION
		1	J, U		ER0	DDD	
22	5015 945AA	1	J, U		ENC	DDD	VENT, Transmission
		1	B, T		ER0	DDD	
		1	J, U		ER0	DDD	
23	5012 337AA	1	J, U		ENC	DDD	BUSHING, Transmission
		1	B, T		ER0	DDD	
		1	J, U		ER0	DDD	
24	4886 153AA	1	J, U		ENC	DDD	SEAL, Shift Lever
		1	B, T		ER0	DDD	
		1	J, U		ER0	DDD	

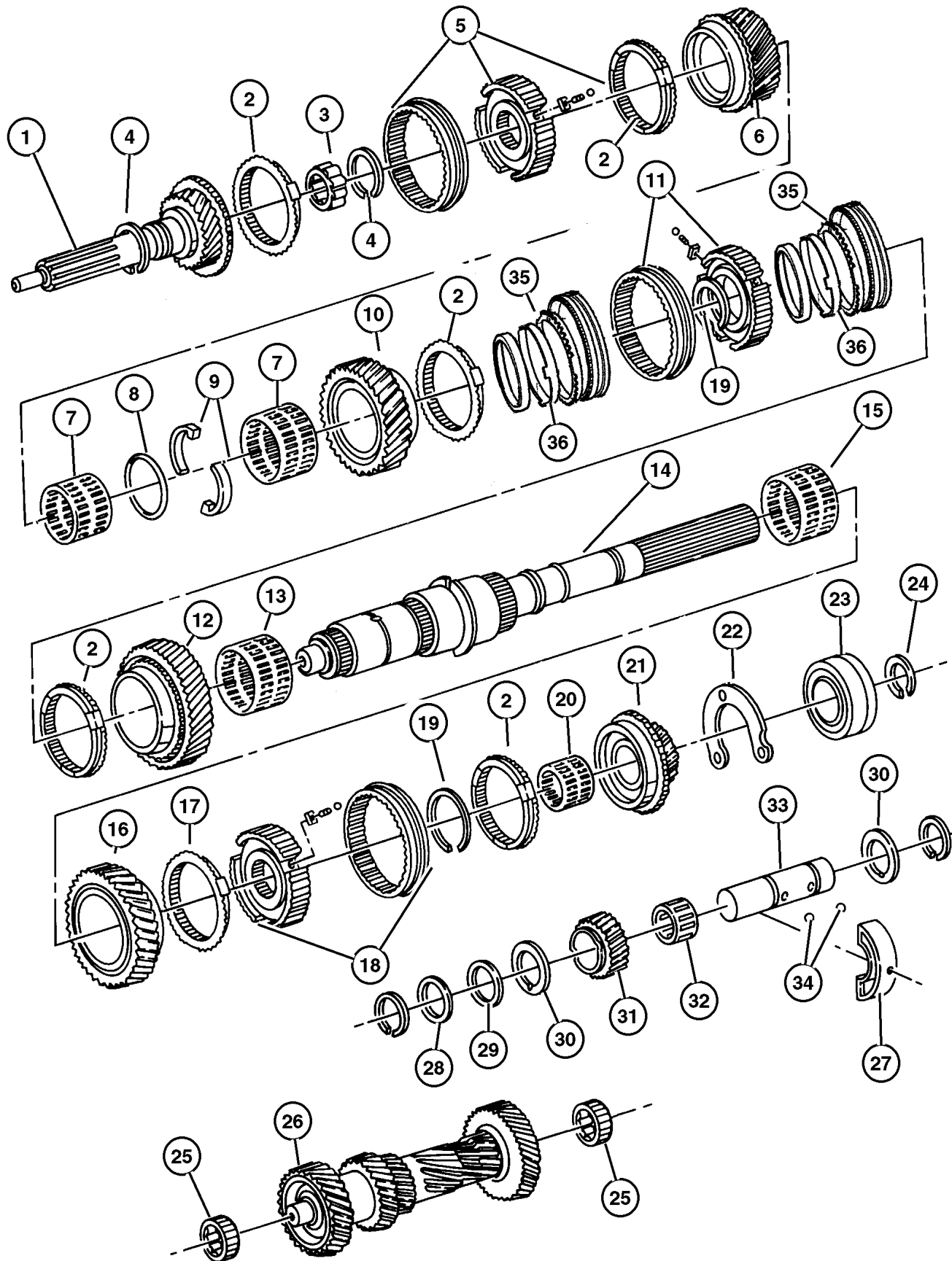
JEEP CHEROKEE (XJ)

SERIES	LINE	BODY	ENGINE	TRANSMISSION
P = Limited	J = LHD (4WD)	74=4 Dr. (101.4 WB)	ENC, EN0 = 2.5L 4 Cyl Turbo	DDD = 5 Speed Manual
S = Limited	U = RHD (4WD)	72=2 Dr. (101.4 WB)	ERH, ER0 = 4.0L Power Tech	DGS = 4 Speed Auto AISIN
H = Sport	T = LHD (2WD)			DG0 = All Automatic Trans
L = SE	B = RHD (2WD)			DBB = All Manual Trans

AR = Use as required - = Non illustrated part # = New this model year

May 2, 2002

**Gear Train (DDD)
Figure 3550-410**

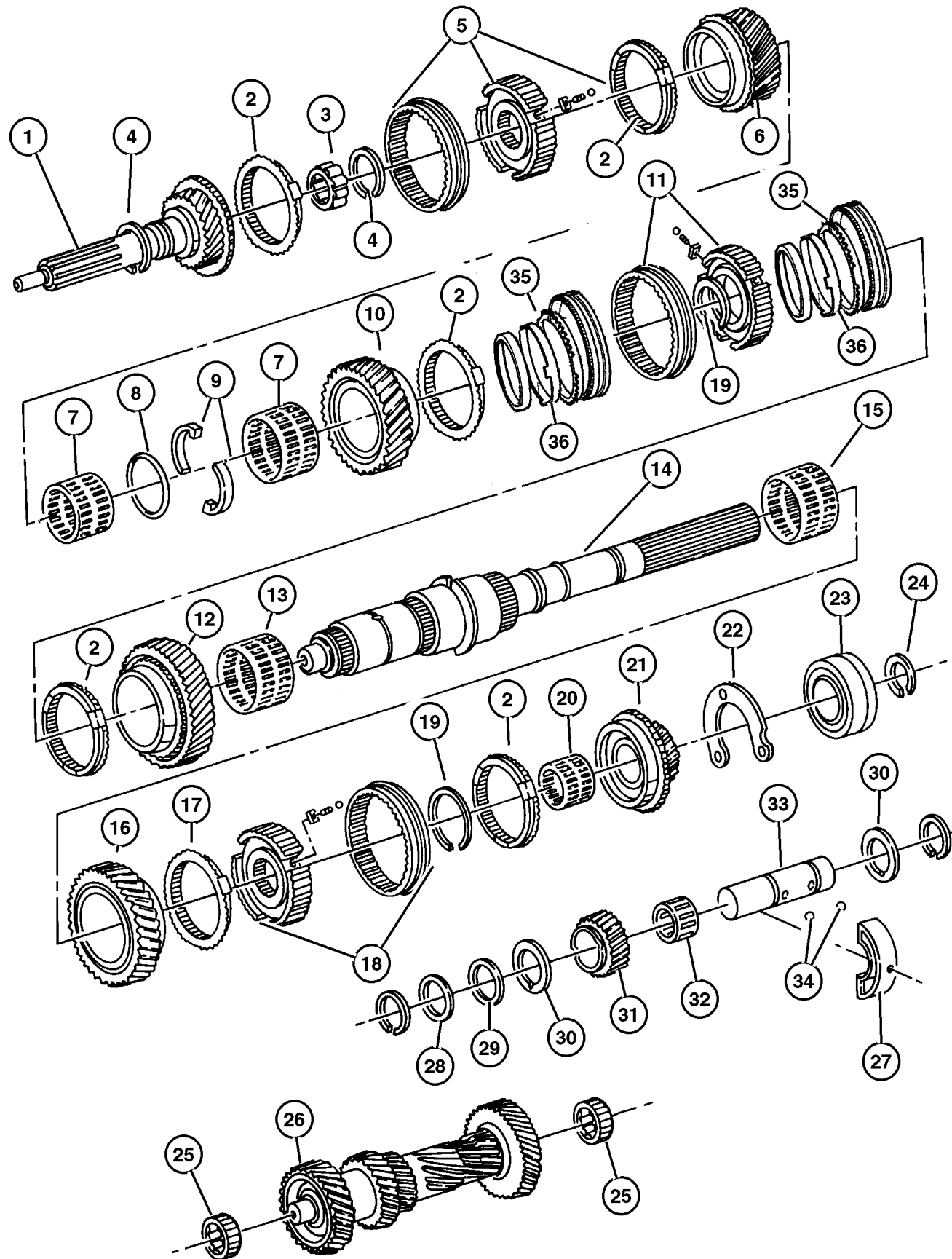


ITEM	PART NUMBER	QTY	LINE	SERIES	ENGINE	TRANS	DESCRIPTION
Notes: Shocks---Check VIN Number for The Type of 'Z' Code Springs are on The Truck ER0 = All 4.0L 6 Cylinder Engines Shocks---Check VIN Number for The Type of 'Z' Code Springs are on The Truck ENC = 2.5L 4 Cylinder Turbo Diesel Engine Shocks---Check VIN Number for The Type of 'Z' Code Springs are on The Truck DDD = 5 Speed Heavy Duty Manual Transmissions Shocks---Check VIN Number for The Type of 'Z' Code Springs are on The Truck							
1							SHAFT, Input
	5013 302AA	1	B, T		ER0	DDD	
		1	J, U		ENC	DDD	
		1	J, U		ER0	DDD	
2							STOP RING, Synchronizer
	4741 277	2	B, T		ER0	DDD	
		2	J, U		ER0	DDD	
		2	J, U		ENC	DDD	
3							NEEDLE BEARING, Input Shaft
	4741 878	1	J, U		ENC	DDD	
		1	B, T		ER0	DDD	
		1	J, U		ER0	DDD	
4							SNAP RING, Output Shaft Bearing
	4741 266	2	B, T		ER0	DDD	
		2	J, U		ER0	DDD	
		2	J, U		ENC	DDD	
5							SYNCHRONIZER, Third and Fourth
	4741 293	1	J, U		ENC	DDD	
		1	B, T		ER0	DDD	
		1	J, U		ER0	DDD	
6							GEAR, Third
	5013 195AA	1	J, U		ENC	DDD	
		1	B, T		ER0	DDD	
		1	J, U		ER0	DDD	
7							NEEDLE BEARING, Second Gear
	5003 039AA	1	B, T		ER0	DDD	
		1	J, U		ENC	DDD	
		1	J, U		ER0	DDD	
8							SNAP RING
	4897 922AA	1	B, T		ER0	DDD	
		1	J, U		ENC	DDD	
		1	J, U		ER0	DDD	
9							WASHER, Output Shaft
	5013 192AA	2	B, T		ER0	DDD	
		2	J, U		ER0	DDD	
		2	J, U		ENC	DDD	
10							GEAR, Second

JEEP CHEROKEE (XJ)
 SERIES LINE BODY ENGINE TRANSMISSION
 P = Limited J = LHD (4WD) 74=4 Dr. (101.4 WB) ENC, EN0 = 2.5L 4 Cyl Turbo DDD = 5 Speed Manual
 S = Limited U = RHD (4WD) 72=2 Dr. (101.4 WB) ERH, ER0 = 4.0L Power Tech DGS = 4 Speed Auto AISIN
 H = Sport T = LHD (2WD) DG0 = All Automatic Trans
 L = SE B = RHD (2WD) DBB = All Manual Trans

AR = Use as required - = Non illustrated part # = New this model year

Gear Train (DDD)
Figure 3550-410



ITEM	PART NUMBER	QTY	LINE	SERIES	ENGINE	TRANS	DESCRIPTION
	5013 194AA	1	J, U		ENC	DDD	
		1	B, T		ER0	DDD	
11		1	J, U		ER0	DDD	SYNCHRONIZER, First and Second
	5013 191AA	1	J, U		ENC	DDD	
		1	B, T		ER0	DDD	
12		1	J, U		ER0	DDD	GEAR, First
	5013 189AA	1	J, U		ENC	DDD	
		1	B, T		ER0	DDD	
13		1	J, U		ER0	DDD	NEEDLE BEARING, Transmission
	4741 871	1	J, U		ENC	DDD	
		1	B, T		ER0	DDD	
14		1	J, U		ER0	DDD	SHAFT, Output
	5013 180AA	1	J, U		ENC	DDD	
		1	J, U		ER0	DDD	
15	5015 955AA	1	B, T		ER0	DDD	NEEDLE BEARING, Transmission
	4741 871	1	J, U		ENC	DDD	
		1	B, T		ER0	DDD	
16		1	J, U		ER0	DDD	GEAR, Reverse
	5013 185AA	1	J, U		ENC	DDD	
		1	B, T		ER0	DDD	
17		1	J, U		ER0	DDD	STOP RING, Synchronizer
	4741 285	1	B, T		ER0	DDD	
		1	J, U		ENC	DDD	
18		1	J, U		ER0	DDD	SYNCHRONIZER, Fifth And Reverse
	4741 278	1	J, U		ENC	DDD	
		1	B, T		ER0	DDD	
19		1	J, U		ER0	DDD	RING, Transmission
	4741 805	1	J, U		ER0	DDD	
		1	B, T		ER0	DDD	
20		1	J, U		ENC	DDD	BEARING, Needle
	4741 273	1	J, U		ENC	DDD	
		1	B, T		ER0	DDD	

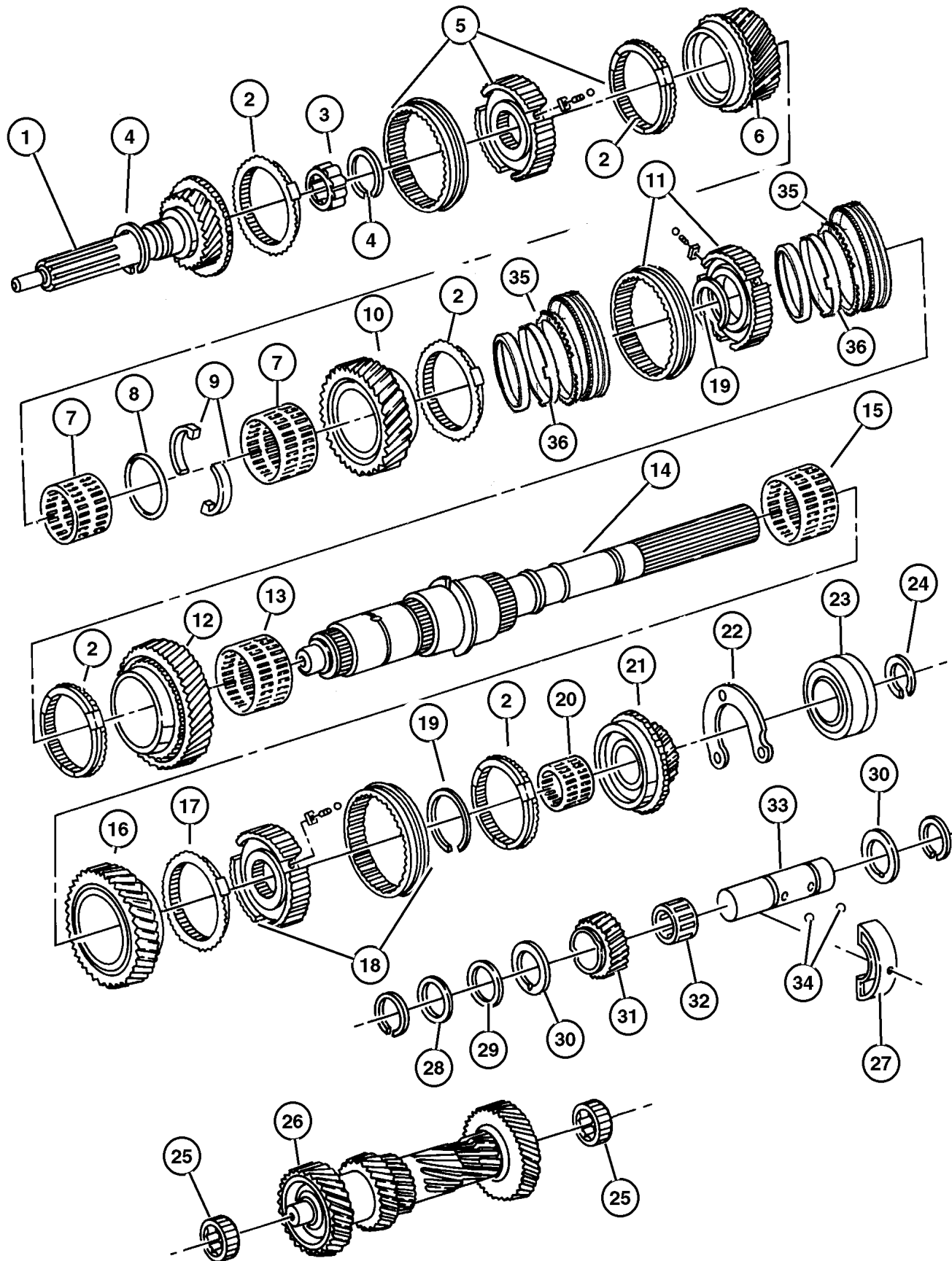
JEEP CHEROKEE (XJ)

SERIES	LINE	BODY	ENGINE	TRANSMISSION
P = Limited	J = LHD (4WD)	74=4 Dr. (101.4 WB)	ENC, EN0 = 2.5L 4 Cyl Turbo	DDD = 5 Speed Manual
S = Limited	U = RHD (4WD)	72=2 Dr. (101.4 WB)	ERH, ER0 = 4.0L Power Tech	DGS = 4 Speed Auto AISIN
H = Sport	T = LHD (2WD)			DG0 = All Automatic Trans
L = SE	B = RHD (2WD)			DBB = All Manual Trans

AR = Use as required - = Non illustrated part # = New this model year

May 2, 2002

Gear Train (DDD)
Figure 3550-410



ITEM	PART NUMBER	QTY	LINE	SERIES	ENGINE	TRANS	DESCRIPTION
		1	J, U		ER0	DDD	
21	5015 956AA	1	B, T		ER0	DDD	GEAR, Fifth
		1	J, U		ENC	DDD	
		1	J, U		ER0	DDD	
22	4741 114	1	J, U		ENC	DDD	RETAINER, Transmission Output Shaft Bearing
		1	J, U		ER0	DDD	
	4741 116	1	B, T		ER0	DDD	
23	4741 866	1	B, T		ER0	DDD	BEARING, Output Shaft
		1	J, U		ENC	DDD	
		1	J, U		ER0	DDD	
24	4741 266	2	B, T		ER0	DDD	SNAP RING, Output Shaft Bearing
		2	J, U		ER0	DDD	
25	5012 971AA	2	B, T		ER0	DDD	BEARING, Countershaft
		2	J, U		ER0	DDD	
26	5015 957AA	1	B, T		ER0	DDD	SHAFT, Counter
		1	J, U		ENC	DDD	
		1	J, U		ER0	DDD	
27	4741 312	1	J, U		ENC	DDD	SUPPORT, Segment Idler Shaft
		1	B, T		ER0	DDD	
		1	J, U		ER0	DDD	
28	4741 310	1	B, T		ER0	DDD	WASHER, Flat
		1	J, U		ENC	DDD	
		1	J, U		ER0	DDD	
29	4741 309	1	J, U		ENC	DDD	WASHER, Idler Gear
		1	B, T		ER0	DDD	
		1	J, U		ER0	DDD	
30	4741 307	2	J, U		ER0	DDD	THRUST WASHER, Reverse Idler
		2	J, U		ENC	DDD	
		2	B, T		ER0	DDD	
31	5013 199AA	1	B, T		ER0	DDD	GEAR, Reverse Idler
		1	J, U		ENC	DDD	

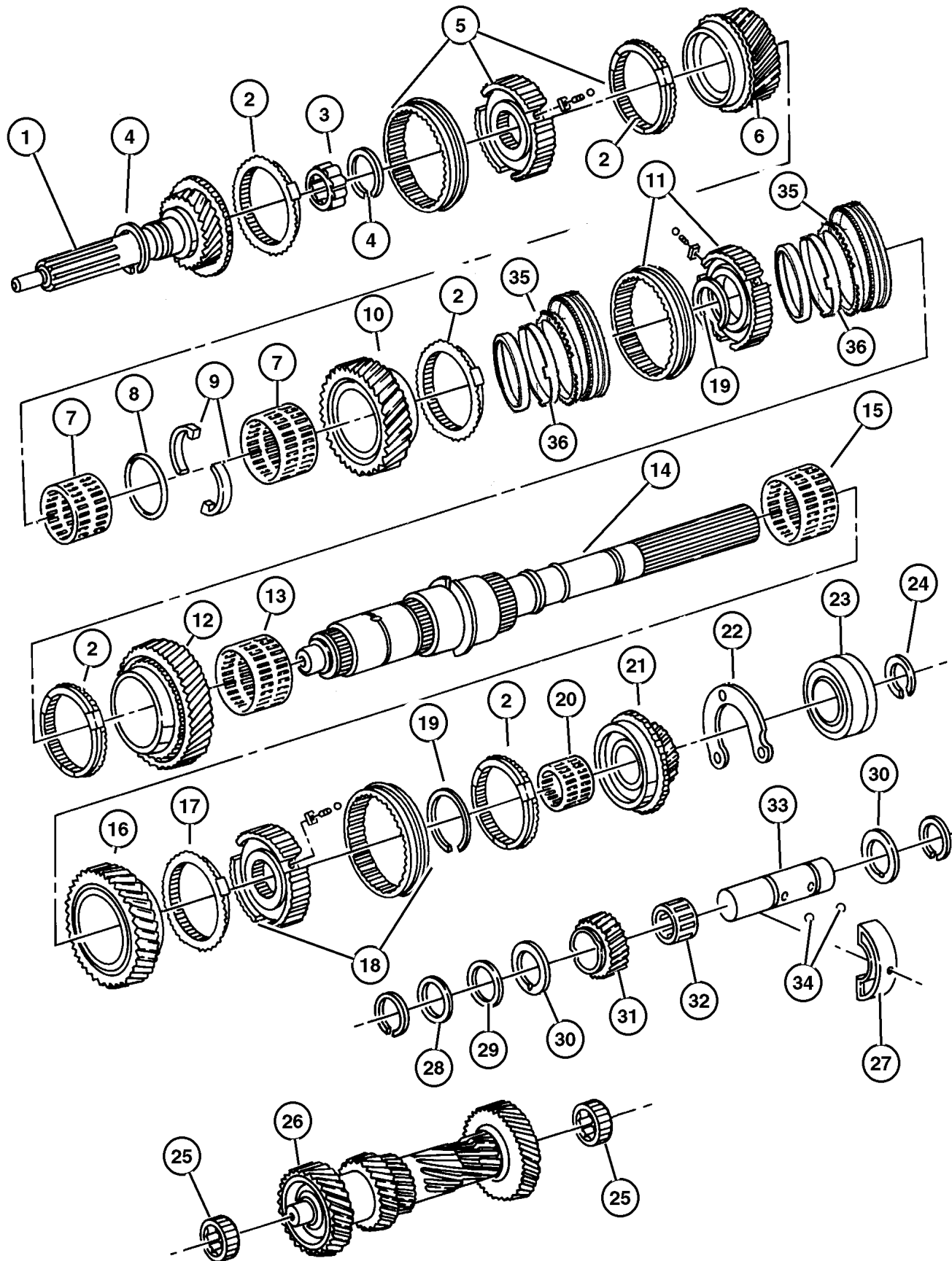
JEEP CHEROKEE (XJ)

SERIES	LINE	BODY	ENGINE	TRANSMISSION
P = Limited	J = LHD (4WD)	74=4 Dr. (101.4 WB)	ENC, EN0 = 2.5L 4 Cyl Turbo	DDD = 5 Speed Manual
S = Limited	U = RHD (4WD)	72=2 Dr. (101.4 WB)	ERH, ER0 = 4.0L Power Tech	DGS = 4 Speed Auto AISIN
H = Sport	T = LHD (2WD)			DG0 = All Automatic Trans
L = SE	B = RHD (2WD)			DBB = All Manual Trans

AR = Use as required - = Non illustrated part # = New this model year

May 2, 2002

Gear Train (DDD)
Figure 3550-410



ITEM	PART NUMBER	QTY	LINE	SERIES	ENGINE	TRANS	DESCRIPTION
		1	J, U		ER0	DDD	
32	4874 359	1	J, U		ENC	DDD	BEARING, Idler
		1	B, T		ER0	DDD	
		1	J, U		ER0	DDD	
33	4741 303	1	J, U		ENC	DDD	IDLER SHAFT, Transmission
		1	B, T		ER0	DDD	
		1	J, U		ER0	DDD	
34	4741 891	2	B, T		ER0	DDD	BALL, Check, 4 mm
		2	J, U		ER0	DDD	
		2	J, U		ENC	DDD	
35	4874 363	2	B, T		ER0	DDD	RING, Synchronizer Blocker
		2	J, U		ER0	DDD	
		2	J, U		ENC	DDD	
36	4874 405	2	B, T		ER0	DDD	CONE, Synchronizer
		2	J, U		ER0	DDD	
		2	J, U		ENC	DDD	

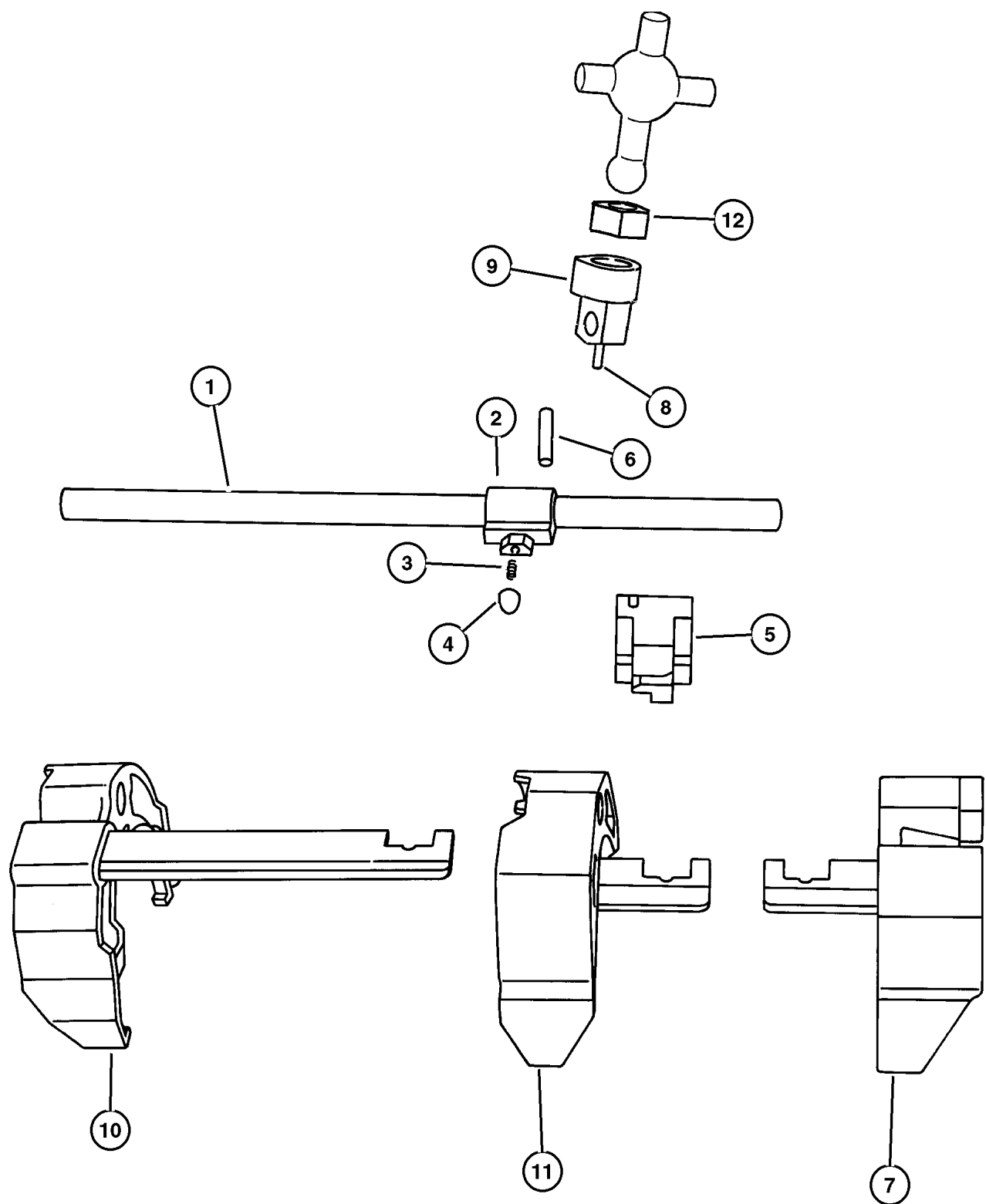
JEEP CHEROKEE (XJ)

SERIES	LINE	BODY	ENGINE	TRANSMISSION
P = Limited	J = LHD (4WD)	74=4 Dr. (101.4 WB)	ENC, EN0 = 2.5L 4 Cyl Turbo	DDD = 5 Speed Manual
S = Limited	U = RHD (4WD)	72=2 Dr. (101.4 WB)	ERH, ER0 = 4.0L Power Tech	DGS = 4 Speed Auto AISIN
H = Sport	T = LHD (2WD)			DG0 = All Automatic Trans
L = SE	B = RHD (2WD)			DBB = All Manual Trans

AR = Use as required - = Non illustrated part # = New this model year

May 2, 2002

Fork and Rails (DDD)
Figure 3550-910



ITEM	PART NUMBER	QTY	LINE	SERIES	ENGINE	TRANS	DESCRIPTION
Notes: Shocks----Check VIN Number for The Type of 'Z' Code Springs are on The Truck							
ER0 = All 4.0L 6 Cylinder Engines Shocks----Check VIN Number for The Type of 'Z' Code Springs are on The Truck							
ENC = 2.5L 4 Cylinder Turbo Diesel Engine Shocks----Check VIN Number for The Type of 'Z' Code Springs are on The Truck							
DDD = 5 Speed Heavy Duty Manual Transmissions Shocks----Check VIN Number for The Type of 'Z' Code Springs are on The Truck							
1	5015 951AA	1	J, U		ENC	DDD	SHAFT, Selector
		1	B, T		ER0	DDD	
		1	J, U		ER0	DDD	
2	5014 109AA	1	J, U		ENC	DDD	LEVER, Shift Shaft
		1	B, T		ER0	DDD	
		1	J, U		ER0	DDD	
3	4741 137	AR	B, T		ER0	DDD	SPRING, Lever
		AR	J, U		ER0	DDD	
		AR	J, U		ENC	DDD	
4	5015 949AA	1	J, U		ENC	DDD	PLUNGER
		1	B, T		ER0	DDD	
		1	J, U		ER0	DDD	
5	5012 337AA	1	B, T		ER0	DDD	BUSHING, Transmission
		1	J, U		ENC	DDD	
		1	J, U		ER0	DDD	
6	4741 138	1	B, T		ER0	DDD	PIN, Shift Shaft
		1	J, U		ENC	DDD	
		1	J, U		ER0	DDD	
7	5015 950AA	1	J, U		ENC	DDD	FORK, Third and Fourth
		1	B, T		ER0	DDD	
		1	J, U		ER0	DDD	
8	4741 139	1	B, T		ER0	DDD	PIN, Shift Shaft
		1	J, U		ENC	DDD	
		1	J, U		ER0	DDD	
9	4874 352	1	J, U		ENC	DDD	SOCKET, Shift Shaft
		1	B, T		ER0	DDD	
		1	J, U		ER0	DDD	
10							FORK, Transmission

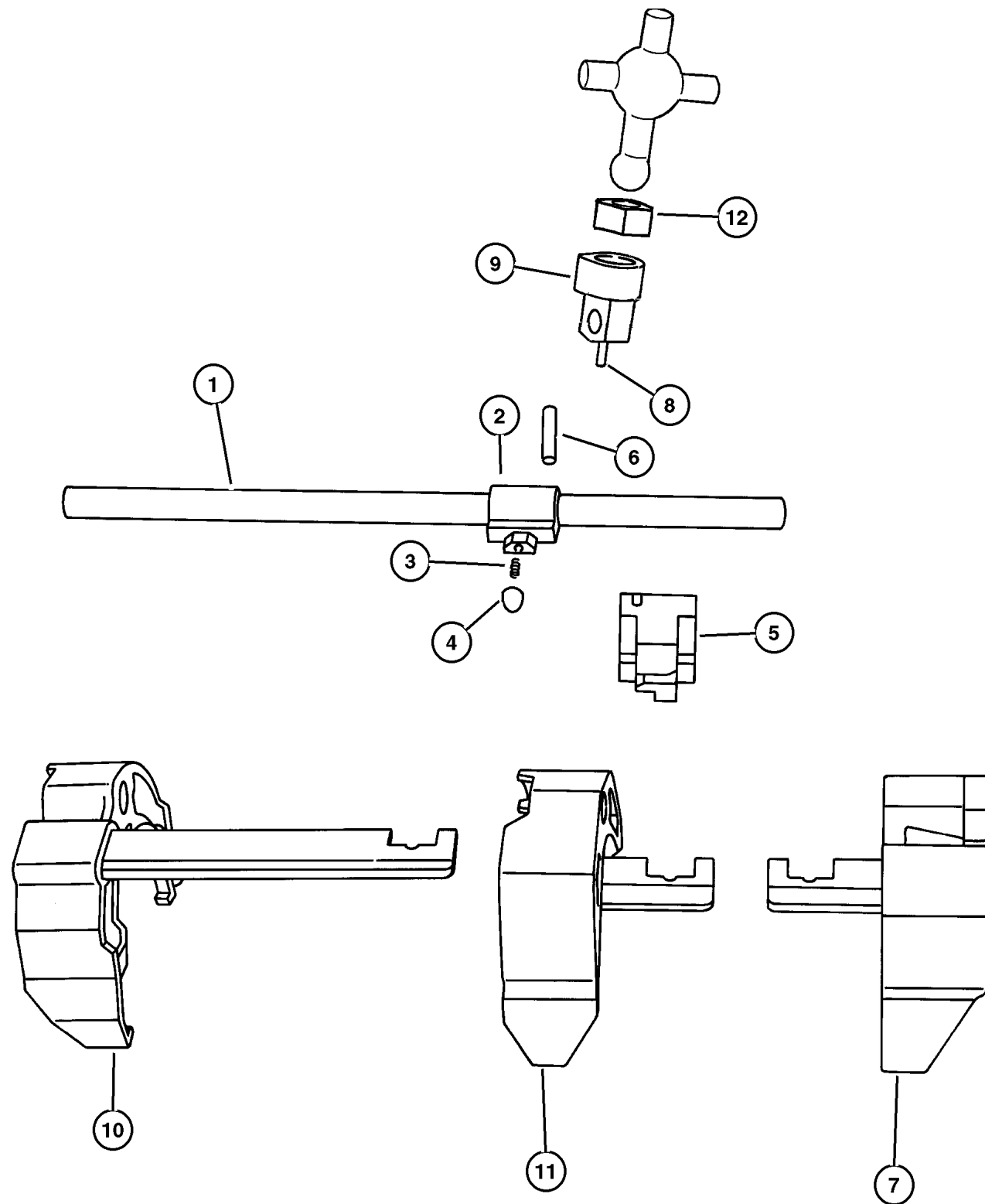
JEEP CHEROKEE (XJ)

SERIES	LINE	BODY	ENGINE	TRANSMISSION
P = Limited	J = LHD (4WD)	74=4 Dr. (101.4 WB)	ENC, EN0 = 2.5L 4 Cyl Turbo	DDD = 5 Speed Manual
S = Limited	U = RHD (4WD)	72=2 Dr. (101.4 WB)	ERH, ER0 = 4.0L Power Tech	DGS = 4 Speed Auto AISIN
H = Sport	T = LHD (2WD)			DG0 = All Automatic Trans
L = SE	B = RHD (2WD)			DBB = All Manual Trans

AR = Use as required - = Non illustrated part # = New this model year

May 2, 2002

Fork and Rails (DDD)
Figure 3550-910



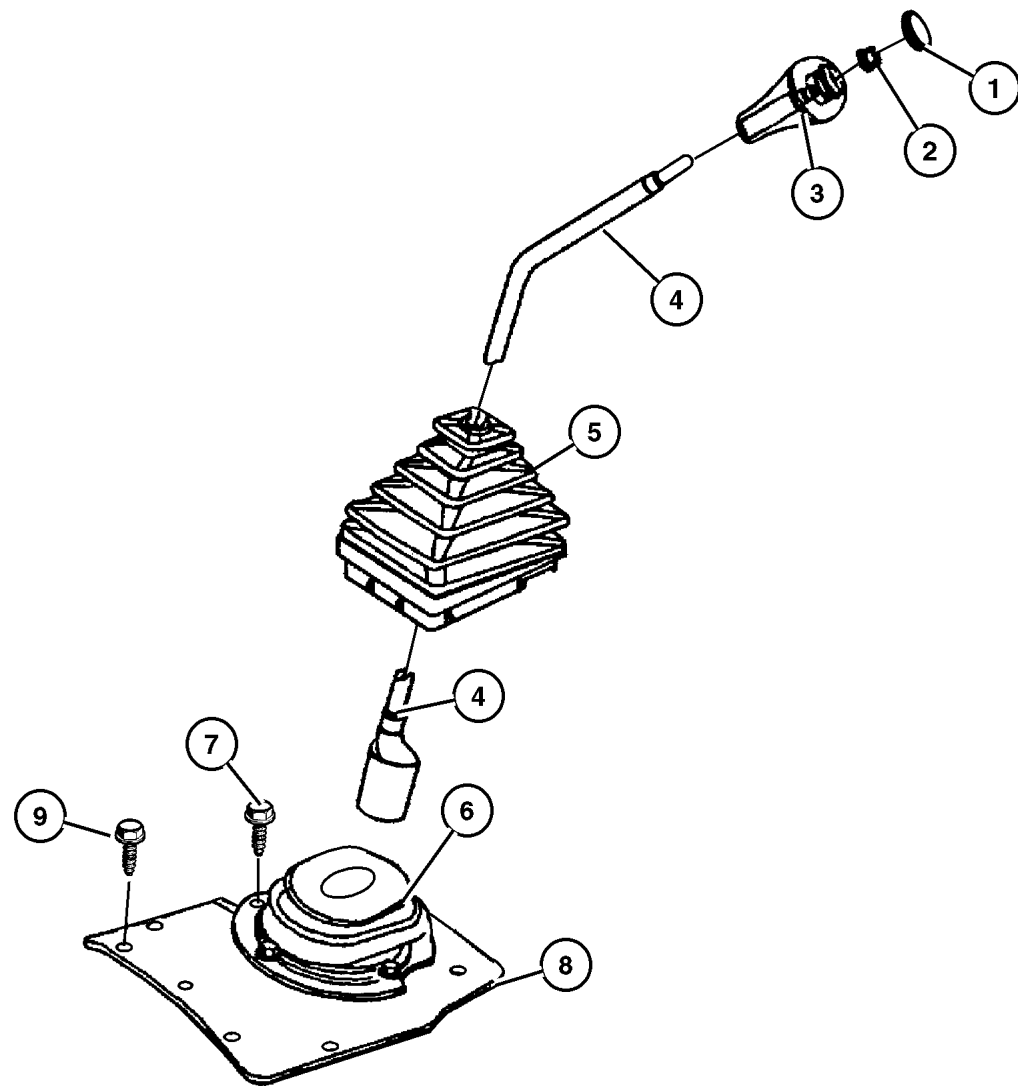
ITEM	PART NUMBER	QTY	LINE	SERIES	ENGINE	TRANS	DESCRIPTION
	4773 563AB	1	J, U		ENC	DDD	
		1	B, T		ER0	DDD	
11		1	J, U		ER0	DDD	FORK, First and Second
	5013 178AA	1	J, U		ENC	DDD	
		1	B, T		ER0	DDD	
12		1	J, U		ER0	DDD	ISOLATOR, Shift Lever
	5012 020AA	1	J, U		ENC	DDD	
		1	B, T		ER0	DDD	
		1	J, U		ER0	DDD	

JEEP CHEROKEE (XJ)				
SERIES	LINE	BODY	ENGINE	TRANSMISSION
P = Limited	J = LHD (4WD)	74=4 Dr. (101.4 WB)	ENC, EN0 = 2.5L 4 Cyl Turbo	DDD = 5 Speed Manual
S = Limited	U = RHD (4WD)	72=2 Dr. (101.4 WB)	ERH, ER0 = 4.0L Power Tech	DGS = 4 Speed Auto AISIN
H = Sport	T = LHD (2WD)			DG0 = All Automatic Trans
L = SE	B = RHD (2WD)			DBB = All Manual Trans

AR = Use as required - = Non illustrated part # = New this model year

May 2, 2002

**Gearshift Controls (DDD)
Figure 3550-1210**



ITEM	PART NUMBER	QTY	LINE	SERIES	ENGINE	TRANS	DESCRIPTION
Notes: Shocks----Check VIN Number for The Type of 'Z' Code Springs are on The Truck							
DBB = All Manual Transmissions Shocks----Check VIN Number for The Type of 'Z' Code Springs are on The Truck							
DDD = 5 Speed Heavy Duty Manual Transmissions Shocks----Check VIN Number for The Type of 'Z' Code Springs are on The Truck							
DD0 = All 5 Speed Manual Transmissions Shocks----Check VIN Number for The Type of 'Z' Code Springs are on The Truck							
1	4446 921	1				DD0	INSERT, Transmission Shift Knob
2	6502 556	1				DBB	NUT, Hex, M10-1.5
3	5210 4174	1				DD0	KNOB, Gearshift
4							LEVER, Gearshift
	52104 163AB	1	B, U			DBB	
	52104 166AB	1	J, T			DBB	
5	52104 079AC	1				DBB	BOOT, Gear Shift Lever
6	5210 4170	1				DBB	BOOT, Gear Shift Lever
7	1150 2843	7				DBB	SCREW, Hex Flange Head, M4.2x1.41x13.00
8	5210 4169	1				DBB	COVER, Floor Pan
9							SCREW, Hex Self Tapping, .19-16x.50, (NOT SERVICED)

JEEP CHEROKEE (XJ)				
SERIES	LINE	BODY	ENGINE	TRANSMISSION
P = Limited	J = LHD (4WD)	74=4 Dr. (101.4 WB)	ENC, EN0 = 2.5L 4 Cyl Turbo	DDD = 5 Speed Manual
S = Limited	U = RHD (4WD)	72=2 Dr. (101.4 WB)	ERH, ER0 = 4.0L Power Tech	DGS = 4 Speed Auto AISIN
H = Sport	T = LHD (2WD)			DG0 = All Automatic Trans
L = SE	B = RHD (2WD)			DBB = All Manual Trans

AR = Use as required - = Non illustrated part # = New this model year

May 2, 2002

Group – 231

Transfer Case Model 231

GROUP 231 - Transfer Case Model 231

Illustration Title

Group-Fig. No.

Transfer Case Assembly

Transfer Case Command Trac (DHN) Fig. 231-110

Case and Related Parts

Case and Related Parts Command Trac (DHN) Fig. 231-210

Gear Train

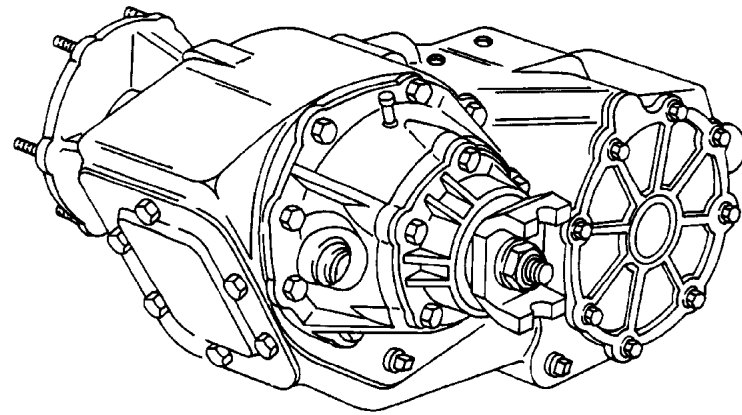
Gear Train Command Trac (DHN) Fig. 231-410

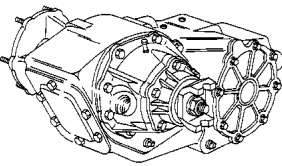
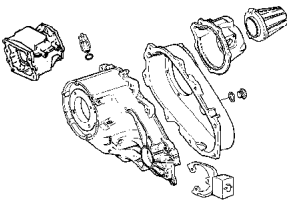
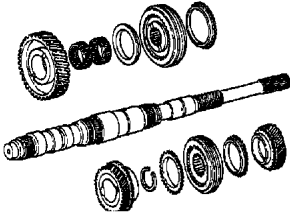
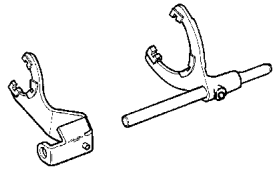
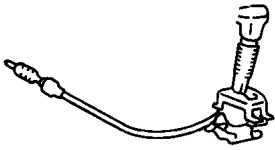
Fork and Rails

Fork and Rails Command Trac (DHN) Fig. 231-910

Gearshift Controls

Gearshift Controls Command Trac (DHN) Fig. 231-1220



<p>231-100 Transfer Case Assembly</p> 	<p>231-200 Case and Related Parts</p> 	<p>231-400 Gear Train</p> 	<p>231-900 Fork and Rails</p> 
<p>231-1200 Gearshift Controls</p> 			

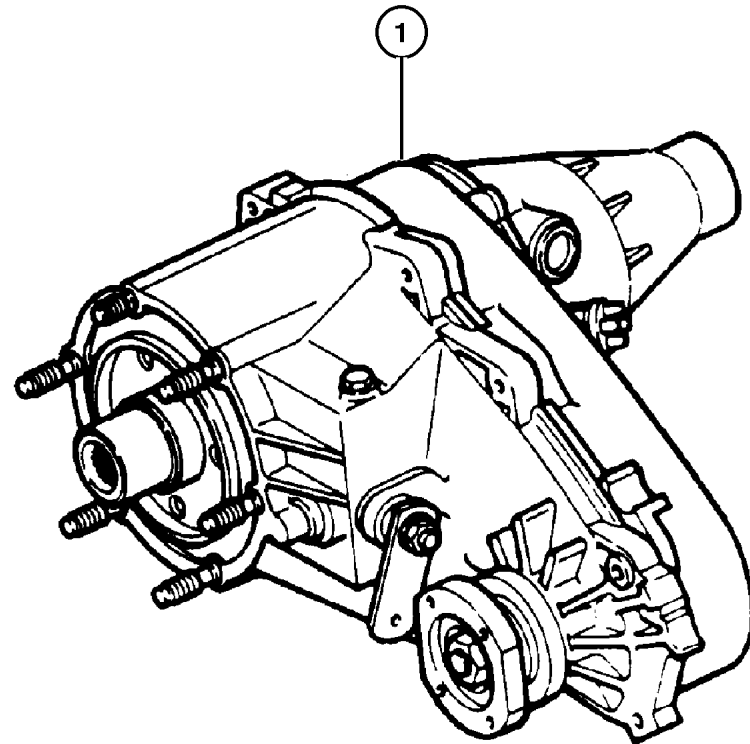
**Transfer Case Command Trac (DHN)
Figure 231-110**

ITEM	PART NUMBER	QTY	LINE	SERIES	ENGINE	TRANS	DESCRIPTION
------	-------------	-----	------	--------	--------	-------	-------------

Notes: Shocks----Check VIN Number for The Type of 'Z' Code Springs are on The Truck
 EN0 = All 4/5 Turbo Diesel Engines Shocks----Check VIN Number for The Type of 'Z' Code Springs are on The Truck
 ER0 = All 4.0L 6 Cylinder Engines Shocks----Check VIN Number for The Type of 'Z' Code Springs are on The Truck
 DDD = 5 Speed Heavy Duty Manual Transmissions Shocks----Check VIN Number for The Type of 'Z' Code Springs are on The Truck

DD0 = All Manual Transmissions Shocks----Check VIN Number for The Type of 'Z' Code Springs are on The Truck
 DG0 = All Automatic Transmissions Shocks----Check VIN Number for The Type of 'Z' Code Springs are on The Truck

1							TRANSFER CASE, NV231
	52099 212AB	1	J, U		ER0	DG0	
	5209 8913	1	J, U		EN0	DD0	
	52099 353AA	1	J, U		ER0	DDD	

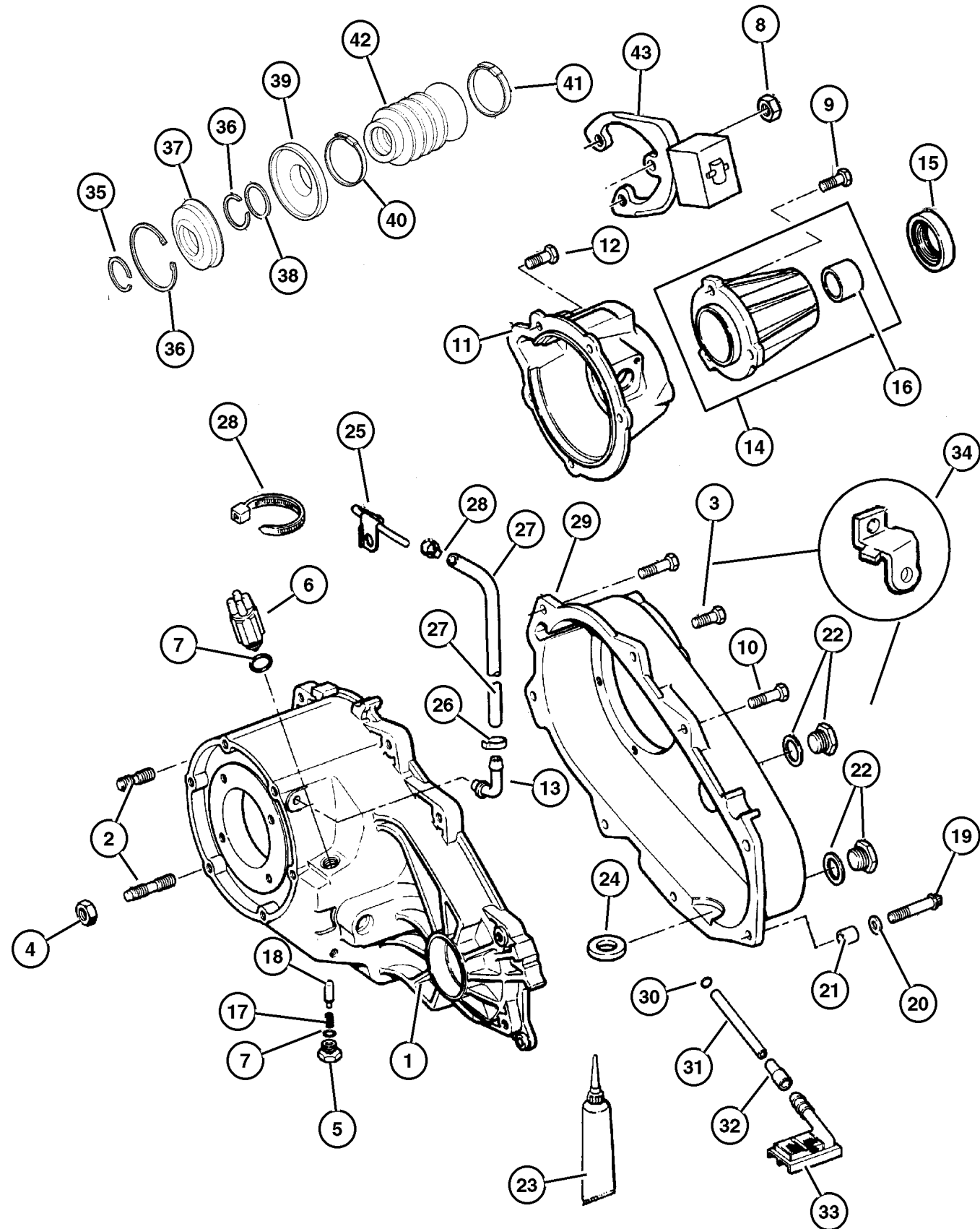


JEEP CHEROKEE (XJ)		BODY	ENGINE	TRANSMISSION
SERIES	LINE	74=4 Dr. (101.4 WB)	ENC, EN0 = 2.5L 4 Cyl Turbo	DDD = 5 Speed Manual
P = Limited	J = LHD (4WD)	72=2 Dr. (101.4 WB)	ERH, ER0 = 4.0L Power Tech	DGS = 4 Speed Auto AISIN
S = Limited	U = RHD (4WD)			DG0 = All Automatic Trans
H = Sport	T = LHD (2WD)			DBB = All Manual Trans
L = SE	B = RHD (2WD)			

AR = Use as required - = Non illustrated part # = New this model year

May 2, 2002

**Case and Related Parts Command Trac (DHN)
Figure 231-210**

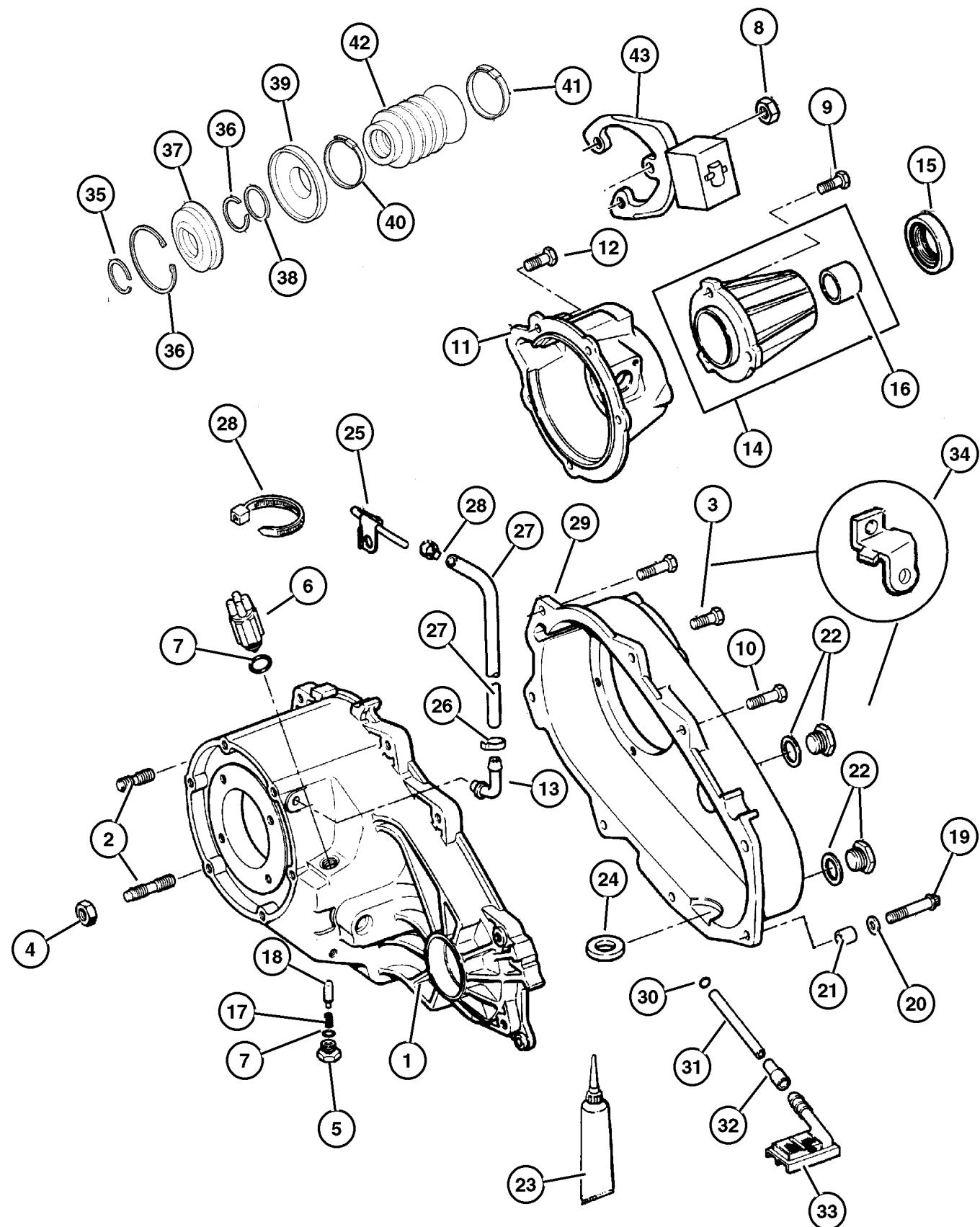


ITEM	PART NUMBER	QTY	LINE	SERIES	ENGINE	TRANS	DESCRIPTION
Notes: Shocks----Check VIN Number for The Type of 'Z' Code Springs are on The Truck							
EN0 = All 4/5 Turbo Diesel Engines Shocks----Check VIN Number for The Type of 'Z' Code Springs are on The Truck							
ER0 = All 4.0L 6 Cylinder Engines Shocks----Check VIN Number for The Type of 'Z' Code Springs are on The Truck							
EP0 = All 2.5L 4 Cylinder Engines Shocks----Check VIN Number for The Type of 'Z' Code Springs are on The Truck							
DDD = 5 Speed Heavy Duty Manual Transmissions Shocks----Check VIN Number for The Type of 'Z' Code Springs are on The Truck							
DD0 = All Manual Transmissions Shocks----Check VIN Number for The Type of 'Z' Code Springs are on The Truck							
DG0 = All Automatic Transmissions Shocks----Check VIN Number for The Type of 'Z' Code Springs are on The Truck							
1							CASE, Transfer Front
	4796 949	1	J, U		EN0	DD0	
	4798 111	1	J, U		ER0	DDD	
		1	J, U		ER0	DG0	
2							STUD, Tranmission Case
	4505 365	6	J, U		EN0	DD0	
		6	J, U		ER0	DDD	
	4167 922	6	J, U		ER0	DG0	
3							BOLT, Twelve Point Head, M10x1.5x48
	J813 0979	1	J, U		EN0	DD0	
		1	J, U		ER0	DDD	
		1	J, U		ER0	DG0	
4	J400 6681	6	J, U		EN0,		NUT AND CONED WASHER, Hex, .375-24
					ER0		
5							SCREW
	4886 473AA	1	J, U		EN0	DD0	
		1	J, U		ER0	DDD	
		1	J, U		ER0	DG0	
6							SWITCH, Transfer Case Mode
	J813 4473	1	J, U		EN0	DD0	
		1	J, U		ER0	DDD	
		1	J, U		ER0	DG0	
7	4338 956	1	J, U		ER0	DDD	SEAL, Vacuum Switch
8	6502 337	3	J, U		EN0	DDD	NUT, M10x1.5
9	4720 708	3	J, U		EN0	DD0	STUD
10	4210 617	5	J, U		ER0	DDD	BOLT, Transfer Case
11							RETAINER, Transfer Case Rear
	5017 477AA	1	J, U		ER0	DDD	
		1	J, U		ER0	DG0	
12	6500 318	9	J, U		ER0	DDD	BOLT
13							VENT, Transfer Case
	4796 910	1	J, U		ER0	DDD	
		1	J, U		ER0	DG0	
14	8350 3156	1	J, U		EN0	DD0	EXTENSION, Transfer Case

JEEP CHEROKEE (XJ)

SERIES	LINE	BODY	ENGINE	TRANSMISSION
P = Limited	J = LHD (4WD)	74=4 Dr. (101.4 WB)	ENC, EN0 = 2.5L 4 Cyl Turbo	DDD = 5 Speed Manual
S = Limited	U = RHD (4WD)	72=2 Dr. (101.4 WB)	ERH, ER0 = 4.0L Power Tech	DGS = 4 Speed Auto AISIN
H = Sport	T = LHD (2WD)			DG0 = All Automatic Trans
L = SE	B = RHD (2WD)			DBB = All Manual Trans

Case and Related Parts Command Trac (DHN)
Figure 231-210



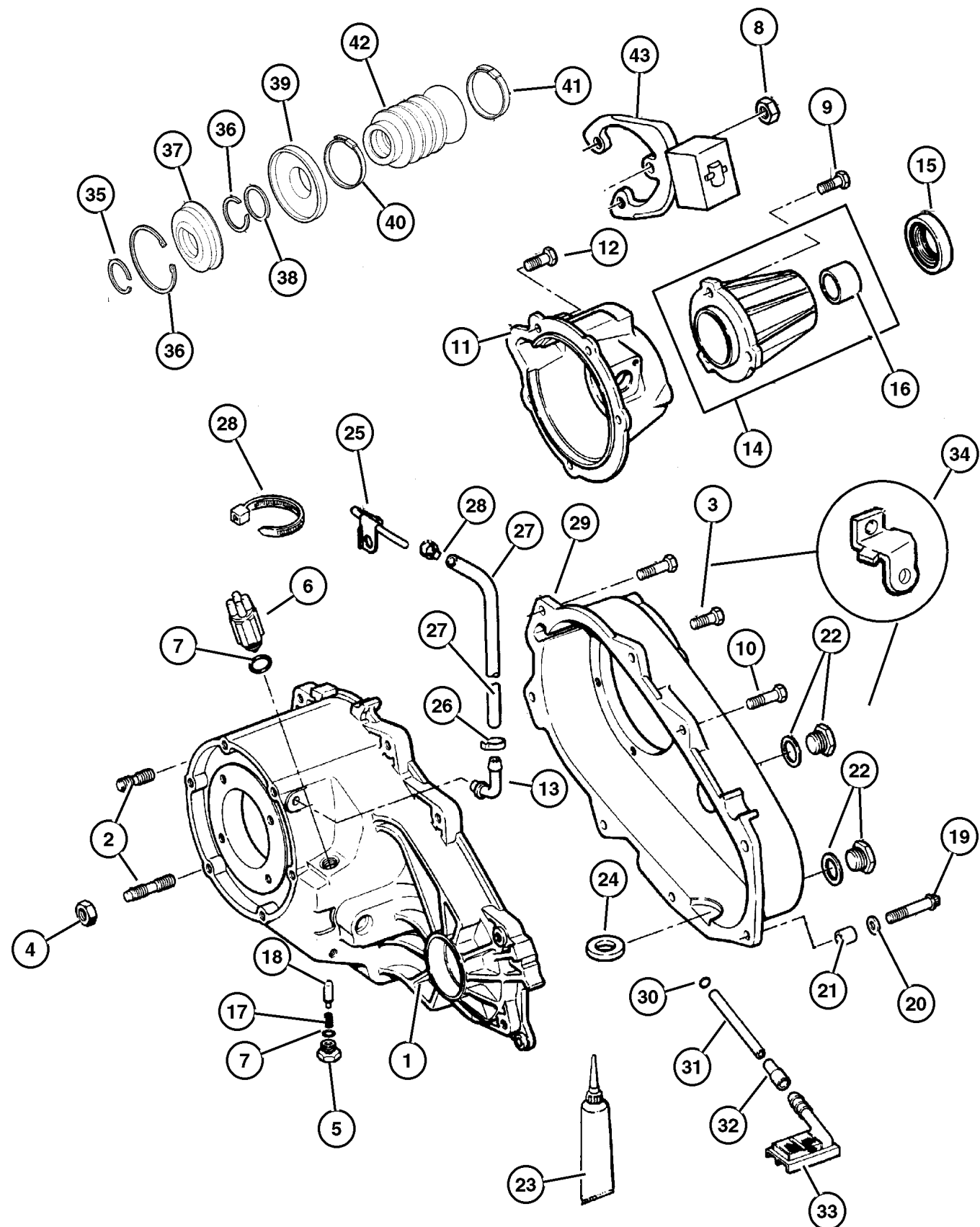
ITEM	PART NUMBER	QTY	LINE	SERIES	ENGINE	TRANS	DESCRIPTION
15	4638 904	1	J, U		EN0	DD0	SEAL, Output
16	J813 4490	1	J, U		EN0	DD0	BUSHING, Extension Housing
17	4638 497	1	J, U		ER0	DDD	SPRING, Shift Detent
18	5300 8217	1	J, U		ER0	DDD	PLUNGER
19	4210 614	2	J, U		EN0	DD0	BOLT, Hex Flange Head
		2	J, U		ER0	DDD	
20							WASHER, Flat
	4210 983	2	J, U		ER0	DDD	
	4446 487	1	J, U		ER0	DDD	
		1	J, U		ER0	DG0	
21							DOWEL, Transfer Case
	4116 310	2	J, U		EN0	DD0	
		2	J, U		ER0	DDD	
22	4856 641	2	J, U		ER0	DDD	PLUG, Oil Fill
23	5010 884AA	1	J, U		EN0	DD0	SEALANT, RTV
24	3681 601	1	J, U		ER0	DDD	MAGNET, Transmission
25	4796 910	1	J, U		ER0	DDD	VENT, Transfer Case
		1	J, U		ER0	DG0	
26	6502 081	2	J, U				CLAMP, Oil Cooler Line
27	4443 176	1	J, U		EN0, EPO		HOSE, Fuel, .31 I.D. 50 Foot Roll
28	4641 780	1					STRAP, Tie
29	4886 222AA	1	J, U		ER0	DDD	CASE, Transfer Rear
		1	J, U		ER0	DG0	
30							SEAL, Oil
	4338 942	1	J, U		ER0	DDD	
		1	J, U		ER0	DG0	
31							TUBE, Oil Pickup
	4338 941	1	J, U		ER0	DDD	
		1	J, U		ER0	DG0	
32							CONNECTOR, Oil Tube Pickup
	4338 944	1	J, U		ER0	DDD	
		1	J, U		ER0	DG0	
33							FILTER, Transfer Case Oil
	4338 943	1	J, U		ER0	DDD	
		1	J, U		ER0	DG0	
34	5209 8522	1	J, U		ER0		BRACKET, Tube
35							SNAP RING

JEEP CHEROKEE (XJ)
 SERIES LINE BODY ENGINE TRANSMISSION
 P = Limited J = LHD (4WD) 74=4 Dr. (101.4 WB) ENC, EN0 = 2.5L 4 Cyl Turbo DDD = 5 Speed Manual
 S = Limited U = RHD (4WD) 72=2 Dr. (101.4 WB) ERH, ER0 = 4.0L Power Tech DGS = 4 Speed Auto AISIN
 H = Sport T = LHD (2WD) DBB = All Manual Trans
 L = SE B = RHD (2WD)

AR = Use as required - = Non illustrated part # = New this model year

May 2, 2002

Case and Related Parts Command Trac (DHN)
Figure 231-210

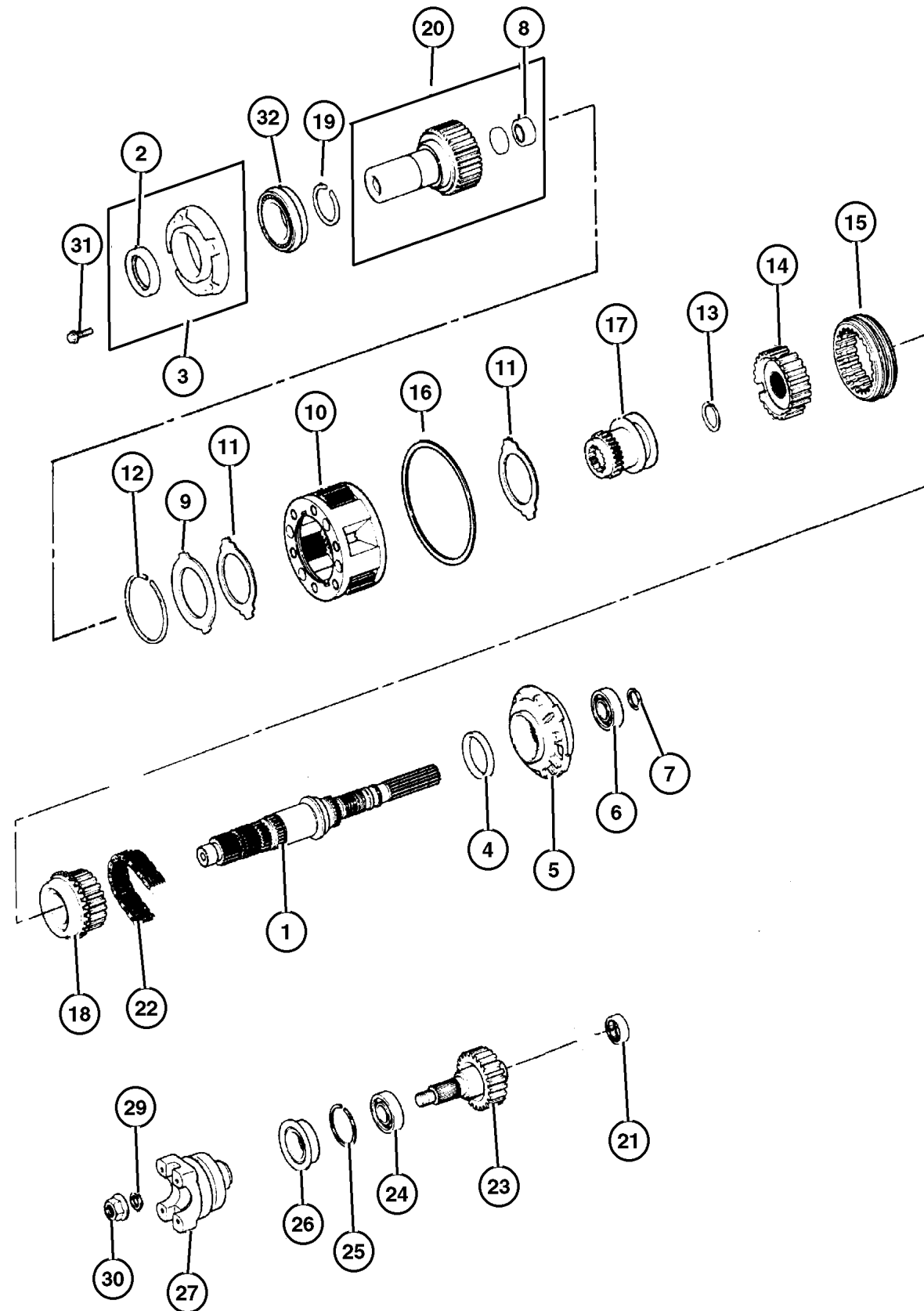


ITEM	PART NUMBER	QTY	LINE	SERIES	ENGINE	TRANS	DESCRIPTION
	4338 933	1	J, U		ER0	DDD	
		1	J, U		ER0	DG0	
36	J813 4488	1	J, U		ER0	DDD	SNAP RING
		1	J, U		ER0	DG0	
37							SEAL, Output Shaft
	4798 117	1	J, U		ER0	DDD	52099353AA
		1	J, U		ER0	DG0	52099212AB
38	S243 6163	1	J, U		EN0	DD0	WASHER, Flat
39	5016 615AA	1	J, U		ER0	DG0	SLINGER, Oil
40	4798 121	1	J, U		ER0	DG0	CLAMP, Boot
41							CLAMP, Boot
	4798 122	1	J, U		ER0	DDD	
		1	J, U		ER0	DG0	
42	4798 123	1	J, U		ER0	DG0	BOOT, Driveshaft
43							DAMPER, Transfer Case
	5209 8509	1	J, U		ENC		
	5017 819AA	1	J, U		ER0	DDD	

JEEP CHEROKEE (XJ)
 SERIES LINE BODY ENGINE TRANSMISSION
 P = Limited J = LHD (4WD) 74=4 Dr. (101.4 WB) ENC, EN0 = 2.5L 4 Cyl Turbo DDD = 5 Speed Manual
 S = Limited U = RHD (4WD) 72=2 Dr. (101.4 WB) ERH, ER0 = 4.0L Power Tech DGS = 4 Speed Auto AISIN
 H = Sport T = LHD (2WD) DBB = All Manual Trans
 L = SE B = RHD (2WD)

AR = Use as required - = Non illustrated part # = New this model year

**Gear Train Command Trac (DHN)
Figure 231-410**



ITEM	PART NUMBER	QTY	LINE	SERIES	ENGINE	TRANS	DESCRIPTION
Notes: Shocks----Check VIN Number for The Type of 'Z' Code Springs are on The Truck							
EN0 = All 4/5 Turbo Diesel Engines Shocks----Check VIN Number for The Type of 'Z' Code Springs are on The Truck							
ER0 = All 4.0L 6 Cylinder Engines Shocks----Check VIN Number for The Type of 'Z' Code Springs are on The Truck							
DDD = 5 Speed Heavy Duty Manual Transmissions Shocks----Check VIN Number for The Type of 'Z' Code Springs are on The Truck							
DD0 = All Manual Transmissions Shocks----Check VIN Number for The Type of 'Z' Code Springs are on The Truck							
DG0 = All Automatic Transmissions Shocks----Check VIN Number for The Type of 'Z' Code Springs are on The Truck							
1							MAINSHAFT, Transfer Case
	4796 907	1	J, U		EN0	DD0	
	5016 630AA	1	J, U		ER0	DG0	
	5017 631AA	1	J, U		ER0	DDD	
2							SEAL, Input Gear
	4167 929	1	J, U		ER0	DDD	
		1	J, U		ER0	DG0	
		1	J, U		EN0	DD0	
3	8350 3156	1	J, U		EN0	DD0	EXTENSION, Transfer Case
4							SEAL, Main Shaft
	4210 603	1	J, U		ER0	DDD	
		1	J, U		ER0	DG0	
		1	J, U		EN0	DD0	
5							PUMP, Transfer Case Oil
	4338 936	1	J, U		ER0	DDD	
		1	J, U		ER0	DG0	
		1	J, U		EN0	DD0	
6							BEARING
	4338 892	1	J, U		ER0	DG0	
		1	J, U		ER0	DDD	
		1	J, U		EN0	DD0	
7							SNAP RING
	J813 4488	1	J, U		ER0	DDD	
		1	J, U		ER0	DG0	
		1	J, U		EN0	DD0	
8							BEARING, Input Shaft
	8350 3507	1	J, U		ER0	DG0	Pilot Bearing
		1	J, U		ER0	DDD	Pilot Bearing
		1	J, U		EN0	DD0	Pilot Bearing
9							RING
	4338 909	1	J, U		ER0	DDD	
		1	J, U		ER0	DG0	
		1	J, U		EN0	DD0	
10							PLANETARY, Transfer Case
	4796 903	1	J, U		ER0	DDD	

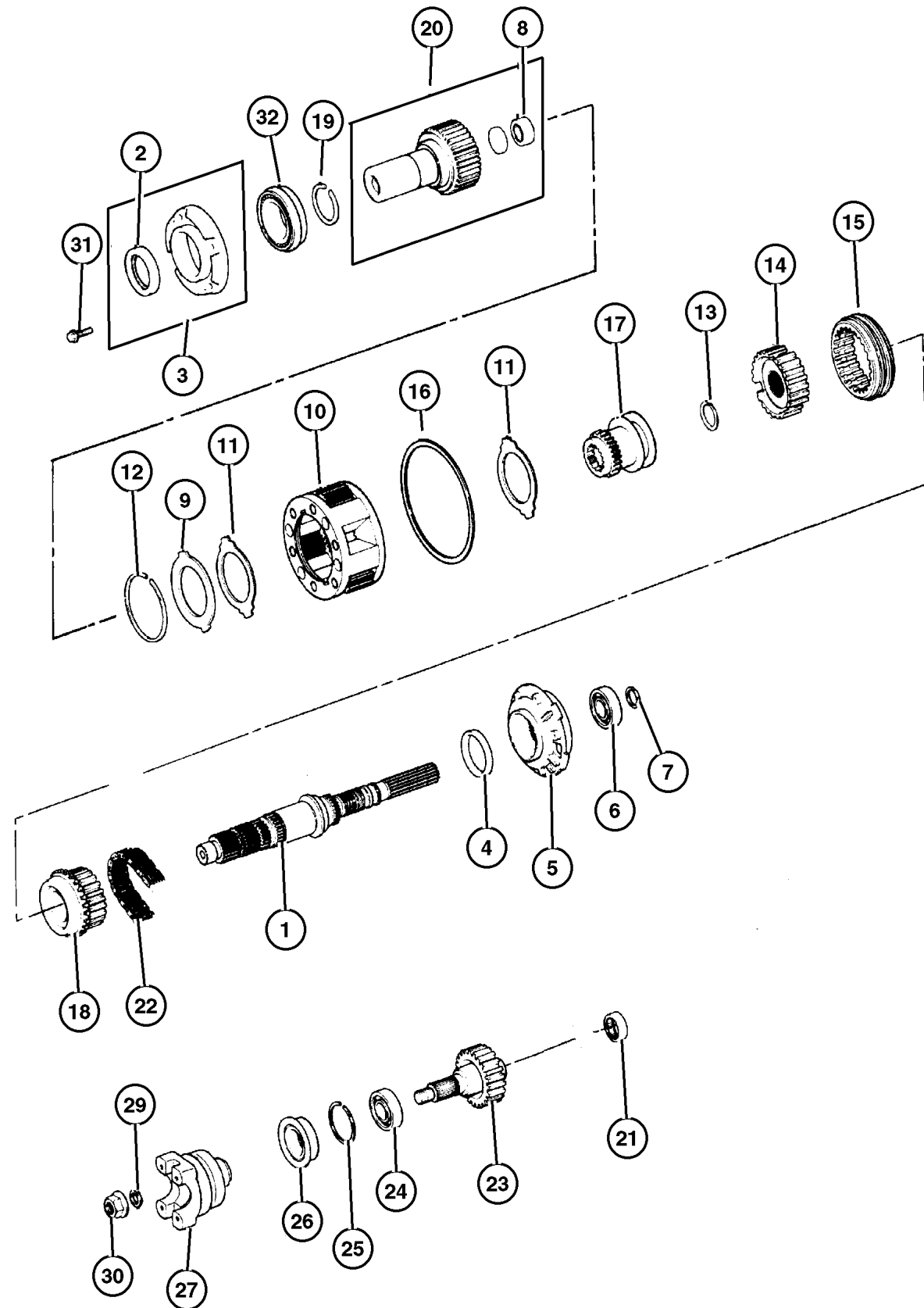
JEEP CHEROKEE (XJ)

SERIES	LINE	BODY	ENGINE	TRANSMISSION
P = Limited	J = LHD (4WD)	74=4 Dr. (101.4 WB)	ENC, EN0 = 2.5L 4 Cyl Turbo	DDD = 5 Speed Manual
S = Limited	U = RHD (4WD)	72=2 Dr. (101.4 WB)	ERH, ER0 = 4.0L Power Tech	DGS = 4 Speed Auto AISIN
H = Sport	T = LHD (2WD)			DG0 = All Automatic Trans
L = SE	B = RHD (2WD)			DBB = All Manual Trans

AR = Use as required - = Non illustrated part # = New this model year

May 2, 2002

**Gear Train Command Trac (DHN)
Figure 231-410**



ITEM	PART NUMBER	QTY	LINE	SERIES	ENGINE	TRANS	DESCRIPTION
		1	J, U		EN0	DD0	
11	4338 908	2	J, U		ER0	DG0	THRUST WASHER, Planetary Carrier
12	4338 910	1	J, U		ER0	DDD	SNAP RING
		1	J, U		EN0	DD0	
13	4338 933	1	J, U		ER0	DG0	SNAP RING
		1	J, U		ER0	DDD	
14	4741 240	1	J, U		EN0	DD0	HUB, Synchronizer Mode
		1	J, U		ER0	DDD	
15	4796 909	1	J, U		EN0	DD0	SLEEVE, Mode Synchronizer
		1	J, U		ER0	DDD	
16	4219 065	1	J, U		EN0	DD0	SNAP RING, Annulus Gear
		1	J, U		ER0	DDD	
17	4796 906	1	J, U		EN0	DD0	SLEEVE, Shift Range
		1	J, U		ER0	DG0	
		1	J, U		ER0	DDD	
18	4796 908	1	J, U		EN0	DD0	SPROCKET, Transfer Case
		1	J, U		ER0	DG0	
		1	J, U		EN0	DD0	
19	3821 558	1	J, U		ER0	DG0	SNAP RING
		1	J, U		ER0	DDD	
		1	J, U		EN0	DD0	
20	4798 113	1	J, U		ER0	DG0	GEAR, Input
		1	J, U		ER0	DDD	
		1	J, U		EN0	DD0	
21	4796 904	1	J, U		EN0	DD0	BEARING, Output Shaft
		1	J, U		ER0	DDD	
		1	J, U		ER0	DG0	

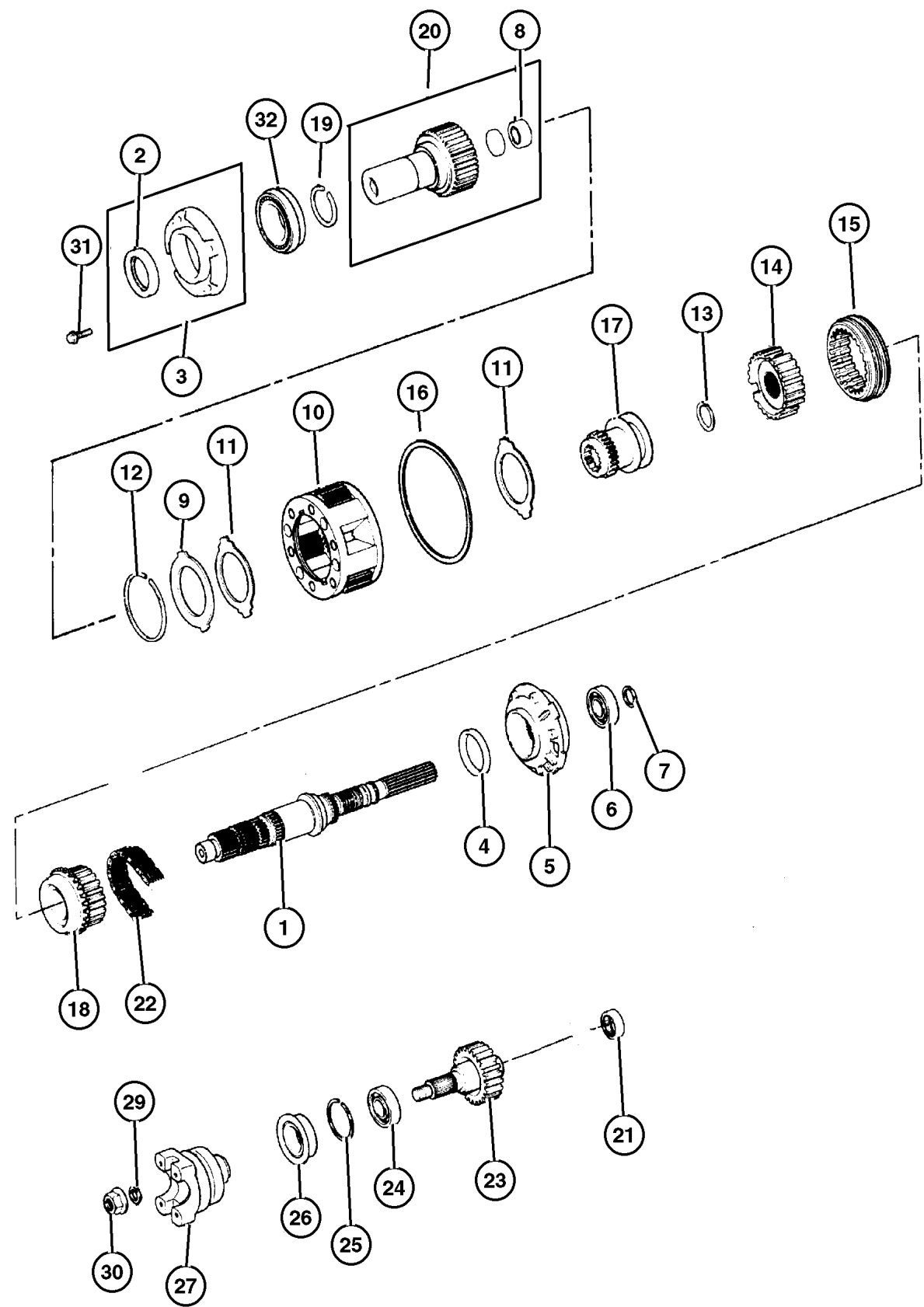
JEEP CHEROKEE (XJ)

SERIES	LINE	BODY	ENGINE	TRANSMISSION
P = Limited	J = LHD (4WD)	74=4 Dr. (101.4 WB)	ENC, EN0 = 2.5L 4 Cyl Turbo	DDD = 5 Speed Manual
S = Limited	U = RHD (4WD)	72=2 Dr. (101.4 WB)	ERH, ER0 = 4.0L Power Tech	DGS = 4 Speed Auto AISIN
H = Sport	T = LHD (2WD)			DG0 = All Automatic Trans
L = SE	B = RHD (2WD)			DBB = All Manual Trans

AR = Use as required - = Non illustrated part # = New this model year

May 2, 2002

**Gear Train Command Trac (DHN)
Figure 231-410**



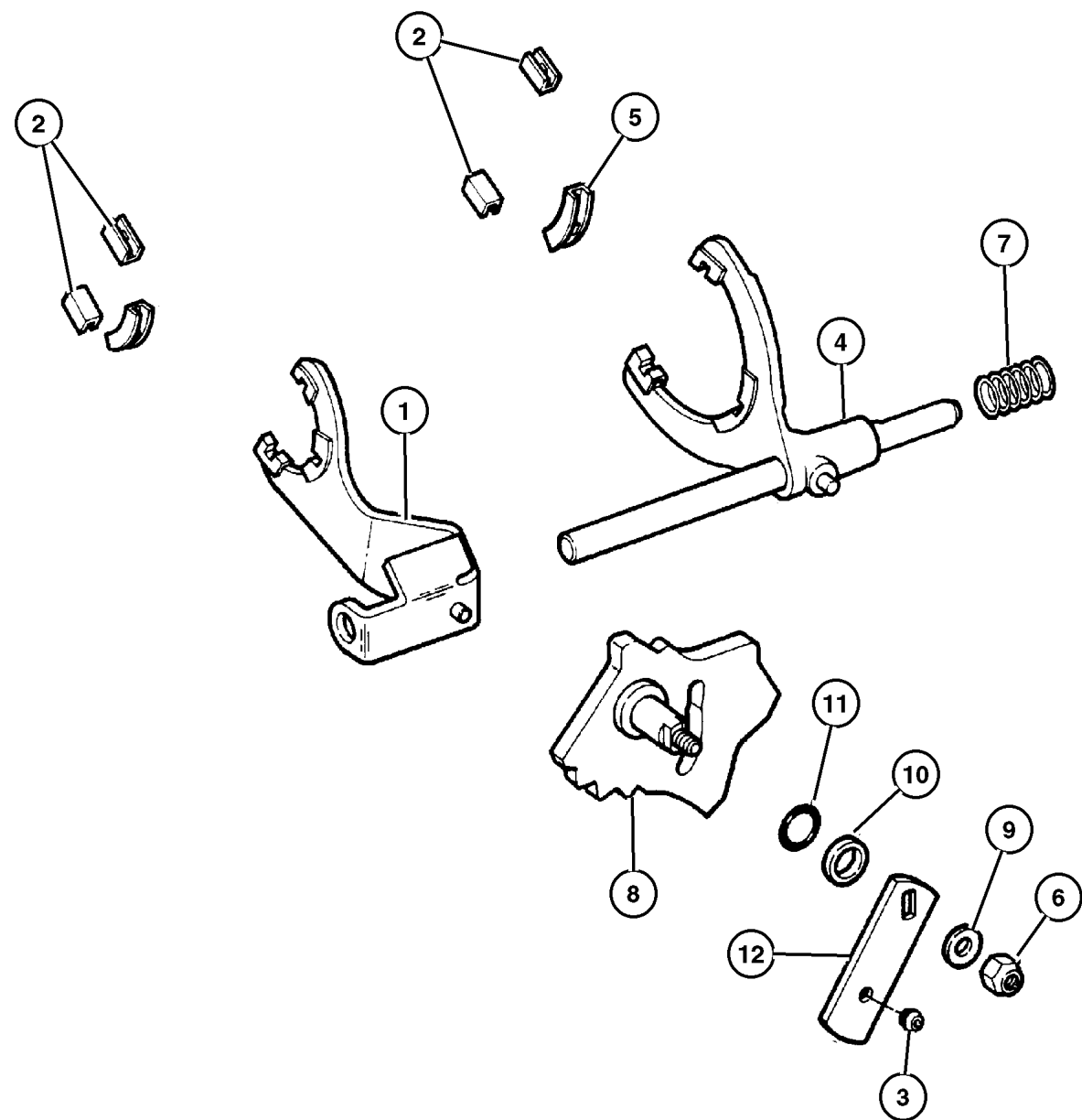
ITEM	PART NUMBER	QTY	LINE	SERIES	ENGINE	TRANS	DESCRIPTION
		1	J, U		EN0	DD0	
22	4338 935	1	J, U		ER0	DDD	CHAIN, Transfer Case
		1	J, U		ER0	DG0	
		1	J, U		EN0	DD0	
23	4338 934	1	J, U		ER0	DDD	OUTPUT SHAFT, Transfer Case
		1	J, U		ER0	DG0	
		1	J, U		EN0	DD0	
24	4338 892	1	J, U		ER0	DG0	BEARING
		1	J, U		ER0	DDD	
		1	J, U		EN0	DD0	
25	4338 894	1	J, U		ER0	DG0	SNAP RING, Bearing
		1	J, U		ER0	DDD	
		1	J, U		EN0	DD0	
26	4338 893	1	J, U		EN0	DD0	SEAL, Output
27	4798 120	1	J, U		ER0	DG0	YOKE, Transfer Case Output
		1	J, U		ER0	DDD	
	4446 494	1	J, U		EN0	DD0	
-28	4798 112	1	J, U		ER0	DDD	SEAL Extension Yoke
		1	J, U		ER0	DG0	Extension Yoke
29	4446 487	1	J, U		ER0	DDD	WASHER, Flat
		1	J, U		EN0	DD0	
		1	J, U		ER0	DG0	
30	4446 488	1	J, U		ER0	DDD	NUT, Hex Flange
		1	J, U		ER0	DG0	
		1	J, U		EN0	DD0	
31	6500 318	4	J, U		ER0	DG0	BOLT
32	4746 155	1	J, U		ER0	DDD	BEARING, Input Gear
		1	J, U		ER0	DG0	
		1	J, U		EN0	DD0	

JEEP CHEROKEE (XJ)
 SERIES LINE BODY ENGINE TRANSMISSION
 P = Limited J = LHD (4WD) 74=4 Dr. (101.4 WB) ENC, EN0 = 2.5L 4 Cyl Turbo DDD = 5 Speed Manual
 S = Limited U = RHD (4WD) 72=2 Dr. (101.4 WB) ERH, ER0 = 4.0L Power Tech DGS = 4 Speed Auto AISIN
 H = Sport T = LHD (2WD) DG0 = All Automatic Trans
 L = SE B = RHD (2WD) DBB = All Manual Trans

AR = Use as required - = Non illustrated part # = New this model year

May 2, 2002

Fork and Rails Command Trac (DHN)
Figure 231-910



ITEM	PART NUMBER	QTY	LINE	SERIES	ENGINE	TRANS	DESCRIPTION
Notes: Shocks----Check VIN Number for The Type of 'Z' Code Springs are on The Truck							
EN0 = All 4/5 Turbo Diesel Engines Shocks----Check VIN Number for The Type of 'Z' Code Springs are on The Truck							
ER0 = All 4.0L 6 Cylinder Engines Shocks----Check VIN Number for The Type of 'Z' Code Springs are on The Truck							
DDD = 5 Speed Heavy Duty Manual Transmissions Shocks----Check VIN Number for The Type of 'Z' Code Springs are on The Truck							
DD0 = All Manual Transmissions Shocks----Check VIN Number for The Type of 'Z' Code Springs are on The Truck							
DG0 = All Automatic Transmissions Shocks----Check VIN Number for The Type of 'Z' Code Springs are on The Truck							
1							FORK, Range
	4798 136	1	J, U		EN0	DD0	
		1	J, U		ER0	DG0	
		1	J, U		ER0	DDD	
2							PAD, Shift Fork
	4167 969	2	J, U		EN0	DD0	
		2	J, U		ER0	DG0	
		2	J, U		ER0	DDD	
3	5300 4810	1	J, U		ER0	DDD	BUSHING, Shift Lever
4							FORK, Transfer Case Mode Shift
	4741 237	1	J, U		ER0	DDD	
		1	J, U		ER0	DG0	
		1	J, U		EN0	DD0	
5							PAD, Shift Fork
	4219 073	1	J, U		ER0	DG0	
		1	J, U		EN0	DD0	
		1	J, U		ER0	DDD	
6	0152 345	1	J, U		ER0	DDD	NUT, Hex Flange Lock
7							SPRING, Mode Shift Rail
	4338 925	1	J, U		ER0	DDD	
		1	J, U		ER0	DG0	
8							SECTOR, Transfer Case
	4638 845	1	J, U		ER0	DDD	
		1	J, U		ER0	DG0	
9							WASHER, Flat
	S243 6163	1	J, U		EN0	DD0	
		1	J, U		ER0	DG0	
10							RETAINER, Rear Clutch
	4167 964	1	J, U		ER0	DDD	
		1	J, U		ER0	DG0	
11							SEAL, O-Ring
	4167 963	1	J, U		ER0	DDD	
		1	J, U		ER0	DG0	
12							LEVER, Selector
	4897 185AA	1	J, U		ER0	DDD	

JEEP CHEROKEE (XJ)

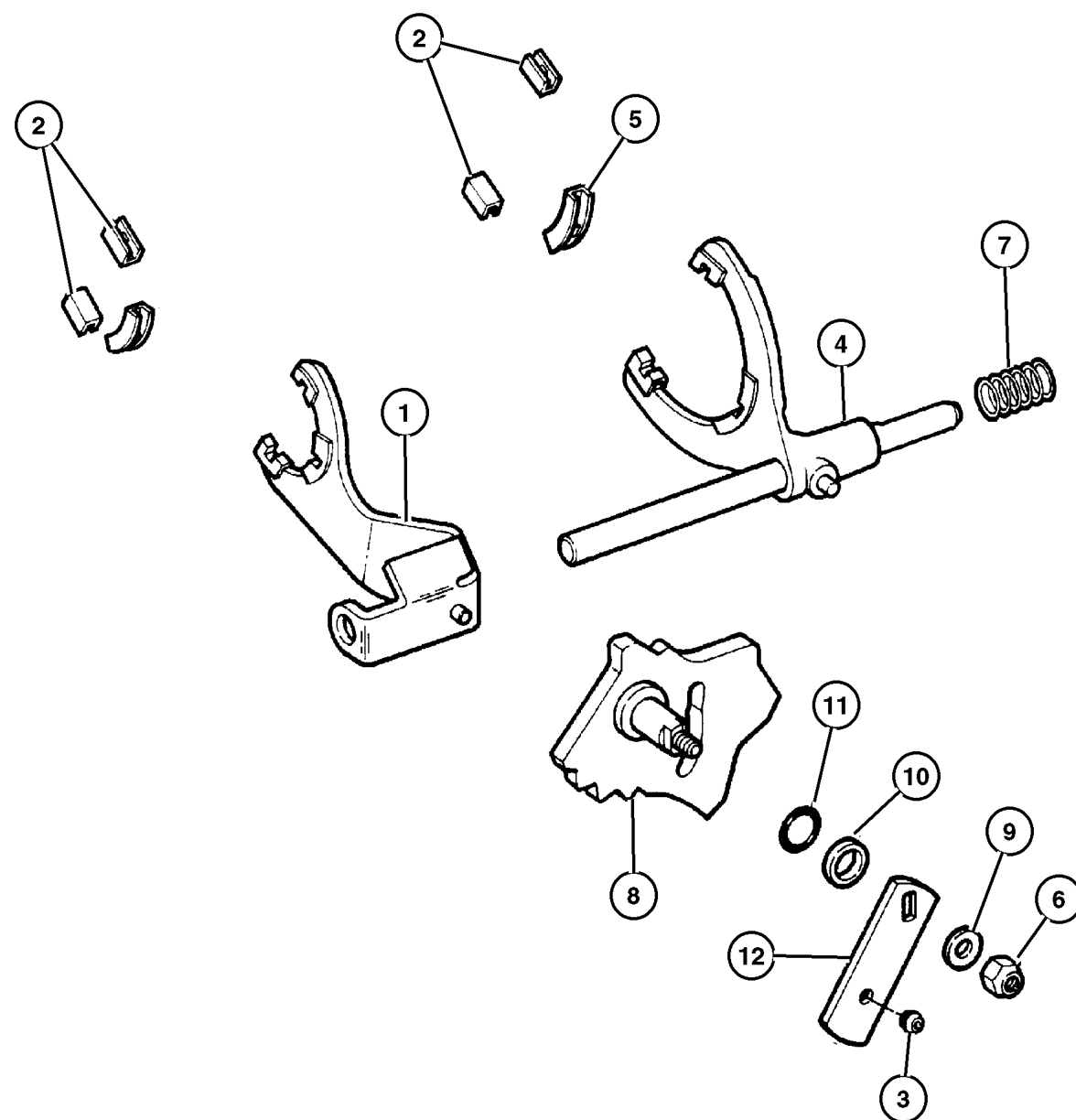
SERIES	LINE	BODY	ENGINE	TRANSMISSION
P = Limited	J = LHD (4WD)	74=4 Dr. (101.4 WB)	ENC, EN0 = 2.5L 4 Cyl Turbo	DDD = 5 Speed Manual
S = Limited	U = RHD (4WD)	72=2 Dr. (101.4 WB)	ERH, ER0 = 4.0L Power Tech	DGS = 4 Speed Auto AISIN
H = Sport	T = LHD (2WD)			DG0 = All Automatic Trans
L = SE	B = RHD (2WD)			DBB = All Manual Trans

AR = Use as required - = Non illustrated part # = New this model year

May 2, 2002

Fork and Rails Command Trac (DHN)
Figure 231-910

ITEM	PART NUMBER	QTY	LINE	SERIES	ENGINE	TRANS	DESCRIPTION
		1	J, U		ER0	DG0	



JEEP CHEROKEE (XJ)				
SERIES	LINE	BODY	ENGINE	TRANSMISSION
P = Limited	J = LHD (4WD)	74=4 Dr. (101.4 WB)	ENC, EN0 = 2.5L 4 Cyl Turbo	DDD = 5 Speed Manual
S = Limited	U = RHD (4WD)	72=2 Dr. (101.4 WB)	ERH, ER0 = 4.0L Power Tech	DGS = 4 Speed Auto AISIN
H = Sport	T = LHD (2WD)			DG0 = All Automatic Trans
L = SE	B = RHD (2WD)			DBB = All Manual Trans

AR = Use as required - = Non illustrated part # = New this model year

May 2, 2002

**Gearshift Controls Command Trac (DHN)
Figure 231-1220**

ITEM	PART NUMBER	QTY	LINE	SERIES	ENGINE	TRANS	DESCRIPTION
------	-------------	-----	------	--------	--------	-------	-------------

Notes: Shocks----Check VIN Number for The Type of 'Z' Code Springs are on The Truck
 ENC =2.5L 4 Cylinder Turbo Diesel Engines Shocks----Check VIN Number for The Type of 'Z' Code Springs are on The Truck
 ER0 = All 4.0L 6 Cylinder Engines Shocks----Check VIN Number for The Type of 'Z' Code Springs are on The Truck
 DDD = 5 Speed Heavy Duty Manual Transmissions Shocks----Check VIN Number for The Type of 'Z' Code Springs are on The Truck

DBB = All Manual Transmissions Shocks----Check VIN Number for The Type of 'Z' Code Springs are on The Truck
 DG0 = All Automatic Transmissions Shocks----Check VIN Number for The Type of 'Z' Code Springs are on The Truck

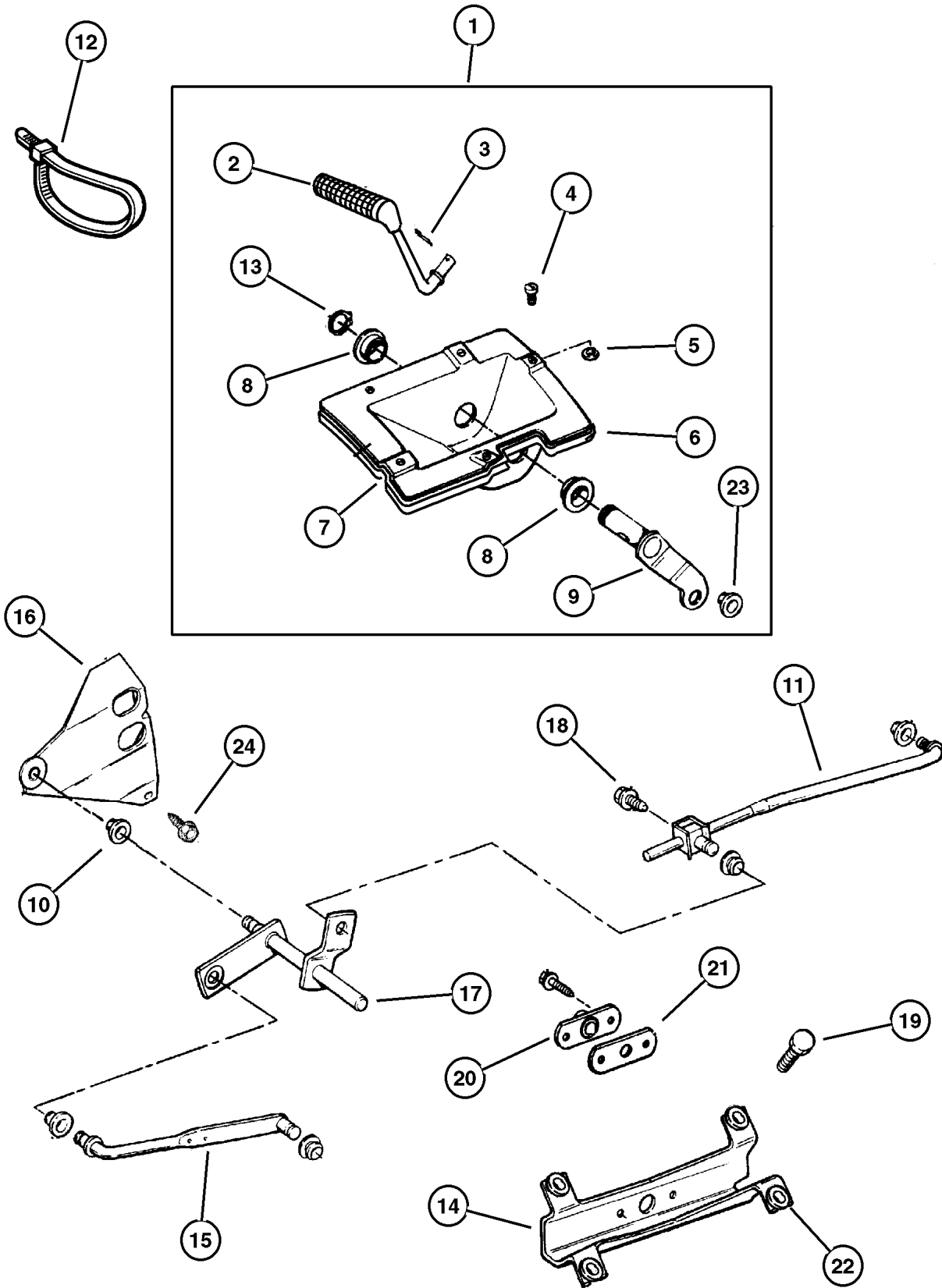
1							SHIFTER, Transfer Case
	52104 100AC	1	J				
	52104 101AC	1	U				
2							LEVER, Transfer Case Shifter
	5207 9256	1	J				
		1	U				
3							PIN, Cotter
	J400 6723	1	U				
		1	J				
4							FASTENER, Push On
	5207 7671	1	J				
		1	U				
5							NUT, Push, M5
	6100 839	2	U				
		2	J				
6							BOOT, Transfer Case Lever
	5210 4019	1	U				
		1	J				
7							HOUSING, Shift Lever
	5300 1284	1	U				
		1	J				
8							BUSHING, Shift Control
	5300 0639	2	U				
		2	J				
9							LEVER, Transfer Case
	53005 150AC	1	U				
		1	J				
10	5300 4810	1	J, U		ENC	DBB	BUSHING, Shift Lever
11	5210 4073	1	J, U		ER0	DG0	ROD, Gear Shift Control, Transfer Case
12							STRAP, Retaining
	J369 3058	1	U				
		1	J				
13							SNAP RING
	1150 5389	1	J				
		1	U				

JEEP CHEROKEE (XJ)

SERIES	LINE	BODY	ENGINE	TRANSMISSION
P = Limited	J = LHD (4WD)	74=4 Dr. (101.4 WB)	ENC, EN0 = 2.5L 4 Cyl Turbo	DDD = 5 Speed Manual
S = Limited	U = RHD (4WD)	72=2 Dr. (101.4 WB)	ERH, ER0 = 4.0L Power Tech	DGS = 4 Speed Auto AISIN
H = Sport	T = LHD (2WD)			DG0 = All Automatic Trans
L = SE	B = RHD (2WD)			DBB = All Manual Trans

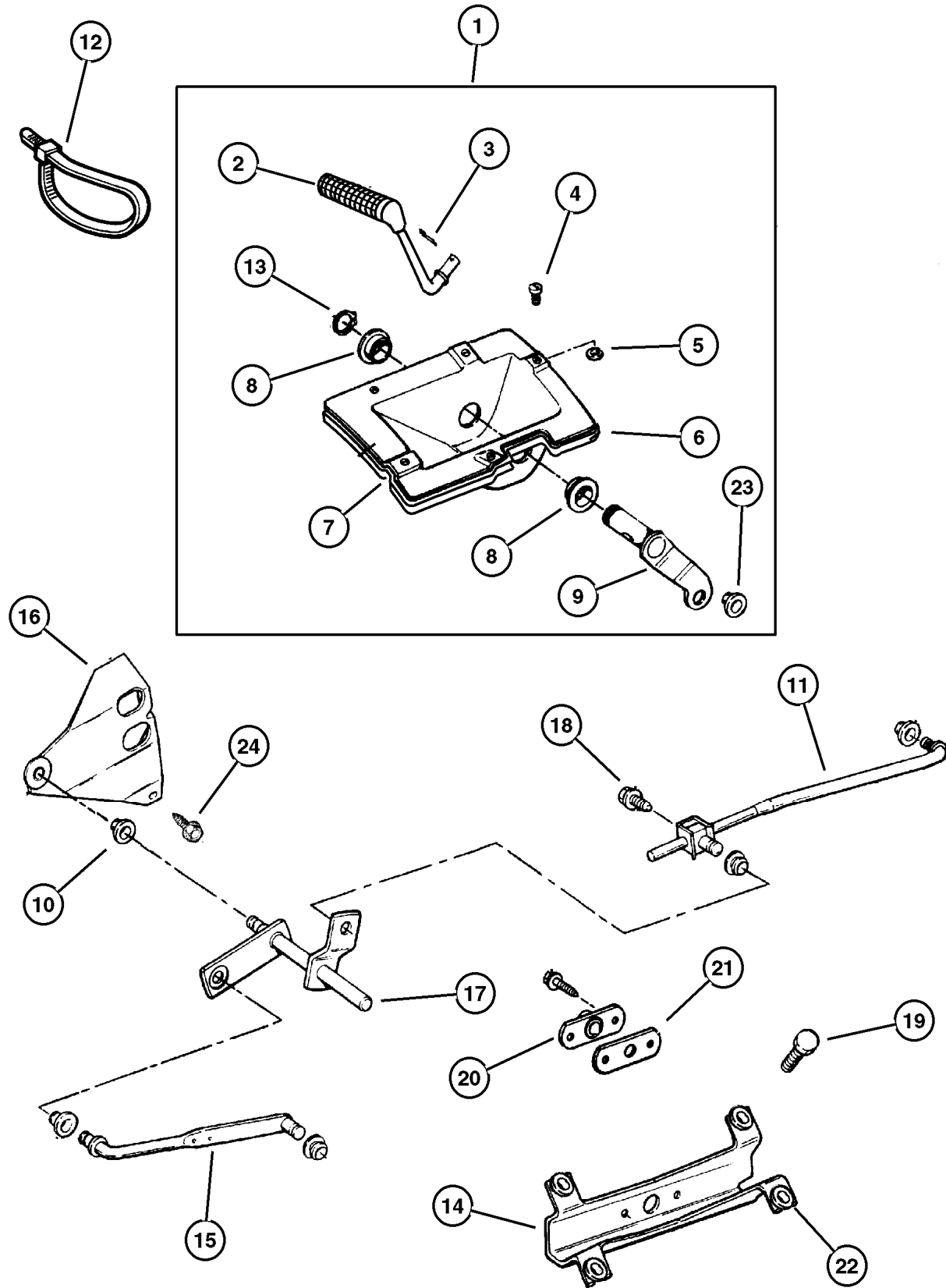
AR = Use as required - = Non illustrated part # = New this model year

May 2, 2002



**Gearshift Controls Command Trac (DHN)
Figure 231-1220**

ITEM	PART NUMBER	QTY	LINE	SERIES	ENGINE	TRANS	DESCRIPTION
14	52104 017AB	1	J, U		ER0	DG0	BRACKET, Torque Shaft
15	5300 4942	1	J, U		ER0	DG0	ROD, Gear Shift Control, Transfer Case
16	5207 8605	1	J, U		ENC	DBB	BRACKET, Torque Shaft
17	5207 8541	1	J, U		ENC	DBB	TORQUE SHAFT, Transfer Case
	5300 5552	1	J, U		ER0	DBB	
18	J400 6036	1	J, U				BOLT, Hex Head, .312-18x.50
19	6503 811	4	J, U				BOLT, Hex Head, M6x1.00x20.00
20	5207 8134	1	J, U		ER0	DG0	BEARING, Transfer Case Shift
21	5300 5154	1	J, U		ER0	DG0	GASKET, Gearshift Control Rod
22	5210 4014	4	J, U		ER0	DG0	GROMMET
		4	J, U		ENC,	DDD	
					ER0		
23	3575 333	1	U				GROMMET, Control Rod Front
		1	J				
24	1150 4336	1	J, U		ER0	DG0	BOLT, Hex Head, M8x1.25x16



JEEP CHEROKEE (XJ)				
SERIES	LINE	BODY	ENGINE	TRANSMISSION
P = Limited	J = LHD (4WD)	74=4 Dr. (101.4 WB)	ENC, EN0 = 2.5L 4 Cyl Turbo	DDD = 5 Speed Manual
S = Limited	U = RHD (4WD)	72=2 Dr. (101.4 WB)	ERH, ER0 = 4.0L Power Tech	DGS = 4 Speed Auto AISIN
H = Sport	T = LHD (2WD)			DG0 = All Automatic Trans
L = SE	B = RHD (2WD)			DBB = All Manual Trans

AR = Use as required - = Non illustrated part # = New this model year

May 2, 2002

Group – 242

Transfer Case Model 242

GROUP 242 - Transfer Case Model 242

Illustration Title

Group-Fig. No.

Transfer Case Assembly

Transfer Case Select Trac (DHP) Fig. 242-110

Case and Related Parts

Case & Related Parts Select Trac (DHP) Fig. 242-210

Gear Train

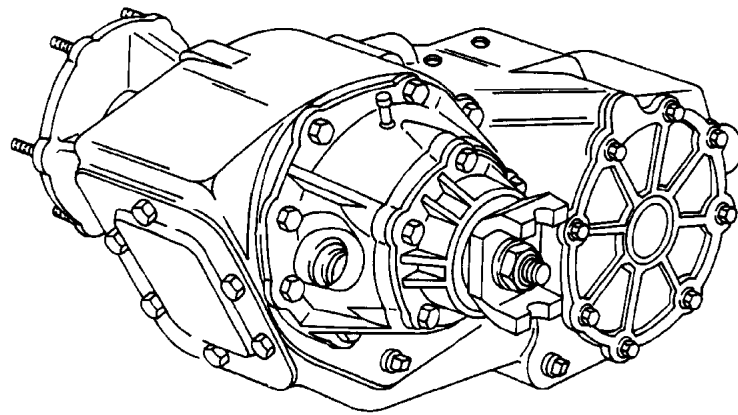
Gear Train Select Trac (DHP) Fig. 242-410

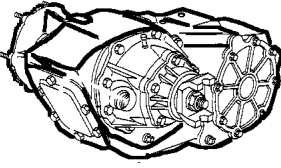
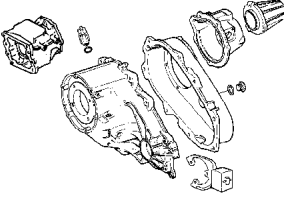
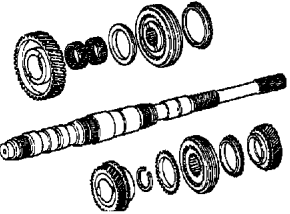
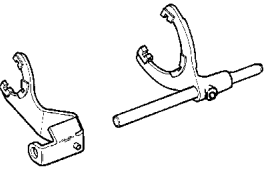
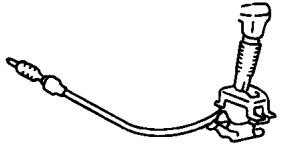
Fork and Rails

Fork and Rails Select Trac (DHP) Fig. 242-910

Gearshift Controls

Gearshift Controls Select Trac (DHP) Fig. 242-1210



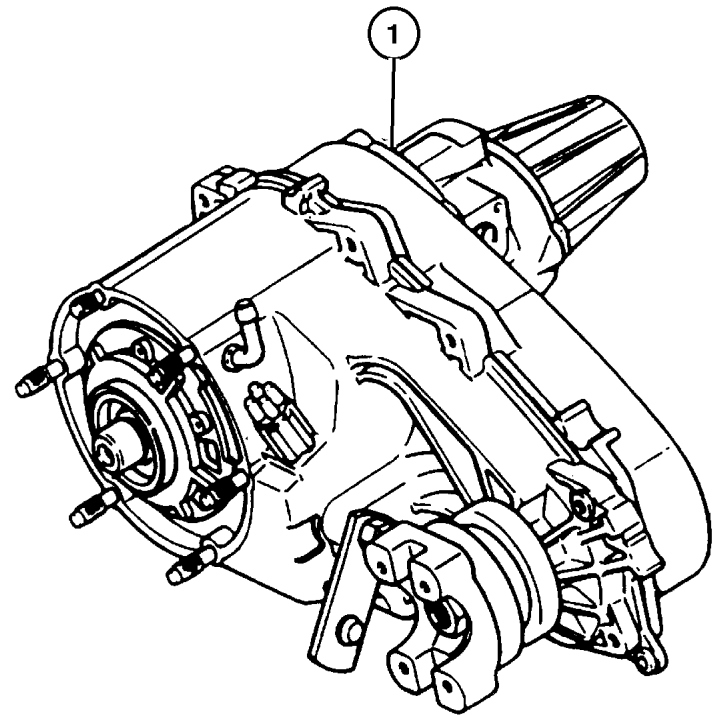
<p>242-100 Transfer Case Assembly</p> 	<p>242-200 Case and Related Parts</p> 	<p>242-400 Gear Train</p> 	<p>242-900 Fork and Rails</p> 
<p>242-1200 Gearshift Controls</p> 			

**Transfer Case Select Trac (DHP)
Figure 242-110**

ITEM	PART NUMBER	QTY	LINE	SERIES	ENGINE	TRANS	DESCRIPTION
------	-------------	-----	------	--------	--------	-------	-------------

Notes: Shocks----Check VIN Number for The Type of 'Z' Code Springs are on The Truck
 ER0 = All 4.0L 6 Cylinder Engines Shocks----Check VIN Number for The Type of 'Z' Code Springs are on The Truck
 DG0 = All Automatic Transmissions Shocks----Check VIN Number for The Type of 'Z' Code Springs are on The Truck

1							TRANSFER CASE, NP242
	52098 899AD	1	J, U		ER0	DG0	Without Police
	52111 083AD	1	J, U		ER0	DG0	With Police



JEEP CHEROKEE (XJ)				
SERIES	LINE	BODY	ENGINE	TRANSMISSION
P = Limited	J = LHD (4WD)	74=4 Dr. (101.4 WB)	ENC, EN0 = 2.5L 4 Cyl Turbo	DDD = 5 Speed Manual
S = Limited	U = RHD (4WD)	72=2 Dr. (101.4 WB)	ERH, ER0 = 4.0L Power Tech	DGS = 4 Speed Auto AISIN
H = Sport	T = LHD (2WD)			DG0 = All Automatic Trans
L = SE	B = RHD (2WD)			DBB = All Manual Trans

AR = Use as required - = Non illustrated part # = New this model year

May 2, 2002

**Case & Related Parts Select Trac (DHP)
Figure 242-210**

ITEM	PART NUMBER	QTY	LINE	SERIES	ENGINE	TRANS	DESCRIPTION
------	-------------	-----	------	--------	--------	-------	-------------

Notes: Shocks----Check VIN Number for The Type of 'Z' Code Springs are on The Truck
 EN0 = All 4/5 Turbo Diesel Engines Shocks----Check VIN Number for The Type of 'Z' Code Springs are on The Truck
 EP0 = All 2.5L 4 Cyl Gas Engines Shocks----Check VIN Number for The Type of 'Z' Code Springs are on The Truck
 ER0 = All 4.0L 6 Cylinder Engines Shocks----Check VIN Number for The Type of 'Z' Code Springs are on The Truck
 DG0 = All Automatic Transmissions Shocks----Check VIN Number for The Type of 'Z' Code Springs are on The Truck

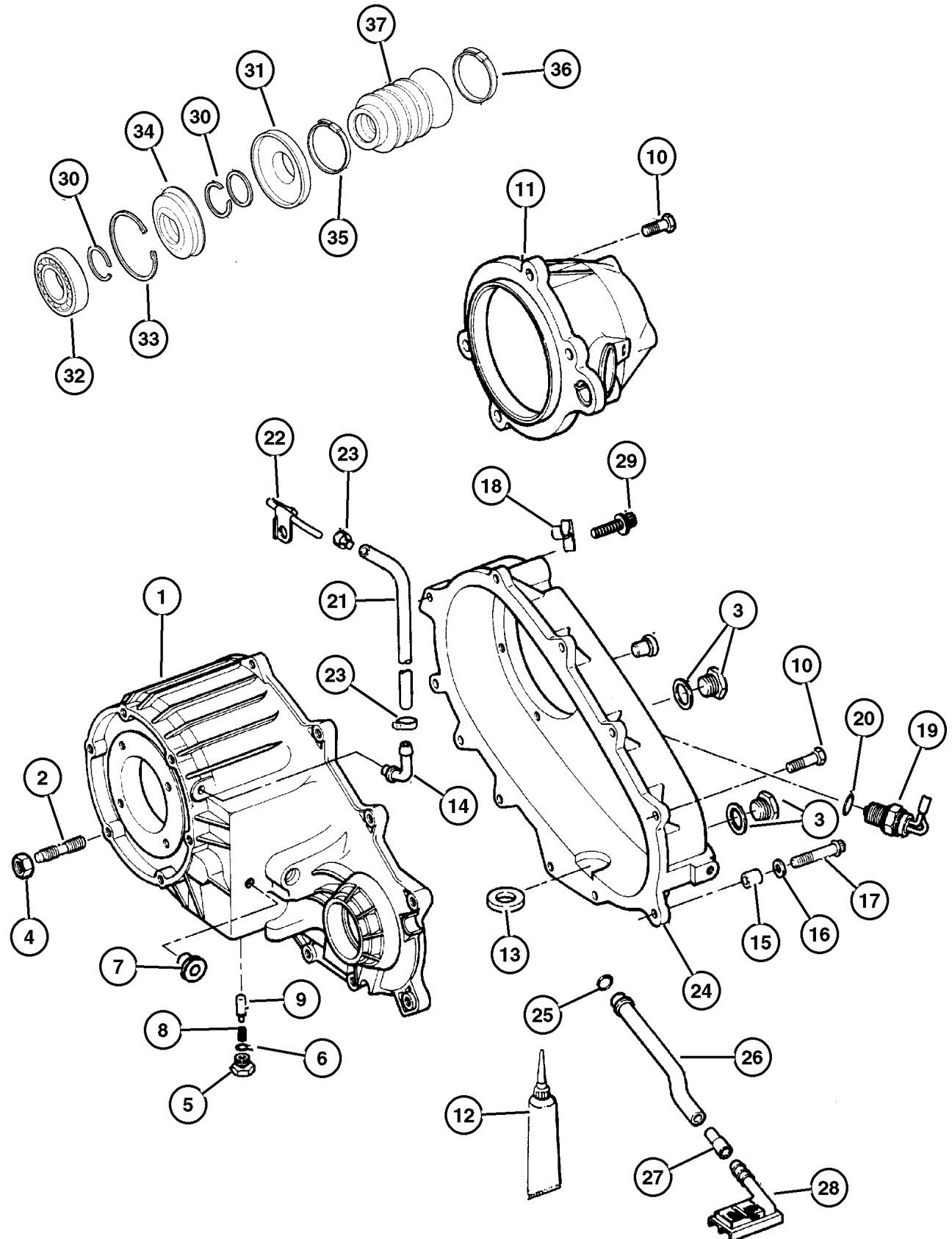
1							CASE, Transfer Front
	4883 336	1	J, U		ER0	DG0	With Police
		1	J, U		ER0	DG0	Without Police
2							STUD
	4505 365	6	J, U		ER0	DG0	Without Police
		6	J, U		ER0	DG0	With Police
3							PLUG, Oil Fill
	4856 641	2	J, U		ER0	DG0	Without Police
4	J400 6681	6	J, U		EN0, ER0		NUT AND CONED WASHER, Hex, .375-24
5							SCREW
	4886 473AA	1	J, U		ER0	DG0	Without Police
	5300 8216	1	J, U		ER0	DG0	With Police
6							SEAL, Vacuum Switch
	4338 956	2	J, U		ER0	DG0	Without Police
		2	J, U		ER0	DG0	With Police
7							PLUG, Transmission Case
	0015 105	1	J, U		ER0	DG0	Without Police
		1	J, U		ER0	DG0	With Police
8							SPRING, Shift Detent
	4638 497	1	J, U		ER0	DG0	Without Police
		1	J, U		ER0	DG0	With Police
9							PLUNGER
	5300 8217	1	J, U		ER0	DG0	With Police
		1	J, U		ER0	DG0	Without Police
10							BOLT, Transfer Case
	4210 617	14	J, U		ER0	DG0	Without Police
		14	J, U		ER0	DG0	With Police
11							RETAINER, Transfer Case Rear
	4856 391	1	J, U		ER0	DG0	With Police
		1	J, U		ER0	DG0	Without Police
12	5010 884AA	1	J, U		EN0	DD0	SEALANT, RTV
13							MAGNET, Transmission
	3681 601	1	J, U		ER0	DG0	Without Police
		1	J, U		ER0	DG0	With Police
14							VENT, Transfer Case

JEEP CHEROKEE (XJ)

SERIES	LINE	BODY	ENGINE	TRANSMISSION
P = Limited	J = LHD (4WD)	74=4 Dr. (101.4 WB)	ENC, EN0 = 2.5L 4 Cyl Turbo	DDD = 5 Speed Manual
S = Limited	U = RHD (4WD)	72=2 Dr. (101.4 WB)	ERH, ER0 = 4.0L Power Tech	DGS = 4 Speed Auto AISIN
H = Sport	T = LHD (2WD)			DG0 = All Automatic Trans
L = SE	B = RHD (2WD)			DBB = All Manual Trans

AR = Use as required - = Non illustrated part # = New this model year

May 2, 2002



**Case & Related Parts Select Trac (DHP)
Figure 242-210**

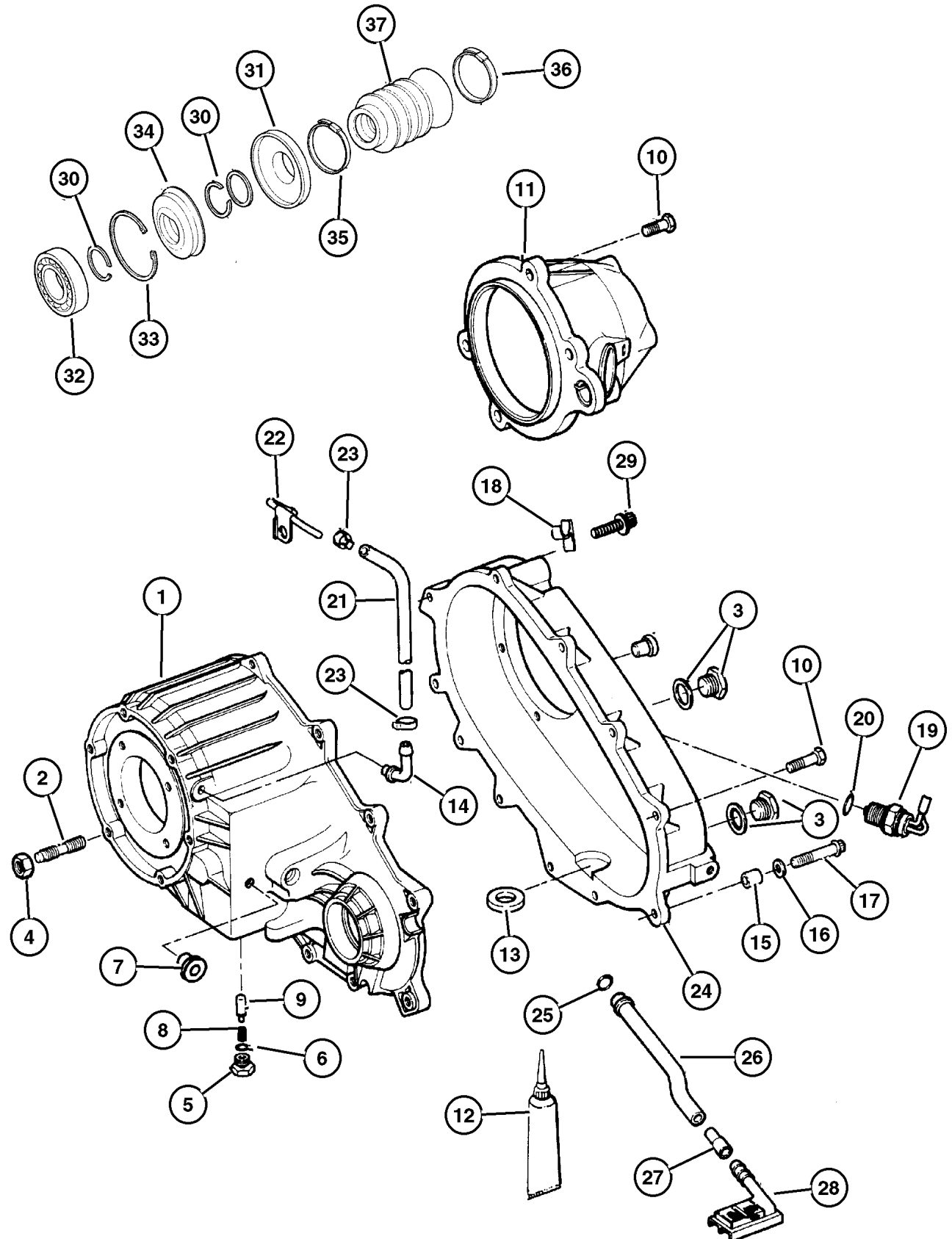
ITEM	PART NUMBER	QTY	LINE	SERIES	ENGINE	TRANS	DESCRIPTION
	4796 910	1	J, U		ER0	DG0	Without Police
		1	J, U		ER0	DG0	With Police
15	4116 310	2	J, U		ER0	DG0	DOWEL, Transfer Case
		2	J, U		ER0	DG0	Without Police
		2	J, U		ER0	DG0	With Police
16	8350 3512	1	J, U		ER0	DG0	WASHER, Flat
		1	J, U		ER0	DG0	Without Police
17							BOLT, Hex Flange Head
	4210 614	2	J, U		ER0	DG0	Without Police
		2	J, U		ER0	DG0	With Police
18	5211 8181	1	J, U		ER0	DG0	CLIP
		1	J, U		ER0	DG0	Without Police
19	5600 6755	1	J, U		ER0	DG0	SWITCH, Transfer Case Mode
		1	J, U		ER0	DG0	Without Police
		1	J, U		ER0	DG0	With Police
20	4338 956	2	J, U		ER0	DG0	SEAL, Vacuum Switch
		2	J, U		ER0	DG0	Without Police
		2	J, U		ER0	DG0	With Police
21							HOSE, Fuel, .31 I.D. 50 Foot Roll
	4443 176	1	J, U		ENO, EPO ER0		
		1	J, U				VENT, Transfer Case
22	5300 7494	1	J, U				CLAMP, Oil Cooler Line
23	6502 081	2	J, U				CASE, Transfer Case Rear
24	4874 298	1	J, U		ER0	DG0	Without Police
		1	J, U		ER0	DG0	With Police
25	4338 942	1	J, U		ER0	DG0	SEAL, Oil
		1	J, U		ER0	DG0	Without Police
		1	J, U		ER0	DG0	With Police
26							TUBE, Oil Pickup
	8350 3523	1	J, U		ER0	DG0	Without Police
		1	J, U		ER0	DG0	With Police
27	4338 944	1	J, U		ER0	DG0	CONNECTOR, Oil Tube Pickup
		1	J, U		ER0	DG0	Without Police
28	4338 943	1	J, U		ER0	DG0	FILTER, Transfer Case Oil
		1	J, U		ER0	DG0	Without Police
		1	J, U		ER0	DG0	With Police
29							BOLT, Twelve Point Head, M10x1.5x48

JEEP CHEROKEE (XJ)

SERIES	LINE	BODY	ENGINE	TRANSMISSION
P = Limited	J = LHD (4WD)	74=4 Dr. (101.4 WB)	ENC, EN0 = 2.5L 4 Cyl Turbo	DDD = 5 Speed Manual
S = Limited	U = RHD (4WD)	72=2 Dr. (101.4 WB)	ERH, ER0 = 4.0L Power Tech	DGS = 4 Speed Auto AISIN
H = Sport	T = LHD (2WD)			DG0 = All Automatic Trans
L = SE	B = RHD (2WD)			DBB = All Manual Trans

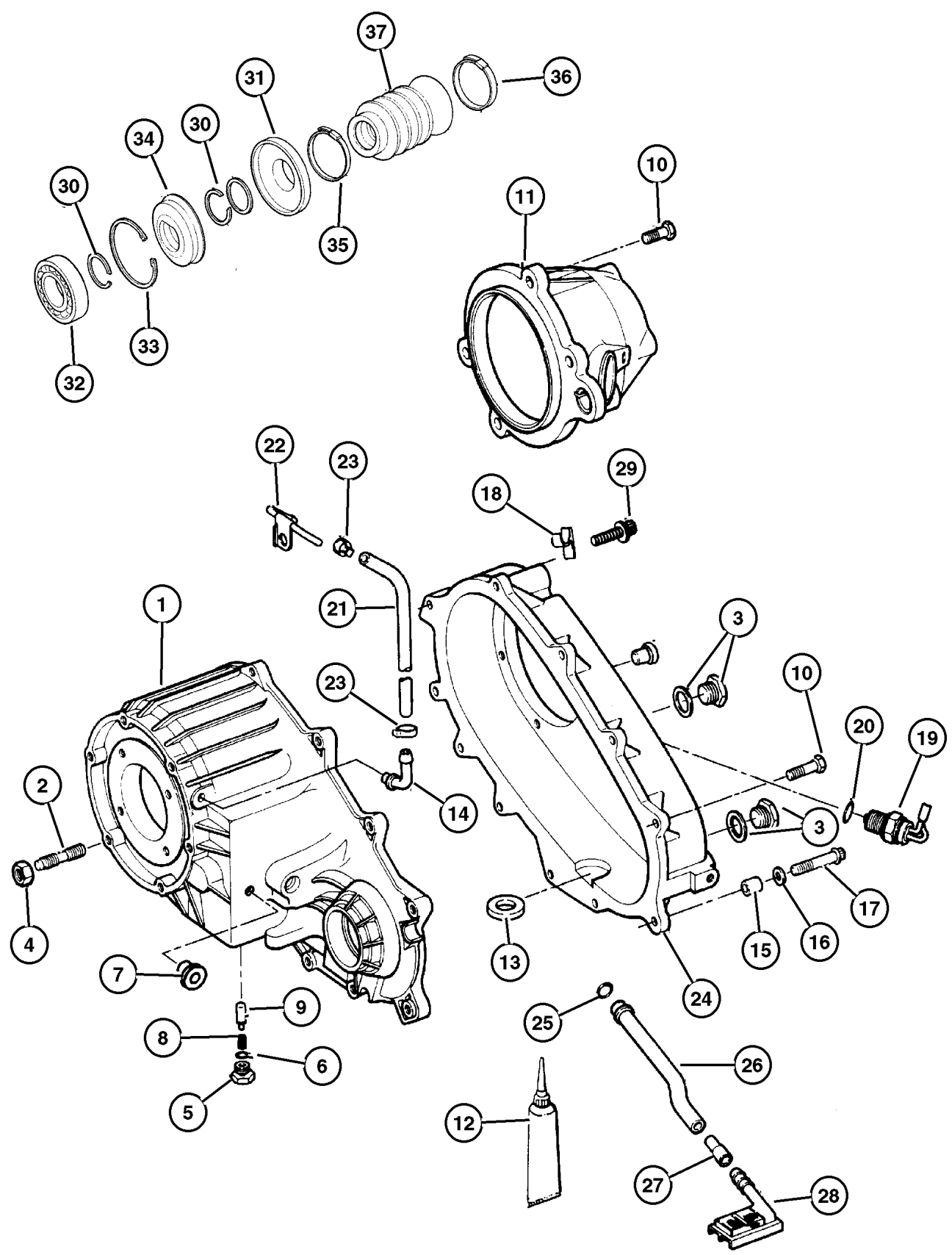
AR = Use as required - = Non illustrated part # = New this model year

May 2, 2002



Case & Related Parts Select Trac (DHP)
Figure 242-210

ITEM	PART NUMBER	QTY	LINE	SERIES	ENGINE	TRANS	DESCRIPTION
	J813 0979	1	J, U		ER0	DG0	Without Police
		1	J, U		ER0	DG0	With Police
30	J813 4488	1	J, U		ER0	DG0	SNAP RING
		1	J, U		ER0	DG0	With Police
		1	J, U		ER0	DG0	Without Police
31	5016 615AA	1	J, U		ER0	DG0	SLINGER, Oil
		1	J, U		ER0	DG0	With Police
		1	J, U		ER0	DG0	Without Police
32							BEARING
	4338 892	1	J, U		ER0	DG0	With Police
		1	J, U		ER0	DG0	Without Police
33							SNAP RING
	4798 116	1	J, U		ER0	DG0	Without Police
		1	J, U		ER0	DG0	With Police
34							SEAL, Output Shaft
	4798 117	1	J, U		ER0	DG0	Without Police
		1	J, U		ER0	DG0	With Police
35							CLAMP, Boot
	4798 121	1	J, U		ER0	DG0	Without Police
		1	J, U		ER0	DG0	With Police
36							CLAMP, Boot
	4798 122	1	J, U		ER0	DG0	Without Police
		1	J, U		ER0	DG0	With Police
37							BOOT, Driveshaft
	4798 123	1	J, U		ER0	DG0	Without Police
		1	J, U		ER0	DG0	With Police

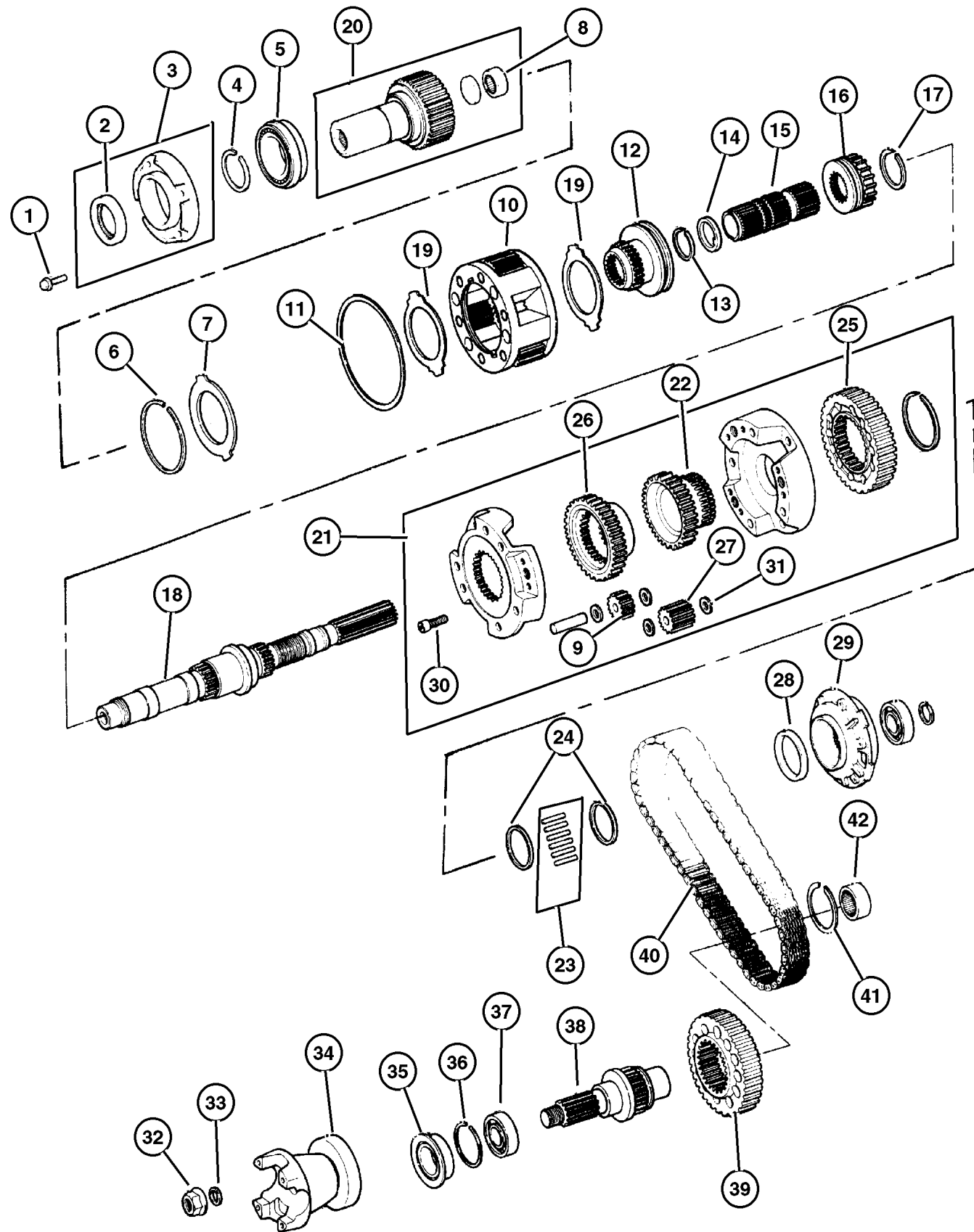


JEEP CHEROKEE (XJ)
 SERIES LINE BODY ENGINE TRANSMISSION
 P = Limited J = LHD (4WD) 74=4 Dr. (101.4 WB) ENC, EN0 = 2.5L 4 Cyl Turbo DDD = 5 Speed Manual
 S = Limited U = RHD (4WD) 72=2 Dr. (101.4 WB) ERH, ER0 = 4.0L Power Tech DGS = 4 Speed Auto AISIN
 H = Sport T = LHD (2WD) DBB = All Manual Trans
 L = SE B = RHD (2WD)

AR = Use as required - = Non illustrated part # = New this model year

May 2, 2002

**Gear Train Select Trac (DHP)
Figure 242-410**



ITEM	PART NUMBER	QTY	LINE	SERIES	ENGINE	TRANS	DESCRIPTION
Notes: Shocks----Check VIN Number for The Type of 'Z' Code Springs are on The Truck							
ER0 = All 4.0L 6 Cylinder Engines Shocks----Check VIN Number for The Type of 'Z' Code Springs are on The Truck							
DG0 = All Automatic Transmissions Shocks----Check VIN Number for The Type of 'Z' Code Springs are on The Truck							
1	6500 318	4	J, U		ER0	DG0	BOLT Without Police
2	4167 929	4	J, U		ER0	DG0	With Police
		1	J, U		ER0	DG0	SEAL, Input Gear Without Police
3	4338 973	1	J, U		ER0	DG0	With Police
		1	J, U		ER0	DG0	RETAINER Without Police
4	3821 558	1	J, U		ER0	DG0	With Police
		1	J, U		ER0	DG0	SNAP RING Without Police
5	4746 155	1	J, U		ER0	DG0	With Police
		1	J, U		ER0	DG0	BEARING, Input Gear Without Police
6	4338 910	1	J, U		ER0	DG0	With Police
		1	J, U		ER0	DG0	SNAP RING Without Police
7	4338 909	1	J, U		ER0	DG0	With Police
		1	J, U		ER0	DG0	RING Without Police
8	8350 3507	1	J, U		ER0	DG0	With Police
		1	J, U		ER0	DG0	BEARING, Input Shaft Without Police
9	8350 4170	3	J, U		ER0	DG0	With Police
		3	J, U		ER0	DG0	GEAR, Planetary Without Police
10	4796 903	1	J, U		ER0	DG0	With Police
		1	J, U		ER0	DG0	PLANETARY, Transfer Case Without Police
11	4219 065	1	J, U		ER0	DG0	With Police
		1	J, U		ER0	DG0	SNAP RING, Annulus Gear Without Police
12	4798 279	1	J, U		ER0	DG0	With Police
		1	J, U		ER0	DG0	SLEEVE, Shift Range Without Police
13	8350 3540	1	J, U		ER0	DG0	With Police
		1	J, U		ER0	DG0	SNAP RING Without Police
14							WASHER, Intermediate Sleeve

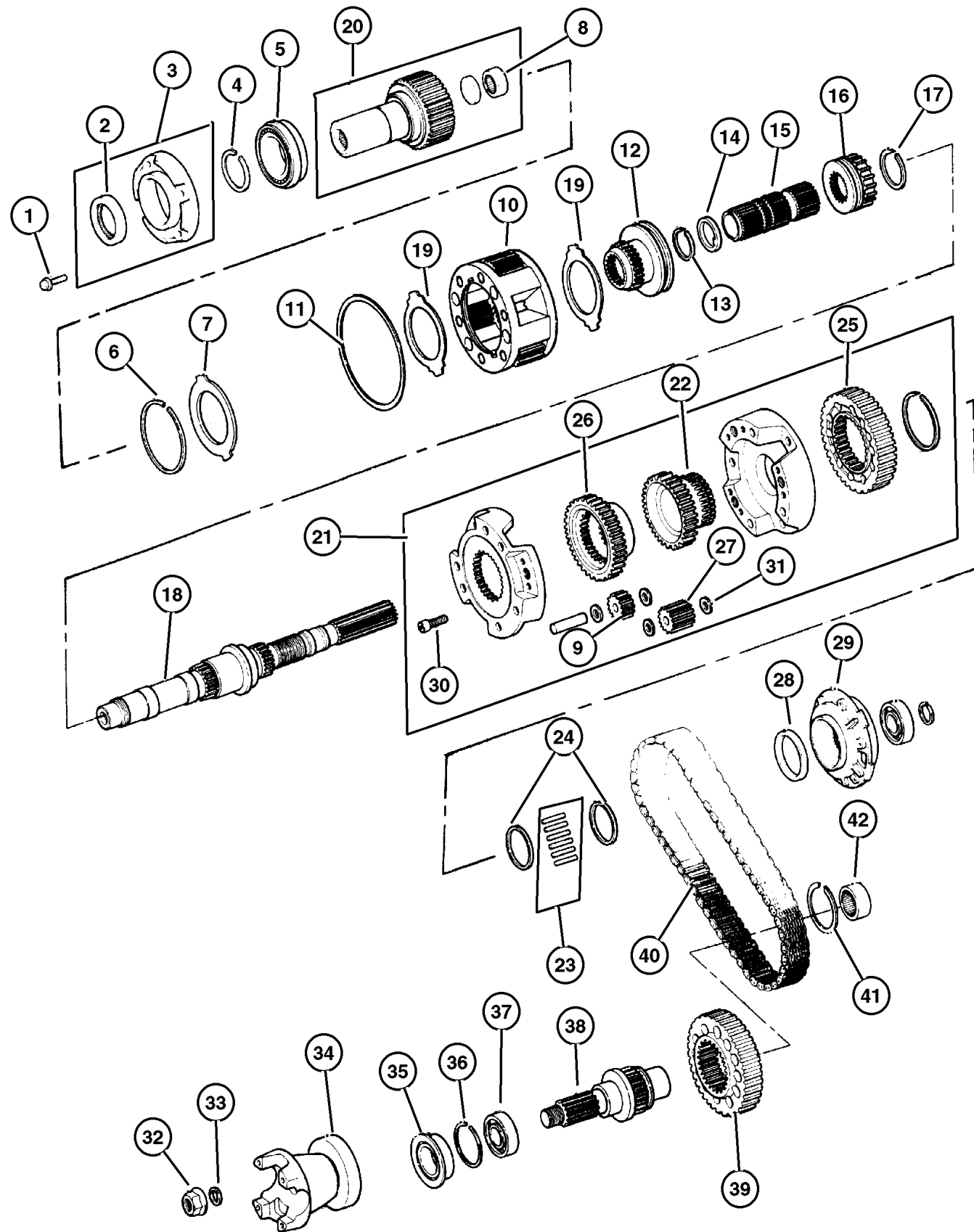
JEEP CHEROKEE (XJ)

SERIES	LINE	BODY	ENGINE	TRANSMISSION
P = Limited	J = LHD (4WD)	74=4 Dr. (101.4 WB)	ENC, EN0 = 2.5L 4 Cyl Turbo	DDD = 5 Speed Manual
S = Limited	U = RHD (4WD)	72=2 Dr. (101.4 WB)	ERH, ER0 = 4.0L Power Tech	DGS = 4 Speed Auto AISIN
H = Sport	T = LHD (2WD)			DG0 = All Automatic Trans
L = SE	B = RHD (2WD)			DBB = All Manual Trans

AR = Use as required - = Non illustrated part # = New this model year

May 2, 2002

**Gear Train Select Trac (DHP)
Figure 242-410**



ITEM	PART NUMBER	QTY	LINE	SERIES	ENGINE	TRANS	DESCRIPTION
	8350 3539	1	J, U		ER0	DG0	Without Police
		1	J, U		ER0	DG0	With Police
15	4798 277	1	J, U		ER0	DG0	SHAFT, Intermediate
		1	J, U		ER0	DG0	Without Police
		1	J, U		ER0	DG0	With Police
16	8350 3542	1	J, U		ER0	DG0	SLEEVE, Mode Synchronizer
		1	J, U		ER0	DG0	Without Police
		1	J, U		ER0	DG0	With Police
17							SNAP RING
	8350 3537	1	J, U		ER0	DG0	Without Police
		1	J, U		ER0	DG0	With Police
18	5016 620AA	1	J, U		ER0	DG0	MAINSHAFT, Transfer Case
		1	J, U		ER0	DG0	Without Police
		1	J, U		ER0	DG0	With Police
19	4338 908	2	J, U		ER0	DG0	THRUST WASHER, Planetary Carrier
		2	J, U		ER0	DG0	Without Police
		2	J, U		ER0	DG0	With Police
20							GEAR, Input
	4798 126	1	J, U		ER0	DG0	Without Police
		1	J, U		ER0	DG0	With Police
21							CARRIER, Differential
	8350 3529	1	J, U		ER0	DG0	Without Police
		1	J, U		ER0	DG0	With Police
22							SPROCKET, Transfer Case
	8350 3518	1	J, U		ER0	DG0	Without Police
		1	J, U		ER0	DG0	With Police
23							BEARING PACKAGE, Transfer Case
	8350 3543	1	J, U		ER0	DG0	Without Police
		1	J, U		ER0	DG0	With Police
24							SPACER, Sprocket
	8350 3533	2	J, U		ER0	DG0	Without Police
		2	J, U		ER0	DG0	With Police
25							SPROCKET, Transfer Case
	8350 3531	1	J, U		ER0	DG0	Without Police
		1	J, U		ER0	DG0	With Police
26							SPROCKET, Differential
	8350 3536	1	J, U		ER0	DG0	Without Police
		1	J, U		ER0	DG0	With Police
27							GEAR, Planetary
	8350 4169	3	J, U		ER0	DG0	Without Police
		3	J, U		ER0	DG0	With Police
28							SEAL, Main Shaft

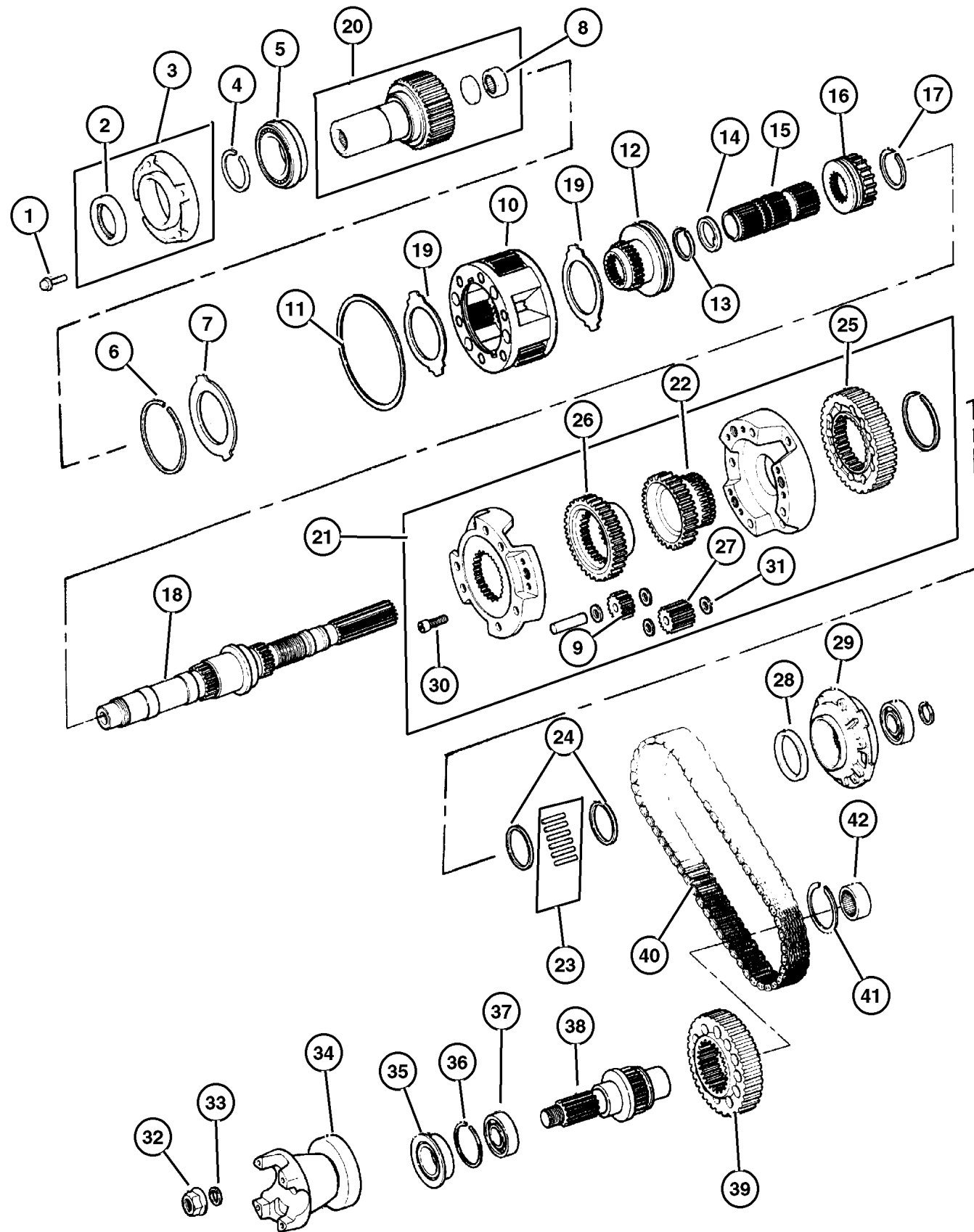
JEEP CHEROKEE (XJ)

SERIES	LINE	BODY	ENGINE	TRANSMISSION
P = Limited	J = LHD (4WD)	74=4 Dr. (101.4 WB)	ENC, EN0 = 2.5L 4 Cyl Turbo	DDD = 5 Speed Manual
S = Limited	U = RHD (4WD)	72=2 Dr. (101.4 WB)	ERH, ER0 = 4.0L Power Tech	DGS = 4 Speed Auto AISIN
H = Sport	T = LHD (2WD)			DG0 = All Automatic Trans
L = SE	B = RHD (2WD)			DBB = All Manual Trans

AR = Use as required - = Non illustrated part # = New this model year

May 2, 2002

**Gear Train Select Trac (DHP)
Figure 242-410**



ITEM	PART NUMBER	QTY	LINE	SERIES	ENGINE	TRANS	DESCRIPTION
	4210 603	1	J, U		ER0	DG0	Without Police
		1	J, U		ER0	DG0	With Police
29	4338 936	1	J, U		ER0	DG0	PUMP, Transfer Case Oil
		1	J, U		ER0	DG0	Without Police
		1	J, U		ER0	DG0	With Police
30							SCREW
	3820 898	6	J, U		ER0	DG0	Without Police
		6	J, U		ER0	DG0	With Police
31							WASHER, Differential Gear
	8350 4168	12	J, U		ER0	DG0	Without Police
		12	J, U		ER0	DG0	With Police
32							NUT, Transfer Case Yoke
	4167 924	1	J, U		ER0	DG0	Without Police
		1	J, U		ER0	DG0	With Police
33							WASHER, Transfer Case Yoke
	4210 973	1	J, U		ER0	DG0	Without Police
		1	J, U		ER0	DG0	With Police
34							YOKE, Transfer Case
	4798 138	1	J, U		ER0	DG0	Without Police
		1	J, U		ER0	DG0	With Police
35							SEAL, Output Shaft
	4798 125	1	J, U		ER0	DG0	Without Police
		1	J, U		ER0	DG0	With Police
36							SNAP RING
	0893 31A	1	J, U		ER0	DG0	Without Police
		1	J, U		ER0	DG0	With Police
37							BEARING, Output Shaft
	4269 189	1	J, U		ER0	DG0	Without Police
		1	J, U		ER0	DG0	With Police
38							OUTPUT SHAFT, Transfer Case
	8350 3517	1	J, U		ER0	DG0	Without Police
		1	J, U		ER0	DG0	With Police
39							SPROCKET, Transfer Case
	8350 3518	1	J, U		ER0	DG0	With Police
		1	J, U		ER0	DG0	Without Police
40							CHAIN, Transfer Case
	4638 890	1	J, U		ER0	DG0	With Police
	8350 4575	1	J, U		ER0	DG0	Without Police
41							SNAP RING, Bearing
	4167 991	1	J, U		ER0	DG0	Without Police
		1	J, U		ER0	DG0	With Police
42							BEARING, Output Shaft

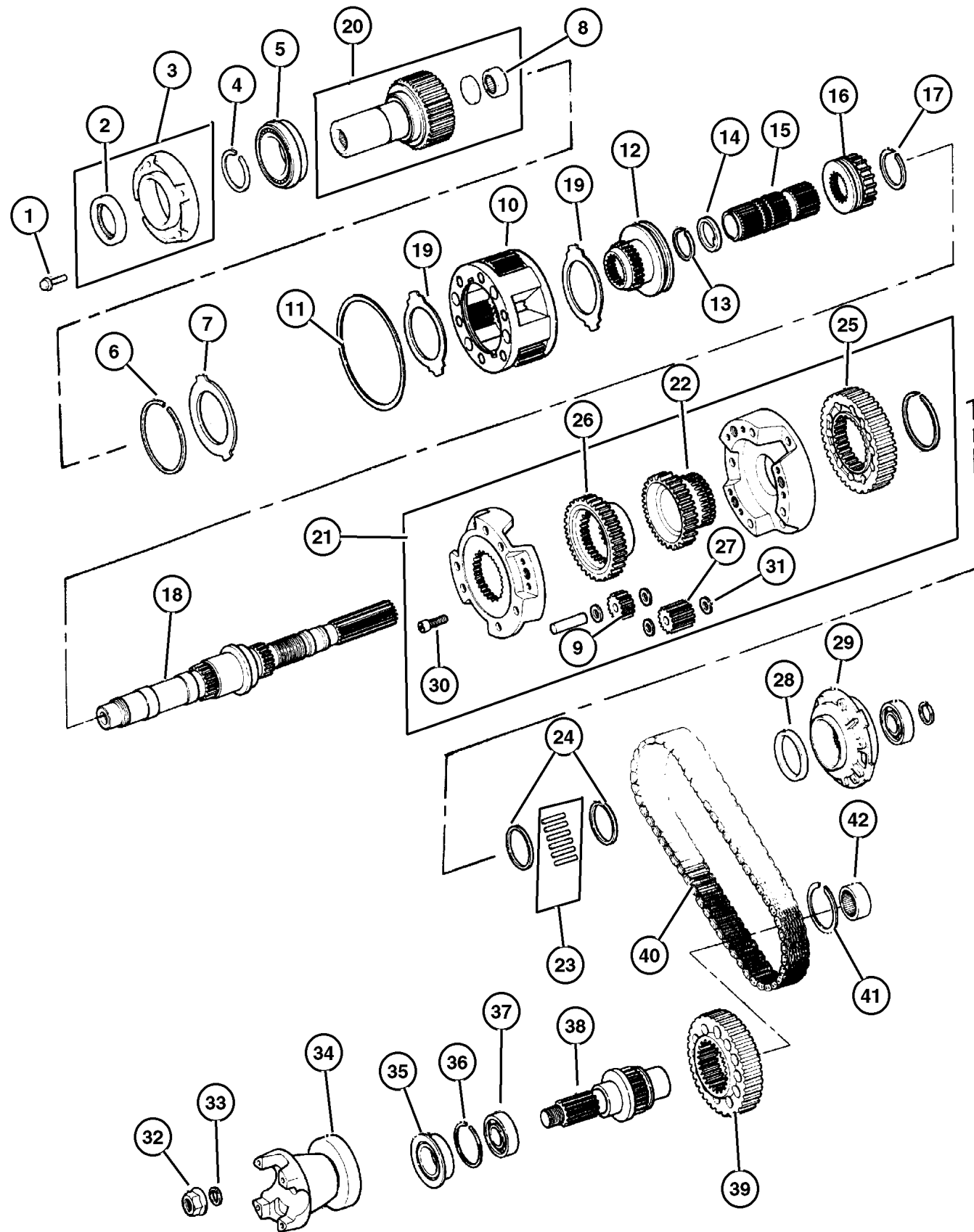
JEEP CHEROKEE (XJ)

SERIES	LINE	BODY	ENGINE	TRANSMISSION
P = Limited	J = LHD (4WD)	74=4 Dr. (101.4 WB)	ENC, EN0 = 2.5L 4 Cyl Turbo	DDD = 5 Speed Manual
S = Limited	U = RHD (4WD)	72=2 Dr. (101.4 WB)	ERH, ER0 = 4.0L Power Tech	DGS = 4 Speed Auto AISIN
H = Sport	T = LHD (2WD)			DG0 = All Automatic Trans
L = SE	B = RHD (2WD)			DBB = All Manual Trans

AR = Use as required - = Non illustrated part # = New this model year

May 2, 2002

**Gear Train Select Trac (DHP)
Figure 242-410**



ITEM	PART NUMBER	QTY	LINE	SERIES	ENGINE	TRANS	DESCRIPTION
	4269 189	1	J, U		ER0	DG0	Without Police
		1	J, U		ER0	DG0	With Police

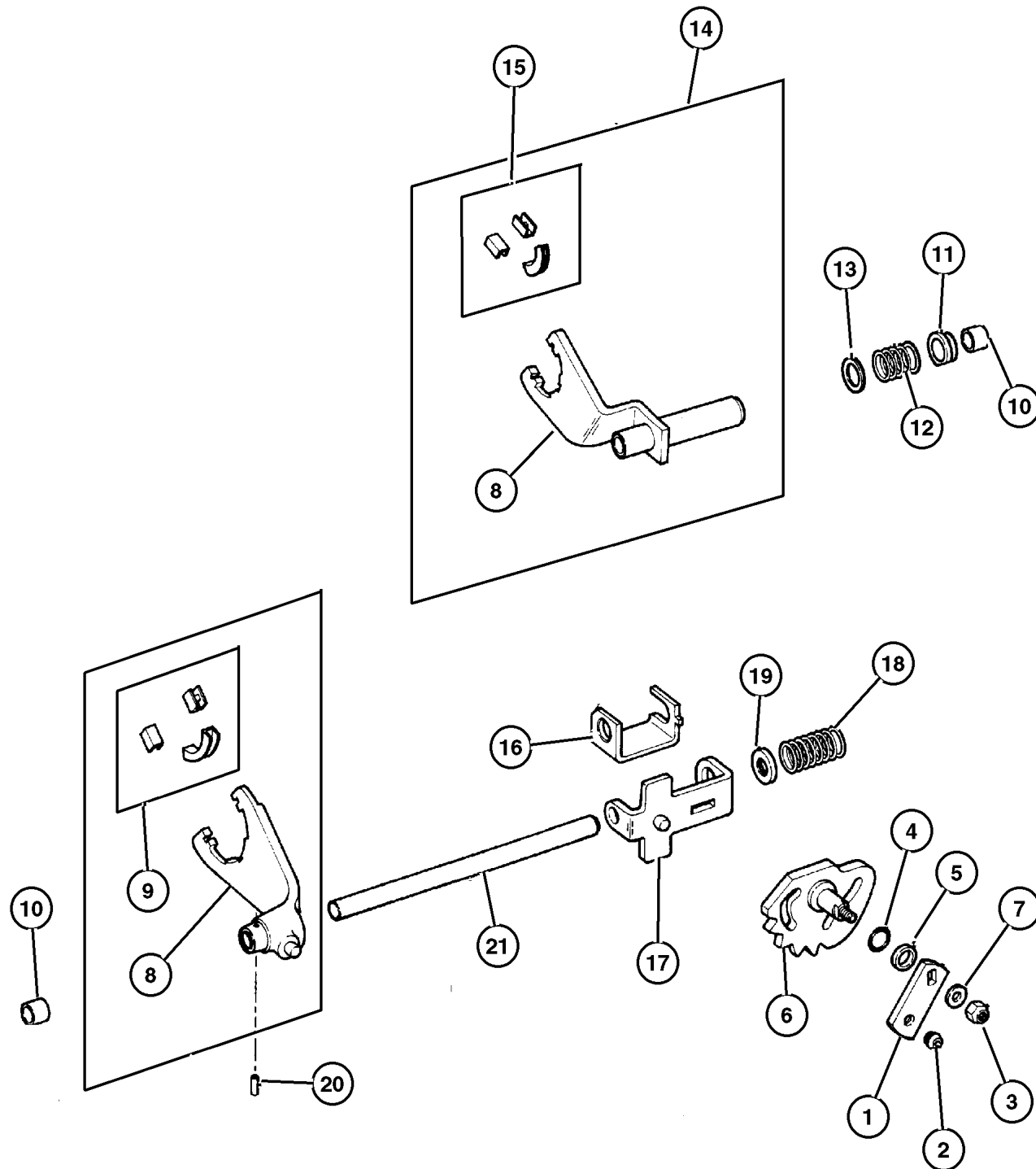
JEEP CHEROKEE (XJ)				
SERIES	LINE	BODY	ENGINE	TRANSMISSION
P = Limited	J = LHD (4WD)	74=4 Dr. (101.4 WB)	ENC, EN0 = 2.5L 4 Cyl Turbo	DDD = 5 Speed Manual
S = Limited	U = RHD (4WD)	72=2 Dr. (101.4 WB)	ERH, ER0 = 4.0L Power Tech	DGS = 4 Speed Auto AISIN
H = Sport	T = LHD (2WD)			DG0 = All Automatic Trans
L = SE	B = RHD (2WD)			DBB = All Manual Trans

AR = Use as required - = Non illustrated part # = New this model year

May 2, 2002

**Fork and Rails Select Trac (DHP)
Figure 242-910**

ITEM	PART NUMBER	QTY	LINE	SERIES	ENGINE	TRANS	DESCRIPTION
Notes: Shocks----Check VIN Number for The Type of 'Z' Code Springs are on The Truck							
ER0 = All 4.0L 6 Cylinder Engines Shocks----Check VIN Number for The Type of 'Z' Code Springs are on The Truck							
DDD = 5 Speed Heavy Duty Manual Transmissions Shocks----Check VIN Number for The Type of 'Z' Code Springs are on The Truck							
DG0 = All Automatic Transmissions Shocks----Check VIN Number for The Type of 'Z' Code Springs are on The Truck							
1							LEVER, Transfer Case
	5300 4227	1	J, U		ER0	DG0	With Police
		1	J, U		ER0	DG0	Without Police
2							BUSHING, Shift Lever
	5300 4810	1	J, U		ER0	DG0	With Police
		1	J, U		ER0	DG0	Without Police
3							NUT, Hex Flange Lock
	0152 345	1	J, U		ER0	DG0	With Police
		1	J, U		ER0	DG0	Without Police
4							SEAL, O-Ring
	4167 963	1	J, U		ER0	DG0	With Police
		1	J, U		ER0	DG0	Without Police
5							RETAINER, Rear Clutch
	4167 964	1	J, U		ER0	DG0	With Police
		1	J, U		ER0	DG0	Without Police
6							SECTOR, Transfer Case
	4638 949	1	J, U		ER0	DG0	With Police
		1	J, U		ER0	DG0	Without Police
7							WASHER
	2436 163	1	J, U		ER0	DDD	With Police
		1	J, U		ER0	DG0	Without Police
8							FORK, Range
	8350 3508	1	J, U		ER0	DG0	With Police
		1	J, U		ER0	DG0	Without Police
9							PAD, Shift Fork
	4167 970	1	J, U		ER0	DG0	With Police
		1	J, U		ER0	DG0	Without Police
10							BUSHING, Shift Fork
	J813 4291	2	J, U		ER0	DG0	With Police
		2	J, U		ER0	DG0	Without Police
11							BUSHING, Shift Rail
	8350 3514	1	J, U		ER0	DG0	With Police
		1	J, U		ER0	DG0	Without Police
12							SPRING, Mode Shift Fork
	8350 3513	1	J, U		ER0	DG0	With Police
		1	J, U		ER0	DG0	Without Police
13							WASHER, Flat



JEEP CHEROKEE (XJ)

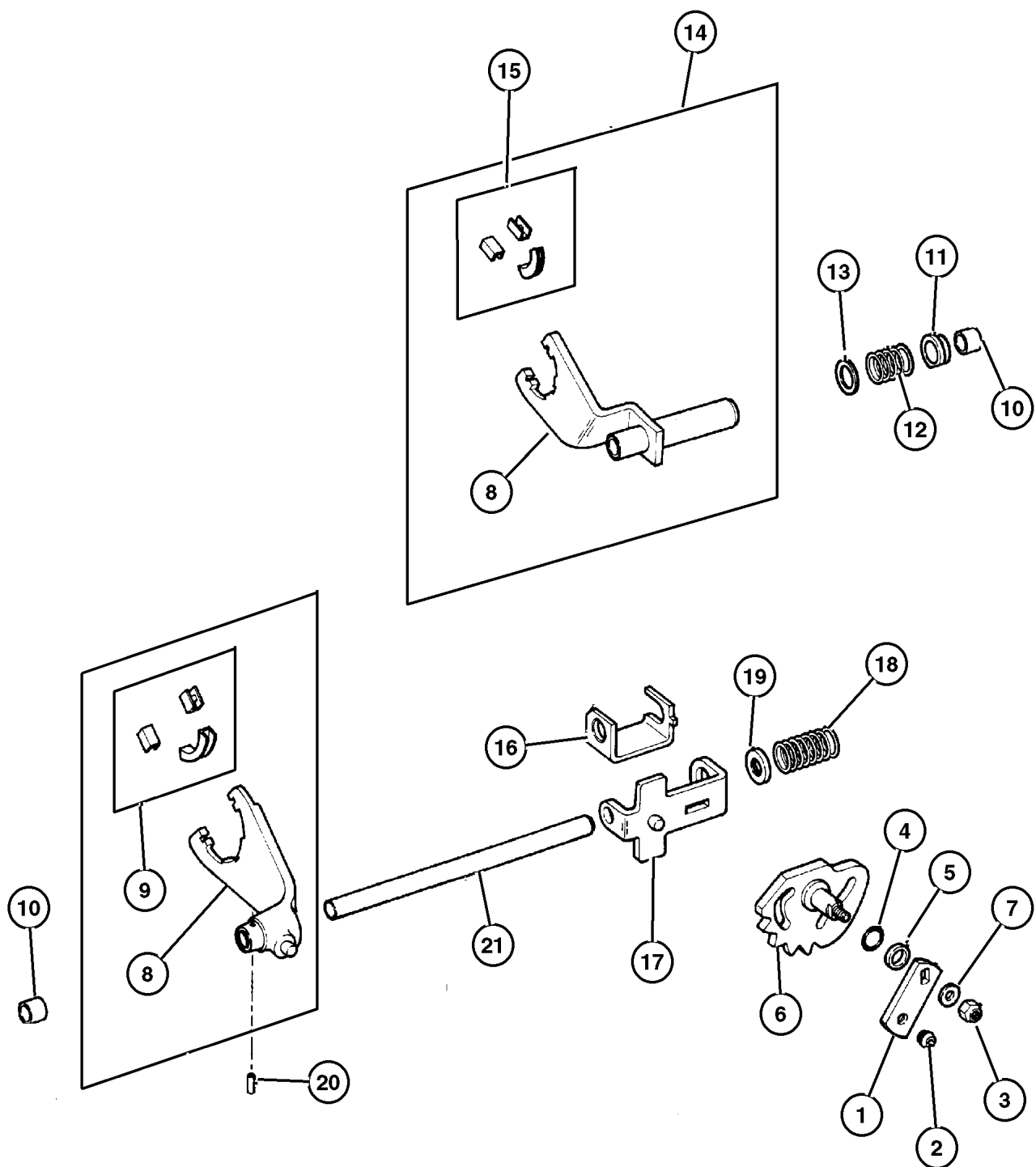
SERIES	LINE	BODY	ENGINE	TRANSMISSION
P = Limited	J = LHD (4WD)	74=4 Dr. (101.4 WB)	ENC, EN0 = 2.5L 4 Cyl Turbo	DDD = 5 Speed Manual
S = Limited	U = RHD (4WD)	72=2 Dr. (101.4 WB)	ERH, ER0 = 4.0L Power Tech	DGS = 4 Speed Auto AISIN
H = Sport	T = LHD (2WD)			DG0 = All Automatic Trans
L = SE	B = RHD (2WD)			DBB = All Manual Trans

AR = Use as required - = Non illustrated part # = New this model year

May 2, 2002

Fork and Rails Select Trac (DHP)
Figure 242-910

ITEM	PART NUMBER	QTY	LINE	SERIES	ENGINE	TRANS	DESCRIPTION
	8350 3512	1	J, U		ER0	DG0	With Police
		1	J, U		ER0	DG0	Without Police
14	4638 950	1	J, U		ER0	DG0	FORK, Transfer Case Mode Shift
		1	J, U		ER0	DG0	With Police
		1	J, U		ER0	DG0	Without Police
15	4167 969	2	J, U		ER0	DG0	PAD, Shift Fork
		2	J, U		ER0	DG0	With Police
		2	J, U		ER0	DG0	Without Police
16							BRACKET, Shift Mode
	8350 3510	1	J, U		ER0	DG0	With Police
		1	J, U		ER0	DG0	Without Police
17							BRACKET, Shift Mode
	8350 3511	1	J, U		ER0	DG0	With Police
		1	J, U		ER0	DG0	Without Police
18	8350 3516	1	J, U		ER0	DG0	SPRING, Mode Shift Fork
		1	J, U		ER0	DG0	With Police
		1	J, U		ER0	DG0	Without Police
19							CUP, Shift Fork Spring
	8350 3515	1	J, U		ER0	DG0	With Police
		1	J, U		ER0	DG0	Without Police
20							PIN, Shift Fork
	1664 355	1	J, U		ER0	DG0	With Police
		1	J, U		ER0	DG0	Without Police
21	8350 4469	1	J, U		ER0	DG0	RAIL, Transfer Case
		1	J, U		ER0	DG0	With Police
		1	J, U		ER0	DG0	Without Police

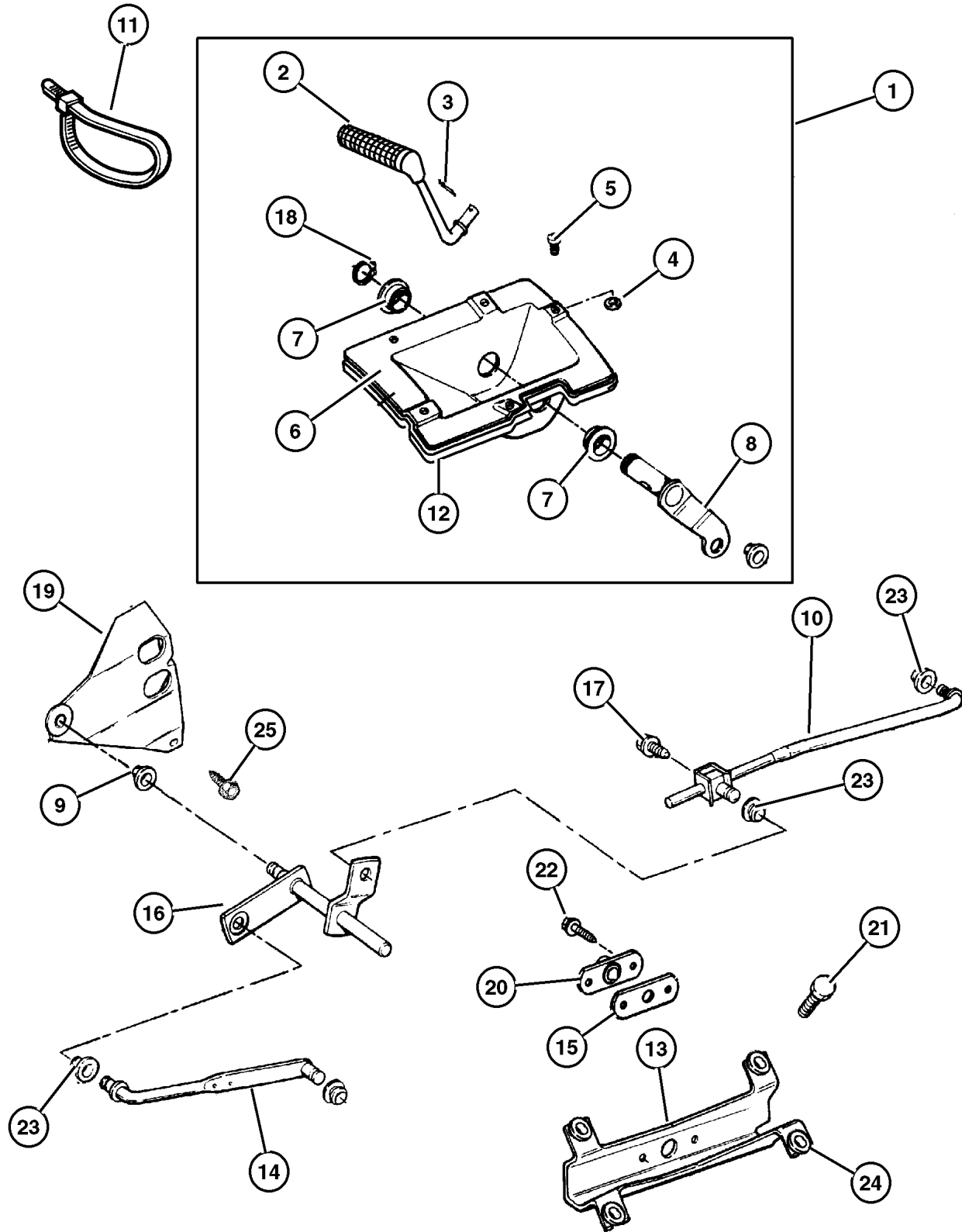


JEEP CHEROKEE (XJ)
 SERIES LINE BODY ENGINE TRANSMISSION
 P = Limited J = LHD (4WD) 74=4 Dr. (101.4 WB) ENC, EN0 = 2.5L 4 Cyl Turbo DDD = 5 Speed Manual
 S = Limited U = RHD (4WD) 72=2 Dr. (101.4 WB) ERH, ER0 = 4.0L Power Tech DGS = 4 Speed Auto AISIN
 H = Sport T = LHD (2WD) DBB = All Manual Trans
 L = SE B = RHD (2WD)

AR = Use as required - = Non illustrated part # = New this model year

May 2, 2002

**Gearshift Controls Select Trac (DHP)
Figure 242-1210**



ITEM	PART NUMBER	QTY	LINE	SERIES	ENGINE	TRANS	DESCRIPTION
Notes: Shocks----Check VIN Number for The Type of 'Z' Code Springs are on The Truck							
ER0 = All 4.0L 6 Cylinder Engines Shocks----Check VIN Number for The Type of 'Z' Code Springs are on The Truck							
DBB = All Manual Transmissions Shocks----Check VIN Number for The Type of 'Z' Code Springs are on The Truck							
DG0 = All Automatic Transmissions Shocks----Check VIN Number for The Type of 'Z' Code Springs are on The Truck							
1							SHIFTER, Transfer Case
	52104 102AB	1	J			DG0	
	52104 103AB	1	U			DG0	
2							LEVER, Transfer Case Shifter
	5207 9256	1	J			DG0	
		1	U			DG0	
3							PIN, Cotter
	J400 6723	1	J			DG0	
		1	U			DG0	
4							NUT, Push, M5
	6100 839	2	J			DG0	
		2	U			DG0	
5							FASTENER, Push On
	5207 7671	1	J			DG0	
		1	U			DG0	
6							HOUSING, Shift Lever
	5300 1284	1	J			DG0	
		1	U			DG0	
7							BUSHING, Shift Control
	5300 0639	2	J			DG0	
		2	U			DG0	
8							LEVER, Transfer Case
	5300 5150	1	J			DG0	
		1	U			DG0	
9	5300 4810	1	J, U		ER0	DG0	BUSHING, Shift Lever
10	5210 4073	1	J, U		ER0	DG0	ROD, Gear Shift Control, Transfer Case
11							STRAP, Retaining
	J369 3058	1	J			DG0	
		1	U			DG0	
12							BOOT, Transfer Case Lever
	5210 4019	1	J			DG0	
		1	U			DG0	
13	52104 017AB	1	J, U		ER0	DG0	BRACKET, Torque Shaft
14							ROD, Gear Shift Control, Transfer Case
	5300 4943	1	J, U		ER0	DG0	
	5210 4122	1	J, U		ER0	DBB	
15	5300 5154	1	J, U		ER0	DG0	GASKET, Gearshift Control Rod
16	5300 5151	1	J, U		ER0	DG0	TORQUE SHAFT, Transfer Case

JEEP CHEROKEE (XJ)

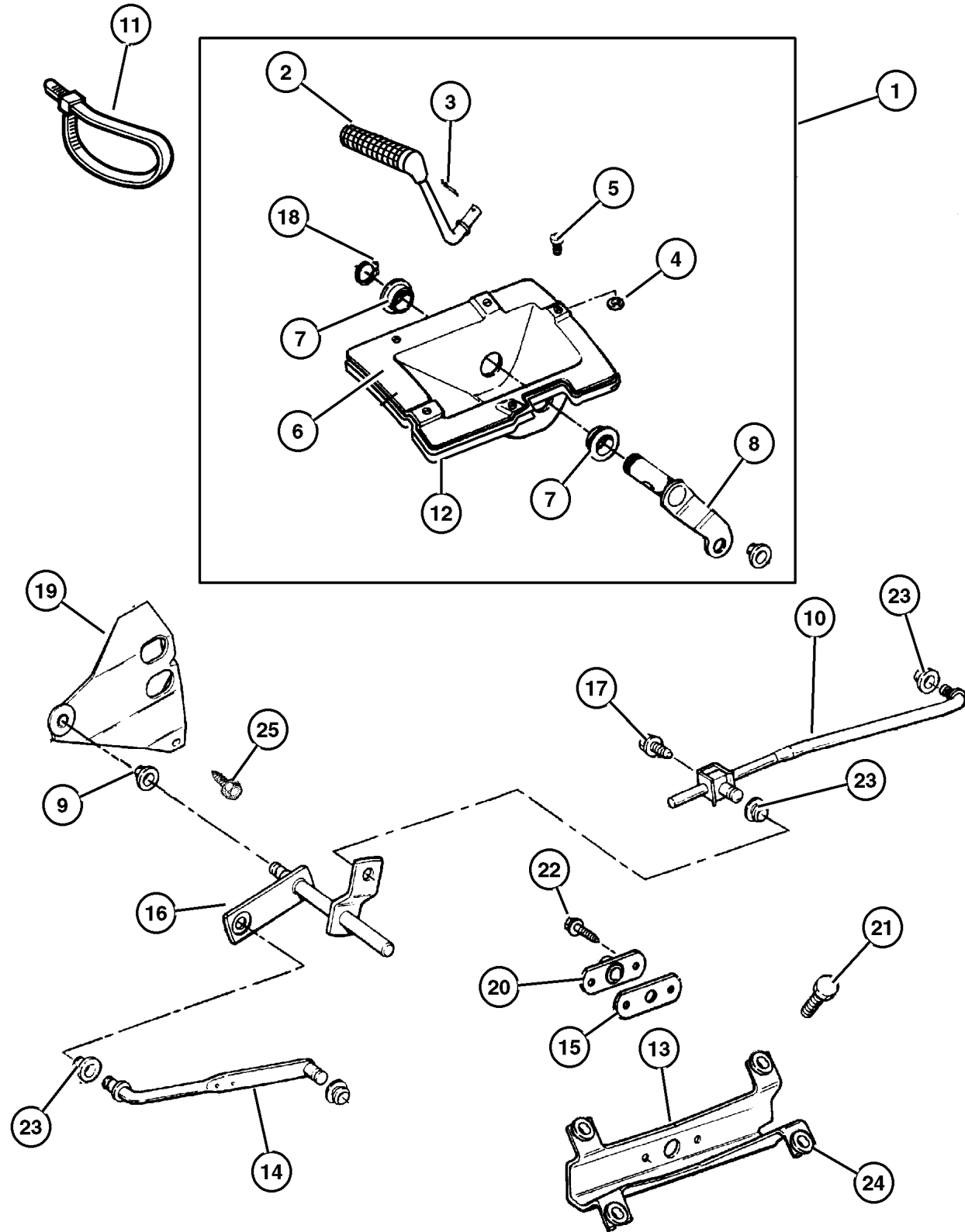
SERIES	LINE	BODY	ENGINE	TRANSMISSION
P = Limited	J = LHD (4WD)	74=4 Dr. (101.4 WB)	ENC, EN0 = 2.5L 4 Cyl Turbo	DDD = 5 Speed Manual
S = Limited	U = RHD (4WD)	72=2 Dr. (101.4 WB)	ERH, ER0 = 4.0L Power Tech	DGS = 4 Speed Auto AISIN
H = Sport	T = LHD (2WD)			DG0 = All Automatic Trans
L = SE	B = RHD (2WD)			DBB = All Manual Trans

AR = Use as required - = Non illustrated part # = New this model year

May 2, 2002

**Gearshift Controls Select Trac (DHP)
Figure 242-1210**

ITEM	PART NUMBER	QTY	LINE	SERIES	ENGINE	TRANS	DESCRIPTION
17	J400 6036	1	J, U				BOLT, Hex Head, .312-18x.50
18	1150 5389	1	J			DG0	SNAP RING
		1	U			DG0	
19	53005 071AC	1	J, U		ER0	DG0	BRACKET, Torque Shaft
20	5207 8134	1	J, U		ER0	DG0	BEARING, Transfer Case Shift
21	6503 811	4	J, U				BOLT, Hex Head, M6x1.00x20.00
22	3420 1381	2	J, U		ER0	DG0	SCREW, Hex Flange Head Tapping, M6x1.00x20.00
23	3575 333	2	J, U		ER0	DG0	GROMMET, Control Rod Front
24	5210 4014	4	J, U		ER0	DG0	GROMMET
25	1150 4336	1	J, U		ER0	DG0	BOLT, Hex Head, M8x1.25x16



JEEP CHEROKEE (XJ)				
SERIES	LINE	BODY	ENGINE	TRANSMISSION
P = Limited	J = LHD (4WD)	74=4 Dr. (101.4 WB)	ENC, EN0 = 2.5L 4 Cyl Turbo	DDD = 5 Speed Manual
S = Limited	U = RHD (4WD)	72=2 Dr. (101.4 WB)	ERH, ER0 = 4.0L Power Tech	DGS = 4 Speed Auto AISIN
H = Sport	T = LHD (2WD)			DG0 = All Automatic Trans
L = SE	B = RHD (2WD)			DBB = All Manual Trans

AR = Use as required - = Non illustrated part # = New this model year

May 2, 2002

Group – 21P

Speedometer Pinions

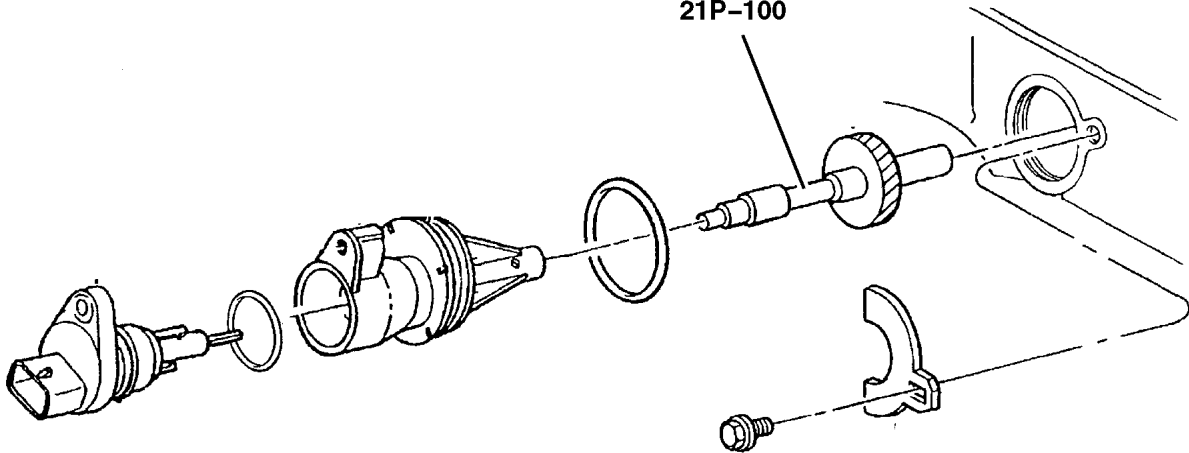
GROUP 21P - Speedometer Pinions

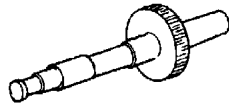
Illustration Title

Group-Fig. No.

Speedometer Pinions

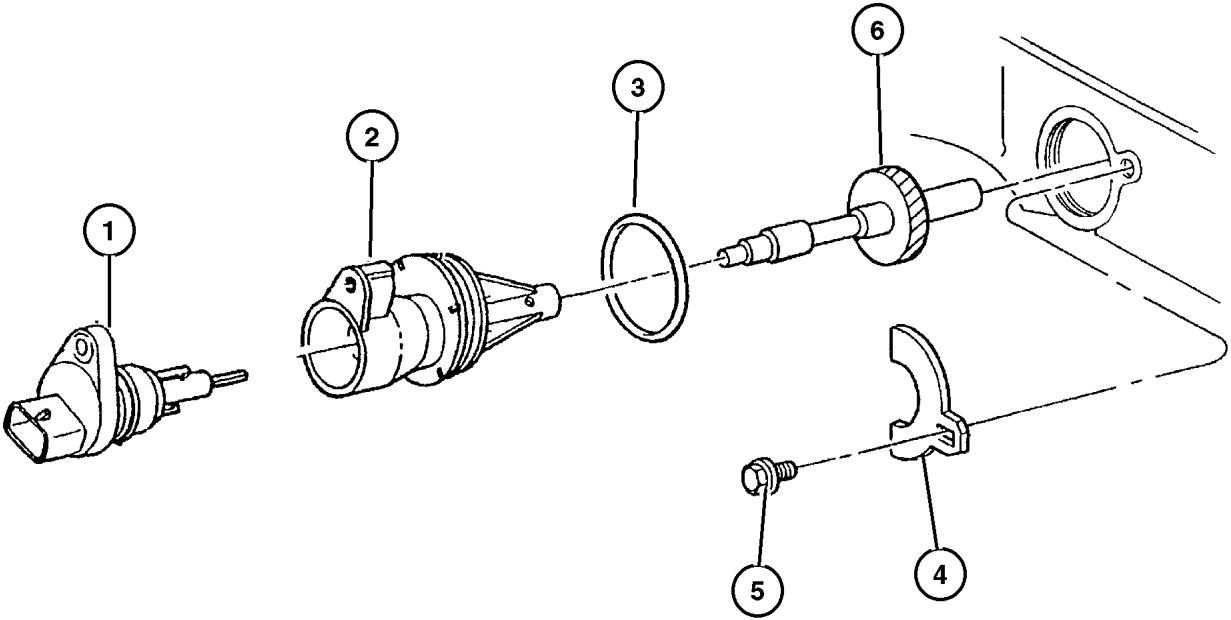
Speedometer Pinion Fig. 21P-110



<p>21P-100 Speedometer Pinions</p> 			
---	--	--	--

**Speedometer Pinion
Figure 21P-110**

ITEM	PART NUMBER	QTY	LINE	SERIES	ENGINE	TRANS	DESCRIPTION
1	5602 7905	1					SENSOR, Vehicle Speed
2	5206 9315	1					HOUSING, Speedometer Drive Gear
3	6035 709	1					O RING, Trans Speedo Adapter
4	2892 399	1					CLAMP, Speedometer
5	0180 077	1					BOLT, Hex Head, 5/16x18x3/4
6							PINION, Speedometer Drive
	5206 7630	1					3.07 AXLE RATIO, 30 Teeth, All P215/75R15/R16/R17, P225/70R15 (OWL) Eagle GA A/S
	5206 7633	1					3.50 AXLE RATIO, 33 Teeth, P225/75R15 Wrangler RT/S AT Michelin
	5206 7634	1					3.50 AXLE RATIO, 34 Teeth, P225/75R15 Wrangler RT/S AT Goodyear
	5206 7635	1					3.50 AXLE RATIO, 35 Teeth P215/75R15 BSW A/S Wrangler AP
		1					3.70 AXLE RATIO, 35 Teeth, P225/75R15 Wrangler RT/S AT Michelin
		1					3.50 AXLE RATIO, 35 Teeth, P225/70R15 High Speed Rated Eagle GA,P225/70R15 (OWL) Eagle GA A/S
	5206 7636	1					3.70 AXLE RATIO, 36 Teeth, P225/75R15 Wrangler RT/S AT, P225/75R15 (OWL) A/S Goodyear Tires
	5206 7637	1					3.70 AXLE RATIO, 37 Teeth, All P215R15/R16/R17 Tires,P225/70R15 (OWL) Eagle GA A/S Tires
	5206 7640	1					4.11 AXLE RATIO, 40 Teeth, All P215R15/R16/R17 Tires
	5206 7641	1					4.11 AXLE RATIO, 41 Teeth, P225/70R15 (OWL) A/S



JEEP CHEROKEE (XJ)				
SERIES	LINE	BODY	ENGINE	TRANSMISSION
P = Limited	J = LHD (4WD)	74=4 Dr. (101.4 WB)	ENC, EN0 = 2.5L 4 Cyl Turbo	DDD = 5 Speed Manual
S = Limited	U = RHD (4WD)	72=2 Dr. (101.4 WB)	ERH, ER0 = 4.0L Power Tech	DGS = 4 Speed Auto AISIN
H = Sport	T = LHD (2WD)			DG0 = All Automatic Trans
L = SE	B = RHD (2WD)			DBB = All Manual Trans

AR = Use as required - = Non illustrated part # = New this model year

May 2, 2002

Group – 022

Wheels, Covers and Jacks

GROUP 22 - Wheels, Covers and Jacks

Illustration Title

Group-Fig. No.

Wheels and Hardware

Wheels and Hardware Fig. 022-120

Wheel Covers and Center Caps

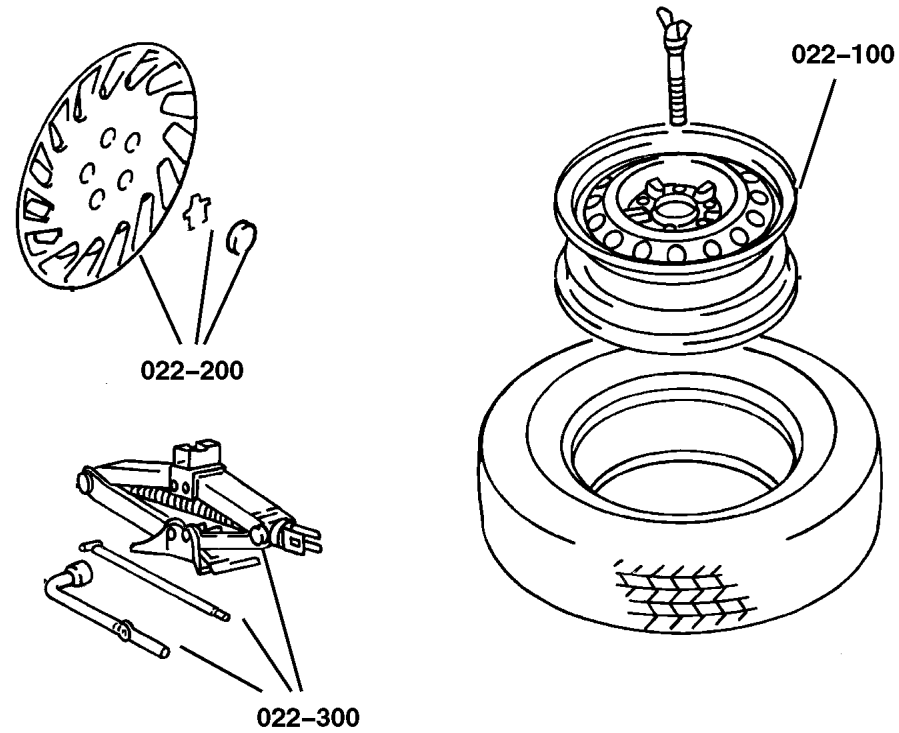
Wheel Cap Fig. 022-220


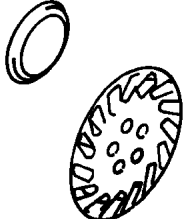
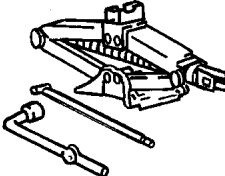
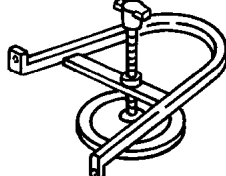
Jack Stowage

Jack Stowage Fig. 022-310

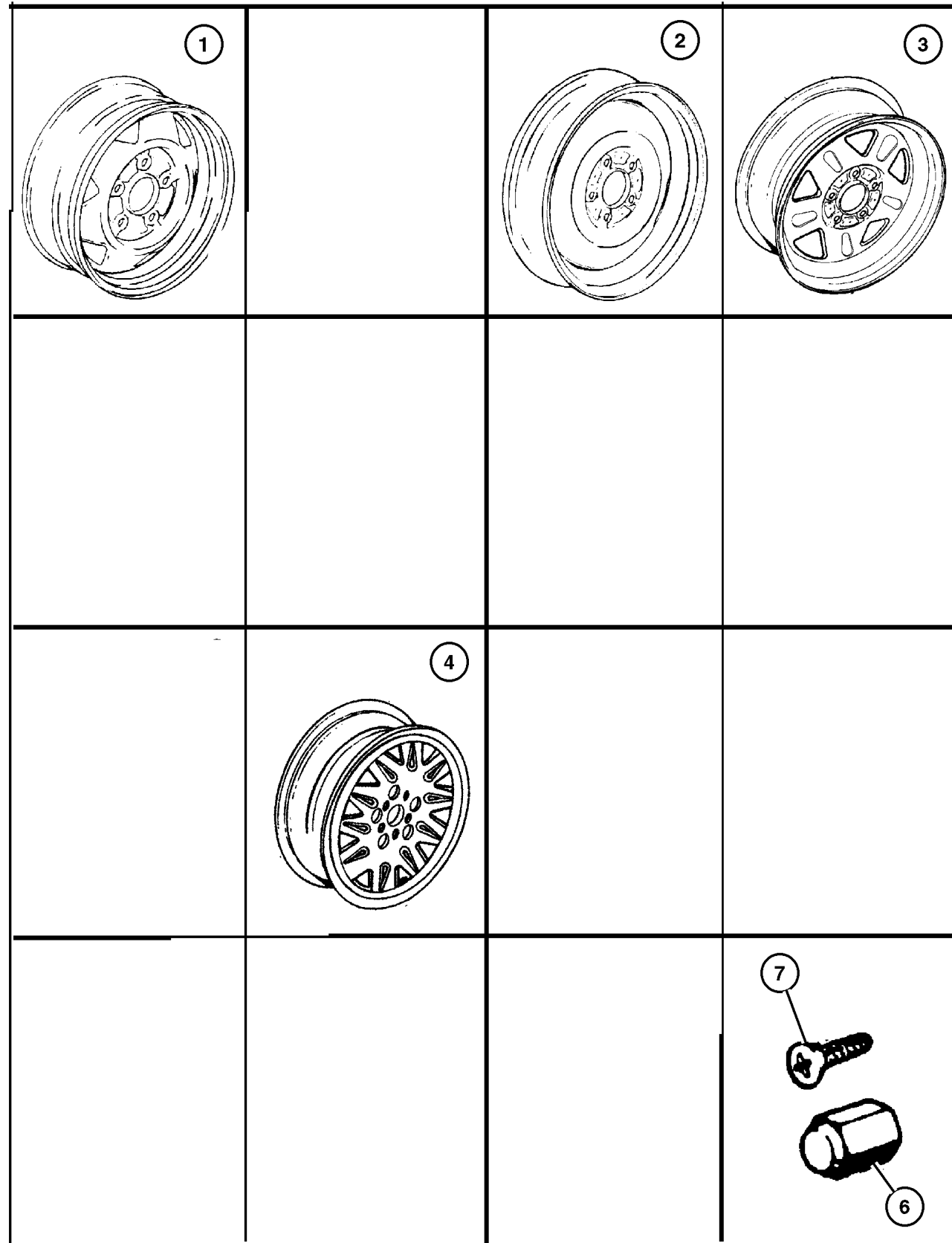
Spare Tire Stowage

Wheel, Spare Fig. 022-430



022-100 Wheels and Hardware	022-200 Wheel Covers and Center Caps	022-300 Jack Stowage	022-400 Spare Tire Stowage
			

Wheels and Hardware Figure 022-120

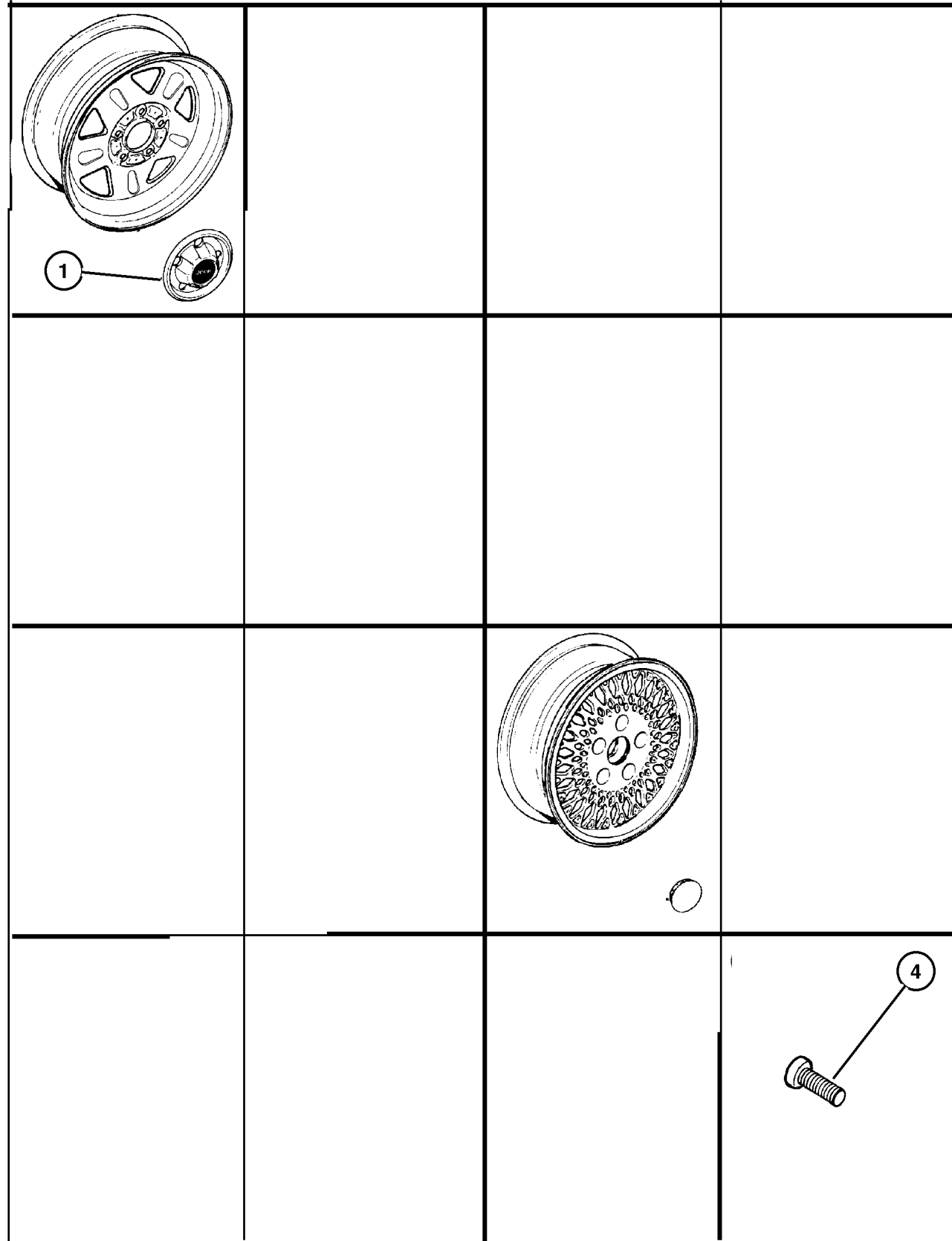


ITEM	PART NUMBER	QTY	LINE	SERIES	BODY	DESCRIPTION
Note: Sales Code WJW,WJ1,WJ5,WJU = 15x7.0 Aluminum Wheel Shocks----Check VIN Number for The Type of 'Z' Code Springs are on The Truck						
Note: Sales Code WNL,WDF = 16x7.0 Aluminum Wheel Shocks----Check VIN Number for The Type of 'Z' Code Springs are on The Truck						
Note: Sales Code WJU = 15x7.0 Steel Wheel Shocks----Check VIN Number for The Type of 'Z' Code Springs are on The Truck						
1	5EW0 3T4A	4				WHEEL, Steel, WJD
2	5200 0019	1				WHEEL, Spare
3	5FV63 S4AAC	4				WHEEL, Steel, WJ5
4						WHEEL, Aluminum
	5EE8 0TAE	4				15 x 7.0 WJW
	5EE8 0WTD	4				15 x 7.0 WJU
-5						WHEEL, Aluminum
	5GR08 MA8AA	4				16 x 7.0 WNL
	5GK75 PAKAA	4				16 x 7.0 WDF
	5FG56 PAKAB	4				16 x 7.0 WDU
6	6036 310AA	20				NUT, Wheel, .50x20
7	6506 476AA	12				SCREW, Hex Flange Head, M4.8x1.59x11.00

JEEP CHEROKEE (XJ)				
SERIES	LINE	BODY	ENGINE	TRANSMISSION
P = Limited	J = LHD (4WD)	74=4 Dr. (101.4 WB)	ENC, EN0 = 2.5L 4 Cyl Turbo	DDD = 5 Speed Manual
S = Limited	U = RHD (4WD)	72=2 Dr. (101.4 WB)	ERH, ER0 = 4.0L Power Tech	DGS = 4 Speed Auto AISIN
H = Sport	T = LHD (2WD)			DG0 = All Automatic Trans
L = SE	B = RHD (2WD)			DBB = All Manual Trans

AR = Use as required - = Non illustrated part # = New this model year

Wheel Cap Figure 022-220



ITEM	PART NUMBER	QTY	LINE	SERIES	BODY	DESCRIPTION
------	-------------	-----	------	--------	------	-------------

Note: Sales Code WJW,WJ1,WJ5,WJ7,WJU = 15x7.0 Aluminum Wheel Shocks----Check VIN Number for The Type of 'Z' Code Springs are on The Truck

Note: Sales Code WNL,WDF = 16x7.0 Aluminum Wheel Shocks----Check VIN Number for The Type of 'Z' Code Springs are on The Truck

1	5208 9008	4				CAP, Wheel Center
-2						CAP, Wheel Center
	5DY0 7TA8	4				WNL
	5DY0 7TAK	4				WDF
	5DY0 7WTD	4				WJU
	5CF3 4L4A	4				WJ5
-3	5DY0 7TAE	4				CAP, Wheel Center, WJW
4	6506 476AA	12				SCREW, Hex Flange Head, M4.8x1.59x11.00

JEEP CHEROKEE (XJ)

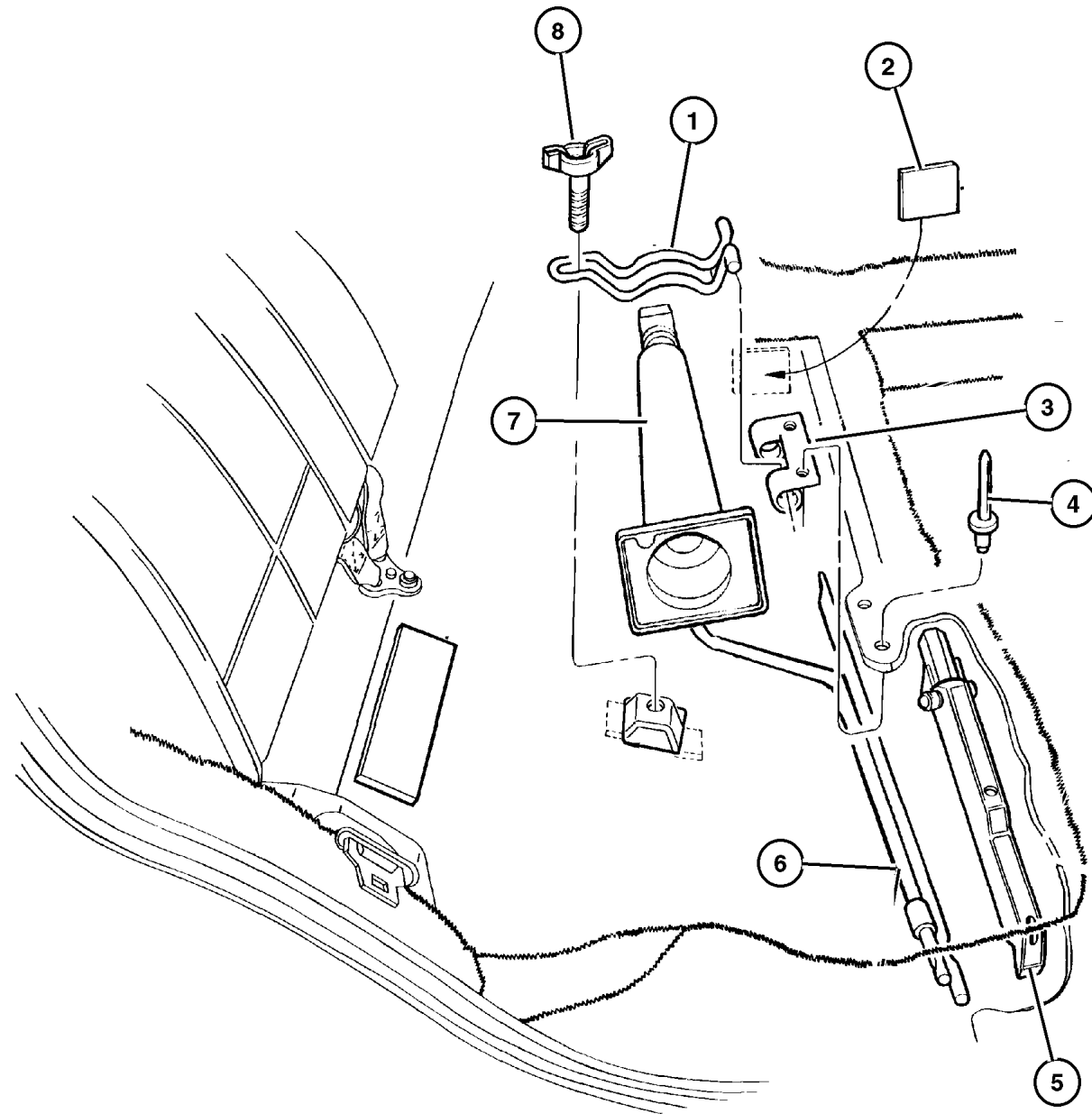
SERIES	LINE	BODY	ENGINE	TRANSMISSION
P = Limited	J = LHD (4WD)	74=4 Dr. (101.4 WB)	ENC, EN0 = 2.5L 4 Cyl Turbo	DDD = 5 Speed Manual
S = Limited	U = RHD (4WD)	72=2 Dr. (101.4 WB)	ERH, ER0 = 4.0L Power Tech	DGS = 4 Speed Auto AISIN
H = Sport	T = LHD (2WD)			DG0 = All Automatic Trans
L = SE	B = RHD (2WD)			DBB = All Manual Trans

AR = Use as required - = Non illustrated part # = New this model year

May 2, 2002

**Jack Stowage
Figure 022-310**

ITEM	PART NUMBER	QTY	LINE	SERIES	BODY	DESCRIPTION
1	52003 474AB	1				RETAINER, Jack Hold Down
2						LABEL, Jack Ok, (NOT SERVICED)
3	5500 1903	1				BRACKET, Jack
4	3420 1684	2			74	RIVET, M3.18x2.37
5						WRENCH, Wheel Lug Nut, 52003583, (NOT SERVICED)
6	52000 221AB	1				HANDLE, Jack
7	5205 9104	1				JACK
8	5200 0354	1				WINGSCREW

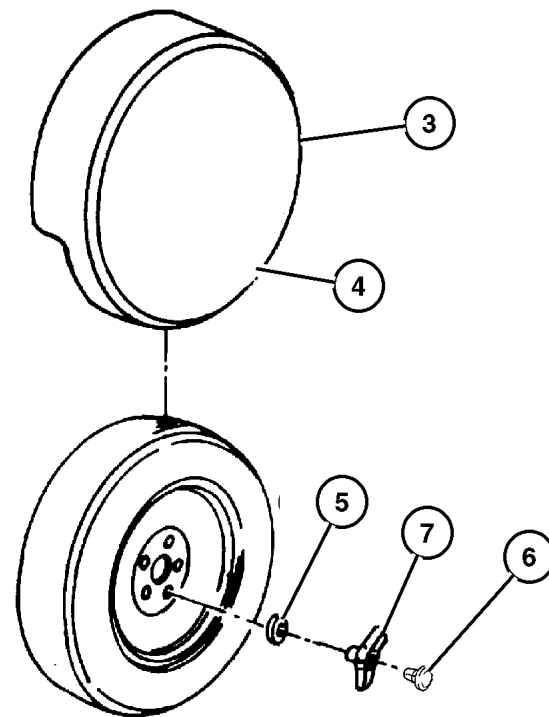
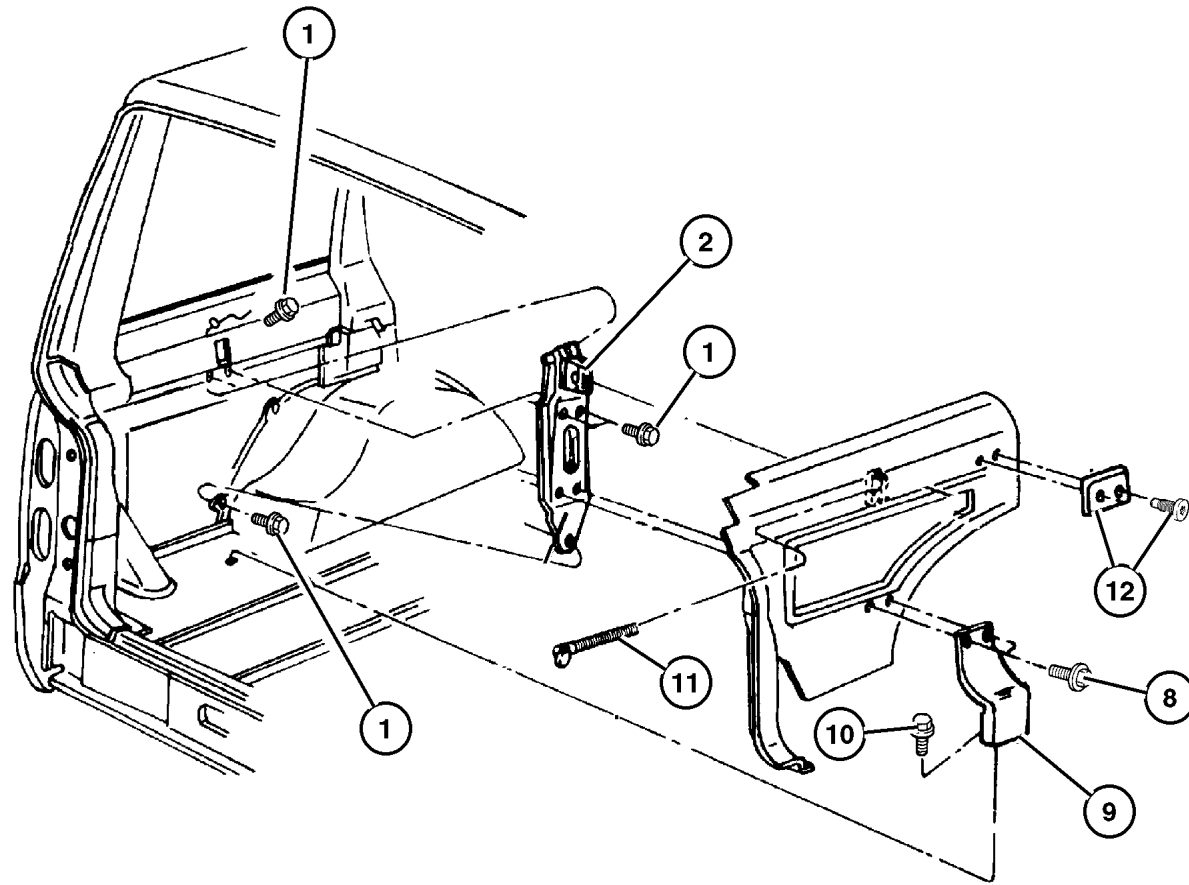


JEEP CHEROKEE (XJ)				
SERIES	LINE	BODY	ENGINE	TRANSMISSION
P = Limited	J = LHD (4WD)	74=4 Dr. (101.4 WB)	ENC, EN0 = 2.5L 4 Cyl Turbo	DDD = 5 Speed Manual
S = Limited	U = RHD (4WD)	72=2 Dr. (101.4 WB)	ERH, ER0 = 4.0L Power Tech	DGS = 4 Speed Auto AISIN
H = Sport	T = LHD (2WD)			DG0 = All Automatic Trans
L = SE	B = RHD (2WD)			DBB = All Manual Trans

AR = Use as required - = Non illustrated part # = New this model year

May 2, 2002

Wheel, Spare
Figure 022-430



ITEM	PART NUMBER	QTY	LINE	SERIES	BODY	DESCRIPTION
1	3420 1381	2				SCREW, Hex Flange Head Tapping, M6x1.00x20.00
2	55235 195AB	1				BRACKET, Swing Bolt Retainer
3						COVER, Inside Spare Tire
	5FM74 LAZAC	1				Gray, Compact Spare
	5FM74 VK9AC	1				Tan, Compact Spare
	5FM76 LAZAD	1				Gray, Standard
	5FM76 VK9AD	1				Tan, Standard
4						COVER, Spare Tire, Shade Assy., with Clips
	5FX79 1AZAF	1				Gray
	5FX79 1K9AF	1				Tan
5	5208 7669	1				CUP, Spare Tire Retention
6	5200 0733	1				CAP, Spare Tire Wing Nut
7	6503 070	1				WINGNUT, Jack and Tire Hold Down
8	3420 1610	2				SCREW AND WASHER, Hex Head, M6x1x30
9	55000 859AB	1				BRACKET, Spare Tire
10						SCREW, (NOT SERVICED)
11	55235 181AC	1				BOLT, Spare Wheel Hold Down
12						REST, Spare Tire, (NOT SERVICED)

JEEP CHEROKEE (XJ)

SERIES	LINE	BODY	ENGINE	TRANSMISSION
P = Limited	J = LHD (4WD)	74=4 Dr. (101.4 WB)	ENC, EN0 = 2.5L 4 Cyl Turbo	DDD = 5 Speed Manual
S = Limited	U = RHD (4WD)	72=2 Dr. (101.4 WB)	ERH, ER0 = 4.0L Power Tech	DGS = 4 Speed Auto AISIN
H = Sport	T = LHD (2WD)			DG0 = All Automatic Trans
L = SE	B = RHD (2WD)			DBB = All Manual Trans

AR = Use as required - = Non illustrated part # = New this model year

May 2, 2002

Group – 23D

Wiper/Lock Cylinder and Keys

GROUP 23D - Wiper/Lock Cylinder and Keys

Illustration Title

Group-Fig. No.

Lock Cylinders and Keys

Lock Cylinders & Keys Fig. 23D-120

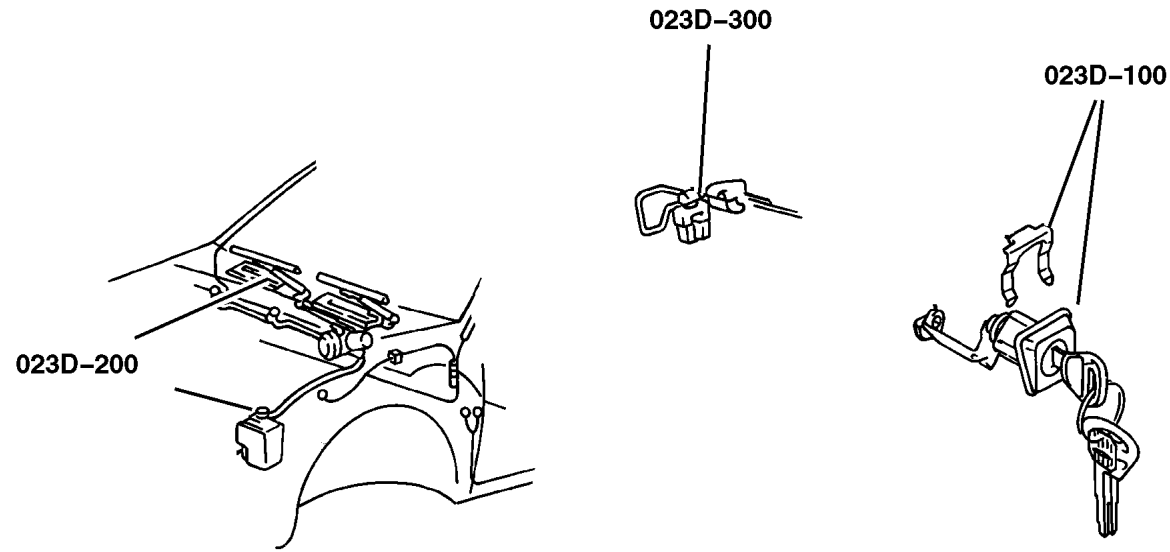
Windshield Wiper and Washer Systems

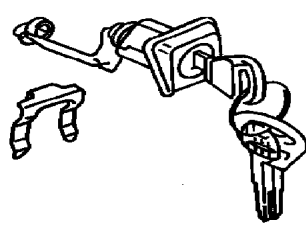
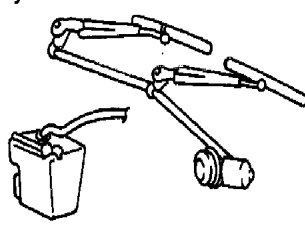
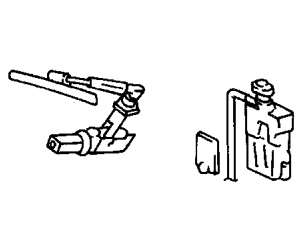
Windshield Wiper & Washer L.H.D. Fig. 23D-220

Windshield Wiper & Washer R.H.D. Fig. 23D-222

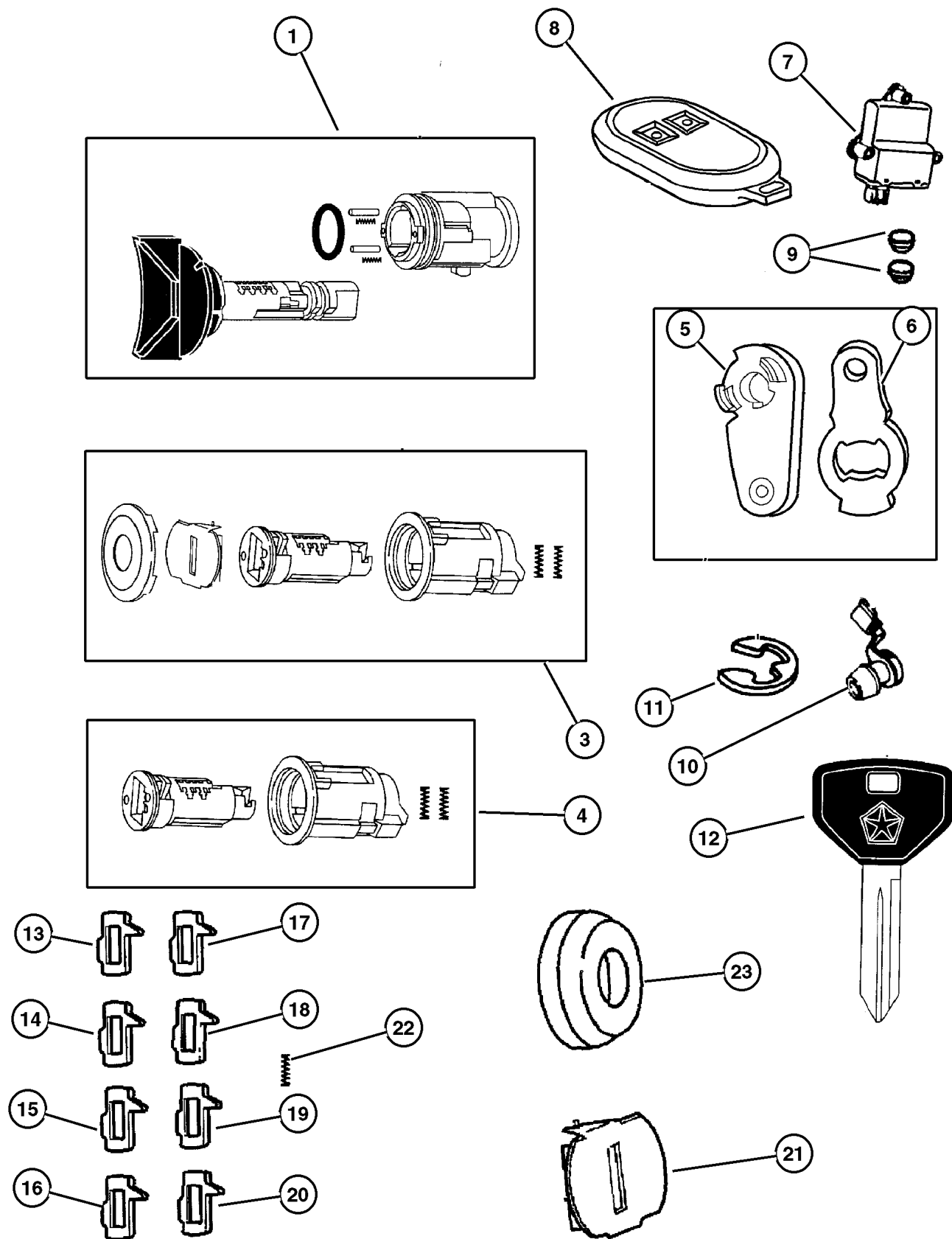
Rear Wiper and Washer System

Rear Wiper & Washer Fig. 23D-320



<p>23D-100 Lock Cylinders and Keys</p> 	<p>23D-200 Windshield Wiper and Washer Systems</p> 	<p>23D-300 Rear Wiper and Washer System</p> 	
---	---	---	--

Lock Cylinders & Keys Figure 23D-120



ITEM	PART NUMBER	QTY	LINE	BODY	DESCRIPTION
1	5003 843AB	1			CYLINDER, Ignition Lock
-2	4864 651	1			CYLINDER, Door Lock
3	4778 125	AR			LOCK CYLINDER, [Liftgate Only]
4	4746 315	1			CYLINDER, Glove Box Lock
5	5507 5824	1			LEVER, Door Lock Cylinder
6	5507 5838	1			LEVER, Liftgate Lock Cylinder
7					MODULE PACKAGE, Keyless Entry
	5003 382AB	1			EUROPE
	5003 378AD	1			
8					TRANSMITTER, Keyless Entry
	56036 859AD	2			w/o Immobilizer
	56036 862AC	2			w/Immobilizer
9	8350 4802	2			BATTERY, Transmitter
10					CLIP, Latch
	4658 445	1			Orange
	4658 444	1			Purple
11	6026 125	1			CLIP, Retainer
12					KEY, Master
	#5018 699AA	2			Smart Key
	#5018 700AA	2			
13	5010 879AA	1			TUMBLER, Ignition Number 1, Sidebar
14	5010 880AA	1			TUMBLER, Ignition Number 2, Sidebar
15	5010 881AA	1			TUMBLER, Ignition Number 3, Sidebar
16	5010 882AA	1			TUMBLER, Ignition Number 4, Sidebar
17	4778 117	1			TUMBLER, Door and Deck Number 1, Wide
18	4778 118	1			TUMBLER, Door and Deck Number 2, Wide
19	4778 119	1			TUMBLER, Door and Deck Number 3, Wide
20	4778 120	1			TUMBLER, Door and Deck Number 4, Wide
21	4778 150	1			SHUTTER, Door, Deck and Liftgate, Bright
22	4778 121	1			SPRING, Door and Deck Tumbler
23	4882 178	1			CAP, Door Lock Cylinder
-24	56042 844AA	1			LABEL, General Information
-25	55314 965AB	1			TRIM RING, Ignition Key Cylinder
-26	5523 5561	2			GASKET, Door Lock Cylinder, Black
-27	5010 883AB	1			SPRING, Ignition Tumbler, Sidebar

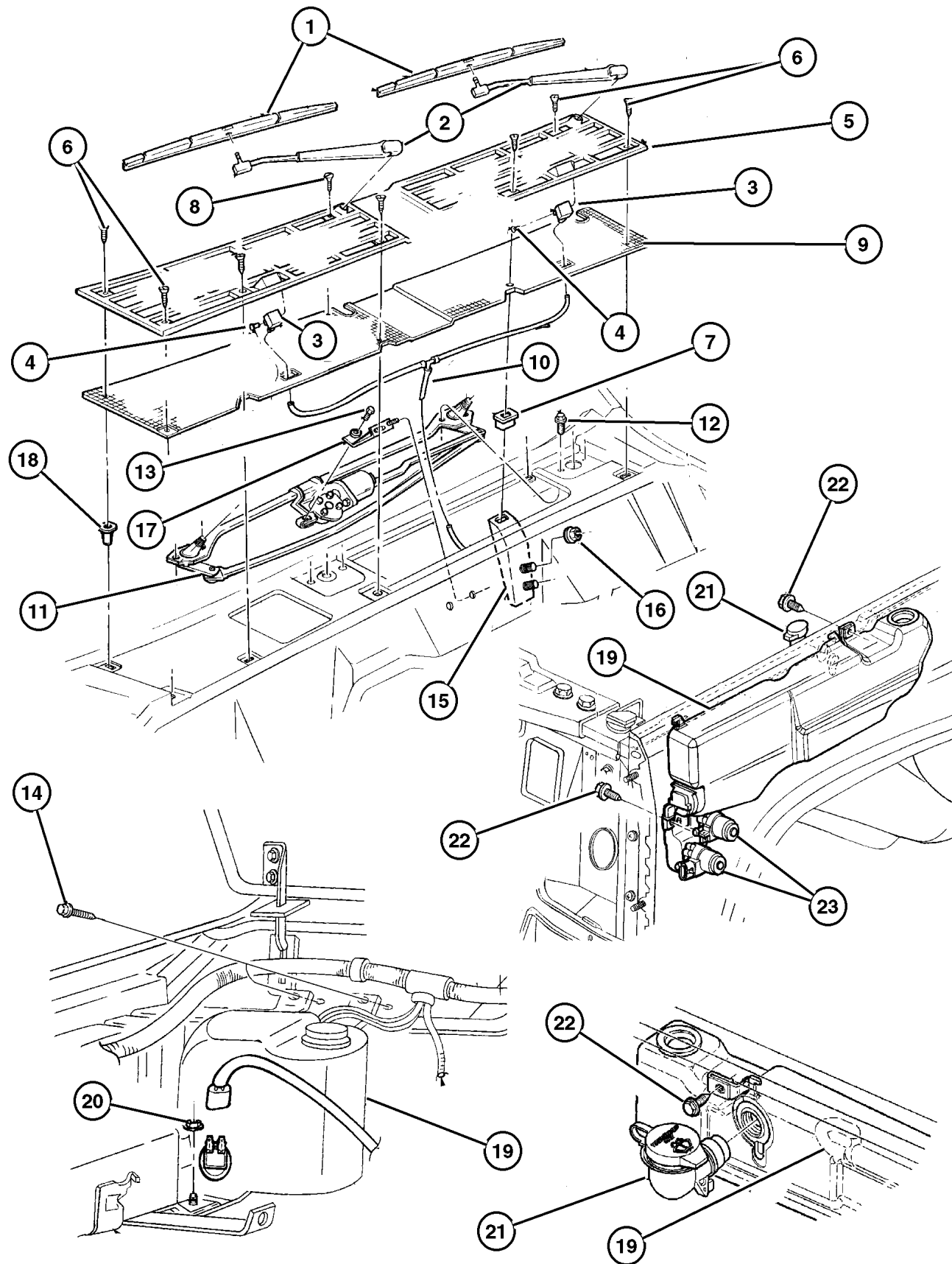
JEEP CHEROKEE (XJ)

SERIES	LINE	BODY	ENGINE	TRANSMISSION
P = Limited	J = LHD (4WD)	74=4 Dr. (101.4 WB)	ENC, EN0 = 2.5L 4 Cyl Turbo	DDD = 5 Speed Manual
S = Limited	U = RHD (4WD)	72=2 Dr. (101.4 WB)	ERH, ER0 = 4.0L Power Tech	DGS = 4 Speed Auto AISIN
H = Sport	T = LHD (2WD)			DG0 = All Automatic Trans
L = SE	B = RHD (2WD)			DBB = All Manual Trans

AR = Use as required - = Non illustrated part # = New this model year

May 2, 2002

**Windshield Wiper & Washer L.H.D.
Figure 23D-220**



ITEM	PART NUMBER	QTY	LINE	BODY	DESCRIPTION
1	5515 5650	2	J, T		BLADE, Wiper
2	5515 5649	2	J, T		ARM, Wiper
3	5600 1601	2			NOZZLE, Washer, Windshield
4	J400 4262	2			PIN, Push, .15x.41
5	55008 832AD	1	J, T		GRILLE, Cowl Panel
6	3420 1230	4			SCREW, Round Washer Head AB
7	3420 1872	AR			NUT, Snap In, M4.2 x 1.41
8					SCREW, .164-18x.625, (NOT SERVICED)
9	55008 833AB	1	J, T		SCREEN, Cowl
10	55155 041AC	1			HOSE, Windshield Washer
11	55155 297AB	1	J, T		MOTOR, Wiper
12	3420 1496	4			SCREW, Pan Plastite, M7.25x3.18x25.00
13	3420 1686	2			BOLT, Hex Flange Head, M12x1.18x35
14					SCREW, Self Tapping, M6x1x15, (NOT SERVICED)
15	55235 370AB	1	J, T		BRACKET, Grille To Cowl Extension
16	3420 1358	2			NUT AND WASHER, Hex Nut-Sealing Washer, M6 x 1.00
17	55003 036AB	1	J, T		BRACKET, Wiper Motor
18	0441 263	2			NUT, Push
19					RESERVOIR, Washer
	4778 344	1			w/Sensor
	4778 345	1			w/o Sensor
20	6503 825	1			NUT AND WASHER, Hex Nut-Coned Washer, M6 x 1.00
21	55154 812AB	1			FILLER NECK AND CAP, Washer Reservoir
22					BOLT AND WASHER, Hex Head, .19-16x.75, (NOT SERVICED)
23					PUMP, Washer, Windshield
	4778 347	1			Front
	4778 348	1			Rear
-24					GROMMET, Washer Reservoir
	4778 346	1			Sensor/Pump
	4778 350	1			Filler Neck
-25	5515 4979	1			SENSOR, Washer Fluid Level

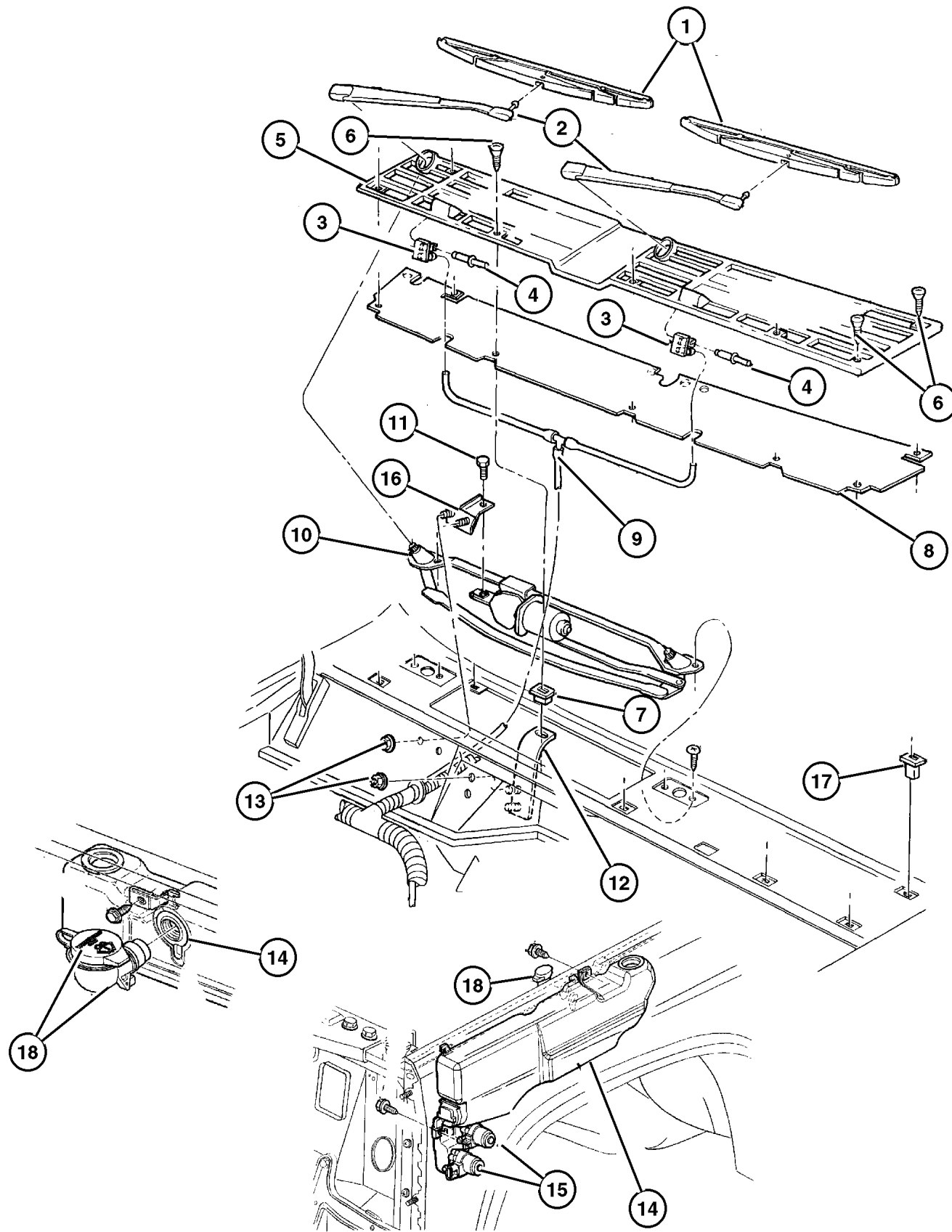
JEEP CHEROKEE (XJ)

SERIES	LINE	BODY	ENGINE	TRANSMISSION
P = Limited	J = LHD (4WD)	74=4 Dr. (101.4 WB)	ENC, EN0 = 2.5L 4 Cyl Turbo	DDD = 5 Speed Manual
S = Limited	U = RHD (4WD)	72=2 Dr. (101.4 WB)	ERH, ER0 = 4.0L Power Tech	DGS = 4 Speed Auto AISIN
H = Sport	T = LHD (2WD)			DG0 = All Automatic Trans
L = SE	B = RHD (2WD)			DBB = All Manual Trans

AR = Use as required - = Non illustrated part # = New this model year

May 2, 2002

**Windshield Wiper & Washer R.H.D.
Figure 23D-222**

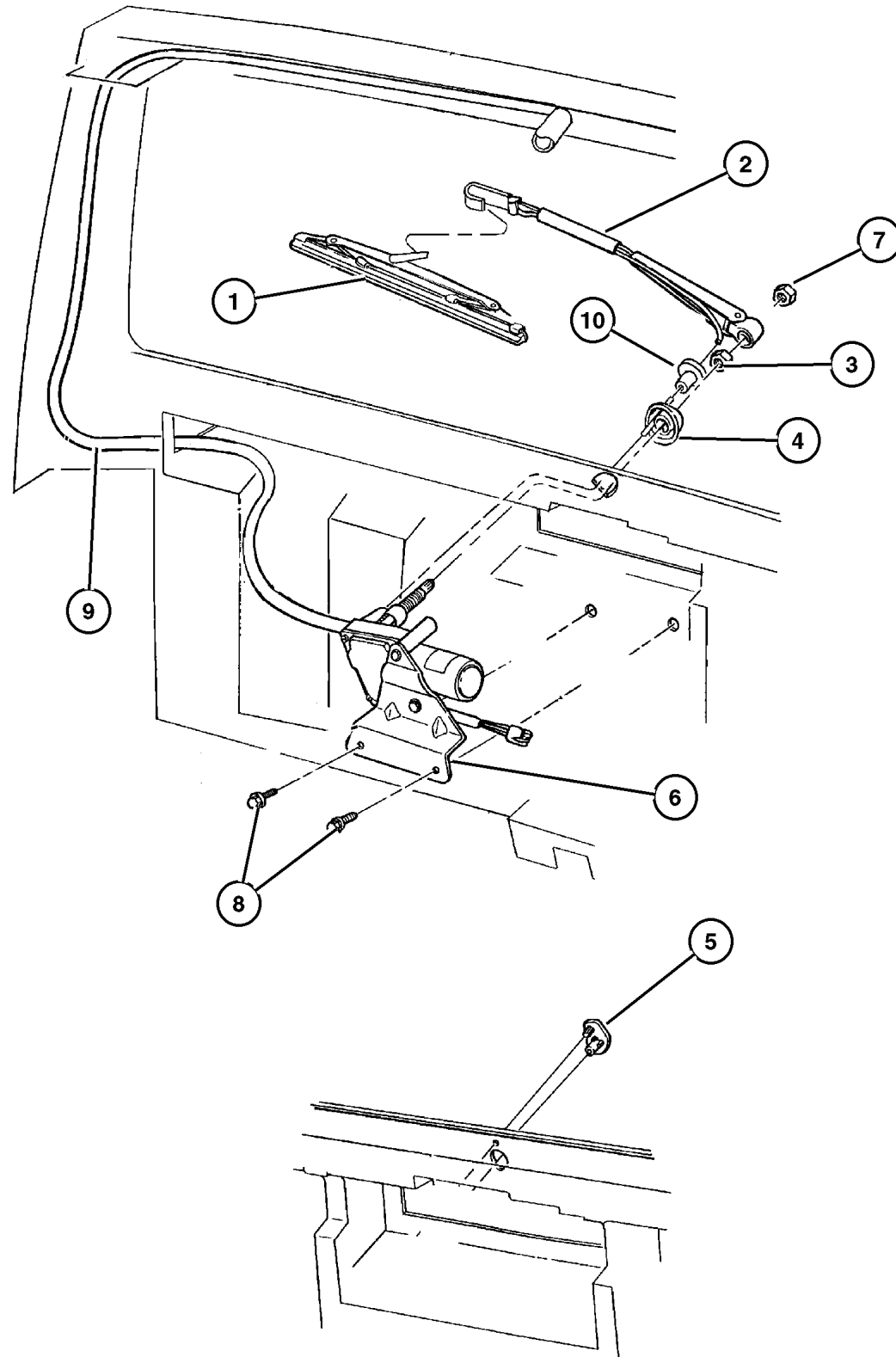


ITEM	PART NUMBER	QTY	LINE	BODY	DESCRIPTION
1	5515 5652	2	B, U		BLADE, Wiper
2	5515 5651	2	B, U		ARM, Wiper
3	5600 1601	2			NOZZLE, Washer, Windshield
4	J400 4262	2			PIN, Push, .15x.41
5	5502 7696	1	B, U		GRILLE, Cowl Panel
6	3420 1230	4			SCREW, Round Washer Head AB
7	3420 1872	AR			NUT, Snap In, M4.2 x 1.41
8	5502 7697	1	B, U		SCREEN, Cowl
9					HOSE, Windshield Washer, 0156 ID=4MM, (NOT SERVICED)
10	55155 300AB	1	B, U		MOTOR, Wiper
11	3420 1686	2			BOLT, Hex Flange Head, M12x1.18x35
12	55235 371AB	1	B, U		BRACKET, Extension to Cowl Top
13	3420 1358	2			NUT AND WASHER, Hex Nut-Sealing Washer, M6 x 1.00
14					RESERVOIR, Washer w/Sensor
	4778 344	1			w/o Sensor
	4778 345	1			
15	4778 347	1			PUMP, Washer, Windshield, w/o Sensor
16	55154 763AB	1	B, U		BRACKET, Wiper Motor
17	0441 263	2			NUT, Push
18	55154 812AB	1			FILLER NECK AND CAP, Washer Reservoir
-19	4778 346	1			GROMMET, Washer Reservoir, Sensor/Pump
-20	4778 350	1			GROMMET, Washer Reservoir, Filler Neck
-21	5515 4979	1			SENSOR, Washer Fluid Level

JEEP CHEROKEE (XJ)				
SERIES	LINE	BODY	ENGINE	TRANSMISSION
P = Limited	J = LHD (4WD)	74=4 Dr. (101.4 WB)	ENC, EN0 = 2.5L 4 Cyl Turbo	DDD = 5 Speed Manual
S = Limited	U = RHD (4WD)	72=2 Dr. (101.4 WB)	ERH, ER0 = 4.0L Power Tech	DGS = 4 Speed Auto AISIN
H = Sport	T = LHD (2WD)			DG0 = All Automatic Trans
L = SE	B = RHD (2WD)			DBB = All Manual Trans

AR = Use as required - = Non illustrated part # = New this model year

Rear Wiper & Washer
Figure 23D-320



ITEM	PART NUMBER	QTY	LINE	BODY	DESCRIPTION
1	55154 920AB	1			BLADE, Wiper
2	55154 919AB	1			ARM, Wiper
3	6502 299	1			CAPS, M16x1.00
4	55154 942AB	1			BEZEL, Liftgate Wiper Motor
5	55154 939AB	1			PLUG, Liftgate
6	55154 944AB	1			MOTOR, Wiper
7	6500 165	1			NUT, Wiper Arm
8	6102 141AA	3			SCREW, M6x1x25
9	55155 041AC	1			HOSE, Windshield Washer
10					CLIP, Tube
	3200 0404	1	B, U		
	3420 1633	1	J, T		
-11	4778 344	1			RESERVOIR, Washer
-12	4778 348	1			PUMP, Washer, Windshield
-13	5515 5024	1			CHECK VALVE, Washer

JEEP CHEROKEE (XJ)				
SERIES	LINE	BODY	ENGINE	TRANSMISSION
P = Limited	J = LHD (4WD)	74=4 Dr. (101.4 WB)	ENC, EN0 = 2.5L 4 Cyl Turbo	DDD = 5 Speed Manual
S = Limited	U = RHD (4WD)	72=2 Dr. (101.4 WB)	ERH, ER0 = 4.0L Power Tech	DGS = 4 Speed Auto AISIN
H = Sport	T = LHD (2WD)			DG0 = All Automatic Trans
L = SE	B = RHD (2WD)			DBB = All Manual Trans

AR = Use as required - = Non illustrated part # = New this model year

May 2, 2002

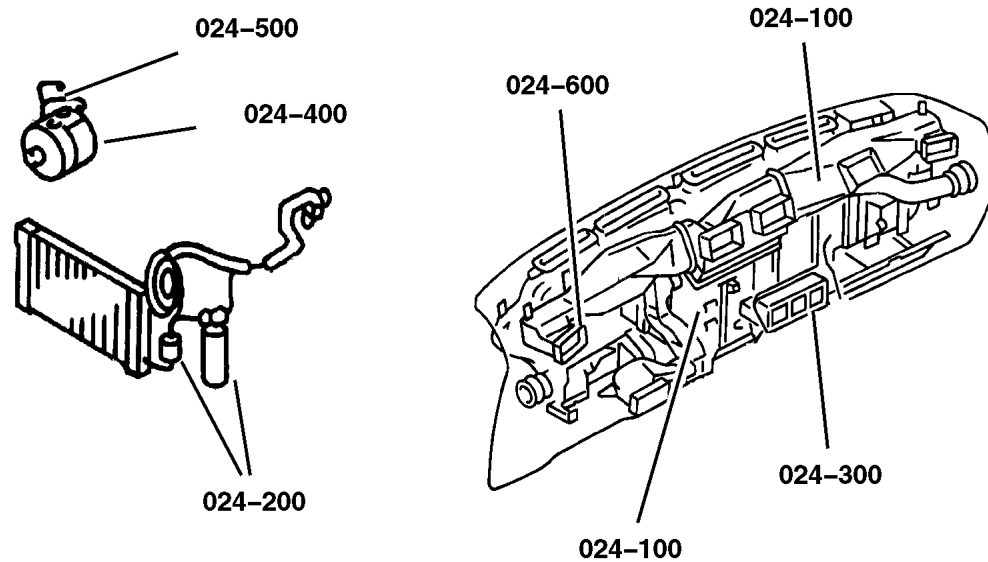
Group – 024

Air Conditioning & Heater

GROUP 24 - Air Conditioning & Heater

Illustration Title

Group-Fig. No.



Air Conditioner and Heater Units

Hevac Unit Fig. 024-110

Air Conditioner and Heater Plumbing

Plumbing, Heater 4.0L Engine, LHD Fig. 024-210

Plumbing, Heater 4.0L Engine, RHD Fig. 024-220

Plumbing, Heater 2.5L Diesel Engine, LHD Fig. 024-230

Plumbing, Heater 2.5L Diesel Engine, RHD Fig. 024-240

Plumbing, Air Conditioning 4.0L Engine, LHD Fig. 024-250

Plumbing, Air Conditioning, 4.0L Engine, RHD Fig. 024-270

Plumbing, Air Conditioning, 2.5L Diesel Engine, LHD Fig. 024-280

Plumbing, Air Conditioning, 2.5L Diesel Engine, RHD Fig. 024-290

Air Conditioner and Heater Controls

Control, Heater and Air Conditioning Fig. 024-310

Air Conditioning Compressor

Compressor, Air Conditioning, 4.0L Gas Engines Fig. 024-410

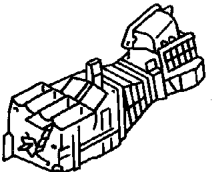
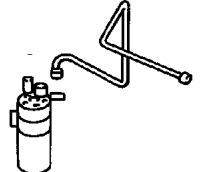
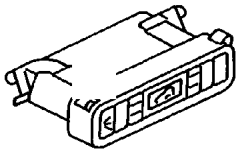
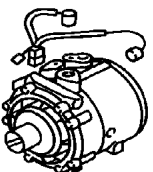
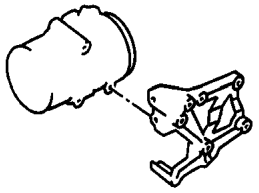
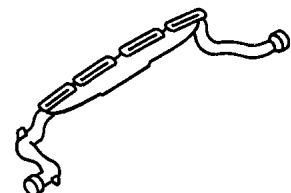
Compressor, Air Conditioning, 2.5L Diesel Engine Fig. 024-415

Air Conditioning Compressor Mounting

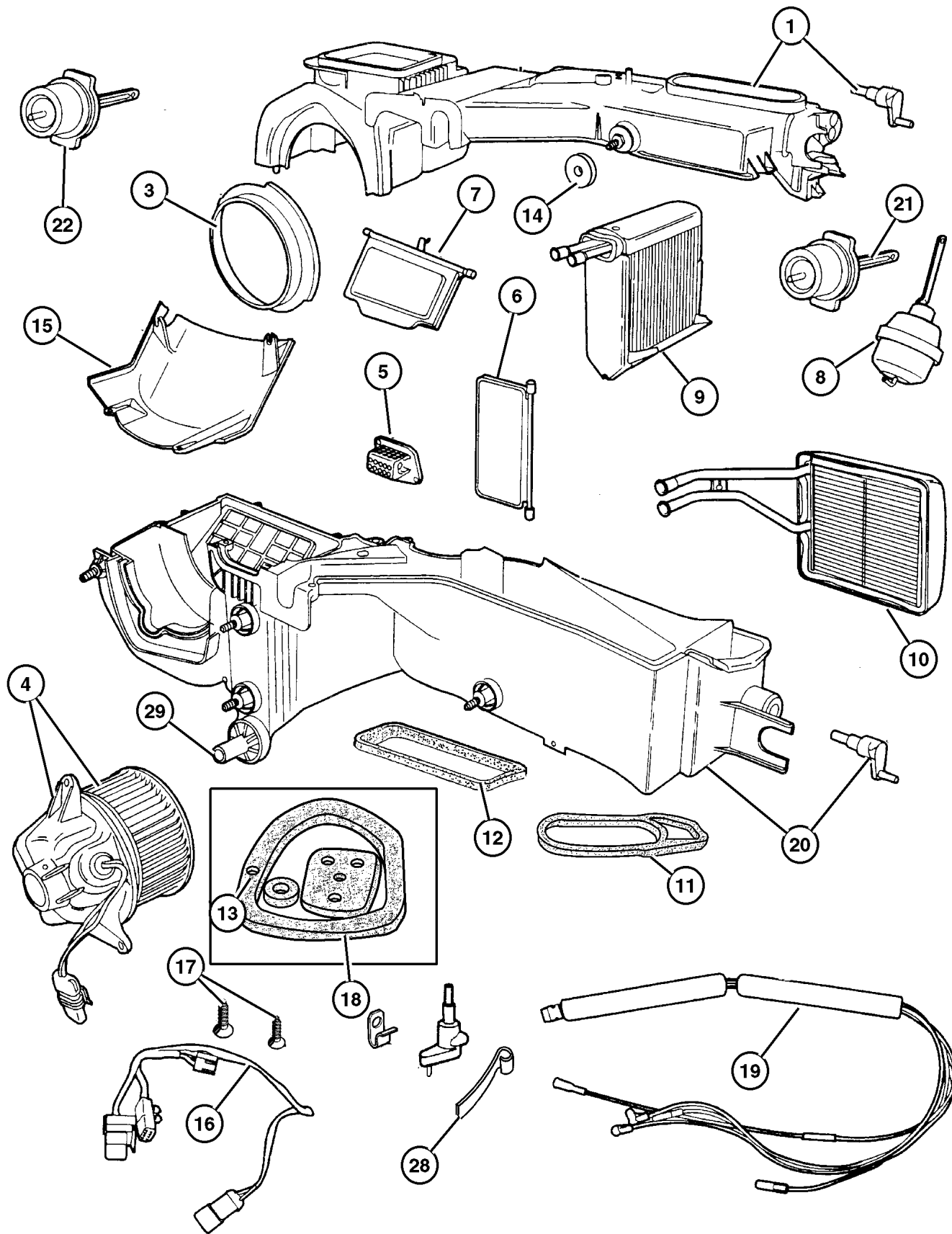
Compressor Mounting Fig. 024-510

Air Ducts and Outlets

Air Distribution Ducts Fig. 024-610

024-100 Air Conditioner and Heater Units 	024-200 Air Conditioner and Heater Plumbing 	024-300 Air Conditioner and Heater Controls 	024-400 Air Conditioning Compressor 
024-500 Air Conditioning Compressor Mounting 	024-600 Air Ducts and Outlets 		

Hevac Unit
Figure 024-110



ITEM	PART NUMBER	QTY	LINE	BODY	ENGINE	DESCRIPTION
1						HOUSING, A/C Upper
	4864 943	1	J, T			Upper
	4864 945	1	B, U			Upper
-2						HOUSING, Heater
	4864 944	1	J, T			
	5013 739AA	1	B, U			
3						RING
	4864 951	1	J, T			
		1	B, U			
4						BLOWER
	4864 956	1	B, U			
	4886 150AA	1	J, T			
5						RESISTOR, Blower Motor
	4864 957	1	B, U			
		1	J, T			
6						DOOR, Blend Air
	5073 553AA	1	J, T			
	4897 611AA	1	B, U			
7						DOOR, Fresh Air
	4864 992	1	J, T			
	4864 993	1	B, U			
8						ACTUATOR, Vacuum Defrost Door
	4864 994	1	J, T			Defrost Door
		1	B, U			
9						EVAPORATOR KIT, A/C
	4864 999AC	1	J, T			
	4874 044AC	1	B, U			
10						CORE, Heater
	4874 045	1	J, T			
	4874 046	1	B, U			
11						SEAL, Demister
	4874 063	1	J, T			
	4874 065	1	B, U			
12						SEAL, Vent
	4874 068	1	J, T			
		1	B, U			
13						SEAL KIT, A/C And Heater Unit
	4874 069AB	1	J, T			with Air Conditioning
	4874 070AB	1	B, U			with Air Conditioning
	4874 071AB	1	J, T			without Air Conditioning
	4874 072AB	1	B, U			without Air Conditioning
14	55235 952AA	3				WASHER, Sealing
15						COVER, Recirculating Valve

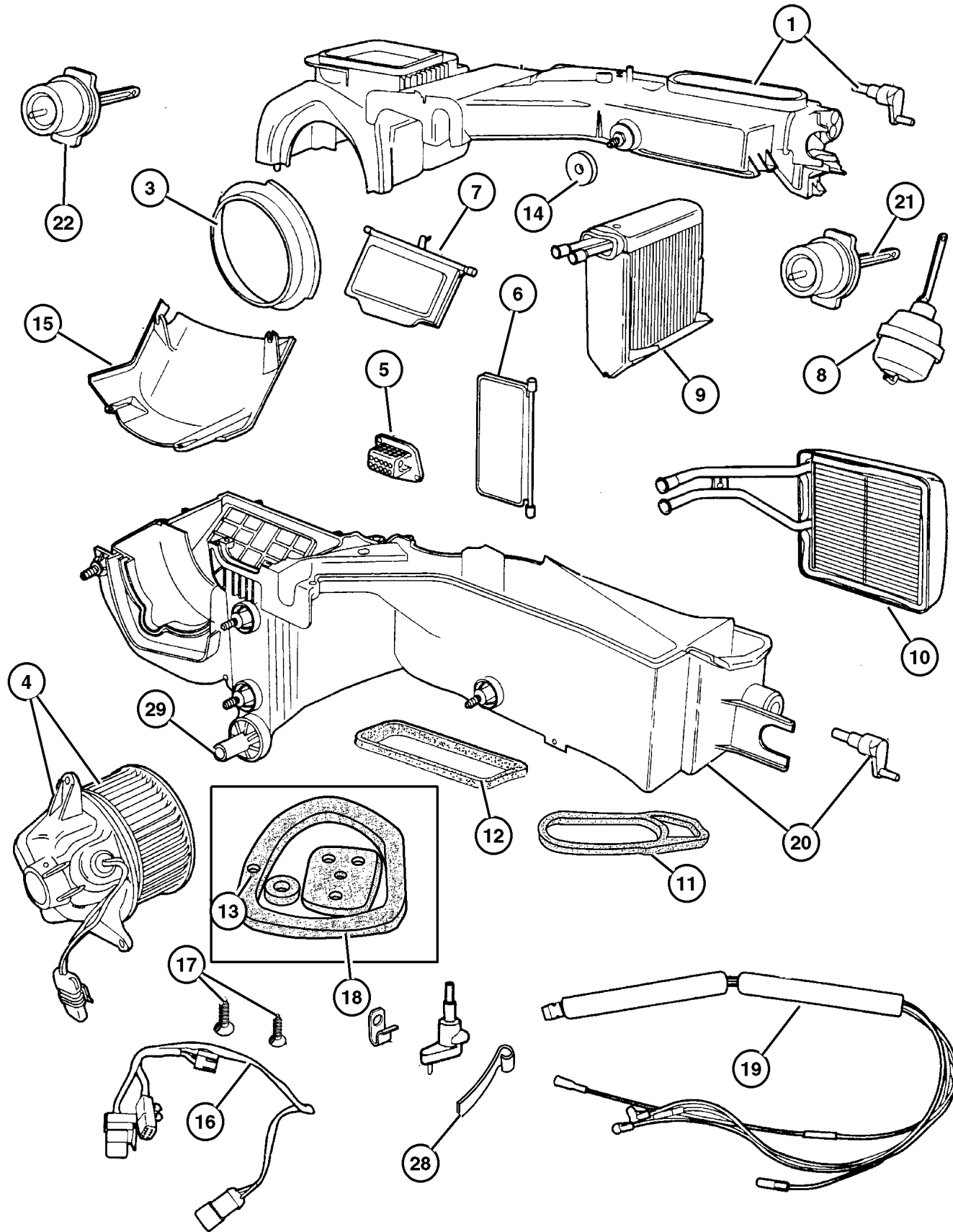
JEEP CHEROKEE (XJ)

SERIES	LINE	BODY	ENGINE	TRANSMISSION
P = Limited	J = LHD (4WD)	74=4 Dr. (101.4 WB)	ENC, EN0 = 2.5L 4 Cyl Turbo	DDD = 5 Speed Manual
S = Limited	U = RHD (4WD)	72=2 Dr. (101.4 WB)	ERH, ER0 = 4.0L Power Tech	DGS = 4 Speed Auto AISIN
H = Sport	T = LHD (2WD)			DG0 = All Automatic Trans
L = SE	B = RHD (2WD)			DBB = All Manual Trans

AR = Use as required - = Non illustrated part # = New this model year

May 2, 2002

Hevac Unit
Figure 024-110



ITEM	PART NUMBER	QTY	LINE	BODY	ENGINE	DESCRIPTION
	4874 078	1	J, T			
	4874 079	1	B, U			
16	5013 744AA	1	J, T			WIRING, Air Conditioning Module
		1	B, U			
17	4734 227	15	J, T			SCREW, Hex Head, M4.8-1.59x19
18	4644 388	4	J, T			CLIP, A/C Heater Housing
		4	B, U			
19	4883 888AC	1	J, T			HARNES, Heater Vacuum
		1	B, U			
20						HOUSING, A/C Lower
	5013 735AA	1	J, T			
	5013 738AA	1	B, U			
21	4864 995	1	J, T			ACTUATOR, Vacuum
		1	B, U			
22	4864 996	1	J, T			ACTUATOR, Vacuum
		1	B, U			Recirculating Door
						Recirculating Door
-23	5013 741AA	1	J, T			ACTUATOR, Blend Door
		1	B, U			
-24						ADAPTER, Blend Door, A/C and Heater
	5013 742AA	1	J, T			
	5013 743AA	1	B, U			
-25	5013 744AA	1	J, T			WIRING, Air Conditioning Module
		1	B, U			
-26	5013 745AA	1	J, T			BRACKET, Blend Door Adapter, A/C and Heater
-27	5014 108AA	1	J, T			LEVER, Defroster Door
28						SPRING, A/C Heater Mode Door, (NOT REQUIRED)
29	56000 724AB	1				TUBE, Evaporator Housing

JEEP CHEROKEE (XJ)

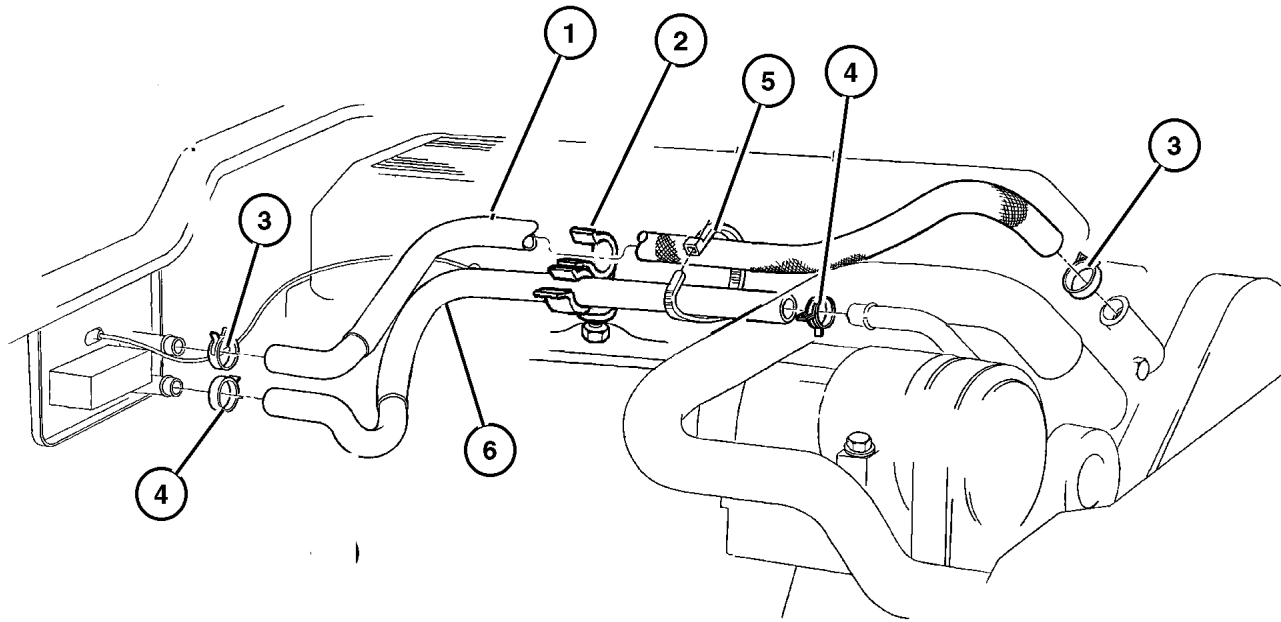
SERIES	LINE	BODY	ENGINE	TRANSMISSION
P = Limited	J = LHD (4WD)	74=4 Dr. (101.4 WB)	ENC, EN0 = 2.5L 4 Cyl Turbo	DDD = 5 Speed Manual
S = Limited	U = RHD (4WD)	72=2 Dr. (101.4 WB)	ERH, ER0 = 4.0L Power Tech	DGS = 4 Speed Auto AISIN
H = Sport	T = LHD (2WD)			DG0 = All Automatic Trans
L = SE	B = RHD (2WD)			DBB = All Manual Trans

AR = Use as required - = Non illustrated part # = New this model year

May 2, 2002

**Plumbing, Heater 4.0L Engine,LHD
Figure 024-210**

ITEM	PART NUMBER	QTY	LINE	BODY	ENGINE	DESCRIPTION
Note: Sales Code EN0 = All Turbo Diesel Engines Shocks----Check VIN Number for The Type of 'Z' Code Springs are on The Truck						
Note: Sales Code EP0 = All 2.5L Gas Engines Shocks----Check VIN Number for The Type of 'Z' Code Springs are on The Truck						
Note: Sales Code ER0 = All 4.0L Engines Shocks----Check VIN Number for The Type of 'Z' Code Springs are on The Truck						
1						HOSE, Heater Supply
	55036 925AC	1	J, T		EP0	
	55037 326AC	1	J, T		ER0	
2	55035 933AB	1	J, T		EP0, ER0	BRACKET, Hose
3	6502 018	1			EN0	CLAMP, Hose, M28.9 x 1.60
4	6502 017	1	J, T		EP0	CLAMP, Heater Hose
5	4641 780	1				STRAP, Tie
6	55036 926AC	1	J, T		EP0	HOSE, Heater Return

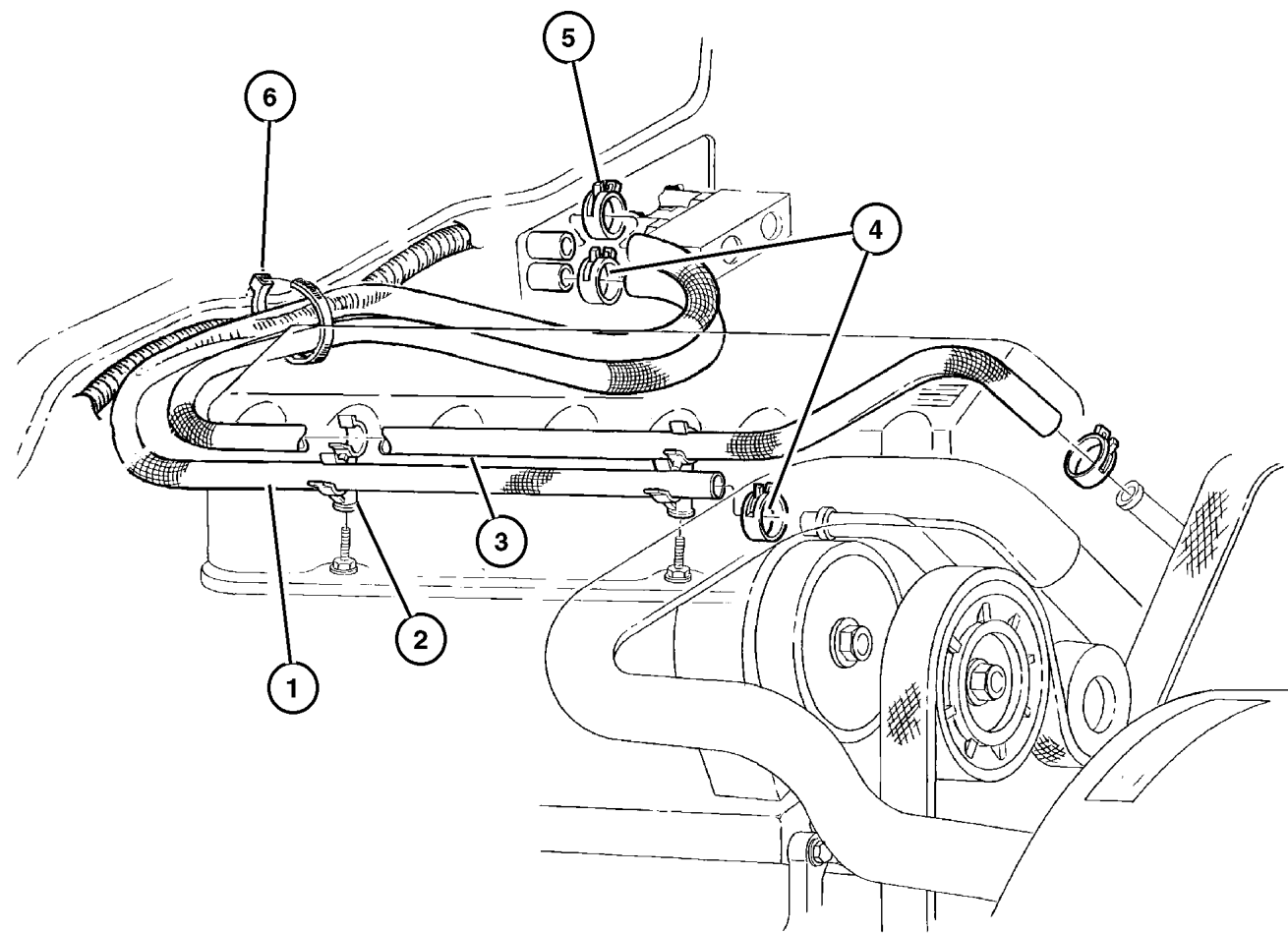


JEEP CHEROKEE (XJ)				
SERIES	LINE	BODY	ENGINE	TRANSMISSION
P = Limited	J = LHD (4WD)	74=4 Dr. (101.4 WB)	ENC, EN0 = 2.5L 4 Cyl Turbo	DDD = 5 Speed Manual
S = Limited	U = RHD (4WD)	72=2 Dr. (101.4 WB)	ERH, ER0 = 4.0L Power Tech	DGS = 4 Speed Auto AISIN
H = Sport	T = LHD (2WD)			DG0 = All Automatic Trans
L = SE	B = RHD (2WD)			DBB = All Manual Trans

AR = Use as required - = Non illustrated part # = New this model year

May 2, 2002

Plumbing, Heater 4.0L Engine, RHD
Figure 024-220



ITEM	PART NUMBER	QTY	LINE	BODY	ENGINE	DESCRIPTION
Note: Sales Code EP0 = 2.5L Gas Engine Shocks----Check VIN Number for The Type of 'Z' Code Springs are on The Truck						
Note: Sales Code ER0 = 4.0L Engine Shocks----Check VIN Number for The Type of 'Z' Code Springs are on The Truck						
1						HOSE, Heater Return
	55037 333AC	1	B, U		ER0	
	55037 334AC	1	B, U		EP0	
2	55035 933AB	2	B, U		EP0, ER0	BRACKET, Hose
3						HOSE, Heater Supply
	55037 268AC	1	B, U		EP0	
	55037 269AC	1	B, U		ER0	
4						CLAMP, Heater Hose
	6502 017	2	B, U		ER0	
		2	B, U		EP0	
5	6502 018	1			EN0	CLAMP, Hose, M28.9 x 1.60
6	4641 780	1				STRAP, Tie

JEEP CHEROKEE (XJ)				
SERIES	LINE	BODY	ENGINE	TRANSMISSION
P = Limited	J = LHD (4WD)	74=4 Dr. (101.4 WB)	ENC, EN0 = 2.5L 4 Cyl Turbo	DDD = 5 Speed Manual
S = Limited	U = RHD (4WD)	72=2 Dr. (101.4 WB)	ERH, ER0 = 4.0L Power Tech	DGS = 4 Speed Auto AISIN
H = Sport	T = LHD (2WD)			DG0 = All Automatic Trans
L = SE	B = RHD (2WD)			DBB = All Manual Trans

AR = Use as required - = Non illustrated part # = New this model year

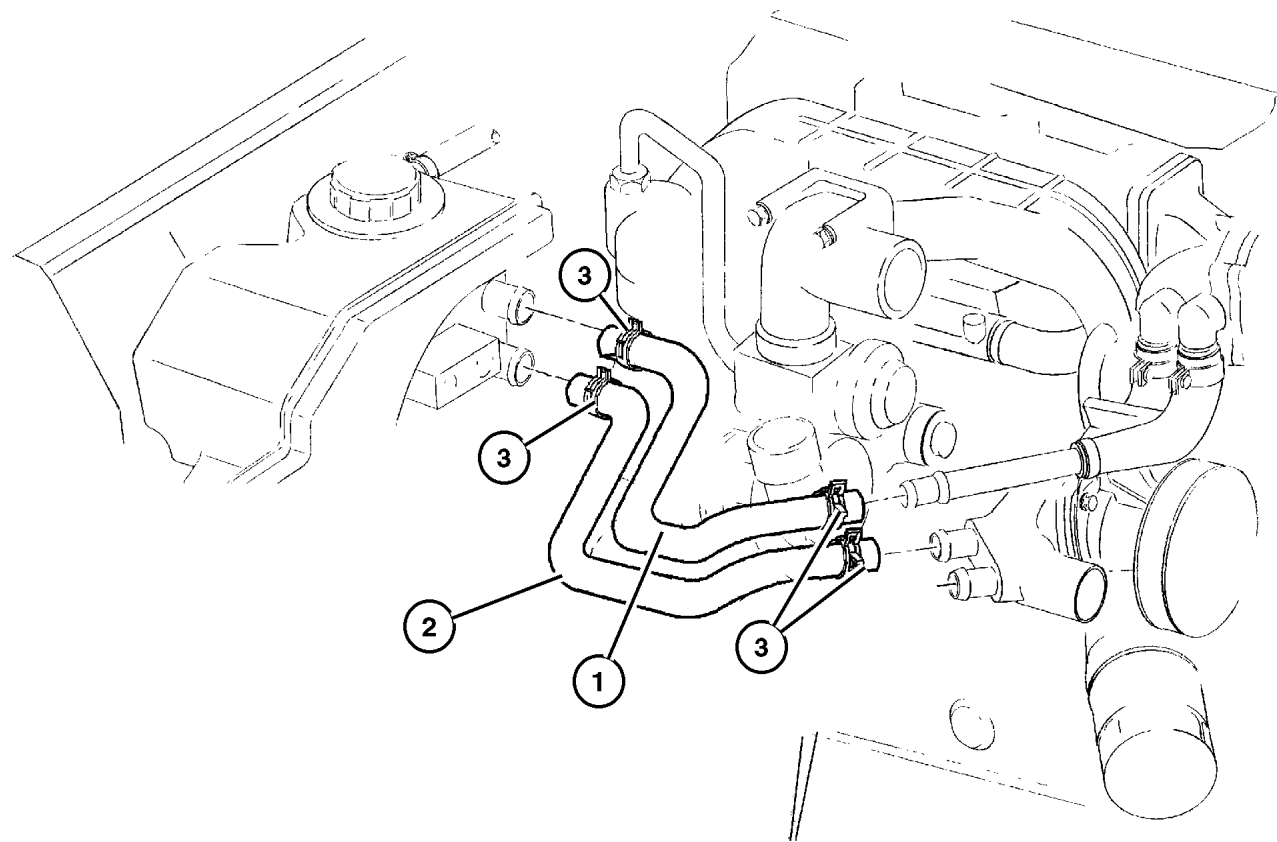
May 2, 2002

Plumbing, Heater 2.5L Diesel Engine, LHD
Figure 024-230

ITEM	PART NUMBER	QTY	LINE	BODY	ENGINE	DESCRIPTION
------	-------------	-----	------	------	--------	-------------

Note: Sales Code EN0 = 2.5L Diesel Engine Shocks----Check VIN Number for The Type of 'Z' Code Springs are on The Truck

1	5503 7301	1	J, T		EN0	HOSE, Heater Supply
2	5503 7319	1	J, T		EN0	HOSE, Heater Return
3	6502 017	2	B, U		EN0	CLAMP, Heater Hose



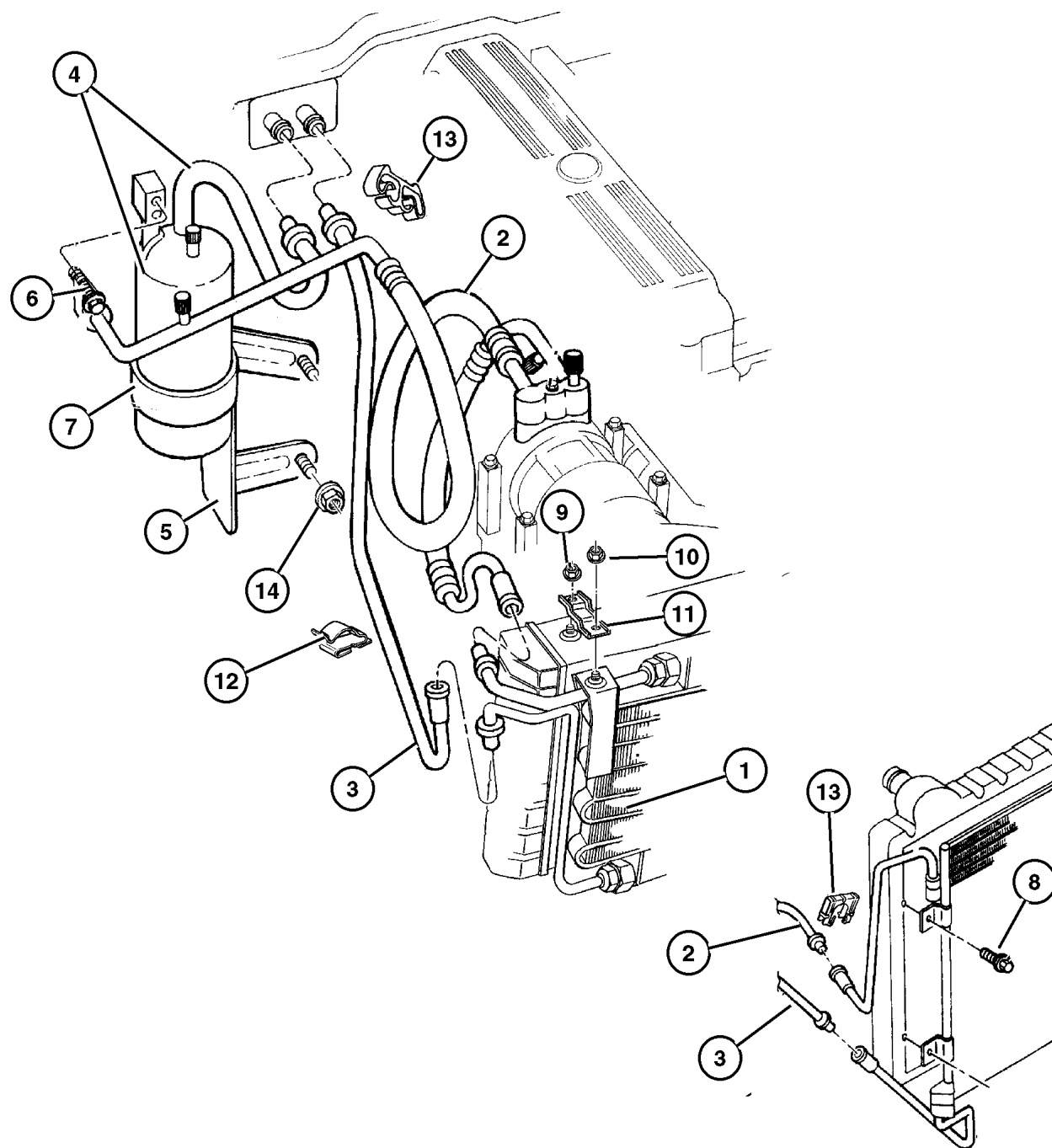
JEEP CHEROKEE (XJ)

SERIES	LINE	BODY	ENGINE	TRANSMISSION
P = Limited	J = LHD (4WD)	74=4 Dr. (101.4 WB)	ENC, EN0 = 2.5L 4 Cyl Turbo	DDD = 5 Speed Manual
S = Limited	U = RHD (4WD)	72=2 Dr. (101.4 WB)	ERH, ER0 = 4.0L Power Tech	DGS = 4 Speed Auto AISIN
H = Sport	T = LHD (2WD)			DG0 = All Automatic Trans
L = SE	B = RHD (2WD)			DBB = All Manual Trans

AR = Use as required - = Non illustrated part # = New this model year

May 2, 2002

**Plumbing, Air Conditioning 4.0L Engine, LHD
Figure 024-250**



ITEM	PART NUMBER	QTY	LINE	BODY	ENGINE	DESCRIPTION
Note: Sales Code EN0 = All Turbo Diesel Engines Shocks----Check VIN Number for The Type of 'Z' Code Springs are on The Truck						
Note: Sales Code EP0 = All 2.5L Gas Engines Shocks----Check VIN Number for The Type of 'Z' Code Springs are on The Truck						
Note: Sales Code ER0 = All 4.0L Engines Shocks----Check VIN Number for The Type of 'Z' Code Springs are on The Truck						
1						CONDENSER, A/C
	55036 595AD	1	J, T		EP0, ER0	
	55037 434AA	1	B, U		EP0, ER0	
2						LINE, A/C Suction & Discharge
	55037 492AA	1	J, T		EP0	
	55037 570AA	1	J, T		ER0	
3						LINE, A/C Liquid
	55036 632AC	1	J, T		ER0	
	55037 218AC	1	B, U		ER0	
	55037 495AA	1	B, U		EP0	Evaporator Out
	55037 496AA	1	B, U		EP0	Evaporator In
	55037 554AA	1	J, T		EP0	
4						ACCUMULATOR, Suction Line
	55037 569AA	1	J, T		ER0	
	55036 649AD	1	B, U		EN0, ER0	
5	5503 6619	1	J, T		EP0, ER0	BRACKET, Accumulator
6	6101 695	2				NUT, Hex Flange Lock, M8x1.25
7	55037 431AB	1	J, T		EP0, ER0	BAND, Accumulator Retaining
8						BOLT AND CONED WASHER, Hex Head, M8x30x20, (NOT SERVICED)
9	6503 226	4				NUT, Hex Flange, M5x.8
10	6100 814	2				NUT, Hex, M6
11						BRACKET, Radiator to Condenser
	5600 2231	2	B, U		ER0	
		2	J, T		EP0, ER0	
12	5503 7289	1			ER0	CLIP, A/C Liquid Line
13						CLIP, A/C Quick Disconnect
	4596 152	3	J, T		ER0	
		4	B, U		ER0	
14	6504 997AA	3	J, T			SCREW
-15	4796 667	1	J, T		ER0	O RING, A/C Suction Line
-16						O RING, A/C Liquid Line

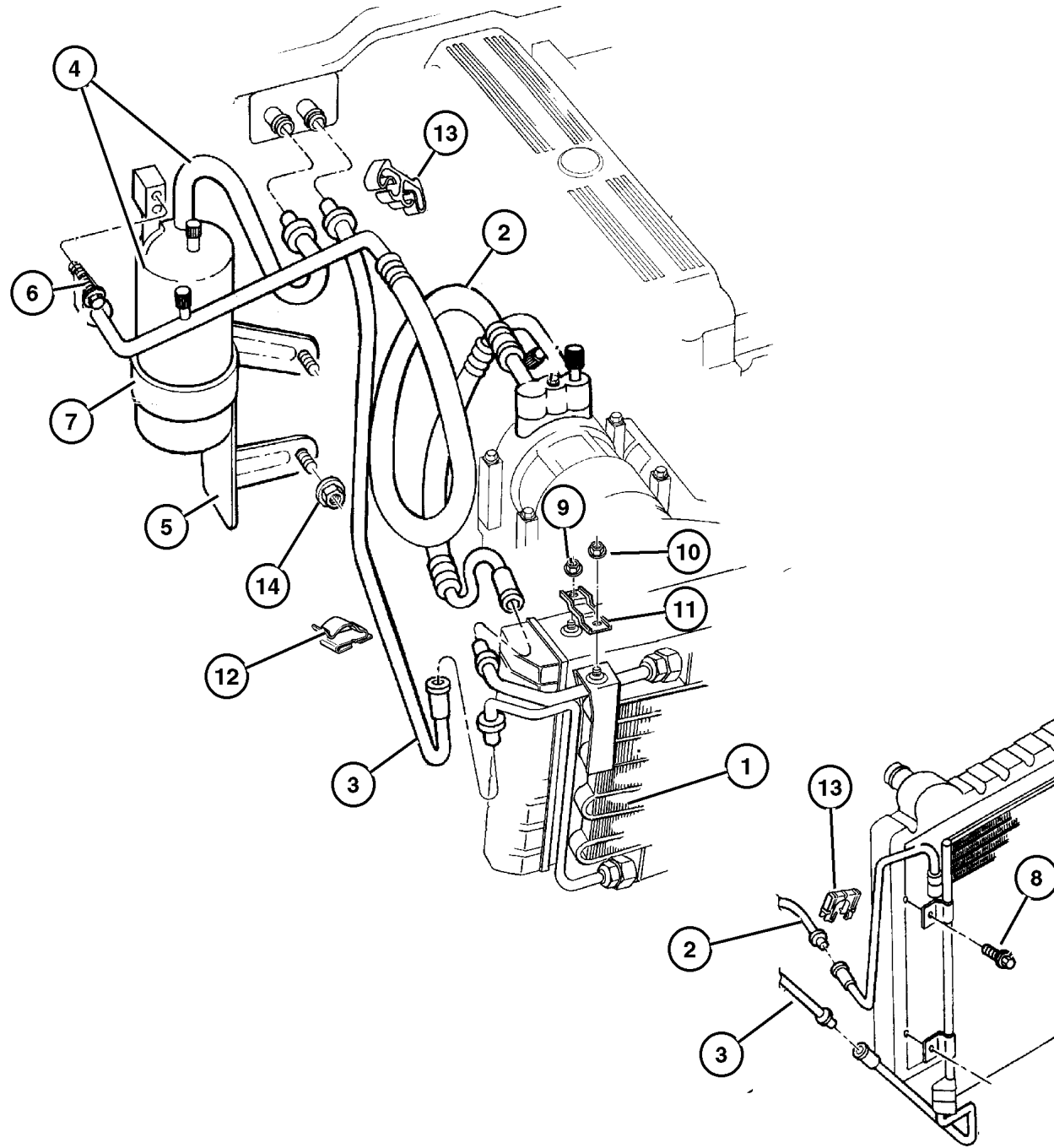
JEEP CHEROKEE (XJ)

SERIES	LINE	BODY	ENGINE	TRANSMISSION
P = Limited	J = LHD (4WD)	74=4 Dr. (101.4 WB)	ENC, EN0 = 2.5L 4 Cyl Turbo	DDD = 5 Speed Manual
S = Limited	U = RHD (4WD)	72=2 Dr. (101.4 WB)	ERH, ER0 = 4.0L Power Tech	DGS = 4 Speed Auto AISIN
H = Sport	T = LHD (2WD)			DG0 = All Automatic Trans
L = SE	B = RHD (2WD)			DBB = All Manual Trans

AR = Use as required - = Non illustrated part # = New this model year

May 2, 2002

Plumbing, Air Conditioning 4.0L Engine, LHD
Figure 024-250



ITEM	PART NUMBER	QTY	LINE	BODY	ENGINE	DESCRIPTION
	4741 705	2	J, T		ER0	
		2	J, T		EPO	
		4	B, U		EPO	
-17	4897 617AA	1	J, T		EPO	SWITCH, A/C High Pressure Cut Off
-18	4882 334	1	J, T		EPO	VALVE, A/C Discharge Line Check
-19	4882 335	1	J, T		EPO	CAP, A/C Check Valve
-20						VALVE CORE, Service Port, (NOT SERVICED)
-21	4728 856	1	J, T		EPO	SPRING, Quick Disconnect

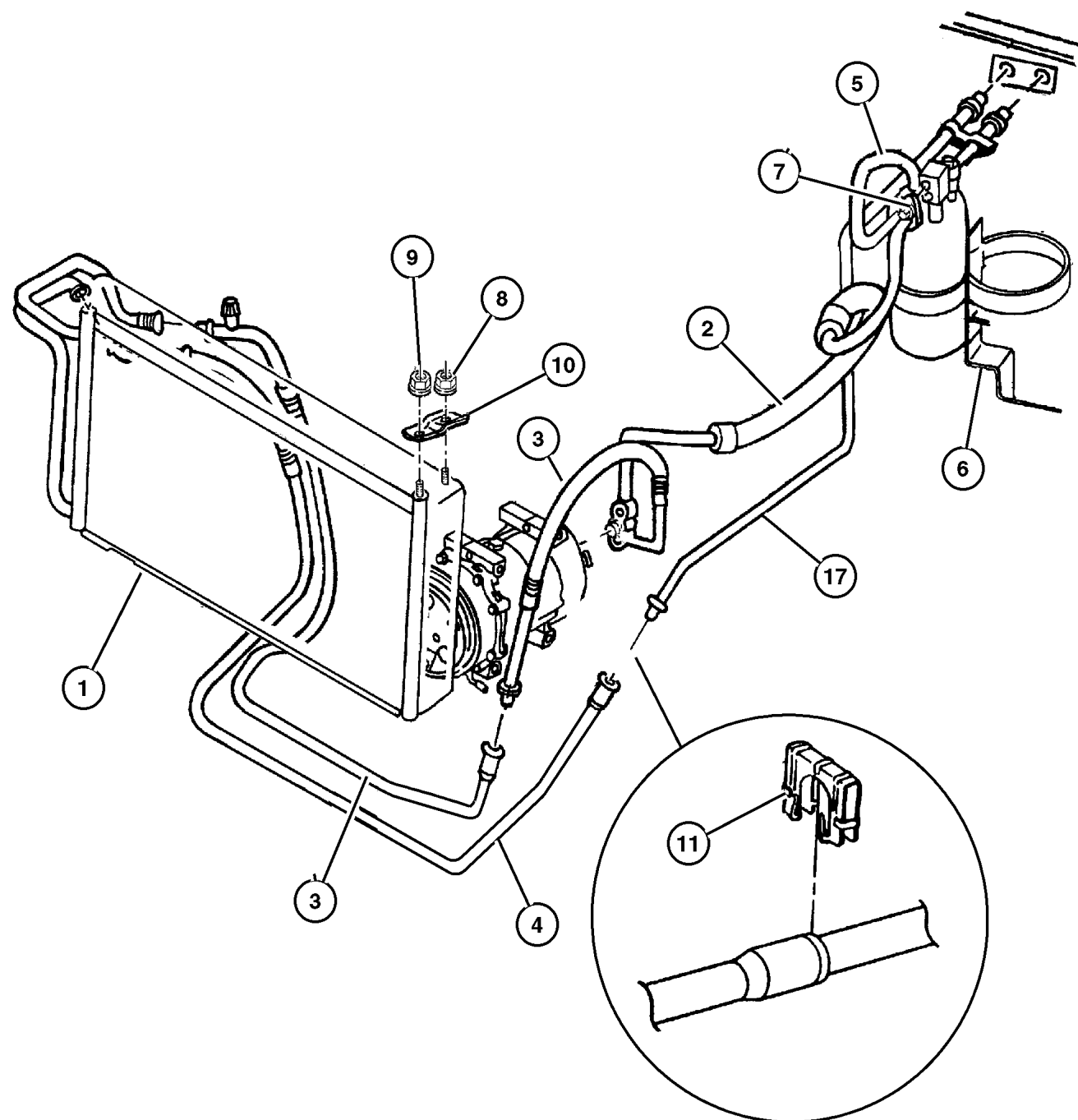
JEEP CHEROKEE (XJ)

SERIES	LINE	BODY	ENGINE	TRANSMISSION
P = Limited	J = LHD (4WD)	74=4 Dr. (101.4 WB)	ENC, EN0 = 2.5L 4 Cyl Turbo	DDD = 5 Speed Manual
S = Limited	U = RHD (4WD)	72=2 Dr. (101.4 WB)	ERH, ER0 = 4.0L Power Tech	DGS = 4 Speed Auto AISIN
H = Sport	T = LHD (2WD)			DG0 = All Automatic Trans
L = SE	B = RHD (2WD)			DBB = All Manual Trans

AR = Use as required - = Non illustrated part # = New this model year

May 2, 2002

Plumbing, Air Conditioning, 4.0L Engine, RHD
Figure 024-270



ITEM	PART NUMBER	QTY	LINE	BODY	ENGINE	DESCRIPTION
Note: Sales Code EN0 = All Turbo Diesel Engines Shocks----Check VIN Number for The Type of 'Z' Code Springs are on The Truck						
Note: Sales Code EP0 = All 2.5L Gas Engines Shocks----Check VIN Number for The Type of 'Z' Code Springs are on The Truck						
Note: Sales Code ER0 = All 4.0L Engines Shocks----Check VIN Number for The Type of 'Z' Code Springs are on The Truck						
1	55037 434AA	1	B, U		EP0, ER0	CONDENSER, A/C
2	55037 748AA	1	B, U		ER0	LINE, A/C Suction & Discharge
3	55037 559AA	1	B, U		ER0	LINE, A/C Discharge
4	55036 633AC	1	B, U		ER0	LINE, A/C Liquid
5						ACCUMULATOR, Suction Line
	55036 649AD	1	B, U		EN0, ER0	
	55037 569AA	1	J, T		ER0	
6	55036 620AD	1	B, U		ER0	BRACKET, Accumulator
7						BOLT, Hex Flange Head, M8x1.25x30, (NOT SERVICED)
8	1150 2722	2			EN0, ER0	NUT, Hex Flange, M5x.8
9	6100 814	2				NUT, Hex, M6
10	5600 2231	2	J, T		EP0, ER0	BRACKET, Radiator to Condenser
11						CLIP, A/C Quick Disconnect
	4596 152	4	B, U		ER0	Discharge
	4596 153	1				Suction Line
-12	5015 792AA	1	B, U		ER0	SWITCH, A/C High Pressure Cut Off
-13	4796 667	2	B, U		ER0	O RING, A/C Suction Line
-14						VALVE, A/C Discharge Line Check
	4723 029	2	B, U		ER0	
		1	J, T		ER0	
-15						CAP, A/C Check Valve
	4720 748	1	B, U		ER0	
		1	J, T		ER0	
-16						VALVE CORE, Service Port, (NOT SERVICED)
17	55036 632AC	1	J, T		ER0	LINE, A/C Liquid
-18	5503 7347	1	B, U		ER0	JUNCTION BLOCK, Air Conditioning Lines

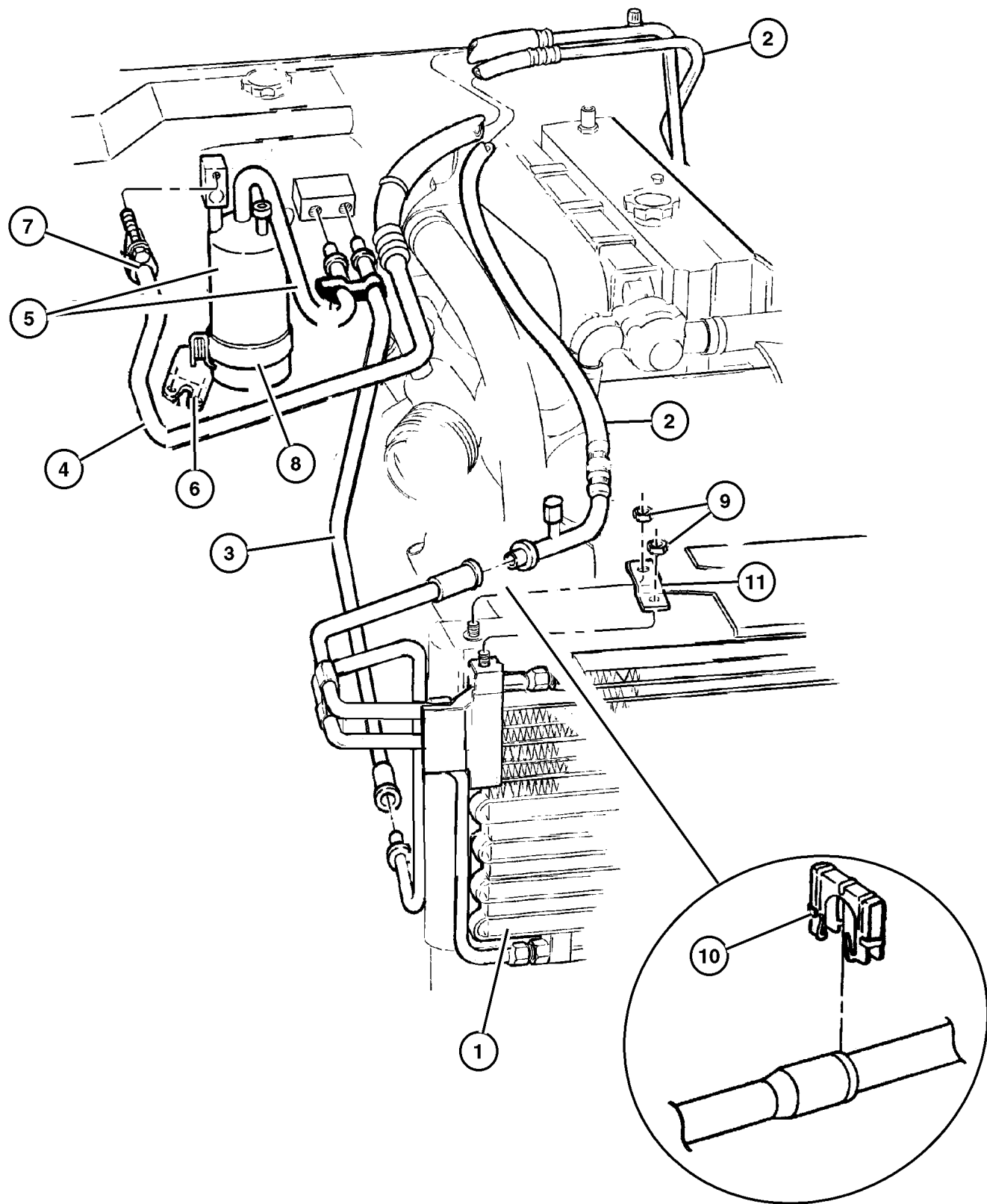
JEEP CHEROKEE (XJ)

SERIES	LINE	BODY	ENGINE	TRANSMISSION
P = Limited	J = LHD (4WD)	74=4 Dr. (101.4 WB)	ENC, EN0 = 2.5L 4 Cyl Turbo	DDD = 5 Speed Manual
S = Limited	U = RHD (4WD)	72=2 Dr. (101.4 WB)	ERH, ER0 = 4.0L Power Tech	DGS = 4 Speed Auto AISIN
H = Sport	T = LHD (2WD)			DG0 = All Automatic Trans
L = SE	B = RHD (2WD)			DBB = All Manual Trans

AR = Use as required - = Non illustrated part # = New this model year

May 2, 2002

Plumbing, Air Conditioning, 2.5L Diesel Engine, LHD
Figure 024-280



ITEM	PART NUMBER	QTY	LINE	BODY	ENGINE	DESCRIPTION
Note: Sales Code EN0 = All Turbo Diesel Engines Shocks----Check VIN Number for The Type of 'Z' Code Springs are on The Truck						
Note: Sales Code EP0 = All 2.5L Gas Engines Shocks----Check VIN Number for The Type of 'Z' Code Springs are on The Truck						
Note: Sales Code ER0 = All 4.0L Engines Shocks----Check VIN Number for The Type of 'Z' Code Springs are on The Truck						
1	55036 599AB	1			EN0	CONDENSER, A/C
2	55037 366AB	1	J, T		EN0	LINE, A/C Suction
3	5503 6650	1	J, T		EN0	LINE, A/C Liquid
4	55037 557AA	1	J, T		EN0	LINE, A/C Discharge
5	55036 648AF	1	J, T		EN0	ACCUMULATOR, Suction Line
6	5503 6646	1	J, T		EN0	BRACKET, Accumulator
7						BOLT, Hex Flange Head, M8x1.25x30, (NOT SERVICED)
8	55037 410AB	1	J, T		EN0	BAND, Accumulator Retaining
9	6100 814	2				NUT, Hex, M6
10	4596 152	3			EN0	CLIP, A/C Quick Disconnect
11	5600 2231	2			EN0	BRACKET, Radiator to Condenser
-12	4740 401	2	B, U		EP0	O RING, A/C Suction Line
-13	4723 029	2	J, T		EN0	VALVE, A/C Discharge Line Check
-14						VALVE CORE, Service Port, (NOT SERVICED)

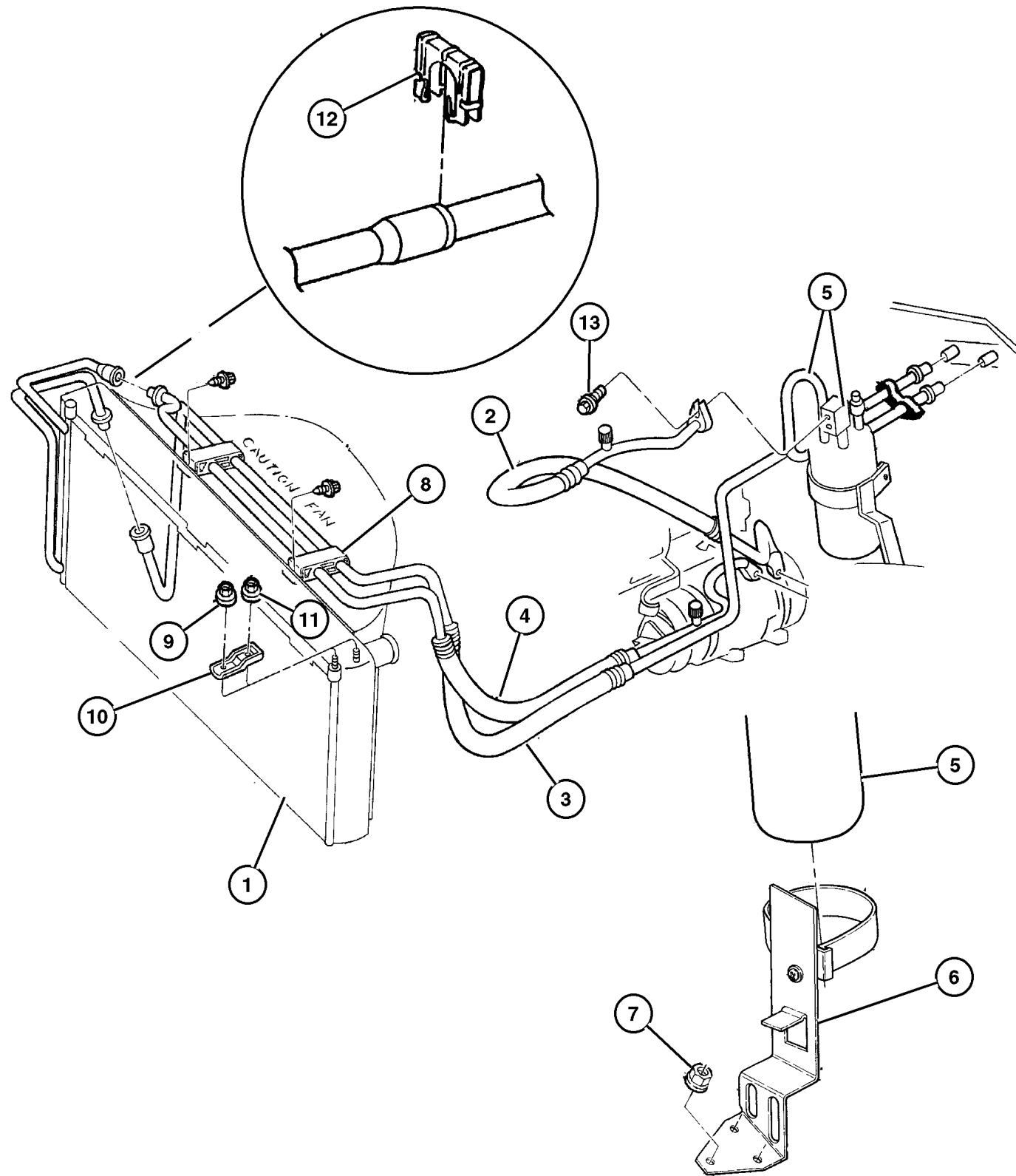
JEEP CHEROKEE (XJ)

SERIES	LINE	BODY	ENGINE	TRANSMISSION
P = Limited	J = LHD (4WD)	74=4 Dr. (101.4 WB)	ENC, EN0 = 2.5L 4 Cyl Turbo	DDD = 5 Speed Manual
S = Limited	U = RHD (4WD)	72=2 Dr. (101.4 WB)	ERH, ER0 = 4.0L Power Tech	DGS = 4 Speed Auto AISIN
H = Sport	T = LHD (2WD)			DG0 = All Automatic Trans
L = SE	B = RHD (2WD)			DBB = All Manual Trans

AR = Use as required - = Non illustrated part # = New this model year

May 2, 2002

Plumbing, Air Conditioning, 2.5L Diesel Engine, RHD
Figure 024-290



ITEM	PART NUMBER	QTY	LINE	BODY	ENGINE	DESCRIPTION
Note: Sales Code EN0 = All Turbo Diesel Engines Shocks----Check VIN Number for The Type of 'Z' Code Springs are on The Truck						
Note: Sales Code EP0 = All 2.5L Gas Engines Shocks----Check VIN Number for The Type of 'Z' Code Springs are on The Truck						
Note: Sales Code ER0 = All 4.0L Engines Shocks----Check VIN Number for The Type of 'Z' Code Springs are on The Truck						
1	55036 599AB	1			EN0	CONDENSER, A/C
2	55036 653AB	1	B, U		EN0	LINE, A/C Suction
3	55037 494AB	1	B, U		EN0	LINE, A/C Liquid
4	55037 560AA	1	B, U		EN0	LINE, A/C Discharge
5	55036 649AD	1	B, U		EN0,	ACCUMULATOR, Suction Line
6	55036 647AB	1	B, U		EN0	BRACKET, Accumulator
7	6033 560	1				NUT AND WASHER, Hex Nut-Coned Washer, .25-20
8	5503 7344	2	B, U		EN0	CLIP, Discharge Line
9	6100 814	2				NUT, Hex, M6
10	5600 2231	2			EN0	BRACKET, Radiator to Condenser
11	1150 2722	2			EN0,	NUT, Hex Flange, M5x.8
12	4596 152	3			EN0	CLIP, A/C Quick Disconnect
13						BOLT, Hex Flange Head, M8x1.25x30, (NOT SERVICED)
-14	4740 401	2	B, U		EP0	O RING, A/C Suction Line
-15	4723 029	1	B, U		EN0,	VALVE, A/C Discharge Line Check
-16	4882 335	1	B, U		EN0	CAP, A/C Check Valve
-17						VALVE CORE, Service Port, (NOT SERVICED)
-18	4728 856	1	B, U		EN0	SPRING, Quick Disconnect
-19	4741 705	2	B, U		EN0	O RING, A/C Liquid Line

JEEP CHEROKEE (XJ)

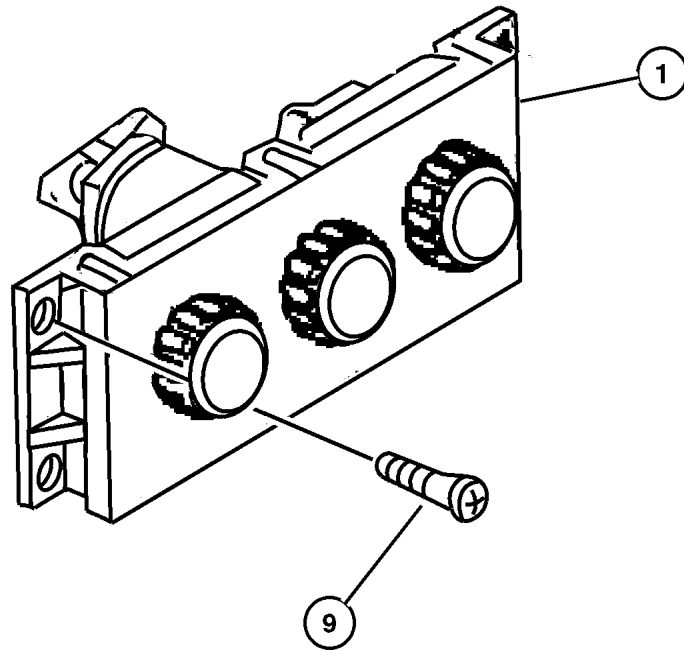
SERIES	LINE	BODY	ENGINE	TRANSMISSION
P = Limited	J = LHD (4WD)	74=4 Dr. (101.4 WB)	ENC, EN0 = 2.5L 4 Cyl Turbo	DDD = 5 Speed Manual
S = Limited	U = RHD (4WD)	72=2 Dr. (101.4 WB)	ERH, ER0 = 4.0L Power Tech	DGS = 4 Speed Auto AISIN
H = Sport	T = LHD (2WD)			DG0 = All Automatic Trans
L = SE	B = RHD (2WD)			DBB = All Manual Trans

AR = Use as required - = Non illustrated part # = New this model year

May 2, 2002

**Control, Heater and Air Conditioning
Figure 024-310**

ITEM	PART NUMBER	QTY	LINE	BODY	ENGINE	DESCRIPTION
Note: Sales Code EN0 = All Turbo Diesel Engines Shocks----Check VIN Number for The Type of 'Z' Code Springs are on The Truck						
Note: Sales Code EP0 = All 2.5L Gas Engines Shocks----Check VIN Number for The Type of 'Z' Code Springs are on The Truck						
Note: Sales Code ER0 = All 4.0L Engines Shocks----Check VIN Number for The Type of 'Z' Code Springs are on The Truck						
1	5011 343AB	1				CONTROL, A/C And Heater
-2	4882 861	3				KNOB, A/C And Heater Control - Slide
-3	55036 909AD	1	J, T		EP0	VACUUM HARNESS, Heater and A/C
	55037 565AB	1	J, T		ER0	
-4	5003 281AA	1				BULB, Heater and A/C Control
-5	5011 342AB	1				CONTROL, Heater
-6	4882 861	3				KNOB, A/C And Heater Control - Slide
-7	5011 340AB	1				HARNESS, Heater Vacuum
-8	5003 281AA	1				BULB, Heater and A/C Control
9	6032 723	2				SCREW, Self Tapping, M4.2x1.69x19.05
-10	4883 887AC	1	J, T			VACUUM HARNESS, Heater and A/C
		1	B, U			



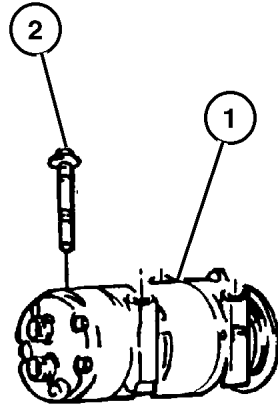
JEEP CHEROKEE (XJ)				
SERIES	LINE	BODY	ENGINE	TRANSMISSION
P = Limited	J = LHD (4WD)	74=4 Dr. (101.4 WB)	ENC, EN0 = 2.5L 4 Cyl Turbo	DDD = 5 Speed Manual
S = Limited	U = RHD (4WD)	72=2 Dr. (101.4 WB)	ERH, ER0 = 4.0L Power Tech	DGS = 4 Speed Auto AISIN
H = Sport	T = LHD (2WD)			DG0 = All Automatic Trans
L = SE	B = RHD (2WD)			DBB = All Manual Trans

AR = Use as required - = Non illustrated part # = New this model year

May 2, 2002

**Compressor, Air Conditioning, 4.0L Gas Engines
Figure 024-410**

ITEM	PART NUMBER	QTY	LINE	BODY	ENGINE	DESCRIPTION
Shocks----Check VIN Number for The Type of 'Z' Code Springs are on The Truck						
Note: Sales Code ER0 = 4.0L Engine Shocks----Check VIN Number for The Type of 'Z' Code Springs are on The Truck						
1	55037 205AI	1	J, T		ER0	COMPRESSOR, Air Conditioning
2						STUD, (NOT SERVICED)
-3						CLUTCH, A/C Compressor
	5015 314AA	1	J, T		ER0	
	5015 315AA	1	B, U		ER0	



JEEP CHEROKEE (XJ)				
SERIES	LINE	BODY	ENGINE	TRANSMISSION
P = Limited	J = LHD (4WD)	74=4 Dr. (101.4 WB)	ENC, EN0 = 2.5L 4 Cyl Turbo	DDD = 5 Speed Manual
S = Limited	U = RHD (4WD)	72=2 Dr. (101.4 WB)	ERH, ER0 = 4.0L Power Tech	DGS = 4 Speed Auto AISIN
H = Sport	T = LHD (2WD)			DG0 = All Automatic Trans
L = SE	B = RHD (2WD)			DBB = All Manual Trans

AR = Use as required - = Non illustrated part # = New this model year

May 2, 2002

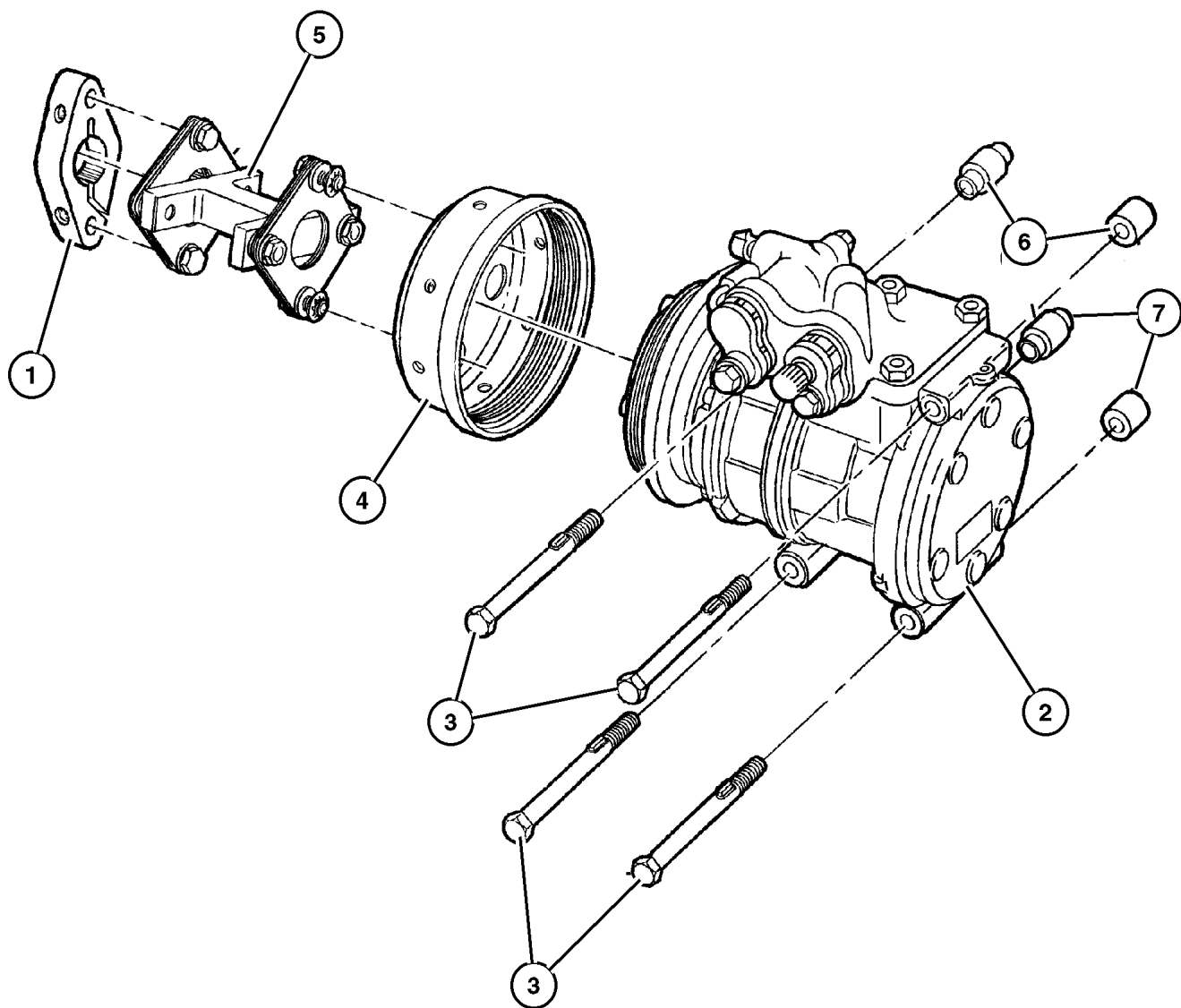
**Compressor, Air Conditioning, 2.5L Diesel Engine
Figure 024-415**

ITEM	PART NUMBER	QTY	LINE	BODY	ENGINE	DESCRIPTION
------	-------------	-----	------	------	--------	-------------

Note: Sales Code ENC = 2.5L 4 Cyl Turbo Diesel Engine Shocks----Check VIN Number for The Type of 'Z' Code Springs are on The Truck

Note: Sales Code EN0 = All Turbo Diesel Engines Shocks----Check VIN Number for The Type of 'Z' Code Springs are on The Truck

1	4864 600	1			EN0	FLANGE, Accessory Drive
2	55037 556AA	1			EN0	COMPRESSOR, Air Conditioning
3	6504 070	5			ENC	SCREW, M8-1.25
4	4797 754	1			EN0	CUP, A/C DRIVE
5	4797 720AB	1			EN0	SHAFT, Power Steering Pump
6	5503 6677	2			EN0	SPACER, A/C Compressor
7	5503 6678	2			EN0	SPACER, A/C Compressor



JEEP CHEROKEE (XJ)

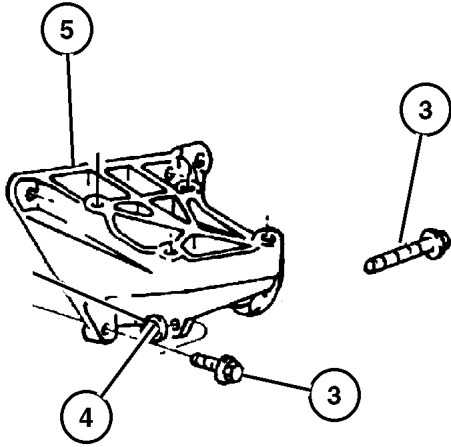
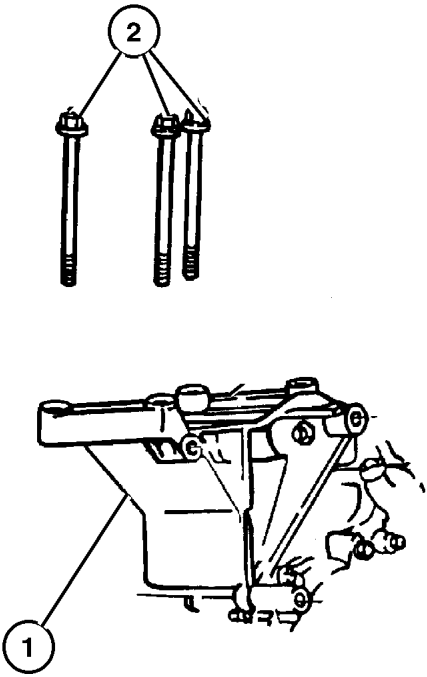
SERIES	LINE	BODY	ENGINE	TRANSMISSION
P = Limited	J = LHD (4WD)	74=4 Dr. (101.4 WB)	ENC, EN0 = 2.5L 4 Cyl Turbo	DDD = 5 Speed Manual
S = Limited	U = RHD (4WD)	72=2 Dr. (101.4 WB)	ERH, ER0 = 4.0L Power Tech	DGS = 4 Speed Auto AISIN
H = Sport	T = LHD (2WD)			DG0 = All Automatic Trans
L = SE	B = RHD (2WD)			DBB = All Manual Trans

AR = Use as required - = Non illustrated part # = New this model year

May 2, 2002

**Compressor Mounting
Figure 024-510**

ITEM	PART NUMBER	QTY	LINE	BODY	ENGINE	DESCRIPTION
Note: Sales Code EP0 = 2.5L Gas Engine Shocks----Check VIN Number for The Type of 'Z' Code Springs are on The Truck						
Note: Sales Code ER0 = 4.0L Engine Shocks----Check VIN Number for The Type of 'Z' Code Springs are on The Truck						
1						BRACKET, Alternator And Compressor, (NOT REQUIRED)
2	6502 957	1	J, T		ER0	BOLT, Hex Flange Head, M10-1.5x90.0
3	J400 7073	2				SCREW AND WASHER, .375-16x1.125
4	6502 135	1	J, T		ER0	NUT, Hex Flange, M10x1.5
5						BRACKET, A/C Compressor
	5301 0023	1	B, U		ER0	
	5301 1002	1	J, T		ER0	

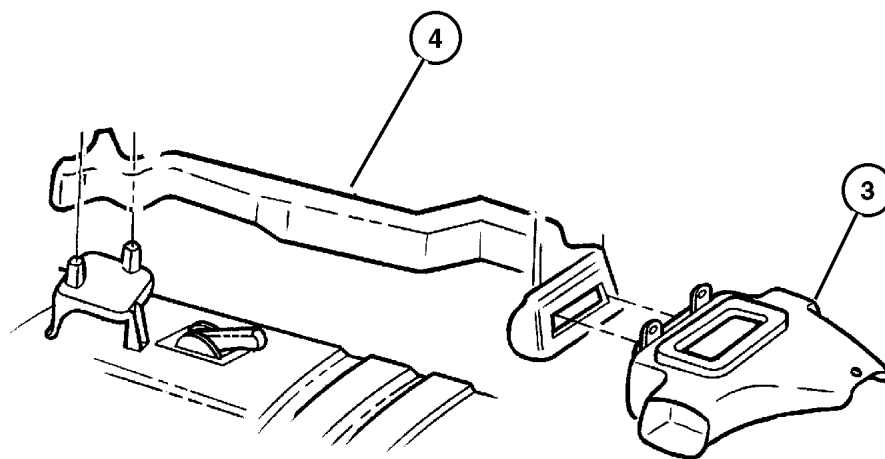
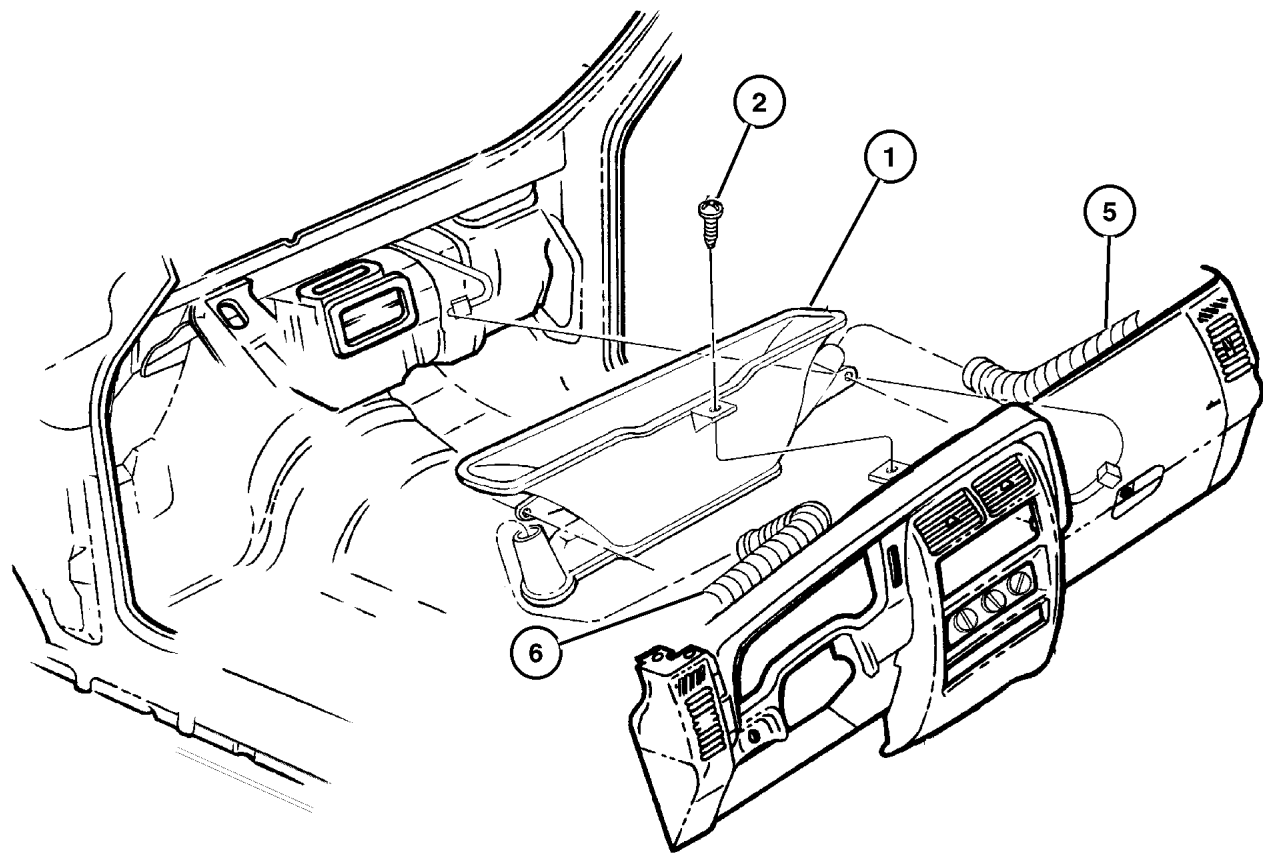


JEEP CHEROKEE (XJ)				
SERIES	LINE	BODY	ENGINE	TRANSMISSION
P = Limited	J = LHD (4WD)	74=4 Dr. (101.4 WB)	ENC, EN0 = 2.5L 4 Cyl Turbo	DDD = 5 Speed Manual
S = Limited	U = RHD (4WD)	72=2 Dr. (101.4 WB)	ERH, ER0 = 4.0L Power Tech	DGS = 4 Speed Auto AISIN
H = Sport	T = LHD (2WD)			DG0 = All Automatic Trans
L = SE	B = RHD (2WD)			DBB = All Manual Trans

AR = Use as required - = Non illustrated part # = New this model year

May 2, 2002

Air Distribution Ducts
Figure 024-610



ITEM	PART NUMBER	QTY	LINE	BODY	ENGINE	DESCRIPTION
1						DUCT, Defroster
	5503 6682	1	J, T			
	5503 6683	1	B, U			
2	6032 723	3				SCREW, Self Tapping, M4.2x1.69x19.05
3	5503 6869	1	J, T			DUCT, Floor Console
4	55036 789AB	1				DUCT, Rear Floor Heat
5						HOSE, Demister
	5511 5494	1	J, T			Right
		1	B, U			Right
6						HOSE, Demister
	5511 5495	1	J, T			Left
		1	B, U			Left
-7	5503 7040	1	B, U			DUCT, Demister, Right

JEEP CHEROKEE (XJ)				
SERIES	LINE	BODY	ENGINE	TRANSMISSION
P = Limited	J = LHD (4WD)	74=4 Dr. (101.4 WB)	ENC, EN0 = 2.5L 4 Cyl Turbo	DDD = 5 Speed Manual
S = Limited	U = RHD (4WD)	72=2 Dr. (101.4 WB)	ERH, ER0 = 4.0L Power Tech	DGS = 4 Speed Auto AISIN
H = Sport	T = LHD (2WD)			DG0 = All Automatic Trans
L = SE	B = RHD (2WD)			DBB = All Manual Trans

AR = Use as required - = Non illustrated part # = New this model year

May 2, 2002

Group – 025

Emission Systems

GROUP 25 - Emission Systems

Illustration Title

Group-Fig. No.

Emission Labels

Emission Labels Fig. 025-110

EGR System

EGR System 2.5 Diesel (ENC) Fig. 025-210

Vacuum Canister

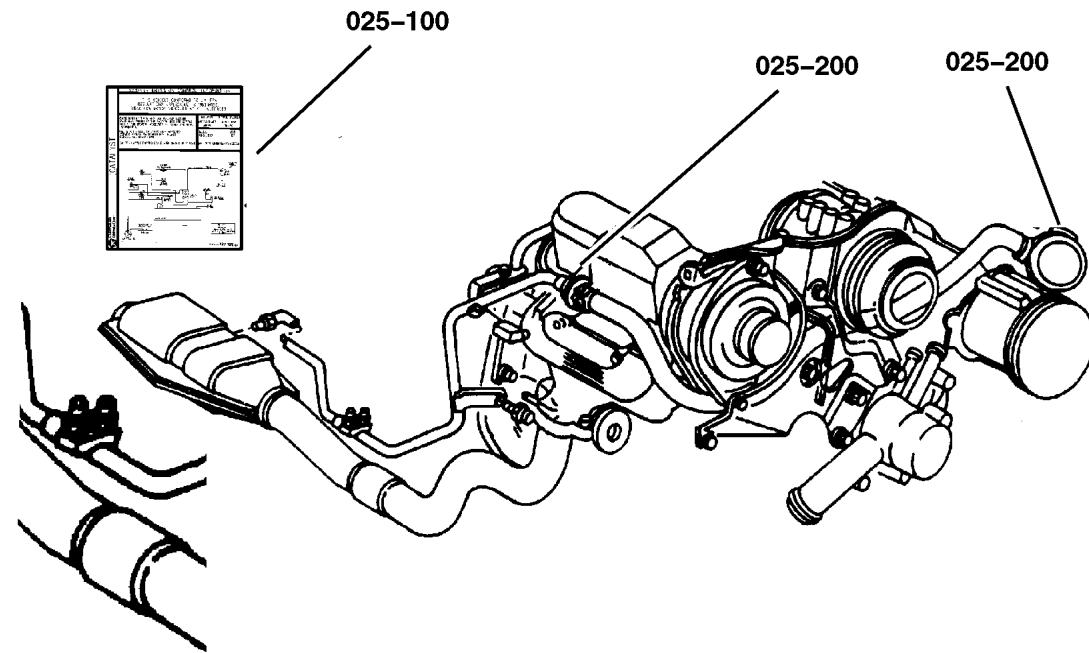
Vacuum Canister 4.0 (ERH) Fig. 025-310

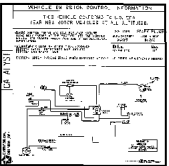
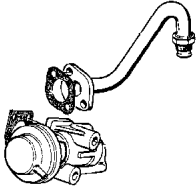
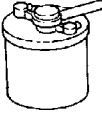
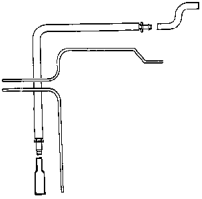
Emission Harness

Emission Control Vacuum Harness 4.0 (ERH) Fig. 025-410

Emission Control Vacuum Harness 2.5 Diesel (ENC) Fig. 025-420

Leak Detection Pump 4.0 (ERH) Fig. 025-430



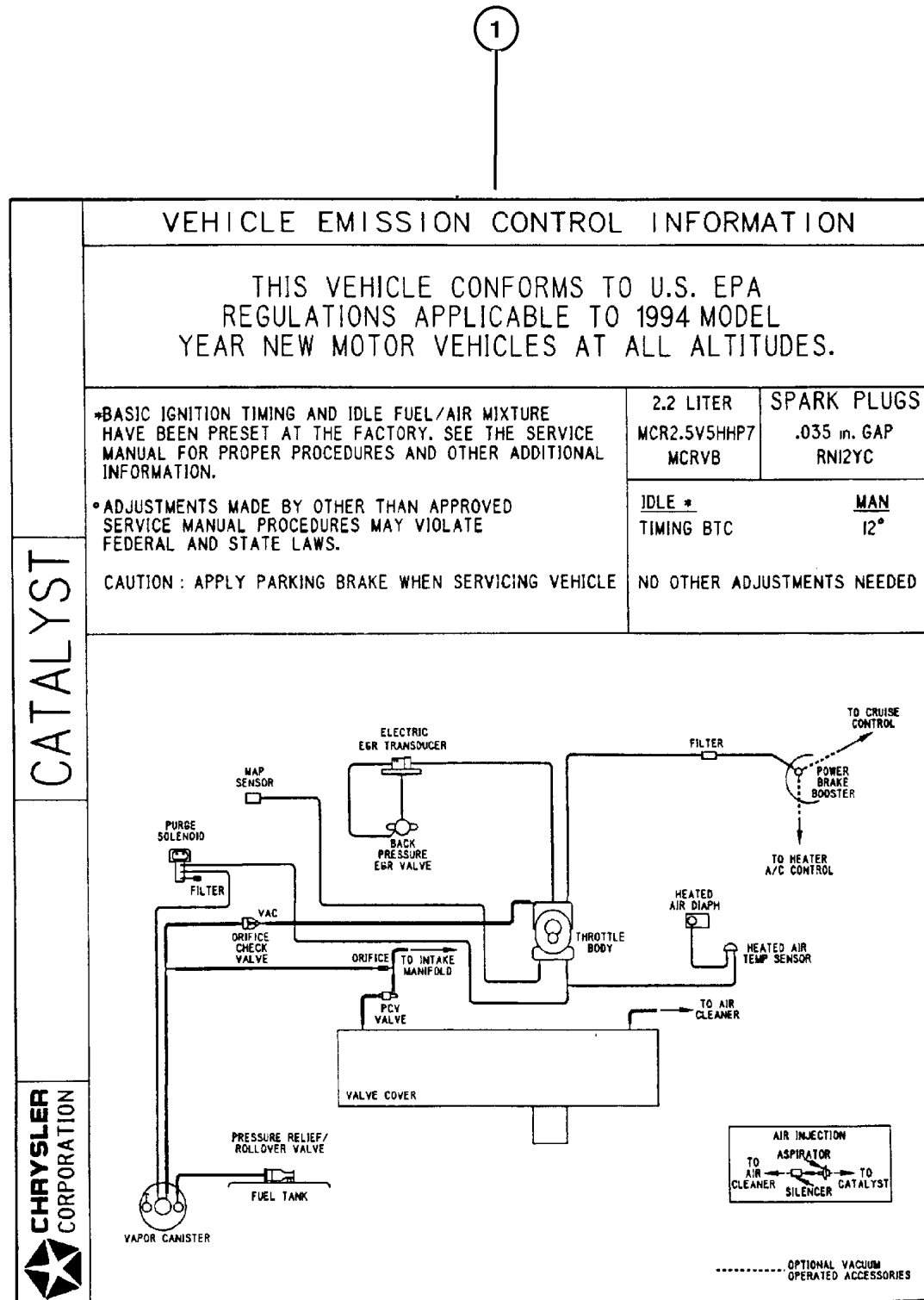
<p>025-100 Emission Labels</p> 	<p>025-200 EGR System</p> 	<p>025-300 Vacuum Canister</p> 	<p>025-400 Emission Harness</p> 
---	--	---	--

Emission Labels
Figure 025-110

ITEM	PART NUMBER	QTY	LINE	BODY	ENGINE	TRANS	DESCRIPTION
------	-------------	-----	------	------	--------	-------	-------------

Note: Sales Code ER0 = All 4.0L Gas Engines Shocks---Check VIN Number for The Type of 'Z' Code Springs are on The Truck
NOTE: Refer to VIN number option list for 'Z' code listings. Shocks---Check VIN Number for The Type of 'Z' Code Springs are on The Truck

1							LABEL, Emission
	#52109 710AA	1			ER0		U.S. 50 States With S/C Z5B
	#52109 711AA	1			ER0		U.S. 50 States With S/C Z1A and Z1B
	#52109 712AA	1			ER0		Canada With S/C Z5B
	#52109 713AA	1			ER0		Canada With S/C Z1A and Z1B



JEEP CHEROKEE (XJ)

SERIES	LINE	BODY	ENGINE	TRANSMISSION
P = Limited	J = LHD (4WD)	74=4 Dr. (101.4 WB)	ENC, EN0 = 2.5L 4 Cyl Turbo	DDD = 5 Speed Manual
S = Limited	U = RHD (4WD)	72=2 Dr. (101.4 WB)	ERH, ER0 = 4.0L Power Tech	DGS = 4 Speed Auto AISIN
H = Sport	T = LHD (2WD)			DG0 = All Automatic Trans
L = SE	B = RHD (2WD)			DBB = All Manual Trans

AR = Use as required - = Non illustrated part # = New this model year

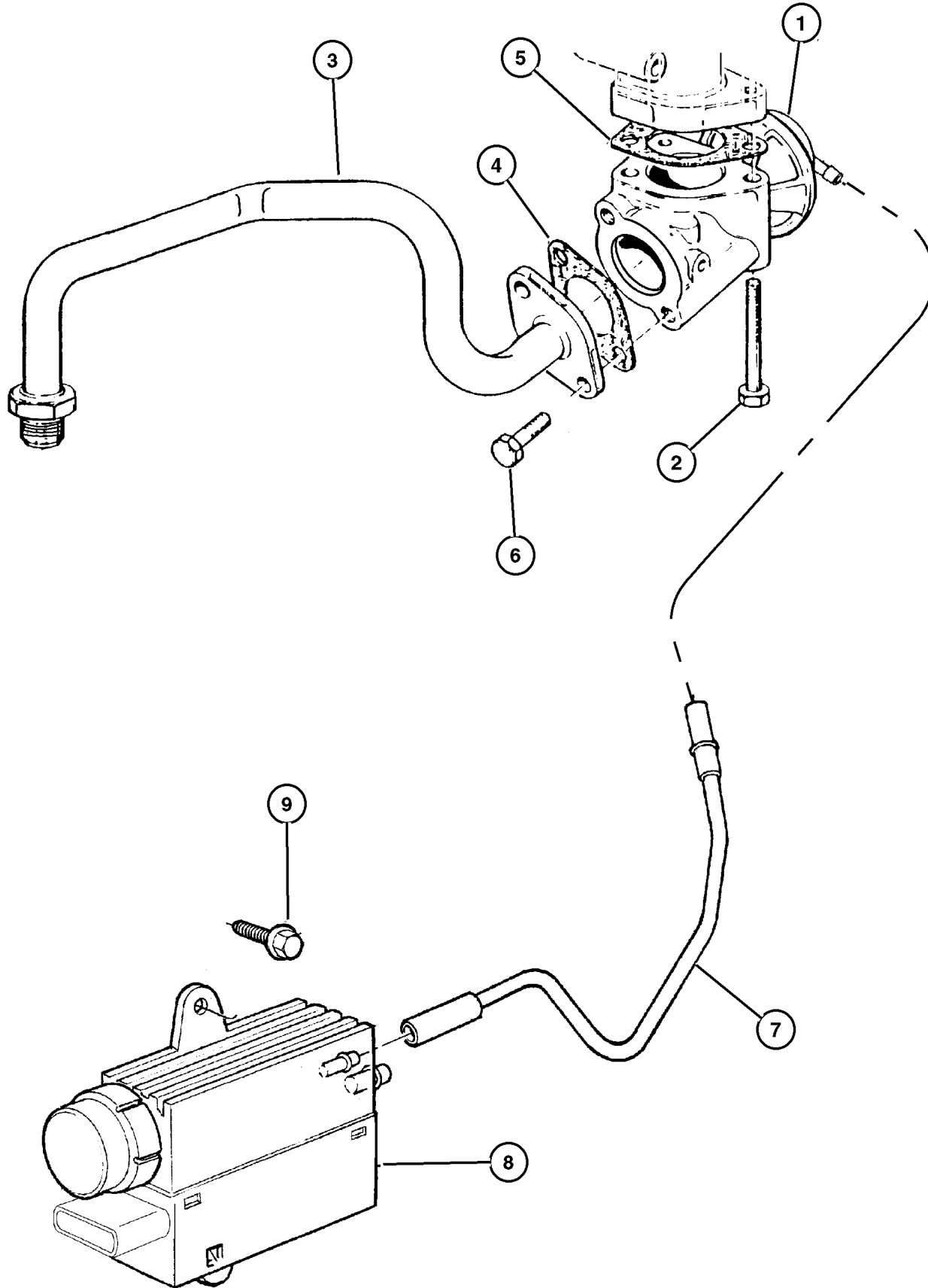
May 2, 2002

**EGR System 2.5 Diesel (ENC)
Figure 025-210**

ITEM	PART NUMBER	QTY	LINE	BODY	ENGINE	TRANS	DESCRIPTION
------	-------------	-----	------	------	--------	-------	-------------

NOTE: EN0=All 2.5L Diesel Engines Shocks---Check VIN Number for The Type of 'Z' Code Springs are on The Truck

1	4720 662	1			ENO		VALVE, EGR
2	5003 565AA	2			ENO		BOLT
3	4864 751	1			ENO		PIPE, EGR to Manifold
4	4720 208	1			ENO		GASKET, EGR Tube Flange
5	5017 196AA	1			ENO		GASKET, EGR Tube
6	4864 537	1			ENO		BOLT, 8Mx20
7	5303 1542	1			ENO		TUBE, Exhaust Gas Recovery
8	5602 7094	1			ENO		MODULATOR, Vacuum Electric
9							SCREW/WASHER, Hex Head, .250-14x.500, (NOT SERVICED)



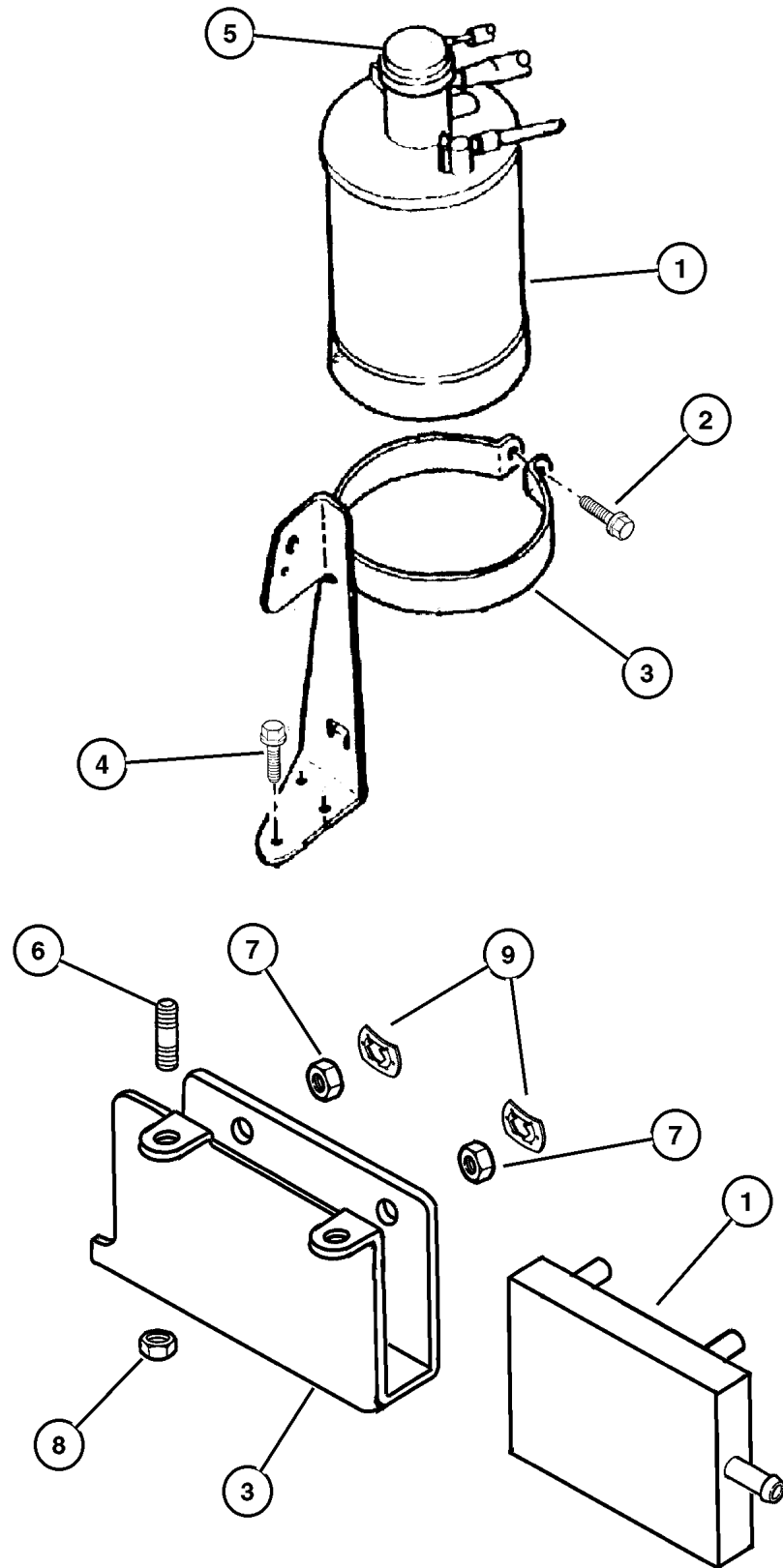
JEEP CHEROKEE (XJ)

SERIES	LINE	BODY	ENGINE	TRANSMISSION
P = Limited	J = LHD (4WD)	74=4 Dr. (101.4 WB)	ENC, EN0 = 2.5L 4 Cyl Turbo	DDD = 5 Speed Manual
S = Limited	U = RHD (4WD)	72=2 Dr. (101.4 WB)	ERH, ER0 = 4.0L Power Tech	DGS = 4 Speed Auto AISIN
H = Sport	T = LHD (2WD)			DG0 = All Automatic Trans
L = SE	B = RHD (2WD)			DBB = All Manual Trans

AR = Use as required - = Non illustrated part # = New this model year

May 2, 2002

Vacuum Canister 4.0 (ERH)
Figure 025-310



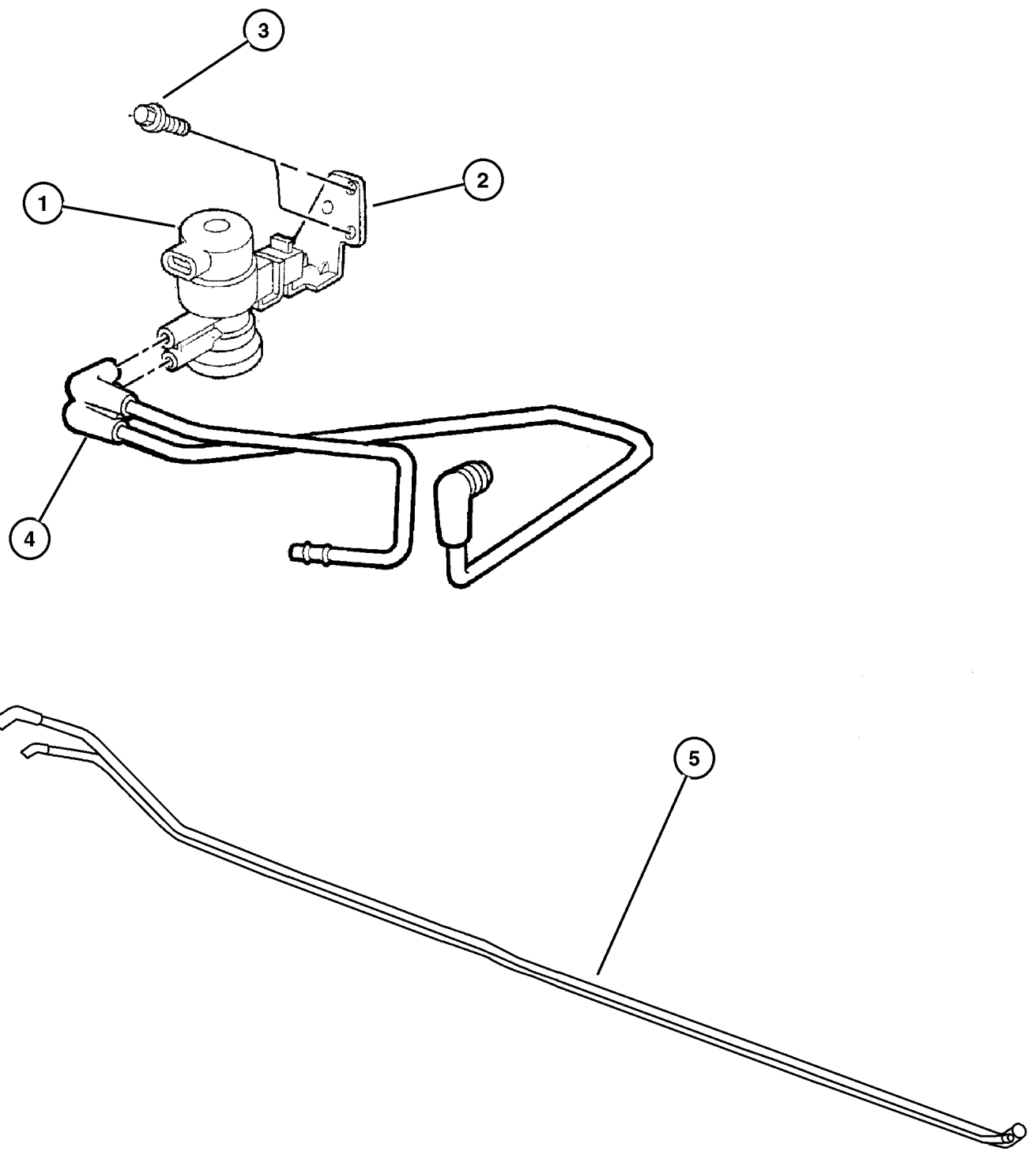
ITEM	PART NUMBER	QTY	LINE	BODY	ENGINE	TRANS	DESCRIPTION
Note; ERO=4.0 Engine Shocks----Check VIN Number for The Type of 'Z' Code Springs are on The Truck							
NAS= U.S. 50 States Emissions Shocks----Check VIN Number for The Type of 'Z' Code Springs are on The Truck							
NA3= European III Emissions Shocks----Check VIN Number for The Type of 'Z' Code Springs are on The Truck							
NAC= European II Emissions Shocks----Check VIN Number for The Type of 'Z' Code Springs are on The Truck							
NAB= Leaded Fuel Shocks----Check VIN Number for The Type of 'Z' Code Springs are on The Truck							
1							CANISTER, Vapor
	4854 112	1			ERO		U.S. 50 States and European III
	53031 904AB	1			ERO		European II and Leaded Fuel
2	J942 0882	1			ERO		SCREW, Hex Flange Head, .25-14x1.50
3							BRACKET, Vapor Canister
	53013 040AC	1			ERO		U.S. 50 States and European III
	5300 7836	1	J, T		ERO		European II and Leaded Fuel
4	6035 058	3	J, T		ERO		SCREW, Hex Flange Head, .19-16x.50
5	4192 074	1			ERO		CAP, Vapor Canister
6	6503 951	2			ERO		STUD, M6X1.00X.250-14X30.00
7	4669 177	2			ERO		GROMMET, Air Cleaner Bracket
8	6100 048	2			ERO		NUT, Hex, M6x1.00
9	0441 263	2			ERO		NUT, Push

JEEP CHEROKEE (XJ)				
SERIES	LINE	BODY	ENGINE	TRANSMISSION
P = Limited	J = LHD (4WD)	74=4 Dr. (101.4 WB)	ENC, EN0 = 2.5L 4 Cyl Turbo	DDD = 5 Speed Manual
S = Limited	U = RHD (4WD)	72=2 Dr. (101.4 WB)	ERH, ER0 = 4.0L Power Tech	DGS = 4 Speed Auto AISIN
H = Sport	T = LHD (2WD)			DG0 = All Automatic Trans
L = SE	B = RHD (2WD)			DBB = All Manual Trans

AR = Use as required - = Non illustrated part # = New this model year

May 2, 2002

**Emission Control Vacuum Harness 4.0 (ERH)
Figure 025-410**



ITEM	PART NUMBER	QTY	LINE	BODY	ENGINE	TRANS	DESCRIPTION
------	-------------	-----	------	------	--------	-------	-------------

NOTE: ER0=All 4.0L Engines Shocks----Check VIN Number for The Type of 'Z' Code Springs are on The Truck

1	4669 475AB	1			ER0		SOLENOID, Duty Cycle Purge
2	56027 773AB	1			ER0		BRACKET, Duty Cycle Purge Solenoid
3	6032 988	2					SCREW
4		3	J, T		ER0		HARNESS, Duty Cycle Purge Solenoid
	4854 896AB	1	J, T		ER0		
	4854 151AC	1	B, U		ER0		
5	4854 207AC	1			ER0		HARNESS, Vacuum Body Side
-6							PORT, Emission Testing
	4591 090	1	B, U		ER0		
		1	J, T		ER0		
-7	4854 138AE	1	J, T		ER0		HARNESS, Vapor Purge

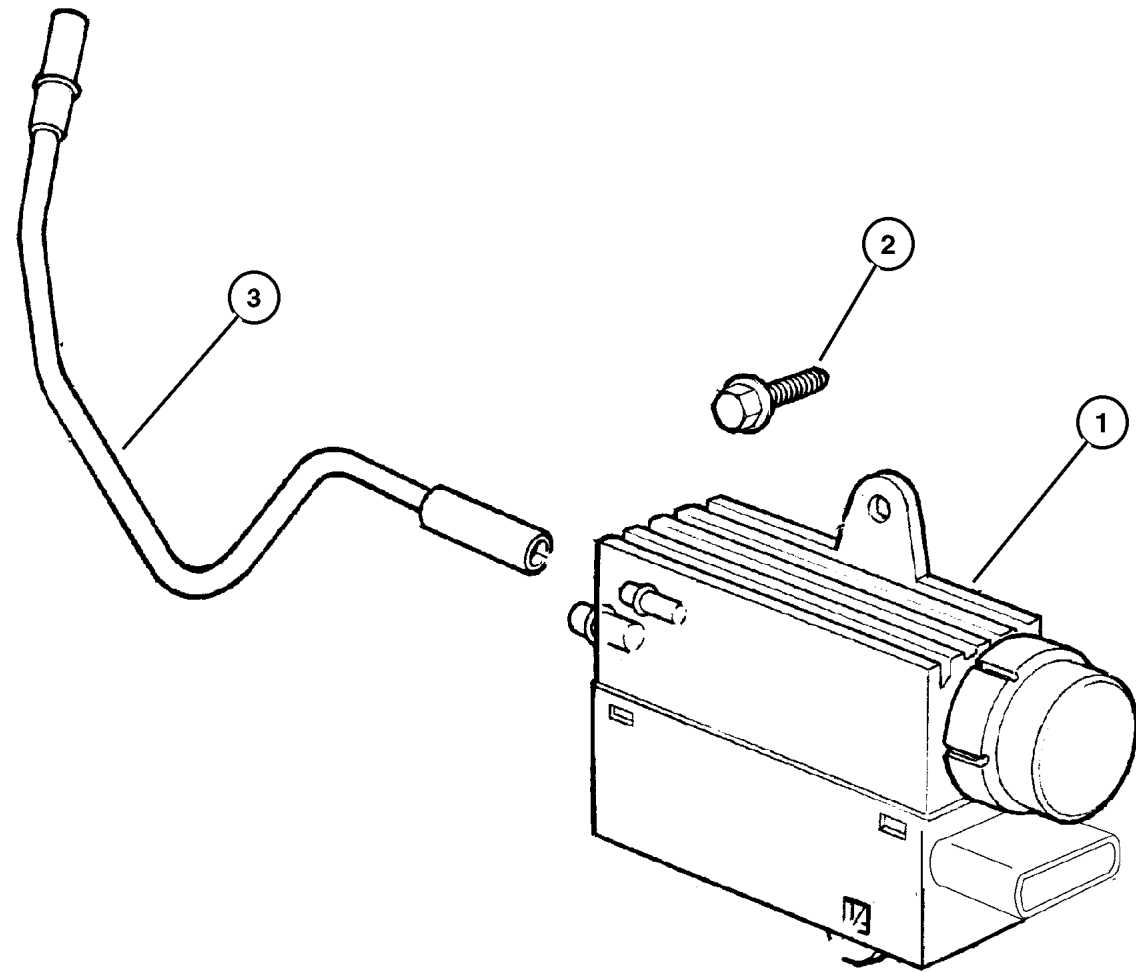
JEEP CHEROKEE (XJ)				
SERIES	LINE	BODY	ENGINE	TRANSMISSION
P = Limited	J = LHD (4WD)	74=4 Dr. (101.4 WB)	ENC, EN0 = 2.5L 4 Cyl Turbo	DDD = 5 Speed Manual
S = Limited	U = RHD (4WD)	72=2 Dr. (101.4 WB)	ERH, ER0 = 4.0L Power Tech	DGS = 4 Speed Auto AISIN
H = Sport	T = LHD (2WD)			DG0 = All Automatic Trans
L = SE	B = RHD (2WD)			DBB = All Manual Trans

AR = Use as required - = Non illustrated part # = New this model year

May 2, 2002

Emission Control Vacuum Harness 2.5 Diesel (ENC)
Figure 025-420

ITEM	PART NUMBER	QTY	LINE	BODY	ENGINE	TRANS	DESCRIPTION
NOTE;ENO= All 2.5L Diesel Engines Shocks----Check VIN Number for The Type of 'Z' Code Springs are on The Truck							
1	5602 7094	1			ENO		MODULATOR, Vacuum Electric
2	6034 959	2			ENO		SCREW, Hex Flange Head, .25-14x.549
3	5303 1542	1			ENO		TUBE, Exhaust Gas Recovery

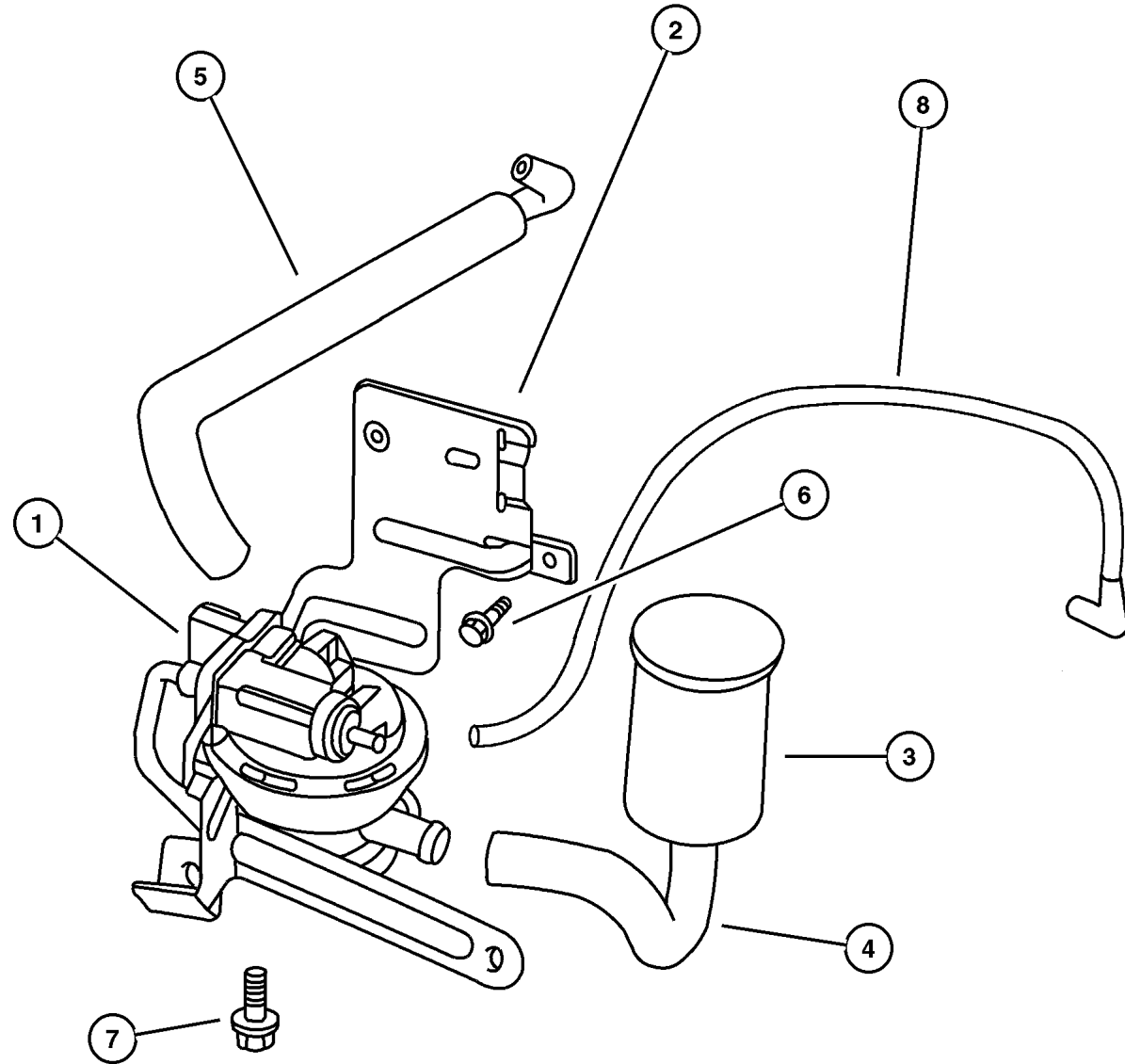


JEEP CHEROKEE (XJ)				
SERIES	LINE	BODY	ENGINE	TRANSMISSION
P = Limited	J = LHD (4WD)	74=4 Dr. (101.4 WB)	ENC, EN0 = 2.5L 4 Cyl Turbo	DDD = 5 Speed Manual
S = Limited	U = RHD (4WD)	72=2 Dr. (101.4 WB)	ERH, ER0 = 4.0L Power Tech	DGS = 4 Speed Auto AISIN
H = Sport	T = LHD (2WD)			DG0 = All Automatic Trans
L = SE	B = RHD (2WD)			DBB = All Manual Trans

AR = Use as required - = Non illustrated part # = New this model year

May 2, 2002

**Leak Detection Pump 4.0 (ERH)
Figure 025-430**



ITEM	PART NUMBER	QTY	LINE	BODY	ENGINE	TRANS	DESCRIPTION
Note; ERO=4.0 Engine Shocks----Check VIN Number for The Type of 'Z' Code Springs are on The Truck							
NAS= U.S. 50 States Emissions Shocks----Check VIN Number for The Type of 'Z' Code Springs are on The Truck							
1							PUMP, Leak Detection
	4891 412AC	1	J, T		ER0		
	4891 413AC	1	B, U		ER0		
2							BRACKET, Leak Detection Pump
	4854 184	1	J, T		ER0		
	#52059 527AA	1	B, U		ER0		
3	4612 901	1	J, T		ER0		FILTER, Fuel Vapor Vent
4	53013 001AA	1	J, T		ER0		HOSE, Leak Detection Pump
5	53013 030AB	1	J, T		ER0		HOSE, Leak Detection Pump
6							SCREW, M6x1.00x11.00, (NOT SERVICED)
7	6035 482	3	J, T		ER0		SCREW, Tapping, .19-16x.375
8	53013 043AB	1	J, T		ER0		TUBE, LDP to Intake Manifold
-9	#52059 536AA	1			ER0		CLIP
-10	4854 138AE	1	J, T		ER0		HARNESS, Vapor Purge

JEEP CHEROKEE (XJ)				
SERIES	LINE	BODY	ENGINE	TRANSMISSION
P = Limited	J = LHD (4WD)	74=4 Dr. (101.4 WB)	ENC, EN0 = 2.5L 4 Cyl Turbo	DDD = 5 Speed Manual
S = Limited	U = RHD (4WD)	72=2 Dr. (101.4 WB)	ERH, ER0 = 4.0L Power Tech	DGS = 4 Speed Auto AISIN
H = Sport	T = LHD (2WD)			DG0 = All Automatic Trans
L = SE	B = RHD (2WD)			DBB = All Manual Trans

AR = Use as required - = Non illustrated part # = New this model year

May 2, 2002

Group – DXJ

Doors and Related Parts

GROUP DXJ - Doors and Related Parts

Illustration Title

Group-Fig. No.

Front Door

Door, Front, Shell and Hinges	Fig. DXJ-110
Door, Front, Glass and Controls	Fig. DXJ-120
Door, Front, Lock and Controls	Fig. DXJ-130

Rear Door

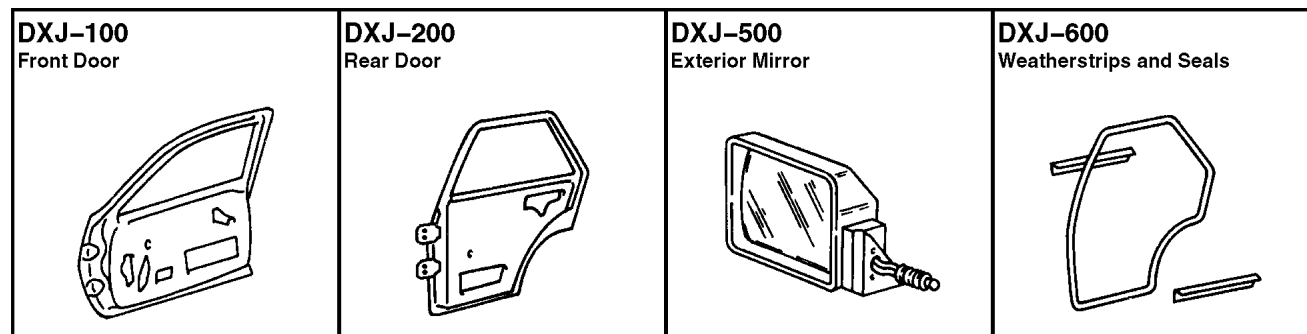
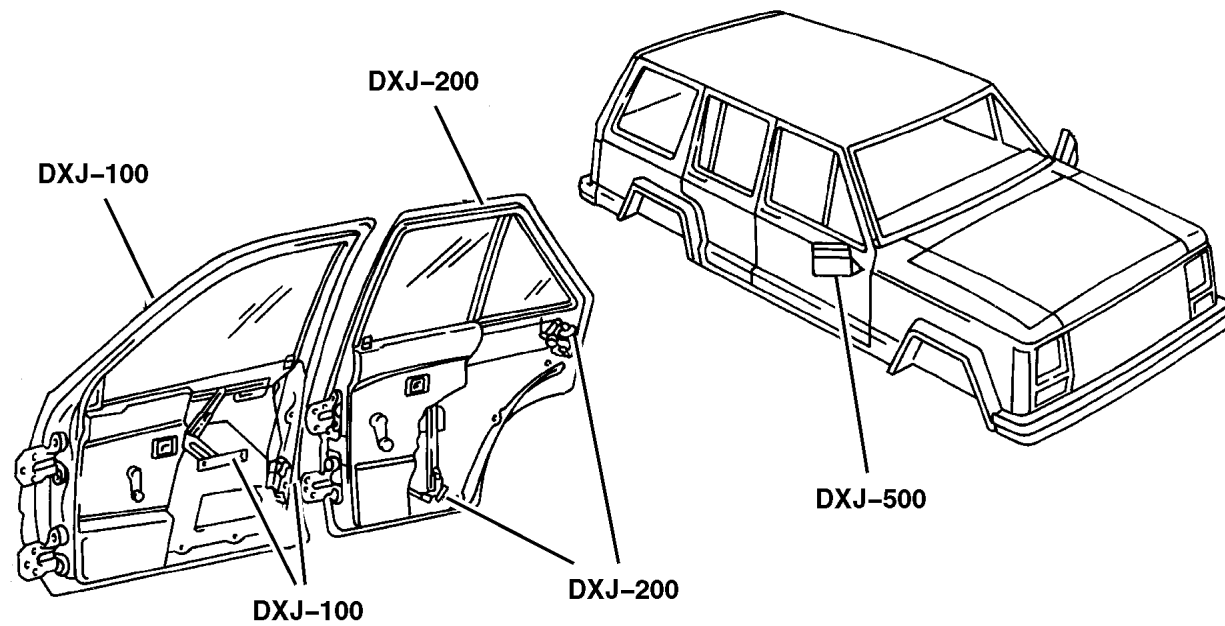
Door, Rear, Shell and Hinges	Fig. DXJ-210
Door, Rear, Glass and Regulator	Fig. DXJ-220
Door, Rear, Lock and Controls	Fig. DXJ-230

Exterior Mirror

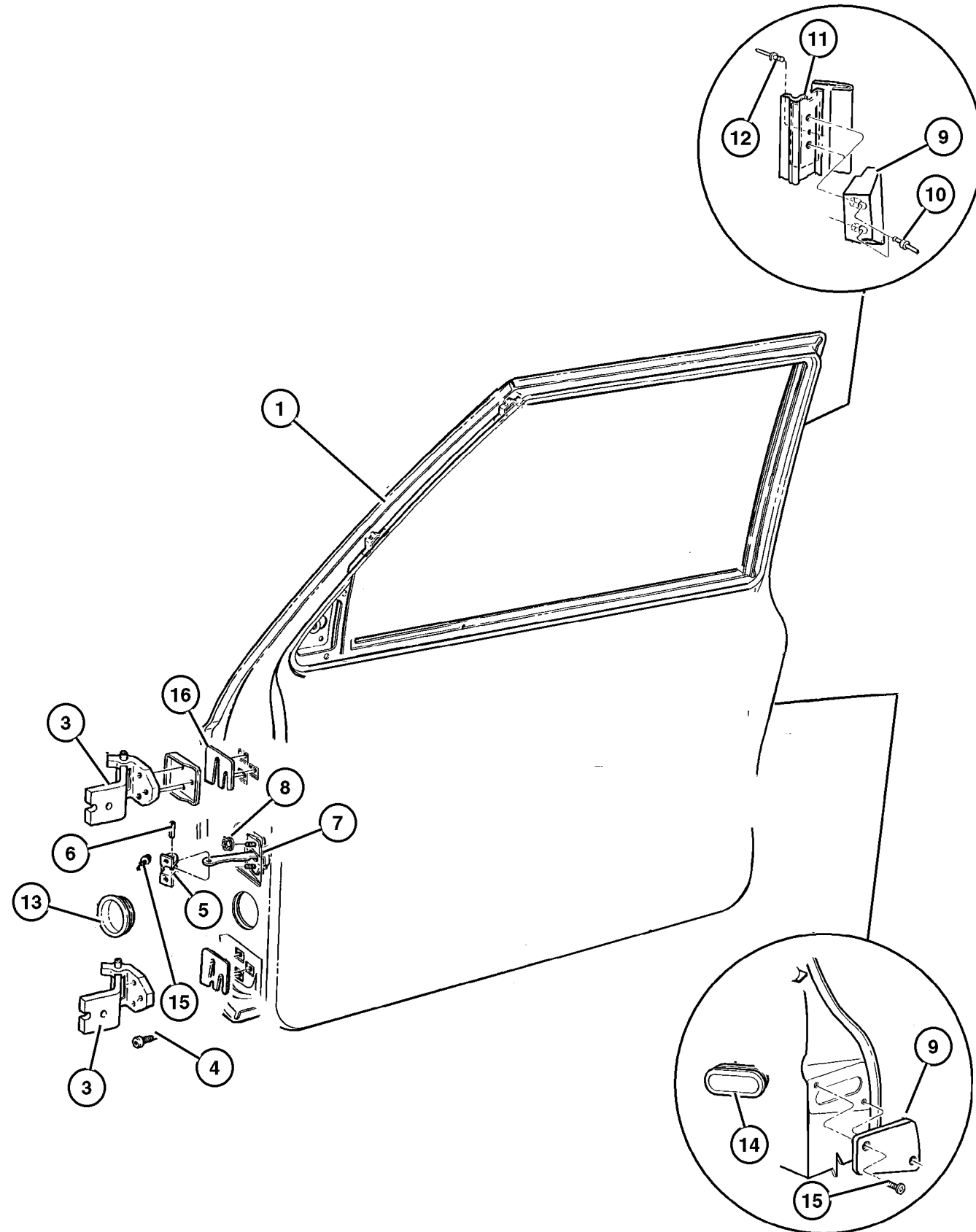
Mirrors, Exterior	Fig. DXJ-510
-------------------------	--------------

Weatherstrips and Seals

Door, Front	Fig. DXJ-610
Door, Rear	Fig. DXJ-620



**Door, Front, Shell and Hinges
Figure DXJ-110**



ITEM	PART NUMBER	QTY	LINE	SERIES	BODY	DESCRIPTION
1						DOOR, Front
	55235 906AC	1			74	Right
	55235 907AC	1			74	Left
	55175 424AG	1	J, T, U		72	Right
	55175 425AG	1	J, T, U		72	Left
-2						PANEL, Door Outer Repair
	5003 402AB	1			74	Right
	5003 403AB	1			74	Left
3	55235 368AC	4				HINGE, Door
4	6505 434AA	12				SCREW, M8-1.25
5	5500 2361	2				BRACKET, Check Arm
6	55012 900AB	2				PIN, Check Arm
7	55235 571AB	2				CHECK, Front Door
8						LOCK NUT, Hex Flange, M6-1.00, (NOT SERVICED)
9						SPACER, Door
	5507 4906	1	J, T, U		72	Lower Right
	5507 4907	1	J, T, U		72	Lower Left
	5507 4908	1	J, T, U		72	Upper Right
	5507 4909	1	J, T, U		72	Upper Left
10	J400 6990	2				RIVET, Blind Expansion (R-Lok)
11	5500 6216	2	J, T, U		72	REINFORCEMENT, Door Spacer
12	3420 1684	2				RIVET, M3.18x2.37
13	5500 2367	2				PLUG, Door Wiring Conduit
14	5500 2368	2				PLUG, Door Latch
15						SCREW, (NOT SERVICED)
16	5500 4920	AR				SHIM

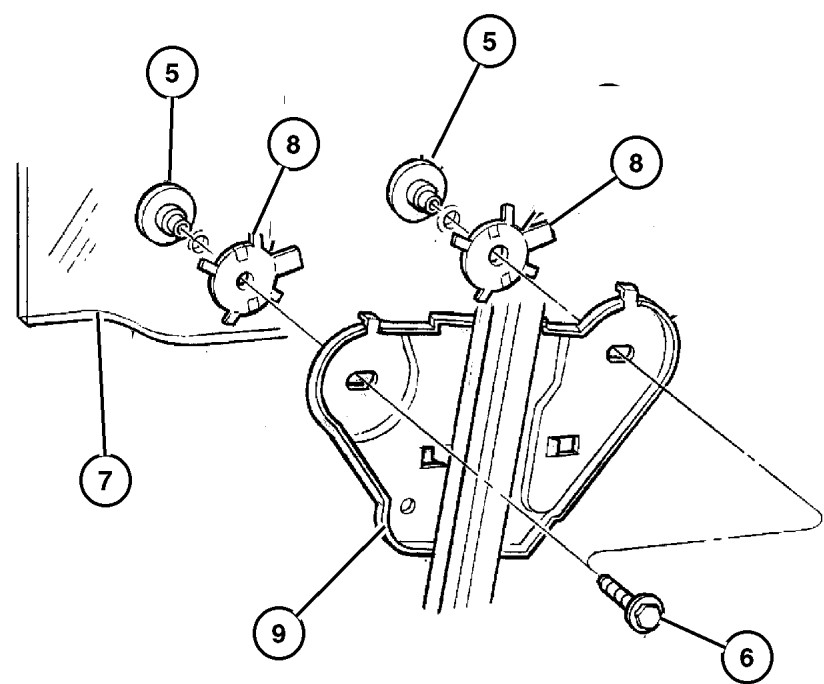
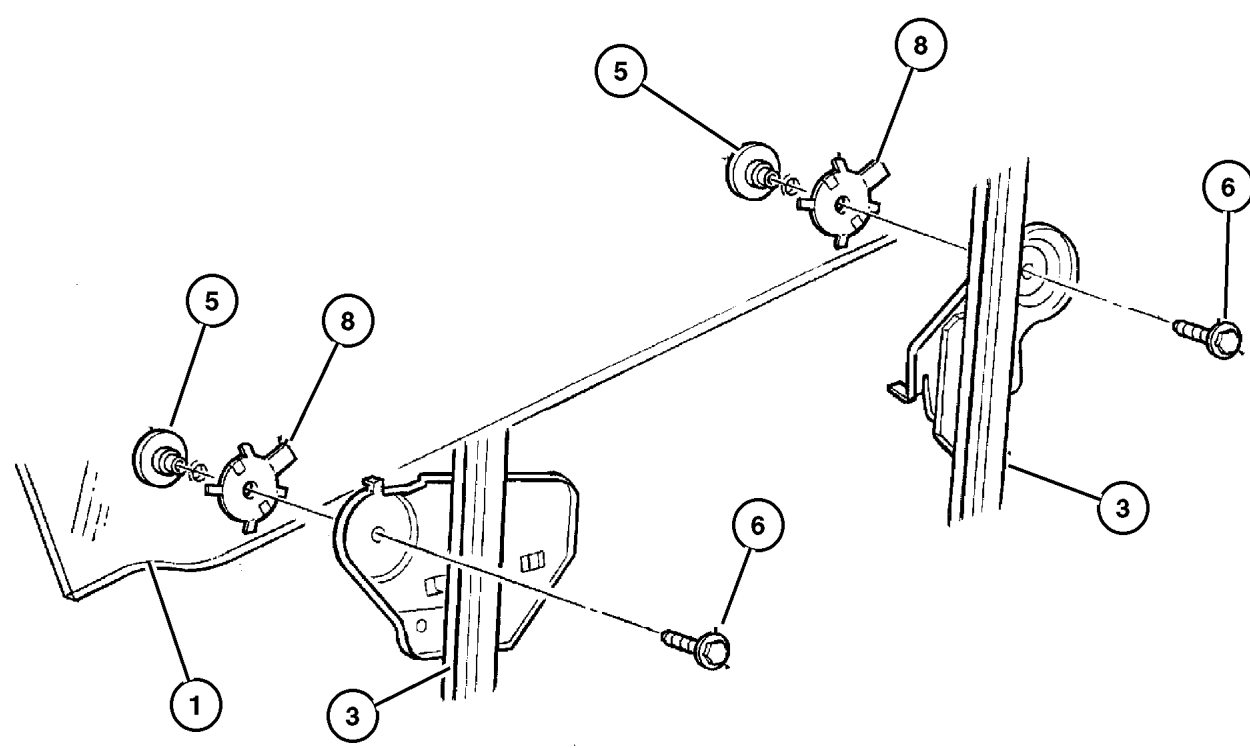
JEEP CHEROKEE (XJ)				
SERIES	LINE	BODY	ENGINE	TRANSMISSION
P = Limited	J = LHD (4WD)	74=4 Dr. (101.4 WB)	ENC, EN0 = 2.5L 4 Cyl Turbo	DDD = 5 Speed Manual
S = Limited	U = RHD (4WD)	72=2 Dr. (101.4 WB)	ERH, ER0 = 4.0L Power Tech	DGS = 4 Speed Auto AISIN
H = Sport	T = LHD (2WD)			DG0 = All Automatic Trans
L = SE	B = RHD (2WD)			DBB = All Manual Trans

AR = Use as required - = Non illustrated part # = New this model year

May 2, 2002

Door, Front, Glass and Controls
Figure DXJ-120

ITEM	PART NUMBER	QTY	LINE	SERIES	BODY	DESCRIPTION
1						GLASS, Door
	5517 5436	1	J, T, U		72	Right
	5517 5437	1	J, T, U		72	Left
-2						CHANNEL, Glass Run Lower
	55076 172AB	1			74	Right
	55076 173AB	1			74	Left
3						REGULATOR, Front Door Window
	55076 276AH	1	J, T, U		72	Without Power, Right
	55076 277AH	1	J, T, U		72	Without Power, Left
	55155 012AJ	1	J, T, U		72	With Power, Right
	55155 013AJ	1	J, T, U		72	With Power, Left
	55076 052AG	1			74	Without Power, Right
	55076 053AG	1			74	Without Power, Left
	55154 958AH	1			74	With Power, Right
	55154 959AI	1			74	With Power, Left
-4	FW80 TAZ	2	J, T, U			HANDLE, Window Regulator, Grey
5	4415 943	4				RETAINER, Glass to Liftplate
6	3420 1807	2				BOLT, Hex Flange Head, M6x1.00x16
7						GLASS, Front Door
	5517 5430	1			74	Right
	5517 5431	1			74	Left
8	3502 6818	4				RETAINER, Glass to Liftplate
9						REGULATOR, Front Door Window
	55076 052AF	1			74	Without Power, Right
	55076 053AF	1			74	Without Power, Left
	55154 958AH	1			74	With Power, Right
	55154 959AH	1			74	With Power, Left
-10	55175 358AC	2			74	WEATHERSTRIP, Door Belt



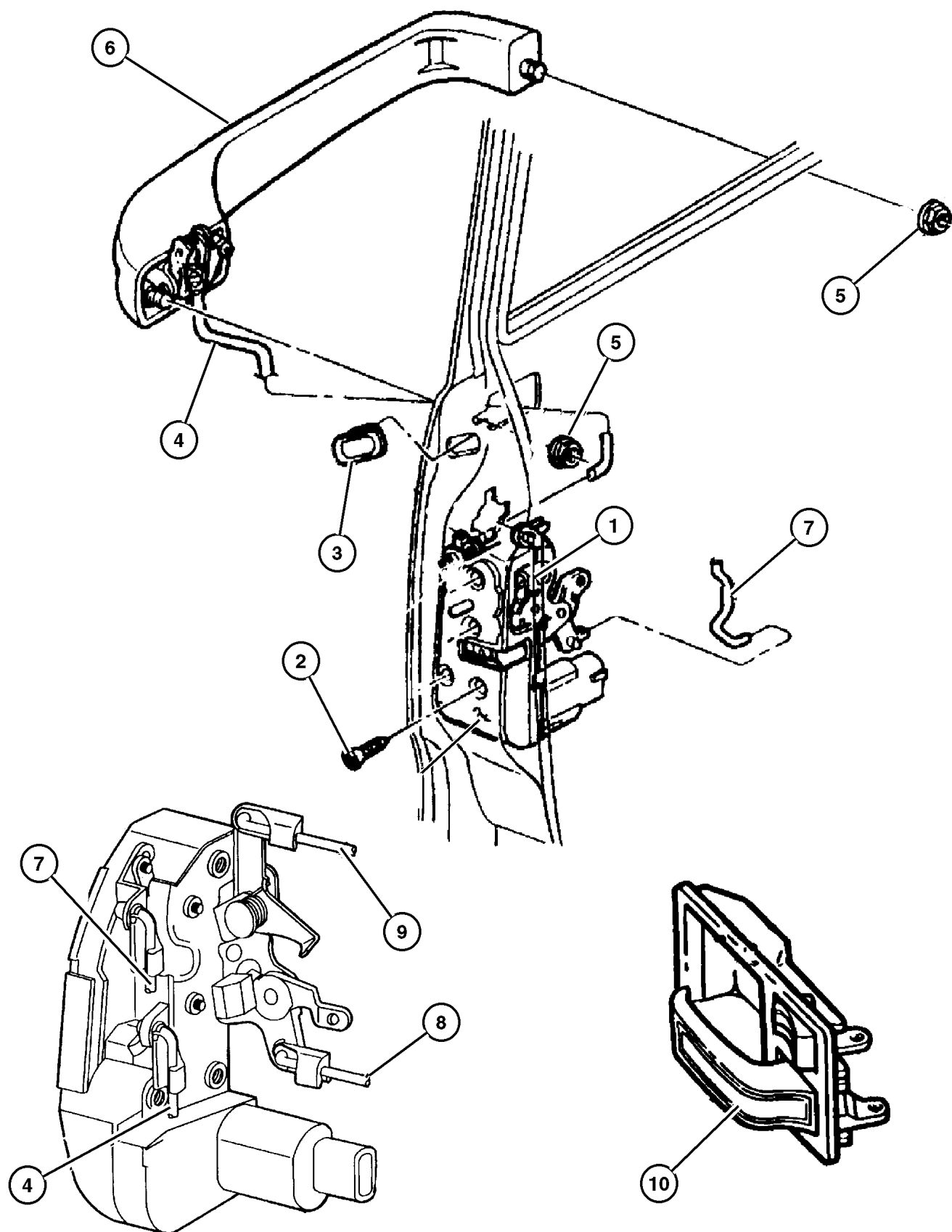
JEEP CHEROKEE (XJ)

SERIES	LINE	BODY	ENGINE	TRANSMISSION
P = Limited	J = LHD (4WD)	74=4 Dr. (101.4 WB)	ENC, EN0 = 2.5L 4 Cyl Turbo	DDD = 5 Speed Manual
S = Limited	U = RHD (4WD)	72=2 Dr. (101.4 WB)	ERH, ER0 = 4.0L Power Tech	DGS = 4 Speed Auto AISIN
H = Sport	T = LHD (2WD)			DG0 = All Automatic Trans
L = SE	B = RHD (2WD)			DBB = All Manual Trans

AR = Use as required - = Non illustrated part # = New this model year

May 2, 2002

Door, Front, Lock and Controls
Figure DXJ-130



ITEM	PART NUMBER	QTY	LINE	SERIES	BODY	DESCRIPTION
1						LATCH PKG, FRONT DOOR
	4798 914AC	1				Right
	4798 915AC	1				Left
2	6033 876	6				SCREW, Tapping, M6.3x1.8x38.1
3	5500 2368	2				PLUG, Door Latch
4						ROD, Outside Handle to Latch
	5507 6226	1	J, T, U		72	Right
	5507 6227	1	J, T, U		72	Left
	5523 5318	1			74	Right
	5523 5319	1			74	Left
5	6503 226	4				NUT, Hex Flange, M5x.8
6						HANDLE, Exterior Door
	55076 056AB	1			74	Right
	55076 057AB	1			74	Left
7						LINK, Key Cylinder To Latch
	5507 6046	1	J, T, U		72	Right
	5507 6047	1	J, T, U		72	Left
	5523 5326	1			74	Right
	5523 5327	1			74	Left
8						LINK, Latch Release
	55076 040AB	1			74	Right
	55076 041AB	1			74	Left
	55076 316AC	1	J, T, U		72	Right
	55076 317AC	1	J, T, U		72	Left
9						ROD, Inside Lock to Latch
	55076 272AC	1			74	Right
	55076 273AC	1			74	Left
	55076 320AB	1	J, T, U		72	Right
	55076 321AB	1	J, T, U		72	Left
10						HANDLE, Door Interior, 6505449AA Rivet
	55076 054AB	1	J, T		74	Right
		1	B, U		74	Right
		1	J, T		72	Right
	55076 055AB	1	J, T		74	Left
		1	B, U		74	Left
		1	J, T		72	Left

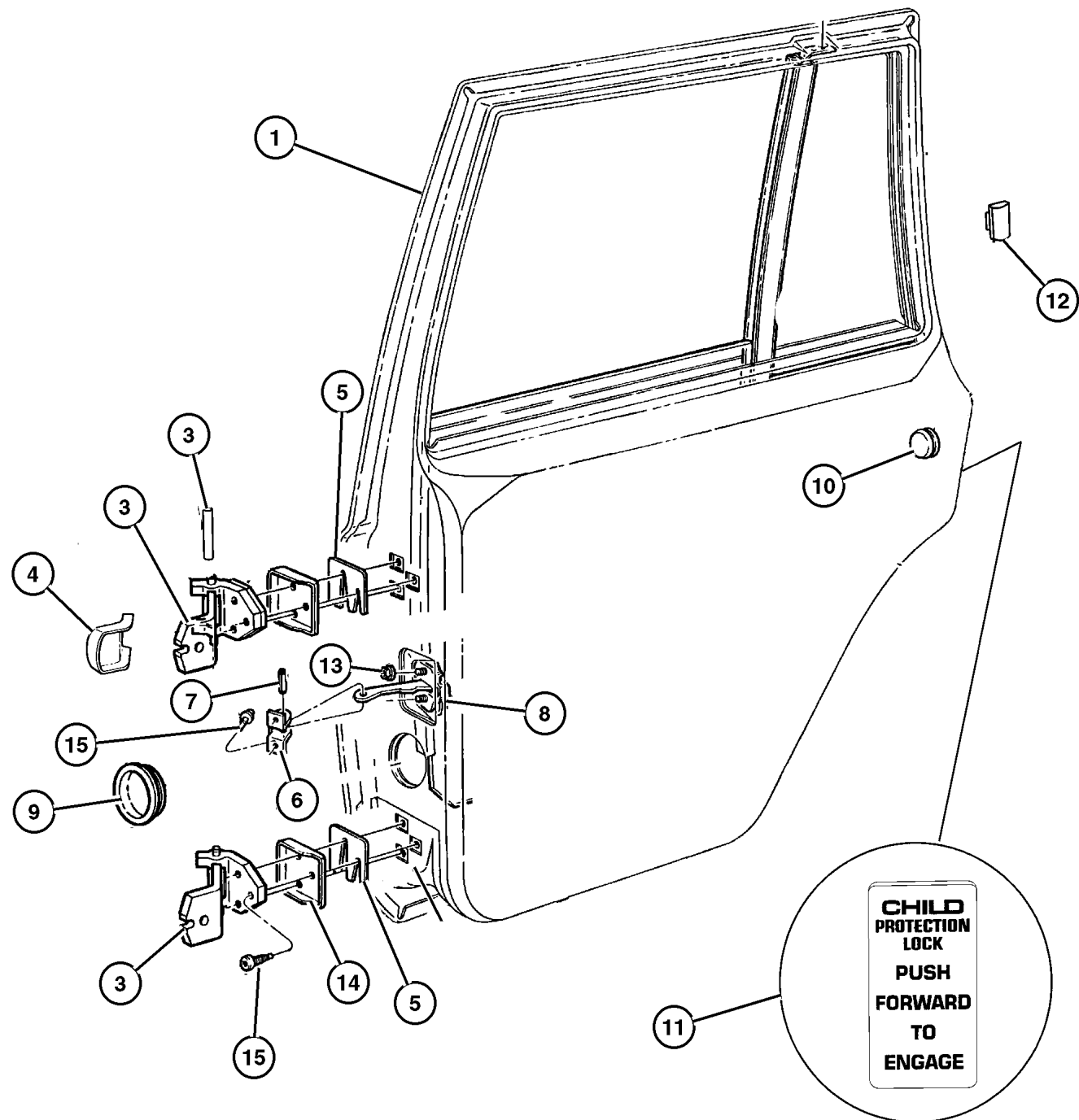
JEEP CHEROKEE (XJ)

SERIES	LINE	BODY	ENGINE	TRANSMISSION
P = Limited	J = LHD (4WD)	74=4 Dr. (101.4 WB)	ENC, EN0 = 2.5L 4 Cyl Turbo	DDD = 5 Speed Manual
S = Limited	U = RHD (4WD)	72=2 Dr. (101.4 WB)	ERH, ER0 = 4.0L Power Tech	DGS = 4 Speed Auto AISIN
H = Sport	T = LHD (2WD)			DG0 = All Automatic Trans
L = SE	B = RHD (2WD)			DBB = All Manual Trans

AR = Use as required - = Non illustrated part # = New this model year

May 2, 2002

**Door, Rear, Shell and Hinges
Figure DXJ-210**

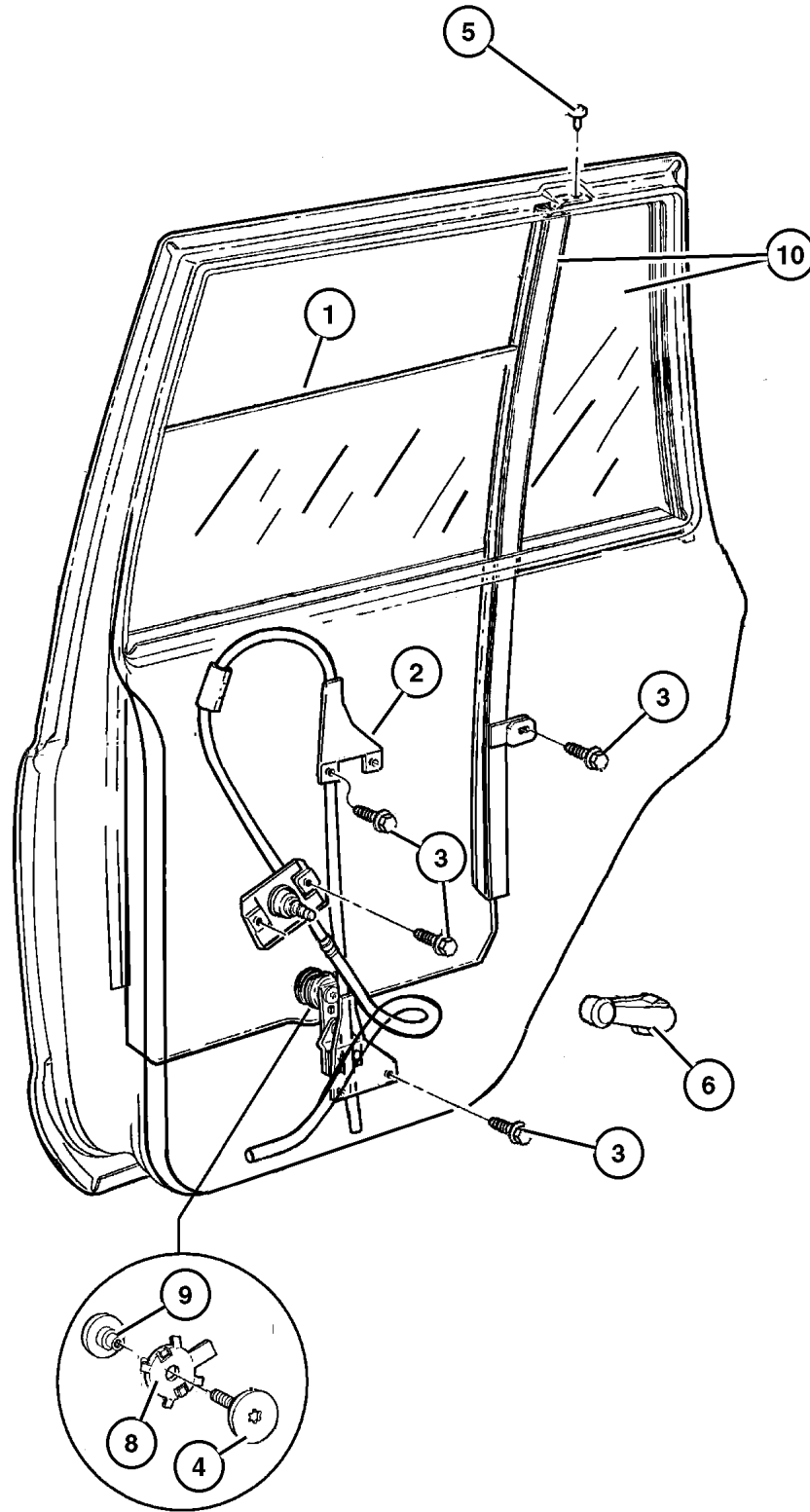


ITEM	PART NUMBER	QTY	LINE	SERIES	BODY	DESCRIPTION
1						DOOR, Rear
	55235 904AA	1			74	Right
	55235 905AA	1			74	Left
-2						PANEL, Door Outer Repair
	5013 888AA	1			74	Right
	5013 889AA	1			74	Left
3	55235 369AC	4			74	HINGE, Door
4	55235 822AA	4			74	COVER, Body Half Hinge
5						SHIM, Door Hinge Plate, (NOT REQUIRED)
6	5500 2361	2				BRACKET, Check Arm
7	55012 900AB	2				PIN, Check Arm
8	55075 259AB	2			74	CHECK, Rear Door
9	5500 2367	2				PLUG, Door Wiring Conduit
10	4854 035	1				PLUG, Access Hole
11	4615 722AB	2			74	LABEL, Child Protection Lock, English
12	55235 957AA	4			74	SHIM, Door Hinge
13						NUT, (NOT SERVICED)
14						TAPPING PLATE, Door Hinge
	5500 0248	1			74	Right
	5500 0249	1			74	Left
15						SCREW, (NOT SERVICED)

JEEP CHEROKEE (XJ)				
SERIES	LINE	BODY	ENGINE	TRANSMISSION
P = Limited	J = LHD (4WD)	74=4 Dr. (101.4 WB)	ENC, EN0 = 2.5L 4 Cyl Turbo	DDD = 5 Speed Manual
S = Limited	U = RHD (4WD)	72=2 Dr. (101.4 WB)	ERH, ER0 = 4.0L Power Tech	DGS = 4 Speed Auto AISIN
H = Sport	T = LHD (2WD)			DG0 = All Automatic Trans
L = SE	B = RHD (2WD)			DBB = All Manual Trans

AR = Use as required - = Non illustrated part # = New this model year

**Door, Rear, Glass and Regulator
Figure DXJ-220**



ITEM	PART NUMBER	QTY	LINE	SERIES	BODY	DESCRIPTION
1						GLASS, Rear Door
	5500 0590	1			74	Tinted, Right
	5500 0591	1			74	Tinted, Left
	55175 066AB	1			74	Privacy, Right
	55175 067AB	1			74	Privacy, Left
2						REGULATOR, Rear Door Window
	55076 292AD	1			74	Manual, Right
	55076 293AD	1			74	Manual, Left
	55154 960AE	1			74	Electric, Right
	55154 961AE	1			74	Electric, Left
3	6504 357	4			74	SCREW AND WASHER, Hex Head, M6x1x12
4	5515 4752	2			74	SCREW FASTNER, Glass To Regulator, M6
5						SCREW, (NOT SERVICED)
6						HANDLE, Window Regulator
	FW80 SK5	2	J, T, U			Tan
	FW80 TAZ	2	J, T, U			Gray
-7						NUT, U Multi Thread, M4 x .70 x 17.00, (NOT SERVICED)
8	4415 943	4				RETAINER, Glass to Liftplate
9	4415 943	4				RETAINER, Glass to Liftplate
10						GLASS, Rear Door
	55235 562AB	1			74	Privacy, Right
	55235 563AB	1			74	Privacy, Left
	5523 5564	1			74	Tinted, Right
	5523 5565	1			74	Tinted, Left
-11	4615 722AB	2			74	LABEL, Child Protection Lock, English

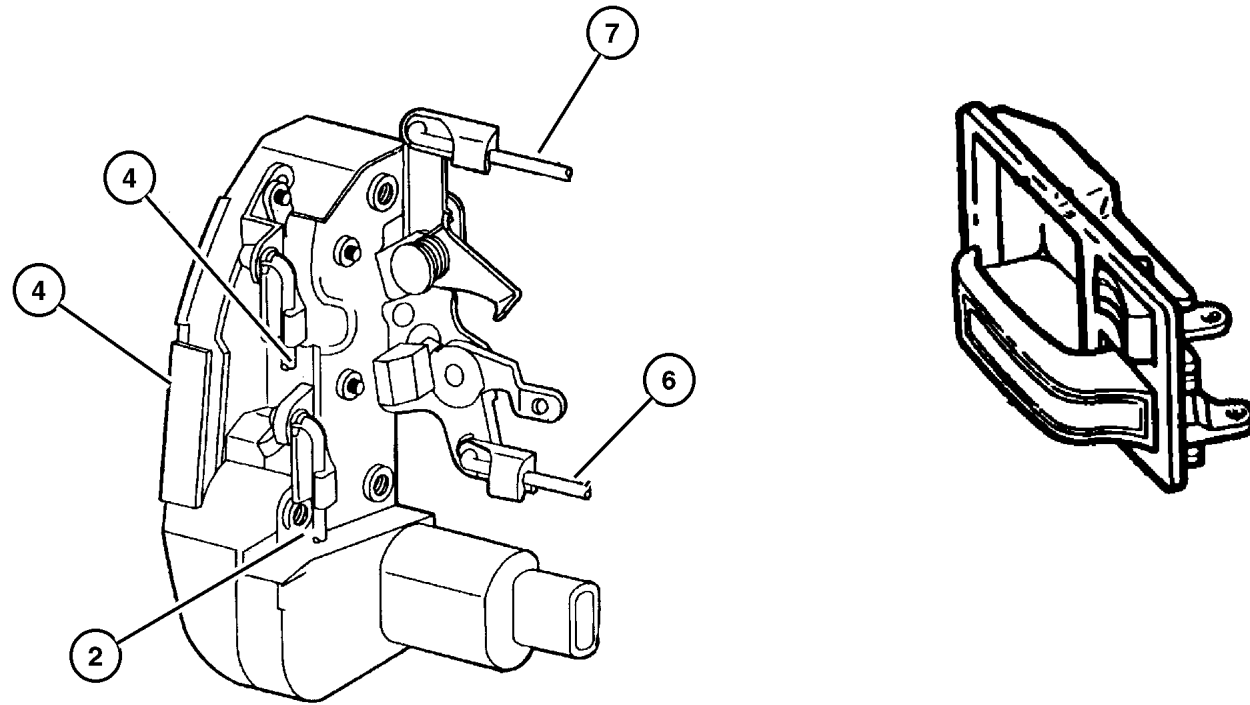
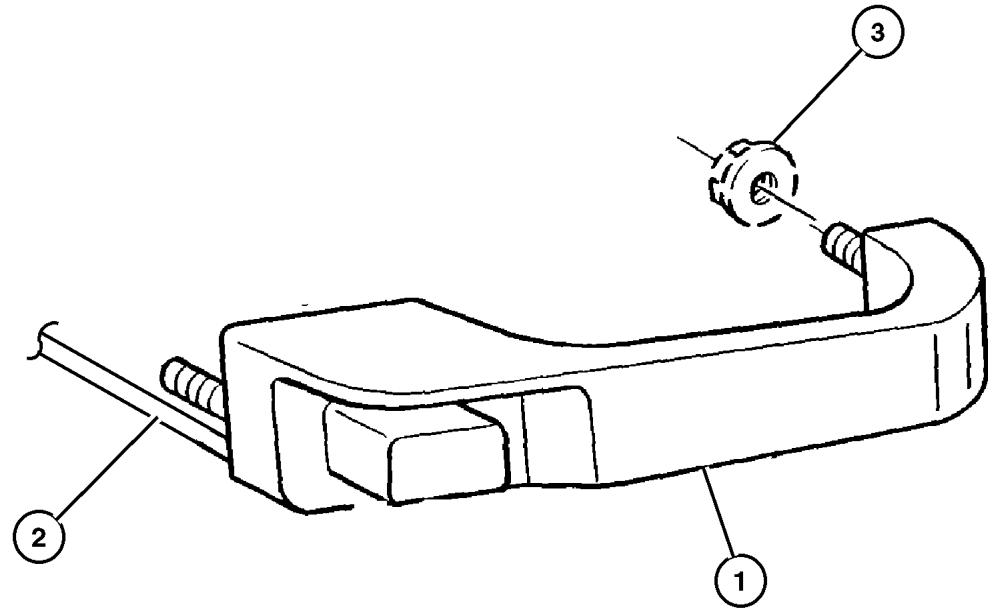
JEEP CHEROKEE (XJ)

SERIES	LINE	BODY	ENGINE	TRANSMISSION
P = Limited	J = LHD (4WD)	74=4 Dr. (101.4 WB)	ENC, EN0 = 2.5L 4 Cyl Turbo	DDD = 5 Speed Manual
S = Limited	U = RHD (4WD)	72=2 Dr. (101.4 WB)	ERH, ER0 = 4.0L Power Tech	DGS = 4 Speed Auto AISIN
H = Sport	T = LHD (2WD)			DG0 = All Automatic Trans
L = SE	B = RHD (2WD)			DBB = All Manual Trans

AR = Use as required - = Non illustrated part # = New this model year

May 2, 2002

Door, Rear, Lock and Controls
Figure DXJ-230



ITEM	PART NUMBER	QTY	LINE	SERIES	BODY	DESCRIPTION
1						HANDLE, Exterior Door
	55076 056AB	1			74	Right
	55076 057AB	1			74	Left
2						ROD, Outside Handle to Latch
	5507 6368	1			74	Right
	5507 6369	1			74	Left
3	6503 226	4				NUT, Hex Flange, M5x.8
4						LATCH, Door Manual with Child Guard
	55235 204AB	1			74	With Manual Locks, Right
	55235 205AB	1			74	With Manual Locks, Left
-5						LATCH, Rear Door
	55235 202AC	1			74	With Power Locks, Right
	55235 203AC	1			74	With Power Locks, Left
6						ROD, Inside Handle to Latch
	55076 070AC	1			74	Right
	55076 071AC	1			74	Left
7						ROD, Inside Lock to Latch
	55076 272AC	1			74	Right
	55076 273AC	1			74	Left

JEEP CHEROKEE (XJ)				
SERIES	LINE	BODY	ENGINE	TRANSMISSION
P = Limited	J = LHD (4WD)	74=4 Dr. (101.4 WB)	ENC, EN0 = 2.5L 4 Cyl Turbo	DDD = 5 Speed Manual
S = Limited	U = RHD (4WD)	72=2 Dr. (101.4 WB)	ERH, ER0 = 4.0L Power Tech	DGS = 4 Speed Auto AISIN
H = Sport	T = LHD (2WD)			DG0 = All Automatic Trans
L = SE	B = RHD (2WD)			DBB = All Manual Trans

AR = Use as required - = Non illustrated part # = New this model year

Mirrors, Exterior Figure DXJ-510

ITEM	PART NUMBER	QTY	LINE	SERIES	BODY	DESCRIPTION
------	-------------	-----	------	--------	------	-------------

Note: Sales Code GTP = Manual Fold-Away Shocks----Check VIN Number for The Type of 'Z' Code Springs are on The Truck

Note: Sales Code GTT = Manual Shocks----Check VIN Number for The Type of 'Z' Code Springs are on The Truck

Note: Sales Code GTZ = Power Fold-Away Shocks----Check VIN Number for The Type of 'Z' Code Springs are on The Truck

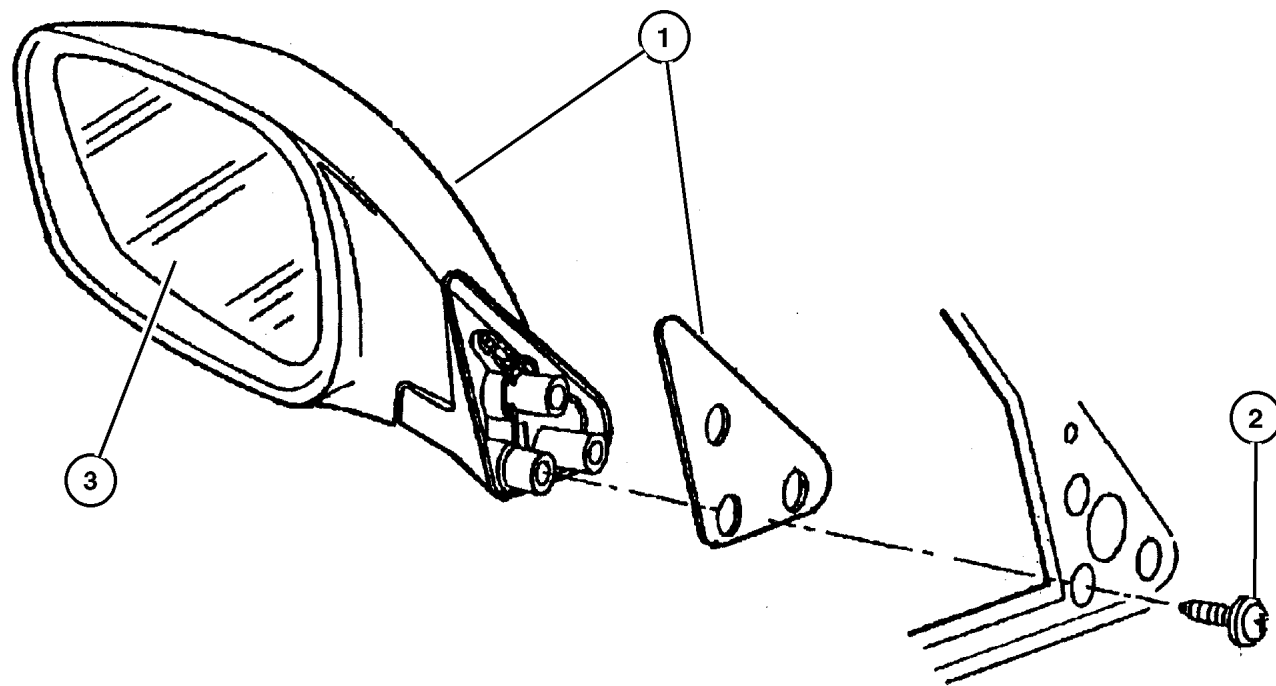
Note: Sales Code GTS = Power Heated Fold-Away Shocks----Check VIN Number for The Type of 'Z' Code Springs are on The Truck

Note: Sales Code GTD = Power Folding Heated Shocks----Check VIN Number for The Type of 'Z' Code Springs are on The Truck

Note: Sales Code GTB = Power Heated Shocks----Check VIN Number for The Type of 'Z' Code Springs are on The Truck

Note: Sales Code GPF = Manual Folding Black Shocks----Check VIN Number for The Type of 'Z' Code Springs are on The Truck

1	MIRROR, Outside Rearview					
	55154 946AC	1	J, T			[GTP], Right
	55154 947AC	1	J, T			[GTP,GTT], Left
	55154 948AC	1				[GTZ], Right
	55154 949AC	1				[GTZ], Left
	55154 950AC	1				[GTS], Right
	55154 951AC	1	J, T			[GTS,GTB], Left
	55154 952AC	1	B, U			[GTD], Right
	55154 953AC	1	B, U			[GTD], Left
	55155 654AC	1	J, T			[GTT], Right
	55155 655AC	1	J, T			[GTB], Left
	55156 024AC	1	B, U			[GPF], Right
	55156 025AC	1	B, U			[GPF], Left
2	5013 038AA	6				SCREW, Pan Head, .25-20x.620
3	GLASS, Mirror Replacement					
	5012 210AA	1				For 55154946AC, 55154948AC Mirror, Right
	5012 211AA	1				For 55154947AC, 55154949AC Mirror, Left
	5012 212AA	1				For 55154950AC Mirror, Right
	5012 213AA	1	J, T			For 55154951AC Mirror, Left
	5012 214AA	1	B, U			For 55156024AC Mirror, Right
	5012 215AA	1	B, U			For 55156025AC Mirror, Left
	5012 216AA	1	B, U			For 55154952AC Mirror, Right
	5012 217AA	1	B, U			For 55154953AC Mirror, Left
	5012 218AA	1	J, T			For 55155654AC Mirror, Right
	5012 220AA	1	J, T			For 55155655Ac Mirror, Right



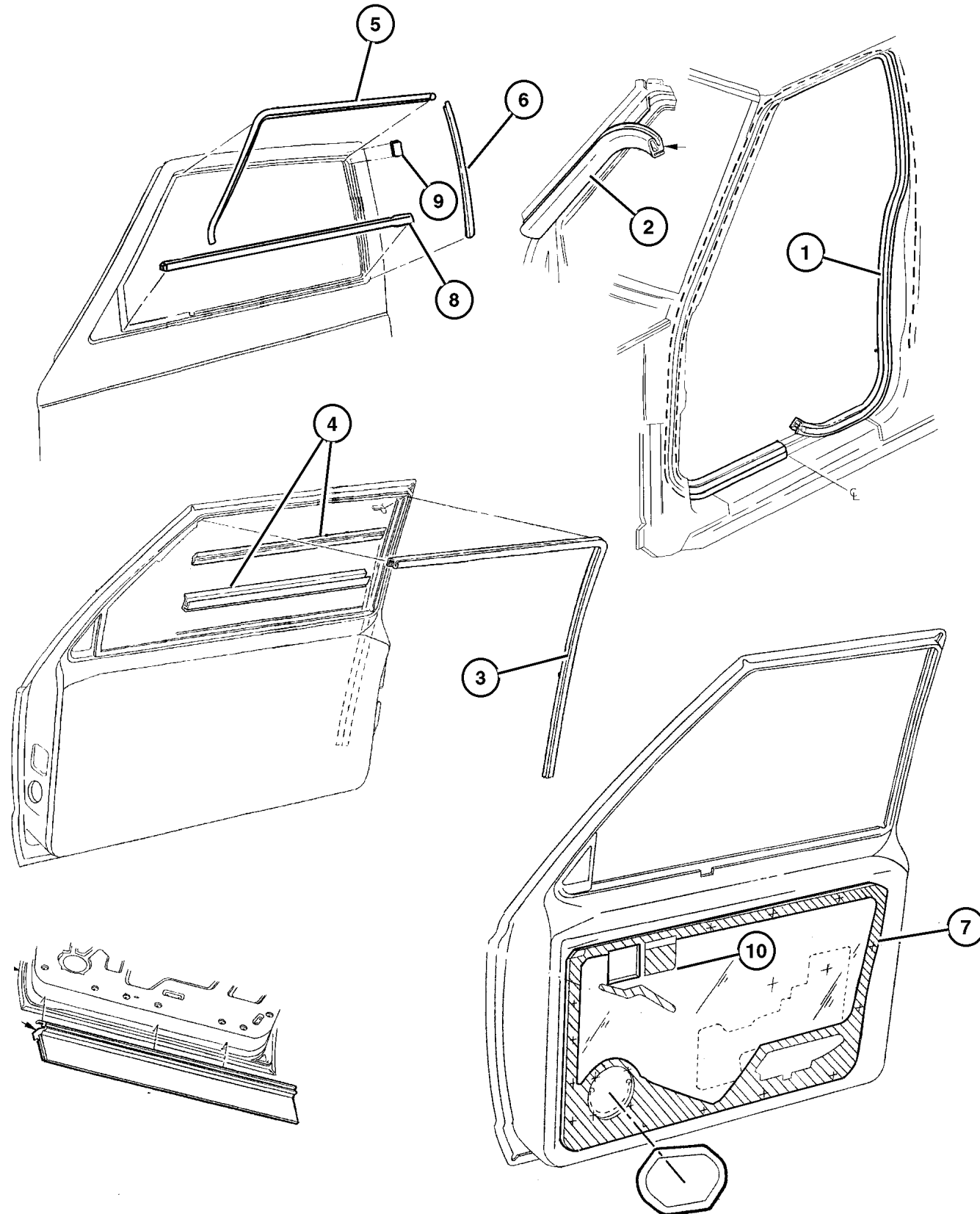
JEEP CHEROKEE (XJ)

SERIES	LINE	BODY	ENGINE	TRANSMISSION
P = Limited	J = LHD (4WD)	74=4 Dr. (101.4 WB)	ENC, EN0 = 2.5L 4 Cyl Turbo	DDD = 5 Speed Manual
S = Limited	U = RHD (4WD)	72=2 Dr. (101.4 WB)	ERH, ER0 = 4.0L Power Tech	DGS = 4 Speed Auto AISIN
H = Sport	T = LHD (2WD)			DG0 = All Automatic Trans
L = SE	B = RHD (2WD)			DBB = All Manual Trans

AR = Use as required - = Non illustrated part # = New this model year

May 2, 2002

Door, Front Figure DXJ-610



ITEM	PART NUMBER	QTY	LINE	SERIES	BODY	DESCRIPTION
1	55176 148AC	2			74	WEATHERSEAL, Full Door To Body, Secondary
2	55175 355AD	2				SEAL, Door
3						WEATHERSTRIP, Glass Channel Run
	55175 352AD	1			74	Inner, Right
	55175 353AD	1			74	Inner, Left
	55175 368AC	1	J, T, U		72	Outer, Right
	55175 369AC	1	J, T, U		72	Outer, Left
4						WEATHERSTRIP, Door Belt
	55175 358AB	2			74	Inner, Right & Left
	55175 360AC	2			74	Outer, Right & Left
	55175 372AC	2	J, T, U		72	Outer, Right & Left
5						MOLDING, Door
	55176 194AB	1			74	Right
	55176 195AB	1			74	Left
	55176 196AB	1	J, T, U		72	Right
	55176 197AB	1	J, T, U		72	Left
6						MOLDING, Front Door Frame
	5523 5778	1				Right
	5523 5779	1				Left
7						WATERDAM, Front Door
	55235 982AC	1	J, T, U		72	Right
	55235 983AC	1	J, T, U		72	Left
	55235 984AC	1			74	Right
	55235 985AC	1			74	Left
8	55175 360AC	2			74	WEATHERSTRIP, Door Belt, Right & Left
9	5500 4920	AR				SHIM
10						WATERSHIELD, Front Door, 55027146-7, (NOT SERVICED)

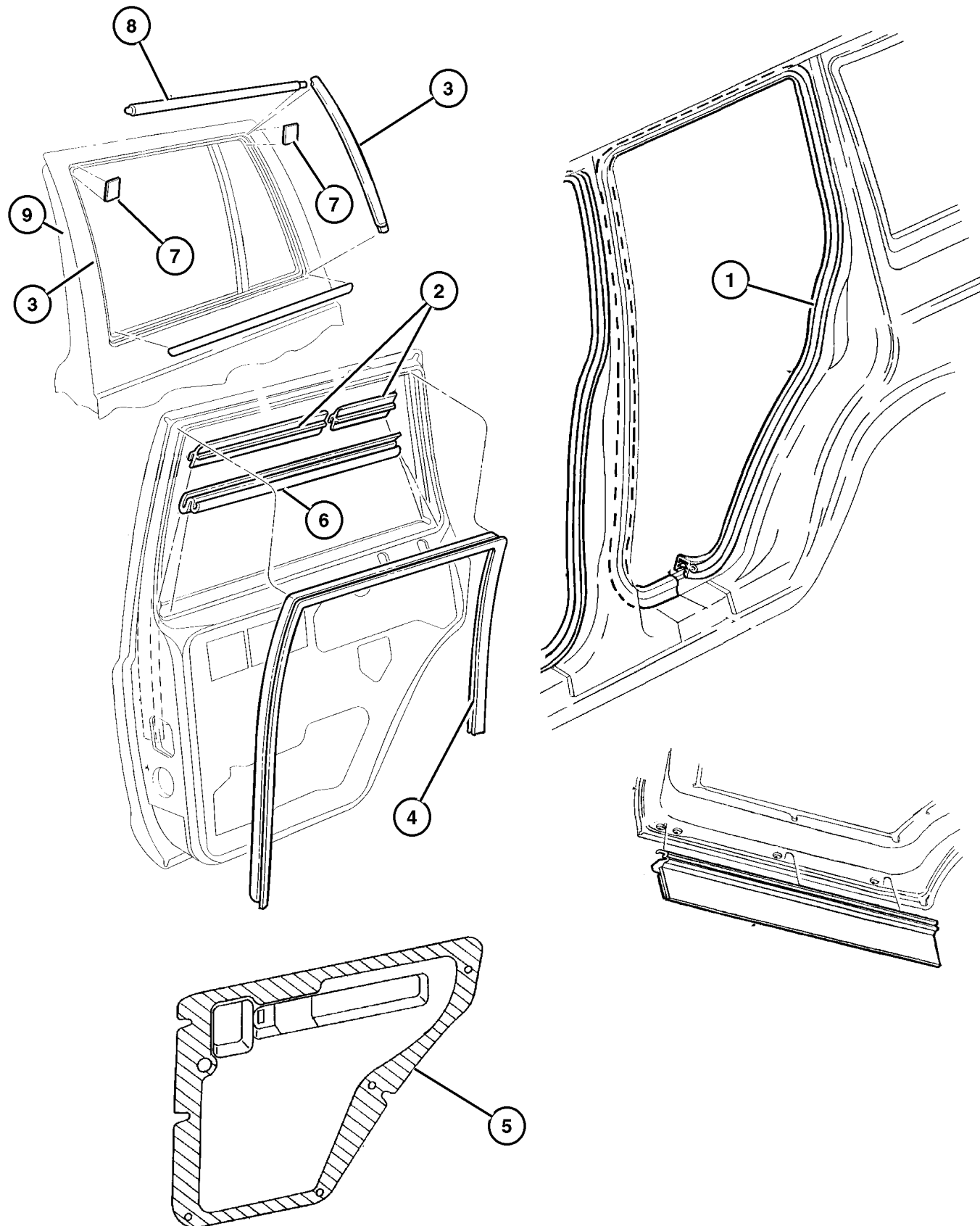
JEEP CHEROKEE (XJ)

SERIES	LINE	BODY	ENGINE	TRANSMISSION
P = Limited	J = LHD (4WD)	74=4 Dr. (101.4 WB)	ENC, EN0 = 2.5L 4 Cyl Turbo	DDD = 5 Speed Manual
S = Limited	U = RHD (4WD)	72=2 Dr. (101.4 WB)	ERH, ER0 = 4.0L Power Tech	DGS = 4 Speed Auto AISIN
H = Sport	T = LHD (2WD)			DG0 = All Automatic Trans
L = SE	B = RHD (2WD)			DBB = All Manual Trans

AR = Use as required - = Non illustrated part # = New this model year

May 2, 2002

Door, Rear Figure DXJ-620



ITEM	PART NUMBER	QTY	LINE	SERIES	BODY	DESCRIPTION
1	55175 351AC	2			74	WEATHERSEAL, Full Door To Body
2	55175 952AC	2			74	WEATHERSTRIP, Belt, Outer
3						MOLDING, Rear Door Frame
	5523 5780	1			74	Right
	5523 5781	1			74	Left
4						WEATHERSTRIP, Door Glass Run
	55175 356AC	1			74	Right
	55175 357AC	1			74	Left
5						WATERDAM, Rear Door
	55235 986AC	1			74	Right
	55235 987AC	1			74	Left
6	5517 5948	2			74	WEATHERSTRIP, Belt, Inner
7	5500 4920	AR				SHIM
8	55175 838AB	2			74	MOLDING, Rear Door Frame Upr, Upper
9	55235 791AB	2			74	WEATHERSTRIP, B Pillar Secondary

JEEP CHEROKEE (XJ)

SERIES	LINE	BODY	ENGINE	TRANSMISSION
P = Limited	J = LHD (4WD)	74=4 Dr. (101.4 WB)	ENC, EN0 = 2.5L 4 Cyl Turbo	DDD = 5 Speed Manual
S = Limited	U = RHD (4WD)	72=2 Dr. (101.4 WB)	ERH, ER0 = 4.0L Power Tech	DGS = 4 Speed Auto AISIN
H = Sport	T = LHD (2WD)			DG0 = All Automatic Trans
L = SE	B = RHD (2WD)			DBB = All Manual Trans

AR = Use as required - = Non illustrated part # = New this model year

May 2, 2002

Group – EXJ

Exterior Ornamentation

GROUP EXJ - Exterior Ornamentation

Illustration Title

Group-Fig. No.

Nameplates

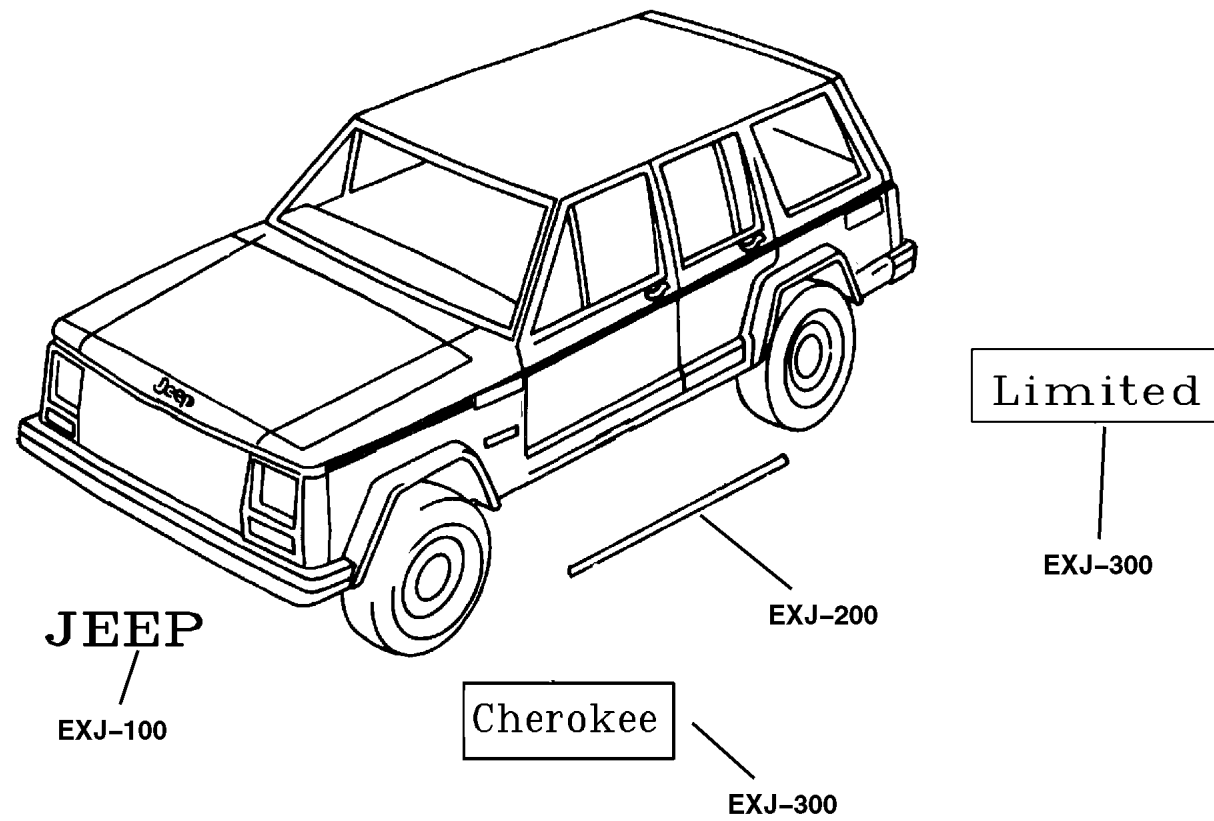
Nameplates Fig. EXJ-110




Moldings and Ornamentation

Moldings Body Side Fig. EXJ-215

Decals and Tapestripes

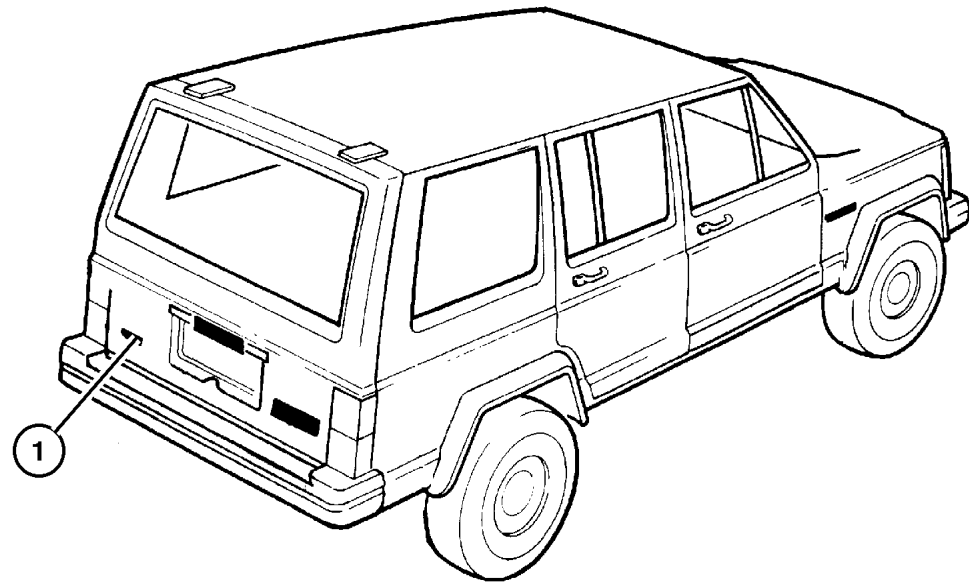
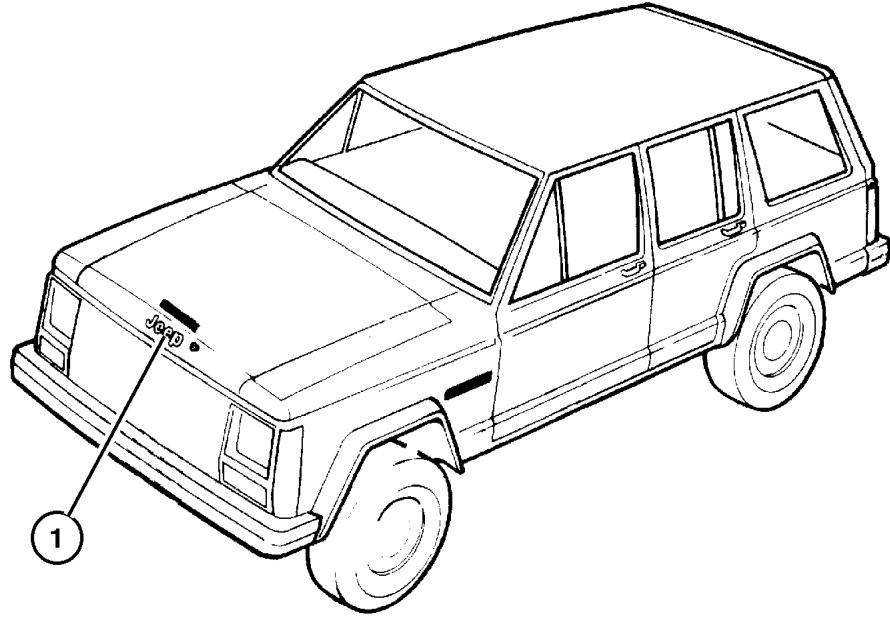
Decals Fig. EXJ-310



EXJ-100 Nameplates	EXJ-200 Moldings and Ornamentation	EXJ-300 Decals and Tapestripes	
			

Nameplates
Figure EXJ-110

ITEM	PART NUMBER	QTY	LINE	SERIES	BODY	DESCRIPTION
1						NAMEPLATE, Jeep
	5EM8 7SA1	1				Silver
	5515 5622	2	J, U			Chrome



JEEP CHEROKEE (XJ)				
SERIES	LINE	BODY	ENGINE	TRANSMISSION
P = Limited	J = LHD (4WD)	74=4 Dr. (101.4 WB)	ENC, EN0 = 2.5L 4 Cyl Turbo	DDD = 5 Speed Manual
S = Limited	U = RHD (4WD)	72=2 Dr. (101.4 WB)	ERH, ER0 = 4.0L Power Tech	DGS = 4 Speed Auto AISIN
H = Sport	T = LHD (2WD)			DG0 = All Automatic Trans
L = SE	B = RHD (2WD)			DBB = All Manual Trans

AR = Use as required - = Non illustrated part # = New this model year

May 2, 2002

**Moldings Body Side
Figure EXJ-215**

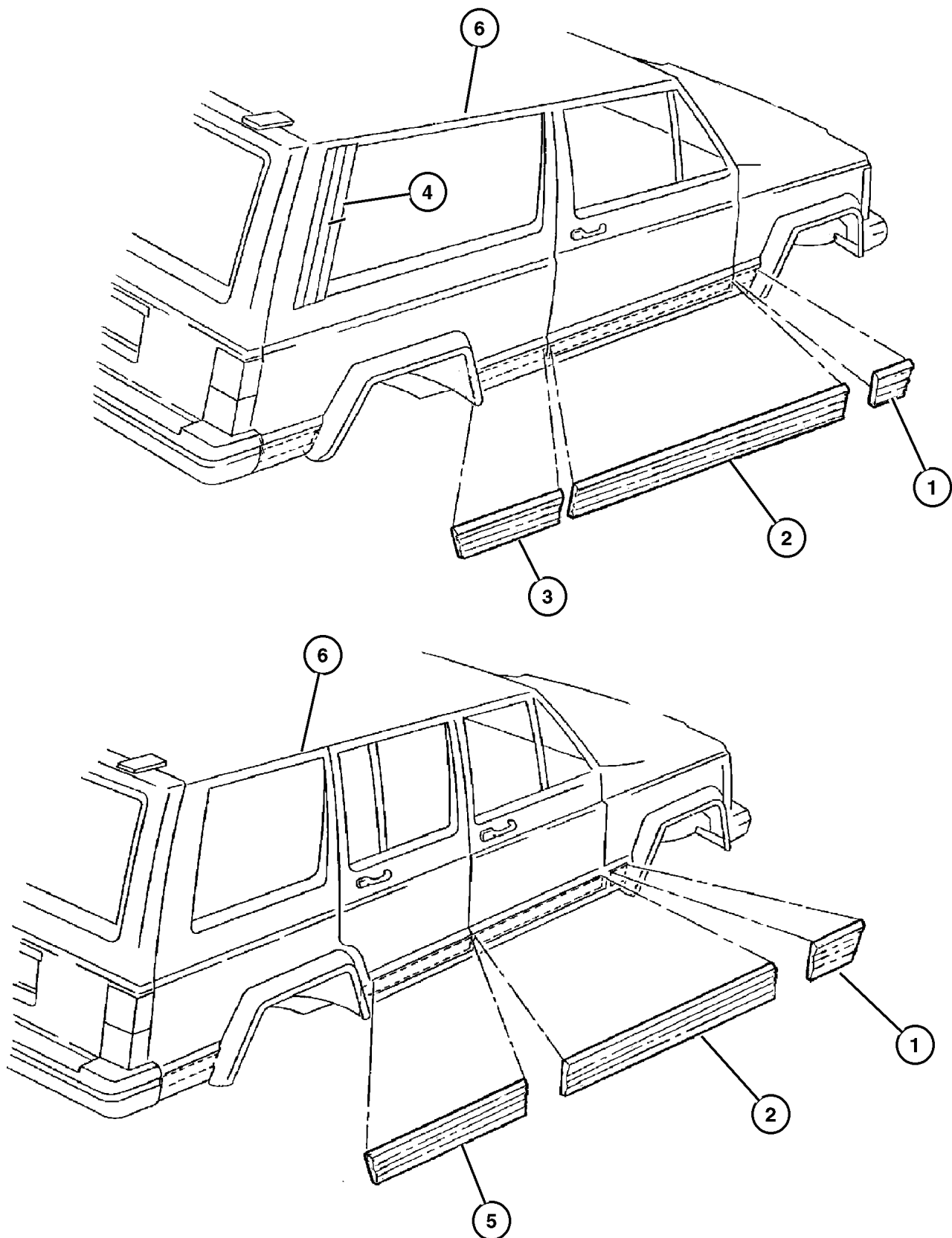
ITEM	PART NUMBER	QTY	LINE	SERIES	BODY	DESCRIPTION
1						MOLDING, Fender
	5DY12 DX9AD	1	J, T, U	H		[K2Z], Right
	5DY13 DX9AD	1	J, T, U	H		[K2Z], Left
	5EM46 DX8AD	1	J, T, U	P, S	74	[K2X], Right
	5EM46 PR4AD	1	J, T, U	P, S	74	[K2R], Right
	5EM46 SG8AD	1	J, T, U	P, S	74	[K2G], Right
	5EM46 SW1AD	1	J, T, U	P, S	74	[K2N], Right
	5EM46 WBTAD	1	J, T, U	P, S	74	[K2B], Right
	5EM46 XBQAD	1	J, T, U	P, S	74	[K2Q], Right
	5EM46 XS5AD	1	J, T, U	P, S	74	[K2L], Right
	5EM46 WU7AD	1	J, T, U	P, S	74	[K2U], Right
	5EM47 DX8AD	1	J, T, U	P, S	74	[K2X], Left
	5EM47 PR4AD	1	J, T, U	P, S	74	[K2R], Left
	5EM47 SG8AD	1	J, T, U	P, S	74	[K2G], Left
	5EM47 SW1AD	1	J, T, U	P, S	74	[K2N], Left
	5EM47 WBTAD	1	J, T, U	P, S	74	[K2B], Left
	5EM47 XBQAD	1	J, T, U	P, S	74	[K2Q], Left
	5EM47 XS5AD	1	J, T, U	P, S	74	[K2L], Left
	5EM47 WU7AD	1	J, T, U	P, S	74	[K2U], Left
2						MOLDING, Front Door
	5DY14 DX9AE	1	J, T	H	72	[K2Z], Right
	5DY15 DX9AE	1	J, T	H	72	[K2Z], Left
	5DY16 DX9AE	1	J, T, U	H	74	[K2Z], Right
	5DY17 DX9AE	1	J, T, U	H	74	[K2Z], Left
	5EM56 DX8AE	1	J, T, U	P, S	74	[K2X], Right
	5EM56 PR4AE	1	J, T, U	P, S	74	[K2R], Right
	5EM56 SG8AE	1	J, T, U	P, S	74	[K2G], Right
	5EM56 SW1AE	1	J, T, U	P, S	74	[K2N], Right
	5EM56 WBTAE	1	J, T, U	P, S	74	[K2B], Right
	5EM56 WU7AE	1	J, T, U	P, S	74	[K2U], Right
	5EM56 XBQAE	1	J, T, U	P, S	74	[K2Q], Right
	5EM56 XS5AE	1	J, T, U	P, S	74	[K2L], Right
	5EM57 DX8AE	1	J, T, U	P, S	74	[K2X], Left
	5EM57 PR4AE	1	J, T, U	P, S	74	[K2R], Left
	5EM57 SG8AE	1	J, T, U	P, S	74	[K2G], Left
	5EM57 SW1AE	1	J, T, U	P, S	74	[K2N], Left
	5EM57 WBTAE	1	J, T, U	P, S	74	[K2B], Left
	5EM57 WU7AE	1	J, T, U	P, S	74	[K2U], Left
	5EM57 XBQAE	1	J, T, U	P, S	74	[K2Q], Left
	5EM57 XS5AE	1	J, T, U	P, S	74	[K2L], Left
3						MOLDING, Quarter Panel
	5DY26 DX9AE	1	J, T	H	72	[K2Z], Right

JEEP CHEROKEE (XJ)

SERIES	LINE	BODY	ENGINE	TRANSMISSION
P = Limited	J = LHD (4WD)	74=4 Dr. (101.4 WB)	ENC, EN0 = 2.5L 4 Cyl Turbo	DDD = 5 Speed Manual
S = Limited	U = RHD (4WD)	72=2 Dr. (101.4 WB)	ERH, ER0 = 4.0L Power Tech	DGS = 4 Speed Auto AISIN
H = Sport	T = LHD (2WD)			DG0 = All Automatic Trans
L = SE	B = RHD (2WD)			DBB = All Manual Trans

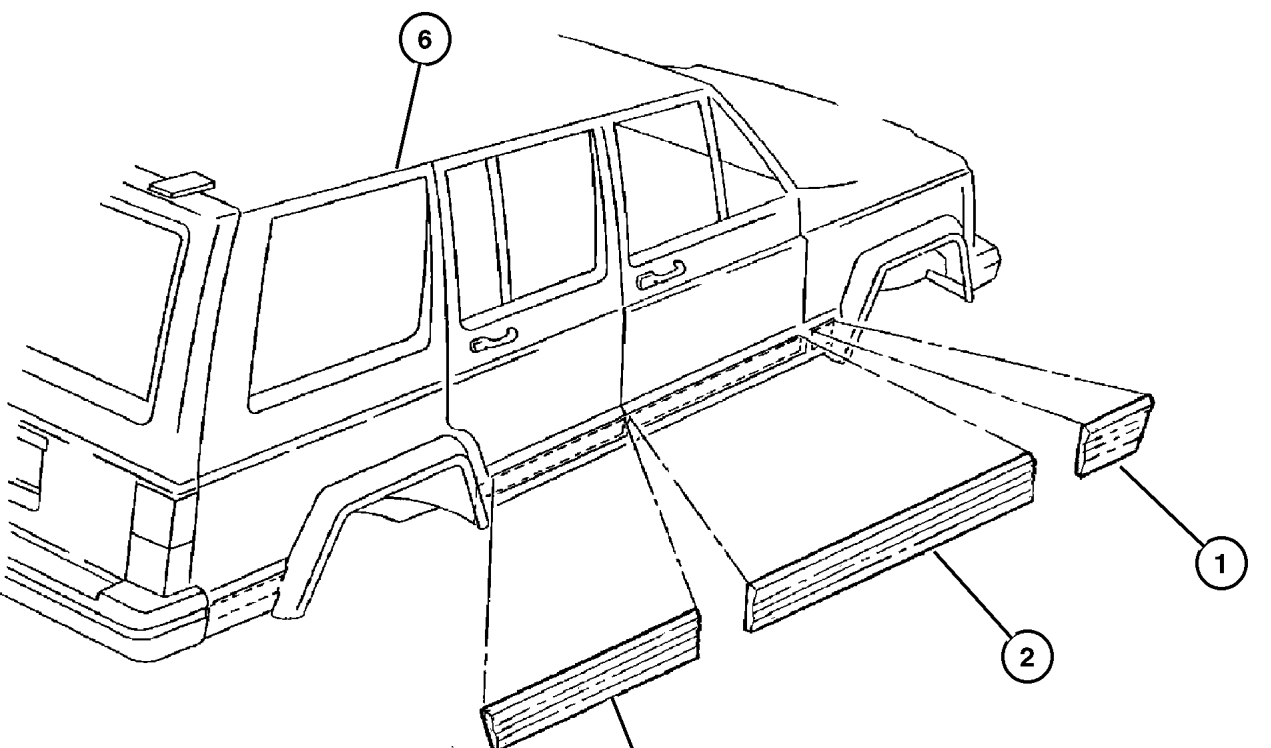
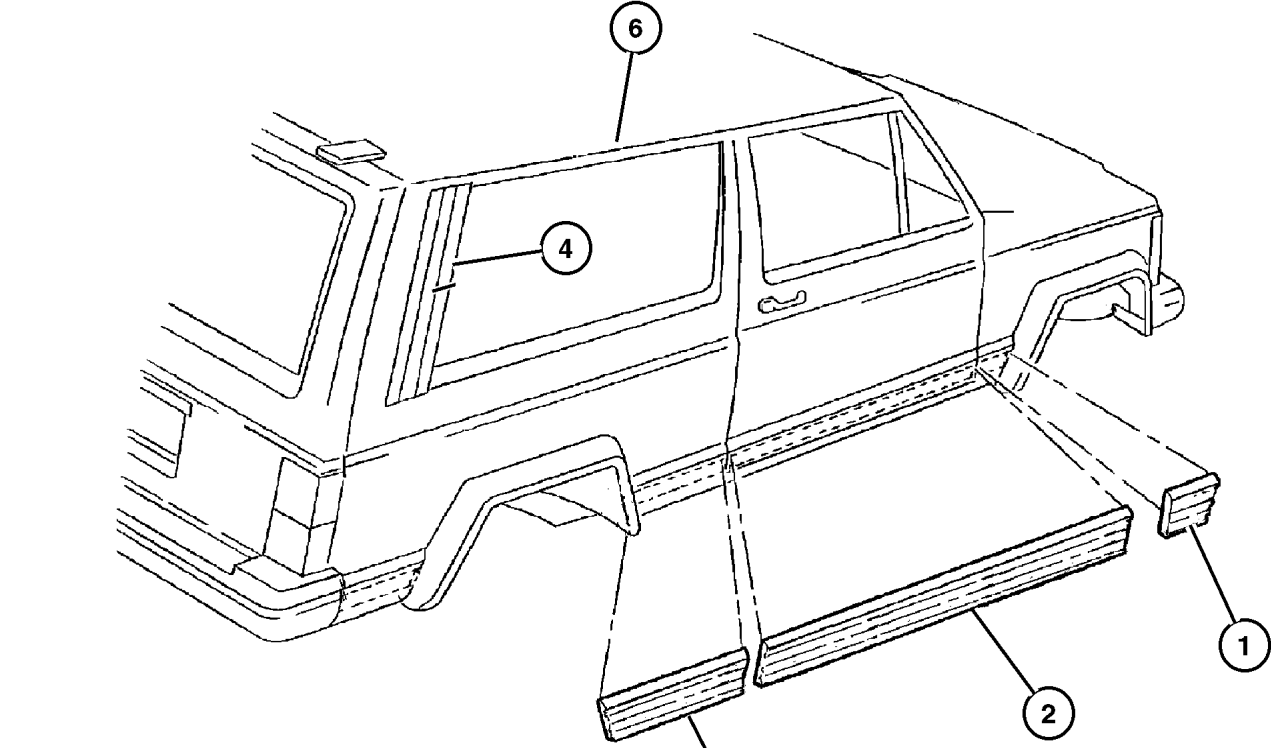
AR = Use as required - = Non illustrated part # = New this model year

May 2, 2002



**Moldings Body Side
Figure EXJ-215**

ITEM	PART NUMBER	QTY	LINE	SERIES	BODY	DESCRIPTION
	5DY27 DX9AE	1	J, T	H	72	[K2Z], Left
4						APPLIQUE, Quarter Window
	5502 5788	1	J, T, U		72	Right
	5502 5789	1	J, T, U		72	Left
5						MOLDING, Rear Door
	5DY18 DX9AE	1	J, T, U	H	74	[K2Z], Right
	5DY19 DX9AE	1	J, T, U	H	74	[K2Z], Left
	5EM58 DX8AE	1	J, T, U	P, S	74	[K2X], Right
	5EM58 PR4AE	1	J, T, U	P, S	74	[K2R], Right
	5EM58 SG8AE	1	J, T, U	P, S	74	[K2G], Right
	5EM58 SW1AE	1	J, T, U	P, S	74	[K2N], Right
	5EM58 WBTAE	1	J, T, U	P, S	74	[K2B], Right
	5EM58 WU7AE	1	J, T, U	P, S	74	[K2U], Right
	5EM58 XBQAE	1	J, T, U	P, S	74	[K2Q], Right
	5EM58 XS5AE	1	J, T, U	P, S	74	[K2L], Right
	5EM59 DX8AE	1	J, T, U	P, S	74	[K2X], Left
	5EM59 PR4AE	1	J, T, U	P, S	74	[K2R], Left
	5EM59 SG8AE	1	J, T, U	P, S	74	[K2G], Left
	5EM59 SW1AE	1	J, T, U	P, S	74	[K2N], Left
	5EM59 WBTAE	1	J, T, U	P, S	74	[K2B], Left
	5EM59 WU7AE	1	J, T, U	P, S	74	[K2U], Left
	5EM59 XBQAE	1	J, T, U	P, S	74	[K2Q], Left
	5EM59 XS5AE	1	J, T, U	P, S	74	[K2L], Left
6						MOLDING, Drip Rail
	4856 714	1				Right
	4856 715	1				Left
-7	5523 5518	10				CLIP, Roof Drip Molding



JEEP CHEROKEE (XJ)

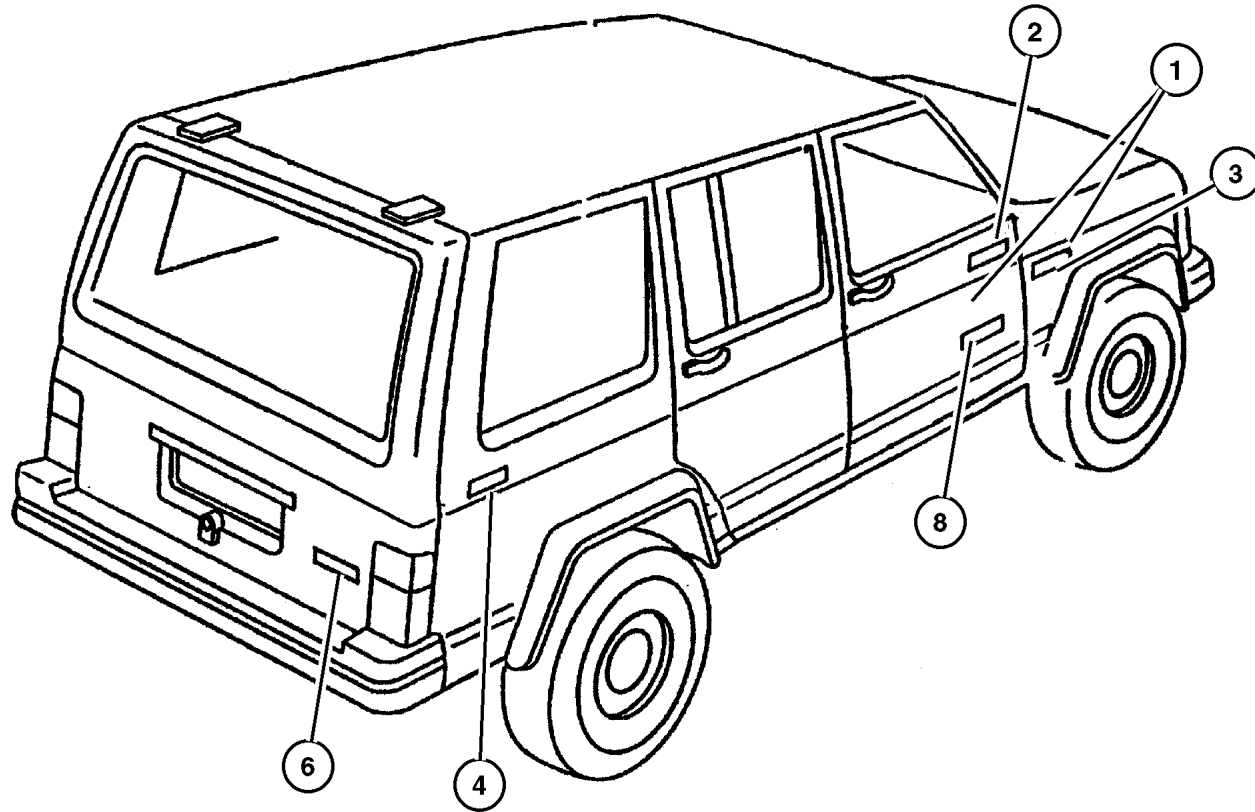
SERIES	LINE	BODY	ENGINE	TRANSMISSION
P = Limited	J = LHD (4WD)	74=4 Dr. (101.4 WB)	ENC, EN0 = 2.5L 4 Cyl Turbo	DDD = 5 Speed Manual
S = Limited	U = RHD (4WD)	72=2 Dr. (101.4 WB)	ERH, ER0 = 4.0L Power Tech	DGS = 4 Speed Auto AISIN
H = Sport	T = LHD (2WD)			DG0 = All Automatic Trans
L = SE	B = RHD (2WD)			DBB = All Manual Trans

AR = Use as required - = Non illustrated part # = New this model year

May 2, 2002

**Decals
Figure EXJ-310**

ITEM	PART NUMBER	QTY	LINE	SERIES	BODY	DESCRIPTION
1	5GN26 CA1AA	2				DECAL, Sport, Silver
2	5FY12 CA1AB	2			74	DECAL, Country, Silver
3						DIMENSIONAL GRAPHIC
	5GC82 CA1AA	2				Cherokee, Silver
	55156 022AA	2				Cherokee, Chrome
	55156 023AA	2				Limited, Chrome
	55156 026AA	1				4.0 Litre
4	5EM8 9SA1	2	J, U			NAMEPLATE, Jeep, 4x4, Silver
-5	5515 5623	2	J, U			NAMEPLATE, 4x4, Chrome, 4x4
6	5HD22 CA1AA	1				DECAL, 4.0 Litre High Output
-7	5FJ6 5CA1	1				DECAL, Liftgate, Turbo Diesel
8	5GM60 CA1AA	2				DECAL, Front Door, Classic
-9	#55156 599AA	2				DECAL, "60TH ANNIVERSARY EDITION"



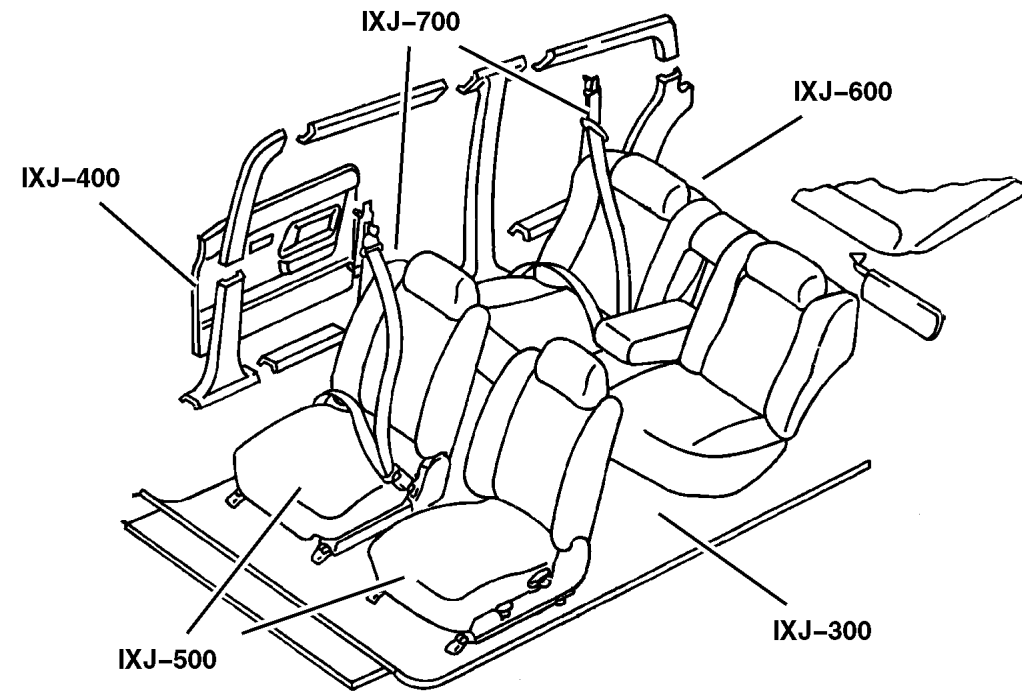
JEEP CHEROKEE (XJ)				
SERIES	LINE	BODY	ENGINE	TRANSMISSION
P = Limited	J = LHD (4WD)	74=4 Dr. (101.4 WB)	ENC, EN0 = 2.5L 4 Cyl Turbo	DDD = 5 Speed Manual
S = Limited	U = RHD (4WD)	72=2 Dr. (101.4 WB)	ERH, ER0 = 4.0L Power Tech	DGS = 4 Speed Auto AISIN
H = Sport	T = LHD (2WD)			DG0 = All Automatic Trans
L = SE	B = RHD (2WD)			DBB = All Manual Trans

AR = Use as required - = Non illustrated part # = New this model year

May 2, 2002

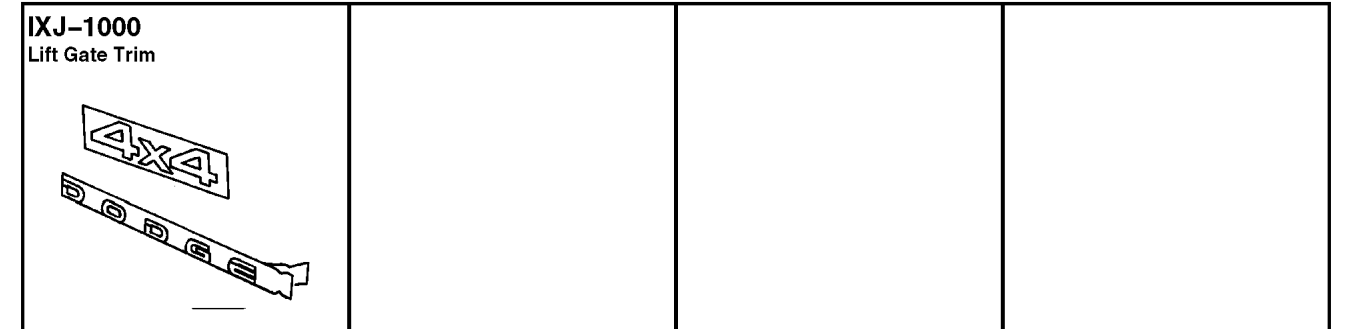
Group – IXJ

Interior Trim



Group – IXJ

Interior Trim



<p>IXJ-100 Headliner and Visor</p>	<p>IXJ-200 Moldings, Scuff Plates</p>	<p>IXJ-300 Carpet and Tonneau Cover</p>	<p>IXJ-400 Door Trim Panels-Front and Sliding</p>
<p>IXJ-500 Front Seats and Attaching Parts</p>	<p>IXJ-600 Rear Seats and Attaching Parts</p>	<p>IXJ-700 Seat Belts-Front and Rear</p>	<p>IXJ-800 Adjusters, Covers, Shields, and Risers</p>

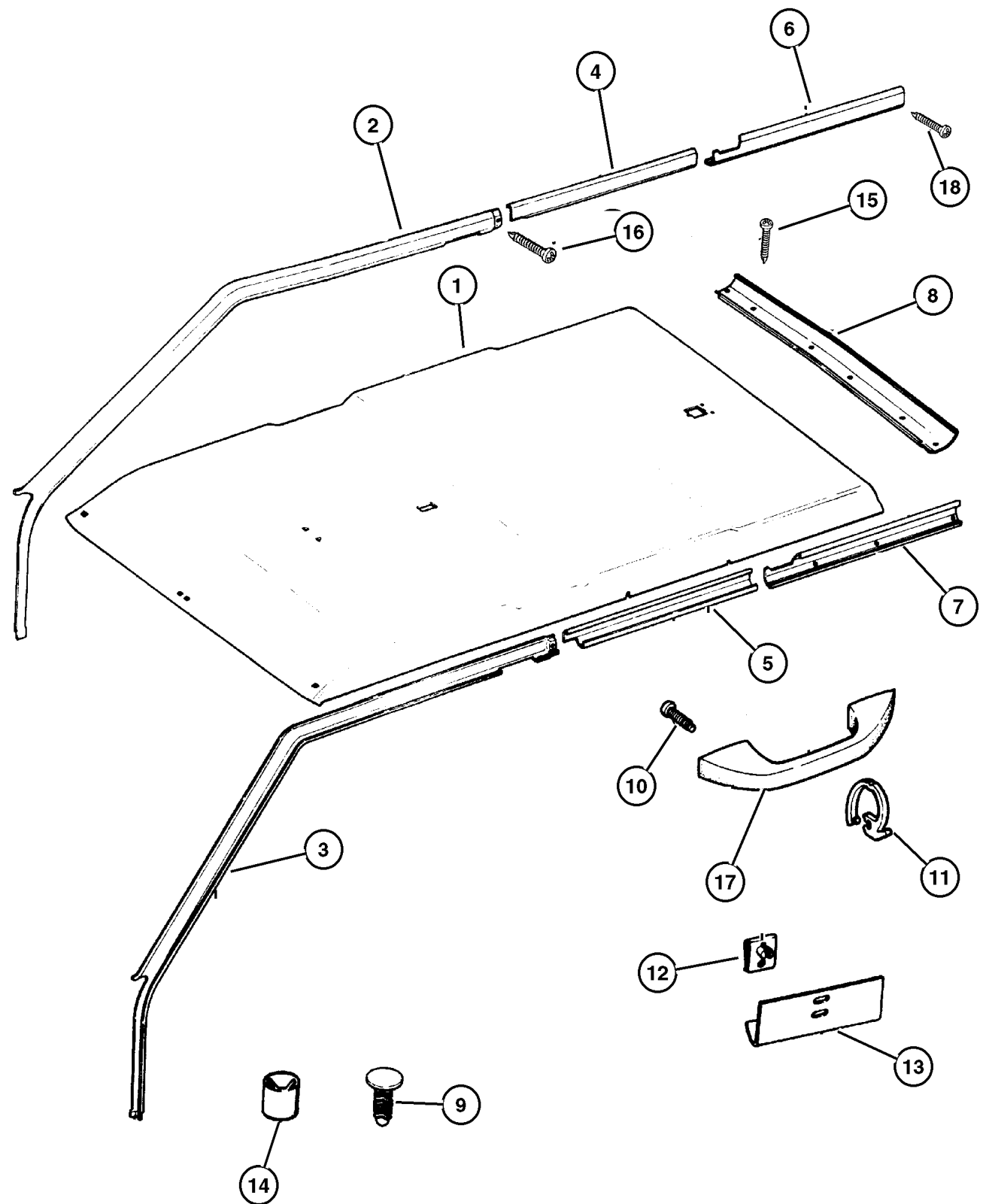
GROUP IXJ - Interior Trim

Illustration Title	Group-Fig. No.
Headliner and Visor	
Headliner and Upper Trim Moldings	Fig. IXJ-110
Visors and Vanity Mirrors	Fig. IXJ-120
Moldings, Scuff Plates	
Panels, Interior Trim, Front, 2 Door	Fig. IXJ-210
Panels, Interior Trim, Rear, 2 Door	Fig. IXJ-215
Panels, Interior Trim, Front, 4 Door	Fig. IXJ-220
Panels, Interior Trim, Rear, 4 Door	Fig. IXJ-225
Carpet and Tonneau Cover	
Carpets and Mats	Fig. IXJ-310
Insulation	Fig. IXJ-320
Cover, Cargo	Fig. IXJ-330
Door Trim Panels-Front and Sliding	
Interior Trim Parts, 2 Door	Fig. IXJ-410
Interior Trim Parts, 4 Door	Fig. IXJ-420
Front Seats and Attaching Parts	
Seat Covers and Seat Assemblies	Fig. IXJ-510
Rear Seats and Attaching Parts	
Frame and Pad	Fig. IXJ-610
Covers, Seat Upholstery	Fig. IXJ-620
Seat Belts-Front and Rear	
Seat Belts, Front Seat 2 Door	Fig. IXJ-710
Seat Belts, Front Seat 4 Door	Fig. IXJ-720
Seat Belts, Rear Seats	Fig. IXJ-730
Adjusters, Covers, Shields, and Risers	
Recliner and Adjuster	Fig. IXJ-810
Lift Gate Trim	
Liftgate Trim Panel	Fig. IXJ-1010



Headliner and Upper Trim Moldings Figure IXJ-110

ITEM	PART NUMBER	QTY	LINE	SERIES	BODY	TRIM	DESCRIPTION
[P.A.R.] = Paint As Required Shocks---Check VIN Number for The Type of 'Z' Code Springs are on The Truck							
1	HEADLINER						
	#UR03 HW8AA	1					[AZ], Lamp Front Dome, [LCK]
	#UR03 RK5AA	1					[K5], Lamp Front Dome, [LCK]
	#UR04 HW8AA	1					[AZ], Map and Dome Reading Lamp, [LCD]
	#UR04 RK5AA	1					[K5], Map and Dome Reading Lamp, [LCD]
	#UR05 HW8AA	1					[AZ], With Overhead Console, [CUN]
	#UR05 RK5AA	1					[K5], With Overhead Console, [CUN]
2	MOLDING, Windshield Garnish						
	5GG38 LAZAE	1			74		[AZ], Right
	5GG38 RK5AE	1			74		[K5], Right
	5GG48 LAZAE	1	J, T, U		72		[AZ], Right
	5GG48 RK5AE	1	J, T, U		72		[K5], Right
3	MOLDING, Windshield Garnish						
	5GG43 LAZAE	1	J, T		74		[AZ], Left
		1	B, U		74		[AZ], Left
	5GG43 RK5AE	1	J, T		74		[K5], Left
		1	B, U		74		[K5], Left
	5GG49 LAZAE	1	J, T		72		[AZ], Left
	5GG49 RK5AE	1	J, T		72		[K5], Left
4	5AC62 LAZAB	1			74		MOLDING, Headliner, [P.A.R.], Right
5	5AC63 LAZAB	1			74		MOLDING, Headliner, [P.A.R.], Left
6	MOLDING, Headliner						
	5AC26 LAZAB	1			74		[P.A.R.], Right
	5AD74 LAZAB	1	J, T, U		72		[P.A.R.], Right
7	MOLDING, Headliner						
	5AC27 LAZAB	1			74		[P.A.R.], Left
	5AD75 LAZAB	1	J, T, U		72		[P.A.R.], Left
8	MOLDING, Liftgate Upper						
	5ER43 LAZAD	1					[AZ], Up to 11/15/00
	5ER43 RK5AD	1					[K5], Up to 11/15/00
	#5ER43 LAZAF	1					[AZ], After 11/15/00
	#5ER43 RK5AF	1					[K5], After 11/15/00
9	PIN, Push, M6.3x19.84						
	6504 995AA	4	J, T, U		72		
		4			74		
10	SCREW, Pan Head Torx, M5x0.8x30.00						
	3420 2189	6	J, T				
		8	B, U				
11	5AD9 1LAZ	2					HOOK, Coat, [P.A.R.]
12	J400 0322	2					CLIP, U Type, .625x.719x.020
13	J368 1225	2					CLIP, Headliner Mounting



JEEP CHEROKEE (XJ)

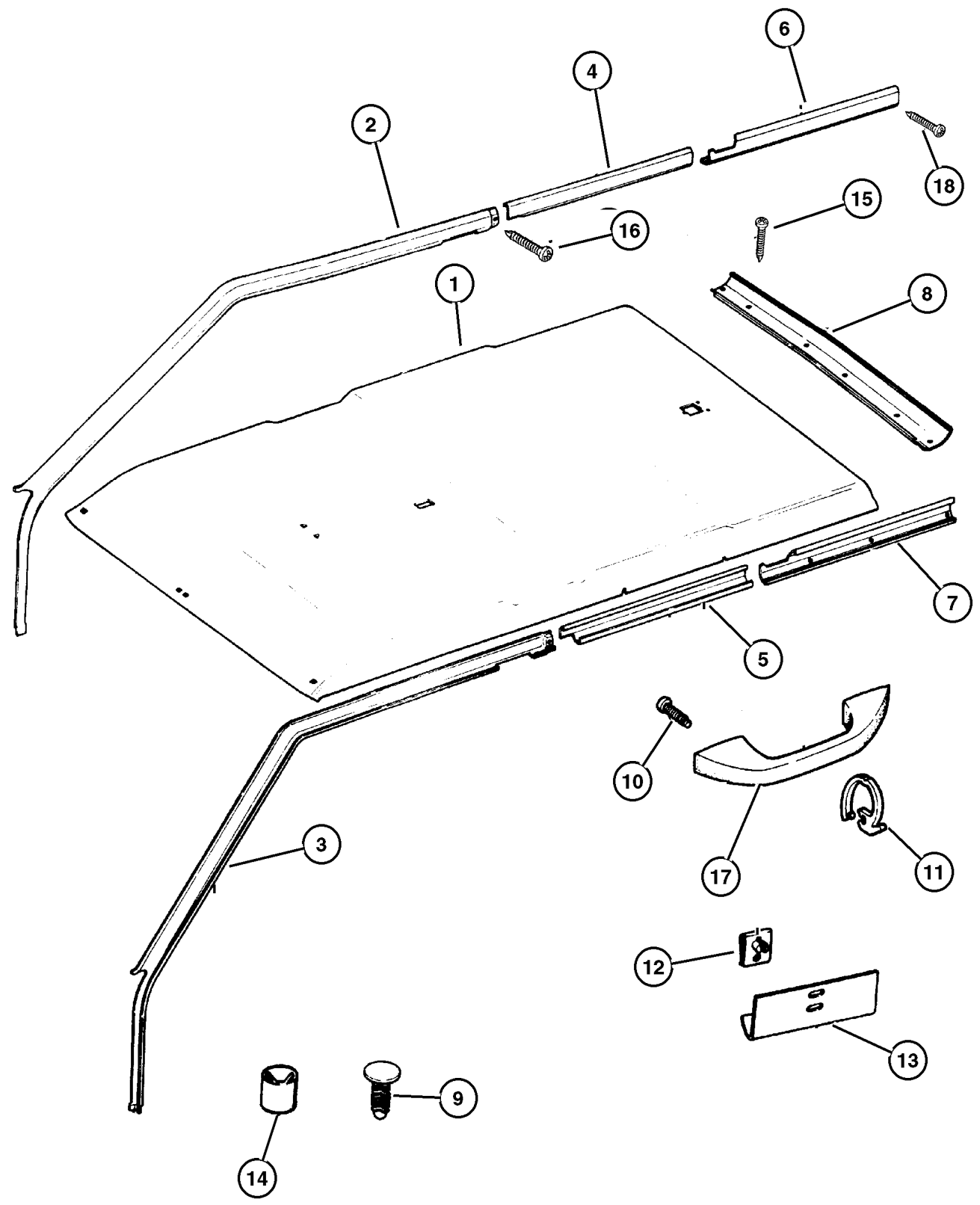
SERIES	LINE	BODY	ENGINE	TRANSMISSION
P = Limited	J = LHD (4WD)	74=4 Dr. (101.4 WB)	ENC, EN0 = 2.5L 4 Cyl Turbo	DDD = 5 Speed Manual
S = Limited	U = RHD (4WD)	72=2 Dr. (101.4 WB)	ERH, ER0 = 4.0L Power Tech	DGS = 4 Speed Auto AISIN
H = Sport	T = LHD (2WD)			DG0 = All Automatic Trans
L = SE	B = RHD (2WD)			DBB = All Manual Trans

AR = Use as required - = Non illustrated part # = New this model year

May 2, 2002

Headliner and Upper Trim Moldings Figure IXJ-110

ITEM	PART NUMBER	QTY	LINE	SERIES	BODY	TRIM	DESCRIPTION
14	5500 2520	2	J, T, U		72		SPACER, Headliner Molding Rear
15							SCREW, .164-18x.75, (NOT SERVICED)
16							SCREW, Pan Head, .164-18x.75, (NOT SERVICED)
17							HANDLE, Roof Grab
	5CX1 0LAZ	3	J, T				[AZ]
		4	B, U				[AZ]
	5CX1 0RK5	3	J, T				[K5]
		4	B, U				[K5]
18							SCREW DRILL, Oval Truss Head, .164x18x1.378, (NOT SERVICED)



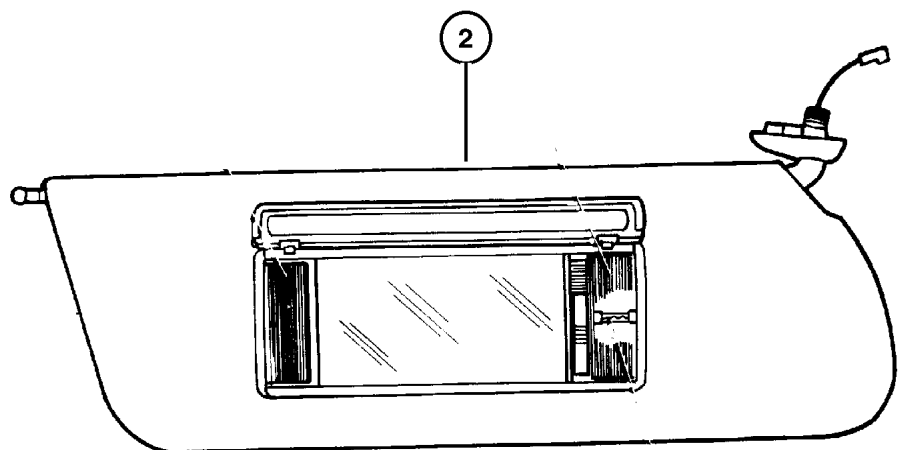
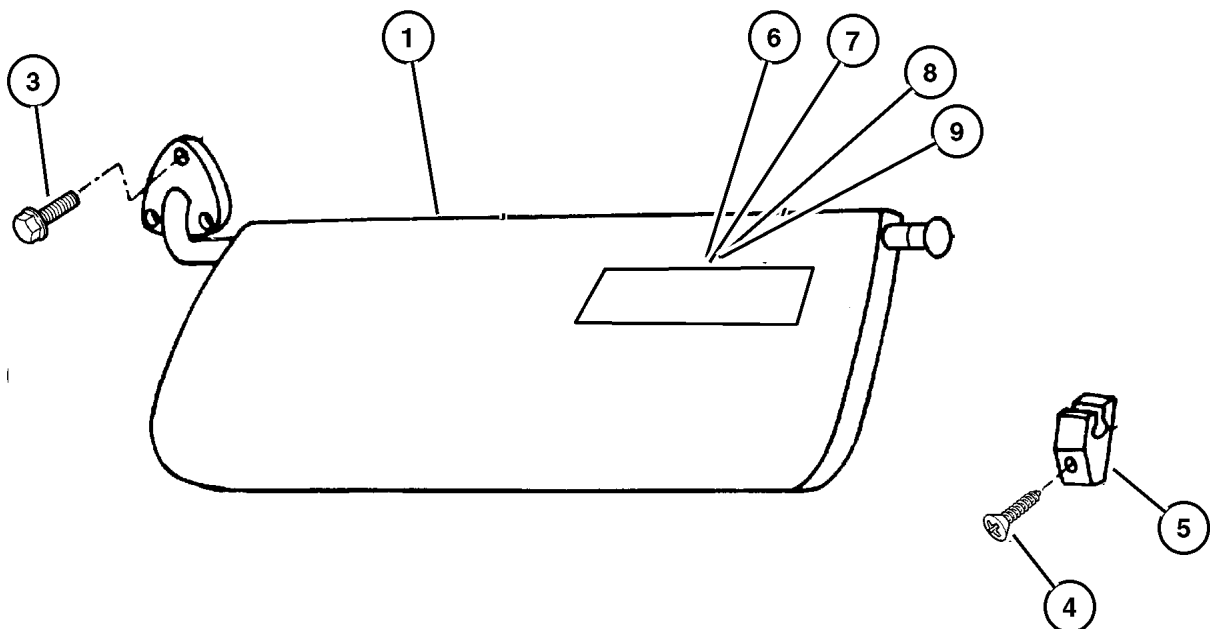
JEEP CHEROKEE (XJ)				
SERIES	LINE	BODY	ENGINE	TRANSMISSION
P = Limited	J = LHD (4WD)	74=4 Dr. (101.4 WB)	ENC, EN0 = 2.5L 4 Cyl Turbo	DDD = 5 Speed Manual
S = Limited	U = RHD (4WD)	72=2 Dr. (101.4 WB)	ERH, ER0 = 4.0L Power Tech	DGS = 4 Speed Auto AISIN
H = Sport	T = LHD (2WD)			DG0 = All Automatic Trans
L = SE	B = RHD (2WD)			DBB = All Manual Trans

AR = Use as required - = Non illustrated part # = New this model year

May 2, 2002

Visors and Vanity Mirrors
Figure IXJ-120

ITEM	PART NUMBER	QTY	LINE	SERIES	BODY	TRIM	DESCRIPTION
1							VISOR
	5FX36 1K5AD	1					[K5], Right
	5FX36 1W8AD	1					[AZ], Right
	5FX37 1K5AD	1					[K5], Left
	5FX37 1W8AD	1					[AZ], Left
2							VISOR, Illuminated
	5FX34 1K5AD	1					[K5], Right
	5FX34 1W8AD	1					[AZ], Right
	5FX35 1K5AD	1					[K5], Left
	5FX35 1W8AD	1					[AZ], Left
3	6036 201AA	6					SCREW, Oval Head Tapping, .164x18x.984
4	3420 1398	2					SCREW AND WASHER, Oval Truss Head, .164-18x.984
5							CLIP, Visor
	DF49 HW8AB	2					[AZ]
	DF49 RK5AB	2					[K5]
6							LABEL, Transfer Case Shift
	5300 9357	1	J, U				English, With 242
	5300 9358	1	J, U				Bilingual, With 242
7	52006 337AB	1					LABEL, Diesel Starting
8	4787 437AA	2	J, T				LABEL, Air Bag Warning, English and French, 5 Points
9	4897 875AA	1					LABEL, Airbag

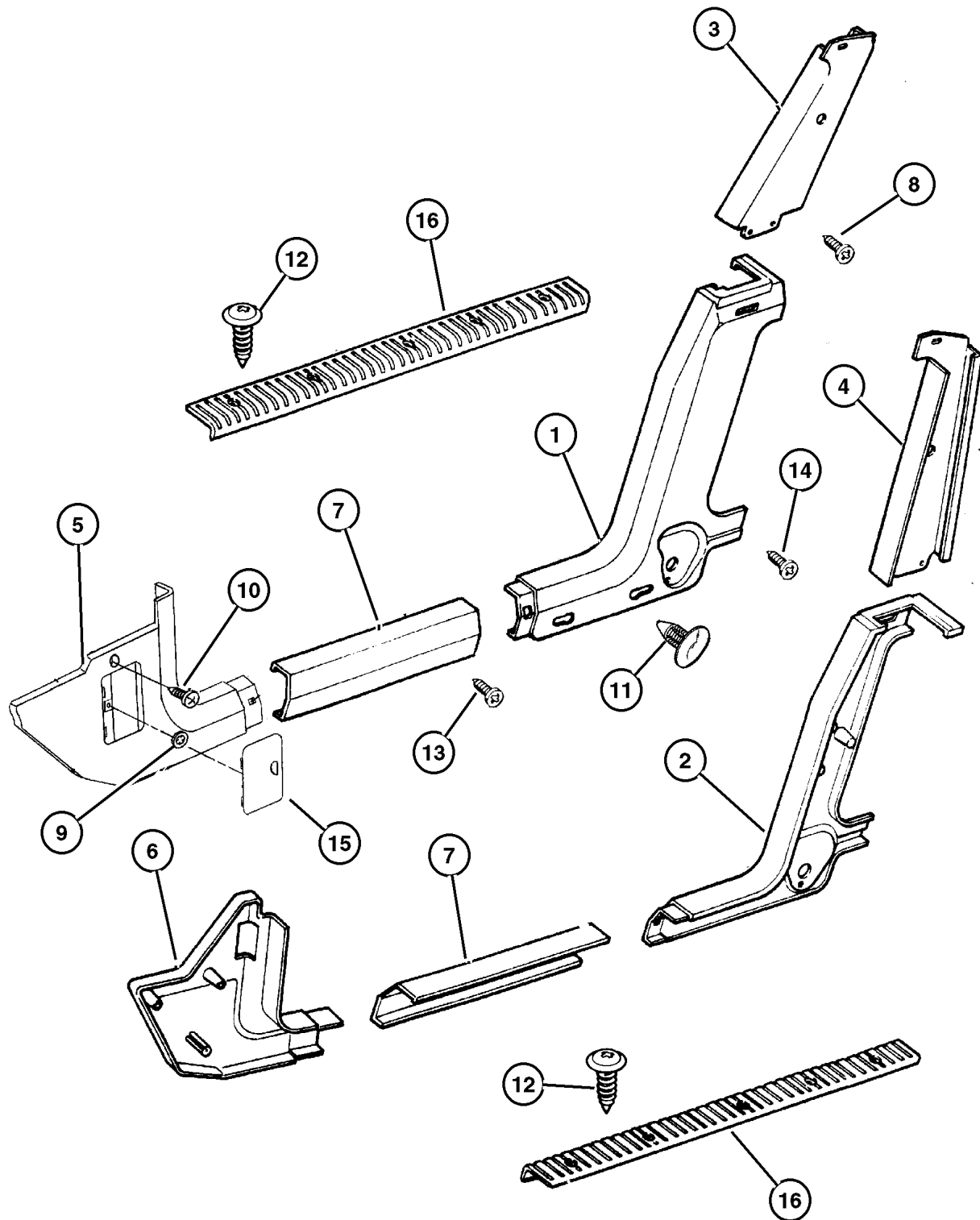


JEEP CHEROKEE (XJ)				
SERIES	LINE	BODY	ENGINE	TRANSMISSION
P = Limited	J = LHD (4WD)	74=4 Dr. (101.4 WB)	ENC, EN0 = 2.5L 4 Cyl Turbo	DDD = 5 Speed Manual
S = Limited	U = RHD (4WD)	72=2 Dr. (101.4 WB)	ERH, ER0 = 4.0L Power Tech	DGS = 4 Speed Auto AISIN
H = Sport	T = LHD (2WD)			DG0 = All Automatic Trans
L = SE	B = RHD (2WD)			DBB = All Manual Trans

AR = Use as required - = Non illustrated part # = New this model year

May 2, 2002

Panels, Interior Trim, Front, 2 Door
Figure IXJ-210



ITEM	PART NUMBER	QTY	LINE	SERIES	BODY	TRIM	DESCRIPTION
[P.A.R.] = Paint As Required Shocks---Check VIN Number for The Type of 'Z' Code Springs are on The Truck							
1	5EW90 LAZAE	1	J, T, U		72		EXTENSION, B Pillar, [P.A.R.]
2	5EW91 LAZAE	1	J, T, U		72		EXTENSION, B Pillar, [P.A.R.]
3	5ER16 LAZAG	1	J, T, U		72		COVER, Lock Pillar [AZ], Right
	5ER16 RK5AG	1	J, T, U		72		[K5], Right
4	5ER17 LAZAG	1	J, T, U		72		COVER, Lock Pillar [AZ], Left
	5ER17 RK5AG	1	J, T, U		72		[K5], Left
5	5EG14 LAZAE	1					PANEL, Cowl Side Trim [AZ], Right
	5EG14 RK5AE	1					[K5], Right
6	5EG17 LAZAD	1	J, T				PANEL, Cowl Side Trim [AZ], Left
	5EG17 RK5AD	1	J, T				[K5], Left
	5ES93 LAZAD	1	B, U				[AZ], Left
	5ES93 RK5AD	1	B, U				[K5], Left
7	5EW7 8LAZ	1	J, T, U		72		PLATE, Scuff [AZ], Right
	5EW7 8RK5	1	J, T, U		72		[K5], Right
	5EW7 9LAZ	1	J, T, U		72		[AZ], Left
	5EW7 9RK5	1	J, T, U		72		[K5], Left
8	3420 1314	4	J, T, U		72		SCREW, Tapping Round Head, .164x18x1.232
9	6033 560	1					NUT AND WASHER, Hex Nut-Coned Washer, .25-20
10							SCREW AND WASHER, Pan Head, .19-16x1, (NOT SERVICED)
11	6504 995AA	4	J, T, U		72		PIN, Push, M6.3x19.84
12							SCREW, .164-18x.500, (NOT SERVICED)
13							SCREW, Pan Head, .164-18x1.25, (NOT SERVICED)
14	3420 1400	2	J, T, U		72		SCREW AND FINISH WASHER, Oval Head TR, 40mm Long
15	5FU34 LAZAB	1					DOOR, Fuse Access [AZ]
	5FU34 RK5AB	1					[K5]
16	5500 3374	2	J, T, U		72		PLATE, Scuff

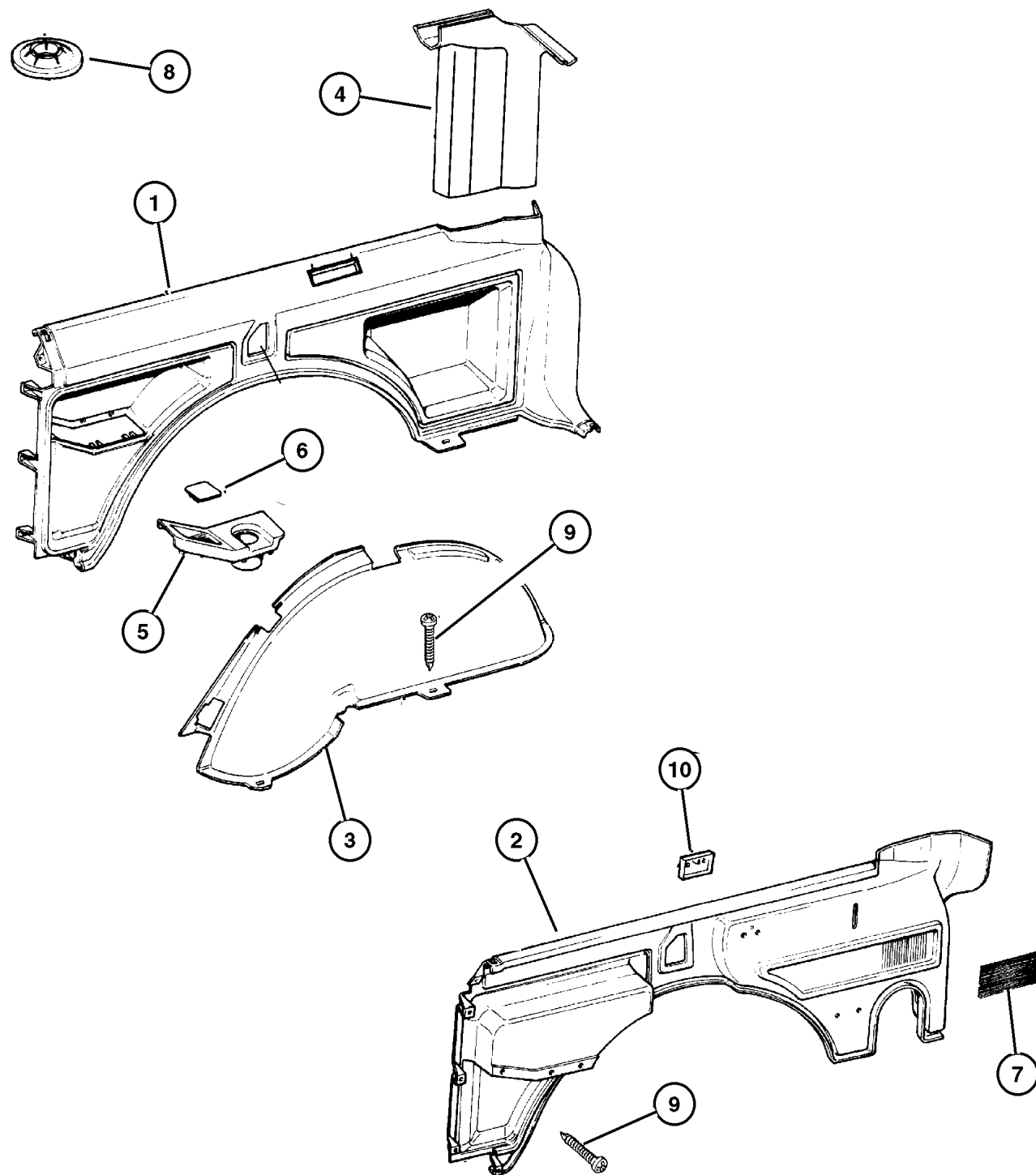
JEEP CHEROKEE (XJ)

SERIES	LINE	BODY	ENGINE	TRANSMISSION
P = Limited	J = LHD (4WD)	74=4 Dr. (101.4 WB)	ENC, EN0 = 2.5L 4 Cyl Turbo	DDD = 5 Speed Manual
S = Limited	U = RHD (4WD)	72=2 Dr. (101.4 WB)	ERH, ER0 = 4.0L Power Tech	DGS = 4 Speed Auto AISIN
H = Sport	T = LHD (2WD)			DG0 = All Automatic Trans
L = SE	B = RHD (2WD)			DBB = All Manual Trans

AR = Use as required - = Non illustrated part # = New this model year

May 2, 2002

**Panels, Interior Trim, Rear, 2 Door
Figure IXJ-215**



ITEM	PART NUMBER	QTY	LINE	SERIES	BODY	TRIM	DESCRIPTION
1							PANEL, Quarter Trim
	5EG04 LAZAF	1	J, T, U		72		[AZ], Right
	5EG04 RK5AF	1	J, T, U		72		[K5], Right
2							PANEL, Quarter Trim
	5EG05 LAZAG	1	J, T, U		72		[AZ], Left
	5EG05 RK5AG	1	J, T, U		72		[K5], Left
3							PANEL, Wheelhouse
	5AC58 LAZAB	1					[AZ], Right
	5AC58 RK5AB	1					[K5], Right
	5AC59 LAZAB	1					[AZ], Left
	5AC59 RK5AB	1					[K5], Left
4							COVER, Liftgate Pillar
	5ER40 LAZAD	1	J, T, U		72		[AZ], Up to 11/15/00, Right
	5ER40 RK5AD	1	J, T, U		72		[K5], Up to 11/15/00, Right
	5ER41 LAZAD	1	J, T, U		72		[AZ], Up to 11/15/00, Left
	5ER41 RK5AD	1	J, T, U		72		[K5], Up to 11/15/00, Left
	#5ER40 LAZAE	1	J, T, U		72		[AZ], After 11/15/00, Right
	#5ER40 RK5AE	1	J, T, U		72		[K5], After 11/15/00, Right
	#5ER41 LAZAE	1	J, T, U		72		[AZ], After 11/15/00, Left
	#5ER41 RK5AE	1	J, T, U		72		[K5], After 11/15/00, Left
5							COVER, Armrest, Serviced in Quarter Trim Panel, (NOT SERVICED)
6							COVER, Ash Receiver Opening
	5AC6 4LAZ	2	J, T, U		72		[AZ]
	5AC6 4RK5	2	J, T, U		72		[K5]
7	5500 4406	1	J, T, U		72		SCREEN, Louvre
8	3420 1481	6	J, T, U		72		NUT, Push On
9	3420 1468	4					SCREW, Round Washer Head, M4.2x1.41x25.00
10							REST, Spare Tire, (NOT SERVICED)

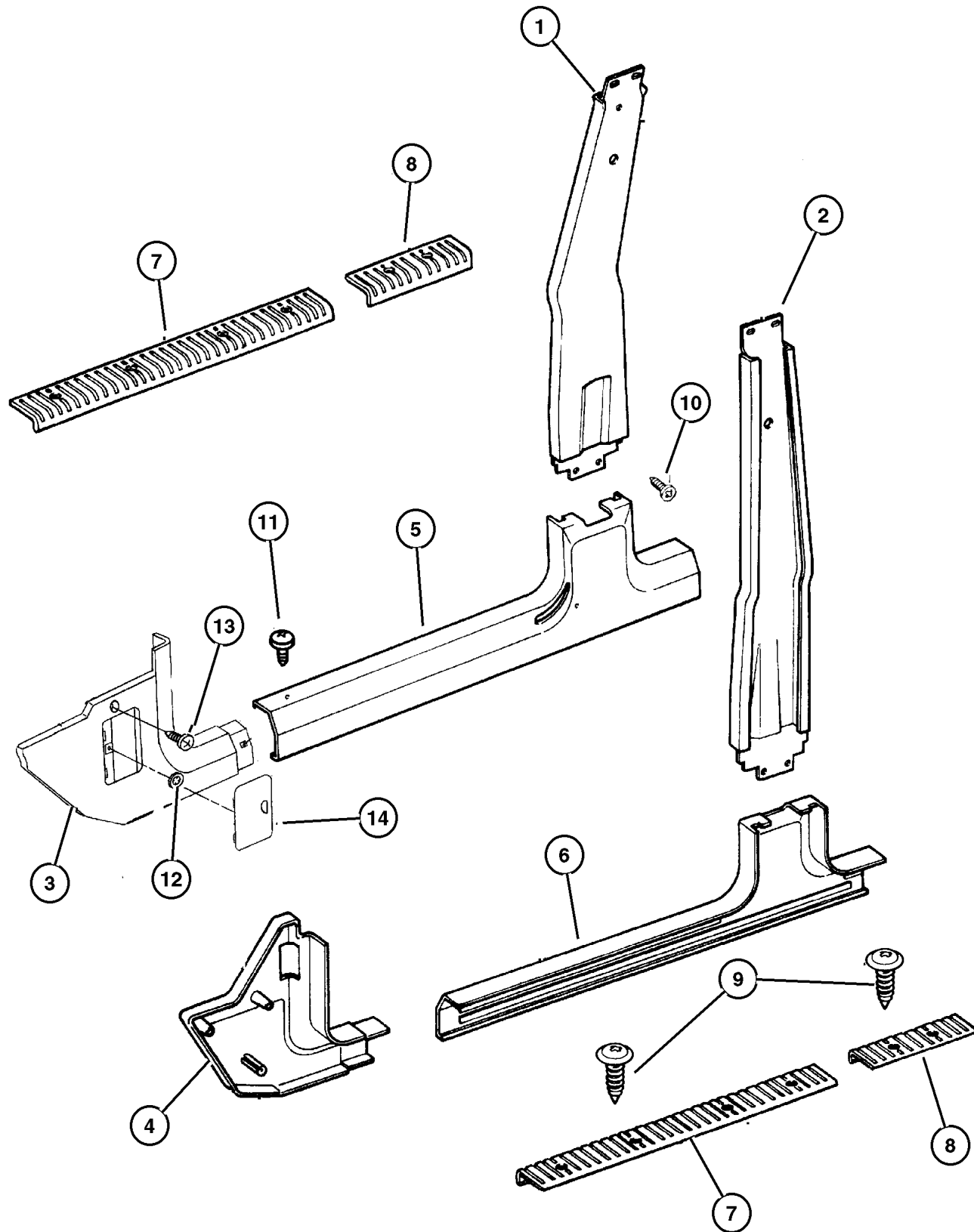
JEEP CHEROKEE (XJ)

SERIES	LINE	BODY	ENGINE	TRANSMISSION
P = Limited	J = LHD (4WD)	74=4 Dr. (101.4 WB)	ENC, EN0 = 2.5L 4 Cyl Turbo	DDD = 5 Speed Manual
S = Limited	U = RHD (4WD)	72=2 Dr. (101.4 WB)	ERH, ER0 = 4.0L Power Tech	DGS = 4 Speed Auto AISIN
H = Sport	T = LHD (2WD)			DG0 = All Automatic Trans
L = SE	B = RHD (2WD)			DBB = All Manual Trans

AR = Use as required - = Non illustrated part # = New this model year

May 2, 2002

Panels, Interior Trim, Front, 4 Door
Figure IXJ-220



ITEM	PART NUMBER	QTY	LINE	SERIES	BODY	TRIM	DESCRIPTION
[P.A.R.] = Paint As Required Shocks---Check VIN Number for The Type of 'Z' Code Springs are on The Truck							
1	5ER20 RK5AE	1			74		COVER, B Pillar Trim Panel, [P.A.R.], Right
2	5ER21 RK5AE	1			74		COVER, B Pillar Trim Panel, [P.A.R.], Left
3	5EG14 LAZAE	1					PANEL, Cowl Side Trim [AZ], Right
	5EG14 RK5AE	1					[K5], Right
4	5EG17 LAZAD	1	J, T				PANEL, Cowl Side Trim [AZ], Left
	5EG17 RK5AD	1	J, T				[K5], Left
	5ES93 LAZAD	1	B, U				[AZ], Left
	5ES93 RK5AD	1	B, U				[K5], Left
5	5EW80 LAZAE	1			74		COVER, B Pillar Trim Panel [AZ], Right
	5EW80 RK5AE	1			74		[K5], Right
6	5EW81 LAZAE	1			74		COVER, B Pillar Trim Panel [AZ], Left
	5EW81 RK5AE	1			74		[K5], Left
7	5500 3370	2			74		PLATE, Scuff, Front
8	5500 3372	2			74		PLATE, Scuff, Rear
9							SCREW, [.164-18x.500], (NOT SERVICED)
10	6504 995AA	2			74		PIN, Push, M6.3x19.84
11	3420 1400	10			74		SCREW AND FINISH WASHER, Oval Head TR, 40mm Long
12	6033 560	1					NUT AND WASHER, Hex Nut-Coned Washer, .25-20
13	3420 1468	2					SCREW, Round Washer Head, M4.2x1.41x25.00
14	5FU34 LAZAB	1					DOOR, Fuse Access [AZ]
	5FU34 RK5AB	1					[K5]

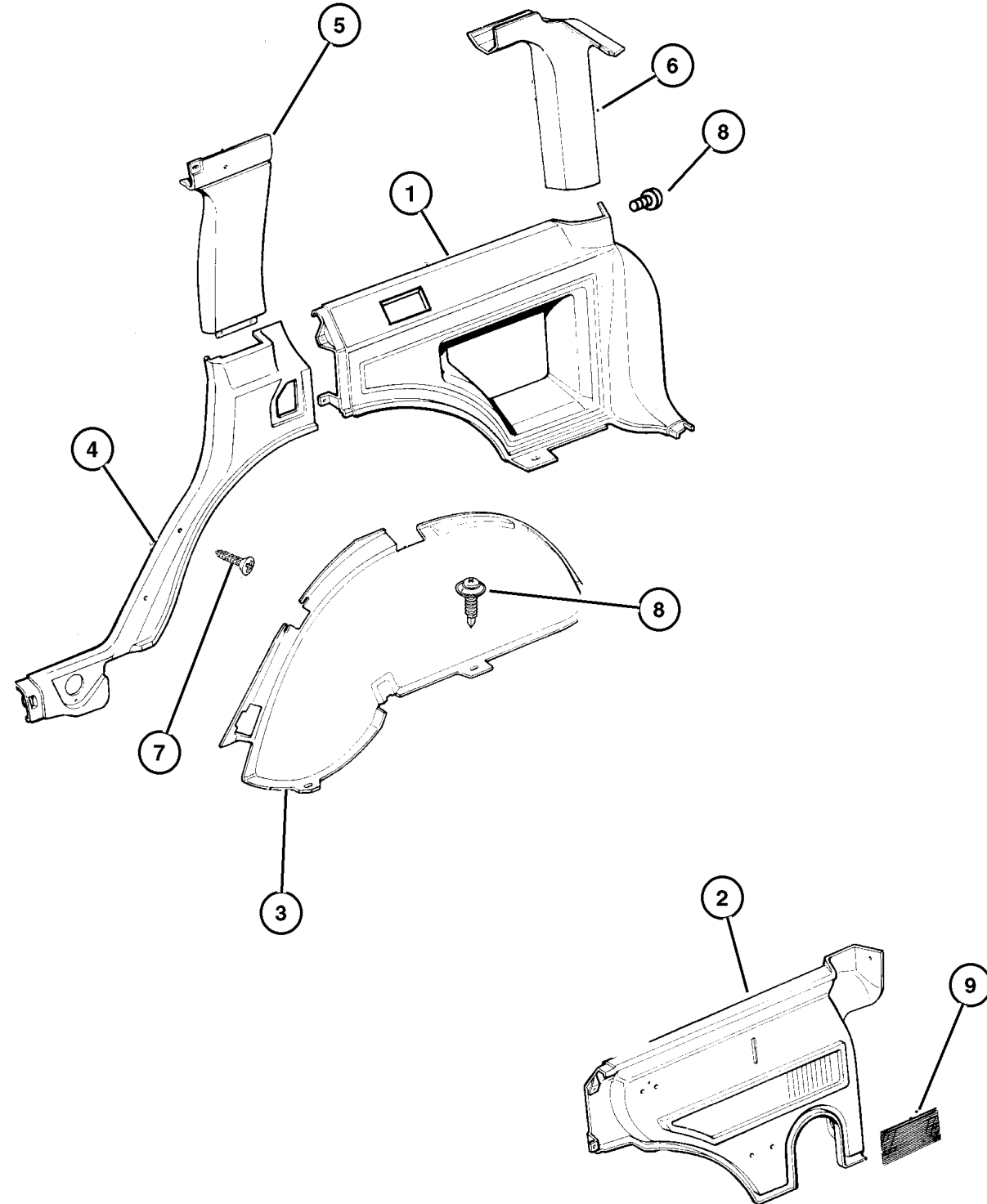
JEEP CHEROKEE (XJ)

SERIES	LINE	BODY	ENGINE	TRANSMISSION
P = Limited	J = LHD (4WD)	74=4 Dr. (101.4 WB)	ENC, EN0 = 2.5L 4 Cyl Turbo	DDD = 5 Speed Manual
S = Limited	U = RHD (4WD)	72=2 Dr. (101.4 WB)	ERH, ER0 = 4.0L Power Tech	DGS = 4 Speed Auto AISIN
H = Sport	T = LHD (2WD)			DG0 = All Automatic Trans
L = SE	B = RHD (2WD)			DBB = All Manual Trans

AR = Use as required - = Non illustrated part # = New this model year

May 2, 2002

**Panels, Interior Trim, Rear, 4 Door
Figure IXJ-225**



ITEM	PART NUMBER	QTY	LINE	SERIES	BODY	TRIM	DESCRIPTION
[P.A.R.] = Paint As Required Shocks----Check VIN Number for The Type of 'Z' Code Springs are on The Truck							
1	5EG02 LAZAE	1			74		PANEL, Quarter Trim [AZ], Right
	5EG02 RK5AE	1			74		[K5], Right
2	5EG03 LAZAG	1			74		PANEL, Quarter Trim [AZ], Left
	5EG03 RK5AG	1			74		[K5], Left
3	5AC58 LAZAB	1					PANEL, Wheelhouse [AZ], Right
	5AC58 RK5AB	1					[K5], Right
	5AC59 LAZAB	1					[AZ], Left
	5AC59 RK5AB	1					[K5], Left
4	5GM58 LAZAF	1			74		EXTENSION, C Pillar [AZ], Right
	5GM58 RK5AF	1			74		[K5], Right
	5GM59 LAZAF	1			74		[AZ], Left
	5GM59 RK5AF	1			74		[K5], Left
5	5EW86 LAZAC	1			74		COVER, C Pillar [P.A.R.], Right
	5EW87 LAZAC	1			74		[P.A.R.], Left
6	5FX18 LAZAC	1			74		COVER, Liftgate [AZ], Up to 11/15/00, Right
	5FX18 RK5AC	1			74		[K5], Up to 11/15/00, Right
	5FX19 LAZAD	1			74		[AZ], Up to 11/15/00, Left
	5FX19 RK5AD	1			74		[K5], Up to 11/15/00, Left
	#5FX18 LAZAE	1			74		[AZ], After 11/15/00, Right
	#5FX18 RK5AE	1			74		[K5], After 11/15/00, Right
	#5FX19 LAZAE	1			74		[AZ], After 11/15/00, Left
	#5FX19 RK5AE	1			74		[K5], After 11/15/00, Left
7	6504 995AA	4			74		PIN, Push, M6.3x19.84
8	3420 1468	4					SCREW, Round Washer Head, M4.2x1.41x25.00
9	5500 4406	1			74		SCREEN, Louvre

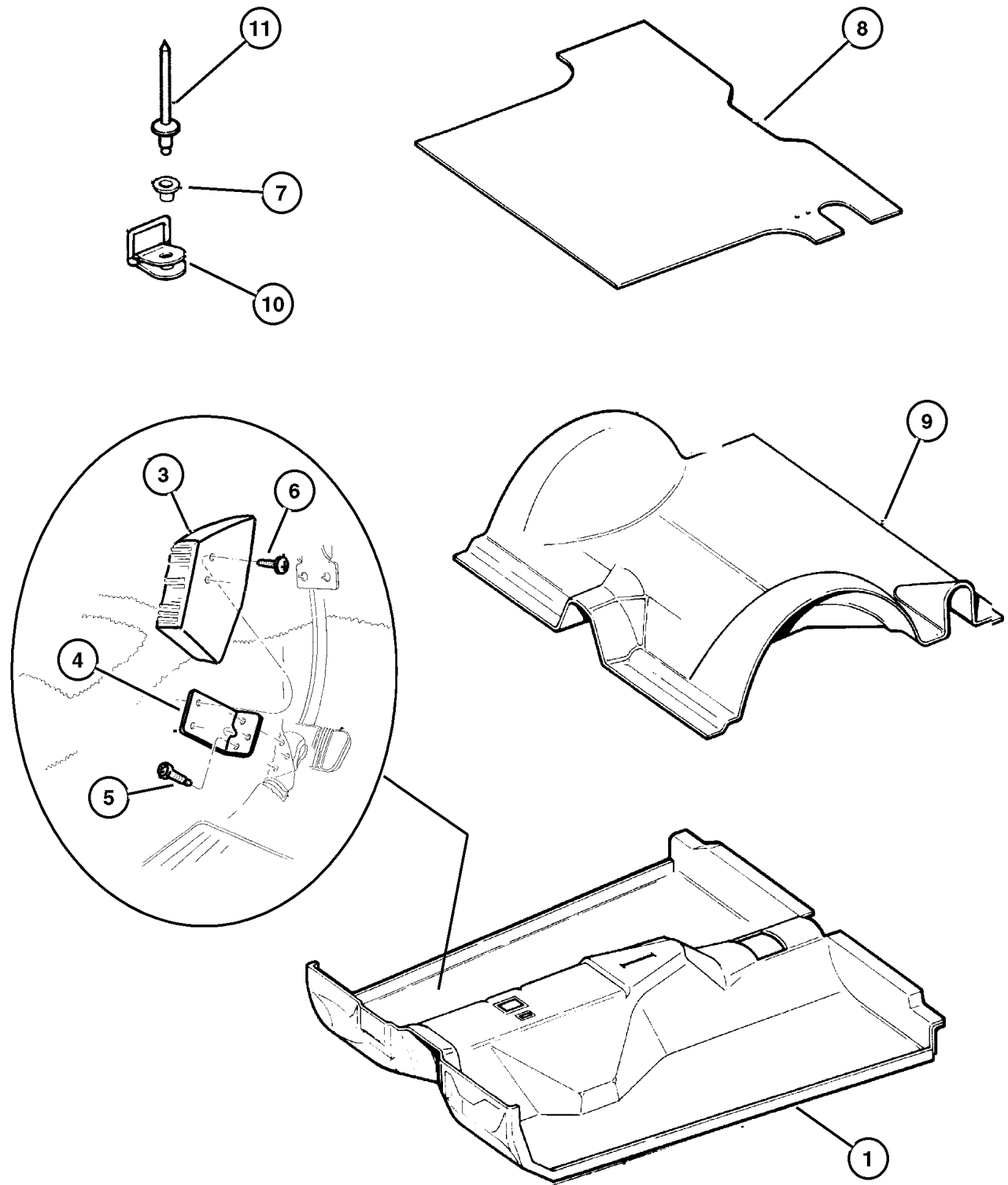
JEEP CHEROKEE (XJ)

SERIES	LINE	BODY	ENGINE	TRANSMISSION
P = Limited	J = LHD (4WD)	74=4 Dr. (101.4 WB)	ENC, EN0 = 2.5L 4 Cyl Turbo	DDD = 5 Speed Manual
S = Limited	U = RHD (4WD)	72=2 Dr. (101.4 WB)	ERH, ER0 = 4.0L Power Tech	DGS = 4 Speed Auto AISIN
H = Sport	T = LHD (2WD)			DG0 = All Automatic Trans
L = SE	B = RHD (2WD)			DBB = All Manual Trans

AR = Use as required - = Non illustrated part # = New this model year

May 2, 2002

Carpets and Mats Figure IXJ-310



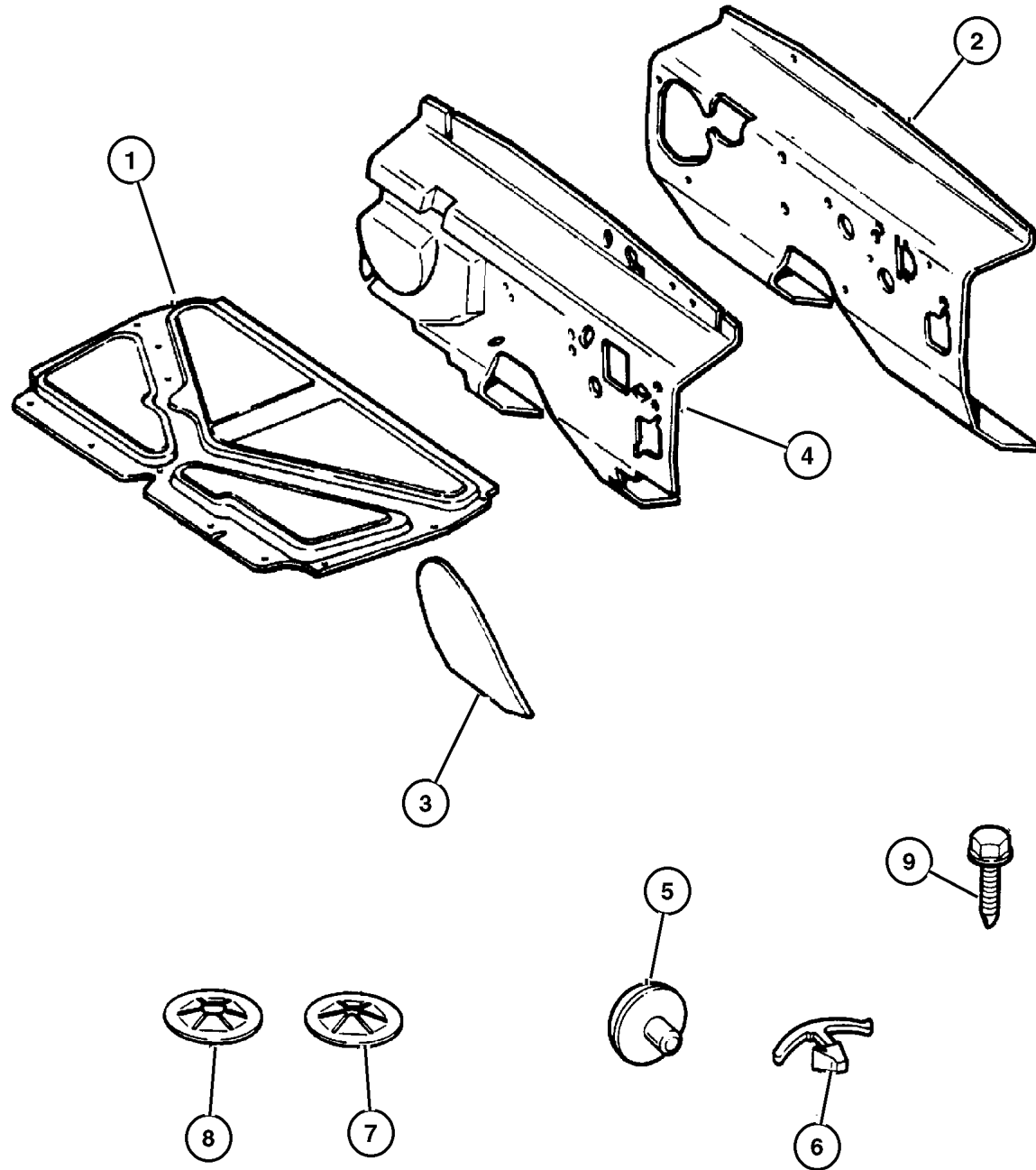
ITEM	PART NUMBER	QTY	LINE	SERIES	BODY	TRIM	DESCRIPTION
1							CARPET, Floor
	5EY16 LAZAX	1	J, T				[AZ], Gas Only
	5EY16 VK9AX	1	J, T				[K5], Gas Only
	5FM05 LAZAU	1	B, U				[AZ]
	5FM05 VK9AU	1	B, U				[K5]
	5FY03 LAZAW	1	J, T				[AZ], Diesel
	5FY03 VK9AW	1	J, T				[K5], Diesel
-2							MAT, Full Floor, Rubber
	5FM11 DX9AN	1	B, U				
	5FN10 DX9AQ	1	J, T				
3	5511 5066	1	B, U				PAD, Foot Rest
4	5511 5067	1	B, U				BRACKET, Foot Rest
5							SCREW, [.190-16x.625], (NOT SERVICED)
6							SCREW, [.190-16x1.00], (NOT SERVICED)
7	3420 2365	4					WASHER
8	5500 8727	1					MAT, Floor
9							CARPET, Cargo Floor
	5FX14 LAZAI	1					[AZ]
	5FX14 VK9AI	1					[K5]
10	#55196 901AB	4					LOOP, Cargo Tie Down
11	6035 122	4					RIVET, .187x.70 Black
-12	3420 2672	2					RIVET, .197 Grip-.187-.375, Carpet Attach
-13							MAT KIT, Floor, Anniversary Edition
	5FJ35 LAZAB	1	B, U				[AZ], Right Hand Drive
	5FJ35 VK9AB	1	B, U				[K5], Right Hand Drive
	#5JA71 1AZAA	1	J, T				

JEEP CHEROKEE (XJ)				
SERIES	LINE	BODY	ENGINE	TRANSMISSION
P = Limited	J = LHD (4WD)	74=4 Dr. (101.4 WB)	ENC, EN0 = 2.5L 4 Cyl Turbo	DDD = 5 Speed Manual
S = Limited	U = RHD (4WD)	72=2 Dr. (101.4 WB)	ERH, ER0 = 4.0L Power Tech	DGS = 4 Speed Auto AISIN
H = Sport	T = LHD (2WD)			DG0 = All Automatic Trans
L = SE	B = RHD (2WD)			DBB = All Manual Trans

AR = Use as required - = Non illustrated part # = New this model year

Insulation
Figure IXJ-320

ITEM	PART NUMBER	QTY	LINE	SERIES	BODY	TRIM	DESCRIPTION
1	55217 068AE	1					INSULATION, Hood
2	55217 409AM	1	J, T				INSULATION, Dash Panel, Inner
3	5500 4230	1					INSULATION, Toe Board
4							INSULATION, Dash Panel, Outer, (NOT SERVICED)
5							NUT, Push On
	6503 274	6	J, T				Insulation to Dash
		5	B, U				Insulation to Dash
6	6003 351	12					RETAINER, Hood Insulation, .415x.690
7	J400 5955	4	J, T				NUT, Hood Insulation , Diesel Engine
8	J400 0235	2					NUT, Push, .375, Insulation to Accelerator Stud
9	6035 156	2					SCREW, Flat Head, .312-18x1.00, Attach Insulation to Dash Panel



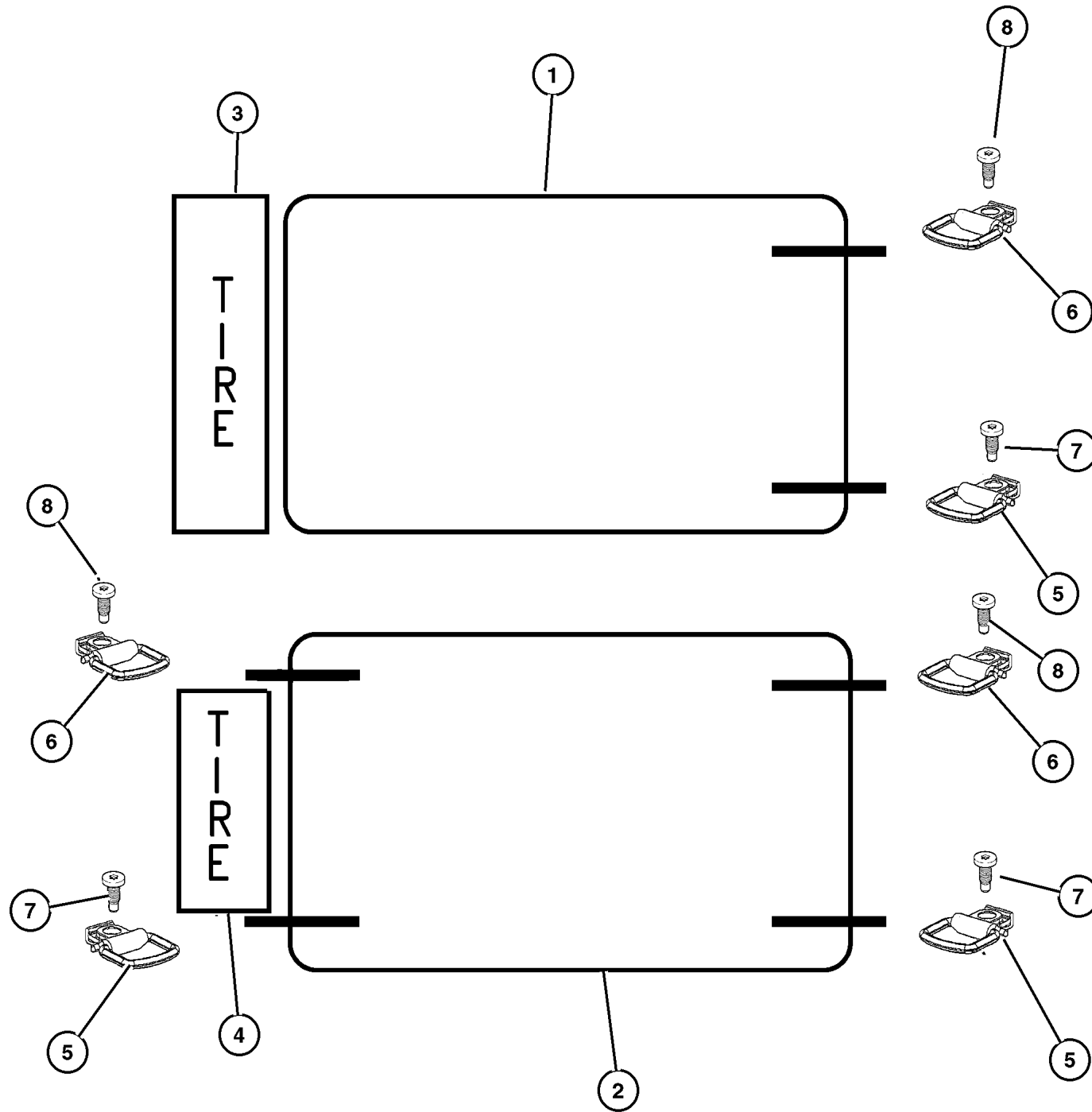
JEEP CHEROKEE (XJ)

SERIES	LINE	BODY	ENGINE	TRANSMISSION
P = Limited	J = LHD (4WD)	74=4 Dr. (101.4 WB)	ENC, EN0 = 2.5L 4 Cyl Turbo	DDD = 5 Speed Manual
S = Limited	U = RHD (4WD)	72=2 Dr. (101.4 WB)	ERH, ER0 = 4.0L Power Tech	DGS = 4 Speed Auto AISIN
H = Sport	T = LHD (2WD)			DG0 = All Automatic Trans
L = SE	B = RHD (2WD)			DBB = All Manual Trans

AR = Use as required - = Non illustrated part # = New this model year

May 2, 2002

**Cover, Cargo
Figure IXJ-330**



ITEM	PART NUMBER	QTY	LINE	SERIES	BODY	TRIM	DESCRIPTION
1							COVER, Cargo Compartment
	5FX86 LAZAB	1					[AZ], Full Spare
	5FX86 RK5AB	1					[K5], Full Spare
2							COVER, Cargo Compartment
	5FX84 LAZAA	1	J, T				[AZ], Compact Spare
	5FX84 RK5AA	1	J, T				[K5], Compact Spare
3							COVER, Spare Tire
	5FX79 1AZAF	1					[AZ], Full Spare, With Cargo Cover
	5FX79 1K9AF	1					[K5], Full Spare, With Cargo Cover
	5FM76 LAZAD	1					[AZ], Full Spare, Without Cargo Cover
	5FM76 VK9AD	1					[K5], Full Spare, Without Cargo Cover
4							COVER, Inside Spare Tire
	5FM74 LAZAC	1	J, T				[AZ], With Mini Spare
	5FM74 VK9AC	1	J, T				[K5], With Mini Spare
5	55352 692AA	2					LOOP, Cargo Tie Down
6	55352 697AA	2					LOOP, Cargo Tie Down
7	3420 1400	2					SCREW AND FINISH WASHER, Oval Head TR, 40mm Long
8							SCREW DRILL, Oval Truss Head, .164x18x1.378, (NOT SERVICED)

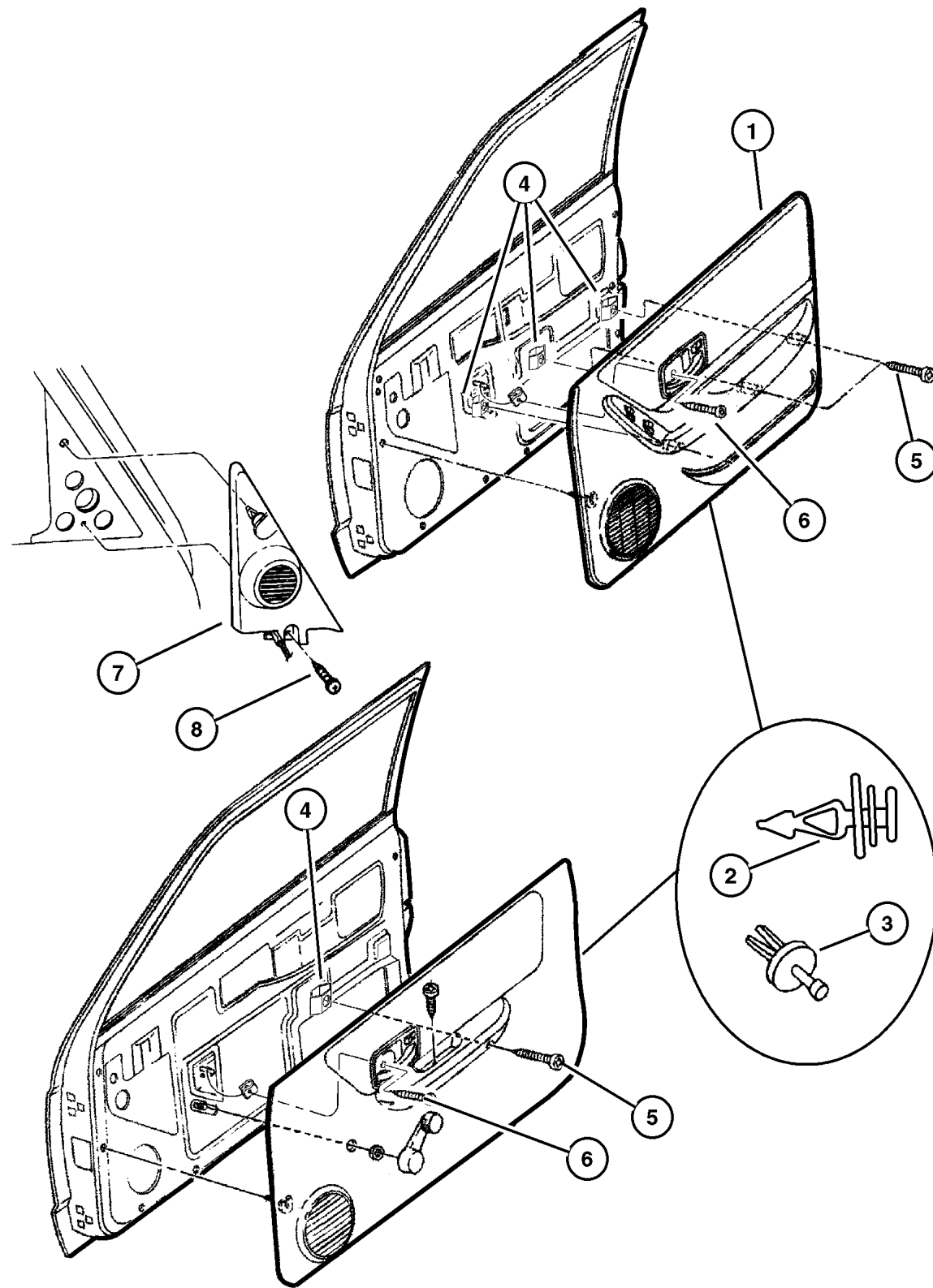
JEEP CHEROKEE (XJ)

SERIES	LINE	BODY	ENGINE	TRANSMISSION
P = Limited	J = LHD (4WD)	74=4 Dr. (101.4 WB)	ENC, EN0 = 2.5L 4 Cyl Turbo	DDD = 5 Speed Manual
S = Limited	U = RHD (4WD)	72=2 Dr. (101.4 WB)	ERH, ER0 = 4.0L Power Tech	DGS = 4 Speed Auto AISIN
H = Sport	T = LHD (2WD)			DG0 = All Automatic Trans
L = SE	B = RHD (2WD)			DBB = All Manual Trans

AR = Use as required - = Non illustrated part # = New this model year

May 2, 2002

**Interior Trim Parts, 2 Door
Figure IXJ-410**



ITEM	PART NUMBER	QTY	LINE	SERIES	BODY	TRIM	DESCRIPTION
1							PANEL, Front Door Trim
	SR12 1AZAA	1	J, T		72		[AZ], With Power Windows, Locks, Right
	SR12 1K5AA	1	J, T		72		[K5], With Power Windows, Locks, Right
	SR13 1AZAA	1	J, T		72		[AZ], With Power Windows, Locks, Left
	SR13 1K5AA	1	J, T		72		[K5], With Power Windows, Locks, Left
	5EH32 1AZAF	1	J, T		72		[AZ], Right
	5EH32 1K5AF	1	J, T		72		[K5], Right
	5EH33 1AZAF	1	J, T		72		[AZ], Left
	5EH33 1K5AF	1	J, T		72		[K5], Left
	5EH35 1AZAG	1	J, T		72		[AZ], With Power Mirrors, Left
	5EH35 1K5AG	1	J, T		72		[K5], With Power Mirrors, Left
2	6504 014	AR					FASTENER, Door Trim Panel, White
3	6505 009AC	AR					FASTENER, Door Trim Panel, Black
4	6029 509	2					U-NUT, .250-14
5							SCREW, Pan Head Tapping, .250x14x1.772, .250-14x1.772, (NOT SERVICED)
6							SCREW, M4x0.7-16, (NOT SERVICED)
7							COVER, Mirror Opening
	5FM02 LAZAB	1					Without Tweeter, Right
	5FM03 LAZAB	1					Without Tweeter, Left
	5FV14 LAZAB	1					With Tweeter, Right
	5FV15 LAZAB	1					With Tweeter, Left
8							SCREW, .164-18x.625, (NOT SERVICED)
-9	6032 723	2					SCREW, Self Tapping, M4.2x1.69x19.05, Used on Front Door Trim Panel Tab
-10	6505 387AA	6					U-NUT, M6.3X1.81~~

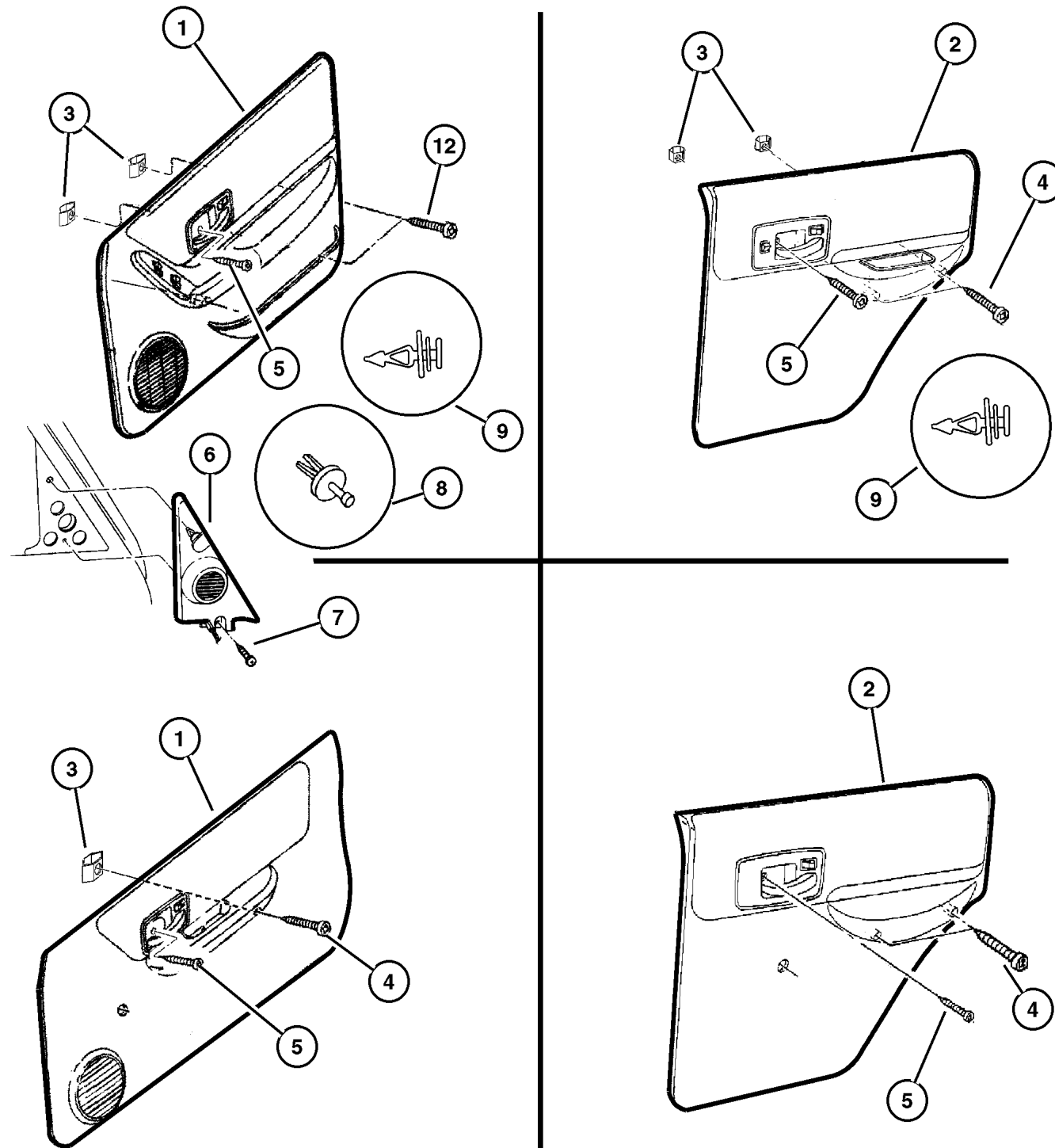
JEEP CHEROKEE (XJ)

SERIES	LINE	BODY	ENGINE	TRANSMISSION
P = Limited	J = LHD (4WD)	74=4 Dr. (101.4 WB)	ENC, EN0 = 2.5L 4 Cyl Turbo	DDD = 5 Speed Manual
S = Limited	U = RHD (4WD)	72=2 Dr. (101.4 WB)	ERH, ER0 = 4.0L Power Tech	DGS = 4 Speed Auto AISIN
H = Sport	T = LHD (2WD)			DG0 = All Automatic Trans
L = SE	B = RHD (2WD)			DBB = All Manual Trans

AR = Use as required - = Non illustrated part # = New this model year

May 2, 2002

**Interior Trim Parts, 4 Door
Figure IXJ-420**



ITEM	PART NUMBER	QTY	LINE	SERIES	BODY	TRIM	DESCRIPTION
------	-------------	-----	------	--------	------	------	-------------

Note: Shocks----Check VIN Number for The Type of 'Z' Code Springs are on The Truck
 [CBW]= Highland Vinyl Shocks----Check VIN Number for The Type of 'Z' Code Springs are on The Truck
 [CBV]= Cloth With Map Pocket Shocks----Check VIN Number for The Type of 'Z' Code Springs are on The Truck
 [CBZ]= Premium Vinyl With Map Pocket Shocks----Check VIN Number for The Type of 'Z' Code Springs are on The Truck
 [GVB]= Power Mirrors Shocks----Check VIN Number for The Type of 'Z' Code Springs are on The Truck
 [JPA]= Power Windows Shocks----Check VIN Number for The Type of 'Z' Code Springs are on The Truck
 [JPB]= Power Doors Shocks----Check VIN Number for The Type of 'Z' Code Springs are on The Truck

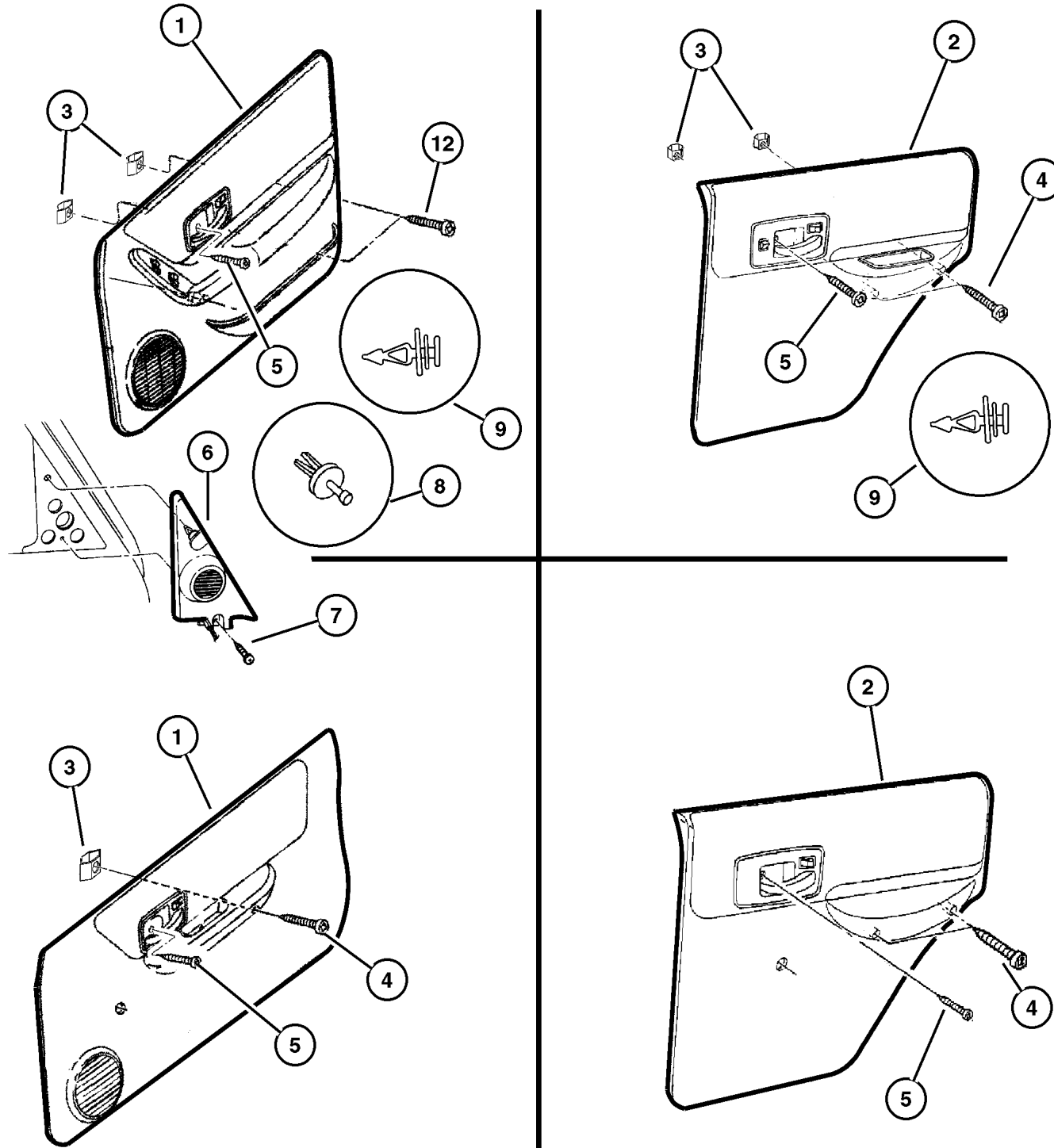
1							PANEL, Front Door Trim
	QL56 1AZ	1	J, T		74		[AZ],Highland Vinyl With Sales Codes, [CBW, JPA, JPB], Right
	QL56 1K5	1	J, T		74		[K5],Highland Vinyl With Sales Codes, [CBW, JPA, JPB], Right
	QL57 1AZ	1	J, T		74		[AZ],Highland Vinyl With Sales Codes, [CBW, JPA, JPB], Left
	QL57 1K5	1	J, T		74		[K5],Highland Vinyl With Sales Codes, [CBW, JPA, JPB], Left
	SR02 1AZAA	1	B, U		74		[AZ],Highland Vinyl With Sales Codes, [CBW, JPA, JPB], Right
	SR02 1K5AA	1	B, U		74		[K5],Highland Vinyl With Sales Codes, [CBW, JPA, JPB], Right
	SR03 1AZAA	1	B, U		74		[AZ],Highland Vinyl With Sales Codes, [CBW, JPA, JPB, GVB], Left
	SR03 1K5AA	1	B, U		74		[K5],Highland Vinyl With Sales Codes, [CBW, JPA, JPB, GVB], Left
	SR04 1AZAA	1	J, T		74		[AZ], Cloth With Map Pocket, Sales Code [CBV], Right
	SR04 1K5AA	1	J, T		74		[K5], Cloth With Map Pocket, Sales Code [CBV], Right
	SR05 1AZAA	1	J, T		74		[AZ], Cloth With Map Pocket, Sales Code [CBV], Left
	SR05 1K5AA	1	J, T		74		[K5], Cloth With Map Pocket, Sales Code [CBV], Left
	SR06 1AZAA	1	B, U		74		[AZ], Cloth With Map Pocket, Sales Code [CBV], Right
	SR06 1K5AA	1	B, U		74		[K5], Cloth With Map Pocket, Sales Code [CBV], Right
	SR07 1AZAA	1	B, U		74		[AZ], Cloth With Map Pocket, Sales Code [CBV], Left
	SR07 1K5AA	1	B, U		74		[K5], Cloth With Map Pocket, Sales Code [CBV], Left
	SR08 1AZAA	1	J, T		74		[AZ], Premium Vinyl With Map Pocket, Sales Code [CBZ], Right

JEEP CHEROKEE (XJ)
 SERIES LINE BODY ENGINE TRANSMISSION
 P = Limited J = LHD (4WD) 74=4 Dr. (101.4 WB) ENC, EN0 = 2.5L 4 Cyl Turbo DDD = 5 Speed Manual
 S = Limited U = RHD (4WD) 72=2 Dr. (101.4 WB) ERH, ER0 = 4.0L Power Tech DGS = 4 Speed Auto AISIN
 H = Sport T = LHD (2WD) DBB = All Automatic Trans
 L = SE B = RHD (2WD)

AR = Use as required - = Non illustrated part # = New this model year

May 2, 2002

**Interior Trim Parts, 4 Door
Figure IXJ-420**



ITEM	PART NUMBER	QTY	LINE	SERIES	BODY	TRIM	DESCRIPTION
	SR08 1K5AA	1	J, T		74		[K5], Premium Vinyl With Map Pocket, Sales Code [CBZ], Right
	SR09 1AZAA	1	J, T		74		[AZ], Premium Vinyl With Map Pocket, Sales Code [CBZ], Left
	SR09 1K5AA	1	J, T		74		[K5], Premium Vinyl With Map Pocket, Sales Code [CBZ], Left
	SR10 1AZAA	1	B, U		74		[AZ], Premium Vinyl With Map Pocket, Sales Code [CBZ], Right
	SR10 1K5AA	1	B, U		74		[K5], Premium Vinyl With Map Pocket, Sales Code [CBZ], Right
	SR11 1AZAA	1	B, U		74		[AZ], Premium Vinyl With Map Pocket, Sales Code [CBZ], Left
	SR11 1K5AA	1	B, U		74		[K5], Premium Vinyl With Map Pocket, Sales Code [CBZ], Left
	5EH24 1AZAF	1	B, U		74		[AZ], Highland Vinyl, Without Power, Sales Code [CBW], Right
		1	J, T		74		[AZ], Highland Vinyl, Without Power, Sales Code [CBW], Right
	5EH24 1K5AF	1	J, T		74		[K5], Highland Vinyl, Without Power, Sales Code [CBW], Right
		1	B, U		74		[K5], Highland Vinyl, Without Power, Sales Code [CBW], Right
	5EH25 1AZAF	1	B, U		74		[AZ], Highland Vinyl, Without Power, Sales Code [CBW], Left
		1	J, T		74		[AZ], Highland Vinyl, Without Power, Sales Code [CBW], Left
	5EH25 1K5AF	1	J, T		74		[K5], Highland Vinyl, Without Power, Sales Code [CBW], Left
		1	B, U		74		[K5], Highland Vinyl, Without Power, Sales Code [CBW], Left
	5EH26 1AZAG	1	B, U		74		[AZ], Highland Vinyl, With Power Mirrors Only, Sales Codes [CBW, GVB], Right
	5EH26 1K5AG	1	B, U		74		[K5], Highland Vinyl, With Power Mirrors Only, Sales Codes [CBW, GVB], Right
	5EH27 1AZAG	1	J, T		74		[AZ], Highland Vinyl, With Power Mirrors Only, Sales Codes [CBW, GVB], Left
	5EH27 1K5AG	1	J, T		74		[K5], Highland Vinyl, With Power Mirrors Only, Sales Codes [CBW, GVB], Left
2	QL78 1AZ	1			74		PANEL, Rear Door Trim [AZ], Highland Vinyl With Sales Codes, [CBW, JPA, JPB], Right
	QL78 1K5	1			74		[K5], Highland Vinyl With Sales Codes, [CBW, JPA, JPB], Right

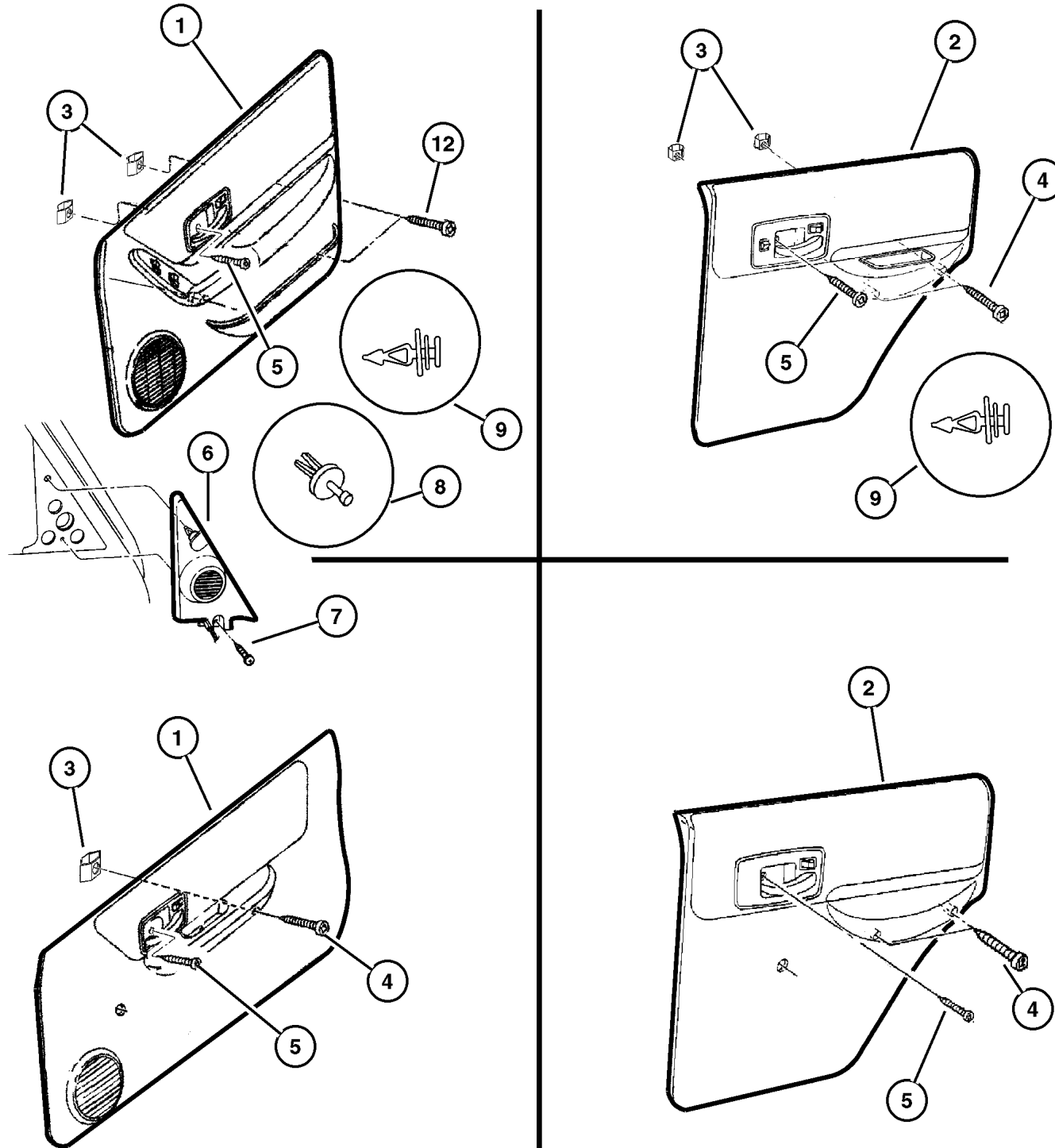
JEEP CHEROKEE (XJ)

SERIES	LINE	BODY	ENGINE	TRANSMISSION
P = Limited	J = LHD (4WD)	74=4 Dr. (101.4 WB)	ENC, EN0 = 2.5L 4 Cyl Turbo	DDD = 5 Speed Manual
S = Limited	U = RHD (4WD)	72=2 Dr. (101.4 WB)	ERH, ER0 = 4.0L Power Tech	DGS = 4 Speed Auto AISIN
H = Sport	T = LHD (2WD)			DG0 = All Automatic Trans
L = SE	B = RHD (2WD)			DBB = All Manual Trans

AR = Use as required - = Non illustrated part # = New this model year

May 2, 2002

**Interior Trim Parts, 4 Door
Figure IXJ-420**



ITEM	PART NUMBER	QTY	LINE	SERIES	BODY	TRIM	DESCRIPTION
	QL79 1AZ	1			74		[AZ],Highland Vinyl With Sales Codes, [CBW, JPA, JPB], Left
	QL79 1K5	1			74		[K5],Highland Vinyl With Sales Codes, [CBW, JPA, JPB], Left
	QL80 1AZ	1			74		[AZ], Cloth With Map Pocket, Sales Code [CBV], Right
	QL80 1K5	1			74		[K5], Cloth With Map Pocket, Sales Code [CBV], Right
	QL81 1AZ	1			74		[AZ], Cloth With Map Pocket, Sales Code [CBV], Left
	QL81 1K5	1			74		[K5], Cloth With Map Pocket, Sales Code [CBV], Left
	QL82 1AZ	1			74		[AZ], Premium Vinyl With Map Pocket, Sales Code [CBZ], Right
	QL82 1K5	1			74		[K5], Premium Vinyl With Map Pocket, Sales Code [CBZ], Right
	QL83 1AZ	1			74		[AZ], Premium Vinyl With Map Pocket, Sales Code [CBZ], Left
	QL83 1K5	1			74		[K5], Premium Vinyl With Map Pocket, Sales Code [CBZ], Left
	5EG82 1AZAD	1			74		[AZ], Highland Vinyl, Without Power, Sales Code [CBW], Right
	5EG82 1K5AD	1			74		[K5], Highland Vinyl, Without Power, Sales Code [CBW], Right
	5EG83 1AZAD	1			74		[AZ], Highland Vinyl, Without Power, Sales Code [CBW], Left
	5EG83 1K5AD	1			74		[K5], Highland Vinyl, Without Power, Sales Code [CBW], Left
3	6029 509	2					U-NUT, .250-14
4							SCREW, Pan Head Tapping, .250x14x1.772, (NOT SERVICED)
5							SCREW, Remote Control Handle, M4x.7x16, (NOT SERVICED)
6							COVER, Mirror Opening
	5FM02 LAZAB	1					[AZ], Without Tweeter, Right
	5FM03 LAZAB	1					[AZ], Without Tweeter, Left
	5FV14 LAZAB	1					[AZ], With Tweeter, Right
	5FV15 LAZAB	1					[AZ], With Tweeter, Left
7							SCREW, .164-18x.625, (NOT SERVICED)
8	6505 009AC	AR					FASTENER, Door Trim Panel, Black
9	6504 014	5					FASTENER, Door Trim Panel, White
-10	6032 723	2					SCREW, Self Tapping, M4.2x1.69x19.05, Used on Front Door Trim Panel Tab

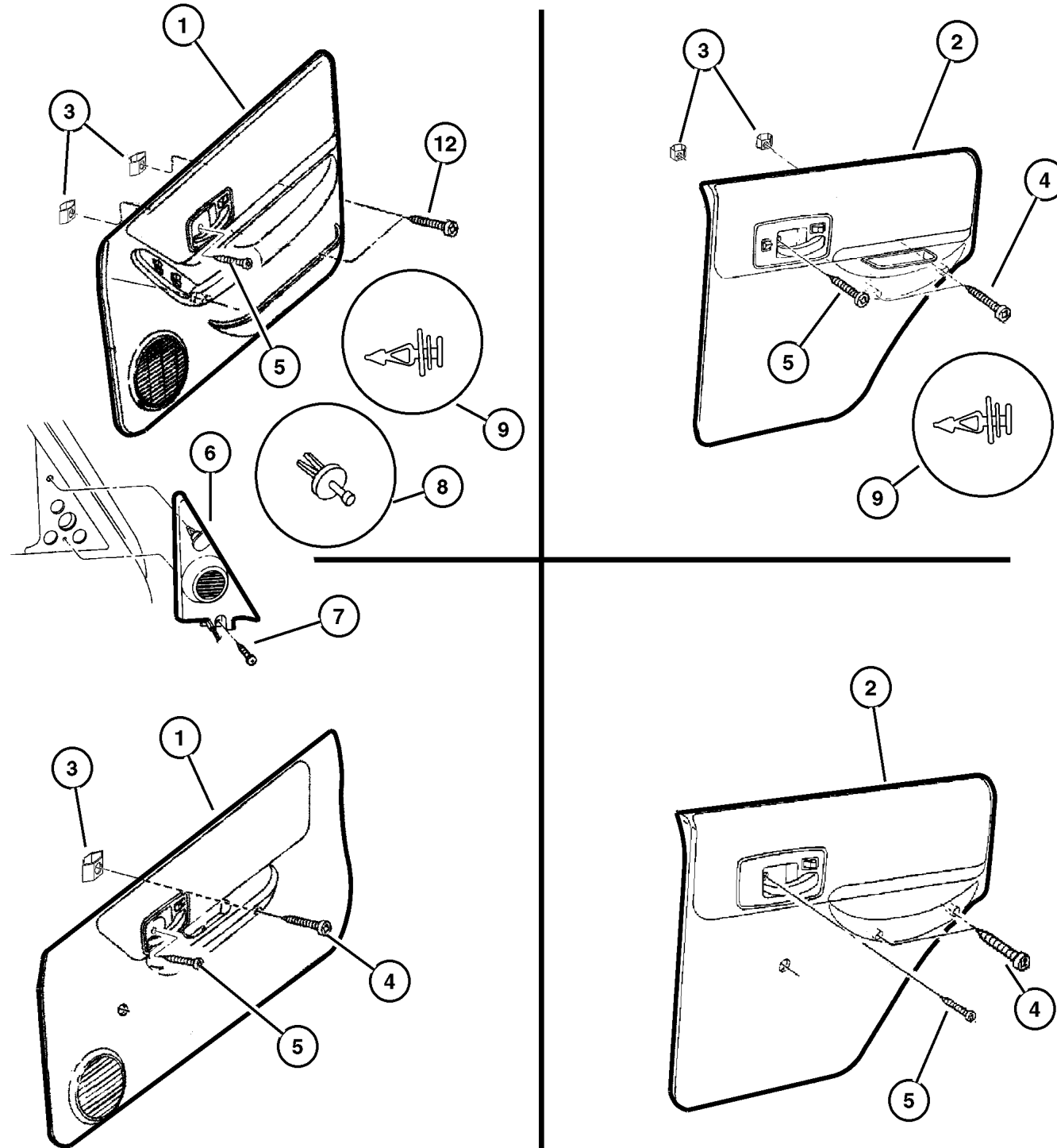
JEEP CHEROKEE (XJ)

SERIES	LINE	BODY	ENGINE	TRANSMISSION
P = Limited	J = LHD (4WD)	74=4 Dr. (101.4 WB)	ENC, EN0 = 2.5L 4 Cyl Turbo	DDD = 5 Speed Manual
S = Limited	U = RHD (4WD)	72=2 Dr. (101.4 WB)	ERH, ER0 = 4.0L Power Tech	DGS = 4 Speed Auto AISIN
H = Sport	T = LHD (2WD)			DG0 = All Automatic Trans
L = SE	B = RHD (2WD)			DBB = All Manual Trans

AR = Use as required - = Non illustrated part # = New this model year

May 2, 2002

**Interior Trim Parts, 4 Door
Figure IXJ-420**



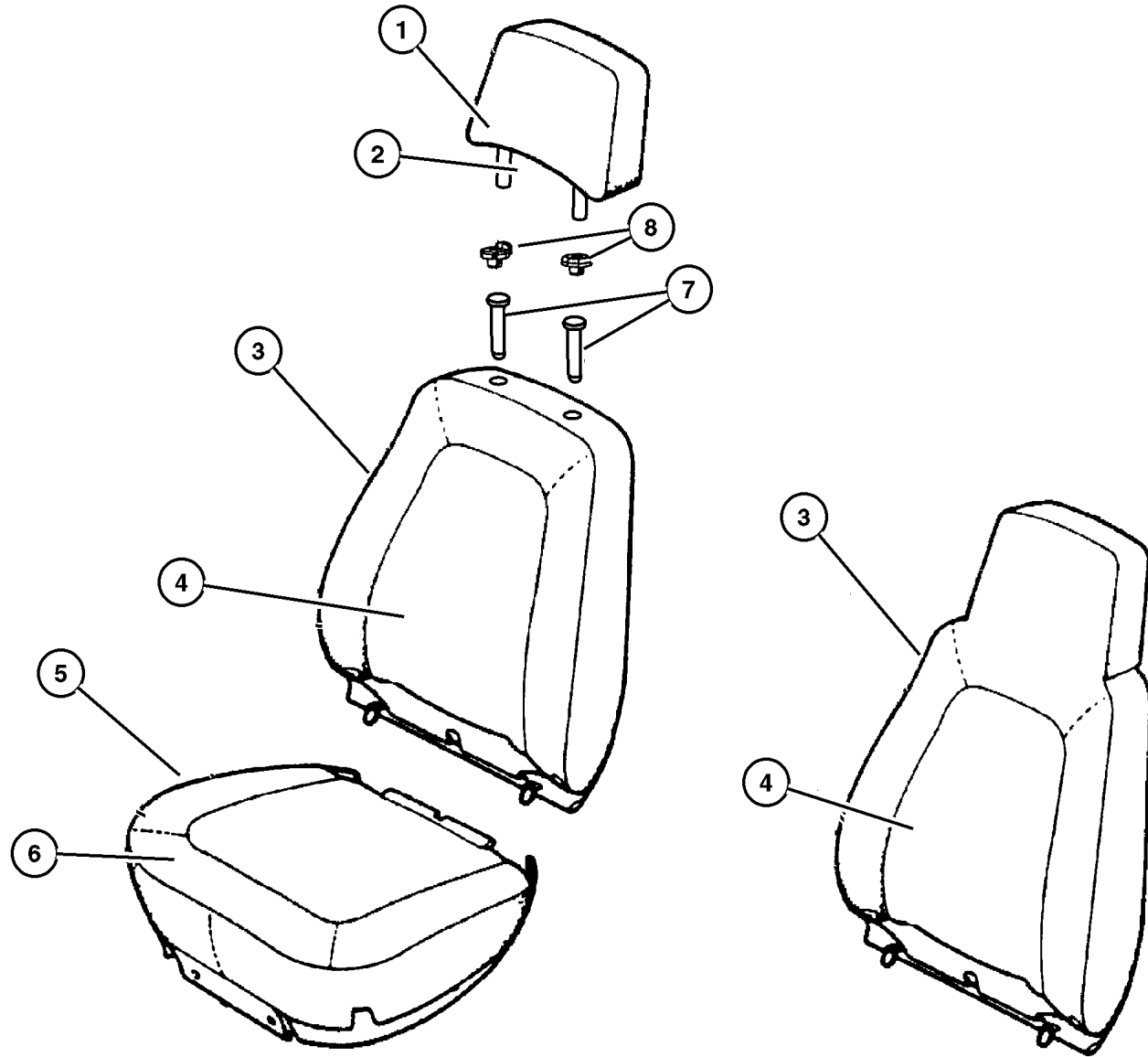
ITEM	PART NUMBER	QTY	LINE	SERIES	BODY	TRIM	DESCRIPTION
-11	6505 387AA	6					U-NUT, M6.3X1.81~~
12							SCREW, Pan Head Tapping, .250x14x1.772, (NOT SERVICED)

JEEP CHEROKEE (XJ)				
SERIES	LINE	BODY	ENGINE	TRANSMISSION
P = Limited	J = LHD (4WD)	74=4 Dr. (101.4 WB)	ENC, EN0 = 2.5L 4 Cyl Turbo	DDD = 5 Speed Manual
S = Limited	U = RHD (4WD)	72=2 Dr. (101.4 WB)	ERH, ER0 = 4.0L Power Tech	DGS = 4 Speed Auto AISIN
H = Sport	T = LHD (2WD)			DG0 = All Automatic Trans
L = SE	B = RHD (2WD)			DBB = All Manual Trans

AR = Use as required - = Non illustrated part # = New this model year

May 2, 2002

Seat Covers and Seat Assemblies
Figure IXJ-510



ITEM	PART NUMBER	QTY	LINE	SERIES	BODY	TRIM	DESCRIPTION
1							HEADREST, Front
	TH67 1K5AA	2	U		74	DL	[K5]
		2	J, T		74	DL	[K5]
	TH67 1AZAA	2	U		74	DL	[AZ]
		2	J, T		74	DL	[AZ]
	TH65 1K5AA	2	J		72	XJ	[K5]
		2	U		74	XJ	[K5]
		2	J, T		74	XJ	[K5]
	TH65 1AZAA	2	J		72	XJ	[AZ]
		2	U		74	XJ	[AZ]
		2	J, T		74	XJ	[AZ]
2							COVER, Seat Headrest
	QW20 1AZAA	1	J, T		74	DL	[AZ]
		1	U		74	DL	[AZ]
	QW20 1K5AA	1	J, T		74	DL	[K5]
		1	U		74	DL	[K5]
	QW65 1AZAA	1	J, T		74	XJ	[AZ]
		1	J		72	XJ	[AZ]
		1	U		74	XJ	[AZ]
	QW65 1K5AA	1	U		74	XJ	[K5]
		1	J		72	XJ	[K5]
		1	J, T		74	XJ	[K5]
3							BACK, Front Seat
	QV90 1AZAA	1	J, T, U		72	B6	[AZ], Right
		1	J, T		74	B6	[AZ], Right
	QV90 1K5AA	1	J, T, U		72	B6	[K5], Right
		1	J, T		74	B6	[K5], Right
	QV91 1AZAA	1	J, T, U		72	B6	[AZ], Left
		1	J, T		74	B6	[AZ], Left
	QV91 1K5AA	1	J, T, U		72	B6	[K5], Left
		1	J, T		74	B6	[K5], Left
	QW06 1AZAA	1	J, T		74	DL	[AZ], Right
		1	U		74	DL	[AZ], Right
	QW06 1K5AA	1	U		74	DL	[K5], Right
		1	J, T		74	DL	[K5], Right
	QW07 1AZAA	1	J, T		74	DL	[AZ], Left
		1	U		74	DL	[AZ], Left
	QW07 1K5AA	1	J, T		74	DL	[K5], Left
		1	U		74	DL	[K5], Left
	SN49 1K5AA	1	U		74	DL	[K5], Heated, Left
		1	J, T		74	DL	[K5], Heated, Left
	SN49 1AZAA	1	J, T		74	DL	[AZ], Heated, Left

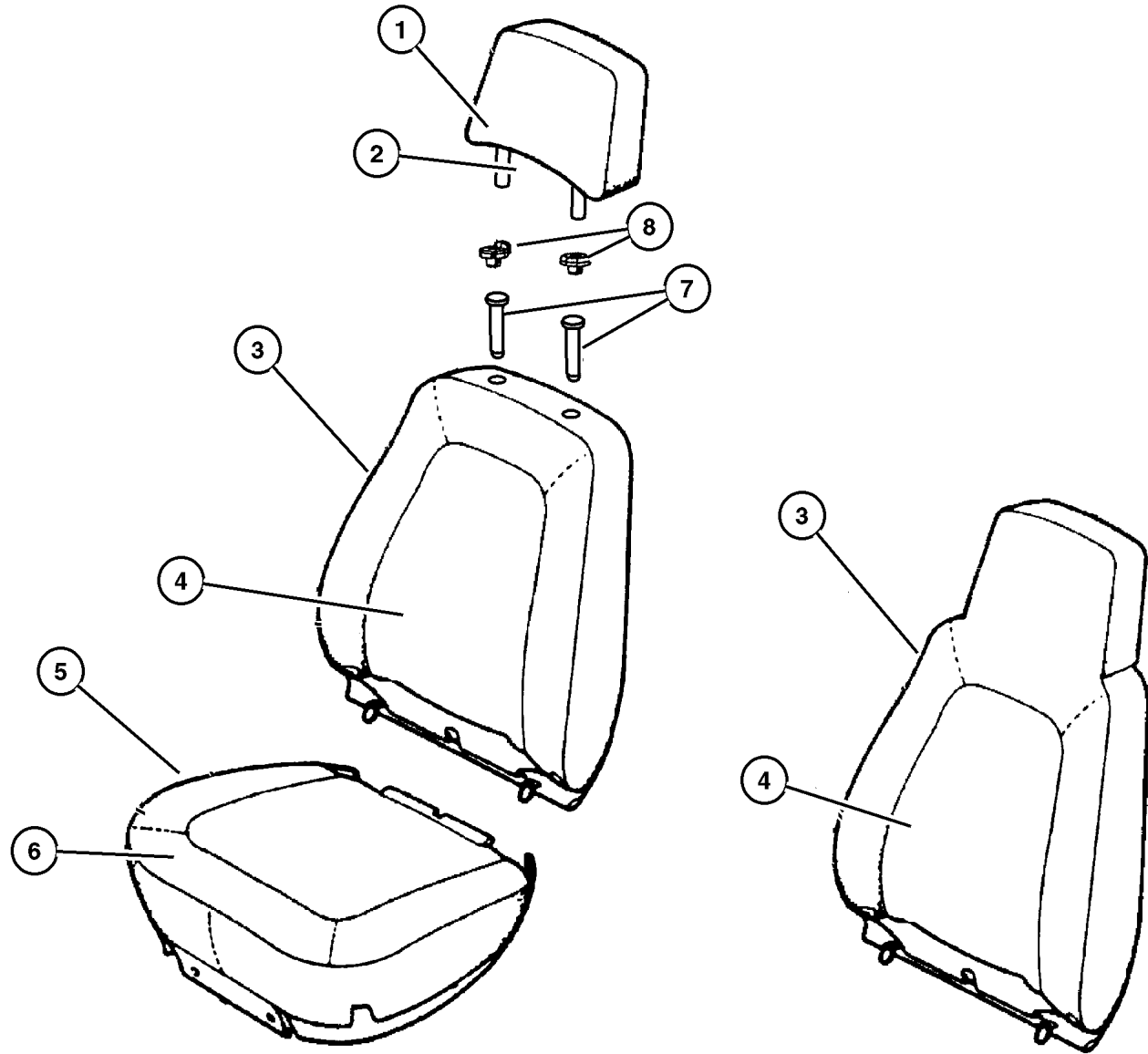
JEEP CHEROKEE (XJ)

SERIES	LINE	BODY	ENGINE	TRANSMISSION
P = Limited	J = LHD (4WD)	74=4 Dr. (101.4 WB)	ENC, EN0 = 2.5L 4 Cyl Turbo	DDD = 5 Speed Manual
S = Limited	U = RHD (4WD)	72=2 Dr. (101.4 WB)	ERH, ER0 = 4.0L Power Tech	DGS = 4 Speed Auto AISIN
H = Sport	T = LHD (2WD)			DG0 = All Automatic Trans
L = SE	B = RHD (2WD)			DBB = All Manual Trans

AR = Use as required - = Non illustrated part # = New this model year

May 2, 2002

Seat Covers and Seat Assemblies
Figure IXJ-510



ITEM	PART NUMBER	QTY	LINE	SERIES	BODY	TRIM	DESCRIPTION
		1	U		74	DL	[AZ], Heated, Left
	SN48 1K5AA	1	J, T		74	DL	[K5], Heated, Right
		1	U		74	DL	[K5], Heated, Right
	SN48 1AZAA	1	J, T		74	DL	[AZ], Heated, Right
		1	U		74	DL	[AZ], Heated, Right
	QW23 1AZAA	1	J, T		72	M5	[AZ], Left
		1	J, T		74	M5	[AZ], Left
	QW22 1AZAA	1	J, T		72	M5	[AZ], Right
		1	J, T		74	M5	[AZ], Right
	QW23 1K5AA	1	J, T		72	M5	[K5], Left
		1	J, T		74	M5	[K5], Left
	QW22 1K5AA	1	J, T		74	M5	[K5], Right
		1	J, T		72	M5	[K5], Right
	QW23 1AZAA	1	J, T		74	X5	[AZ], Left
	QW23 1K5AA	1	J, T		74	X5	[K5], Left
	QW22 1K5AA	1	J, T		74	X5	[K5], Right
	QW22 1AZAA	1	J, T		74	X5	[AZ], Right
	QW44 1AZAA	1	J		72	XJ	[AZ], Right
		1	U		74	XJ	[AZ], Right
		1	J, T		74	XJ	[AZ], Right
	QW45 1AZAA	1	J		72	XJ	[AZ], Left
		1	U		74	XJ	[AZ], Left
		1	J, T		74	XJ	[AZ], Left
	QW44 1K5AA	1	J		72	XJ	[K5], Right
		1	J, T		74	XJ	[K5], Right
		1	U		74	XJ	[K5], Right
	QW45 1K5AA	1	U		74	XJ	[K5], Left
		1	J, T		74	XJ	[K5], Left
		1	J		72	XJ	[K5], Left
4							COVER, Seat Back
	QV95 1K5AA	2	J, T		74	B6	[K5]
		2	J, T, U		72	B6	[K5]
	QV95 1AZAA	2	J, T		74	B6	[AZ]
		2	J, T, U		72	B6	[AZ]
	SN55 1K5AA	2	J, T		74	DL	[K5], Heated
		2	U		74	DL	[K5], Heated
	SN55 1AZAA	2	J, T		74	DL	[AZ], Heated
		2	U		74	DL	[AZ], Heated
	QW04 1K5AA	2	J, T		74	DL	[K5]
		2	U		74	DL	[K5]
	QW04 1AZAA	2	U		74	DL	[AZ]
		2	J, T		74	DL	[AZ]

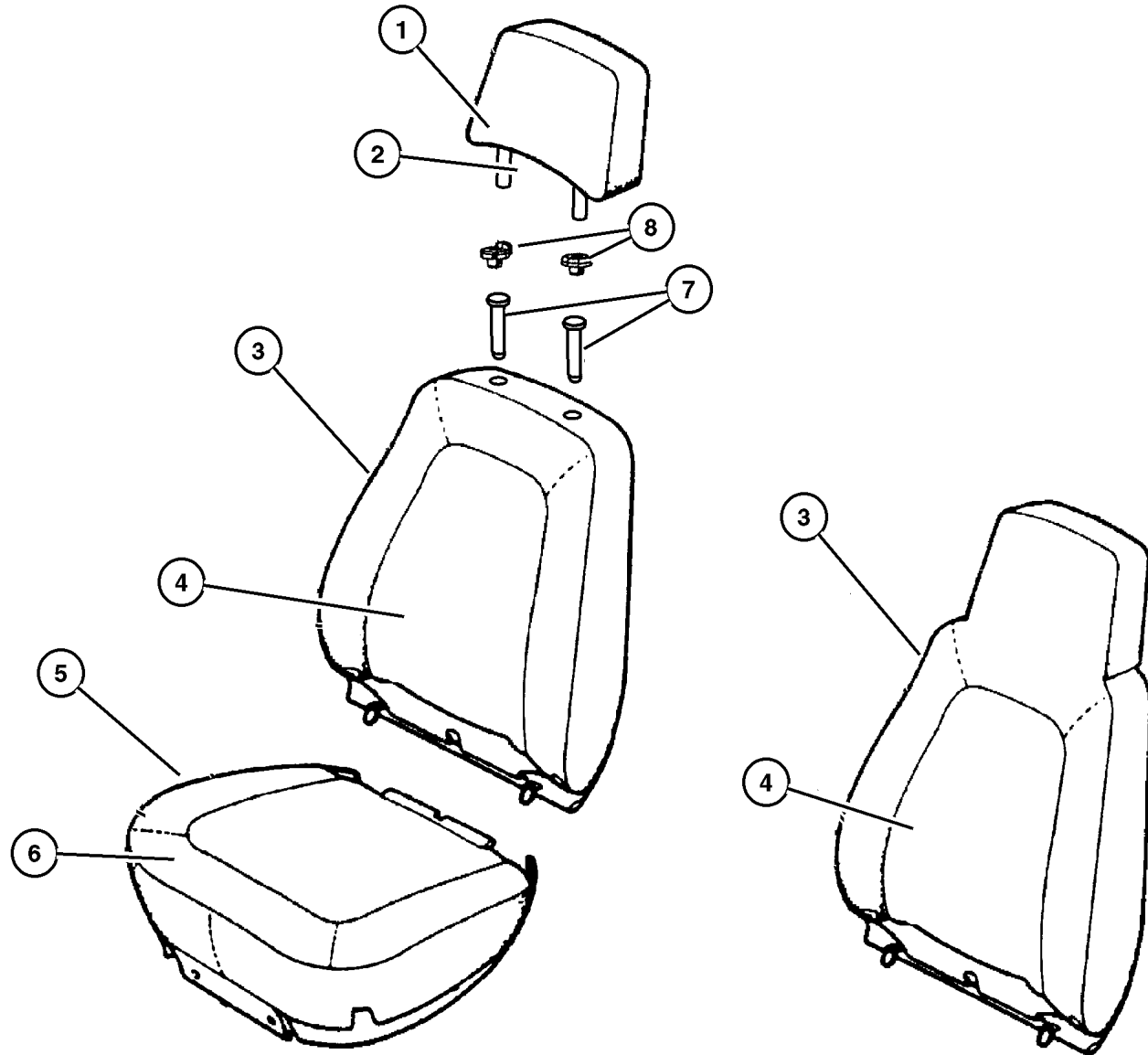
JEEP CHEROKEE (XJ)

SERIES	LINE	BODY	ENGINE	TRANSMISSION
P = Limited	J = LHD (4WD)	74=4 Dr. (101.4 WB)	ENC, EN0 = 2.5L 4 Cyl Turbo	DDD = 5 Speed Manual
S = Limited	U = RHD (4WD)	72=2 Dr. (101.4 WB)	ERH, ER0 = 4.0L Power Tech	DGS = 4 Speed Auto AISIN
H = Sport	T = LHD (2WD)			DG0 = All Automatic Trans
L = SE	B = RHD (2WD)			DBB = All Manual Trans

AR = Use as required - = Non illustrated part # = New this model year

May 2, 2002

Seat Covers and Seat Assemblies Figure IXJ-510



ITEM	PART NUMBER	QTY	LINE	SERIES	BODY	TRIM	DESCRIPTION
	QW24 1AZAA	2	J, T		72	M5	[AZ]
		2	J, T		74	M5	[AZ]
	QW24 1K5AA	2	J, T		72	M5	[K5]
		1	J, T		74	M5	[K5]
		2	J, T		74	X5	[K5]
	QW24 1AZAA	2	J, T		74	X5	[AZ]
	QW46 1AZAA	2	J, T		74	XJ	[AZ]
		2	U		74	XJ	[AZ]
		2	J		72	XJ	[AZ]
	QW46 1K5AA	2	J		72	XJ	[K5]
		2	J, T		74	XJ	[K5]
		2	U		74	XJ	[K5]
5							FRAME, Front Seat
	4856 470	1	J, T, U		72	B6	Right
		1	J, T		74	B6	Right
	4856 471	1	J, T, U		72	B6	Left
		1	J, T		74	B6	Left
	4856 470	1	U		74	DL	Right
		1	J, T		74	DL	Right
	4856 471	1	J, T		74	DL	Left
		1	U		74	DL	Left
	4856 470	1	J, T		72	M5	Right
		1	J, T		74	M5	Right
	4856 471	1	J, T		72	M5	Left
		1	J, T		74	M5	Left
	4856 470	1	J, T		74	X5	Right
	4856 471	1	J, T		74	X5	Left
	4856 470	1	J, T		74	XJ	Right
		1	J		72	XJ	Right
		1	U		74	XJ	Right
	4856 471	1	J		72	XJ	Left
		1	J, T		74	XJ	Left
		1	U		74	XJ	Left
6							COVER AND PAD, Cushion
	RG62 1K5AA	1	J, T, U		72	B6	[K5], Right
		1	J, T		74	B6	[K5], Right
	RG63 1K5AA	1	J, T, U		72	B6	[K5], Left
		1	J, T		74	B6	[K5], Left
	RG63 1AZAA	1	J, T		74	B6	[AZ], Left
		1	J, T, U		72	B6	[AZ], Left
	RG62 1AZAA	1	J, T		74	B6	[AZ], Right
		1	J, T, U		72	B6	[AZ], Right

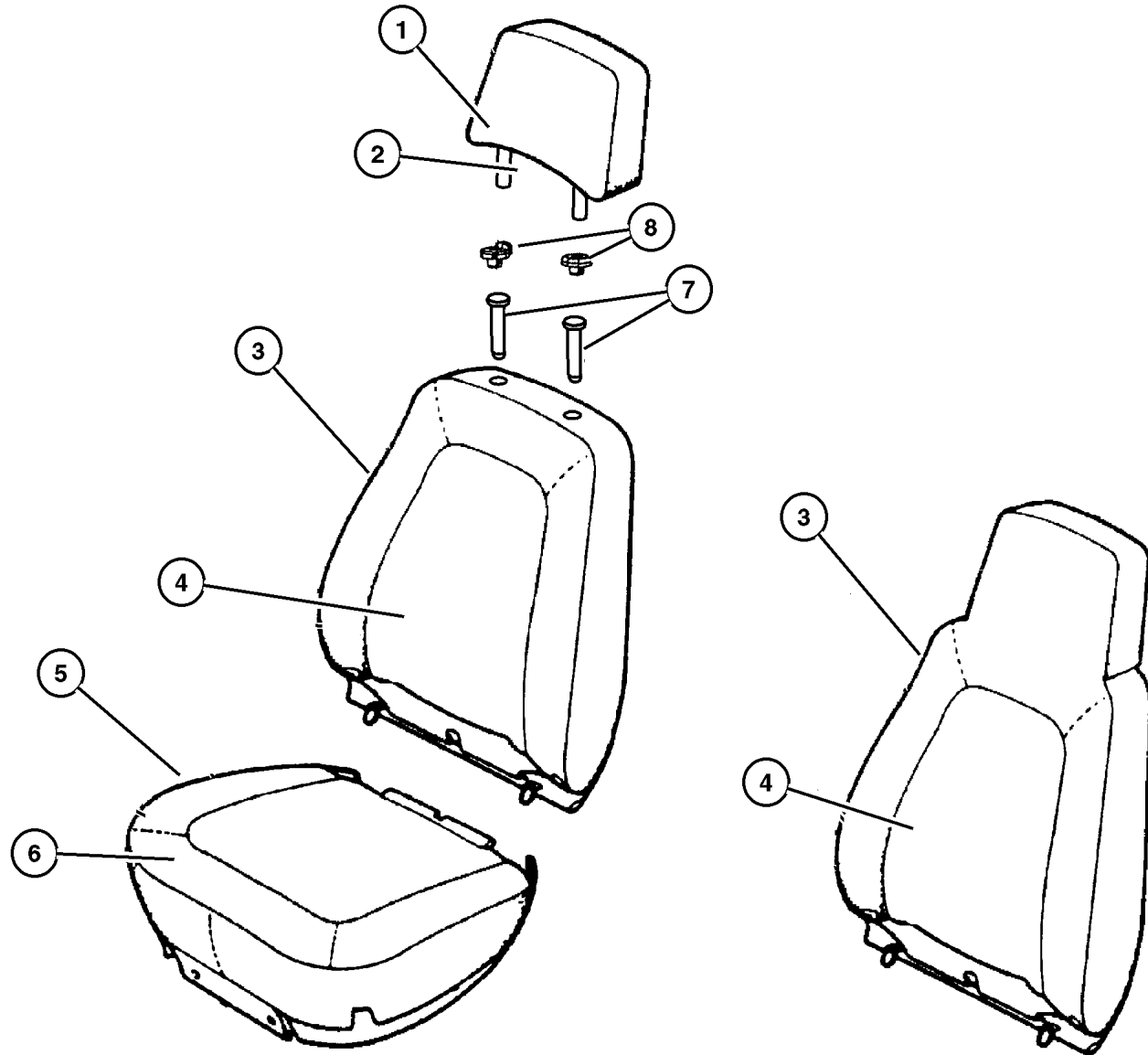
JEEP CHEROKEE (XJ)

SERIES	LINE	BODY	ENGINE	TRANSMISSION
P = Limited	J = LHD (4WD)	74=4 Dr. (101.4 WB)	ENC, EN0 = 2.5L 4 Cyl Turbo	DDD = 5 Speed Manual
S = Limited	U = RHD (4WD)	72=2 Dr. (101.4 WB)	ERH, ER0 = 4.0L Power Tech	DGS = 4 Speed Auto AISIN
H = Sport	T = LHD (2WD)			DG0 = All Automatic Trans
L = SE	B = RHD (2WD)			DBB = All Manual Trans

AR = Use as required - = Non illustrated part # = New this model year

May 2, 2002

Seat Covers and Seat Assemblies
Figure IXJ-510



ITEM	PART NUMBER	QTY	LINE	SERIES	BODY	TRIM	DESCRIPTION
	RG69 1K5AA	1	U		74	DL	[K5], Left
		1	J, T		74	DL	[K5], Left
	RG68 1K5AA	1	U		74	DL	[K5], Right
		1	J, T		74	DL	[K5], Right
	RG68 1AZAA	1	U		74	DL	[AZ], Right
	RG69 1AZAA	1	J, T		74	DL	[AZ], Left
		1	U		74	DL	[AZ], Left
	RG68 1AZAA	1	J, T		74	DL	[AZ], Right
	TN06 1AZAA	1	J, T		74	DL	[AZ], Heated, Right
		1	U		74	DL	[AZ], Heated, Right
	TN06 1K5AA	1	J, T		74	DL	[K5], Heated, Right
		1	U		74	DL	[K5], Heated, Right
	TN07 1AZAA	1	J, T		74	DL	[AZ], Heated, Left
		1	U		74	DL	[AZ], Heated, Left
	TN07 1K5AA	1	J, T		74	DL	[K5], Heated, Left
		1	U		74	DL	[K5], Heated, Left
	RG70 1K5AA	1	J, T		74	M5	[K5], Right
		1	J, T		72	M5	[K5], Right
	RG71 1K5AA	1	J, T		74	M5	[K5], Left
		1	J, T		72	M5	[K5], Left
	RG70 1AZAA	1	J, T		74	M5	[AZ], Right
		1	J, T		72	M5	[AZ], Right
	RG71 1AZAA	1	J, T		74	M5	[AZ], Left
		1	J, T		72	M5	[AZ], Left
	RG70 1AZAA	1	J, T		74	X5	[AZ], Right
	RG70 1K5AA	1	J, T		74	X5	[K5], Right
	RG71 1AZAA	1	J, T		74	X5	[AZ], Left
	RG71 1K5AA	1	J, T		74	X5	[K5], Left
	RG72 1K5AA	1	J, T		74	XJ	[K5], Right
		1	J		72	XJ	[K5], Right
		1	U		74	XJ	[K5], Right
	RG72 1AZAA	1	J		72	XJ	[AZ], Right
		1	J, T		74	XJ	[AZ], Right
		1	U		74	XJ	[AZ], Right
	RG73 1AZAA	1	J, T		74	XJ	[AZ], Left
		1	J		72	XJ	[AZ], Left
		1	U		74	XJ	[AZ], Left
	RG73 1K5AA	1	J, T		74	XJ	[K5], Left
		1	J		72	XJ	[K5], Left
		1	U		74	XJ	[K5], Left
7							CYLINDER, Headrest
	5013 152AA	4	J, T		74	DL	

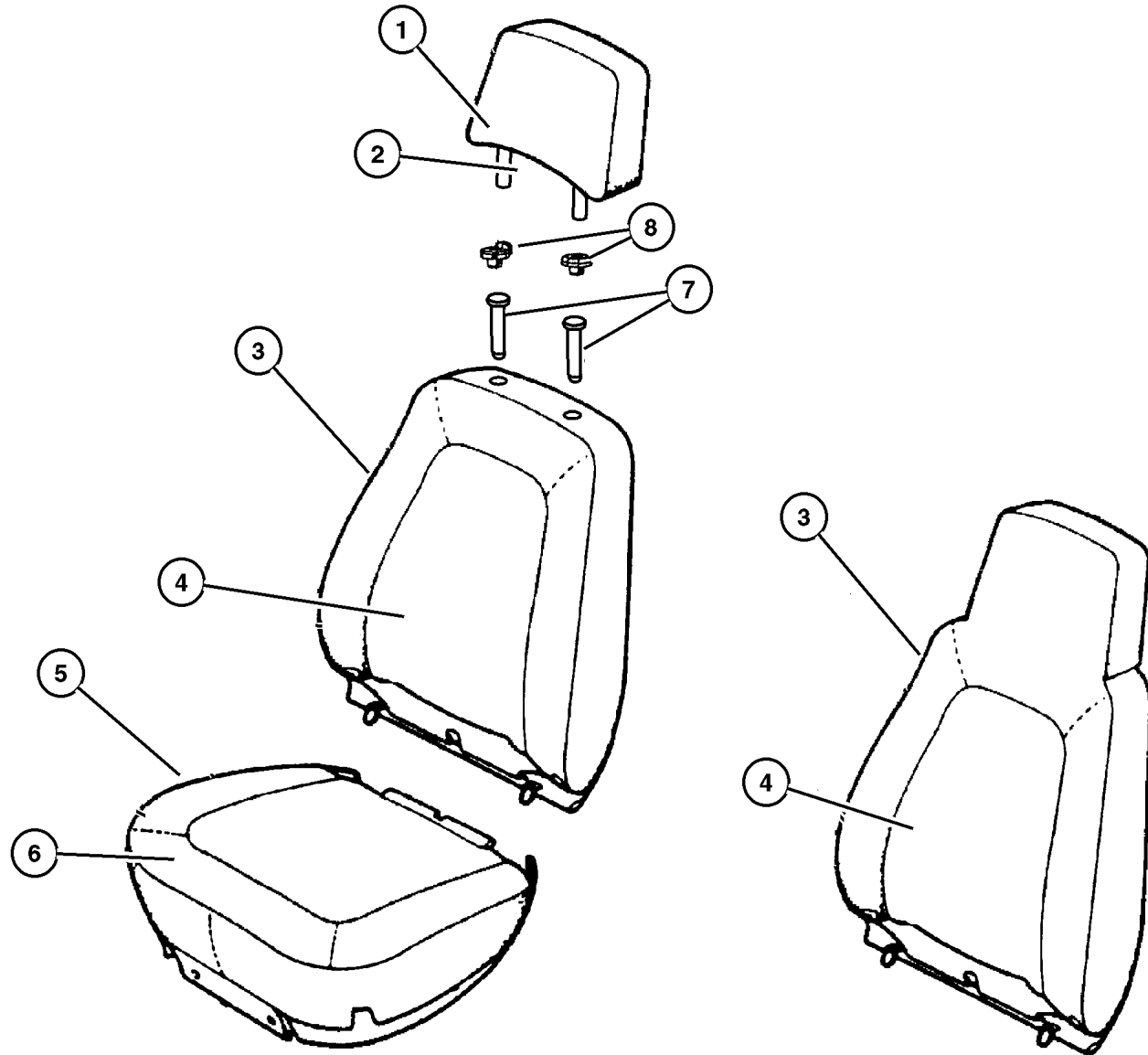
JEEP CHEROKEE (XJ)

SERIES	LINE	BODY	ENGINE	TRANSMISSION
P = Limited	J = LHD (4WD)	74=4 Dr. (101.4 WB)	ENC, EN0 = 2.5L 4 Cyl Turbo	DDD = 5 Speed Manual
S = Limited	U = RHD (4WD)	72=2 Dr. (101.4 WB)	ERH, ER0 = 4.0L Power Tech	DGS = 4 Speed Auto AISIN
H = Sport	T = LHD (2WD)			DG0 = All Automatic Trans
L = SE	B = RHD (2WD)			DBB = All Manual Trans

AR = Use as required - = Non illustrated part # = New this model year

May 2, 2002

Seat Covers and Seat Assemblies
Figure IXJ-510



ITEM	PART NUMBER	QTY	LINE	SERIES	BODY	TRIM	DESCRIPTION
		4	U		74	DL	
		4	J, T		74	XJ	
		4	U		74	XJ	
		4	J		72	XJ	
8							COVER, Headrest Sleeve
	5013 172AA	2	J, T		74	DL	Locking
		1	U		74	DL	Locking
	5013 163AA	2	U		74	DL	Non-Locking
		2	J, T		74	DL	Non-Locking
		2	J, T		74	XJ	Non-Locking
		2	U		74	XJ	Non-Locking
		2	J		72	XJ	Non-Locking
	5013 172AA	2	J		72	XJ	Locking
		2	U		74	XJ	Locking
		2	J, T		74	XJ	Locking

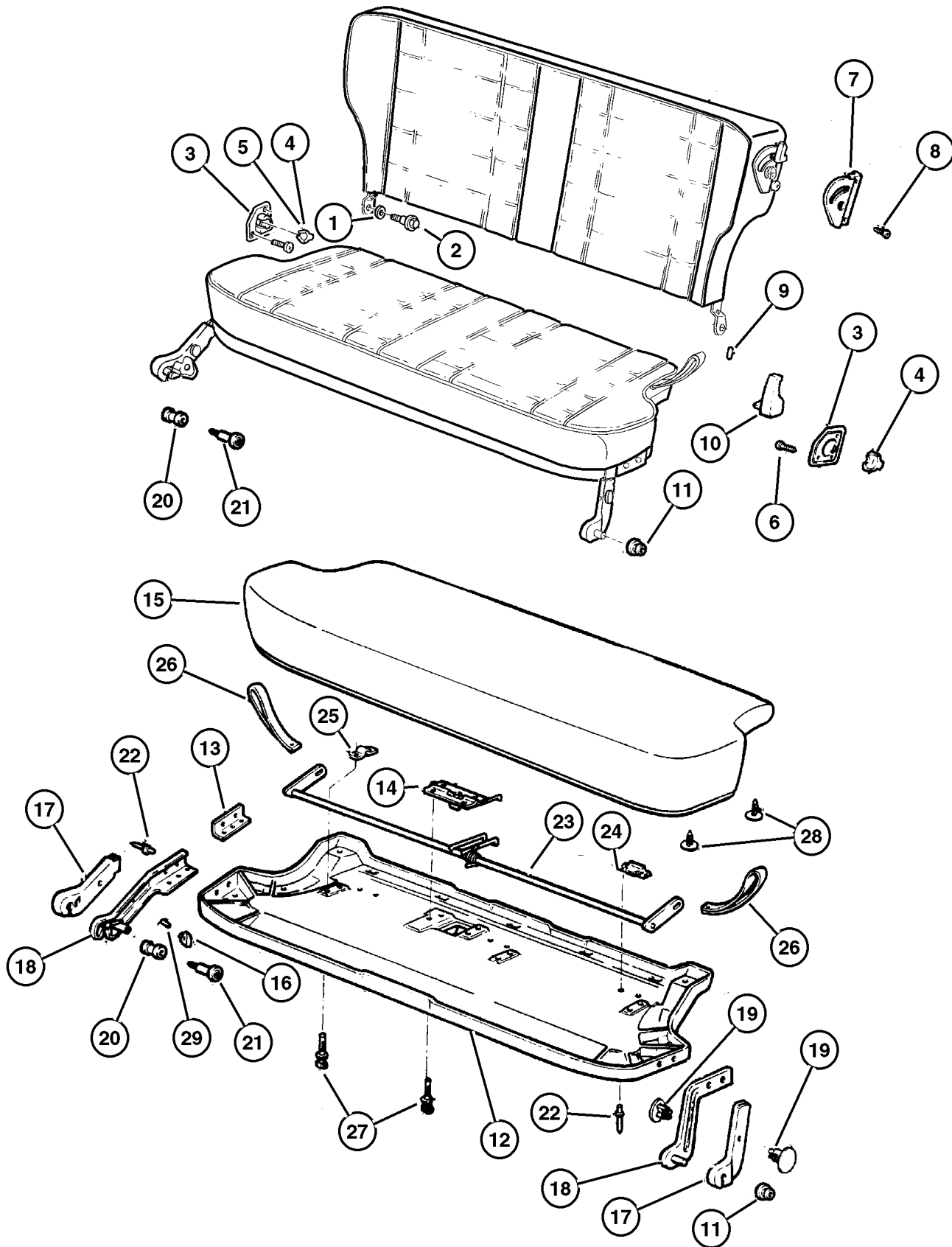
JEEP CHEROKEE (XJ)

SERIES	LINE	BODY	ENGINE	TRANSMISSION
P = Limited	J = LHD (4WD)	74=4 Dr. (101.4 WB)	ENC, EN0 = 2.5L 4 Cyl Turbo	DDD = 5 Speed Manual
S = Limited	U = RHD (4WD)	72=2 Dr. (101.4 WB)	ERH, ER0 = 4.0L Power Tech	DGS = 4 Speed Auto AISIN
H = Sport	T = LHD (2WD)			DG0 = All Automatic Trans
L = SE	B = RHD (2WD)			DBB = All Manual Trans

AR = Use as required - = Non illustrated part # = New this model year

May 2, 2002

Frame and Pad Figure IXJ-610



ITEM	PART NUMBER	QTY	LINE	SERIES	BODY	TRIM	DESCRIPTION
1	5500 5617	1					SPACER, Seat Back Pivot
2	6505 739AA	2					SCREW
3	55195 980AB	1					BRACKET, Seat Lock Striker Right
	55195 981AB	1					Left
4	5500 1212	1					BUMPER, Latch Striker
5	5500 1213	1					BUMPER, Seat Back
6	3420 2189	6	J, T				SCREW, Pan Head Torx, M5x0.8x30.00
		8	B, U				
7							BEZEL, Seat Latch
	5AC6 61AZ	1	J, T		74	B6	[AZ], Right
		1	J, T, U		72	B6	[AZ], Right
	5AC6 61K5	1	J, T		74	B6	[K5], Right
		1	J, T, U		72	B6	[K5], Right
	5AC6 71K5	1	J, T, U		72	B6	[K5], Left
		1	J, T		74	B6	[K5], Left
	5AC6 71AZ	1	J, T, U		72	B6	[AZ], Left
		1	J, T		74	B6	[AZ], Left
	5AC6 61K5	1	U		74	DL	[K5], Right
		1	J, T		74	DL	[K5], Right
	5AC6 61AZ	1	U		74	DL	[AZ], Right
		1	J, T		74	DL	[AZ], Right
	5AC6 71AZ	1	U		74	DL	[AZ], Left
		1	J, T		74	DL	[AZ], Left
	5AC6 71K5	1	U		74	DL	[K5], Left
		1	J, T		74	DL	[K5], Left
		1	J, T		74	M5	[K5], Left
		1	J, T		72	M5	[K5], Left
	5AC6 71AZ	1	J, T		72	M5	[AZ], Left
		1	J, T		74	M5	[AZ], Left
	5AC6 61K5	1	J, T		72	M5	[K5], Right
		1	J, T		74	M5	[K5], Right
	5AC6 61AZ	1	J, T		74	M5	[AZ], Right
		1	J, T		72	M5	[AZ], Right
	5AC6 71AZ	1	J, T		74	X5	[AZ], Left
	5AC6 71K5	1	J, T		74	X5	[K5], Left
	5AC6 61AZ	1	J, T		74	X5	[AZ], Right
		1	J, T		74	X5	[K5], Right
		1	J, T		74	XJ	[K5], Right
		1	J		72	XJ	[K5], Right
		1	U		74	XJ	[K5], Right

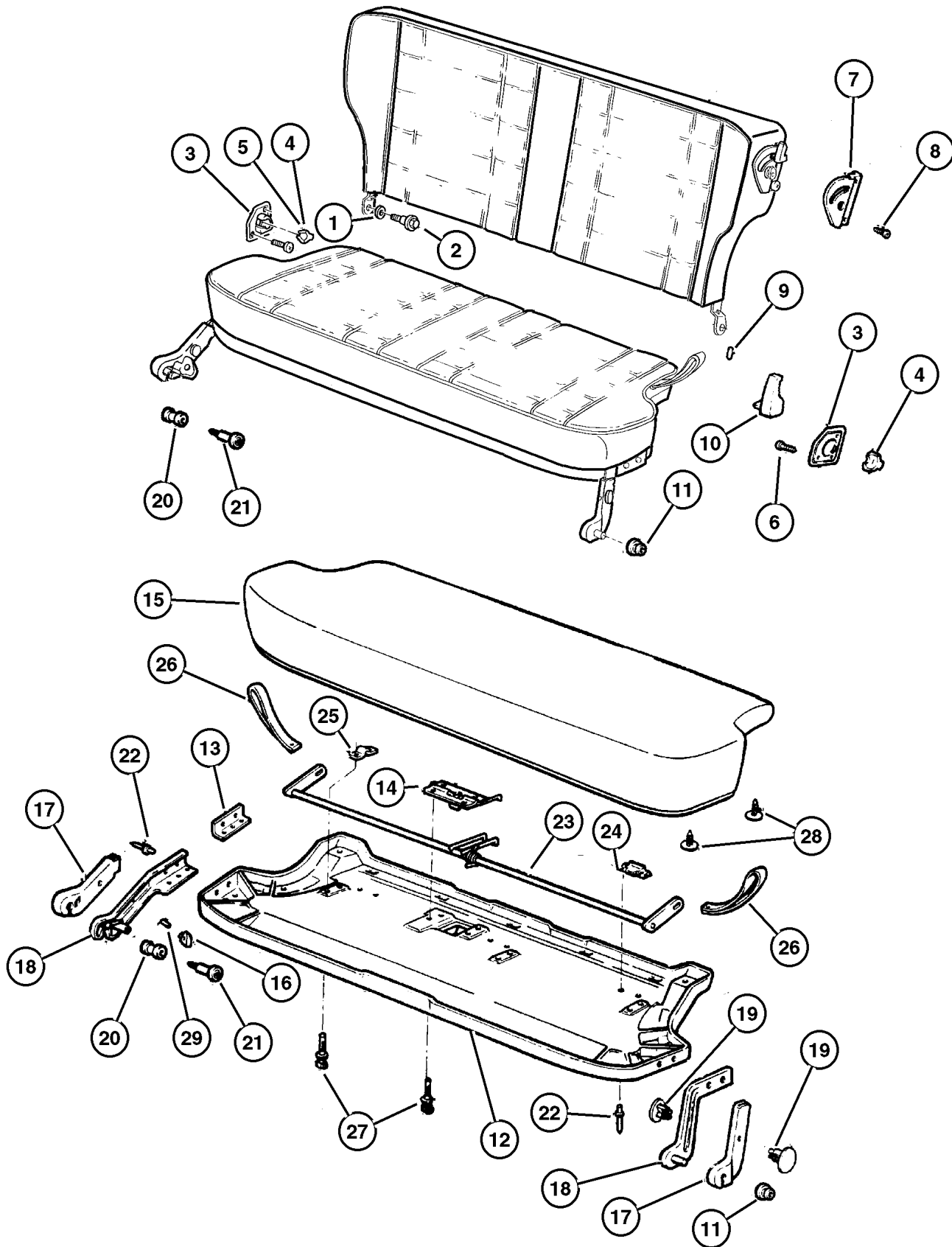
JEEP CHEROKEE (XJ)

SERIES	LINE	BODY	ENGINE	TRANSMISSION
P = Limited	J = LHD (4WD)	74=4 Dr. (101.4 WB)	ENC, EN0 = 2.5L 4 Cyl Turbo	DDD = 5 Speed Manual
S = Limited	U = RHD (4WD)	72=2 Dr. (101.4 WB)	ERH, ER0 = 4.0L Power Tech	DGS = 4 Speed Auto AISIN
H = Sport	T = LHD (2WD)			DG0 = All Automatic Trans
L = SE	B = RHD (2WD)			DBB = All Manual Trans

AR = Use as required - = Non illustrated part # = New this model year

May 2, 2002

Frame and Pad
Figure IXJ-610



ITEM	PART NUMBER	QTY	LINE	SERIES	BODY	TRIM	DESCRIPTION
	5AC6 61AZ	1	U		74	XJ	[AZ], Right
		1	J		72	XJ	[AZ], Right
		1	J, T		74	XJ	[AZ], Right
	5AC6 71AZ	1	U		74	XJ	[AZ], Left
		1	J		72	XJ	[AZ], Left
		1	J, T		74	XJ	[AZ], Left
	5AC6 71K5	1	J, T		74	XJ	[K5], Left
		1	J		72	XJ	[K5], Left
		1	U		74	XJ	[K5], Left
8							SCREW, Tapping Round Head, .164x18x1.232
	3420 1314	4	J, T, U		72		
		4			74		
9							SPRING, Pin
	J045 5735	1	J, T		74	B6	
		1	J, T, U		72	B6	
		1	J, T		74	DL	
		1	U		74	DL	
		1	J, T		72	M5	
		1	J, T		74	M5	
		1	J, T		74	X5	
		1	J, T		74	XJ	
		1	J		72	XJ	
		1	U		74	XJ	
10							KNOB, Seat Back Latch
	QC04 1AZ	1	J, T, U		72	B6	[AZ], Right
		1	J, T		74	B6	[AZ], Right
	QC04 1K5	1	J, T		74	B6	[K5], Right
		1	J, T, U		72	B6	[K5], Right
	QC05 1AZ	1	J, T, U		72	B6	[AZ], Left
		1	J, T		74	B6	[AZ], Left
	QC05 1K5	1	J, T		74	B6	[K5], Left
		1	J, T, U		72	B6	[K5], Left
	QC04 1K5	1	J, T		74	DL	[K5], Right
		1	U		74	DL	[K5], Right
	QC05 1K5	1	U		74	DL	[K5], Left
		1	J, T		74	DL	[K5], Left
	QC04 1AZ	1	U		74	DL	[AZ], Right
		1	J, T		74	DL	[AZ], Right
	QC05 1AZ	1	U		74	DL	[AZ], Left
		1	J, T		74	DL	[AZ], Left
	QC04 1AZ	1	J, T		74	M5	[AZ], Right
		1	J, T		72	M5	[AZ], Right

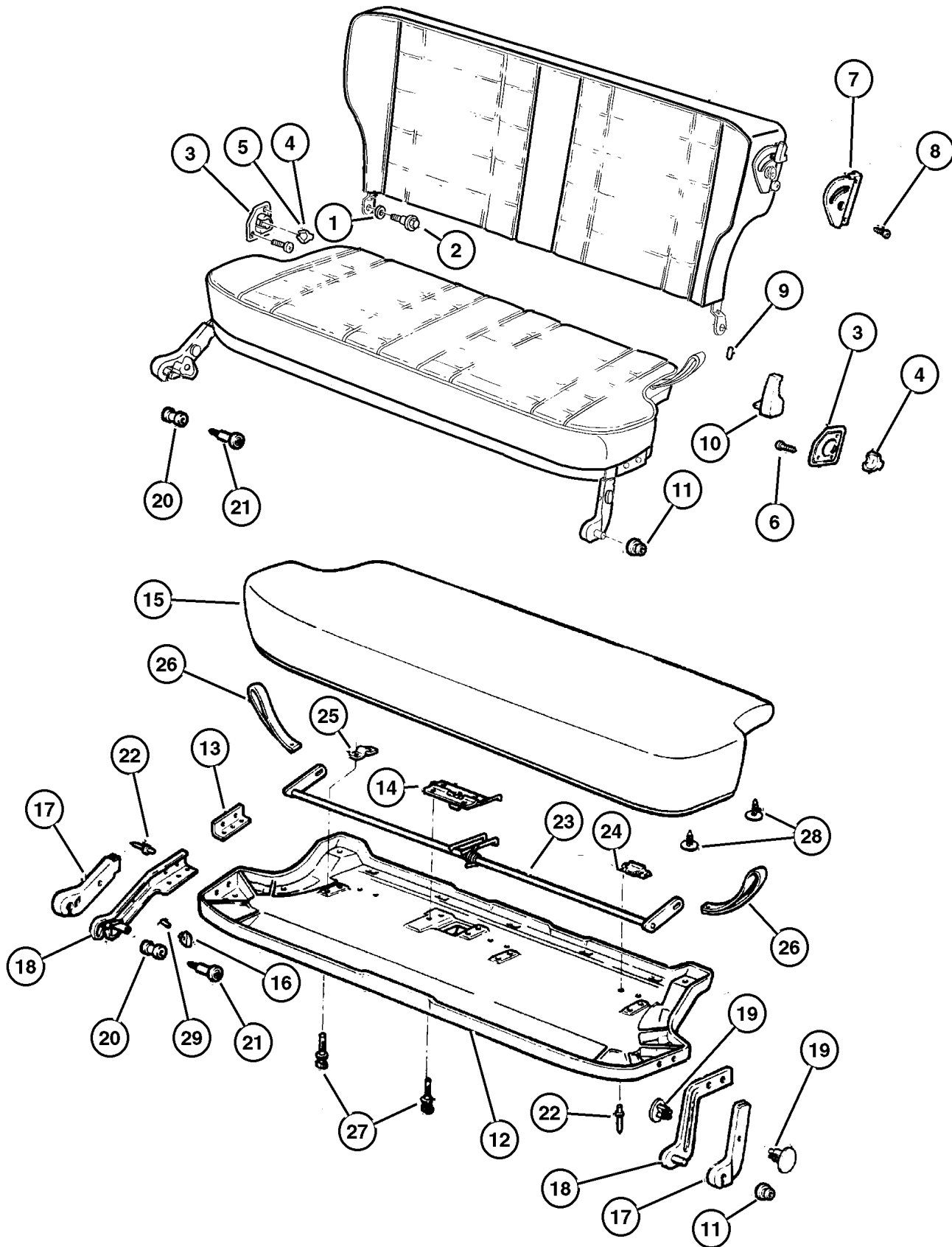
JEEP CHEROKEE (XJ)

SERIES	LINE	BODY	ENGINE	TRANSMISSION
P = Limited	J = LHD (4WD)	74=4 Dr. (101.4 WB)	ENC, EN0 = 2.5L 4 Cyl Turbo	DDD = 5 Speed Manual
S = Limited	U = RHD (4WD)	72=2 Dr. (101.4 WB)	ERH, ER0 = 4.0L Power Tech	DGS = 4 Speed Auto AISIN
H = Sport	T = LHD (2WD)			DG0 = All Automatic Trans
L = SE	B = RHD (2WD)			DBB = All Manual Trans

AR = Use as required - = Non illustrated part # = New this model year

May 2, 2002

Frame and Pad
Figure IXJ-610



ITEM	PART NUMBER	QTY	LINE	SERIES	BODY	TRIM	DESCRIPTION
	QC04 1K5	1	J, T		74	M5	[K5], Right
		1	J, T		72	M5	[K5], Right
	QC05 1AZ	1	J, T		74	M5	[AZ], Left
		1	J, T		72	M5	[AZ], Left
	QC05 1K5	1	J, T		72	M5	[K5], Left
		1	J, T		74	M5	[K5], Left
	QC04 1K5	1	J, T		74	X5	[K5], Right
	QC05 1K5	1	J, T		74	X5	[K5], Left
		1	J		72	XJ	[K5], Left
	QC04 1K5	1	U		74	XJ	[K5], Right
		1	J		72	XJ	[K5], Right
	QC04 1AZ	1	U		74	XJ	[AZ], Right
		1	J, T		74	XJ	[AZ], Right
		1	J		72	XJ	[AZ], Right
	QC05 1AZ	1	J		72	XJ	[AZ], Left
	QC05 1K5	1	J, T		74	XJ	[K5], Left
	QC04 1K5	1	J, T		74	XJ	[K5], Right
	QC05 1AZ	1	J, T		74	XJ	[AZ], Left
		1	U		74	XJ	[AZ], Left
	QC05 1K5	1	U		74	XJ	[K5], Left
11	5500 1230	1					GROMMET, Rear Seat
12							PANEL, Seat Cushion
	5015 244AA	1	J, T, U		72	B6	
		1	J, T		74	B6	
		1	U		74	DL	
		1	J, T		74	DL	
		1	J, T		72	M5	
		1	J, T		74	M5	
		1	J, T		74	X5	
		1	U		74	XJ	
		1	J, T		74	XJ	
		1	J		74	XJ	
13							REINFORCEMENT, Seat Cushion Hinge
	5500 2833	1	J, T		74	B6	
		1	J, T, U		72	B6	
		1	J, T		74	DL	
		1	U		74	DL	
		1	J, T		72	M5	
		1	J, T		74	M5	
		1	J, T		74	X5	
		1	J, T		74	XJ	
		1	J		72	XJ	

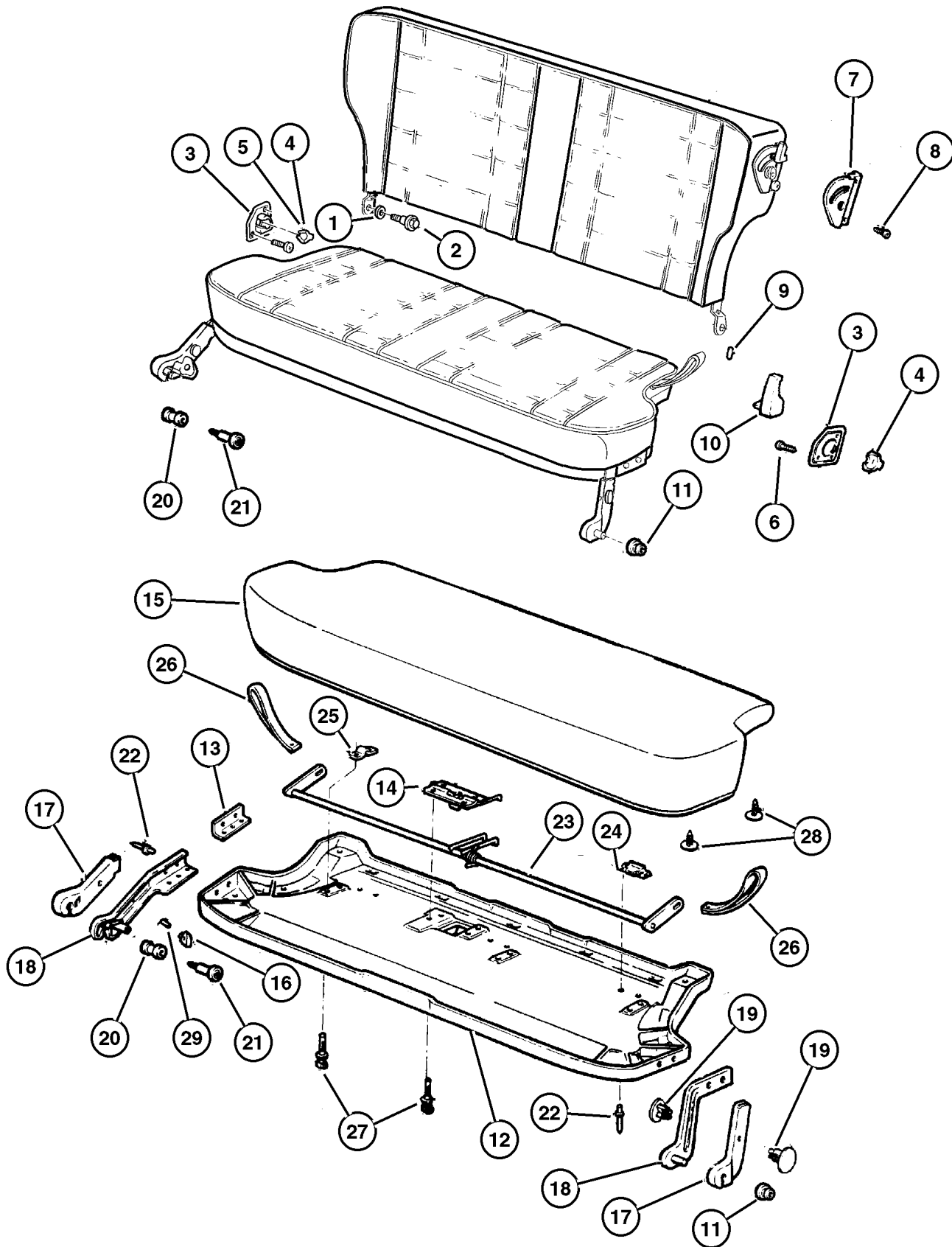
JEEP CHEROKEE (XJ)

SERIES	LINE	BODY	ENGINE	TRANSMISSION
P = Limited	J = LHD (4WD)	74=4 Dr. (101.4 WB)	ENC, EN0 = 2.5L 4 Cyl Turbo	DDD = 5 Speed Manual
S = Limited	U = RHD (4WD)	72=2 Dr. (101.4 WB)	ERH, ER0 = 4.0L Power Tech	DGS = 4 Speed Auto AISIN
H = Sport	T = LHD (2WD)			DG0 = All Automatic Trans
L = SE	B = RHD (2WD)			DBB = All Manual Trans

AR = Use as required - = Non illustrated part # = New this model year

May 2, 2002

Frame and Pad
Figure IXJ-610



ITEM	PART NUMBER	QTY	LINE	SERIES	BODY	TRIM	DESCRIPTION
		1	J		72	XJ	[K5]
		1	U		74	XJ	[K5]
17							COVER, Rear Seat Hinge
	5AC4 61AZ	1	J, T		74	B6	[AZ], Right
		1	J, T, U		72	B6	[AZ], Right
	5AC4 61K5	1	J, T		74	B6	[K5], Right
		1	J, T, U		72	B6	[K5], Right
	5AC4 71K5	1	J, T, U		72	B6	[K5], Left
		1	J, T		74	B6	[K5], Left
	5AC4 71AZ	1	J, T		74	B6	[AZ], Left
		1	J, T, U		72	B6	[AZ], Left
	5AC4 61AZ	1	J, T		74	DL	[AZ], Right
		1	U		74	DL	[AZ], Right
	5AC4 71AZ	1	U		74	DL	[AZ], Left
		1	J, T		74	DL	[AZ], Left
	5AC4 71K5	1	J, T		74	DL	[K5], Left
		1	U		74	DL	[K5], Left
	5AC4 61K5	1	U		74	DL	[K5], Right
		1	J, T		74	DL	[K5], Right
	5AC4 61AZ	1	J, T		74	M5	[AZ], Right
		1	J, T		72	M5	[AZ], Right
	5AC4 61K5	1	J, T		72	M5	[K5], Right
		1	J, T		74	M5	[K5], Right
	5AC4 71AZ	1	J, T		74	M5	[AZ], Left
		1	J, T		72	M5	[AZ], Left
	5AC4 71K5	1	J, T		74	M5	[K5], Left
		1	J, T		72	M5	[K5], Left
	5AC4 61AZ	1	J, T		74	X5	[AZ], Right
	5AC4 71AZ	1	J, T		74	X5	[AZ], Left
	5AC4 71K5	1	J, T		74	X5	[K5], Left
	5AC4 61K5	1	J, T		74	X5	[K5], Right
	5AC4 71K5	1	J		72	XJ	[K5], Left
		1	J, T		74	XJ	[K5], Left
		1	U		74	XJ	[K5], Left
	5AC4 71AZ	1	U		74	XJ	[AZ], Left
	5AC4 61K5	1	J		72	XJ	[K5], Right
		1	J, T		74	XJ	[K5], Right
	5AC4 71AZ	1	J, T		74	XJ	[AZ], Left
		1	J		72	XJ	[AZ], Left
	5AC4 61AZ	1	U		74	XJ	[AZ], Right
		1	J		72	XJ	[AZ], Right
		1	J, T		74	XJ	[AZ], Right

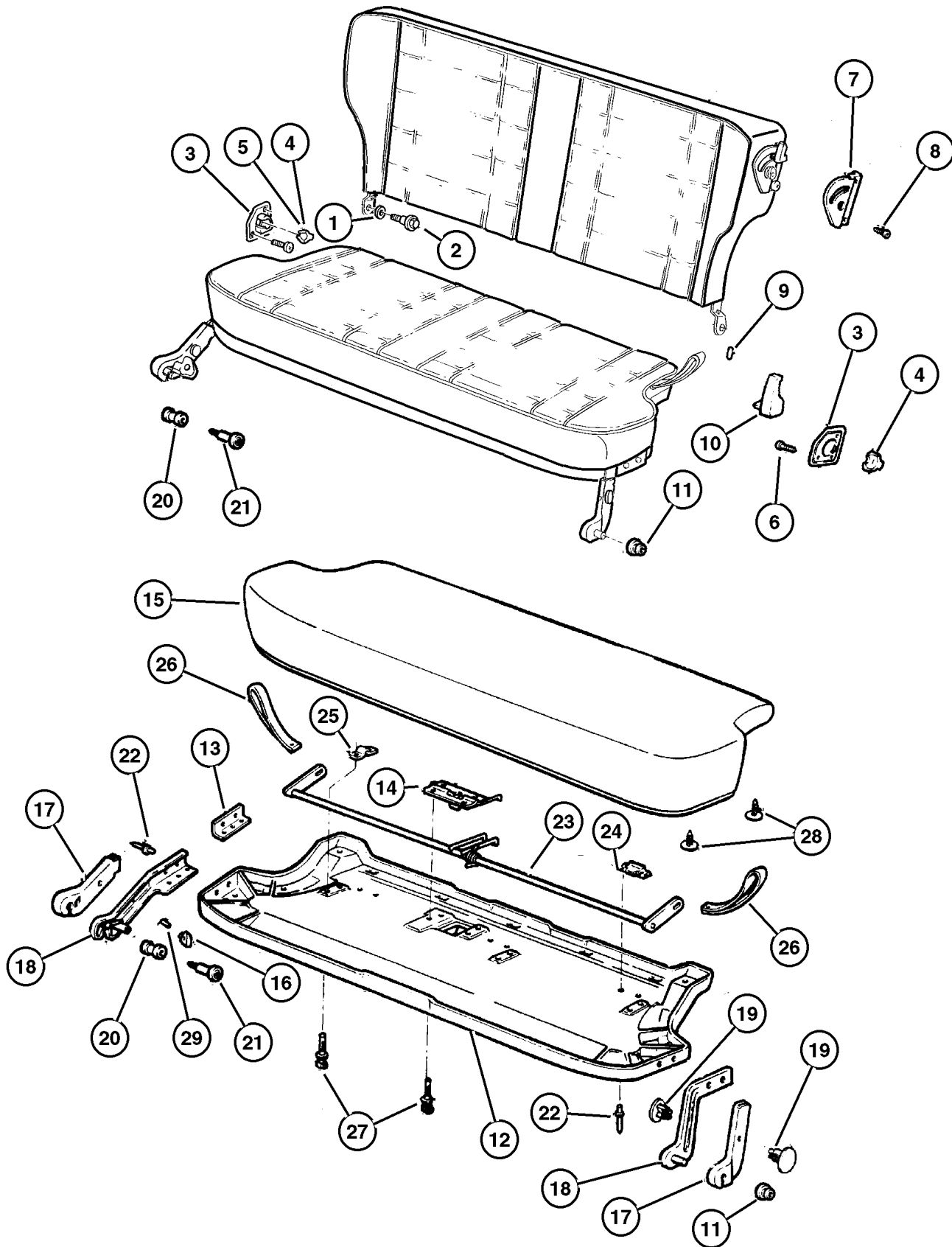
JEEP CHEROKEE (XJ)

SERIES	LINE	BODY	ENGINE	TRANSMISSION
P = Limited	J = LHD (4WD)	74=4 Dr. (101.4 WB)	ENC, EN0 = 2.5L 4 Cyl Turbo	DDD = 5 Speed Manual
S = Limited	U = RHD (4WD)	72=2 Dr. (101.4 WB)	ERH, ER0 = 4.0L Power Tech	DGS = 4 Speed Auto AISIN
H = Sport	T = LHD (2WD)			DG0 = All Automatic Trans
L = SE	B = RHD (2WD)			DBB = All Manual Trans

AR = Use as required - = Non illustrated part # = New this model year

May 2, 2002

Frame and Pad Figure IXJ-610



ITEM	PART NUMBER	QTY	LINE	SERIES	BODY	TRIM	DESCRIPTION
	5AC4 61K5	1	U		74	XJ	[K5], Right
18							HINGE, Seat Cushion
	5500 1136	1	J, T		74	B6	Right
		1	J, T, U		72	B6	Right
	5500 1137	1	J, T		74	B6	Left
		1	J, T, U		72	B6	Left
	5500 1136	1	U		74	DL	Right
		1	J, T		74	DL	Right
	5500 1137	1	J, T		74	DL	Left
		1	U		74	DL	Left
	5500 1136	1	J, T		72	M5	Right
		1	J, T		74	M5	Right
	5500 1137	1	J, T		74	M5	Left
		1	J, T		72	M5	Left
		1	J, T		74	X5	Left
	5500 1136	1	J, T		74	X5	Right
	5500 1137	1	J		72	XJ	Left
		1	U		74	XJ	Left
		1	J, T		74	XJ	Left
	5500 1136	1	J, T		74	XJ	Right
		1	J		72	XJ	Right
		1	U		74	XJ	Right
19							RIVET, M8x12.40 Ratchet Type
	3420 1845	1	J, T		74	B6	
		1	J, T, U		72	B6	
		1	J, T		74	DL	
		1	U		74	DL	
		1	J, T		74	M5	
		1	J, T		72	M5	
		1	J, T		74	X5	
		1	J, T		74	XJ	
		1	U		74	XJ	
		1	J		72	XJ	
20	5500 2437	1					BUSHING, Seat Cushion
21	3420 1530	1					BOLT, Shoulder, M10x1.50x50.6
22							RIVET, M6.3x23.47
	3420 1557	1	J, T		74	B6	
		1	J, T, U		72	B6	
		1	U		74	DL	
		1	J, T		74	DL	
		1	J, T		74	M5	
		1	J, T		72	M5	

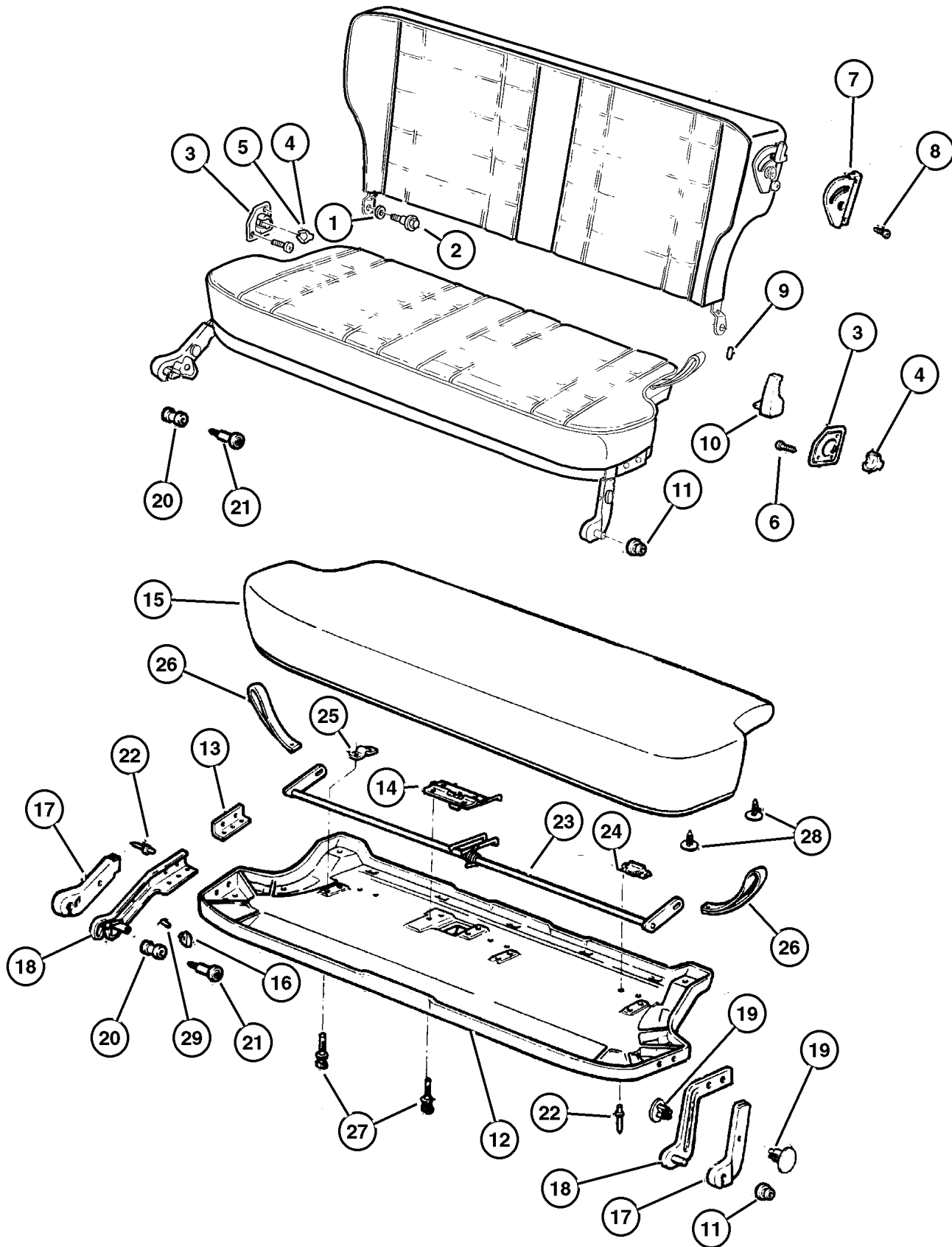
JEEP CHEROKEE (XJ)

SERIES	LINE	BODY	ENGINE	TRANSMISSION
P = Limited	J = LHD (4WD)	74=4 Dr. (101.4 WB)	ENC, EN0 = 2.5L 4 Cyl Turbo	DDD = 5 Speed Manual
S = Limited	U = RHD (4WD)	72=2 Dr. (101.4 WB)	ERH, ER0 = 4.0L Power Tech	DGS = 4 Speed Auto AISIN
H = Sport	T = LHD (2WD)			DG0 = All Automatic Trans
L = SE	B = RHD (2WD)			DBB = All Manual Trans

AR = Use as required - = Non illustrated part # = New this model year

May 2, 2002

Frame and Pad Figure IXJ-610



ITEM	PART NUMBER	QTY	LINE	SERIES	BODY	TRIM	DESCRIPTION
		1	J, T		74	X5	
		1	J, T		74	XJ	
		1	J		72	XJ	
		1	U		74	XJ	
23							RELEASE, Seat Latch
	5500 4302	1	J, T		74	B6	
		1	J, T, U		72	B6	
		1	J, T		74	DL	
		1	U		74	DL	
		1	J, T		74	M5	
		1	J, T		72	M5	
		1	J, T		74	X5	
		1	J, T		74	XJ	
		1	U		74	XJ	
		1	J		72	XJ	
24							BRACKET, Seat Cushion
	5519 5937	1	J, T, U		72	B6	
		1	J, T		74	B6	
		1	U		74	DL	
		1	J, T		74	DL	
		1	J, T		74	M5	
		1	J, T		72	M5	
		1	J, T		74	X5	
		1	J, T		74	XJ	
		1	J		72	XJ	
		1	U		74	XJ	
25							BRACKET, Seat Latch
	5500 4301	1	J, T		74	B6	
		1	J, T, U		72	B6	
		1	J, T		74	DL	
		1	U		74	DL	
		1	J, T		74	M5	
		1	J, T		72	M5	
		1	J, T		74	X5	
		1	U		74	XJ	
		1	J		72	XJ	
		1	J, T		74	XJ	
26							STRAP, Rear Seat Latch
	5AJ4 71AZ	1	J, T, U		72	B6	[AZ]
		1	J, T		74	B6	[AZ]
	5AJ4 71K5	1	J, T		74	B6	[K5]
		1	J, T, U		72	B6	[K5]

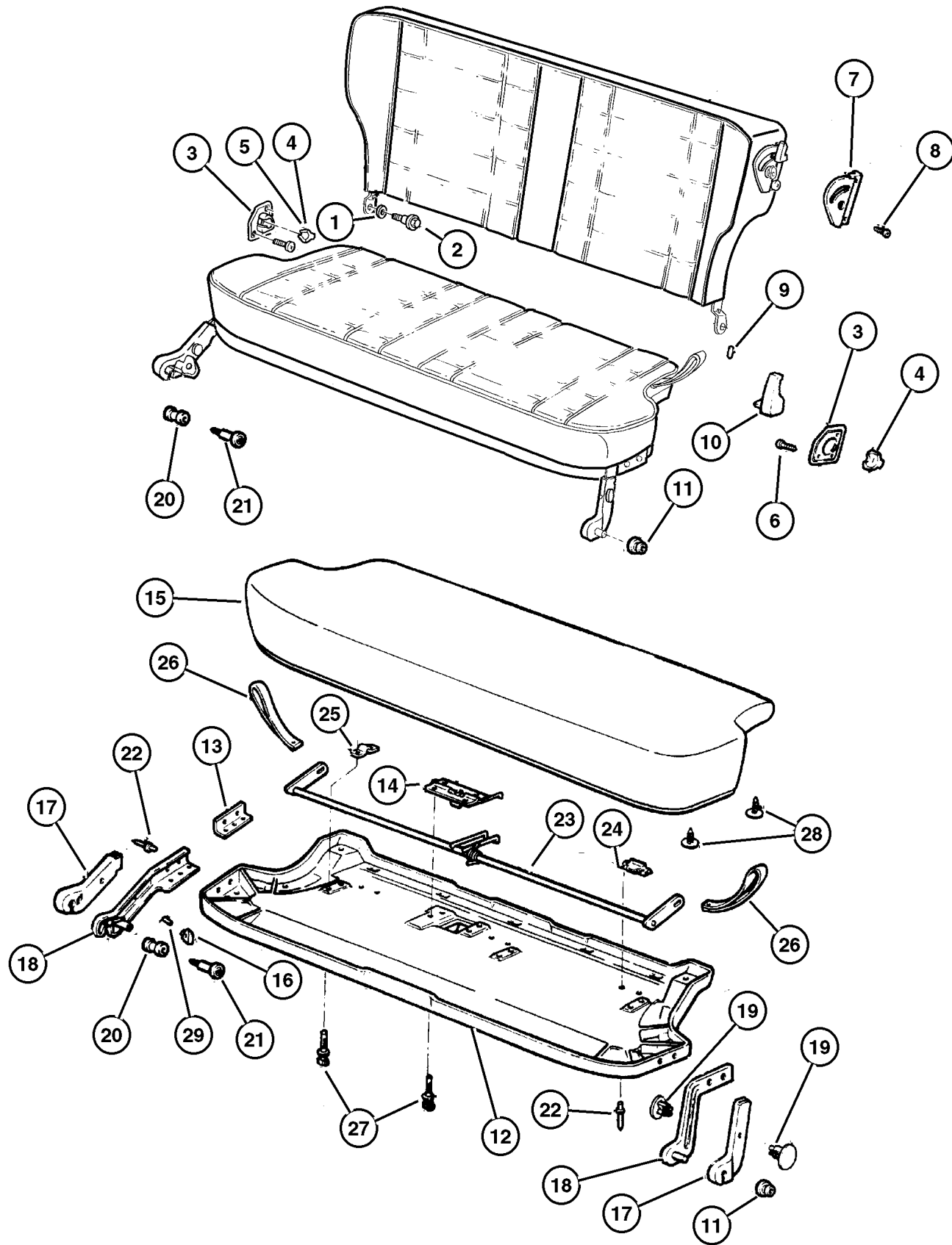
JEEP CHEROKEE (XJ)

SERIES	LINE	BODY	ENGINE	TRANSMISSION
P = Limited	J = LHD (4WD)	74=4 Dr. (101.4 WB)	ENC, EN0 = 2.5L 4 Cyl Turbo	DDD = 5 Speed Manual
S = Limited	U = RHD (4WD)	72=2 Dr. (101.4 WB)	ERH, ER0 = 4.0L Power Tech	DGS = 4 Speed Auto AISIN
H = Sport	T = LHD (2WD)			DG0 = All Automatic Trans
L = SE	B = RHD (2WD)			DBB = All Manual Trans

AR = Use as required - = Non illustrated part # = New this model year

May 2, 2002

Frame and Pad Figure IXJ-610



ITEM	PART NUMBER	QTY	LINE	SERIES	BODY	TRIM	DESCRIPTION
	5AJ4 71AZ	1	J, T		74	DL	[AZ]
		1	U		74	DL	[AZ]
	5AJ4 71K5	1	U		74	DL	[K5]
		1	J, T		74	DL	[K5]
	5AJ4 71AZ	1	J, T		74	M5	[AZ]
		1	J, T		72	M5	[AZ]
	5AJ4 71K5	1	J, T		72	M5	[K5]
		1	J, T		74	M5	[K5]
		1	J, T		74	X5	[K5]
	5AJ4 71AZ	1	J, T		74	X5	[AZ]
		1	U		74	XJ	[AZ]
		1	J, T		74	XJ	[AZ]
		1	J		72	XJ	[AZ]
	5AJ4 71K5	1	J		72	XJ	[K5]
		1	U		74	XJ	[K5]
		1	J, T		74	XJ	[K5]
27							RIVET, Blind, M6.25x28
	3420 2078	1	J, T		74	B6	
		1	J, T, U		72	B6	
		1	J, T		74	DL	
		1	U		74	DL	
		1	J, T		74	M5	
		1	J, T		72	M5	
		1	J, T		74	X5	
		1	J, T		74	XJ	
		1	U		74	XJ	
		1	J		72	XJ	
28							FASTENER, .193 Hole
	5AA3 41AZ	1	J, T, U		72	B6	[AZ]
		1	J, T		74	B6	[AZ]
	5AA3 41K5	1	J, T		74	B6	[K5]
		1	J, T, U		72	B6	[K5]
	5AA3 41AZ	1	J, T		74	DL	[AZ]
		1	U		74	DL	[AZ]
	5AA3 41K5	1	U		74	DL	[K5]
		1	J, T		74	DL	[K5]
	5AA3 41AZ	1	J, T		74	M5	[AZ]
		1	J, T		72	M5	[AZ]
	5AA3 41K5	1	J, T		74	M5	[K5]
		1	J, T		72	M5	[K5]
		1	J, T		74	X5	[K5]
	5AA3 41AZ	1	J, T		74	X5	[AZ]

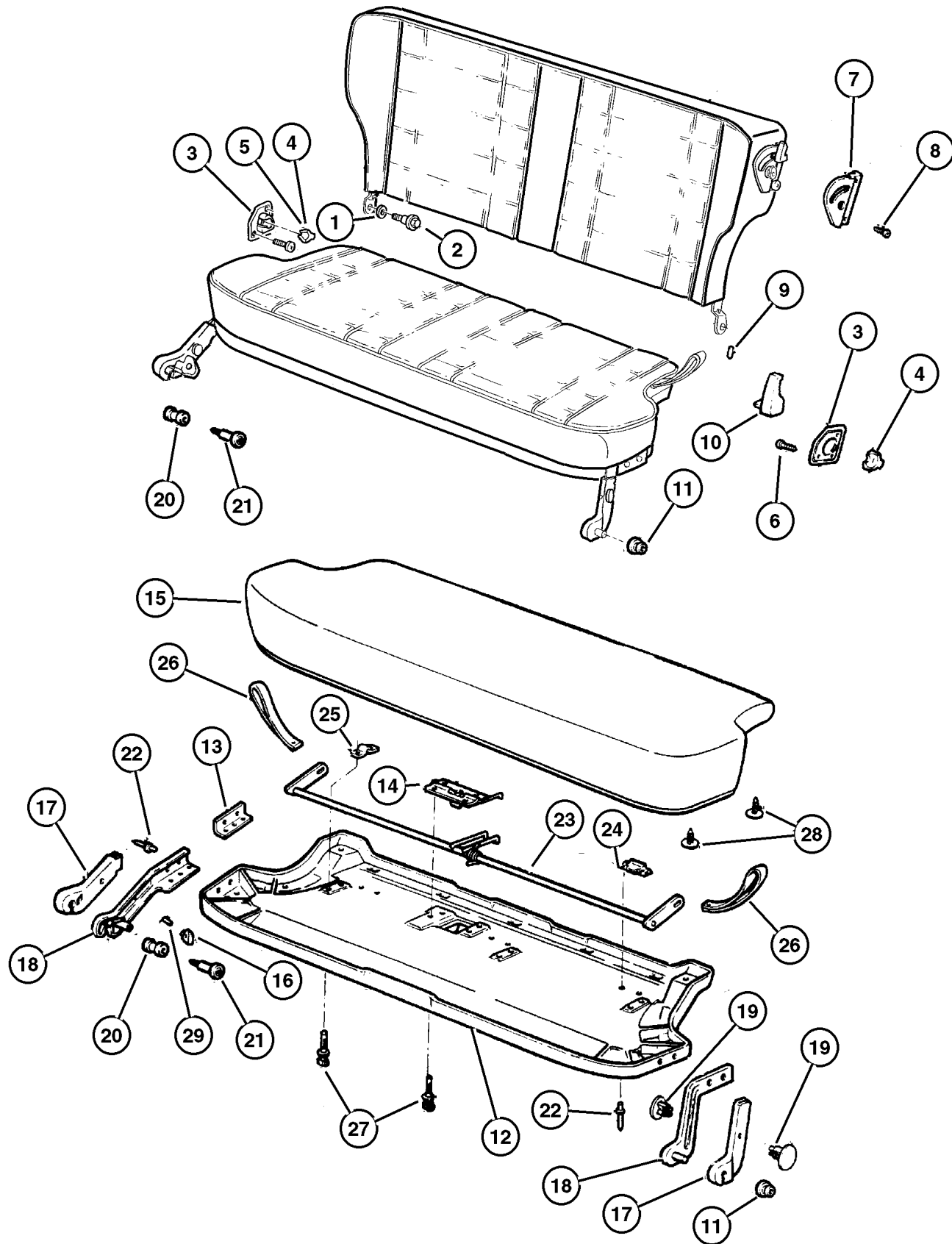
JEEP CHEROKEE (XJ)

SERIES	LINE	BODY	ENGINE	TRANSMISSION
P = Limited	J = LHD (4WD)	74=4 Dr. (101.4 WB)	ENC, EN0 = 2.5L 4 Cyl Turbo	DDD = 5 Speed Manual
S = Limited	U = RHD (4WD)	72=2 Dr. (101.4 WB)	ERH, ER0 = 4.0L Power Tech	DGS = 4 Speed Auto AISIN
H = Sport	T = LHD (2WD)			DG0 = All Automatic Trans
L = SE	B = RHD (2WD)			DBB = All Manual Trans

AR = Use as required - = Non illustrated part # = New this model year

May 2, 2002

Frame and Pad Figure IXJ-610



ITEM	PART NUMBER	QTY	LINE	SERIES	BODY	TRIM	DESCRIPTION
	5AA3 41K5	1	J, T		74	XJ	[K5]
	5AA3 41AZ	1	J		72	XJ	[AZ]
		1	J, T		74	XJ	[AZ]
	5AA3 41K5	1	J		72	XJ	[K5]
	5AA3 41AZ	1	U		74	XJ	[AZ]
29	5AA3 41K5	1	U		74	XJ	[K5]
							SPRING, Pin
	J045 5735	1	J, T		74	B6	
		1	J, T, U		72	B6	
		1	J, T		74	DL	
		1	U		74	DL	
		1	J, T		72	M5	
		1	J, T		74	M5	
		1	J, T		74	X5	
		1	J, T		74	XJ	
		1	U		74	XJ	
		1	J		72	XJ	

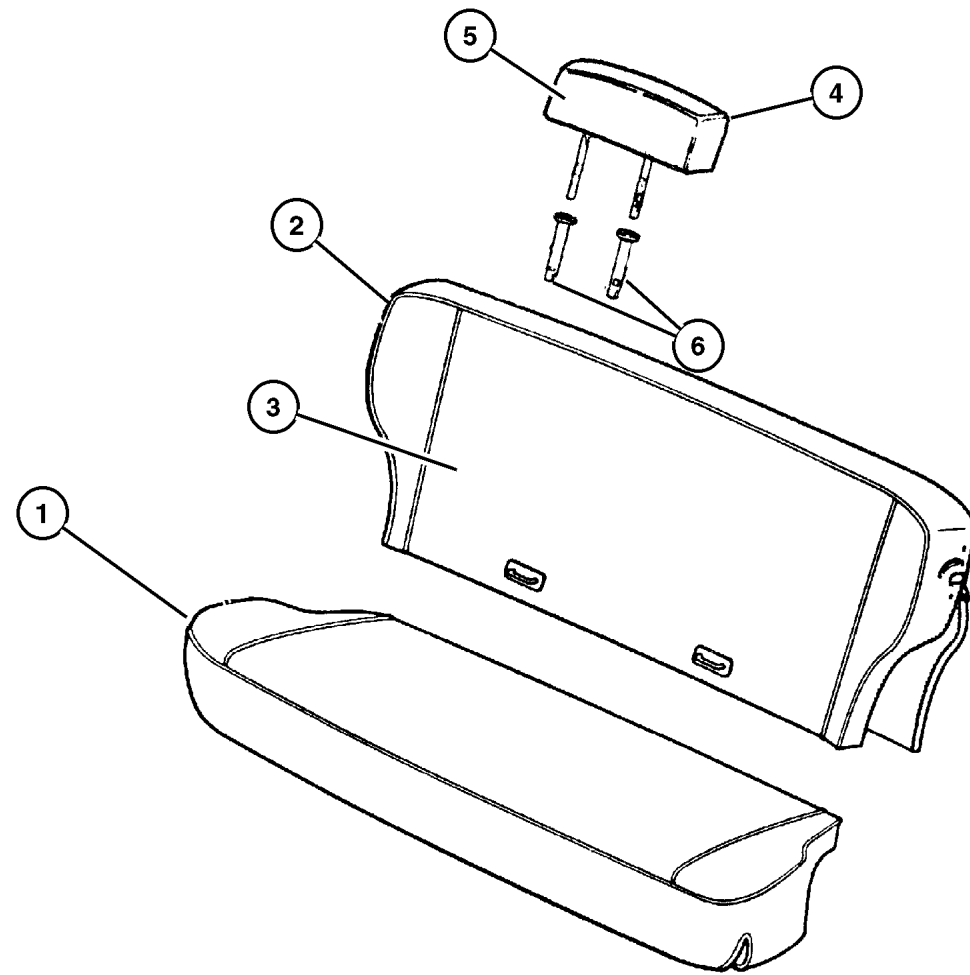
JEEP CHEROKEE (XJ)

SERIES	LINE	BODY	ENGINE	TRANSMISSION
P = Limited	J = LHD (4WD)	74=4 Dr. (101.4 WB)	ENC, EN0 = 2.5L 4 Cyl Turbo	DDD = 5 Speed Manual
S = Limited	U = RHD (4WD)	72=2 Dr. (101.4 WB)	ERH, ER0 = 4.0L Power Tech	DGS = 4 Speed Auto AISIN
H = Sport	T = LHD (2WD)			DG0 = All Automatic Trans
L = SE	B = RHD (2WD)			DBB = All Manual Trans

AR = Use as required - = Non illustrated part # = New this model year

May 2, 2002

Covers, Seat Upholstery
Figure IXJ-620



ITEM	PART NUMBER	QTY	LINE	SERIES	BODY	TRIM	DESCRIPTION
1							COVER, Rear Seat Cushion
	TD74 1AZAA	1	J, T, U		72	B6	[AZ]
		1	J, T		74	B6	[AZ]
	TD74 1K5AA	1	J, T		74	B6	[K5]
		1	J, T, U		72	B6	[K5]
	TD75 1AZAA	1	U		74	DL	[AZ]
		1	J, T		74	DL	[AZ]
	TD75 1K5AA	1	U		74	DL	[K5]
		1	J, T		74	DL	[K5]
	TD76 1AZAA	1	J, T		72	M5	[AZ]
		1	J, T		74	M5	[AZ]
	TD76 1K5AA	1	J, T		72	M5	[K5]
		1	J, T		74	M5	[K5]
	TD74 1AZAA	1	J, T		74	X5	[AZ]
	TD74 1K5AA	1	J, T		74	X5	[K5]
	TD77 1AZAA	1	J, T		74	XJ	[AZ]
		1	J		72	XJ	[AZ]
		1	U		74	XJ	[AZ]
	TD77 1K5AA	1	J, T		74	XJ	[K5]
		1	J		72	XJ	[K5]
		1	U		74	XJ	[K5]
2							SEAT BACK, Rear
	TD62 1AZAA	1	J, T, U		72	B6	[AZ]
		1	J, T		74	B6	[AZ]
		1	J, T		74	X5	[AZ]
	TD62 1K5AA	1	J, T, U		72	B6	[K5]
		1	J, T		74	X5	[K5]
		1	J, T		74	B6	[K5]
	TD64 1AZAA	1	J, T		74	DL	[AZ]
	TD64 1K5AA	1	J, T		74	DL	[K5]
	TD66 1AZAA	1	J		74	DL	[AZ], Export
		1	U		74	DL	[AZ], Export
	TD66 1K5AA	1	U		74	DL	[K5], Export
		1	J		74	DL	[K5], Export
	TD68 1AZAA	1	B, U		74	M5	[AZ]
		1	J, T		74	M5	[AZ]
		1	J, T		72	M5	[AZ]
	TD68 1K5AA	1	J, T		72	M5	[K5]
		1	B, U		74	M5	[K5]
		1	J, T		74	M5	[K5]
	TD70 1AZAA	1	J, T		74	XJ	[AZ]
	TD70 1K5AA	1	J, T		74	XJ	[K5]

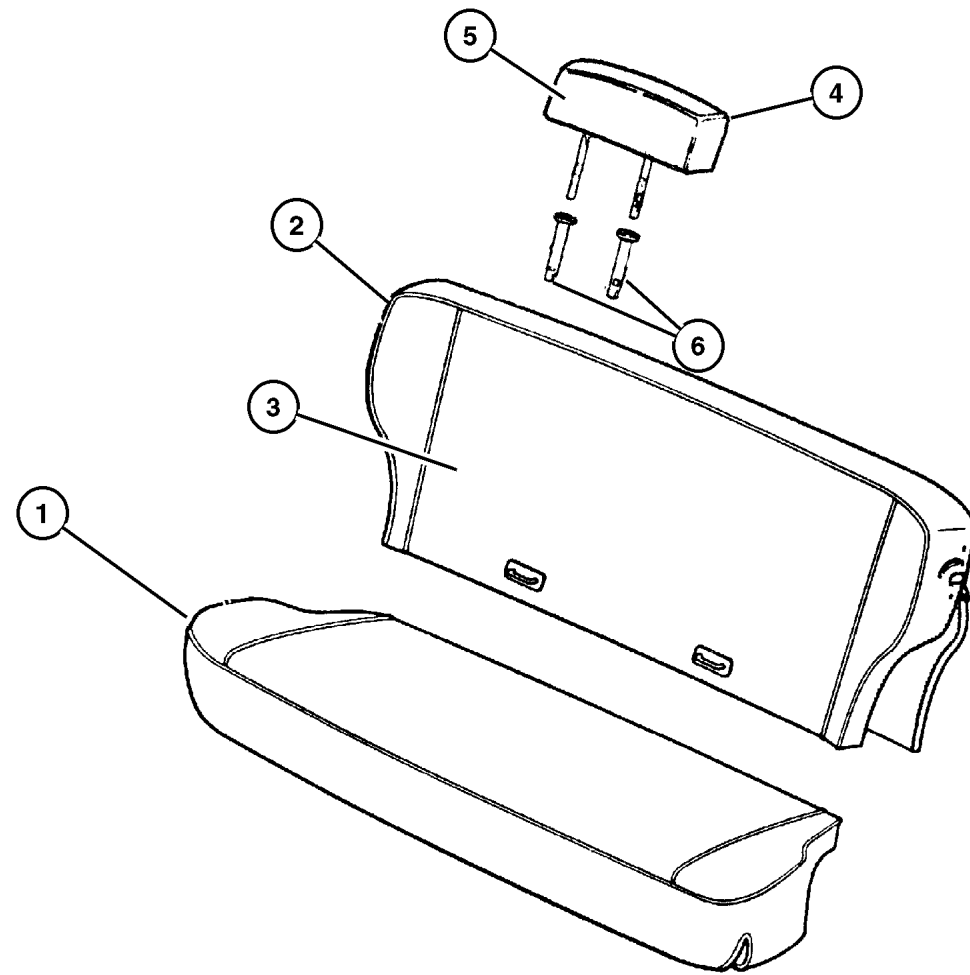
JEEP CHEROKEE (XJ)

SERIES	LINE	BODY	ENGINE	TRANSMISSION
P = Limited	J = LHD (4WD)	74=4 Dr. (101.4 WB)	ENC, EN0 = 2.5L 4 Cyl Turbo	DDD = 5 Speed Manual
S = Limited	U = RHD (4WD)	72=2 Dr. (101.4 WB)	ERH, ER0 = 4.0L Power Tech	DGS = 4 Speed Auto AISIN
H = Sport	T = LHD (2WD)			DG0 = All Automatic Trans
L = SE	B = RHD (2WD)			DBB = All Manual Trans

AR = Use as required - = Non illustrated part # = New this model year

May 2, 2002

Covers, Seat Upholstery
Figure IXJ-620



ITEM	PART NUMBER	QTY	LINE	SERIES	BODY	TRIM	DESCRIPTION
	TD72 1AZAA	1	U		74	XJ	[AZ], Export
		1	J		74	XJ	[AZ], Export
		1	J		72	XJ	[AZ], Export
	TD72 1K5AA	1	U		74	XJ	[K5], Export
		1	J		74	XJ	[K5], Export
		1	J		72	XJ	[K5], Export
3							COVER, Rear Seat Back
	TD63 1AZAA	1	J, T, U		72	B6	[AZ]
		1	J, T		74	B6	[AZ]
	TD63 1K5AA	1	J, T		74	B6	[K5]
		1	J, T, U		72	B6	[K5]
	TD65 1AZAA	1	J, T		74	DL	[AZ]
	TD65 1K5AA	1	J, T		74	DL	[K5]
	TD67 1AZAA	1	J		74	DL	[AZ], Export
		1	U		74	DL	[AZ], Export
	TD67 1K5AA	1	J		74	DL	[K5], Export
		1	U		74	DL	[K5], Export
	TD69 1AZAA	1	J, T		72	M5	[AZ]
		1	J, T		74	M5	[AZ]
	TD69 1K5AA	1	J, T		72	M5	[K5]
		1	J, T		74	M5	[K5]
	TD63 1AZAA	1	J, T		74	X5	[AZ]
	TD63 1K5AA	1	J, T		74	X5	[K5]
	TD71 1AZAA	1	J, T		74	XJ	[AZ]
	TD71 1K5AA	1	J, T		74	XJ	[K5]
	TD73 1AZAA	1	J		72	XJ	[AZ], Export
		1	J		74	XJ	[AZ], Export
		1	U		74	XJ	[AZ], Export
	TD73 1K5AA	1	J		72	XJ	[K5], Export
		1	J		74	XJ	[K5], Export
		1	U		74	XJ	[K5], Export
4							HEADREST, Rear
	TV69 1AZAA	1	J		74	DL	[AZ]
		1	U		74	DL	[AZ]
	TV69 1K5AA	1	J		74	DL	[K5]
		1	U		74	DL	[K5]
	TV71 1AZAA	1	J		72	XJ	[AZ]
		1	J		74	XJ	[AZ]
		1	U		74	XJ	[AZ]
	TV71 1K5AA	1	J		72	XJ	[K5]
		1	U		74	XJ	[K5]
		1	J		74	XJ	[K5]
5							COVER, Seat Headrest

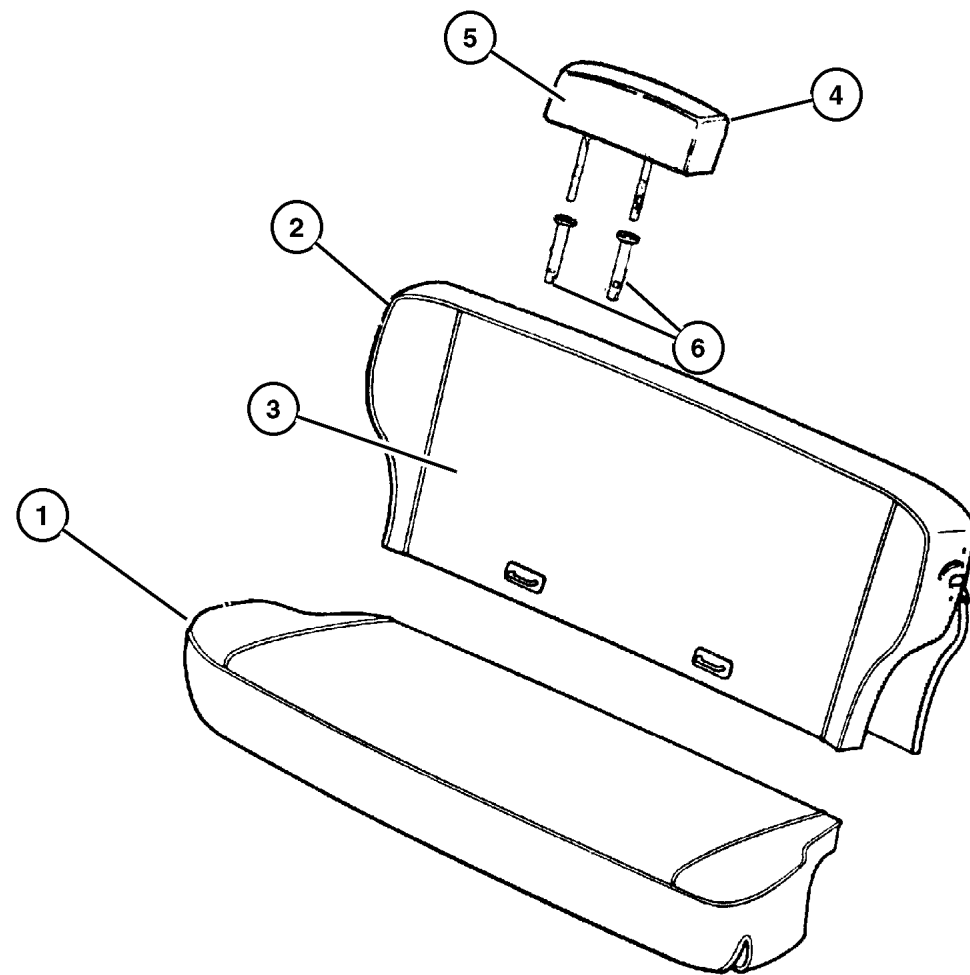
JEEP CHEROKEE (XJ)

SERIES	LINE	BODY	ENGINE	TRANSMISSION
P = Limited	J = LHD (4WD)	74=4 Dr. (101.4 WB)	ENC, EN0 = 2.5L 4 Cyl Turbo	DDD = 5 Speed Manual
S = Limited	U = RHD (4WD)	72=2 Dr. (101.4 WB)	ERH, ER0 = 4.0L Power Tech	DGS = 4 Speed Auto AISIN
H = Sport	T = LHD (2WD)			DG0 = All Automatic Trans
L = SE	B = RHD (2WD)			DBB = All Manual Trans

AR = Use as required - = Non illustrated part # = New this model year

May 2, 2002

**Covers, Seat Upholstery
Figure IXJ-620**



ITEM	PART NUMBER	QTY	LINE	SERIES	BODY	TRIM	DESCRIPTION
	QW20 1AZAA	1	J, T		74	DL	[AZ]
		1	J		74	DL	[AZ]
		1	U		74	DL	[AZ]
	QW20 1K5AA	1	J, T		74	DL	[K5]
		1	J		74	DL	[K5]
		1	U		74	DL	[K5]
	TV70 1AZAA	1	U		74	DL	[AZ], Export
		1	J		74	DL	[AZ], Export
	TV70 1K5AA	1	J		74	DL	[K5], Export
		1	U		74	DL	[K5], Export
	QW65 1AZAA	1	J		74	XJ	[AZ]
		1	U		74	XJ	[AZ]
		1	J		72	XJ	[AZ]
	QW65 1K5AA	1	J, T		74	XJ	[K5]
		1	J		72	XJ	[K5]
		1	U		74	XJ	[K5]
	TV72 1AZAA	1	J		72	XJ	[AZ], Export
		1	J		74	XJ	[AZ], Export
		1	U		74	XJ	[AZ], Export
	TV72 1K5AA	1	J		72	XJ	[K5], Export
		1	U		74	XJ	[K5], Export
		1	J		74	XJ	[K5], Export
6							CYLINDER, Headrest
	5016 551AA	1	U		74	DL	
		1	J		74	DL	
		1	J		72	XJ	
		1	J		74	XJ	
		1	U		74	XJ	
-7	55315 034AA	1					TETHER, Child Seat

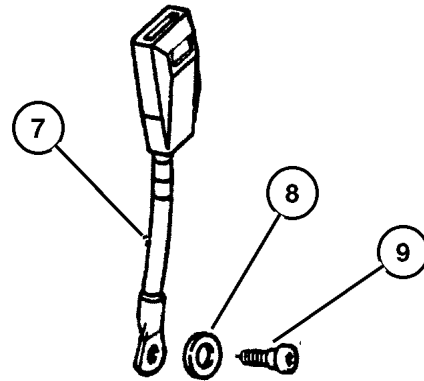
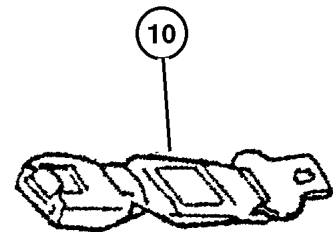
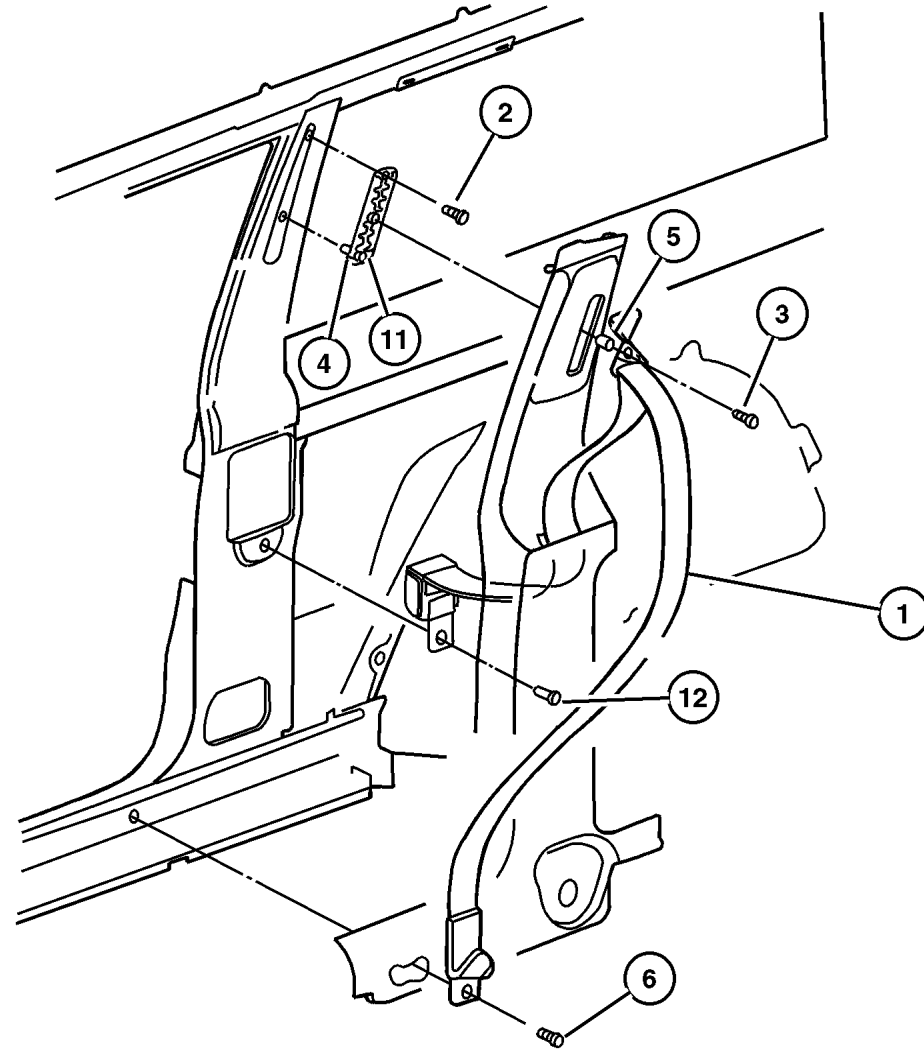
JEEP CHEROKEE (XJ)

SERIES	LINE	BODY	ENGINE	TRANSMISSION
P = Limited	J = LHD (4WD)	74=4 Dr. (101.4 WB)	ENC, EN0 = 2.5L 4 Cyl Turbo	DDD = 5 Speed Manual
S = Limited	U = RHD (4WD)	72=2 Dr. (101.4 WB)	ERH, ER0 = 4.0L Power Tech	DGS = 4 Speed Auto AISIN
H = Sport	T = LHD (2WD)			DG0 = All Automatic Trans
L = SE	B = RHD (2WD)			DBB = All Manual Trans

AR = Use as required - = Non illustrated part # = New this model year

May 2, 2002

Seat Belts, Front Seat 2 Door
Figure IXJ-710



ITEM	PART NUMBER	QTY	LINE	SERIES	BODY	TRIM	DESCRIPTION
1							SEAT BELT, Front Outer
	5GG66 LAZAB	2	J, U		72		Export
	5EZ14 LAZAG	1	J, T		72		Right
	5EZ15 LAZAH	1	J, T		72		Left
2	6036 295AA	2					SCREW, Pan Head
3	6036 095AA	2	J, T, U		72		SCREW, Pan Head
4	55314 697AC	2					ADJUSTER, Seat Belt Turning Loop
5	55352 693AA	2	J, T, U		72		SPACER
6	6036 294AA	1					BOLT, Shoulder
7							SEAT BELT, Front Inner
	5HG44 LAZAA	1	J, T, U		72	B6	Right
	5HG45 LAZAA	1	J, T, U		72	B6	Left
	5HG44 LAZAA	1	J, T		72	M5	Right
	5HG45 LAZAA	1	J, T		72	M5	Left
	5GA13 1AZAA	1	J		72	XJ	Left
	5EE5 2LAZ	1	J		72	XJ	Right
8							WASHER, Seat Belt Attaching
	4798 898	1	J, T		72	M5	
		1	J		72	XJ	
9							SCREW, Button Head, .375-24x.62
	6035 115	1	J, T, U		72	B6	
		2	J, T		72	M5	
		1	J		72	XJ	
10	4740 415	1					EXTENDER, Seat Belt
11	6506 393AA	2					SCREW, Hex Head, M10x1.5x30
12	6036 187AA	2					SCREW, Pan Head

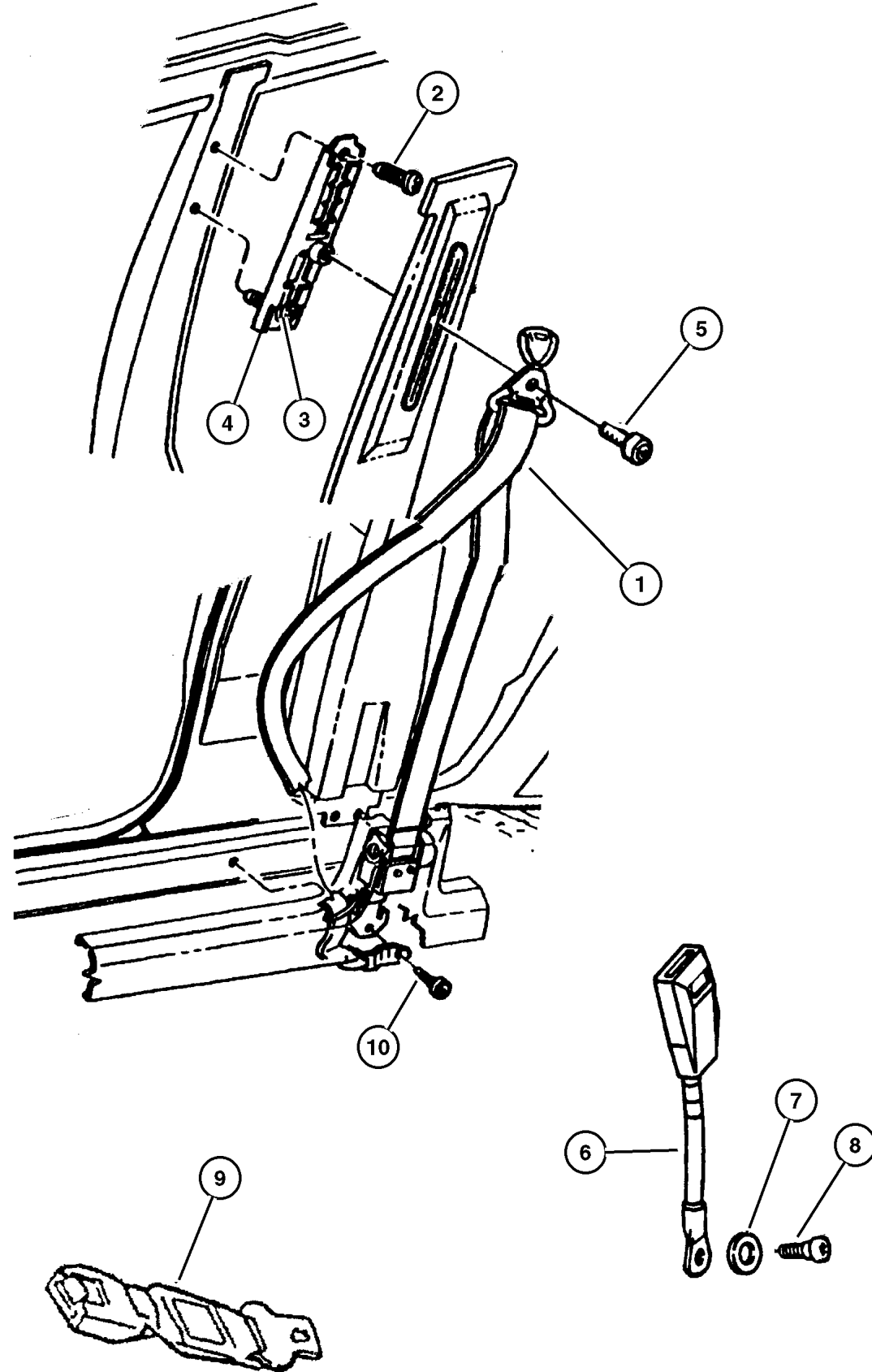
JEEP CHEROKEE (XJ)

SERIES	LINE	BODY	ENGINE	TRANSMISSION
P = Limited	J = LHD (4WD)	74=4 Dr. (101.4 WB)	ENC, EN0 = 2.5L 4 Cyl Turbo	DDD = 5 Speed Manual
S = Limited	U = RHD (4WD)	72=2 Dr. (101.4 WB)	ERH, ER0 = 4.0L Power Tech	DGS = 4 Speed Auto AISIN
H = Sport	T = LHD (2WD)			DG0 = All Automatic Trans
L = SE	B = RHD (2WD)			DBB = All Manual Trans

AR = Use as required - = Non illustrated part # = New this model year

May 2, 2002

Seat Belts, Front Seat 4 Door
Figure IXJ-720



ITEM	PART NUMBER	QTY	LINE	SERIES	BODY	TRIM	DESCRIPTION
1							SEAT BELT, Front Outer
	5FM30 LAZAI	1			74		Right
	5FM31 LAZAJ	1			74		Left
	5GG68 LAZAE	1	J, U		74		Right,Export
	5GG69 LAZAE	1	J, U		74		Left,Export
2	6036 295AA	2					SCREW, Pan Head
3	6506 393AA	2					SCREW, Hex Head, M10x1.5x30
4	55314 697AC	2					ADJUSTER, Seat Belt Turning Loop
5							SCREW, Pan Head, .437-20x1.375, Serviced in Seat Belt Assembly, (NOT SERVICED)
6							SEAT BELT, Front Inner
	5HG44 LAZAA	1	J, T		74	B6	Right
	5HG45 LAZAA	1	J, T		74	B6	Left
	5HG44 LAZAA	1	J, T		74	DL	Right,Manual
	5HG42 LAZAA	1	J		74	DL	Right,Power
	5HG43 LAZAA	1	J, T		74	DL	Left,Power
	5GH59 1AZAA	1	U		74	DL	Left,Export
	5GH60 1AZAA	1	U		74	DL	Right,Export
	5HG45 LAZAA	1	J, T		74	M5	Left,Manual
	5HG43 LAZAA	1	J, T		74	M5	Right,Power
	5HG44 LAZAA	1	J, T		74	M5	Right,Manual
		1	J, T		74	X5	Right,Manual
	5HG45 LAZAA	1	J, T		74	X5	Left,Manual
	5GA13 1AZAA	1	J		74	XJ	Left,Manual,Export
	5EE5 2LAZ	1	J		74	XJ	Right,Manual,Export
	5GH60 1AZAA	1	U		74	XJ	Right,Power,Export
	5HG42 LAZAA	1	J		74	XJ	Right,Power,Export
	5GH59 1AZAA	1	U		74	XJ	Left,Power,Export
	5GA12 1AZAA	1	U		74	XJ	Right,Manual,Export
	5GA13 1AZAA	1	U		74	XJ	Left,Manual,Export
	5HG43 LAZAA	1	J, T		74	XJ	Left,Power
	5HG45 LAZAA	1	J, T		74	XJ	Left,Manual
	5HG44 LAZAA	1	J, T		74	XJ	Right,Manual
	5GH59 1AZAA	1	J		74	XJ	Left,Power,Export
7							WASHER, Seat Belt Attaching
	4798 898	1	J, T		74	B6	
		1	J, T		74	DL	
		1	U		74	DL	
		1	J, T		74	M5	
		1	J, T		74	X5	
		1	U		74	XJ	
		1	J, T		74	XJ	
8							SCREW, Button Head, .375-24x.62

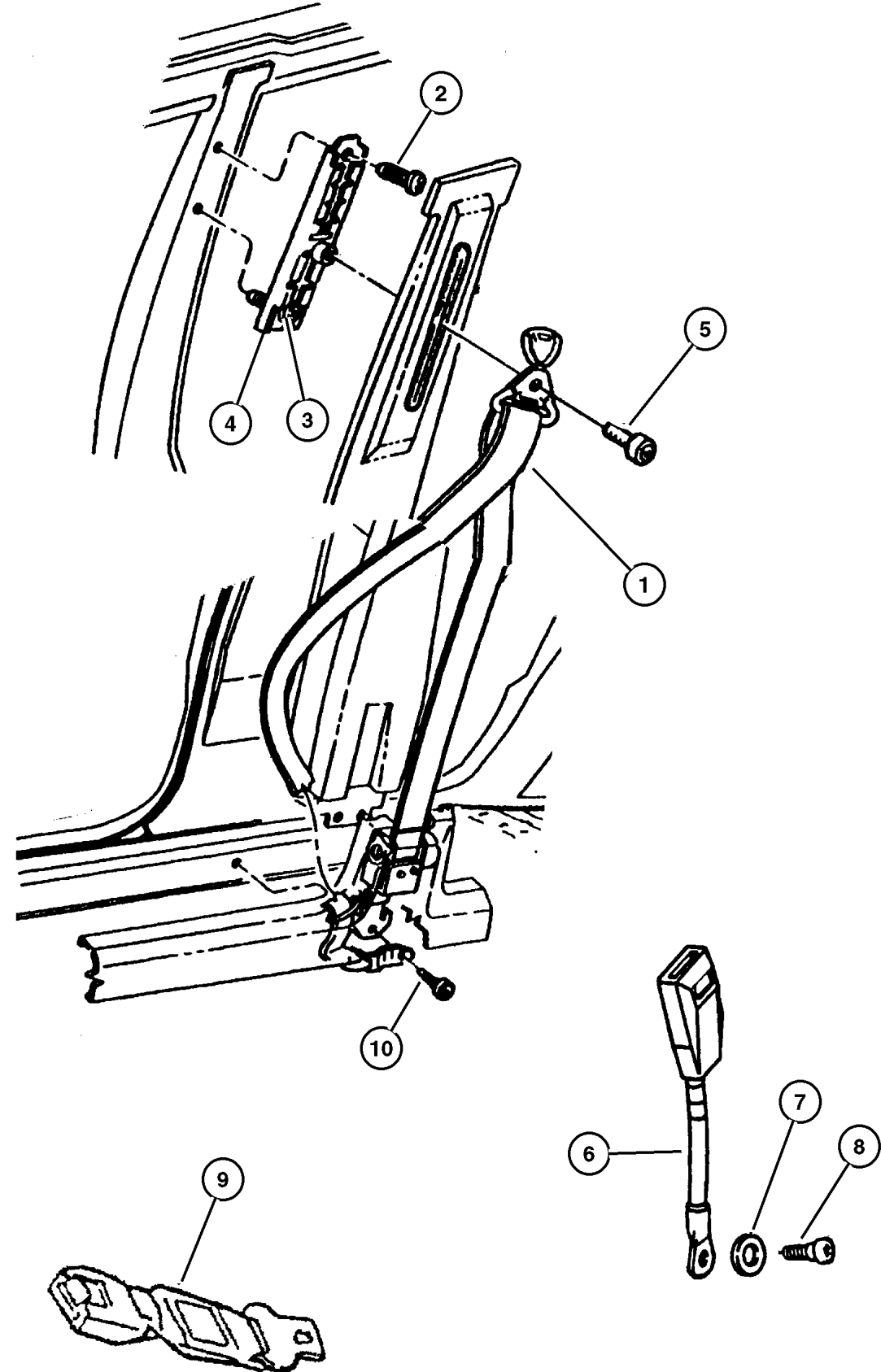
JEEP CHEROKEE (XJ)

SERIES	LINE	BODY	ENGINE	TRANSMISSION
P = Limited	J = LHD (4WD)	74=4 Dr. (101.4 WB)	ENC, EN0 = 2.5L 4 Cyl Turbo	DDD = 5 Speed Manual
S = Limited	U = RHD (4WD)	72=2 Dr. (101.4 WB)	ERH, ER0 = 4.0L Power Tech	DGS = 4 Speed Auto AISIN
H = Sport	T = LHD (2WD)			DG0 = All Automatic Trans
L = SE	B = RHD (2WD)			DBB = All Manual Trans

AR = Use as required - = Non illustrated part # = New this model year

May 2, 2002

Seat Belts, Front Seat 4 Door
Figure IXJ-720



ITEM	PART NUMBER	QTY	LINE	SERIES	BODY	TRIM	DESCRIPTION
	6035 115	1	J, T		74	B6	
		2	J		74	DL	
		2	U		74	DL	
		2	J, T		74	M5	
		2	J, T		74	X5	
		2	U		74	XJ	
		2	J, T		74	XJ	
9	4740 415	1					EXTENDER, Seat Belt
10	6036 294AA	1					BOLT, Shoulder

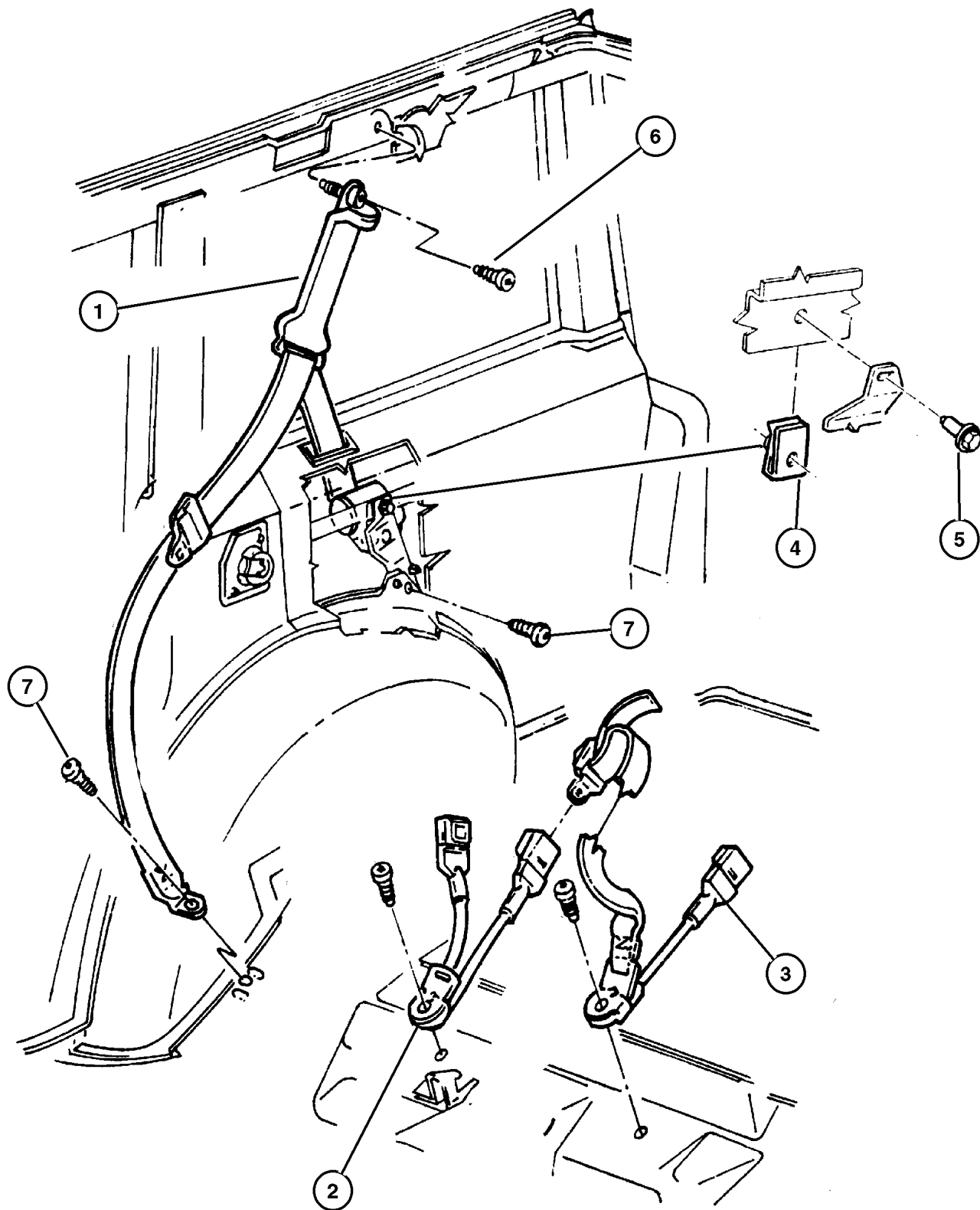
JEEP CHEROKEE (XJ)
 SERIES LINE BODY ENGINE TRANSMISSION
 P = Limited J = LHD (4WD) 74=4 Dr. (101.4 WB) ENC, EN0 = 2.5L 4 Cyl Turbo DDD = 5 Speed Manual
 S = Limited U = RHD (4WD) 72=2 Dr. (101.4 WB) ERH, ER0 = 4.0L Power Tech DGS = 4 Speed Auto AISIN
 H = Sport T = LHD (2WD) DG0 = All Automatic Trans
 L = SE B = RHD (2WD) DBB = All Manual Trans

AR = Use as required - = Non illustrated part # = New this model year

May 2, 2002

Seat Belts, Rear Seats Figure IXJ-730

ITEM	PART NUMBER	QTY	LINE	SERIES	BODY	TRIM	DESCRIPTION
1							SEAT BELT, Outer
	5FG52 1K5AH	1					[K5], Right
	5FG52 LAZAH	1					[AZ], Right
	5FG53 1K5AH	1					[K5], Left
	5FG53 LAZAH	1					[AZ], Left
	#5GG70 1K5AF	1	J, U				[K5], Right,Export
	#5GG70 LAZAF	1	J, U				[AZ], Right,Export
	#5GG71 1K5AF	1	J, U				[K5], Left,Export
	#5GG71 LAZAF	1	J, U				[AZ], Left,Export
2	5FG50 LAZAC	1					SEAT BELT, Two Buckles, Right
3							SEAT BELT, Buckle And Tip
	5FG51 LAZAC	1					Left
	5FT53 LAZAC	1	J, U				Left,Export
4	6504 118	2					U-NUT, M6 x 1.00, M6x1.00
5	3420 1807	2					BOLT, Hex Flange Head, M6x1.00x16
6							SCREW, Pan Head Shoulder, .437-20x1.87, Serviced With Seat Belt , (NOT SERVICED)
7	6036 295AA	2					SCREW, Pan Head
-8	55315 034AA	1					TETHER, Child Seat, CANADA

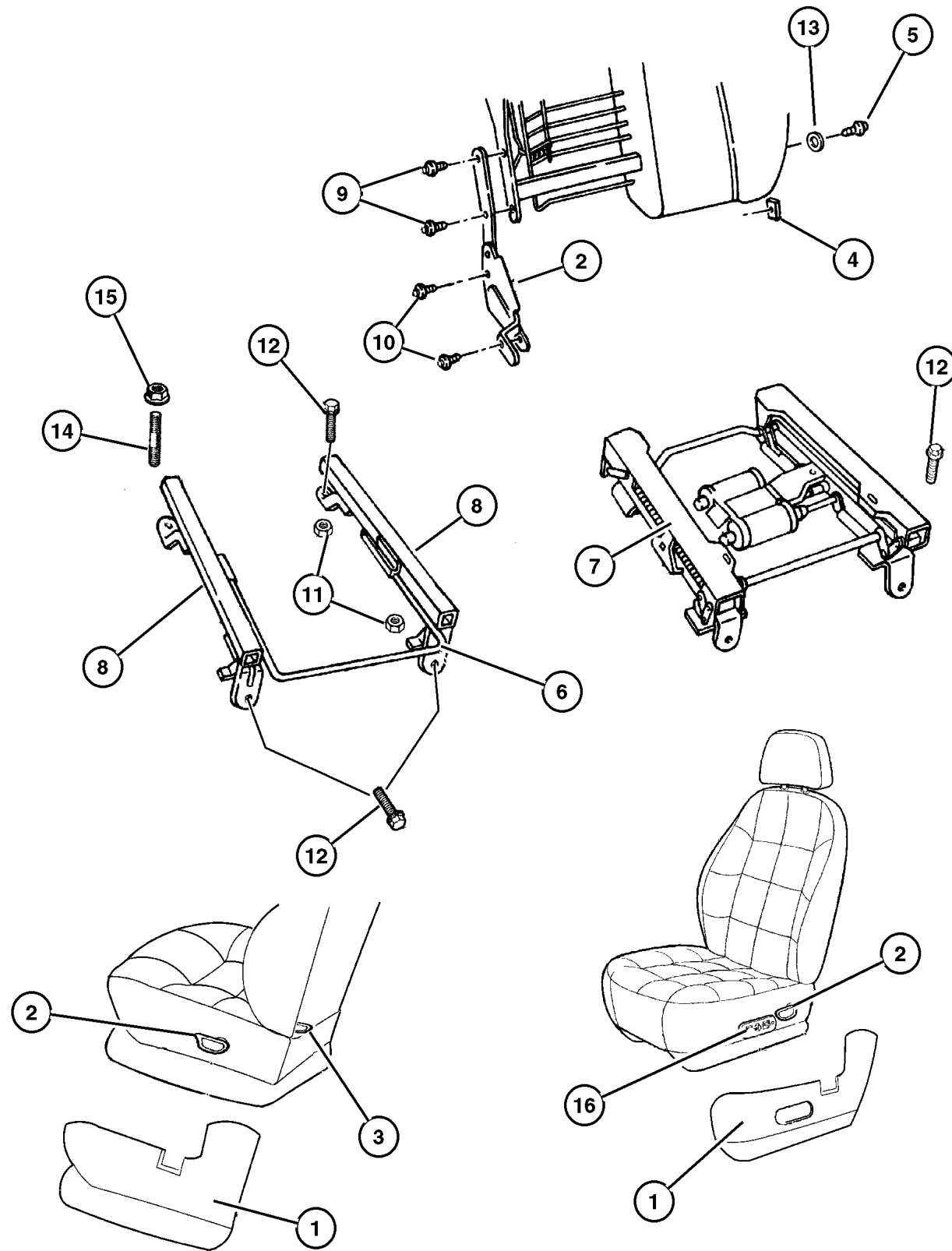


JEEP CHEROKEE (XJ)				
SERIES	LINE	BODY	ENGINE	TRANSMISSION
P = Limited	J = LHD (4WD)	74=4 Dr. (101.4 WB)	ENC, EN0 = 2.5L 4 Cyl Turbo	DDD = 5 Speed Manual
S = Limited	U = RHD (4WD)	72=2 Dr. (101.4 WB)	ERH, ER0 = 4.0L Power Tech	DGS = 4 Speed Auto AISIN
H = Sport	T = LHD (2WD)			DG0 = All Automatic Trans
L = SE	B = RHD (2WD)			DBB = All Manual Trans

AR = Use as required - = Non illustrated part # = New this model year

May 2, 2002

Recliner and Adjuster Figure IXJ-810



ITEM	PART NUMBER	QTY	LINE	SERIES	BODY	TRIM	DESCRIPTION
1							SHIELD, Seat Cushion
	RA72 1AZAA	1	J, T, U		72	B6	[AZ], Right,Manual
	RA72 1K5AA	1	J, T, U		72	B6	[K5], Right,Manual
	RA72 1AZAA	1	J, T		74	B6	[AZ], Right,Manual
	RA72 1K5AA	1	J, T		74	B6	[K5], Right,Manual
	RA73 1AZAA	1	J, T, U		72	B6	[AZ], Left,Manual
	RA73 1K5AA	1	J, T, U		72	B6	[K5], Left,Manual
	RA73 1AZAA	1	J, T		74	B6	[AZ], Left,Manual
	RA73 1K5AA	1	J, T		74	B6	[K5], Left,Manual
	RA70 1AZAA	1	U		74	DL	[AZ], Right,Power
		1	J, T		74	DL	[AZ], Right,Power
	RA70 1K5AA	1	U		74	DL	[K5], Right,Power
		1	J, T		74	DL	[K5], Right,Power
	RA71 1AZAA	1	J, T		74	DL	[AZ], Left,Power
		1	U		74	DL	[AZ], Left,Power
	RA71 1K5AA	1	J, T		74	DL	[K5], Left,Power
		1	U		74	DL	[K5], Left,Power
	RA72 1AZAA	1	J, T		74	DL	[AZ], Right,Manual
	RA72 1K5AA	1	J, T		74	DL	[K5], Right,Manual
	RA71 1AZAA	1	J, T		74	M5	[AZ], Left,Power
	RA71 1K5AA	1	J, T		74	M5	[K5], Left,Power
	RA72 1AZAA	1	J, T		74	M5	[AZ], Right,Manual
		1	J, T		72	M5	[AZ], Right,Manual
	RA72 1K5AA	1	J, T		72	M5	[K5], Right,Manual
		1	J, T		74	M5	[K5], Right,Manual
	RA73 1AZAA	1	J, T		72	M5	[AZ], Left,Manual
		1	J, T		74	M5	[AZ], Left,Manual
	RA73 1K5AA	1	J, T		72	M5	[K5], Left,Manual
		1	J, T		74	M5	[K5], Left,Manual
	RA72 1K5AA	1	J, T		74	X5	[K5], Right,Manual
	RA72 1AZAA	1	J, T		74	X5	[AZ], Right,Manual
	RA73 1K5AA	1	J, T		74	X5	[K5], Left,Manual
	RA73 1AZAA	1	J, T		74	X5	[AZ], Left,Manual
	RA73 1K5AA	1	J, T		74	XJ	[K5], Left,Manual
	RA73 1AZAA	1	U		74	XJ	[AZ], Left,Manual
		1	J, T		74	XJ	[AZ], Left,Manual
	RA72 1K5AA	1	U		74	XJ	[K5], Right,Manual
		1	J, T		74	XJ	[K5], Right,Manual
	RA72 1AZAA	1	J, T		74	XJ	[AZ], Right,Manual
		1	U		74	XJ	[AZ], Right,Manual
	RA71 1K5AA	1	U		74	XJ	[K5], Left,Power
		1	J		72	XJ	[K5], Left,Power

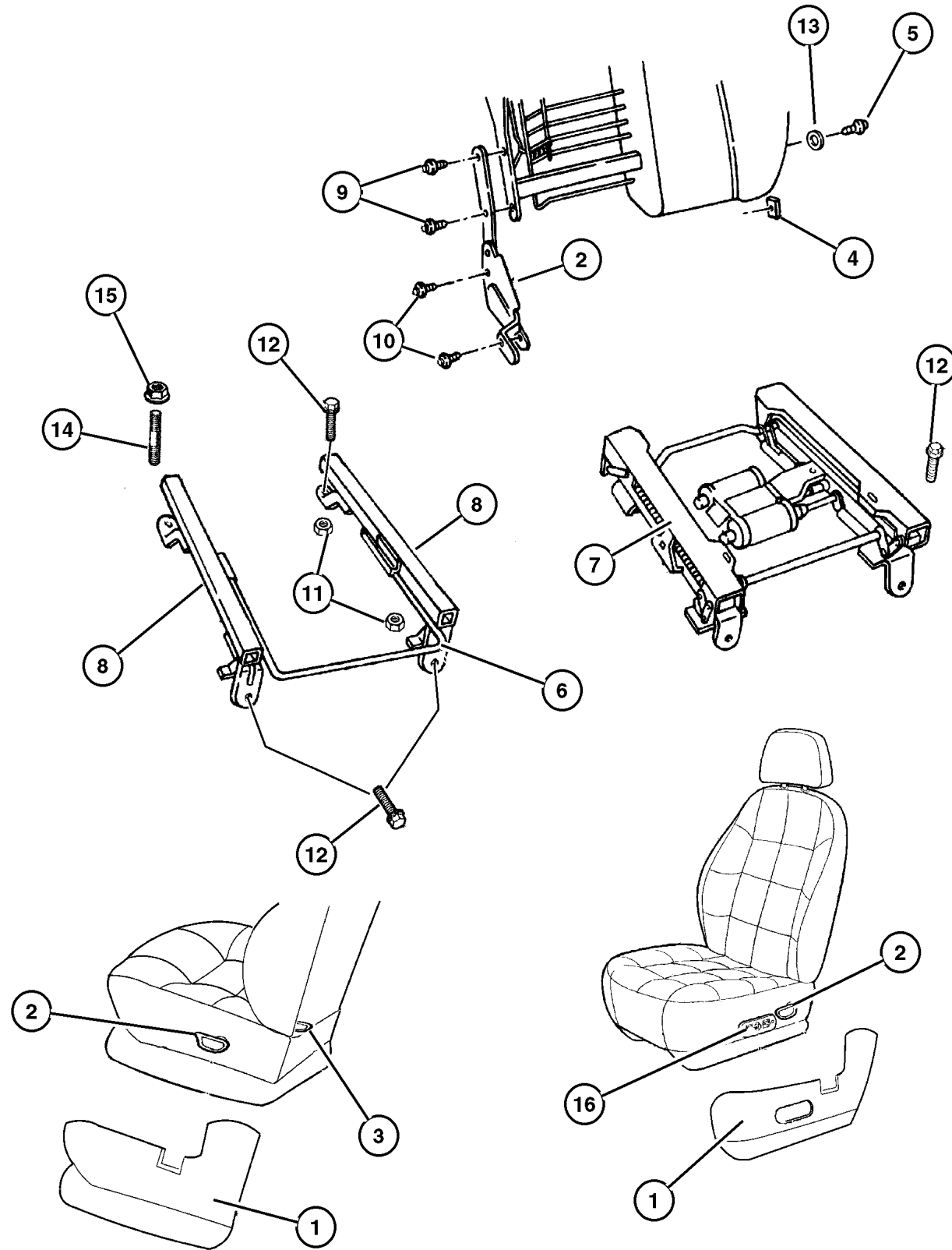
JEEP CHEROKEE (XJ)

SERIES	LINE	BODY	ENGINE	TRANSMISSION
P = Limited	J = LHD (4WD)	74=4 Dr. (101.4 WB)	ENC, EN0 = 2.5L 4 Cyl Turbo	DDD = 5 Speed Manual
S = Limited	U = RHD (4WD)	72=2 Dr. (101.4 WB)	ERH, ER0 = 4.0L Power Tech	DGS = 4 Speed Auto AISIN
H = Sport	T = LHD (2WD)			DG0 = All Automatic Trans
L = SE	B = RHD (2WD)			DBB = All Manual Trans

AR = Use as required - = Non illustrated part # = New this model year

May 2, 2002

Recliner and Adjuster Figure IXJ-810



ITEM	PART NUMBER	QTY	LINE	SERIES	BODY	TRIM	DESCRIPTION
		1	J, T		74	XJ	[K5], Left,Power
	RA71 1AZAA	1	J, T		74	XJ	[AZ], Left,Power
		1	U		74	XJ	[AZ], Left,Power
		1	J		72	XJ	[AZ], Left,Power
	RA70 1K5AA	1	J		74	XJ	[K5], Right,Power
		1	J		72	XJ	[K5], Right,Power
		1	U		74	XJ	[K5], Right,Power
	RA70 1AZAA	1	J		72	XJ	[AZ], Right,Power
		1	U		74	XJ	[AZ], Right,Power
		1	J		74	XJ	[AZ], Right,Power
	RA73 1K5AA	1	U		74	XJ	[K5], Left,Manual
2							RECLINER, Seat Back
	4796 712	1	J, T, U		72	B6	Right
	4796 715	1	J, T		74	B6	Includes Handle, Left
	4796 714	1	J, T		74	B6	Includes Handle, Right
	4796 713	1	J, T, U		72	B6	Left
	4796 714	1	U		74	DL	Includes Handle, Right
		1	J, T		74	DL	Includes Handle, Right
	4796 715	1	J, T		74	DL	Includes Handle, Left
		1	U		74	DL	Includes Handle, Left
	4796 712	1	J, T		72	M5	Right
	4796 713	1	J, T		72	M5	Left
	4796 714	1	J, T		74	M5	Includes Handle, Right
	4796 715	1	J, T		74	M5	Includes Handle, Left
	4796 714	1	J, T		74	X5	Includes Handle, Right
	4796 715	1	J, T		74	X5	Includes Handle, Left
		1	U		74	XJ	Includes Handle, Left
		1	J, T		74	XJ	Includes Handle, Left
	4796 714	1	U		74	XJ	Includes Handle, Right
		1	J, T		74	XJ	Includes Handle, Right
	4796 713	1	J		72	XJ	Left
	4796 712	1	J		72	XJ	Right
3							KNOB, Seat Recliner
	4796 720	1	J, T, U		72	B6	
		1	J, T		72	M5	
		1	J		72	XJ	
4							U-NUT, Seat Back
	4713 982	1	J, T, U		72	B6	
		1	J, T		74	B6	
		1	U		74	DL	
		1	J, T		74	DL	
		1	J, T		72	M5	

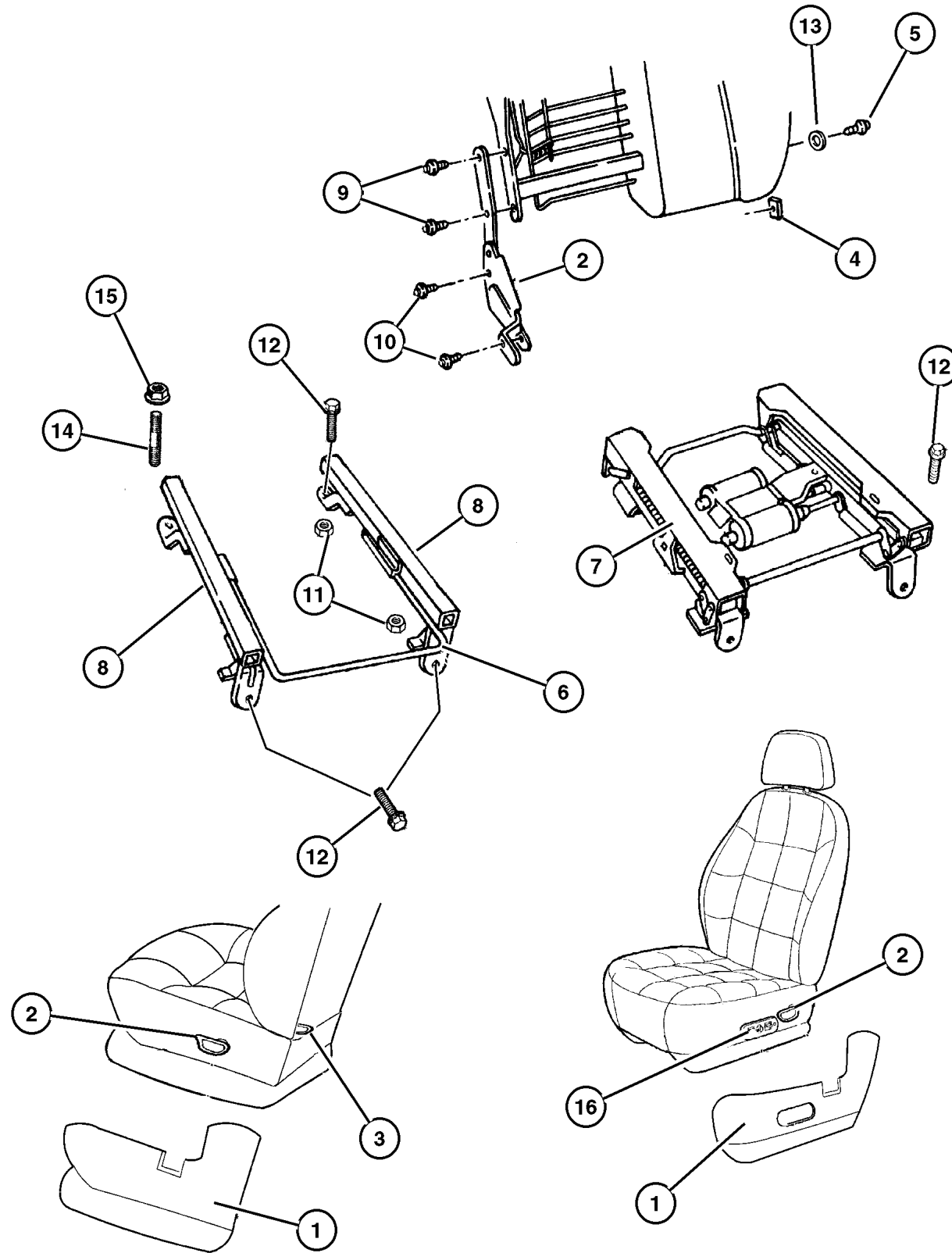
JEEP CHEROKEE (XJ)

SERIES	LINE	BODY	ENGINE	TRANSMISSION
P = Limited	J = LHD (4WD)	74=4 Dr. (101.4 WB)	ENC, EN0 = 2.5L 4 Cyl Turbo	DDD = 5 Speed Manual
S = Limited	U = RHD (4WD)	72=2 Dr. (101.4 WB)	ERH, ER0 = 4.0L Power Tech	DGS = 4 Speed Auto AISIN
H = Sport	T = LHD (2WD)			DG0 = All Automatic Trans
L = SE	B = RHD (2WD)			DBB = All Manual Trans

AR = Use as required - = Non illustrated part # = New this model year

May 2, 2002

Recliner and Adjuster Figure IXJ-810



ITEM	PART NUMBER	QTY	LINE	SERIES	BODY	TRIM	DESCRIPTION
		1	J, T		74	M5	
		1	J, T		74	X5	
		1	J, T		74	XJ	
		1	J		72	XJ	
		1	U		74	XJ	
5							BOLT, Shoulder, I.B.-Back To Cushion-Pivot
	5016 212AA	1	J, T, U		72	B6	
		1	J, T		74	B6	
		1	U		74	DL	
		1	J, T		74	DL	
		2	J, T		72	M5	
		1	J, T		74	M5	
		1	J, T		74	X5	
		1	J		72	XJ	
		1	J, T		74	XJ	
		1	U		74	XJ	
6							HANDLE, Seat Release
	4796 780	1	J, T, U		72	B6	
		1	J, T		74	B6	
		1	J, T		74	DL	
		1	J, T		74	M5	
		1	J, T		72	M5	
		1	J, T		74	X5	
		1	J, T		74	XJ	
		1	U		74	XJ	
7							ADJUSTER, Power Seat, Includes Motor
	4886 375AA	1	J		74	DL	Right,Export
		1	U		74	DL	Right,Export
	4886 376AA	1	J, T		74	DL	Left
		1	U		74	DL	Left
	5013 658AA	1	U		74	DL	With Heated Seats, Right
		1	J, T		74	DL	With Heated Seats, Right
	5013 659AA	1	U		74	DL	With Heated Seats, Left
		1	J, T		74	DL	With Heated Seats, Left
	4886 376AA	1	J, T		74	M5	Left,Power
	4886 375AA	1	J		74	XJ	Right,Export
		1	U		74	XJ	Right,Export
		1	J		72	XJ	Right,Export
	4886 376AA	1	J		72	XJ	Left
		1	U		74	XJ	Left
		1	J, T		74	XJ	Left
8							ADJUSTER, Manual Seat

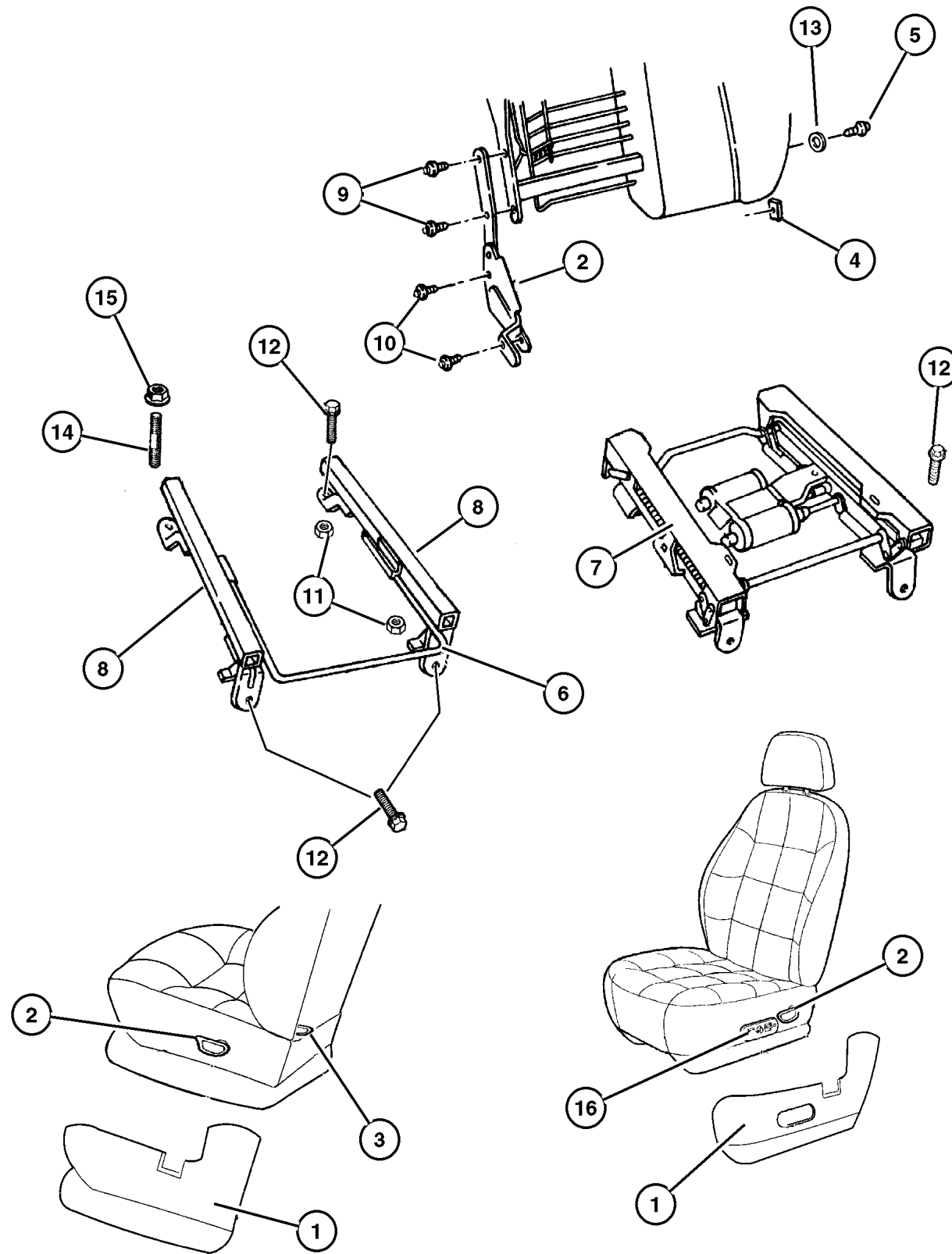
JEEP CHEROKEE (XJ)

SERIES	LINE	BODY	ENGINE	TRANSMISSION
P = Limited	J = LHD (4WD)	74=4 Dr. (101.4 WB)	ENC, EN0 = 2.5L 4 Cyl Turbo	DDD = 5 Speed Manual
S = Limited	U = RHD (4WD)	72=2 Dr. (101.4 WB)	ERH, ER0 = 4.0L Power Tech	DGS = 4 Speed Auto AISIN
H = Sport	T = LHD (2WD)			DG0 = All Automatic Trans
L = SE	B = RHD (2WD)			DBB = All Manual Trans

AR = Use as required - = Non illustrated part # = New this model year

May 2, 2002

Recliner and Adjuster Figure IXJ-810



ITEM	PART NUMBER	QTY	LINE	SERIES	BODY	TRIM	DESCRIPTION
	5014 595AA	1	J, T, U		72	B6	Driver,Outboard
		1	J, T		74	B6	Driver,Outboard
	5014 596AA	1	J, T		74	B6	Passenger,Outboard
		1	J, T, U		72	B6	Passenger,Outboard
	5014 656AA	1	J, T		74	B6	Driver,Inboard
		1	J, T, U		72	B6	Driver,Inboard
	5014 655AA	1	J, T		74	B6	Passenger,Inboard
		1	J, T, U		72	B6	Passenger,Inboard
		1	J, T		74	DL	Passenger,Inboard
	5014 596AA	1	J, T		74	DL	Passenger,Outboard
	5014 595AA	1	J, T		74	M5	Driver,Outboard
		1	J, T		72	M5	Driver,Outboard
	5014 596AA	1	J, T		74	M5	Passenger,Outboard
		1	J, T		72	M5	Passenger,Outboard
	5014 655AA	1	J, T		72	M5	Passenger,Inboard
		1	J, T		74	M5	Passenger,Inboard
	5014 656AA	1	J, T		72	M5	Driver,Inboard
		1	J, T		74	M5	Driver,Inboard
	5014 595AA	1	J, T		74	X5	Driver,Outboard
	5014 656AA	1	J, T		74	X5	Driver,Inboard
	5014 596AA	1	J, T		74	X5	Passenger,Outboard
	5014 655AA	1	J, T		74	X5	Passenger,Inboard
	5014 596AA	1	J, T		74	XJ	Passenger,Outboard
		1	J		74	XJ	Passenger,Outboard
	5014 656AA	1	U		74	XJ	Driver,Inboard
		1	J, T		74	XJ	Driver,Inboard
	5014 655AA	1	U		74	XJ	Passenger,Inboard
		1	J, T		74	XJ	Passenger,Inboard
	5014 595AA	1	J, T		74	XJ	Driver,Outboard
		1	U		74	XJ	Driver,Outboard
9							BOLT, Recliner to Seat Back
	4720 768	1	J, T, U		72	B6	
		1	J, T		74	B6	
		1	U		74	DL	
		1	J, T		74	DL	
		1	J, T		72	M5	
		1	J, T		74	M5	
		1	J, T		74	X5	
		1	J		72	XJ	
		1	J, T		74	XJ	
		1	U		74	XJ	
10							BOLT, Recliner To Cushion, Front Seat

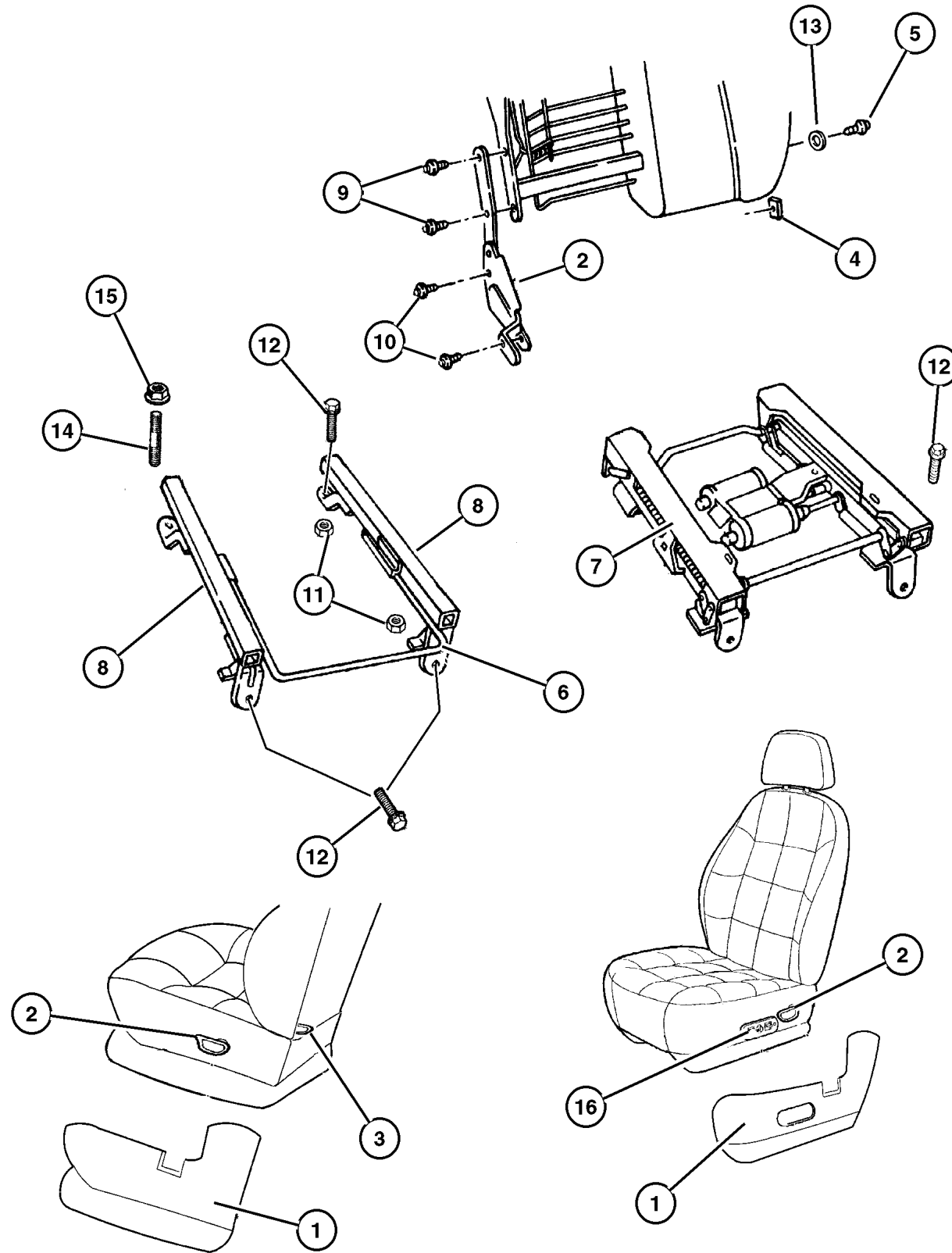
JEEP CHEROKEE (XJ)

SERIES	LINE	BODY	ENGINE	TRANSMISSION
P = Limited	J = LHD (4WD)	74=4 Dr. (101.4 WB)	ENC, EN0 = 2.5L 4 Cyl Turbo	DDD = 5 Speed Manual
S = Limited	U = RHD (4WD)	72=2 Dr. (101.4 WB)	ERH, ER0 = 4.0L Power Tech	DGS = 4 Speed Auto AISIN
H = Sport	T = LHD (2WD)			DG0 = All Automatic Trans
L = SE	B = RHD (2WD)			DBB = All Manual Trans

AR = Use as required - = Non illustrated part # = New this model year

May 2, 2002

Recliner and Adjuster Figure IXJ-810



ITEM	PART NUMBER	QTY	LINE	SERIES	BODY	TRIM	DESCRIPTION
	4796 793	1	J, T, U		72	B6	
		1	J, T		74	B6	
		1	U		74	DL	
		1	J, T		74	DL	
		1	J, T		72	M5	
		1	J, T		74	M5	
		1	J, T		74	X5	
		1	J, T		74	XJ	
		1	U		74	XJ	
11		1	J		72	XJ	NUT, Hex Flange, M8x1.25
	6101 467	1	J, T		74	B6	
		1	J, T, U		72	B6	
		1	J, T		74	DL	
		1	U		74	DL	
		1	J, T		74	M5	
		1	J, T		72	M5	
		1	J, T		74	X5	
		1	J		72	XJ	
		1	U		74	XJ	
		1	J, T		74	XJ	
12	6505 227AA	6					SCREW AND WASHER, Hex Head Tap, M8x1.25x33.00
13							WASHER, (NOT SERVICED)
14							STUD, (NOT SERVICED)
15	0152 477	2					NUT, Hex Flange Lock, .437-20
16							SWITCH, Seat
	4373 666	2	J, T		74	DL	
		2	U		74	DL	
		2	U		74	XJ	
		2	J		74	XJ	

JEEP CHEROKEE (XJ)

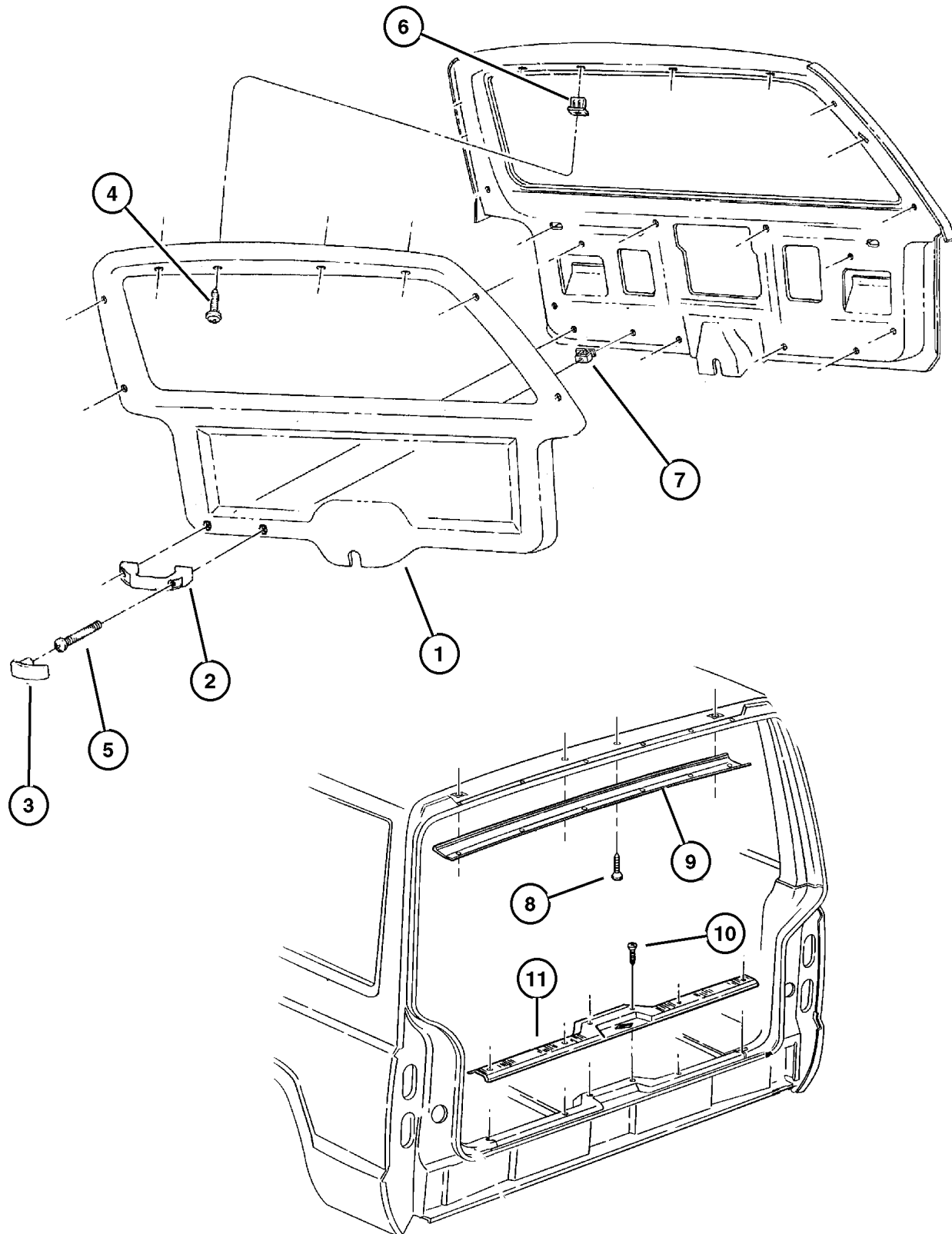
SERIES	LINE	BODY	ENGINE	TRANSMISSION
P = Limited	J = LHD (4WD)	74=4 Dr. (101.4 WB)	ENC, EN0 = 2.5L 4 Cyl Turbo	DDD = 5 Speed Manual
S = Limited	U = RHD (4WD)	72=2 Dr. (101.4 WB)	ERH, ER0 = 4.0L Power Tech	DGS = 4 Speed Auto AISIN
H = Sport	T = LHD (2WD)			DG0 = All Automatic Trans
L = SE	B = RHD (2WD)			DBB = All Manual Trans

AR = Use as required - = Non illustrated part # = New this model year

May 2, 2002

Liftgate Trim Panel Figure IXJ-1010

ITEM	PART NUMBER	QTY	LINE	SERIES	BODY	TRIM	DESCRIPTION
1							PANEL, Liftgate
	5EG06 LAZAB	1					[AZ]
	5EG06 RK5AB	1					[K5]
2							HANDLE, Roof Grab
	5DX76 LAZAC	1					[AZ]
	5DX76 RK5AC	1					[K5]
3							PLUG, Assist and Grab Handle
	H526 TAZ	2					[AZ]
	H526 TK5	2					[K5]
4							SCREW, .164-18x1.00, (NOT SERVICED)
5							SCREW, .250-14x2.375, (NOT SERVICED)
6	6505 141AA	4					NUT, Snap In, M4.2 x 1.41
7	6029 509	2					U-NUT, .250-14
8							SCREW, .164-18x.625, (NOT SERVICED)
9							MOLDING, Liftgate Upper
	5ER43 LAZAD	1					[AZ], Up to 11/15/00
	5ER43 RK5AD	1					[K5], Up to 11/15/00
	#5ER43 LAZAF	1					[AZ], After 11/15/00
	#5ER43 RK5AF	1					[K5], After 11/15/00
10	3420 1468	6					SCREW, Round Washer Head, M4.2x1.41x25.00
11							SILL COVER, Interior
	5EG09 LAZAB	1					[AZ]
	5EG09 RK5AB	1					[K5]
-12	6506 063AA	2					NUT, Snap In, Upper Liftgate Molding Mounting



JEEP CHEROKEE (XJ)

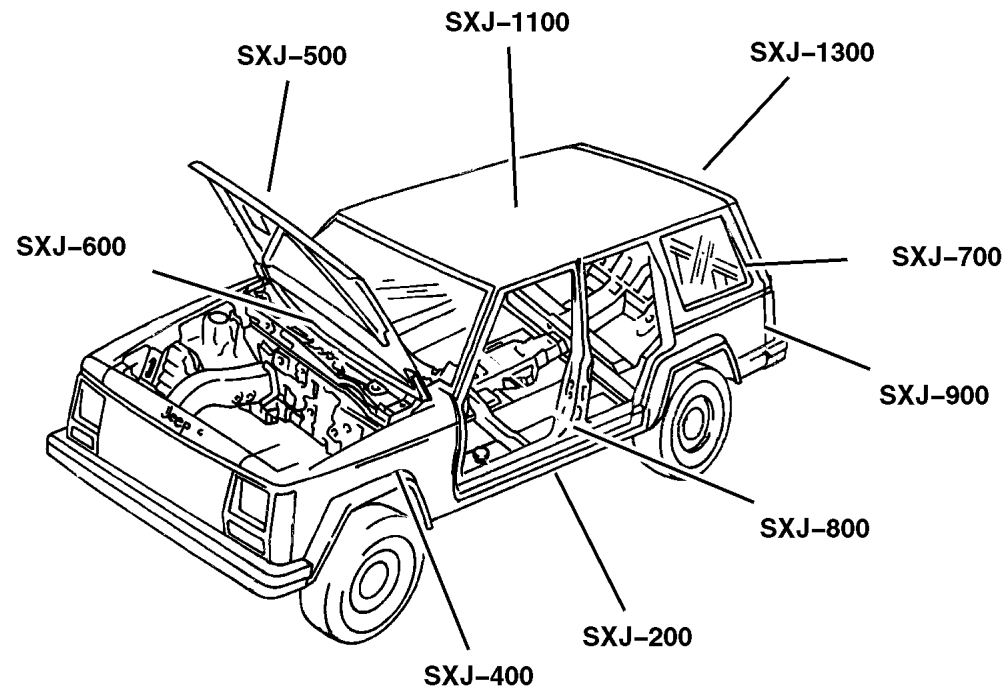
SERIES	LINE	BODY	ENGINE	TRANSMISSION
P = Limited	J = LHD (4WD)	74=4 Dr. (101.4 WB)	ENC, EN0 = 2.5L 4 Cyl Turbo	DDD = 5 Speed Manual
S = Limited	U = RHD (4WD)	72=2 Dr. (101.4 WB)	ERH, ER0 = 4.0L Power Tech	DGS = 4 Speed Auto AISIN
H = Sport	T = LHD (2WD)			DG0 = All Automatic Trans
L = SE	B = RHD (2WD)			DBB = All Manual Trans

AR = Use as required - = Non illustrated part # = New this model year

May 2, 2002

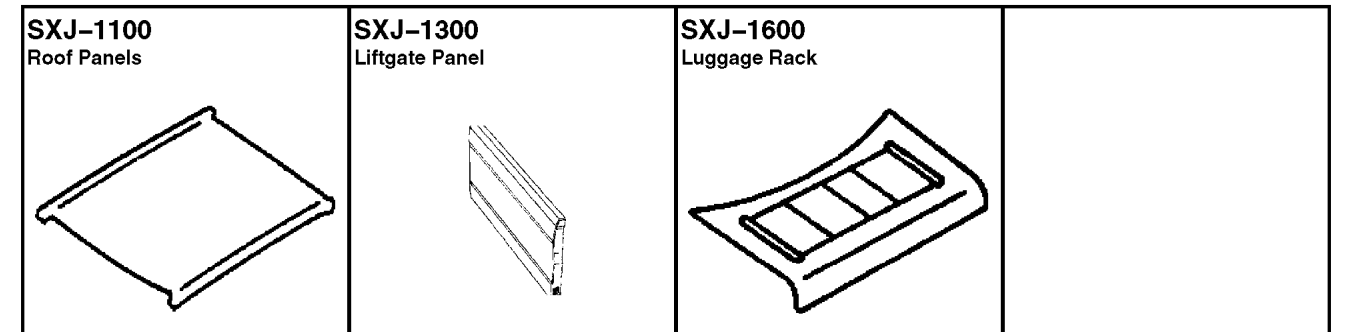
Group – SXJ

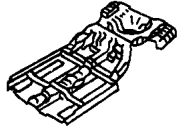

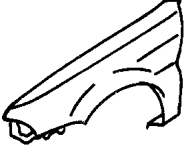
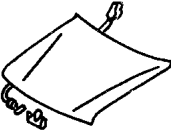
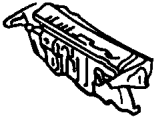

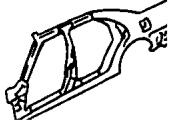
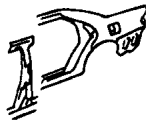
Body Sheet Metal Except Doors



Group – SXJ

Body Sheet Metal Except Doors



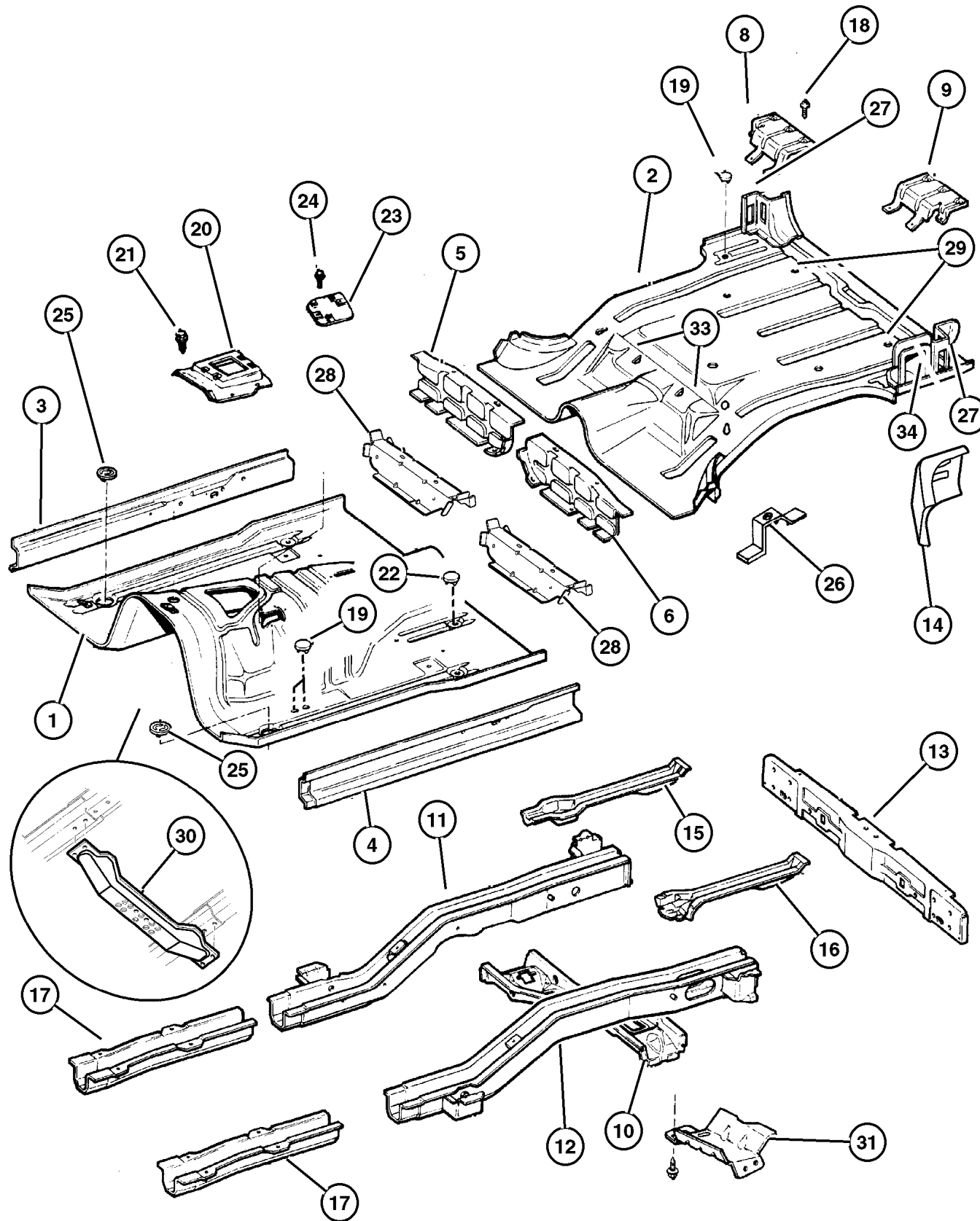
<p>SXJ-200 Floor Pans</p> 	<p>SXJ-300 Plugs</p> 	<p>SXJ-400 Front Fenders</p> 	<p>SXJ-500 Hood & Hood Release</p> 
<p>SXJ-600 Cowl and Dash Panel</p> 	<p>SXJ-700 Glass and Rear View Mirror</p> 	<p>SXJ-800 Aperture Panel</p> 	<p>SXJ-900 Quarter Panel and Pillar</p> 

GROUP SXJ - Body Sheet Metal Except Doors

Illustration Title	Group-Fig. No.
Floor Pans	
Pans, Floor	Fig. SXJ-210
Plates, Underbody Skid	Fig. SXJ-220
Plugs	
Plugs	Fig. SXJ-310
Front Fenders	
Panels, Front End Inner and Wheelhouse	Fig. SXJ-410
Fenders, Front	Fig. SXJ-420
Hood & Hood Release	
Hood, Latch and Hinges	Fig. SXJ-510
Cowl and Dash Panel	
Panels, Cowl And Dash, L.H.D.	Fig. SXJ-610
Cowl And Dash Panel, R.H.D.	Fig. SXJ-620
Glass and Rear View Mirror	
Glass, Windshield, Backlite and Mirror	Fig. SXJ-710
Windows, Quarter, 2 and 4 Doors	Fig. SXJ-720
Aperture Panel	
Panels, Body side, 2 Door	Fig. SXJ-810
Panels, Body Side, 4 Door	Fig. SXJ-820
Quarter Panel and Pillar	
Panels, Rear Quarter, 2 Door	Fig. SXJ-910
Fuel Filler Housing & Door	Fig. SXJ-920
Panels, Rear Quarter, 4 Door	Fig. SXJ-930
Appliques, Rear Quarter Panel	Fig. SXJ-940
Roof Panels	
Roof Panel	Fig. SXJ-1110
Liftgate Panel	
Lift Door, Latch and Hinges	Fig. SXJ-1310
Luggage Rack	
Rack, Roof Luggage	Fig. SXJ-1610



Pans, Floor
Figure SXJ-210



ITEM	PART NUMBER	QTY	LINE	BODY	DESCRIPTION
1	5015 108AC	1			PAN, Front Floor
2	55175 177AD	1			PAN, Floor
3	5517 5088	1			SILL, Body Side, Right
4	5523 5527	1			SILL, Body Side, Left
5	55235 812AB	1			CROSSMEMBER, Floor Pan, Right
6	55235 813AA	1			CROSSMEMBER, Floor Pan, Left
-7	J400 7073	2			SCREW AND WASHER, .375-16x1.125
8	5500 2230	1			SUPPORT, Rear Floor, Right
9	5500 2231	1			SUPPORT, Rear Floor, Left
10	5517 5942	1			CROSSMEMBER, Rear Suspension
11	55235 696AD	1			SILL, Rear, Right
12	55235 697AD	1			SILL, Rear, Left
13	5517 5178	1			SILL, Rear Cross
14	5517 5228	1			REINFORCEMENT, Liftgate Opening
15	5700 0022	1			SUPPORT, Fuel Tank, Right
16	5500 2935	1			SUPPORT, Fuel Tank, Left
17	55235 554AC	2			SILL, Body Side, Center
18	J400 1701	7			SCREW, Hex Self Tapping, .19-16x.50
19	5523 5716	2			PLUG, Floor
20	5300 0704	1			COVER, Gearshift, Automatic Transmission
21	J400 1701	7			SCREW, Hex Self Tapping, .19-16x.50
22	5500 6579	3			PLUG, Body, 38.1mm Diameter
23	5501 0460	1	B, T		COVER, Floor Pan
24					SCREW, M5x0.8x25.00, (NOT SERVICED)
25	4586 052	2			PLUG
26	5500 1903	1			BRACKET, Jack
27					BRACE, Liftgate Opening
	55345 172AB	1			Right
	55345 173AB	1			Left
28					REINFORCEMENT, Front Seat
	55174 756AB	1			Right
	55174 759AB	1			Left
29	55257 380AA	6			PLUG
30					CROSSMEMBER, Transmission
	52002 328AC	1	B, U		2.5L, All Manual
	52058 643AD	1	J, T		2.5L, All Manual
	52058 682AB	1			Turbo, Diesel
	52059 345AA	1			4.0L, Automatic
	52003 929AD	1			4.0L, Manual 5 Speed
31	55003 285AB	1			SHIELD, Heat
-32	55235 831AB	1			REINFORCEMENT, Rear Floor Pan
33					REINFORCEMENT, Seat Belt Anchor
	55235 029AB	1			Left

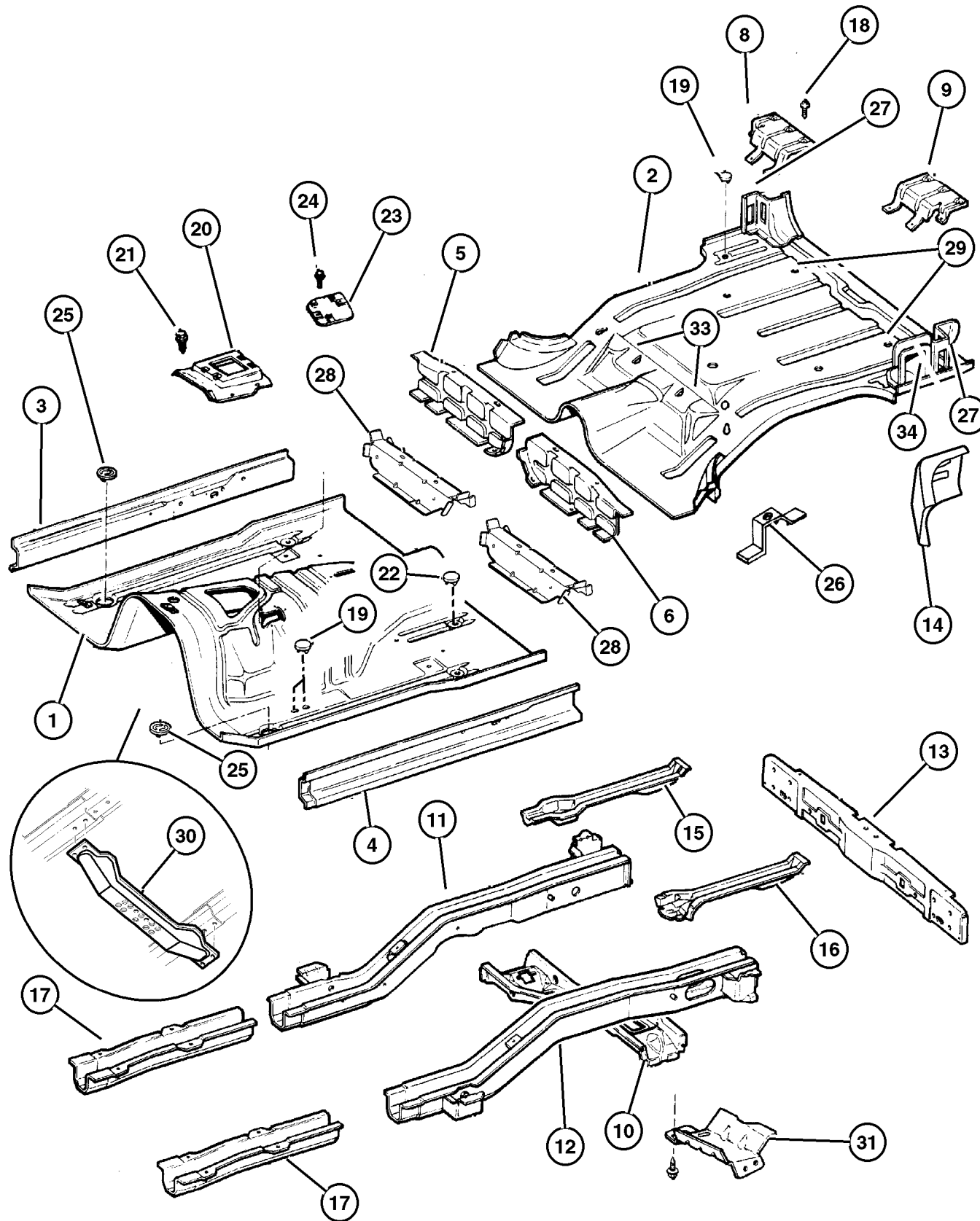
JEEP CHEROKEE (XJ)

SERIES	LINE	BODY	ENGINE	TRANSMISSION
P = Limited	J = LHD (4WD)	74=4 Dr. (101.4 WB)	ENC, EN0 = 2.5L 4 Cyl Turbo	DDD = 5 Speed Manual
S = Limited	U = RHD (4WD)	72=2 Dr. (101.4 WB)	ERH, ER0 = 4.0L Power Tech	DGS = 4 Speed Auto AISIN
H = Sport	T = LHD (2WD)			DG0 = All Automatic Trans
L = SE	B = RHD (2WD)			DBB = All Manual Trans

AR = Use as required - = Non illustrated part # = New this model year

May 2, 2002

Pans, Floor
Figure SXJ-210



ITEM	PART NUMBER	QTY	LINE	BODY	DESCRIPTION
	5523 5028	1			Right
34					EXTENSION, Rear Floor Pan
	5517 5960	1		74	Right
		1	J, T, U	72	Right
	5517 5961	1		74	Left
		1	J, T, U	72	Left

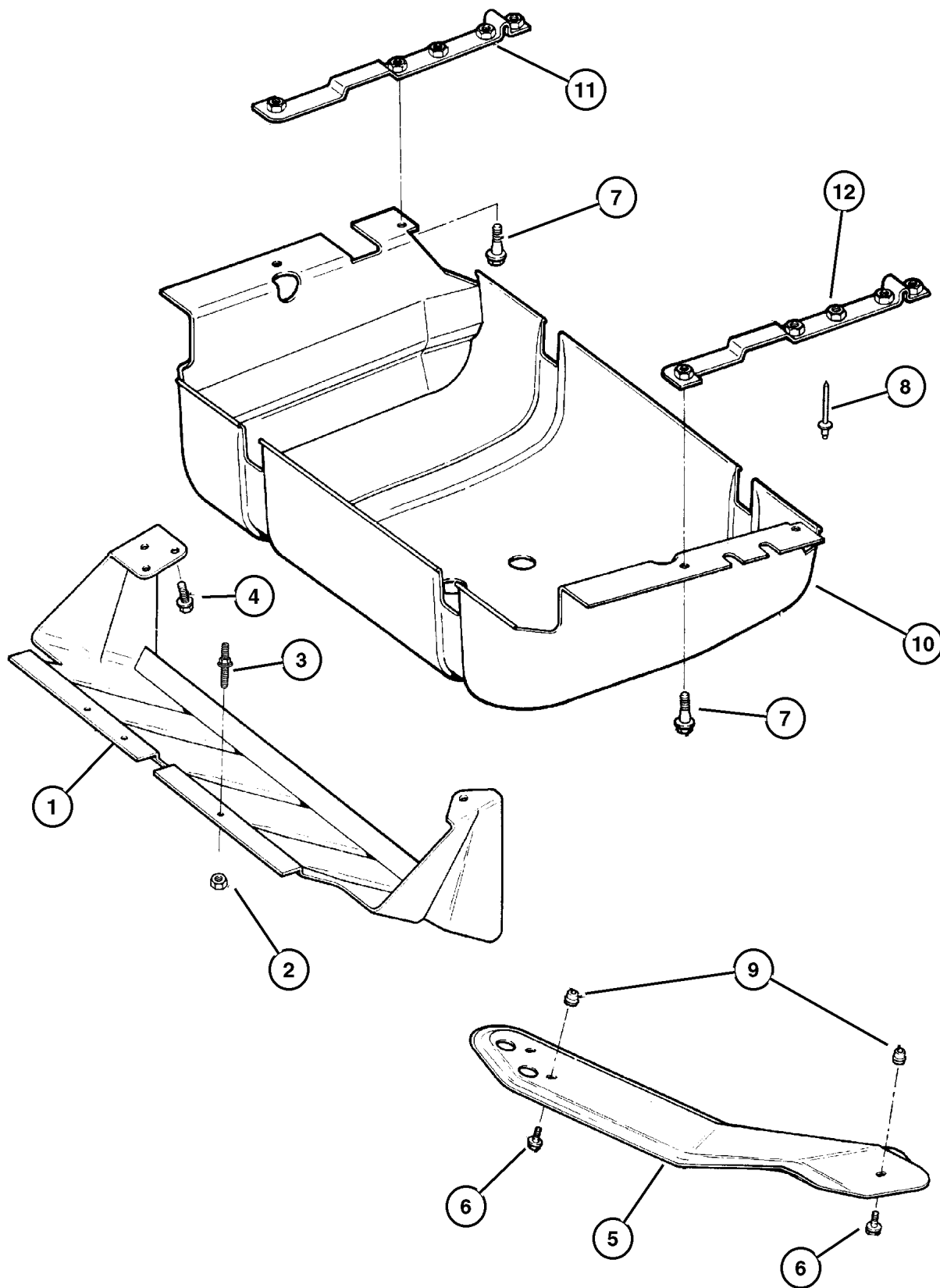
JEEP CHEROKEE (XJ)		BODY	ENGINE	TRANSMISSION
SERIES	LINE	74=4 Dr. (101.4 WB)	ENC, EN0 = 2.5L 4 Cyl Turbo	DDD = 5 Speed Manual
P = Limited	J = LHD (4WD)	72=2 Dr. (101.4 WB)	ERH, ER0 = 4.0L Power Tech	DGS = 4 Speed Auto AISIN
S = Limited	U = RHD (4WD)			DG0 = All Automatic Trans
H = Sport	T = LHD (2WD)			DBB = All Manual Trans
L = SE	B = RHD (2WD)			

AR = Use as required - = Non illustrated part # = New this model year

May 2, 2002

Plates, Underbody Skid
Figure SXJ-220

ITEM	PART NUMBER	QTY	LINE	BODY	DESCRIPTION
1	8220 2851	1			PLATE PACKAGE, Skid - Front
2	J420 0046	3			NUT AND WASHER, Hex Flange, M8x1.25
3	6505 888AA	3			STUD
4	3420 1540	4			BOLT AND WASHER, Implement Attaching
5	8220 5147	1	J	72, 74	PLATE PACKAGE, Skid - Transfer Case
6	1150 2850	4			BOLT, Hex Flange Head, M8x1.25x20
7	3420 1964	4			BOLT, Hex Flange Head, M12x1.75x40
8					RIVET, .250x.475, (NOT SERVICED)
9	3420 1575	2	J, U		NUT, Insert, M8 x 1.25 x 18.29
10	52100 328AA	1			PLATE, Skid
11	5200 1174	1			REINFORCEMENT, Sill, Right
12	5200 1175	1			REINFORCEMENT, Sill, Left



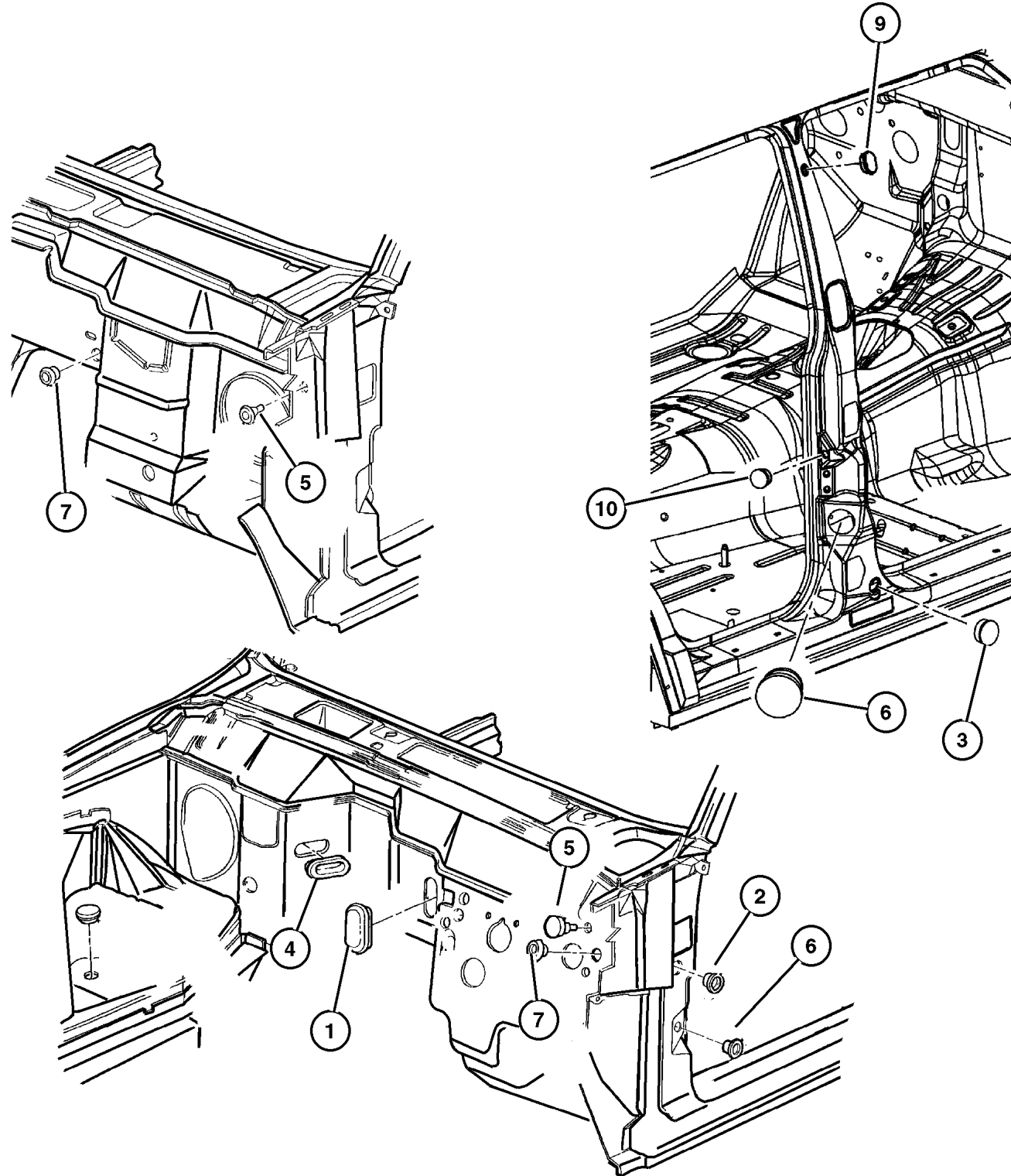
JEEP CHEROKEE (XJ)				
SERIES	LINE	BODY	ENGINE	TRANSMISSION
P = Limited	J = LHD (4WD)	74=4 Dr. (101.4 WB)	ENC, EN0 = 2.5L 4 Cyl Turbo	DDD = 5 Speed Manual
S = Limited	U = RHD (4WD)	72=2 Dr. (101.4 WB)	ERH, ER0 = 4.0L Power Tech	DGS = 4 Speed Auto AISIN
H = Sport	T = LHD (2WD)			DG0 = All Automatic Trans
L = SE	B = RHD (2WD)			DBB = All Manual Trans

AR = Use as required - = Non illustrated part # = New this model year

May 2, 2002

Plugs Figure SXJ-310

ITEM	PART NUMBER	QTY	LINE	BODY	DESCRIPTION
1	3420 2215	1	B, J, U		PLUG, Dash Panel
2	J400 0377	2			PLUG, Floor Pan, 1.00 Diameter
3	J400 0377	2			PLUG, Floor Pan, 1.00 Diameter
4	6502 246	1			PLUG, Body, 4.0mm X 76.4mm
5					PLUG, (NOT SERVICED)
6	5500 2367	2			PLUG, Door Wiring Conduit
7	6034 362	1			PLUG, Body, 31.9mm Diameter
-8	4586 055	2			PLUG, Floor Pan
9	1774 076	2		74	PLUG
10	4373 728	2			PLUG

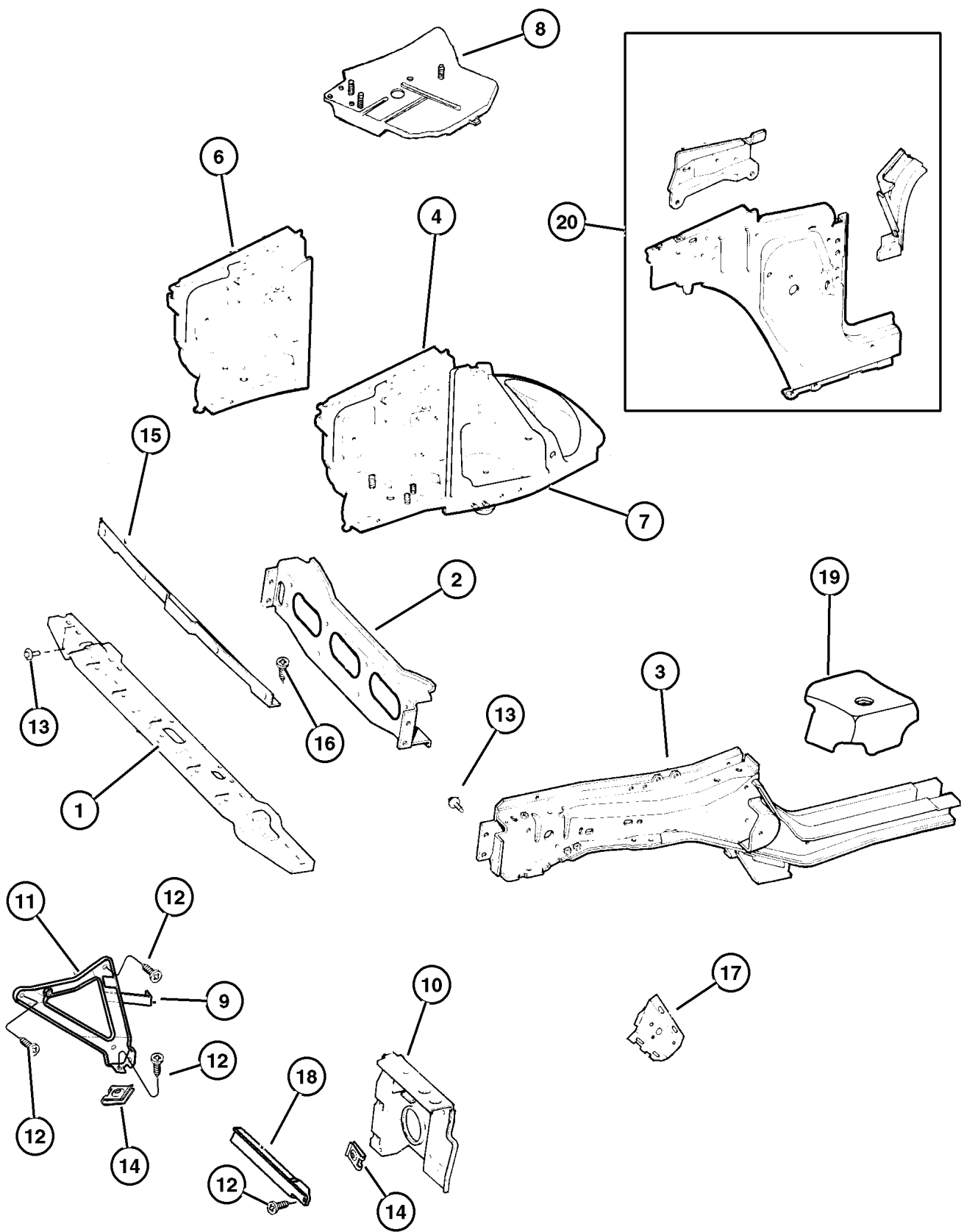


JEEP CHEROKEE (XJ)				
SERIES	LINE	BODY	ENGINE	TRANSMISSION
P = Limited	J = LHD (4WD)	74=4 Dr. (101.4 WB)	ENC, EN0 = 2.5L 4 Cyl Turbo	DDD = 5 Speed Manual
S = Limited	U = RHD (4WD)	72=2 Dr. (101.4 WB)	ERH, ER0 = 4.0L Power Tech	DGS = 4 Speed Auto AISIN
H = Sport	T = LHD (2WD)			DG0 = All Automatic Trans
L = SE	B = RHD (2WD)			DBB = All Manual Trans

AR = Use as required - = Non illustrated part # = New this model year

May 2, 2002

Panels, Front End Inner and Wheelhouse
Figure SXJ-410



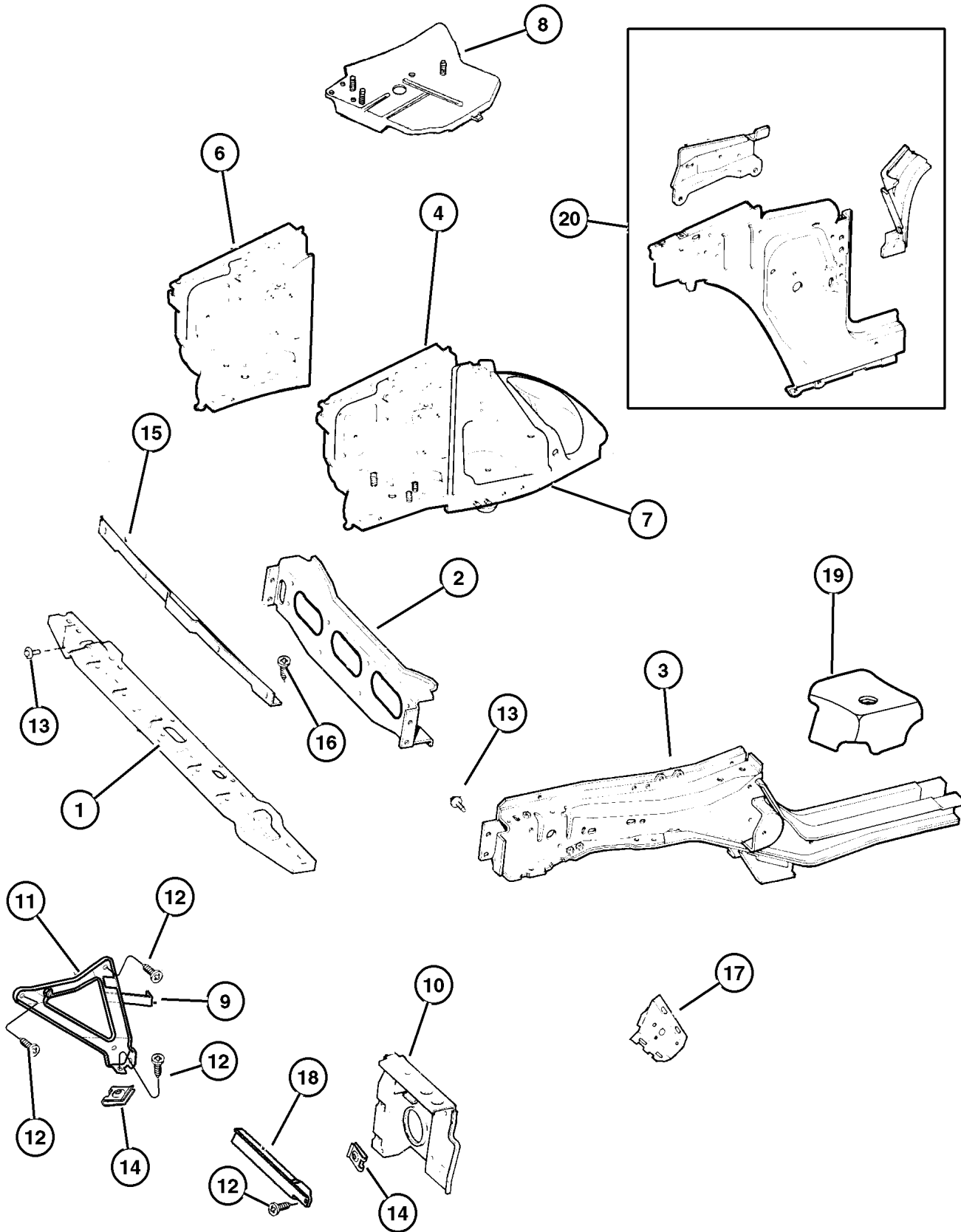
ITEM	PART NUMBER	QTY	LINE	BODY	DESCRIPTION
1	55235 830AA	1			CROSSMEMBER, Radiator
2	5517 4978	1			CROSSMEMBER, Front Suspension
3					PANEL, Sill
	4798 084AC	1	J, T		Right
	4798 085AC	1	J, T		Left
	4897 136AC	1	B, U		Right
	4897 137AC	1	B, U		Left
4					WHEELHOUSE, Front Inner
	5517 5636	1	B, U		Right
	5517 5637	1	B, U		Left
	55175 640AB	1	J, T		Right
	55235 517AB	1	J, T		Left
-5	9428 962	3	B, U		SCREW, Internal Weld Stud, .250x20x.625
6					PANEL, Front Wheelhouse
	55235 956AB	1			Right
	55235 625AC	1			Left
7					SUPPORT, Shock Absorber
	5517 4992	1			Right
	5517 4993	1			Left
	5517 5003	1			Includes 55174993 & 6503267 Screw, Left
8					REINFORCEMENT, Battery Tray
	5501 5210	1			Diesel,Left Side
	5523 5293	1			REINFORCEMENT, Sill
9	5501 9221	2			BAFFLE, Radiator
10					REINFORCEMENT, Sill
	55235 220AF	1			Right
	55235 221AF	1			Left
11					REINFORCEMENT, Sill
	55013 176AB	1			Right
	55013 177AB	1			Left
12	3420 2575	2			SCREW AND WASHER, Hex Head
13					SCREW AND CONED WASHER, Hex Head, M6x1.00x16.00
	3420 1808	2	B, T		
		2	J, U		
14	6504 118	3			U-NUT, M6 x 1.00, M6x1.00
15	55010 074AC	1			BRACKET, Grille
16	6503 259	4			SCREW, Tapping, M6x1x20
17					REINFORCEMENT, Sill
	5500 6948	1			Right
	5500 6949	1			Left
18					REINFORCEMENT, Radiator Baffle, Serviced With BAFFLE, Radiator, (NOT SERVICED)
19					REINFORCEMENT, Spring and Shock

JEEP CHEROKEE (XJ)

SERIES	LINE	BODY	ENGINE	TRANSMISSION
P = Limited	J = LHD (4WD)	74=4 Dr. (101.4 WB)	ENC, EN0 = 2.5L 4 Cyl Turbo	DDD = 5 Speed Manual
S = Limited	U = RHD (4WD)	72=2 Dr. (101.4 WB)	ERH, ER0 = 4.0L Power Tech	DGS = 4 Speed Auto AISIN
H = Sport	T = LHD (2WD)			DG0 = All Automatic Trans
L = SE	B = RHD (2WD)			DBB = All Manual Trans

AR = Use as required - = Non illustrated part # = New this model year

Panels, Front End Inner and Wheelhouse
Figure SXJ-410



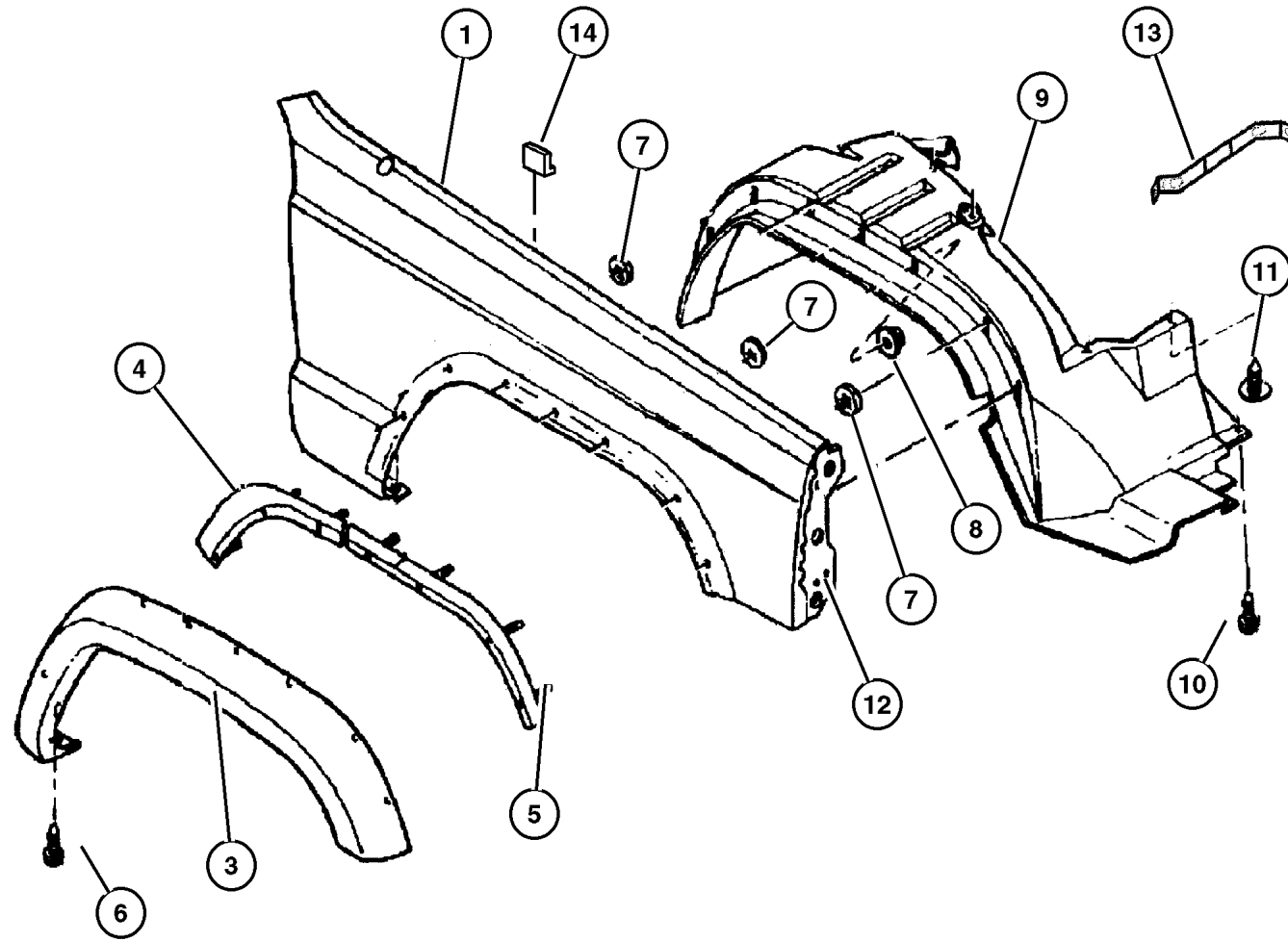
ITEM	PART NUMBER	QTY	LINE	BODY	DESCRIPTION
	5534 6022	1			Right
	5534 6023	1			Left
20					REINFORCEMENT, Pillar And Cowl
	55175 194AB	1			Right
	55175 195AB	1			Left

JEEP CHEROKEE (XJ)				
SERIES	LINE	BODY	ENGINE	TRANSMISSION
P = Limited	J = LHD (4WD)	74=4 Dr. (101.4 WB)	ENC, EN0 = 2.5L 4 Cyl Turbo	DDD = 5 Speed Manual
S = Limited	U = RHD (4WD)	72=2 Dr. (101.4 WB)	ERH, ER0 = 4.0L Power Tech	DGS = 4 Speed Auto AISIN
H = Sport	T = LHD (2WD)			DG0 = All Automatic Trans
L = SE	B = RHD (2WD)			DBB = All Manual Trans

AR = Use as required - = Non illustrated part # = New this model year

May 2, 2002

Fenders, Front Figure SXJ-420



ITEM	PART NUMBER	QTY	LINE	BODY	DESCRIPTION
[ARU]= [SE] Decor Shocks----Check VIN Number for The Type of 'Z' Code Springs are on The Truck					
1					FENDER, Front
	56022 320AA	1			Right
	56022 321AA	1	J, U		Left
	56022 322AA	1	J, U		Right,Export
	56022 323AA	1	J, U		Left,Export
-2	1150 3745	2			NUT, Hex, M6x1
3					APPLIQUE, Fender Wheel Opening
	5FW70 DX8AD	1	J, T, U	74	[K3X], Right
		1	J, T, U		[K3X], Right
	5FW70 PR4AD	1	J, T, U		[K3R], Right
		1	J, T, U	74	[K3R], Right
	5FW70 SG8AD	1	J, T, U	74	[K3G], Right
		1	J, T, U		[K3G], Right
	5FW70 SW1AD	1	J, T, U	74	[K3N], Right
		1	J, T, U		[K3N], Right
	5FW70 VYHAD	1	J, T, U		[K3Y], Right
	5FW70 WBTAD	1	J, T, U		[K3B], Right
		1	J, T, U	74	[K3B], Right
	5FW70 WU7AD	1	J, T, U		[K3U], Right
		1	J, T, U	74	[K3U], Right
	5FW70 XBQAD	1	J, T, U	74	[K3Q], Right
		1	J, T, U		[K3Q], Right
	5FW70 XS5AD	1	J, T, U		[K3L], Right
		1	J, T, U	74	[K3L], Right
	5FW70 XV3AD	1	J, T, U		[K3V], Right
	5FW71 DX8AD	1	J, T, U		[K3X], Left
		1	J, T, U	74	[K3X], Left
	5FW71 PR4AD	1	J, T, U	74	[K3R], Left
		1	J, T, U		[K3R], Left
	5FW71 SG8AD	1	J, T, U	74	[K3G], Left
		1	J, T, U		[K3G], Left
	5FW71 SW1AD	1	J, T, U		[K3N], Left
		1	J, T, U	74	[K3N], Left
	5FW71 VYHAD	1	J, T, U		[K3Y], Left
	5FW71 WBTAD	1	J, T, U		[K3B], Left
		1	J, T, U	74	[K3B], Left
	5FW71 WU7AD	1	J, T, U	74	[K3U], Left
		1	J, T, U		[K3U], Left
	5FW71 XBQAD	1	J, T, U	74	[K3Q], Left
		1	J, T, U		[K3Q], Left
	5FW71 XS5AD	1	J, T, U	74	[K3L], Left

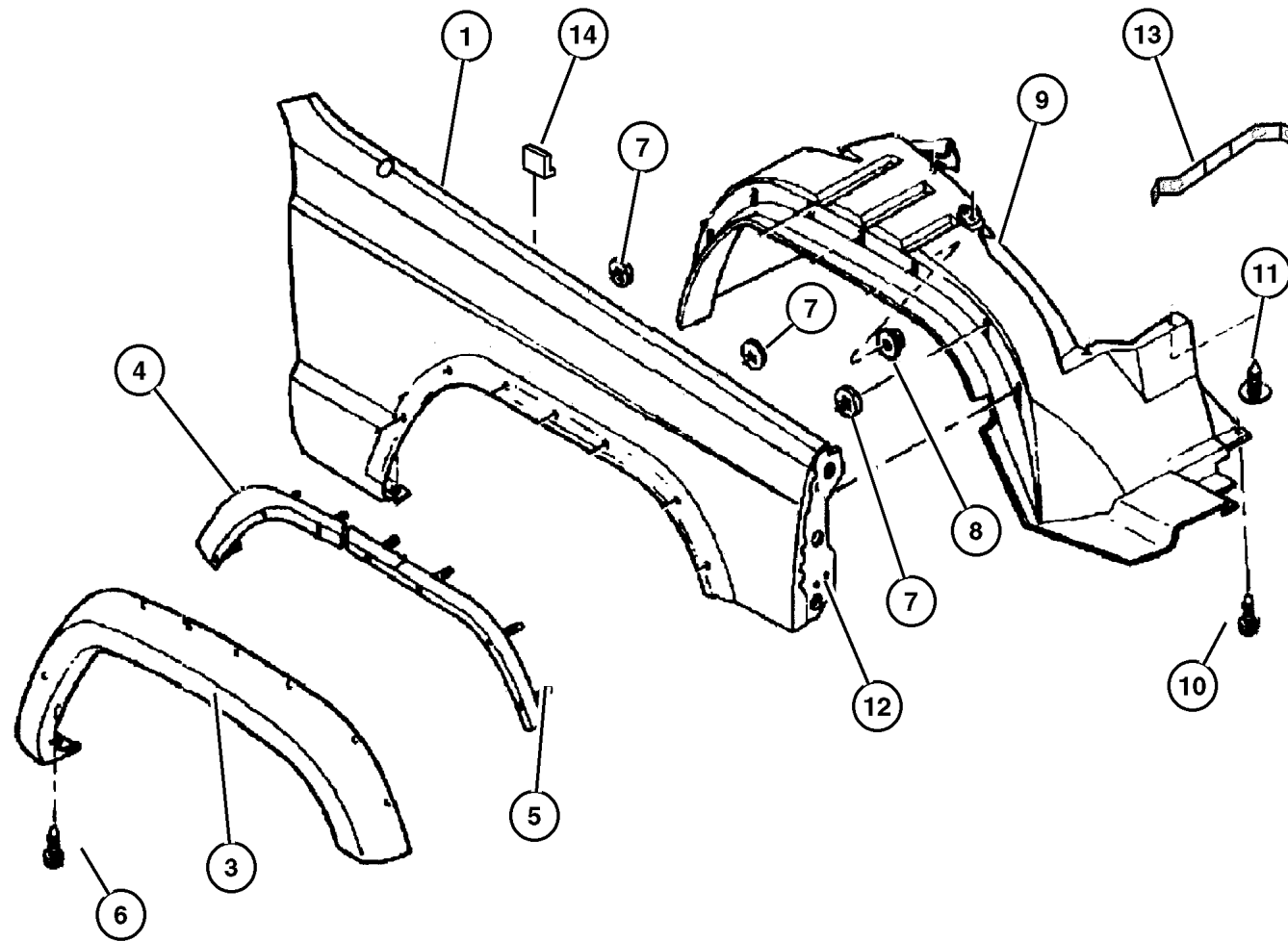
JEEP CHEROKEE (XJ)

SERIES	LINE	BODY	ENGINE	TRANSMISSION
P = Limited	J = LHD (4WD)	74=4 Dr. (101.4 WB)	ENC, EN0 = 2.5L 4 Cyl Turbo	DDD = 5 Speed Manual
S = Limited	U = RHD (4WD)	72=2 Dr. (101.4 WB)	ERH, ER0 = 4.0L Power Tech	DGS = 4 Speed Auto AISIN
H = Sport	T = LHD (2WD)			DG0 = All Automatic Trans
L = SE	B = RHD (2WD)			DBB = All Manual Trans

AR = Use as required - = Non illustrated part # = New this model year

May 2, 2002

Fenders, Front Figure SXJ-420



ITEM	PART NUMBER	QTY	LINE	BODY	DESCRIPTION
		1	J, T, U		[K3L], Left
	5FW71 XV3AD	1	J, T, U		[K3V], Left
	5FW72 DX9AD	1			[K3Z], Right
	5FW73 DX9AD	1			[K3Z], Left
4					RETAINER, Applique
	55155 674AC	1			Right
	55155 675AC	1			Left
5					RETAINER, Applique
	55155 676AF	1			Right
	55155 677AF	1			Left
6	6035 322	2			SCREW
7	6505 049AA	6			NUT, M5
8	J420 0408	14			NUT AND WASHER, Hex Nut-Coned Washer, M5 x 0.80
9					WHEELHOUSE, Front Inner
	55175 896AD	1			Right
	55175 897AD	1			Left
10	3420 2575	2			SCREW AND WASHER, Hex Head
11	6030 441	14			PIN, Retainer
12					BRACKET, Fender, Extension to Baffle
	55175 586AB	1			Right
		1	J, U		Right
	55175 587AB	1			Left
		1	J, U		Left
13	5500 3652	2			BRACKET, Fender, Wheelhouse To Support Spring Shock
14	J368 9548	2			BUMPER, Hood, Hood Front Fender Side

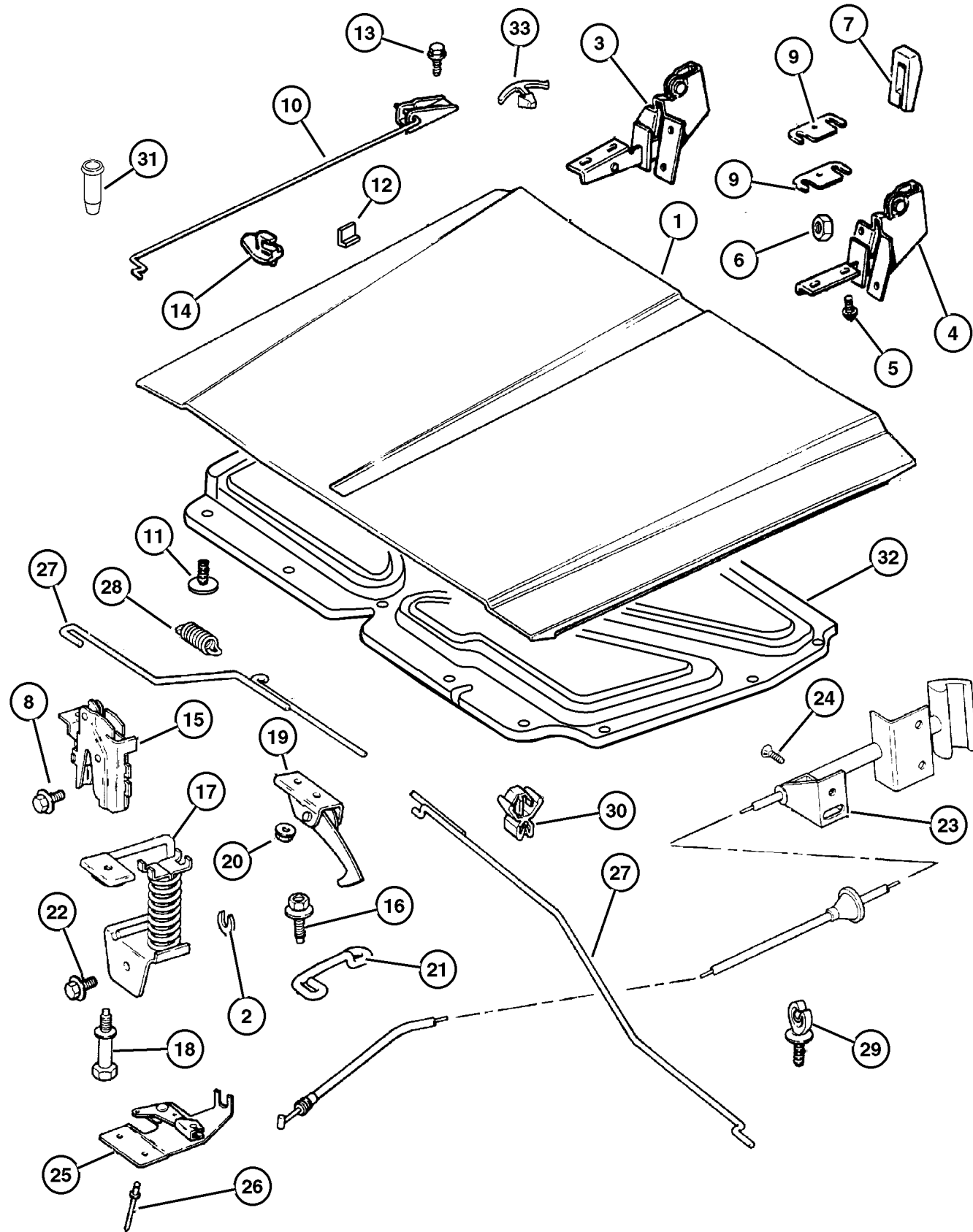
JEEP CHEROKEE (XJ)

SERIES	LINE	BODY	ENGINE	TRANSMISSION
P = Limited	J = LHD (4WD)	74=4 Dr. (101.4 WB)	ENC, EN0 = 2.5L 4 Cyl Turbo	DDD = 5 Speed Manual
S = Limited	U = RHD (4WD)	72=2 Dr. (101.4 WB)	ERH, ER0 = 4.0L Power Tech	DGS = 4 Speed Auto AISIN
H = Sport	T = LHD (2WD)			DG0 = All Automatic Trans
L = SE	B = RHD (2WD)			DBB = All Manual Trans

AR = Use as required - = Non illustrated part # = New this model year

May 2, 2002

Hood, Latch and Hinges Figure SXJ-510



ITEM	PART NUMBER	QTY	LINE	BODY	DESCRIPTION
1	55235 439AC	1			HOOD
2	3420 2581	AR			SPACER, Hood Latch
3	55235 724AB	1			HINGE, Hood, Right
4	55235 725AB	1			HINGE, Hood, Left
5	6100 576	4			SCREW AND WASHER, Hex Head, M8-1.25x30
6	6100 048	6			NUT, Hex, M6x1.00
7	5500 1982	2			SEAL, Hood Hinge
8	3420 2005	2			SCREW, Pan Head Torx, M6x1x14
9	J068 0435	AR			SHIM, Hood Hinge
10	5501 7480	1			ROD, Hood Prop
11	4103 165	1			BUMPER, Hood, Crossmember to Hood Adjust
12	J368 9548	2			BUMPER, Hood, Hood Front Fender Side
13	3420 1807	2			BOLT, Hex Flange Head, M6x1.00x16
14	5507 5480	1			CLIP, Prop Rod
15	55235 523AC	2			LATCH, Hood
16	6504 641	2			SCREW AND WASHER, Button Head Torx
17	5507 5884	2			STRIKER, Hood Latch
18	6503 963	2			BOLT AND CONED WASHER, Hex Head, M8x1.25x58.28
19	55009 998AE	1			HOOK, Hood Safety Catch
20	3420 1680	2			NUT, Hex Flange, M6x1
21	55009 999AB	1			STRIKER, Hood Safety Catch
22	6504 641	2			SCREW AND WASHER, Button Head Torx
23					CABLE, Hood Release
	55235 270AD	1	B, U		
	55235 483AD	1	J, T		
24	6504 997AA	3	J, T		SCREW
25	55074 526AC	1			BELLCRANK, Hood Release
26	3420 1208	2			RIVET, M4.8x13.23
27	5507 5442	1			ROD, Hood Latch
28	5502 9718	1			SPRING, Hood Latch
29					CLIP, Tube
	3200 0404	3	B, U		
		2	J, T		
30	3420 2688	2			CLIP, Latch&Line
31	6505 175AA	2			NUT, Rivet
32	55217 068AE	1			INSULATION, Hood
33	6003 351	12			RETAINER, Hood Insulation, .415x.690

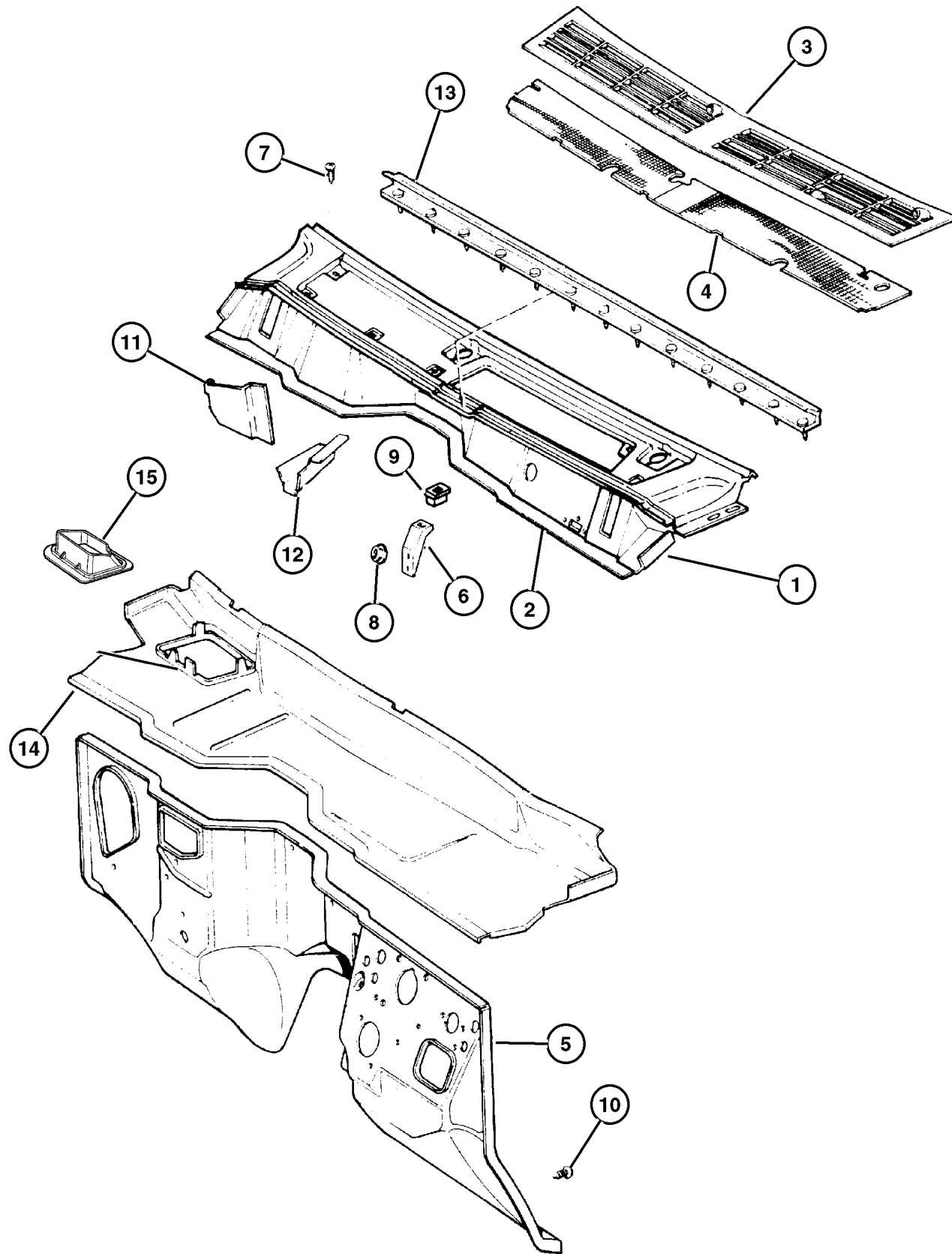
JEEP CHEROKEE (XJ)

SERIES	LINE	BODY	ENGINE	TRANSMISSION
P = Limited	J = LHD (4WD)	74=4 Dr. (101.4 WB)	ENC, EN0 = 2.5L 4 Cyl Turbo	DDD = 5 Speed Manual
S = Limited	U = RHD (4WD)	72=2 Dr. (101.4 WB)	ERH, ER0 = 4.0L Power Tech	DGS = 4 Speed Auto AISIN
H = Sport	T = LHD (2WD)			DG0 = All Automatic Trans
L = SE	B = RHD (2WD)			DBB = All Manual Trans

AR = Use as required - = Non illustrated part # = New this model year

May 2, 2002

**Panels, Cowl And Dash, L.H.D.
Figure SXJ-610**



ITEM	PART NUMBER	QTY	LINE	BODY	DESCRIPTION
1	55175 386AD	1	J, T		PANEL, Cowl
2	55175 638AB	1	J, T		EXTENSION, Cowl Top
3	55008 832AD	1	J, T		GRILLE, Cowl Panel
4	55008 833AB	1	J, T		SCREEN, Cowl
5	55175 378AD	1	J, T		PANEL, Dash
6	55235 370AB	1	J, T		BRACKET, Grille To Cowl Extension
7	0154 628	8	J, T		SCREW, Tapping, .164-18x.625
8	3420 1358	2			NUT AND WASHER, Hex Nut-Sealing Washer, M6 x 1.00
9	6505 366AA	1			NUT, Snap In
10					RIVET, Blind Expansion (R-Lok), (NOT SERVICED)
11	5500 6544	1	J, T		SHIELD, Plenum
12	55004 918AB	1	J, T		SHIELD, Cowl
13	55235 178AB	1			SEAL, Hood To Cowl
14	55175 964AB	1	J, T		PANEL, Cowl And Plenum
15	55037 128AB	1	J, T		BAFFLE, Air Inlet

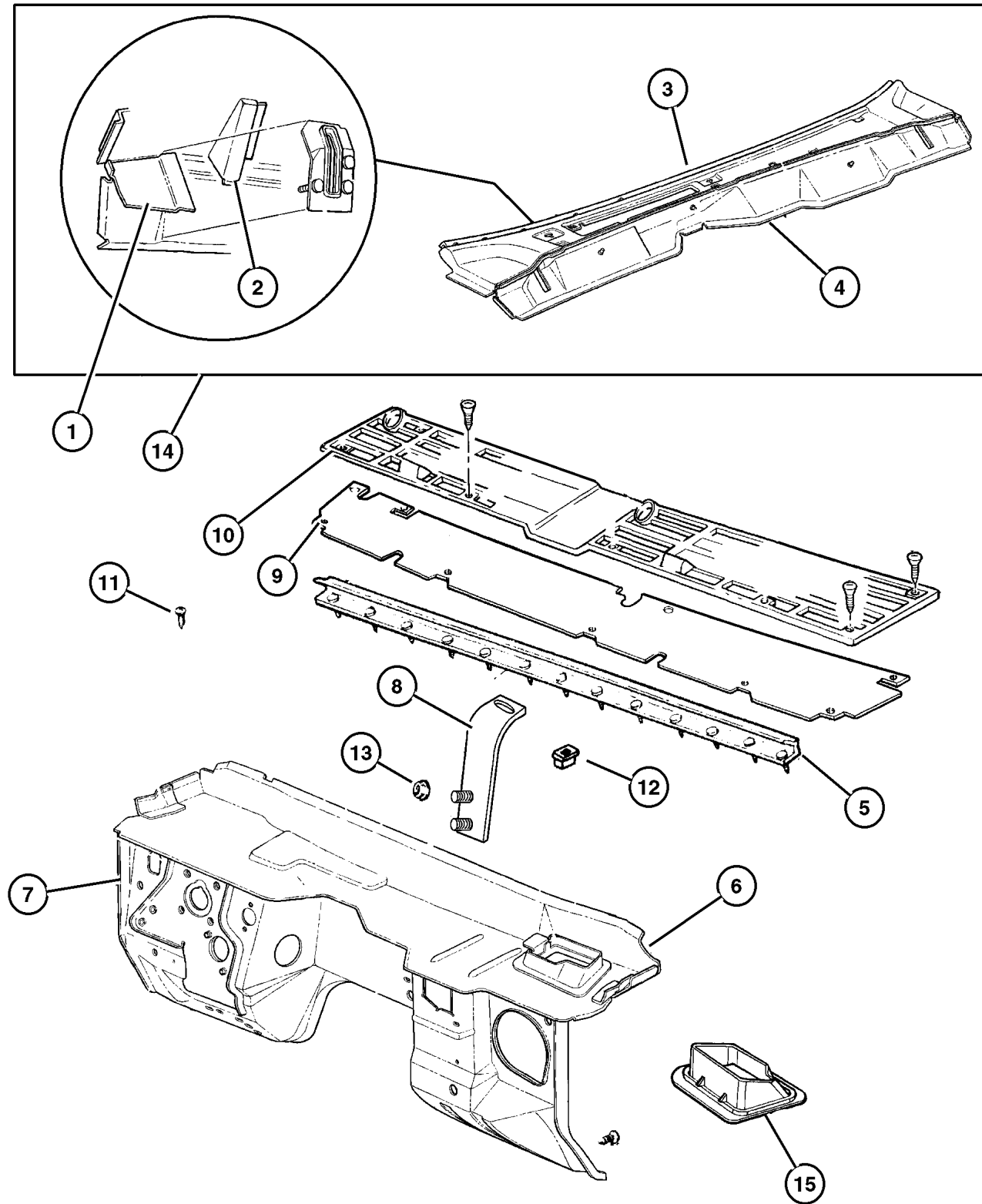
JEEP CHEROKEE (XJ)

SERIES	LINE	BODY	ENGINE	TRANSMISSION
P = Limited	J = LHD (4WD)	74=4 Dr. (101.4 WB)	ENC, EN0 = 2.5L 4 Cyl Turbo	DDD = 5 Speed Manual
S = Limited	U = RHD (4WD)	72=2 Dr. (101.4 WB)	ERH, ER0 = 4.0L Power Tech	DGS = 4 Speed Auto AISIN
H = Sport	T = LHD (2WD)			DG0 = All Automatic Trans
L = SE	B = RHD (2WD)			DBB = All Manual Trans

AR = Use as required - = Non illustrated part # = New this model year

May 2, 2002

**Cowl And Dash Panel, R.H.D.
Figure SXJ-620**



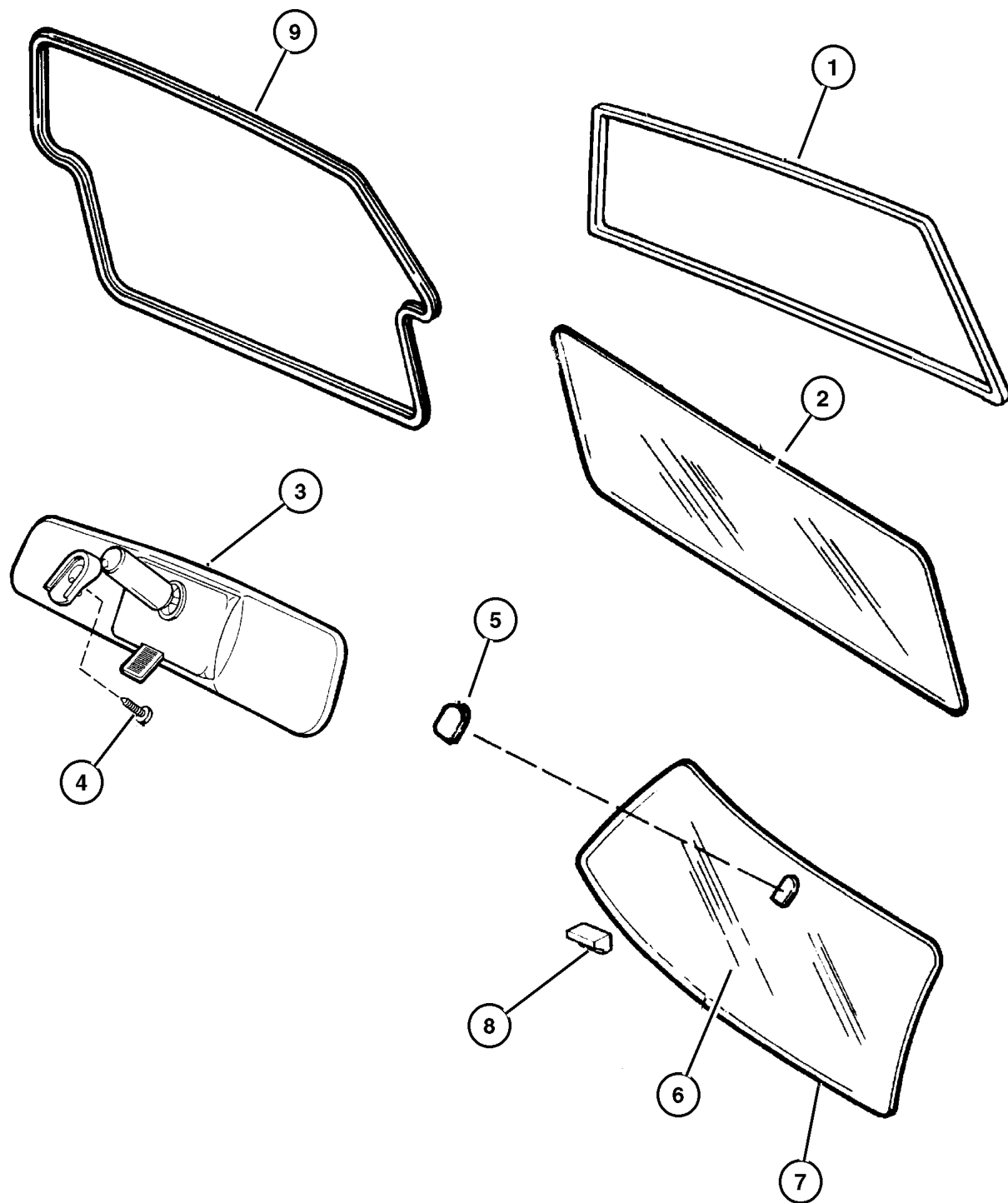
ITEM	PART NUMBER	QTY	LINE	BODY	DESCRIPTION
1	5502 7542	1	B, U		SHIELD, Plenum
2	55027 543AB	1	B, U		SHIELD, Cowl
3	55175 387AD	1	B, U		PANEL, Cowl, Includes Item #4
4	55175 639AB	1	B, U		EXTENSION, Cowl Top
5	55235 178AB	1			SEAL, Hood To Cowl
6	55175 965AB	1	B, U		PANEL, Cowl And Plenum
7	55175 379AD	1	B, U		PANEL, Dash
8	55235 371AB	1	B, U		BRACKET, Extension to Cowl Top
9	5502 7697	1	B, U		SCREEN, Cowl
10	5502 7696	1	B, U		GRILLE, Cowl Panel
11	0154 628	7	B, U		SCREW, Tapping, .164-18x.625
12	6505 366AA	1			NUT, Snap In
13	3420 1358	2			NUT AND WASHER, Hex Nut-Sealing Washer, M6 x 1.00
14	55175 387AD	1	B, U		PANEL, Cowl
15	55037 127AB	1	B, U		BAFFLE, Air Inlet

JEEP CHEROKEE (XJ)				
SERIES	LINE	BODY	ENGINE	TRANSMISSION
P = Limited	J = LHD (4WD)	74=4 Dr. (101.4 WB)	ENC, EN0 = 2.5L 4 Cyl Turbo	DDD = 5 Speed Manual
S = Limited	U = RHD (4WD)	72=2 Dr. (101.4 WB)	ERH, ER0 = 4.0L Power Tech	DGS = 4 Speed Auto AISIN
H = Sport	T = LHD (2WD)			DG0 = All Automatic Trans
L = SE	B = RHD (2WD)			DBB = All Manual Trans

AR = Use as required - = Non illustrated part # = New this model year

May 2, 2002

**Glass, Windshield, Backlite and Mirror
Figure SXJ-710**



ITEM	PART NUMBER	QTY	LINE	BODY	DESCRIPTION
1	55175 366AD	1			MOLDING, Liftgate
2					BACKLITE
	55174 951AB	1			Tint Heated
	55174 952AC	1			Privacy Heated
3	55077 318AA	1			MIRROR, Inside Rear View
4					SCREW, Pan Head Tapping, .19-16x.375, Serviced With Mirror , (NOT SERVICED)
5	5507 6401	1			BUTTON, Rear View Mirror
6	55154 994AB	1			WINDSHIELD
7	55235 391AC	1			MOLDING, Windshield
8	55235 796AA	2			SPACER, Windshield
9	55175 354AE	1			WEATHERSEAL, Full Door To Body

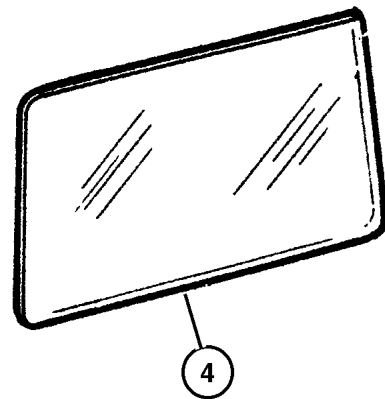
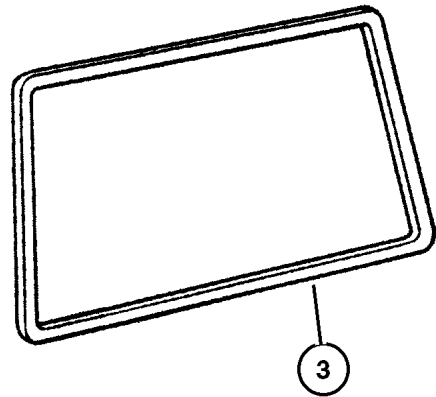
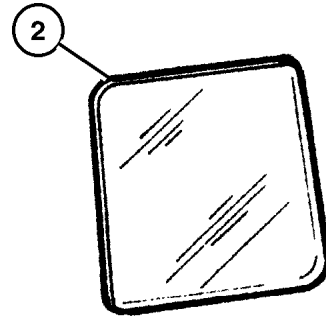
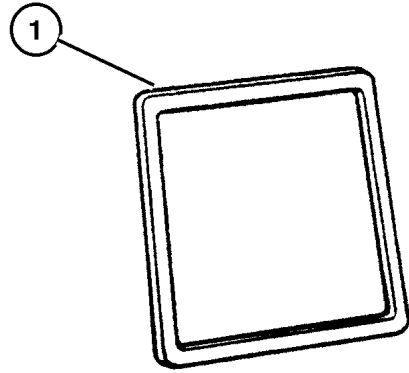
JEEP CHEROKEE (XJ)				
SERIES	LINE	BODY	ENGINE	TRANSMISSION
P = Limited	J = LHD (4WD)	74=4 Dr. (101.4 WB)	ENC, EN0 = 2.5L 4 Cyl Turbo	DDD = 5 Speed Manual
S = Limited	U = RHD (4WD)	72=2 Dr. (101.4 WB)	ERH, ER0 = 4.0L Power Tech	DGS = 4 Speed Auto AISIN
H = Sport	T = LHD (2WD)			DG0 = All Automatic Trans
L = SE	B = RHD (2WD)			DBB = All Manual Trans

AR = Use as required - = Non illustrated part # = New this model year

May 2, 2002

**Windows, Quarter, 2 and 4 Doors
Figure SXJ-720**

ITEM	PART NUMBER	QTY	LINE	BODY	DESCRIPTION
1					SEAL, Quarter Window
	5500 7128	1		74	Right
	5500 7129	1		74	Left
2					GLASS, Quarter Window
	5500 0700	1		74	Tinted, Right
	5500 0701	1		74	Tinted, Left
	55174 998AB	1		74	Privacy, Right
	55174 999AB	1		74	Privacy, Left
3					SEAL, Quarter Window
	55235 296AB	1	J, T, U	72	Right
	55235 297AB	1	J, T, U	72	Left
4					GLASS, Quarter Window
	5500 0186	1	J, T, U	72	Without Vents, Right
	5500 0187	1	J, T, U	72	Without Vents, Left
	55235 990AA	1	J, T, U	72	Privacy, Right
	55235 991AA	1	J, T, U	72	Privacy, Left



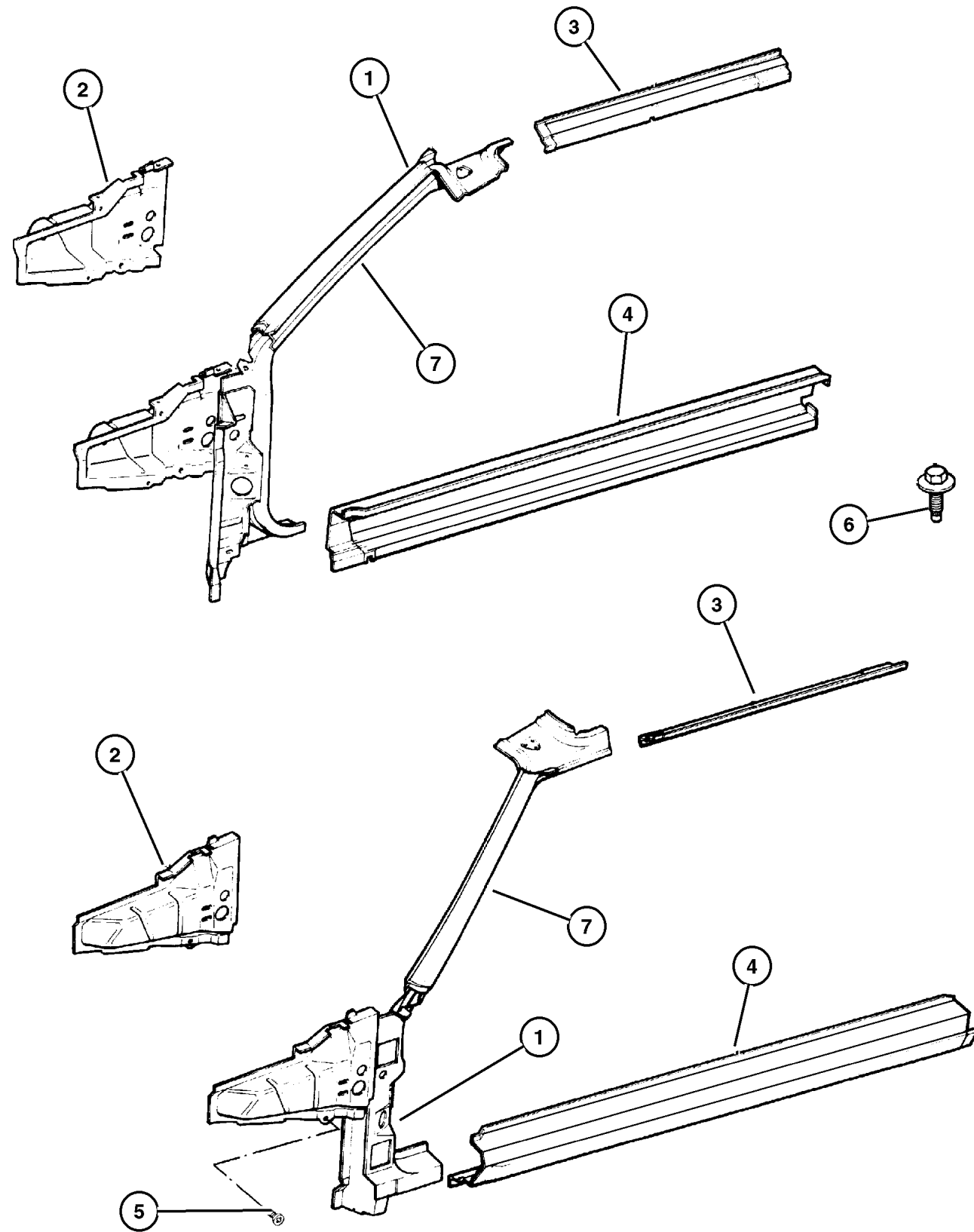
JEEP CHEROKEE (XJ)

SERIES	LINE	BODY	ENGINE	TRANSMISSION
P = Limited	J = LHD (4WD)	74=4 Dr. (101.4 WB)	ENC, EN0 = 2.5L 4 Cyl Turbo	DDD = 5 Speed Manual
S = Limited	U = RHD (4WD)	72=2 Dr. (101.4 WB)	ERH, ER0 = 4.0L Power Tech	DGS = 4 Speed Auto AISIN
H = Sport	T = LHD (2WD)			DG0 = All Automatic Trans
L = SE	B = RHD (2WD)			DBB = All Manual Trans

AR = Use as required - = Non illustrated part # = New this model year

May 2, 2002

**Panels, Body side, 2 Door
Figure SXJ-810**



ITEM	PART NUMBER	QTY	LINE	BODY	DESCRIPTION
1	55235 621AD	1	J, T, U	72	PILLAR, Front Left
	55235 620AD	1	J, T, U	72	Right
2	55175 506AC	1	J, T, U	72	PANEL, Cowl Side Right
	55175 507AC	1	J, T, U	72	Left
3	5534 5844	1	J, T, U	72	RAIL, Roof Side Right
	5534 5845	1	J, T, U	72	Left
4	5523 5088	1	J, T, U	72	PANEL, Rocker Extension Right
	5523 5089	1	J, T, U	72	Left
5					RIVET, Blind Expansion (R-Lok), (NOT SERVICED)
6	6101 455	2			SCREW AND WASHER, Hex Head, M6x1x20
7	55235 640AB	1	J, T, U	72	REINFORCEMENT, Front Pillar Right
	55235 641AB	1	J, T, U	72	Left
-8	55363 274AA	1			LABEL, Mercury Warning, B Pillar Below The Striker

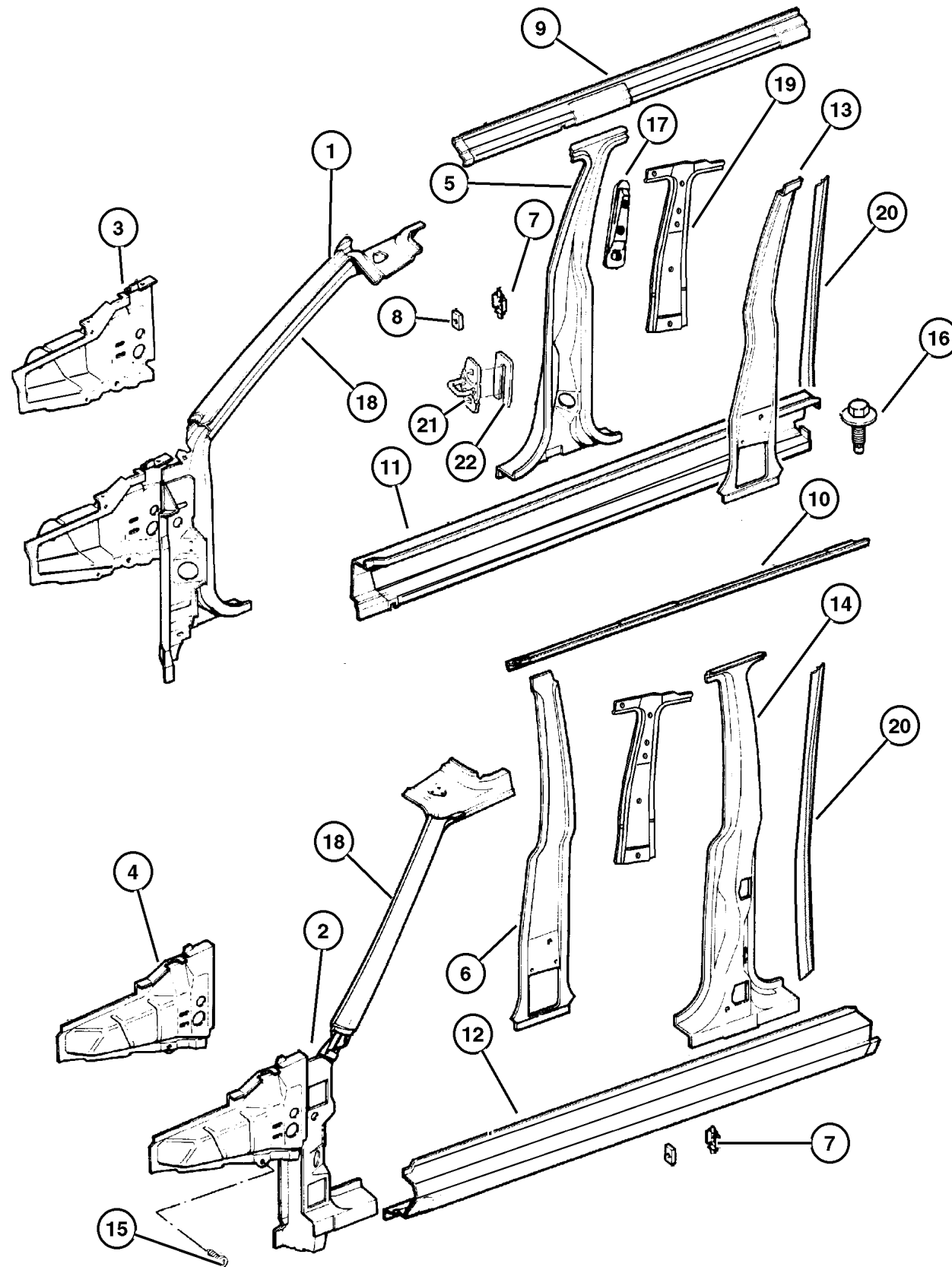
JEEP CHEROKEE (XJ)

SERIES	LINE	BODY	ENGINE	TRANSMISSION
P = Limited	J = LHD (4WD)	74=4 Dr. (101.4 WB)	ENC, EN0 = 2.5L 4 Cyl Turbo	DDD = 5 Speed Manual
S = Limited	U = RHD (4WD)	72=2 Dr. (101.4 WB)	ERH, ER0 = 4.0L Power Tech	DGS = 4 Speed Auto AISIN
H = Sport	T = LHD (2WD)			DG0 = All Automatic Trans
L = SE	B = RHD (2WD)			DBB = All Manual Trans

AR = Use as required - = Non illustrated part # = New this model year

May 2, 2002

**Panels, Body Side, 4 Door
Figure SXJ-820**



ITEM	PART NUMBER	QTY	LINE	BODY	DESCRIPTION
1					PILLAR, Front
	55235 620AD	1		74	Right
	55235 621AD	1		74	Left
2	55235 621AD	1		74	PILLAR, Front, Left
3	55175 507AC	1		74	PANEL, Cowl Side, Right
4	55175 507AC	1		74	PANEL, Cowl Side, Left
5	5523 5466	1		74	PILLAR, Center
6	55235 695AB	1		74	REINFORCEMENT, Center Pillar, Left
7	5525 6174	1		74	RETAINER, Door Lock Striker
8	4674 669	2		74	PLATE, Liftgate Striker
9	55235 328AB	1		74	RAIL, Roof Side, Right
10	55235 329AB	1		74	RAIL, Roof Side, Left
11	5523 5090	1		74	PANEL, Rocker Extension, Right
12	5523 5091	1		74	PANEL, Rocker Extension, Left
13	55235 694AB	1		74	REINFORCEMENT, Center Pillar, Right
14	5523 5467	1		74	PILLAR, Center
15					RIVET, Blind Expansion (R-Lok), (NOT SERVICED)
16	6101 455	4			SCREW AND WASHER, Hex Head, M6x1x20
17	5523 5692	1		74	TAPPING PLATE, Shoulder Belt
18					REINFORCEMENT, Front Pillar
	55235 640AB	1		74	Right
	55235 641AB	1		74	Left
19					REINFORCEMENT, Seat Belt
	55235 288AB	1		74	Right
	55235 289AB	1		74	Left
20	55235 791AB	2		74	WEATHERSTRIP, B Pillar Secondary
21	4520 288	2		74	STRIKER, Door Latch
22					SPACER, Door Latch Striker
	5507 5483	AR		74	2.0/2.5 Thick
	4520 289	AR			
-23	55363 274AA	1			LABEL, Mercury Warning, B Pillar Below The Striker

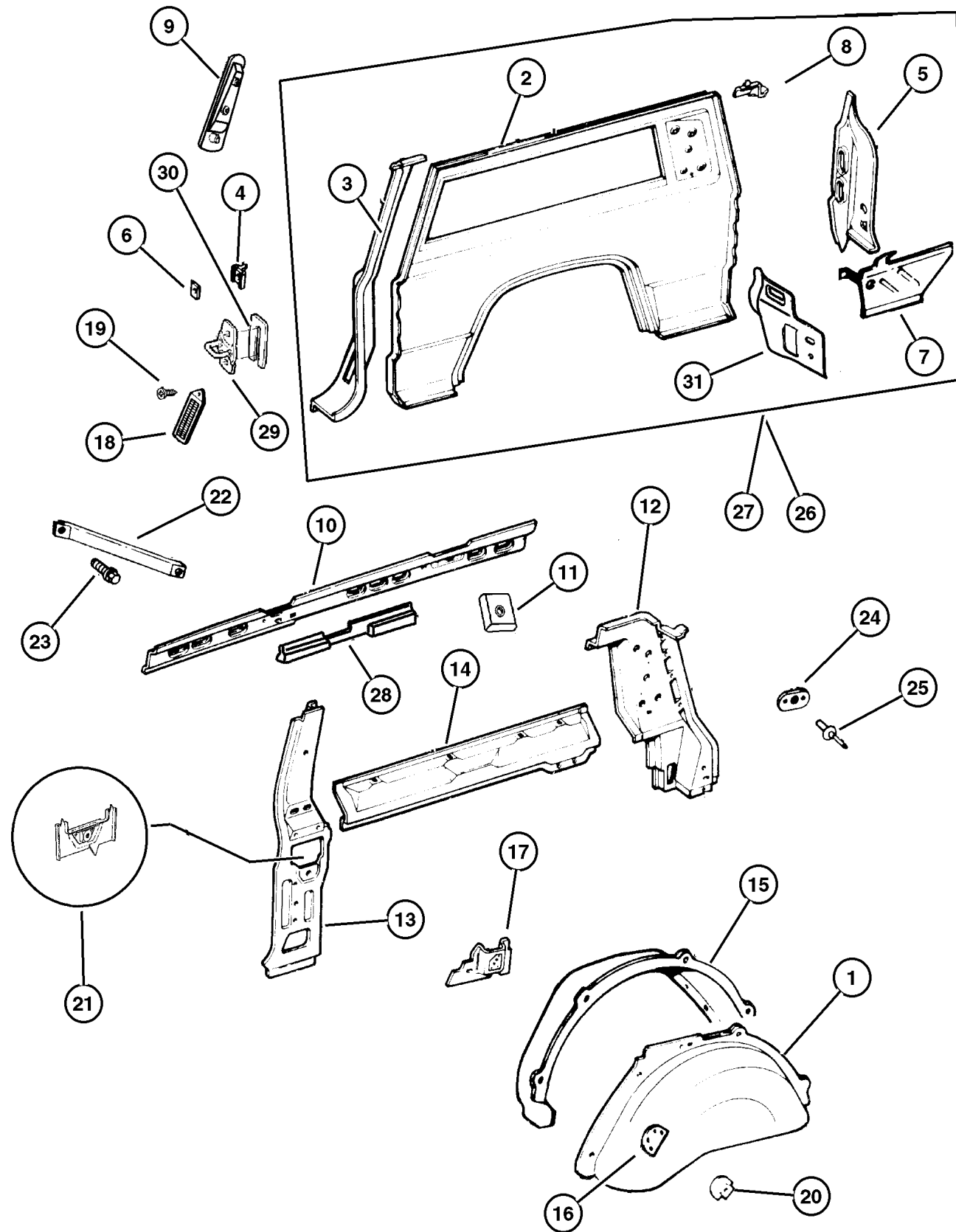
JEEP CHEROKEE (XJ)

SERIES	LINE	BODY	ENGINE	TRANSMISSION
P = Limited	J = LHD (4WD)	74=4 Dr. (101.4 WB)	ENC, EN0 = 2.5L 4 Cyl Turbo	DDD = 5 Speed Manual
S = Limited	U = RHD (4WD)	72=2 Dr. (101.4 WB)	ERH, ER0 = 4.0L Power Tech	DGS = 4 Speed Auto AISIN
H = Sport	T = LHD (2WD)			DG0 = All Automatic Trans
L = SE	B = RHD (2WD)			DBB = All Manual Trans

AR = Use as required - = Non illustrated part # = New this model year

May 2, 2002

**Panels, Rear Quarter, 2 Door
Figure SXJ-910**



ITEM	PART NUMBER	QTY	LINE	BODY	DESCRIPTION
1					WHEELHOUSE, Rear Inner
	5500 0147	1	J, T, U	72	Left
	5502 7694	1	J, T, U	72	Right
2					PANEL, Quarter
	5523 5426	1	J, T, U	72	Right
	5523 5427	1	J, T, U	72	Left
3					PILLAR, Rear Cargo Door Lock
	5517 5674	1	J, T, U	72	Right
	5517 5675	1	J, T, U	72	Left
4	4674 669	1	J, T, U	72	PLATE, Liftgate Striker
5					PANEL, Taillamp Mounting
	5523 5510	1	J, T, U	72	Right
	5523 5511	1	J, T, U	72	Left
6	4520 288	2			STRIKER, Door Latch
7					EXTENSION, Rear Floor Pan
	5517 5960	1	J, T, U	72	Right
	5517 5961	1	J, T, U	72	Left
8					EXTENSION, Quarter Panel
	5517 6082	1	J, T, U	72	Right
	5517 6083	1	J, T, U	72	Left
9	5523 5692	1	J, T, U	72	TAPPING PLATE, Shoulder Belt
10					RAIL, Roof Side
	55235 846AA	1	J, T, U	72	Right
	55235 847AA	1	J, T, U	72	Left
11	4490 111	1	J, T, U	72	TAPPING PLATE
12					PILLAR, Liftgate Opening
	5517 6094	1	J, T, U	72	Right
	5517 6095	1	J, T, U	72	Left
13					REINFORCEMENT, Body Lock Pillar
	55345 808AB	1	J, T, U	72	Right
	55345 809AB	1	J, T, U	72	Left
14					RAIL, Rear Quarter Belt
	55235 382AB	1	J, T, U	72	Right
	55344 583AB	1	J, T, U	72	Left
15					WHEELHOUSE, Rear Outer
	5523 5346	1	J, T, U	72	Right
	5523 5347	1	J, T, U	72	Left
16	5502 6758	1	J, T, U	72	DOUBLER, Wheelhouse
17					BRACKET, Seat
	5500 1270	1	J, T, U	72	Right
	5500 1271	1	J, T, U	72	Left
18	5500 1980	2			EXHAUSTER, Quarter Panel
19					SCREW, .164-18x.437, (NOT SERVICED)

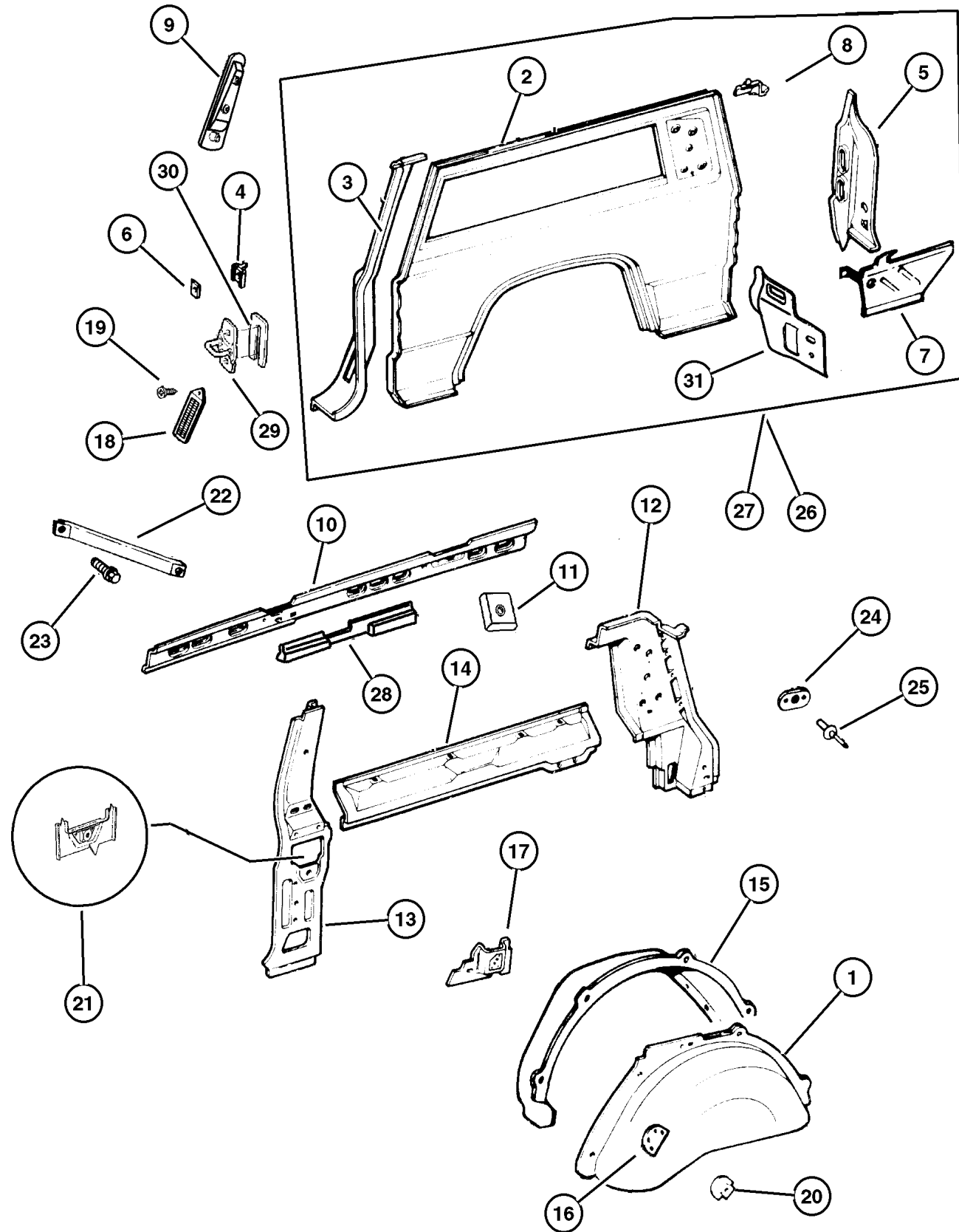
JEEP CHEROKEE (XJ)

SERIES	LINE	BODY	ENGINE	TRANSMISSION
P = Limited	J = LHD (4WD)	74=4 Dr. (101.4 WB)	ENC, EN0 = 2.5L 4 Cyl Turbo	DDD = 5 Speed Manual
S = Limited	U = RHD (4WD)	72=2 Dr. (101.4 WB)	ERH, ER0 = 4.0L Power Tech	DGS = 4 Speed Auto AISIN
H = Sport	T = LHD (2WD)			DG0 = All Automatic Trans
L = SE	B = RHD (2WD)			DBB = All Manual Trans

AR = Use as required - = Non illustrated part # = New this model year

May 2, 2002

**Panels, Rear Quarter, 2 Door
Figure SXJ-910**



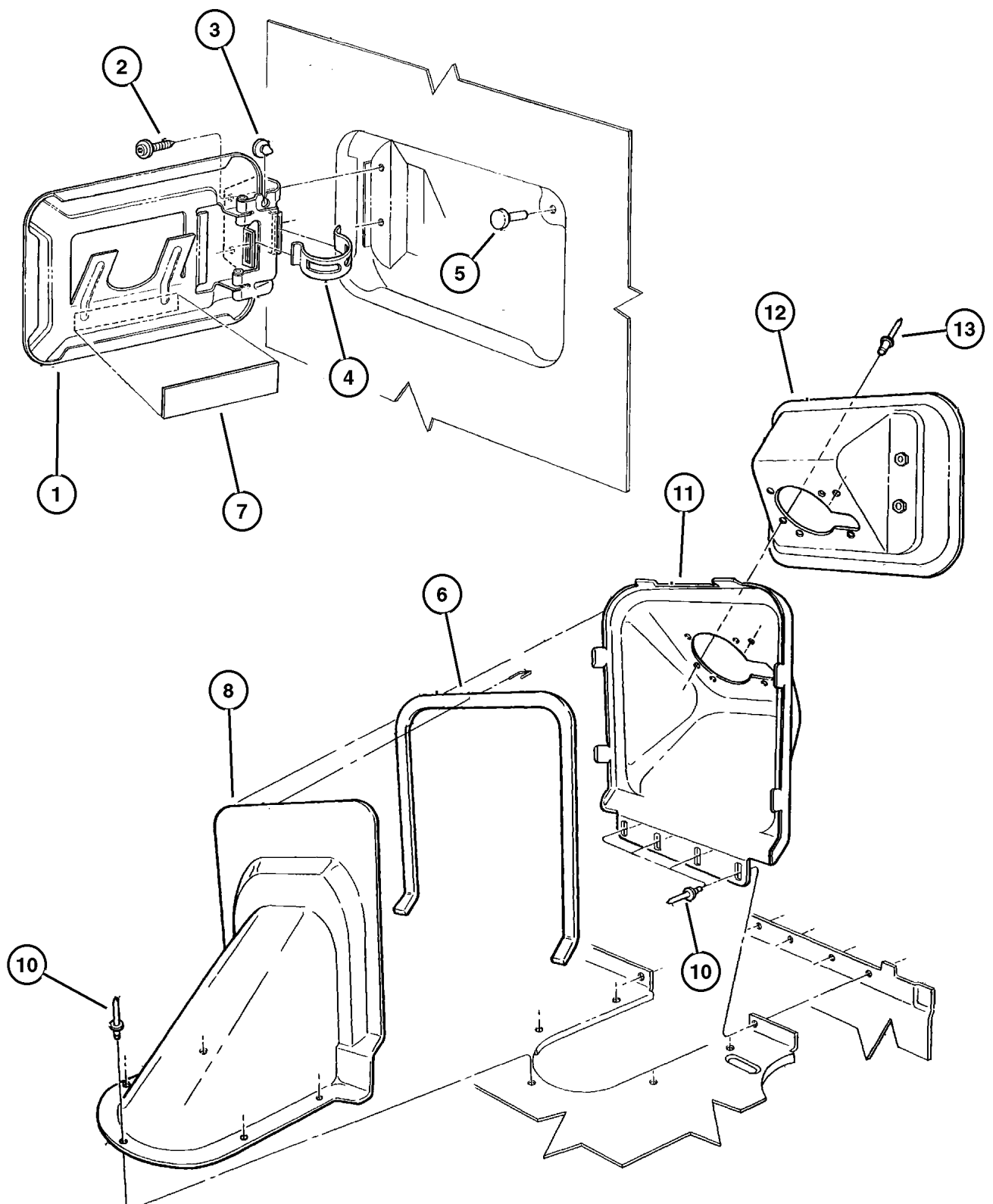
ITEM	PART NUMBER	QTY	LINE	BODY	DESCRIPTION
20	5500 1231	1	J, T, U	72	BRACKET, Seat
21	5534 5291	1	J, T, U	72	BRACKET, Seat Belt Retractor
22	5500 6218	2	J, T, U	72	BRACE, Door Lock
23	3420 2036	4	J, T, U	72	SCREW, Hex Head, M8x1.25x25
24	4490 111	1	J, T, U	72	TAPPING PLATE
25	3420 1197	2			RIVET, Blind, M3.17x10.00
26	5523 5606	1	J, T, U	72	PANEL, Rear Body, Right
27	5523 5607	1	J, T, U	72	PANEL, Body Side, Left
28	55006 988AC	2	J, T, U	72	REINFORCEMENT
29	4520 288	2			STRIKER, Door Latch
30					SPACER, Door Latch Striker
	4520 289	AR			
	5507 5483	AR			2.0/2.5 Thick
31					REINFORCEMENT, Rear Corner Panel
	5523 5600	1	J, T, U	72	Right
	5523 5601	1	J, T, U	72	Left

JEEP CHEROKEE (XJ)

SERIES	LINE	BODY	ENGINE	TRANSMISSION
P = Limited	J = LHD (4WD)	74=4 Dr. (101.4 WB)	ENC, EN0 = 2.5L 4 Cyl Turbo	DDD = 5 Speed Manual
S = Limited	U = RHD (4WD)	72=2 Dr. (101.4 WB)	ERH, ER0 = 4.0L Power Tech	DGS = 4 Speed Auto AISIN
H = Sport	T = LHD (2WD)			DG0 = All Automatic Trans
L = SE	B = RHD (2WD)			DBB = All Manual Trans

AR = Use as required - = Non illustrated part # = New this model year

Fuel Filler Housing & Door Figure SXJ-920



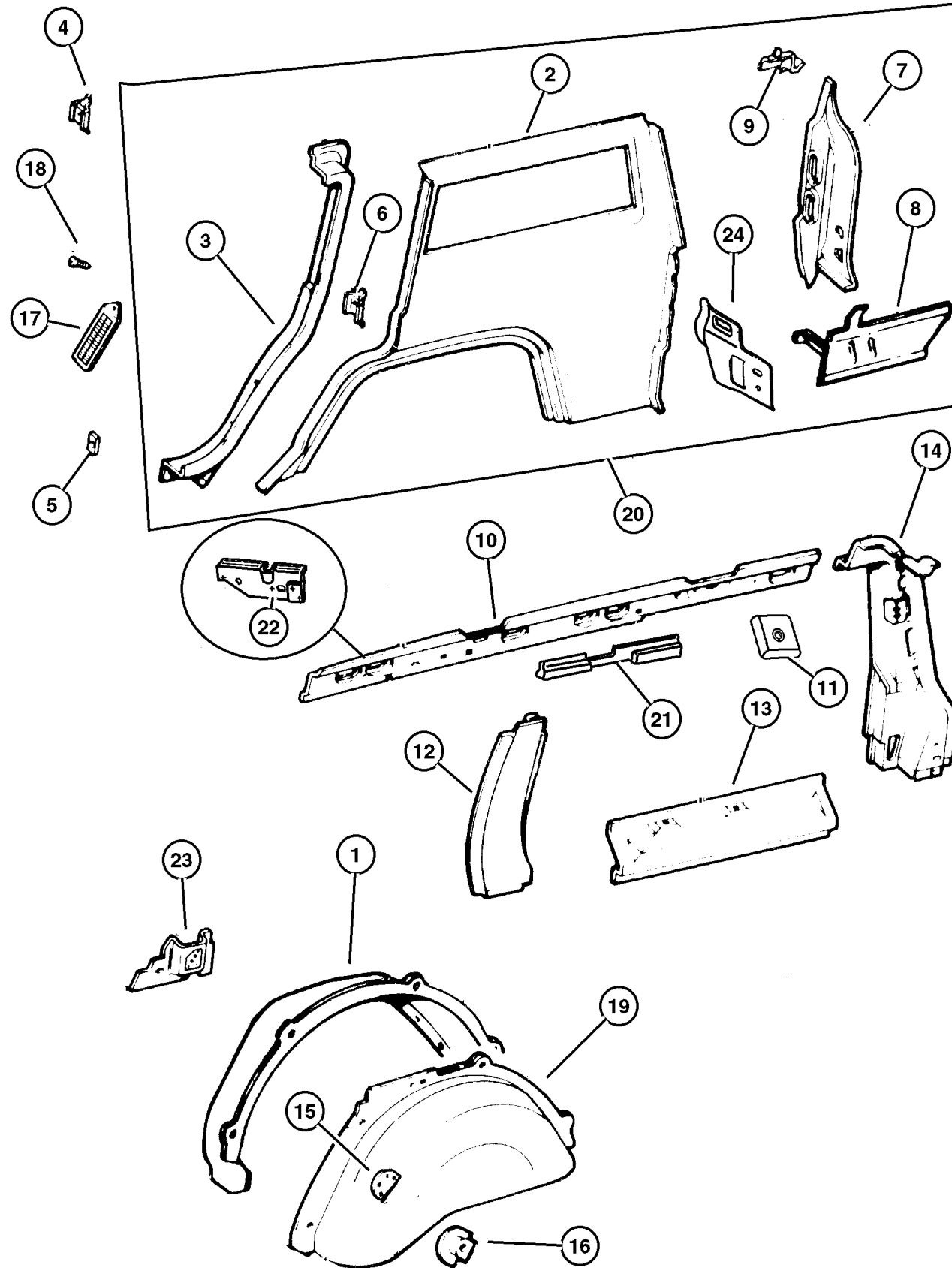
ITEM	PART NUMBER	QTY	LINE	BODY	DESCRIPTION
1	55000 819AD	1			DOOR, Fuel Fill
2	3420 1661	2			SCREW AND WASHER, Button Head
3	55235 953AA	1			BUMPER, Fuel Door
4	5500 4206	1			SPRING, Fuel Filler Door
5	55235 953AA	1			BUMPER, Fuel Door
6	5534 5178	1			SEAL, Fuel Filler Flange
7	J546 4900	1			LABEL, Fuel
8	5534 5623	1			HOUSING, Fuel Filler
-9	5534 5178	1			SEAL, Fuel Filler Flange
10	3420 1208	5			RIVET, M4.8x13.23
11	55235 533AC	1			EXTENSION, Fuel Filler Housing
12	52100 230AD	1		74	HOUSING, Fuel Filler
		1	J, T, U	72	
13	3420 1684	2			RIVET, M3.18x2.37

JEEP CHEROKEE (XJ)				
SERIES	LINE	BODY	ENGINE	TRANSMISSION
P = Limited	J = LHD (4WD)	74=4 Dr. (101.4 WB)	ENC, EN0 = 2.5L 4 Cyl Turbo	DDD = 5 Speed Manual
S = Limited	U = RHD (4WD)	72=2 Dr. (101.4 WB)	ERH, ER0 = 4.0L Power Tech	DGS = 4 Speed Auto AISIN
H = Sport	T = LHD (2WD)			DG0 = All Automatic Trans
L = SE	B = RHD (2WD)			DBB = All Manual Trans

AR = Use as required - = Non illustrated part # = New this model year

May 2, 2002

**Panels, Rear Quarter, 4 Door
Figure SXJ-930**



ITEM	PART NUMBER	QTY	LINE	BODY	DESCRIPTION
1					WHEELHOUSE, Rear Outer
	5523 5346	1		74	Right
	5523 5347	1		74	Left
2					PANEL, Quarter
	5523 5424	1		74	Right
	5523 5425	1		74	Left
3					PILLAR, Front Door Lock
	5517 5672	1		74	Right
	5517 5673	1		74	Left
4	4674 669	2		74	PLATE, Liftgate Striker
5	4520 288	2			STRIKER, Door Latch
6	5525 6174	1		74	RETAINER, Door Lock Striker
7					PANEL, Taillamp Mounting
	5523 5510	1		74	Right
	5523 5511	1		74	Left
8					EXTENSION, Rear Floor Pan
	5517 5960	1		74	Right
	5517 5961	1		74	Left
9	5517 6084	1		74	EXTENSION, Quarter Panel, Right
10					RAIL, Roof Side
	55235 332AB	1		74	Right
	55235 333AB	1		74	Left
11	4490 111	1		74	TAPPING PLATE
12					REINFORCEMENT, Body Lock Pillar
	55235 792AA	1		74	Right
	55235 793AA	1		74	Left
13					RAIL, Rear Quarter Belt
	55235 794AA	1		74	Right
	55235 795AA	1		74	Left
14					PILLAR, Liftgate Opening
	5517 6096	1		74	Right
	5517 6097	1		74	Left
15	5502 6758	1		74	DOUBLER, Wheelhouse
16	5500 1231	1		74	BRACKET, Seat
17	5500 1980	2			EXHAUSTER, Quarter Panel
18					SCREW, .164-18x.437, (NOT SERVICED)
19					WHEELHOUSE, Rear Inner
	5500 0147	1		74	Left
	5502 7694	1		74	Right
20					PANEL, Quarter
	5523 5604	1		74	Right
	5523 5605	1		74	Left

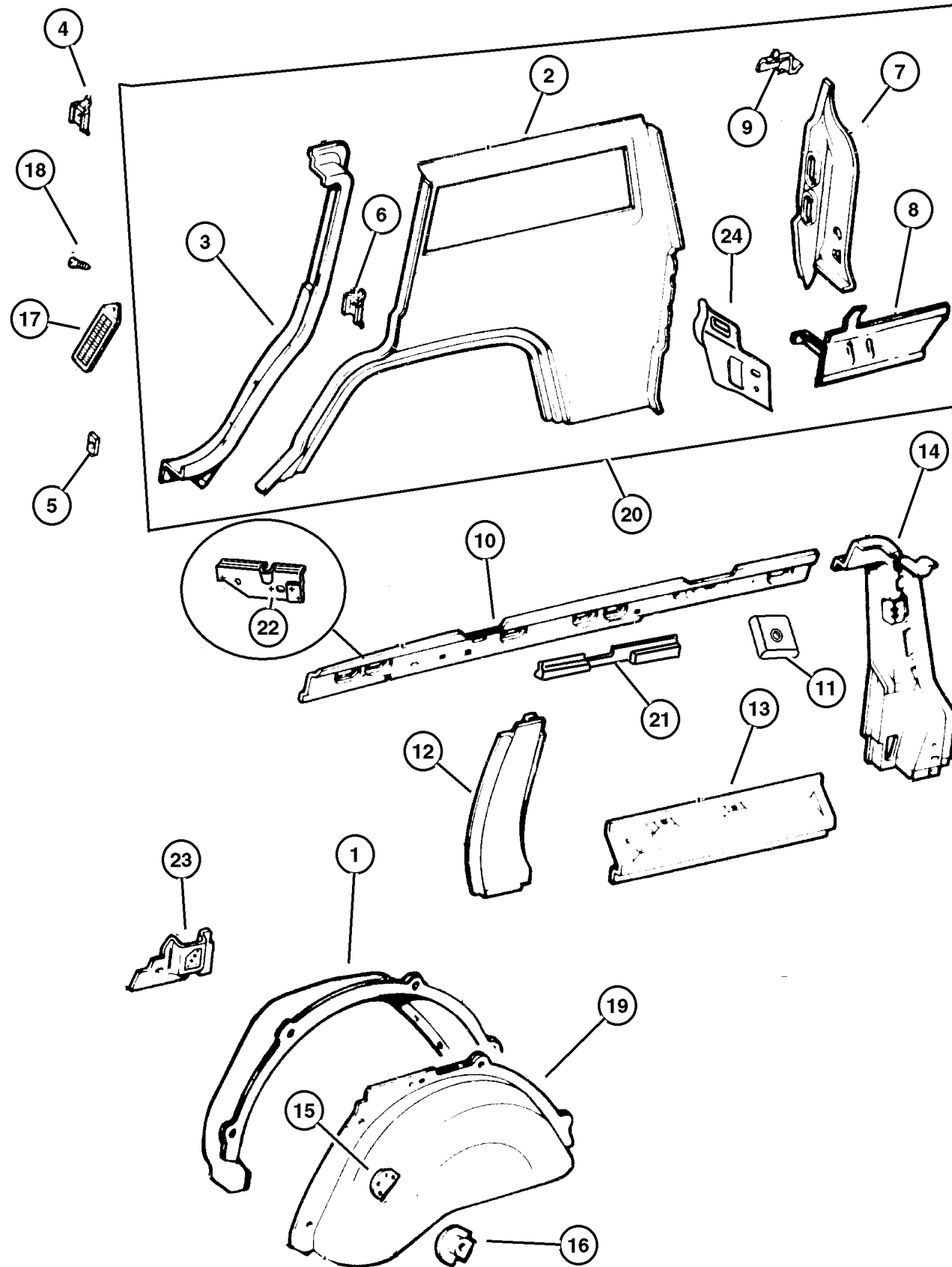
JEEP CHEROKEE (XJ)

SERIES	LINE	BODY	ENGINE	TRANSMISSION
P = Limited	J = LHD (4WD)	74=4 Dr. (101.4 WB)	ENC, EN0 = 2.5L 4 Cyl Turbo	DDD = 5 Speed Manual
S = Limited	U = RHD (4WD)	72=2 Dr. (101.4 WB)	ERH, ER0 = 4.0L Power Tech	DGS = 4 Speed Auto AISIN
H = Sport	T = LHD (2WD)			DG0 = All Automatic Trans
L = SE	B = RHD (2WD)			DBB = All Manual Trans

AR = Use as required - = Non illustrated part # = New this model year

May 2, 2002

**Panels, Rear Quarter, 4 Door
Figure SXJ-930**



ITEM	PART NUMBER	QTY	LINE	BODY	DESCRIPTION
21	55006 988AC	2		74	REINFORCEMENT
22					REINFORCEMENT
	5523 5602	1		74	Right
	5523 5603	1		74	Left
23					BRACKET, Seat
	5500 1270	1		74	Right
	5500 1231	1		74	Left
24					REINFORCEMENT, Rear Corner Panel
	5523 5600	1		74	Right
	5523 5601	1		74	Left

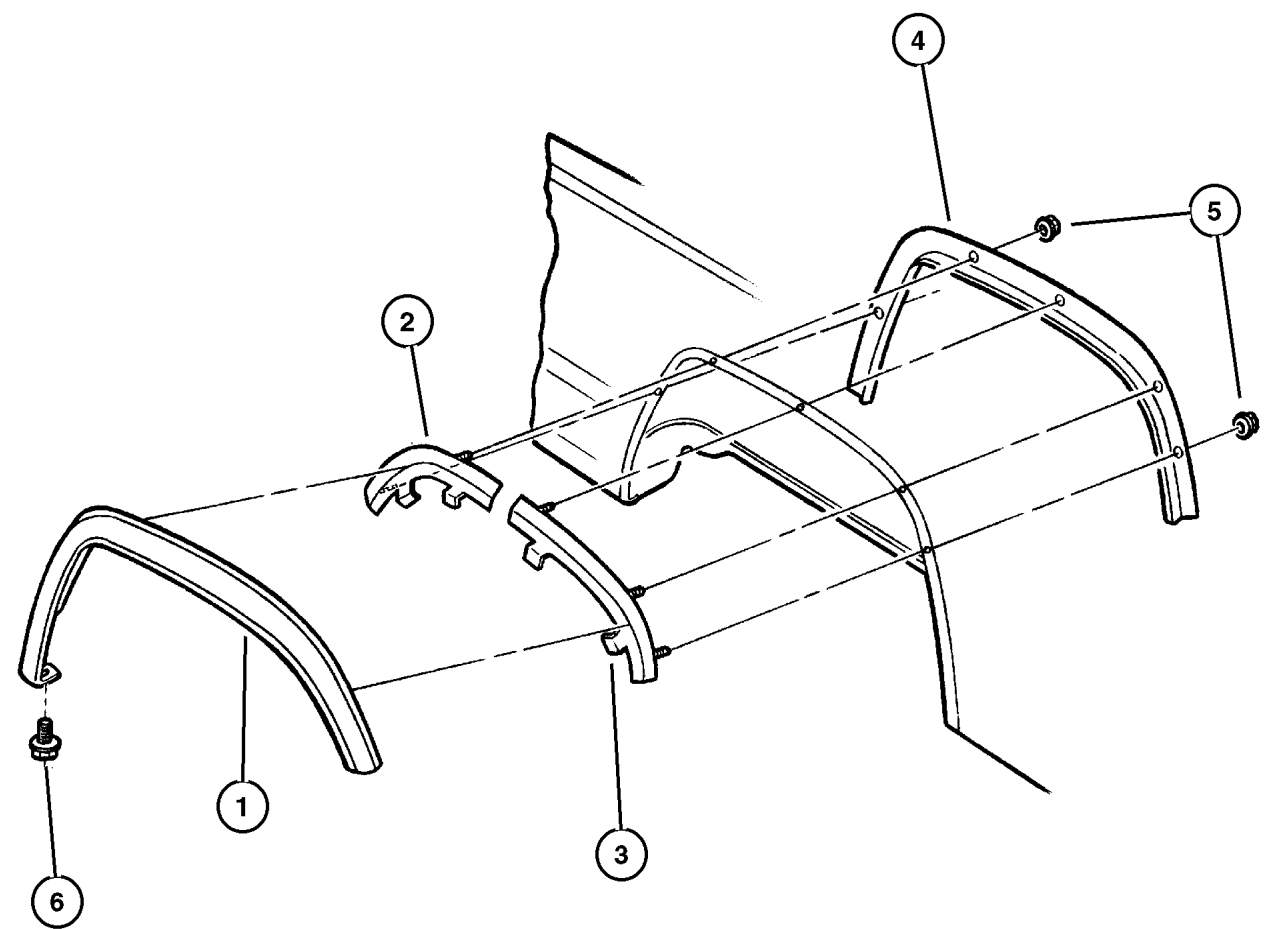
JEEP CHEROKEE (XJ)				
SERIES	LINE	BODY	ENGINE	TRANSMISSION
P = Limited	J = LHD (4WD)	74=4 Dr. (101.4 WB)	ENC, EN0 = 2.5L 4 Cyl Turbo	DDD = 5 Speed Manual
S = Limited	U = RHD (4WD)	72=2 Dr. (101.4 WB)	ERH, ER0 = 4.0L Power Tech	DGS = 4 Speed Auto AISIN
H = Sport	T = LHD (2WD)			DG0 = All Automatic Trans
L = SE	B = RHD (2WD)			DBB = All Manual Trans

AR = Use as required - = Non illustrated part # = New this model year

May 2, 2002

**Appliques, Rear Quarter Panel
Figure SXJ-940**

ITEM	PART NUMBER	QTY	LINE	BODY	DESCRIPTION
1					APPLIQUE, Fender Wheel Opening
	5FW74 DX8AC	1	J, T, U		[K3X], Right
		1	J, T, U	74	[K3X], Right
	5FW74 PR4AC	1	J, T, U	74	[K3R], Right
		1	J, T, U		[K3R], Right
	5FW74 SG8AC	1	J, T, U		[K3G], Right
		1	J, T, U	74	[K3G], Right
	5FW74 SW1AC	1	J, T, U		[K3N], Right
		1	J, T, U	74	[K3N], Right
	5FW74 VYHAC	1	J, T, U		[K3Y], Right
	5FW74 WBTAC	1	J, T, U		[K3B], Right
		1	J, T, U	74	[K3B], Right
	5FW74 WU7AC	1	J, T, U	74	[K3U], Right
		1	J, T, U		[K3U], Right
	5FW74 XBQAC	1	J, T, U		[K3Q], Right
		1	J, T, U	74	[K3Q], Right
	5FW74 XS5AC	1	J, T, U		[K3L], Right
		1	J, T, U	74	[K3L], Right
	5FW74 XV3AC	1	J, T, U		[K3V], Right
	5FW75 DX8AC	1	J, T, U		[K3X], Left
		1	J, T, U	74	[K3X], Left
	5FW75 PR4AC	1	J, T, U		[K3R], Left
		1	J, T, U	74	[K3R], Left
	5FW75 SG8AC	1	J, T, U	74	[K3G], Left
		1	J, T, U		[K3G], Left
	5FW75 SW1AC	1	J, T, U	74	[K3N], Left
		1	J, T, U		[K3N], Left
	5FW75 VYHAC	1	J, T, U		[K3Y], Left
	5FW75 WBTAC	1	J, T, U	74	[K3B], Left
		1	J, T, U		[K3B], Left
	5FW75 WU7AC	1	J, T, U	74	[K3U], Left
		1	J, T, U		[K3U], Left
	5FW75 XBQAC	1	J, T, U		[K3Q], Left
		1	J, T, U	74	[K3Q], Left
	5FW75 XS5AC	1	J, T, U		[K3L], Left
		1	J, T, U	74	[K3L], Left
	5FW75 XV3AC	1	J, T, U		[K3V], Left
	5FW76 DX9AC	1			[K3Z], Right
	5FW77 DX9AC	1			[K3Z], Left
2					RETAINER, Applique
	55155 678AD	1			Right
	55155 679AD	1			Left
3					RETAINER, Applique



JEEP CHEROKEE (XJ)

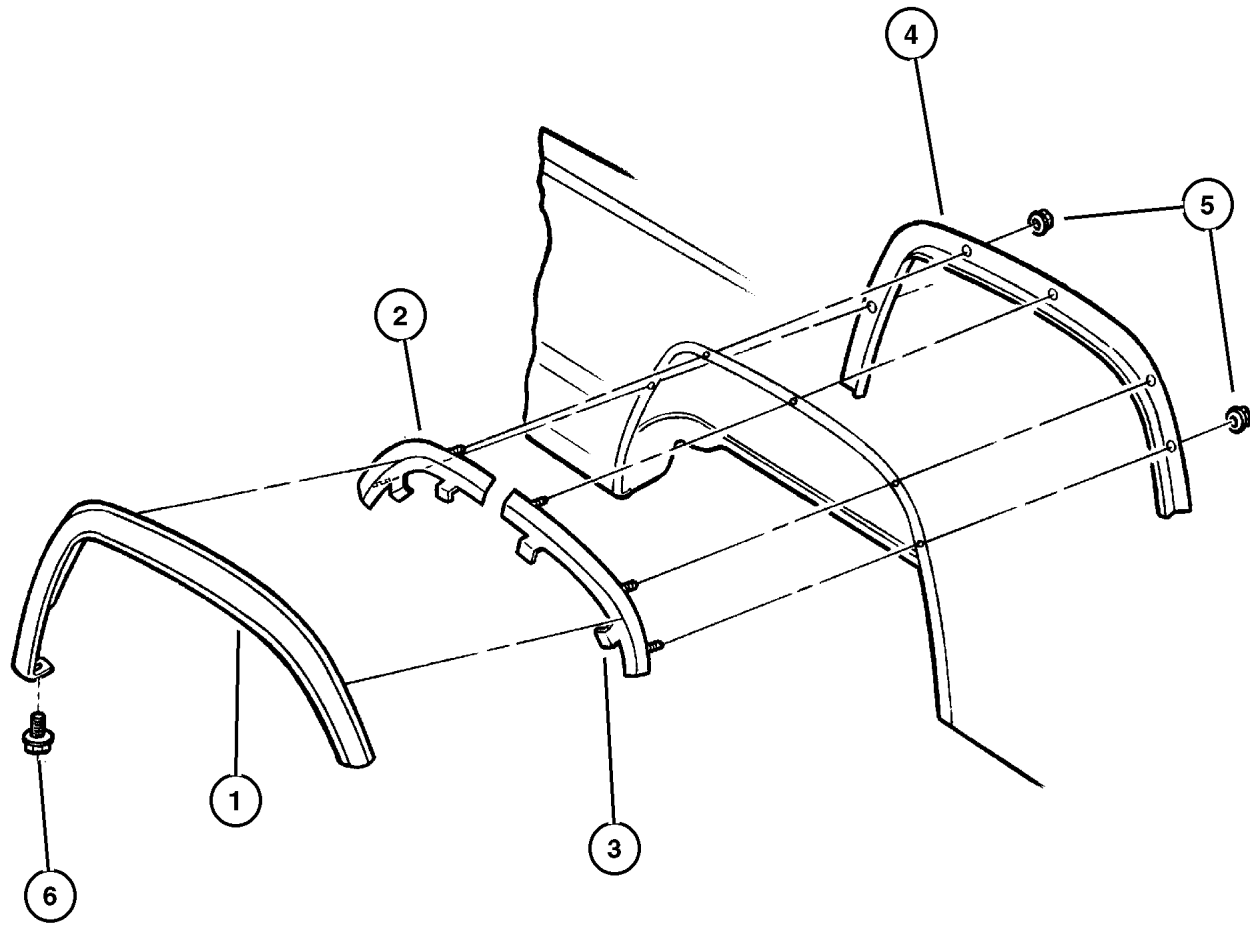
SERIES	LINE	BODY	ENGINE	TRANSMISSION
P = Limited	J = LHD (4WD)	74=4 Dr. (101.4 WB)	ENC, EN0 = 2.5L 4 Cyl Turbo	DDD = 5 Speed Manual
S = Limited	U = RHD (4WD)	72=2 Dr. (101.4 WB)	ERH, ER0 = 4.0L Power Tech	DGS = 4 Speed Auto AISIN
H = Sport	T = LHD (2WD)			DG0 = All Automatic Trans
L = SE	B = RHD (2WD)			DBB = All Manual Trans

AR = Use as required - = Non illustrated part # = New this model year

May 2, 2002

**Appliques, Rear Quarter Panel
Figure SXJ-940**

ITEM	PART NUMBER	QTY	LINE	BODY	DESCRIPTION
	55155 680AD	1			Right
	55155 681AD	1			Left
4					LINER, Fender Side
	5517 5898	1			Right
	5517 5899	1			Left
5	J420 0408	10			NUT AND WASHER, Hex Nut-Coned Washer, M5 x 0.80
6	0153 185	2			SCREW, .164-18x.500



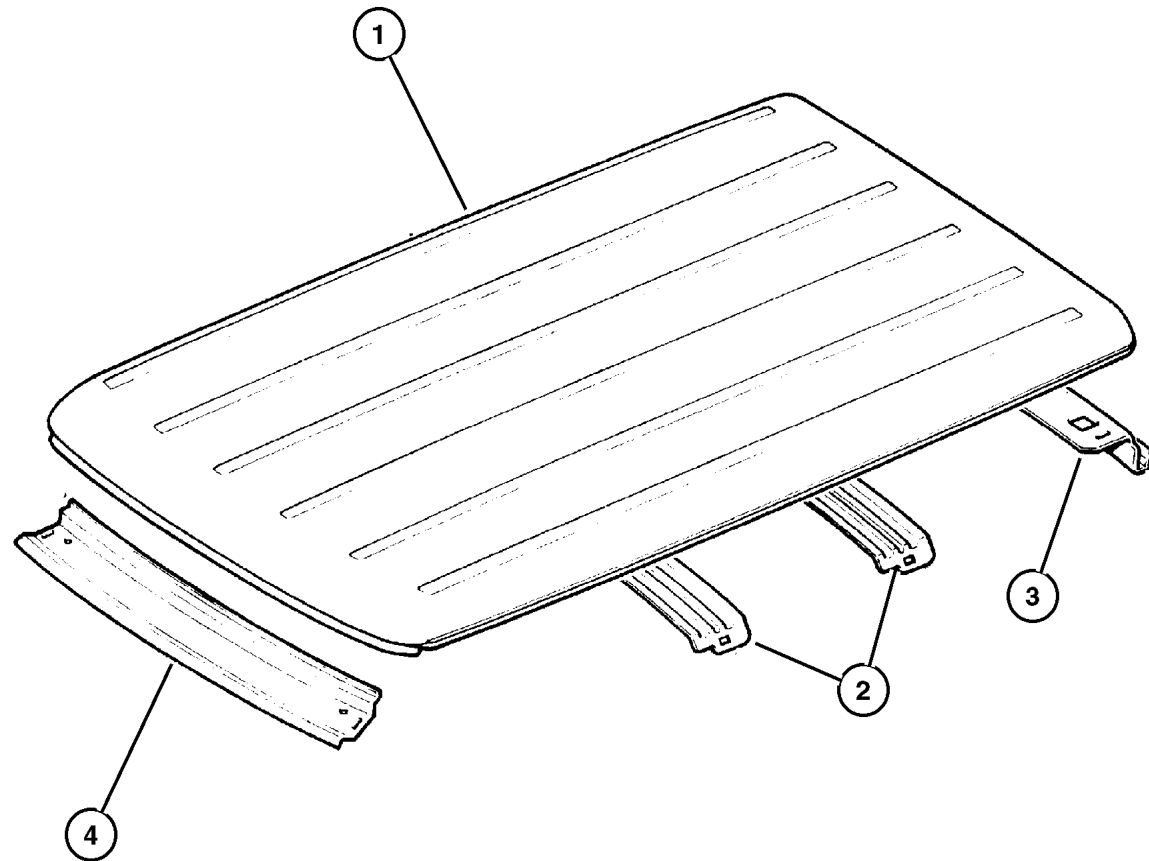
JEEP CHEROKEE (XJ)				
SERIES	LINE	BODY	ENGINE	TRANSMISSION
P = Limited	J = LHD (4WD)	74=4 Dr. (101.4 WB)	ENC, EN0 = 2.5L 4 Cyl Turbo	DDD = 5 Speed Manual
S = Limited	U = RHD (4WD)	72=2 Dr. (101.4 WB)	ERH, ER0 = 4.0L Power Tech	DGS = 4 Speed Auto AISIN
H = Sport	T = LHD (2WD)			DG0 = All Automatic Trans
L = SE	B = RHD (2WD)			DBB = All Manual Trans

AR = Use as required - = Non illustrated part # = New this model year

May 2, 2002

**Roof Panel
Figure SXJ-1110**

ITEM	PART NUMBER	QTY	LINE	BODY	DESCRIPTION
1	5517 5156	1			PANEL, Roof
2	55000 138AB	2			SUPPORT, Roof
3	55176 169AE	1			PANEL, Liftgate
4	5523 5339	1			HEADER, Windshield

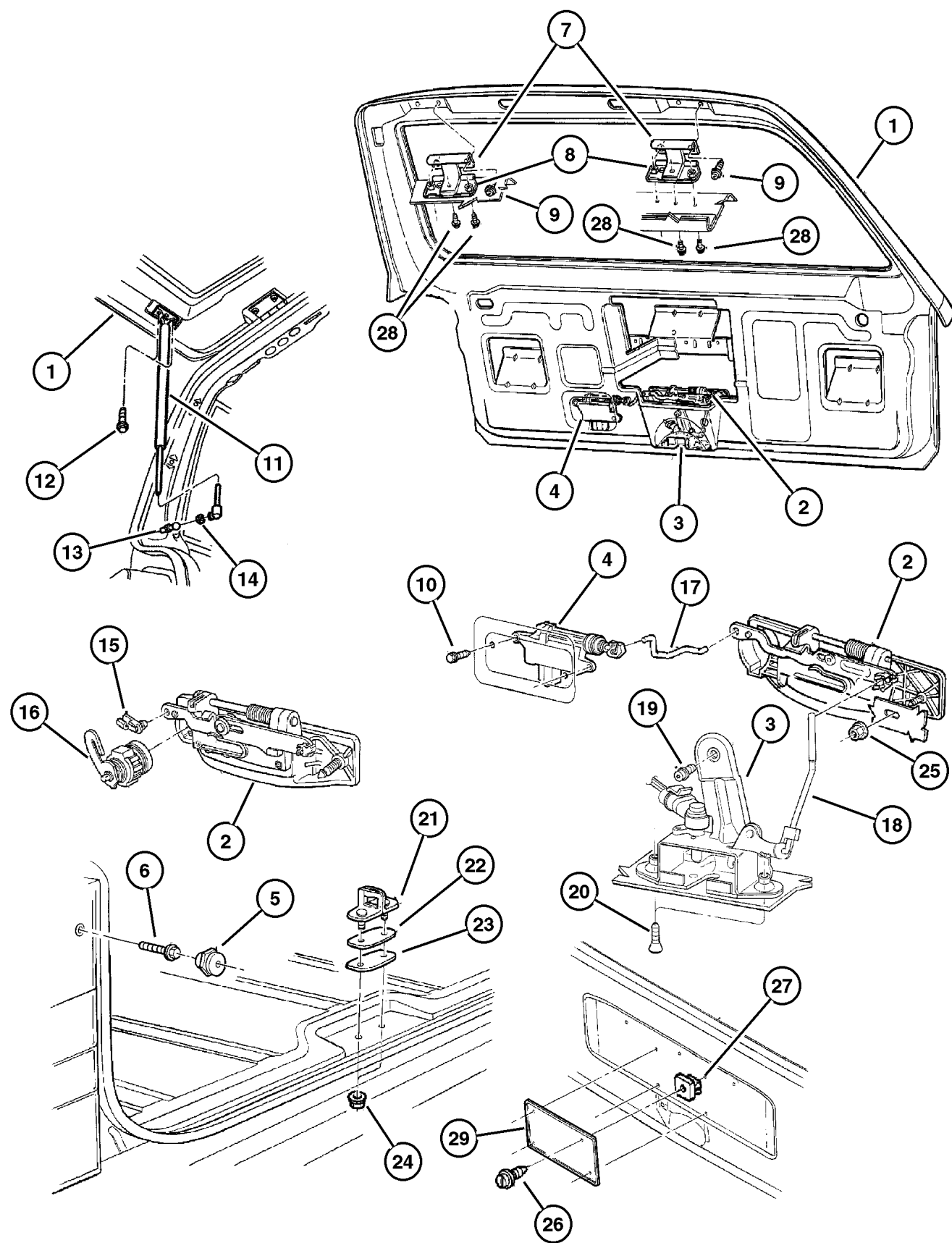


JEEP CHEROKEE (XJ)				
SERIES	LINE	BODY	ENGINE	TRANSMISSION
P = Limited	J = LHD (4WD)	74=4 Dr. (101.4 WB)	ENC, EN0 = 2.5L 4 Cyl Turbo	DDD = 5 Speed Manual
S = Limited	U = RHD (4WD)	72=2 Dr. (101.4 WB)	ERH, ER0 = 4.0L Power Tech	DGS = 4 Speed Auto AISIN
H = Sport	T = LHD (2WD)			DG0 = All Automatic Trans
L = SE	B = RHD (2WD)			DBB = All Manual Trans

AR = Use as required - = Non illustrated part # = New this model year

May 2, 2002

Lift Door, Latch and Hinges
Figure SXJ-1310



ITEM	PART NUMBER	QTY	LINE	BODY	DESCRIPTION
1	55174 895AF	1			LIFTGATE
2	55076 016AF	1			HANDLE, Liftgate
3	55235 643AC	1			LATCH, Liftgate
4	55295 716AB	1			ACTUATOR, Liftgate Lock
5	5525 4847	2			BUMPER, Liftgate
6	6035 646	2			BOLT, Hex Head, .312-18
7	55076 225AD	2			HINGE, Liftgate
8	5523 5699	2			SEAL, Hinge
9	6503 757	4			SCREW AND WASHER, Hex Head, M8-1.25x22.00
10					SCREW, .250-14x.750, (NOT SERVICED)
11	55076 208AB	2			PROP, Liftgate
12					SCREW, M6x1.00x20, (NOT SERVICED)
13	55075 205AB	2			BALL STUD, Liftgate Glass
14					WASHER, (NOT SERVICED)
15	4658 677	1			CLIP, Latch Link
16					LOCK CYLINDER, Decklid, See Group 23c, (NOT SERVICED)
17	5507 6377	1			LINK, Latch Locking
18	55075 860AB	1			ROD, Liftgate Handle to Latch
19	6503 154	1			SCREW AND WASHER, Round Head, M8x1.25x20
20	6502 623	2			SCREW, Flat Head, M8x1.25x23
21	5529 6077	1			STRIKER, Door Latch
22	55235 844AA	AR			STRIKER, Seal Plate
23	55235 842AA	1			STRIKER, Seal Plate
24	6101 761	2			NUT, Coned Washer, M10 x 1.50
25	#6501 730	1			NUT, Retainer, M6 x 1.00
26	6502 407	4			SCREW AND WASHER, Hex Head, M6x1x20
27					NUT, (NOT SERVICED)
28	6506 458AA	4			SCREW AND WASHER, Hex Head, M8x1.25x25
29					LICENSE PLATE KIT, (NOT SERVICED)

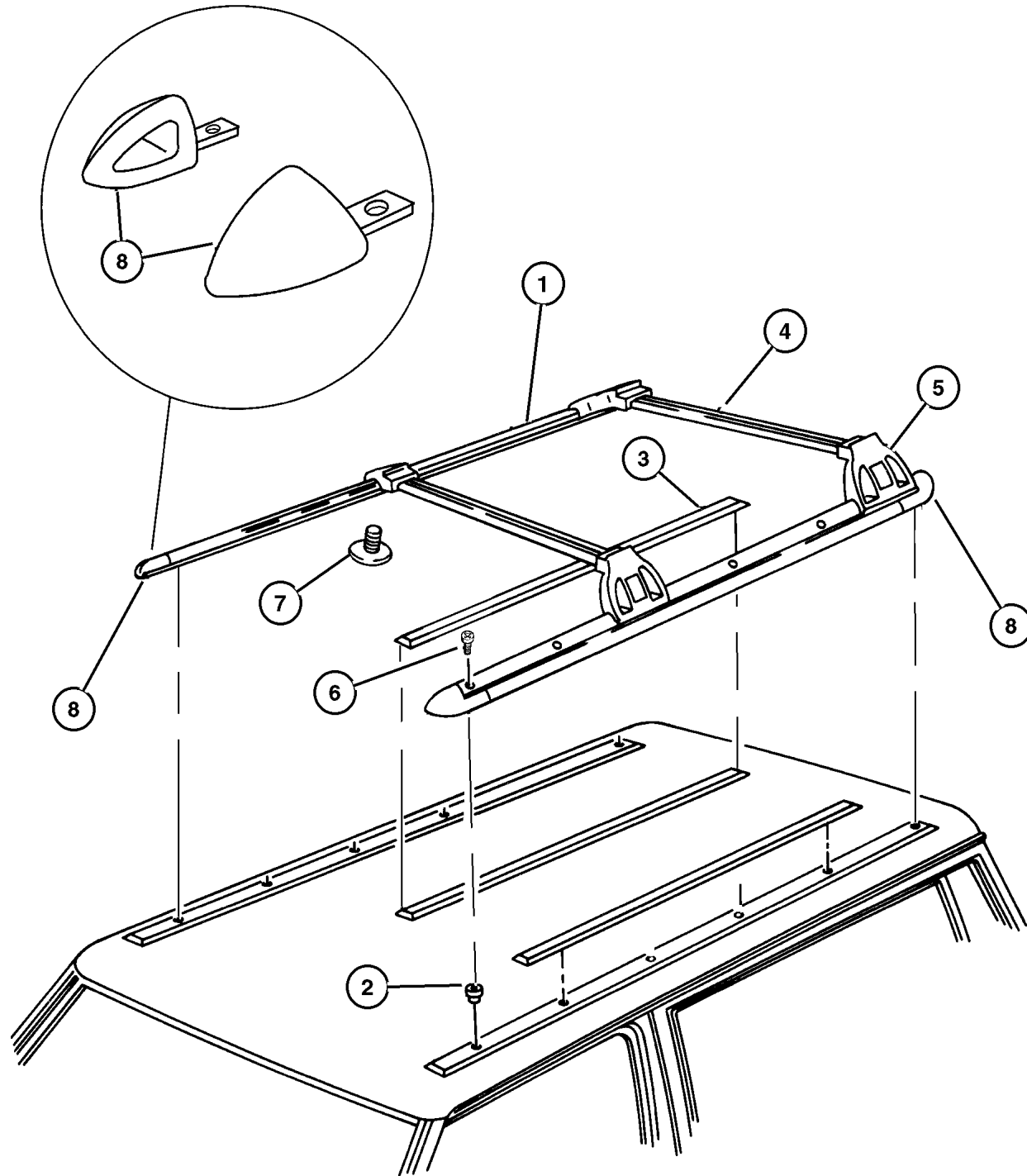
JEEP CHEROKEE (XJ)

SERIES	LINE	BODY	ENGINE	TRANSMISSION
P = Limited	J = LHD (4WD)	74=4 Dr. (101.4 WB)	ENC, EN0 = 2.5L 4 Cyl Turbo	DDD = 5 Speed Manual
S = Limited	U = RHD (4WD)	72=2 Dr. (101.4 WB)	ERH, ER0 = 4.0L Power Tech	DGS = 4 Speed Auto AISIN
H = Sport	T = LHD (2WD)			DG0 = All Automatic Trans
L = SE	B = RHD (2WD)			DBB = All Manual Trans

AR = Use as required - = Non illustrated part # = New this model year

May 2, 2002

Rack, Roof Luggage
Figure SXJ-1610



ITEM	PART NUMBER	QTY	LINE	BODY	DESCRIPTION
1	55235 999AA	2			RAIL, Luggage Rack Side
2	6503 910	10			NUT
3	55075 106AB	4			SKID STRIP, Roof Rack
4	55235 978AA	2			CROSS BAR, Roof Rack
5					STANCHION, LUGG RACK CROSS RAIL
	55076 028AB	2			Right
	55076 029AB	2			Left
6	6505 937AA	10			SCREW, Pan Head
7	6035 499	4			SCREW, Pan Head Tapping, .242-10x.625
8					CAP, Side Rail
	55236 002AA	2			Right
	55236 003AA	2			

JEEP CHEROKEE (XJ)				
SERIES	LINE	BODY	ENGINE	TRANSMISSION
P = Limited	J = LHD (4WD)	74=4 Dr. (101.4 WB)	ENC, EN0 = 2.5L 4 Cyl Turbo	DDD = 5 Speed Manual
S = Limited	U = RHD (4WD)	72=2 Dr. (101.4 WB)	ERH, ER0 = 4.0L Power Tech	DGS = 4 Speed Auto AISIN
H = Sport	T = LHD (2WD)			DG0 = All Automatic Trans
L = SE	B = RHD (2WD)			DBB = All Manual Trans

AR = Use as required - = Non illustrated part # = New this model year

May 2, 2002